

INSTALLATION

Product Manual

Version: 150317US-01-26A-FC



IMPORTANT INFORMATION!

please read the entire manual before starting to assemble and/or using this product. follow the manual thoroughly and keep it for further reference.



AVOID SCRATCHES!

In order to avoid scratching this furniture should be assembled on a soft layer - could be a rug.



IMPROVE EFFICIENCY !

Try to find a partner to install with you, which can speed up the installation efficiency and shorten the time.



ANTI-TOPPLE WARNING !

Overturnd furniture can cause serious or fatal crush injuries. To prevent tipping over, be sure to use the wall attachment, if not included with this product. Please purchase the wall attachment that fit your wall. If unsure, seek professional advice. Please read and follow each step of the instructions carefully.

IMPORTANT !

It is important that any product which is assembled using any kind of screw is re-tightened 2 weeks after assembly, and once every 3 months - in order to assure stability through-out the lifespan of the product.

For regular maintenance and cleaning of the product, for the frame, please use a rag dipped in neutral detergent to fully wipe it, and then dry it with a clean rag. For glass materials, wipe with a rag dampened with water glass cleaner, and then dry with a dry rag.

Do not use an electric screwdriver, and do not use too much force when installing, because the board is easy to break.

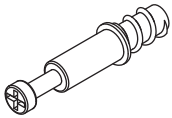


Please prepare the following tools



When installing, please carefully confirm whether each screw corresponds to the manual, accessories with similar shapes can be distinguished by size

A x 62+5



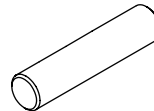
Ø 6 x 35 mm

B x 38+5



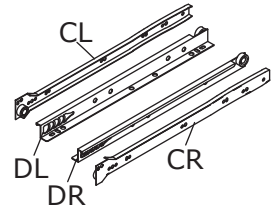
Ø 15 x 11 mm

C x 30+4



Ø 8 x 30 mm

D x 3

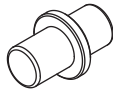


E x 24+2

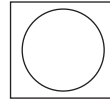


Ø 3 x 12 mm

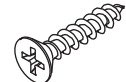
F x 12+1



G x 62

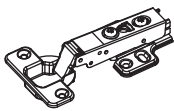


H x 88+4

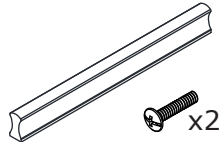


Ø 3.5 x 14 mm

J x 4



K x 9



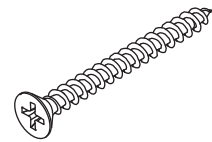
Ø 4 x 20 mm

L x 24+2



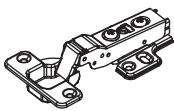
Ø 15 x 9.5 mm

N x 12+1

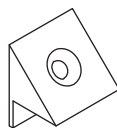


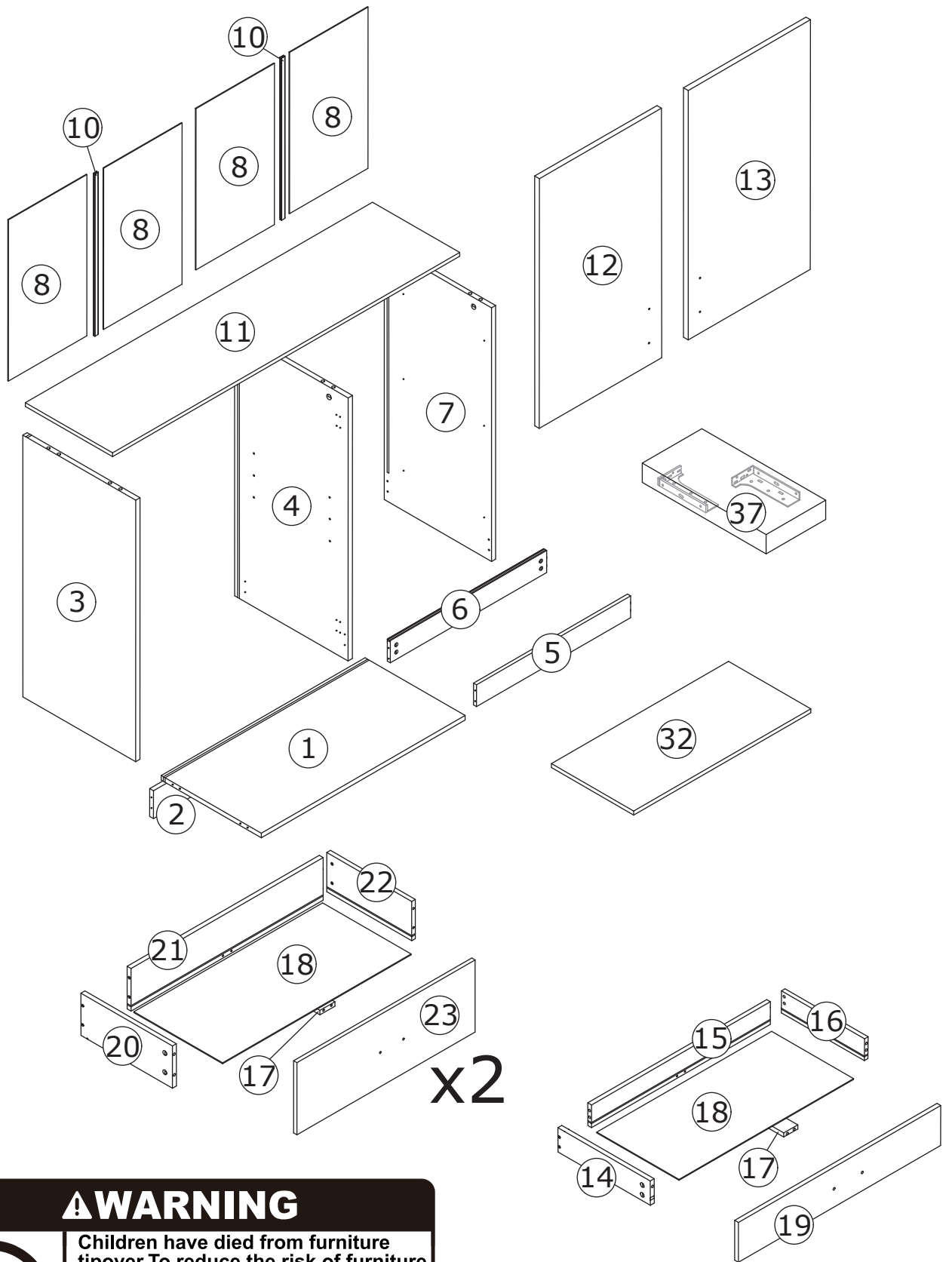
Ø 4 x 30 mm

P x 6



Q x 24+2





⚠ WARNING



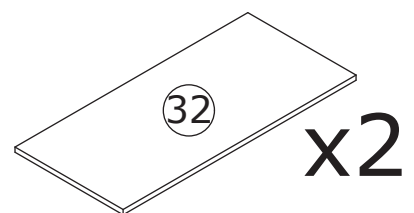
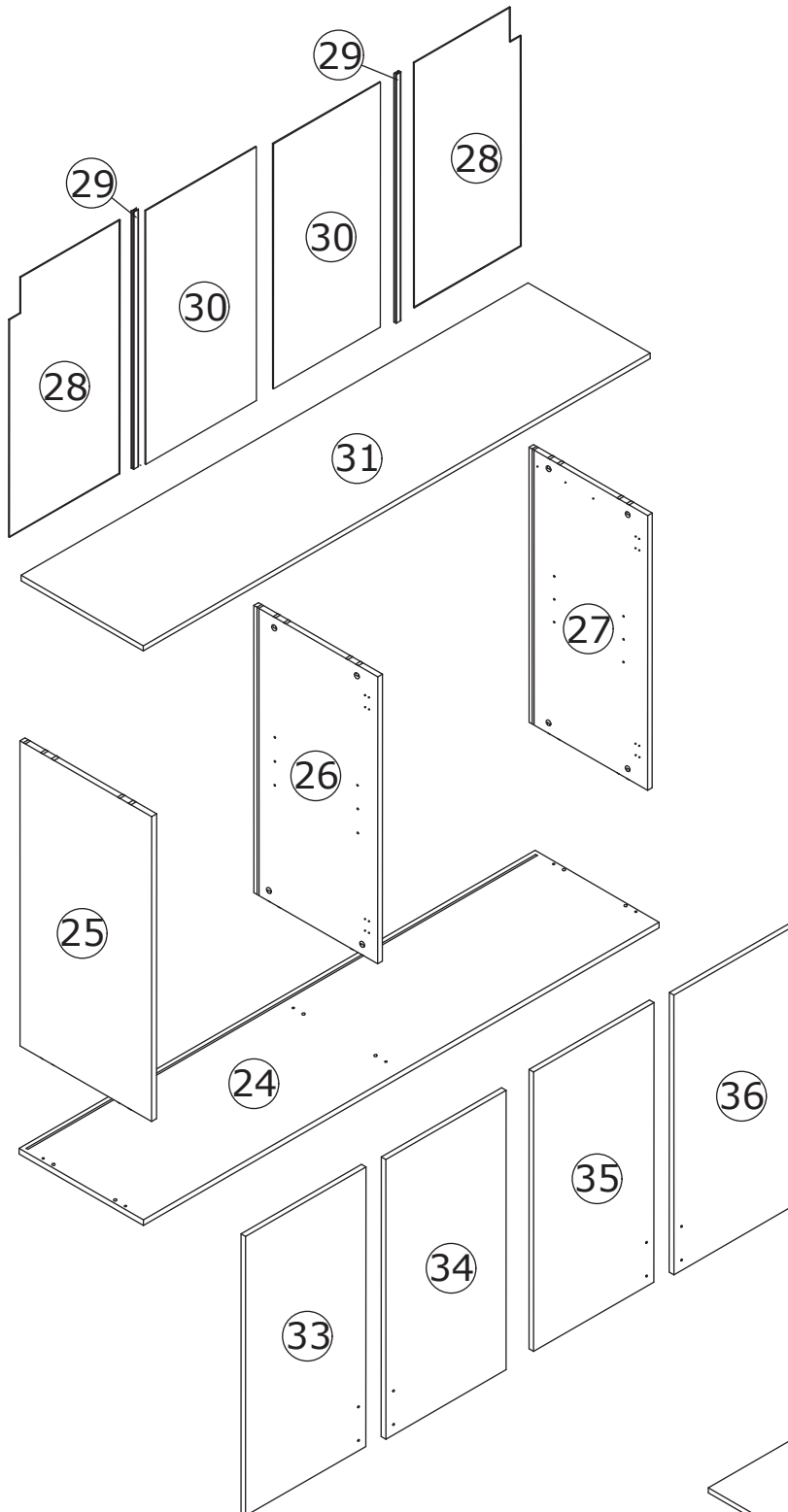
Children have died from furniture tipover. To reduce the risk of furniture tipover:

- ALWAYS install Anti-tip device provided.
- NEVER put a TV on this product.
- NEVER allow children to stand, climb or hang on drawers, doors, or shelves.
- NEVER open more than one drawer at a time.
- Place heaviest items in the lowest drawers.



*This is a permanent label.
Do not remove!*





⚠ WARNING

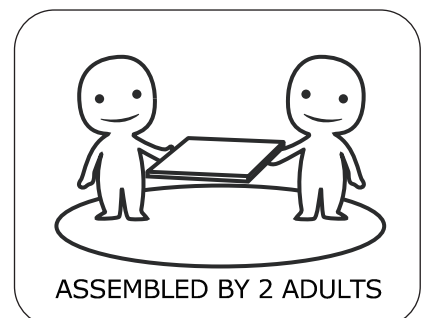


Children have died from furniture tipover. To reduce the risk of furniture tipover:

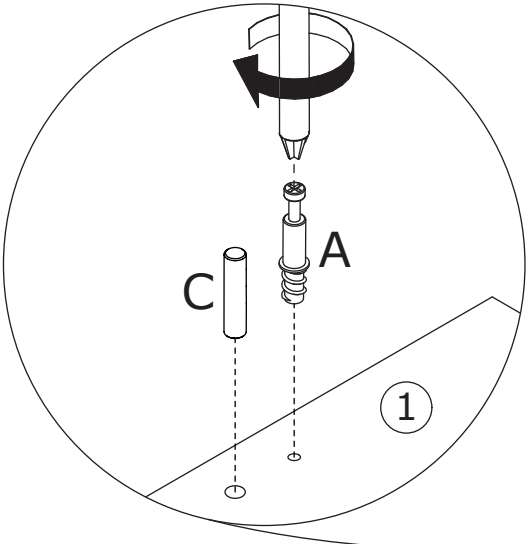
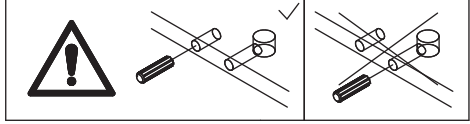
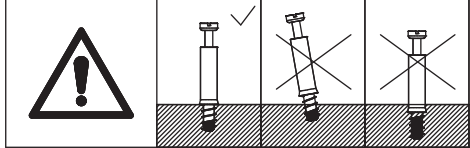
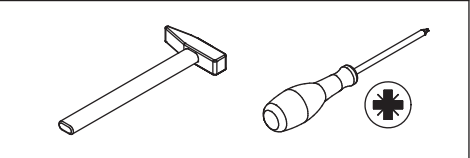
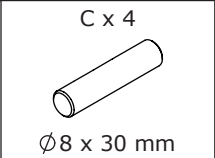
- ALWAYS install Anti-tip device provided.
- NEVER put a TV on this product.
- NEVER allow children to stand, climb or hang on drawers, doors, or shelves.
- NEVER open more than one drawer at a time.
- Place heaviest items in the lowest drawers.



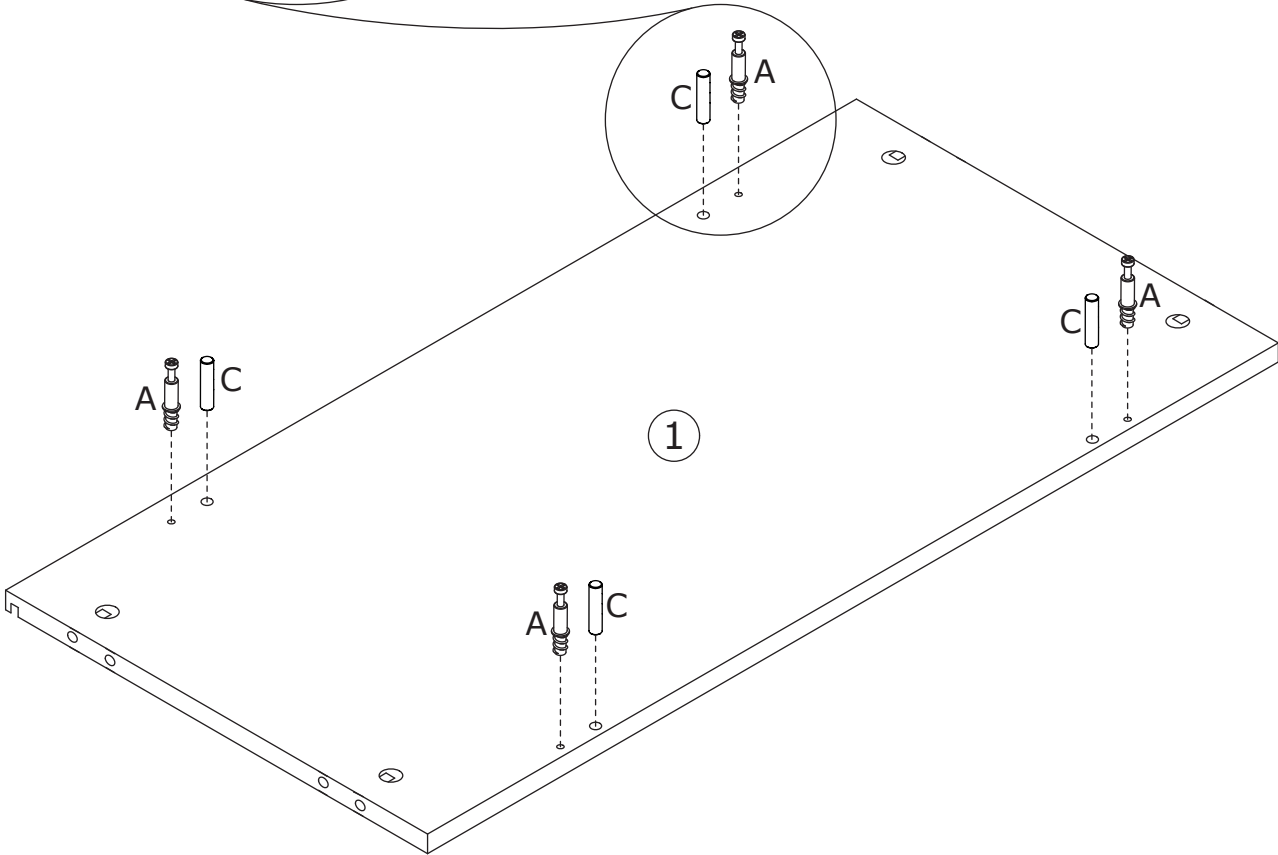
*This is a permanent label.
Do not remove!*



1

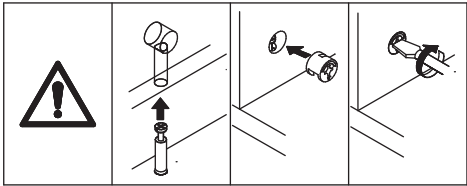


Screw eccentric rod (A) and insert wooden dowel (C) onto Part 1 as shown.

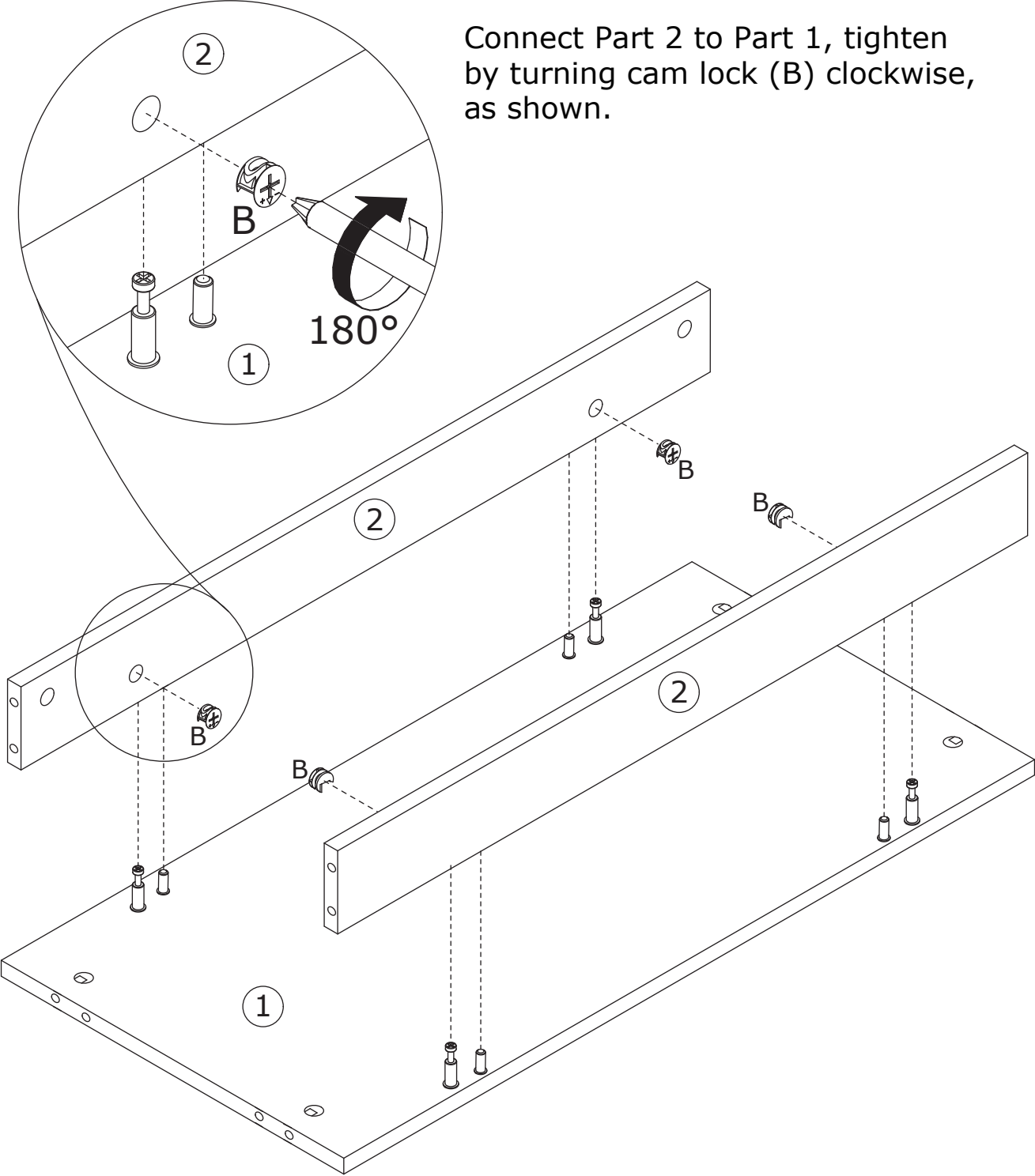


2

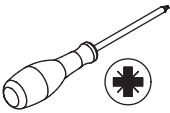
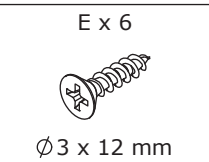
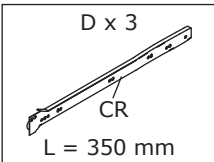
B x 4
Ø15 x 11 mm



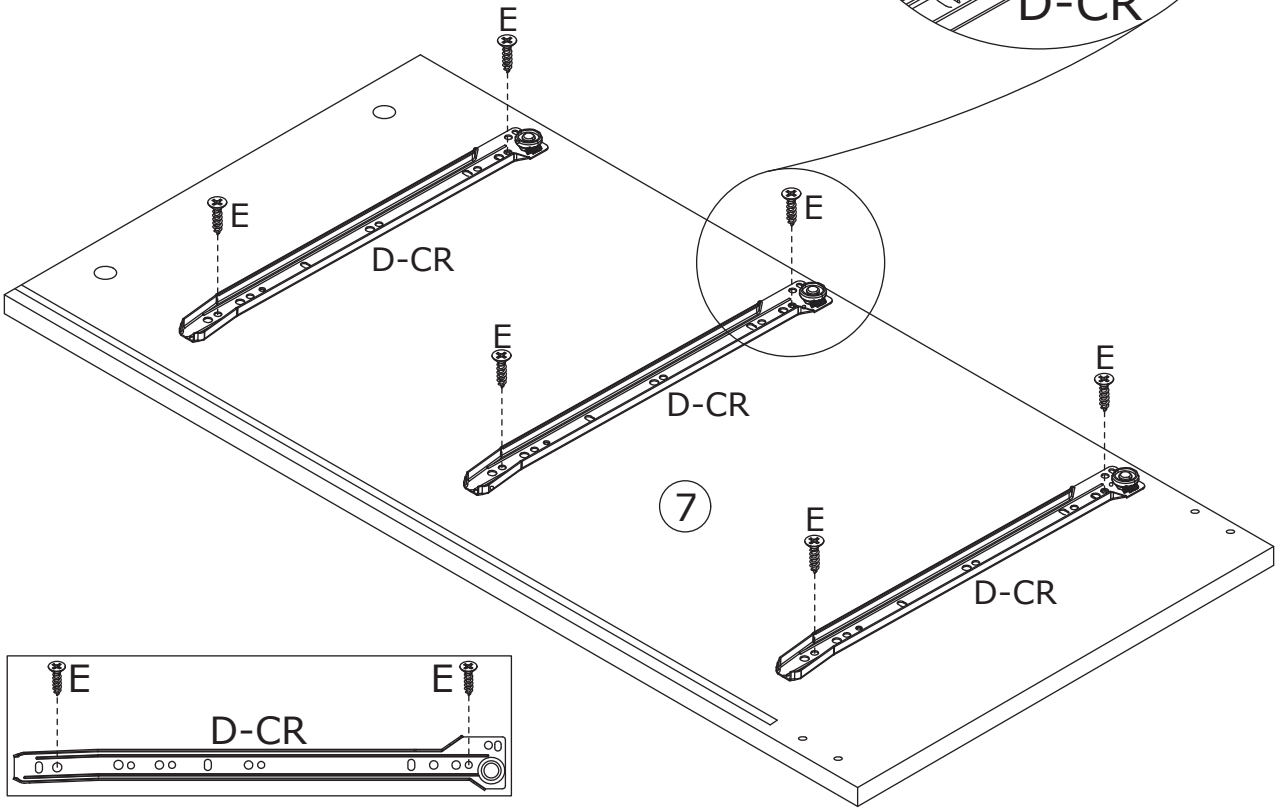
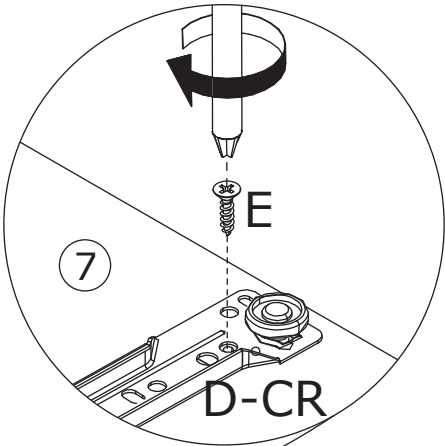
Connect Part 2 to Part 1, tighten by turning cam lock (B) clockwise, as shown.



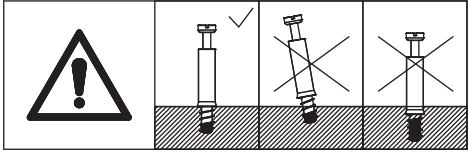
3



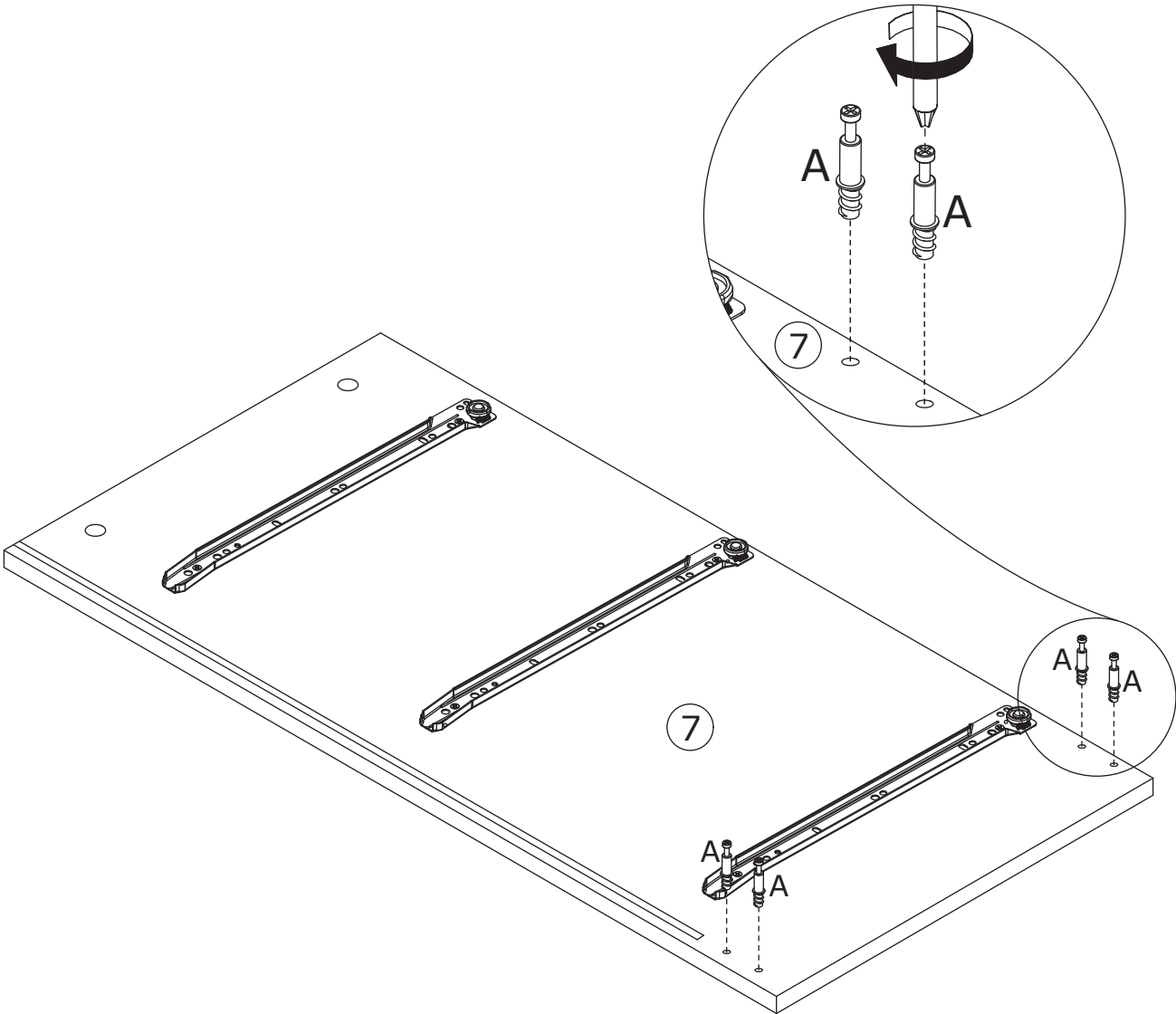
Secure slide rail (D-CR) to Part 7 with screw (E) as shown.



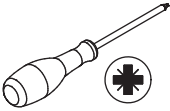
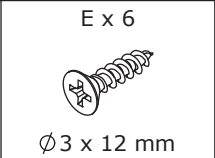
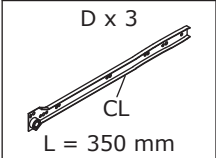
4



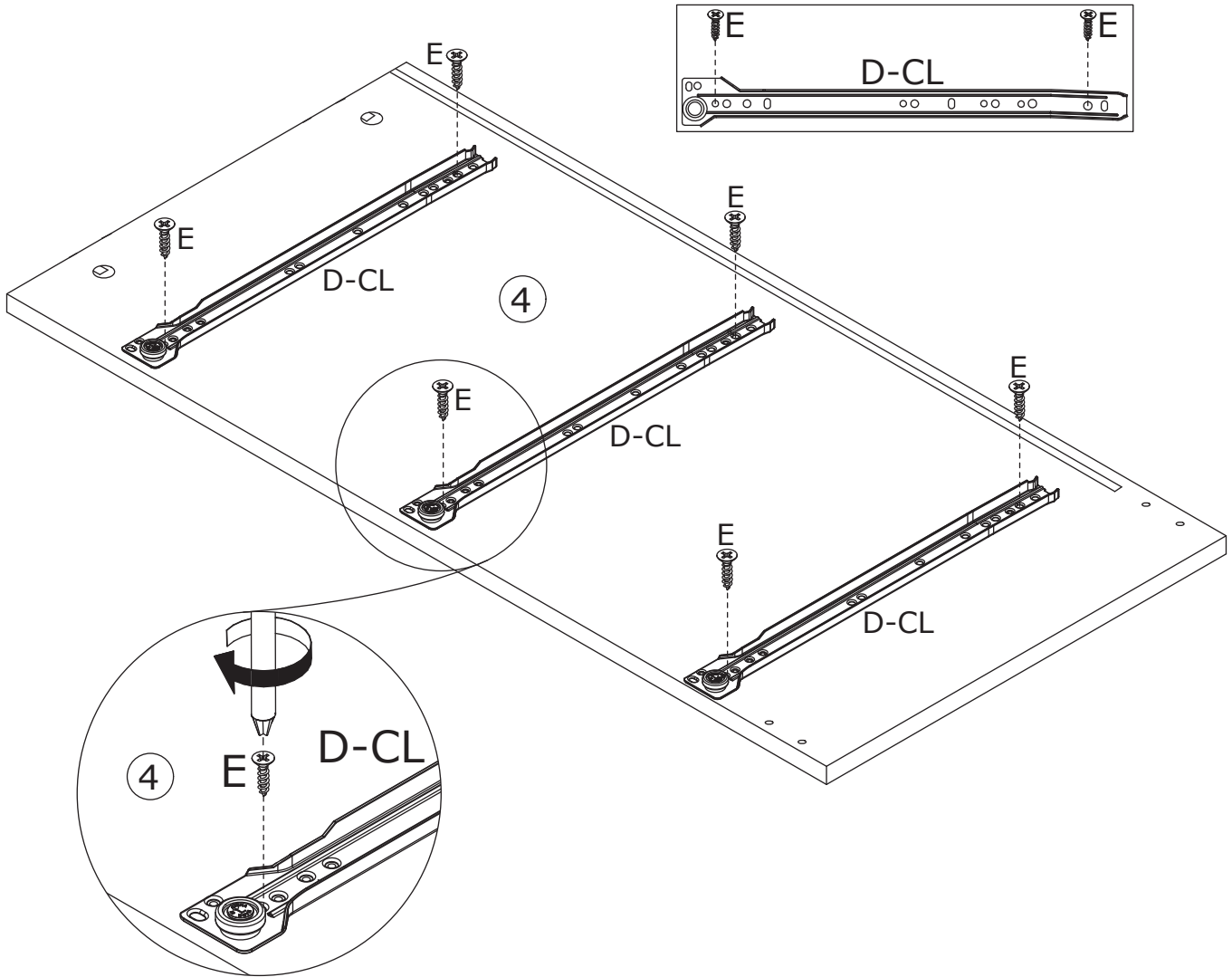
Screw eccentric rod (A) onto Part 7 as shown.



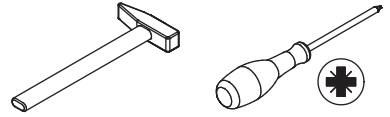
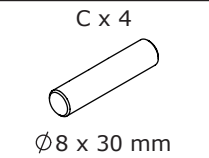
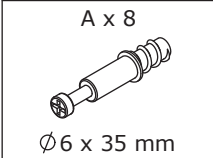
5



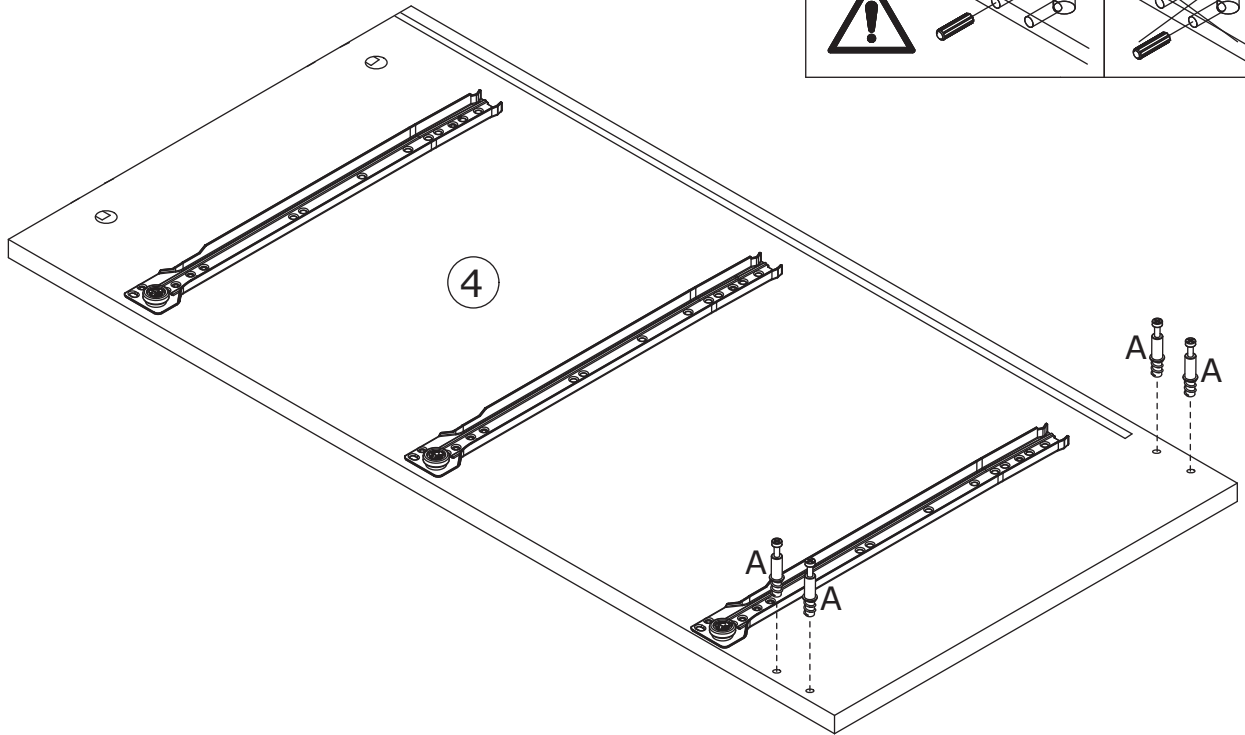
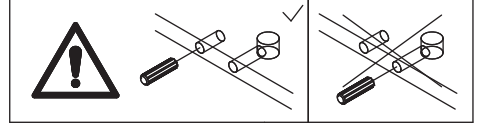
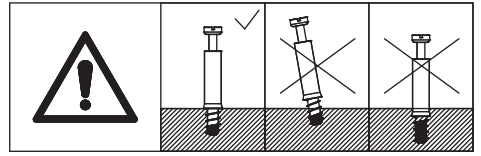
Secure slide rail (D-CL) onto Part 4 with screw (E) as shown.



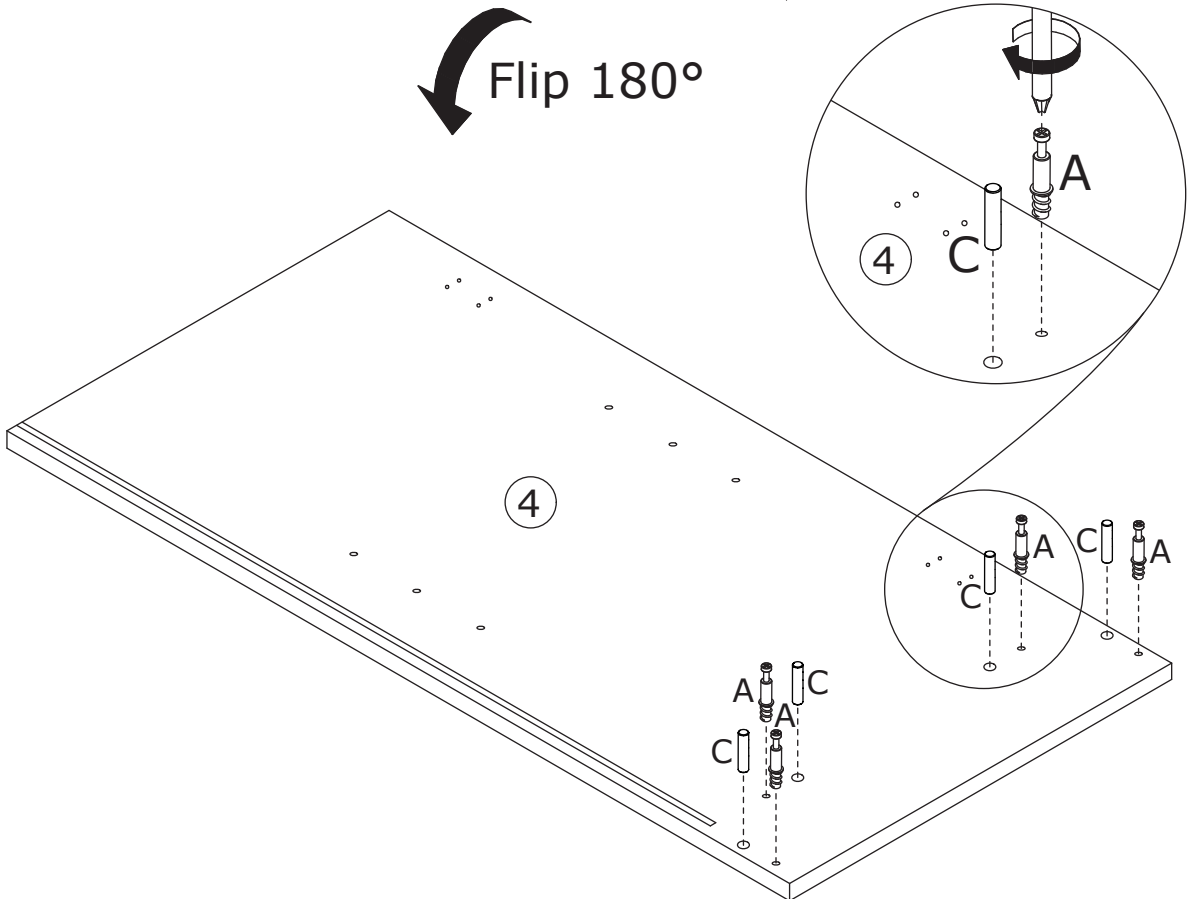
6



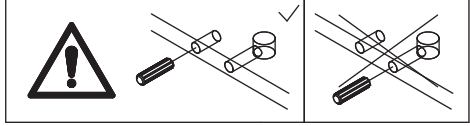
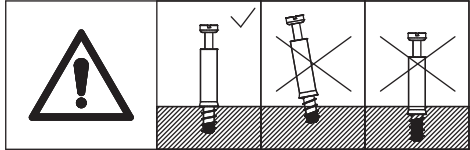
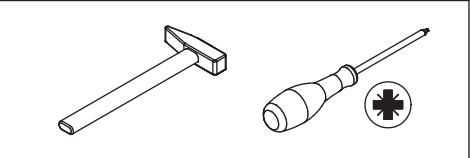
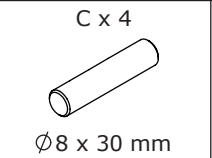
Screw eccentric rod (A) onto Part 4 first.
Then flip the board to back, screw eccentric rod (A) and insert wooden dowel (C) as shown.



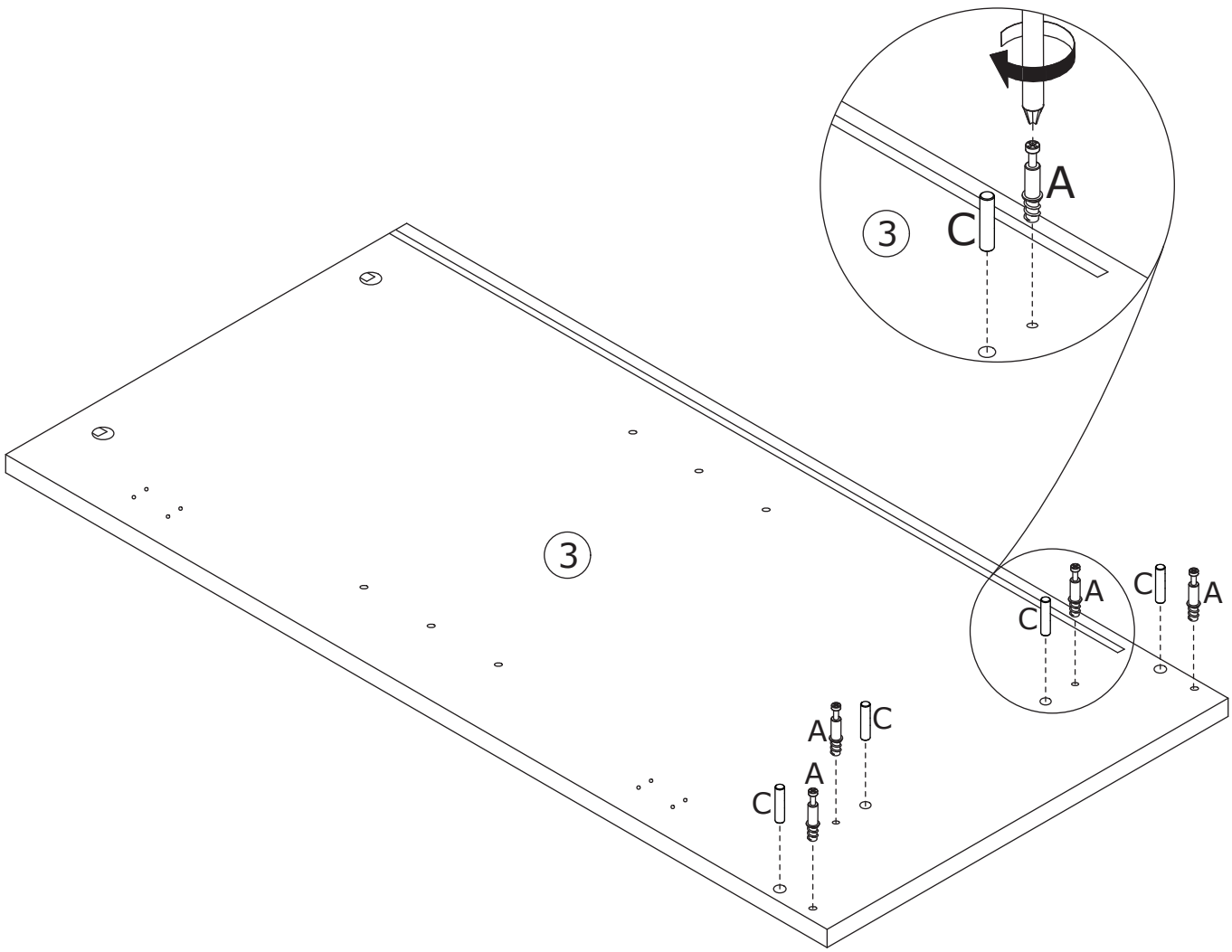
Flip 180°



7

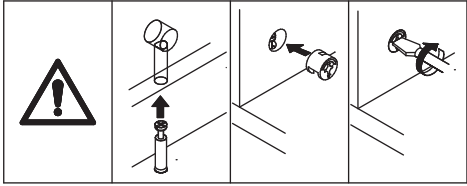


Screw eccentric rod (A) and insert wooden dowel (C) onto Part 3 as shown.

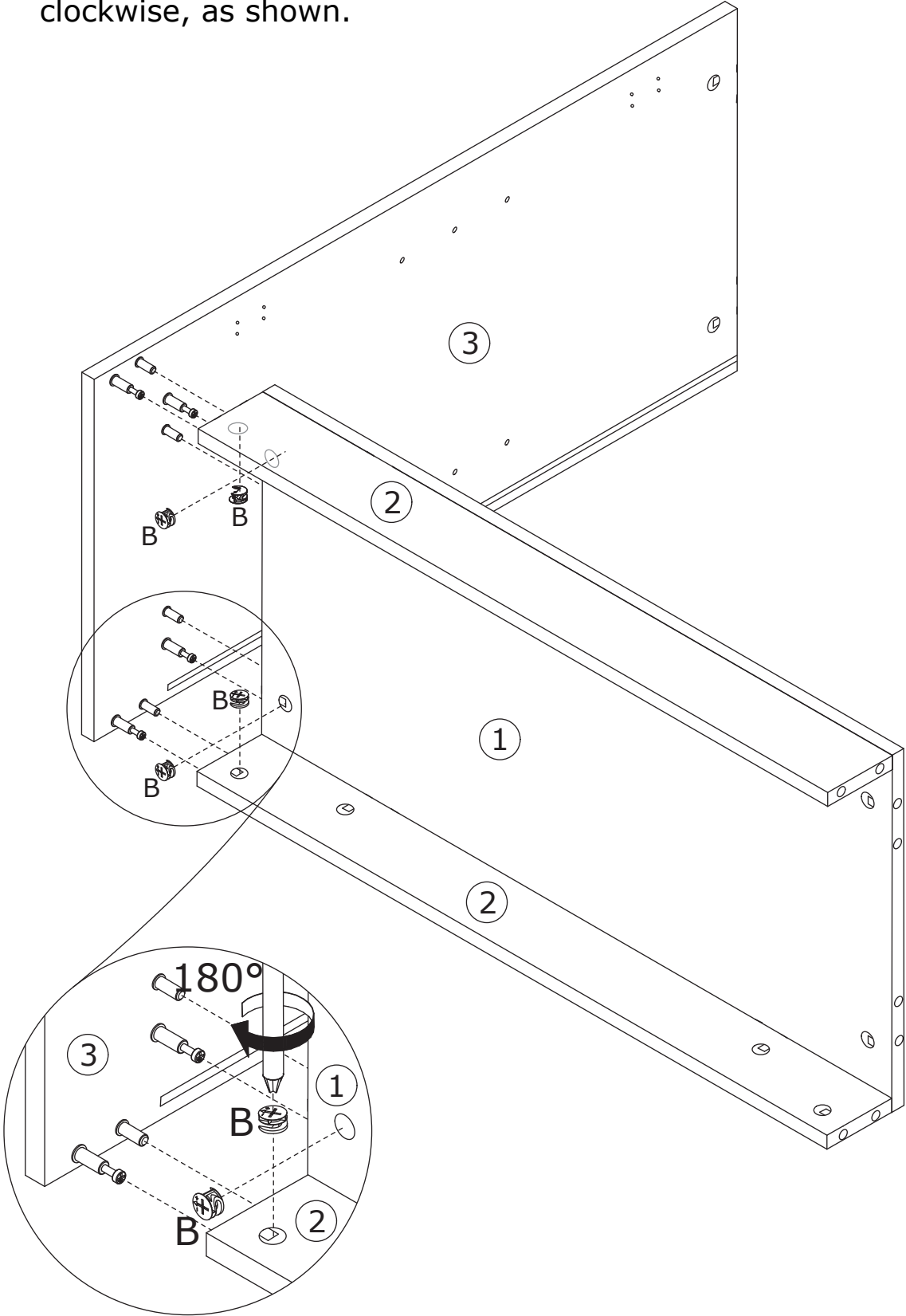


8

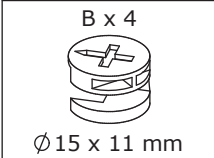
B x 4
Ø 15 x 11 mm



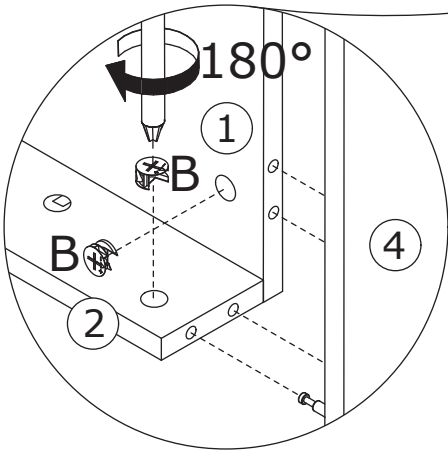
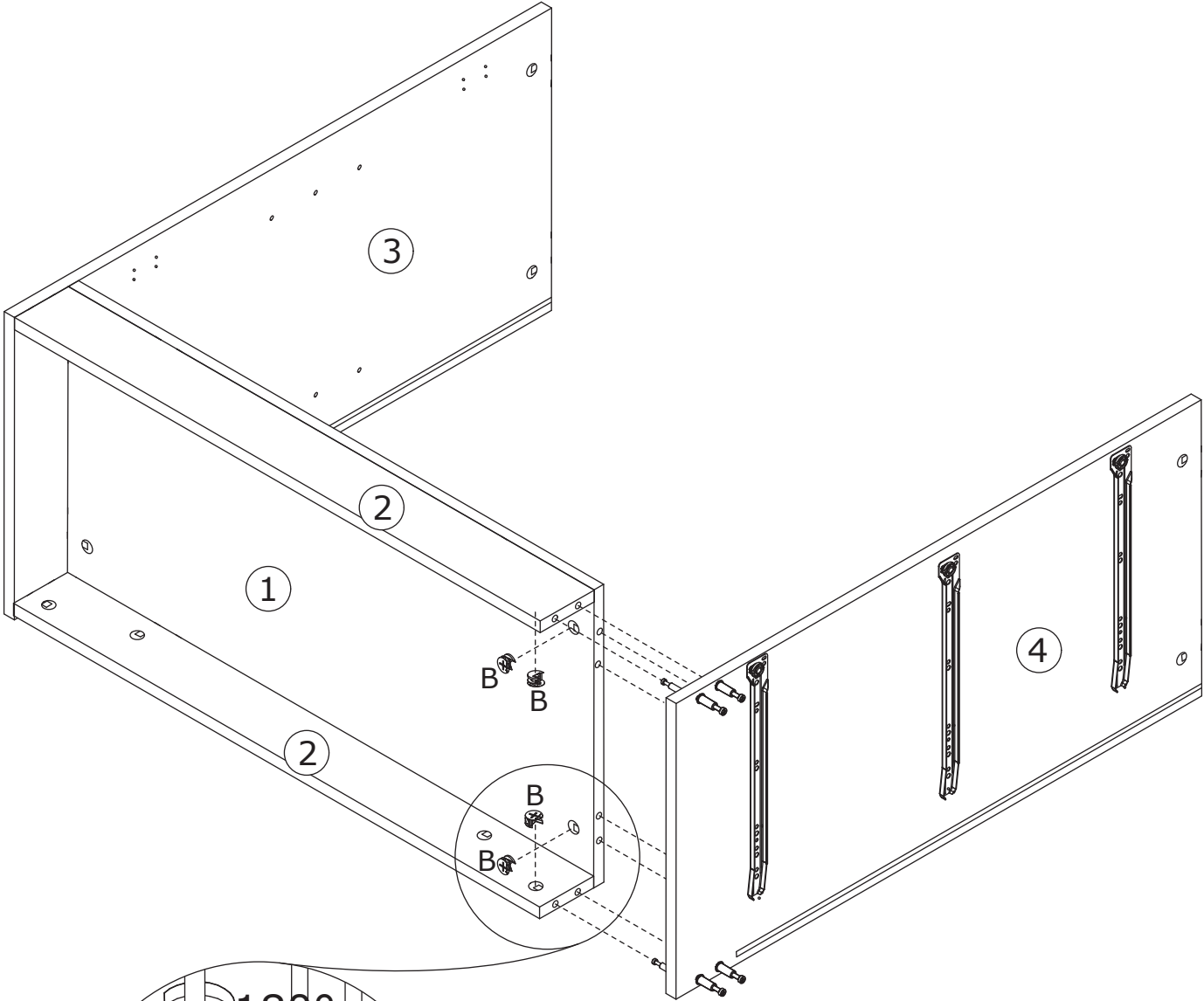
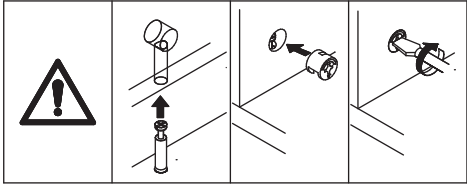
Connect Part 3 to Part 1 and 2,
tighten by turning cam lock (B)
clockwise, as shown.



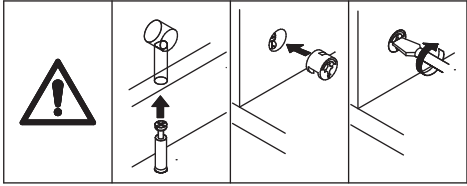
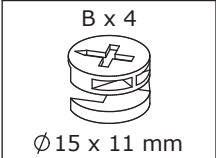
9



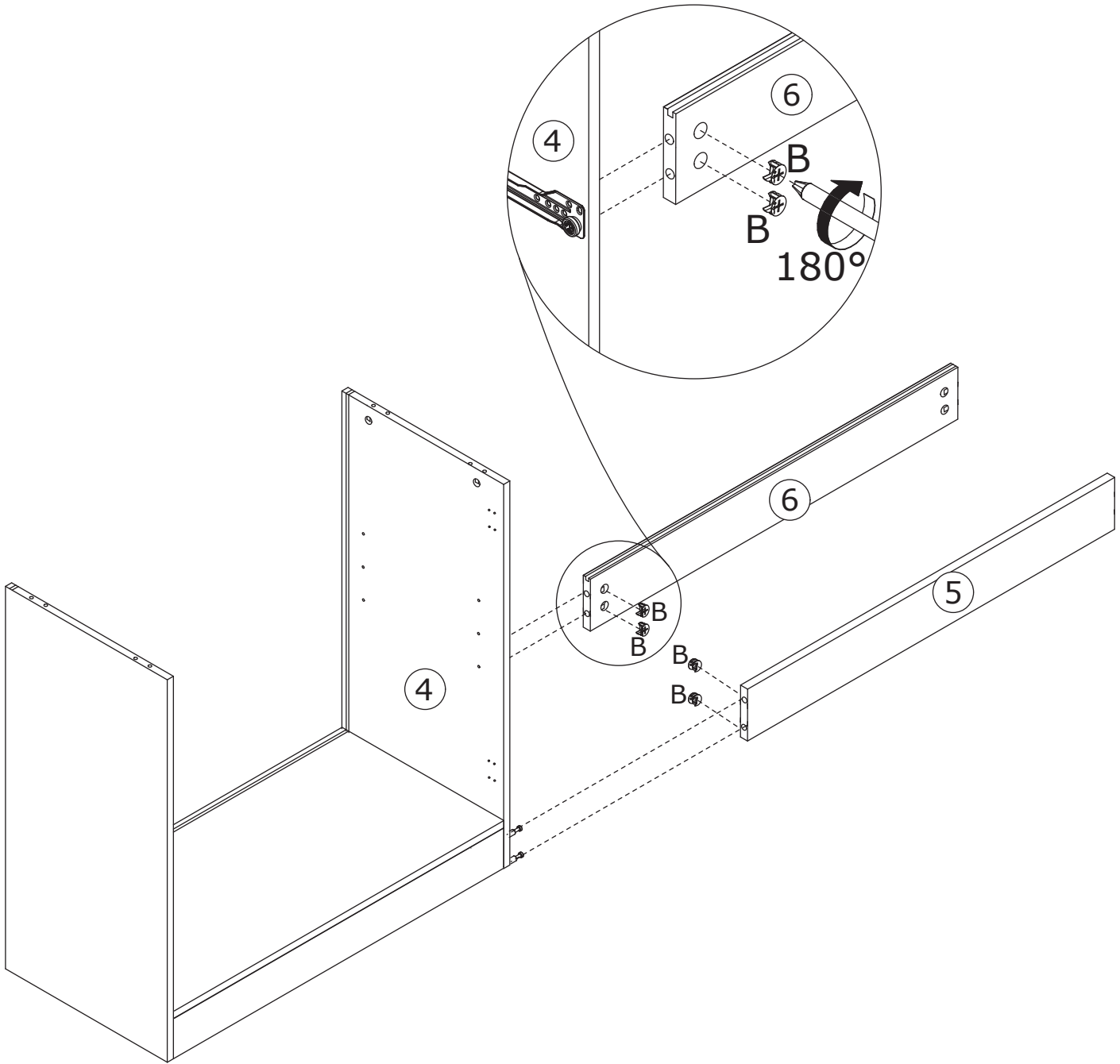
Connect Part 4 to Part 1 and 2, tighten by turning cam lock (B) clockwise, as shown.



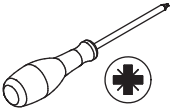
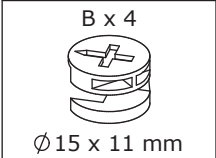
10



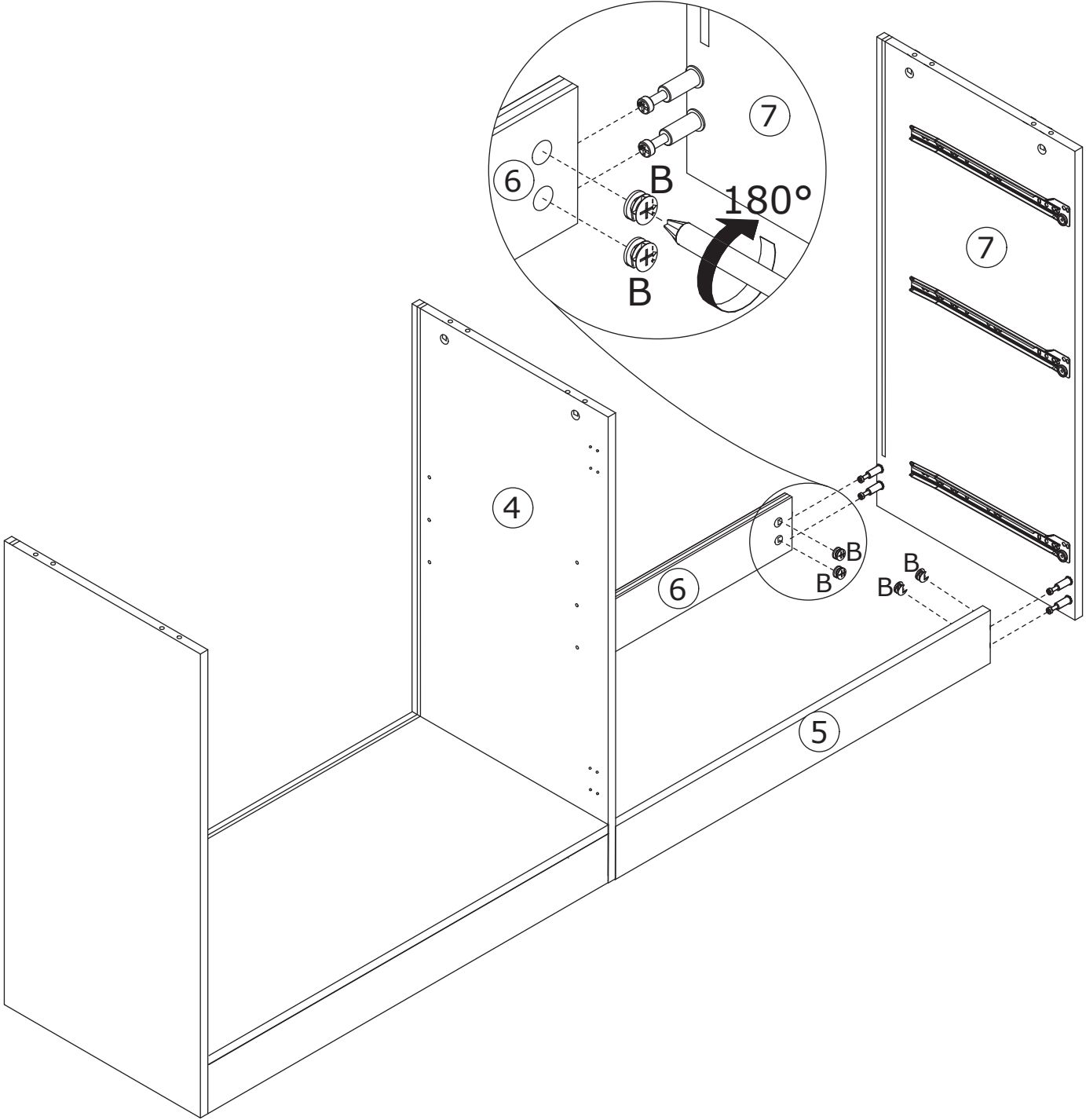
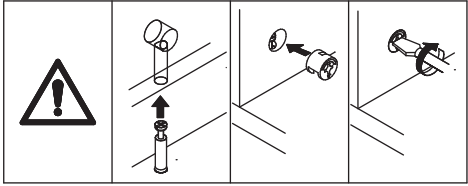
Connect Part 5 and 6 to Part 4, tighten by turning cam lock (B) clockwise, as shown.



11

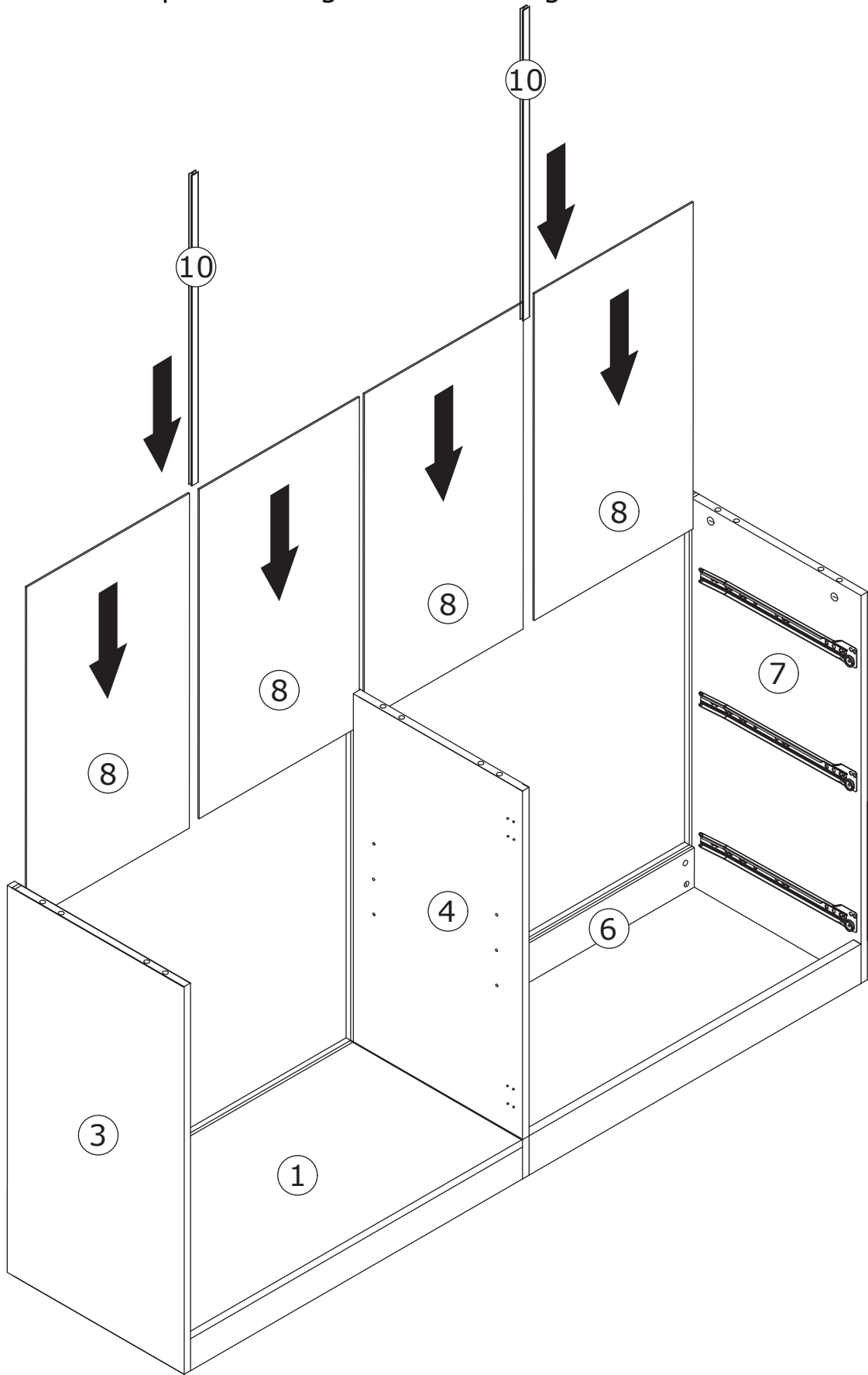


Connect Part 7 to Part 5 and 6,
tighten by turning cam lock (B)
clockwise, as shown.

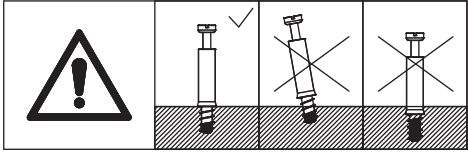
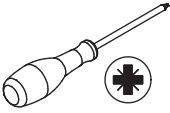
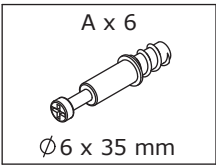


12

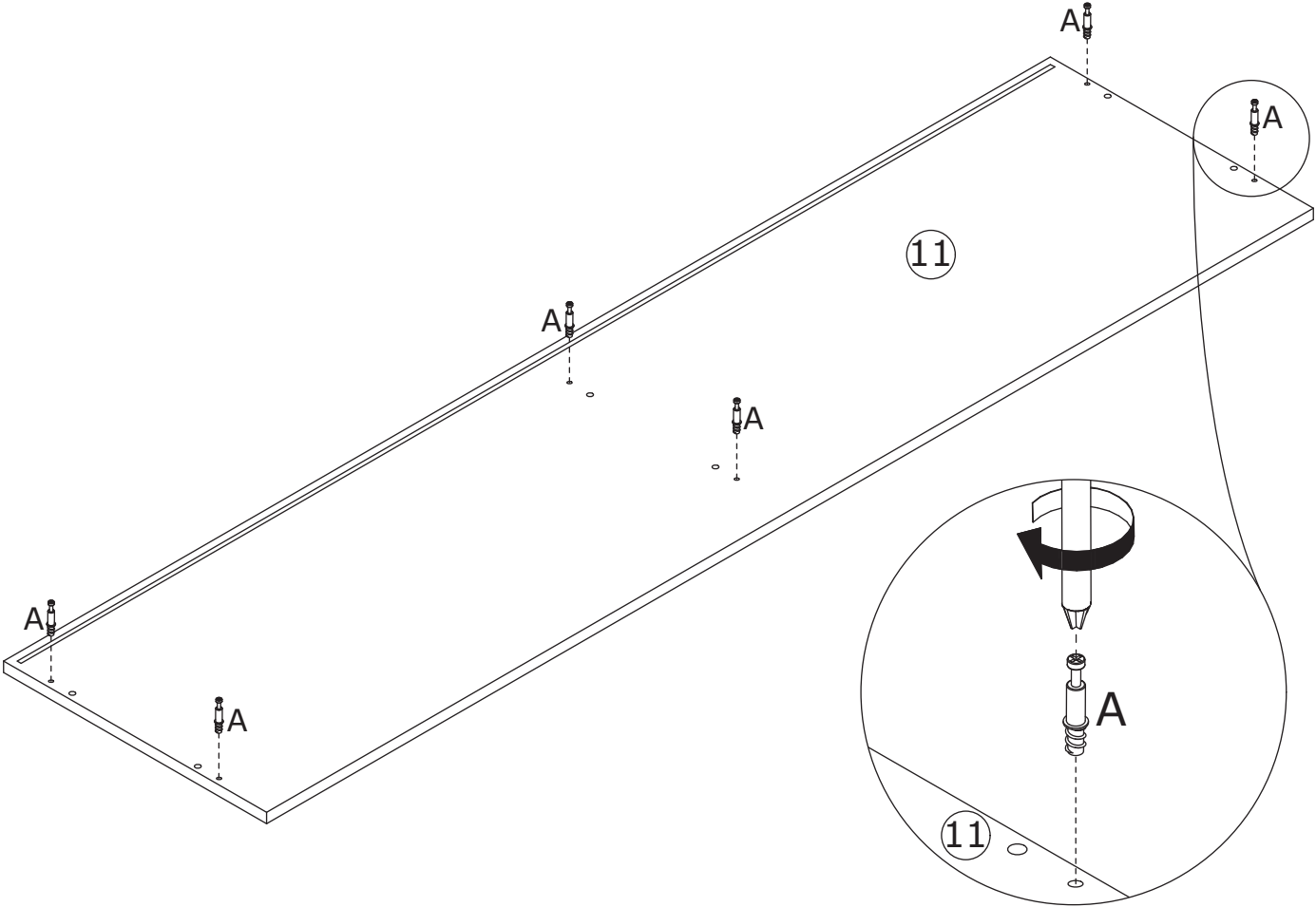
Connect Part 8 to Part 10.
Insert backplates along the available grooves as shown.



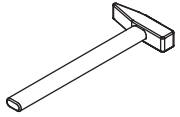
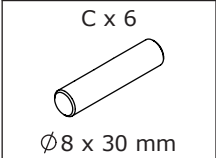
13



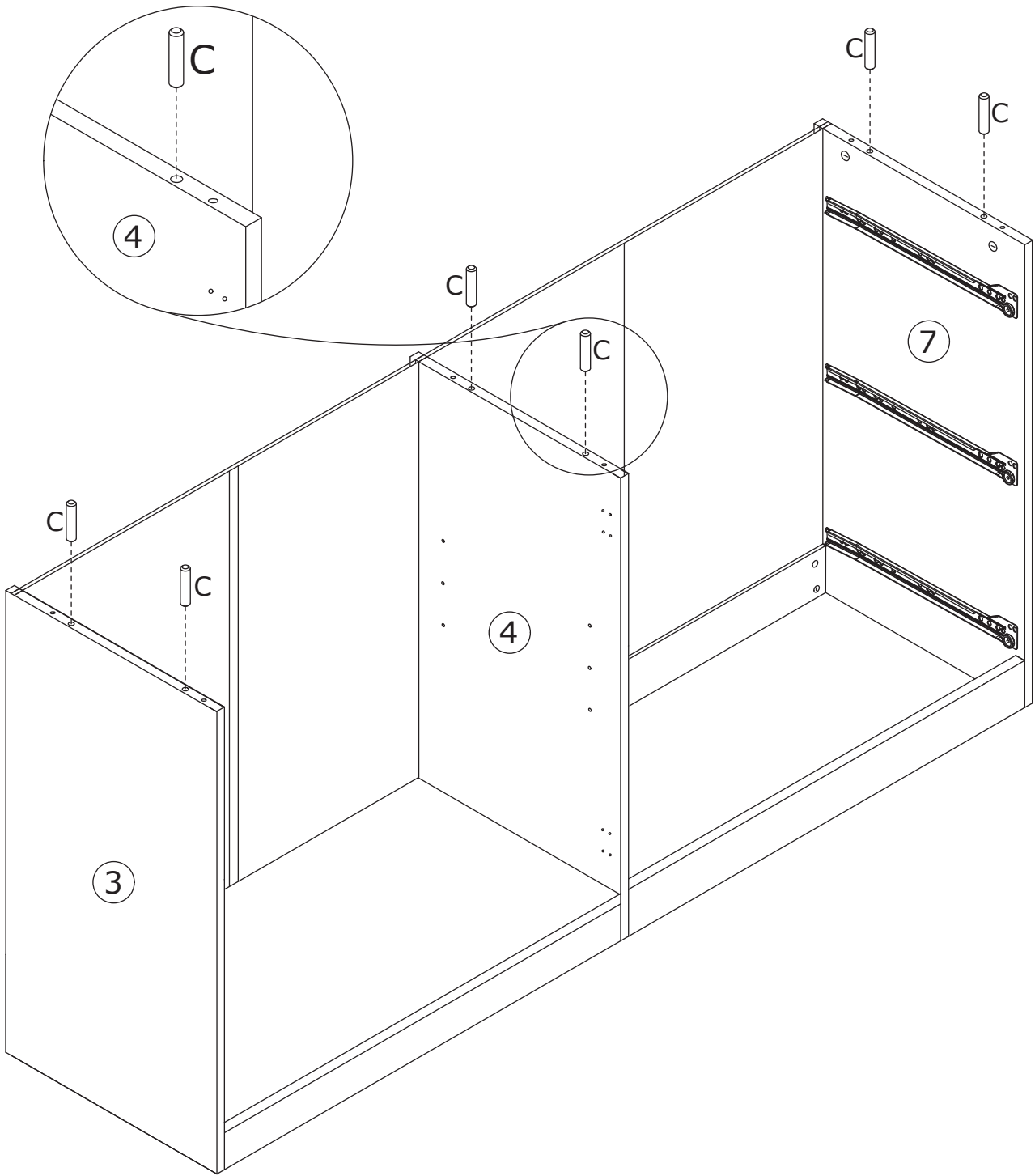
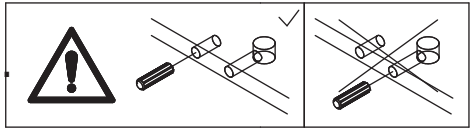
Screw eccentric rod (A) onto Part 11 as shown.



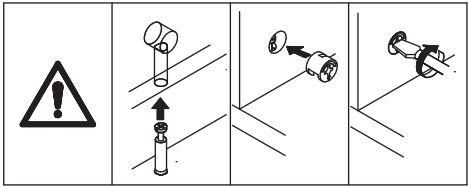
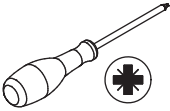
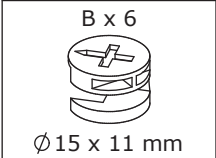
14



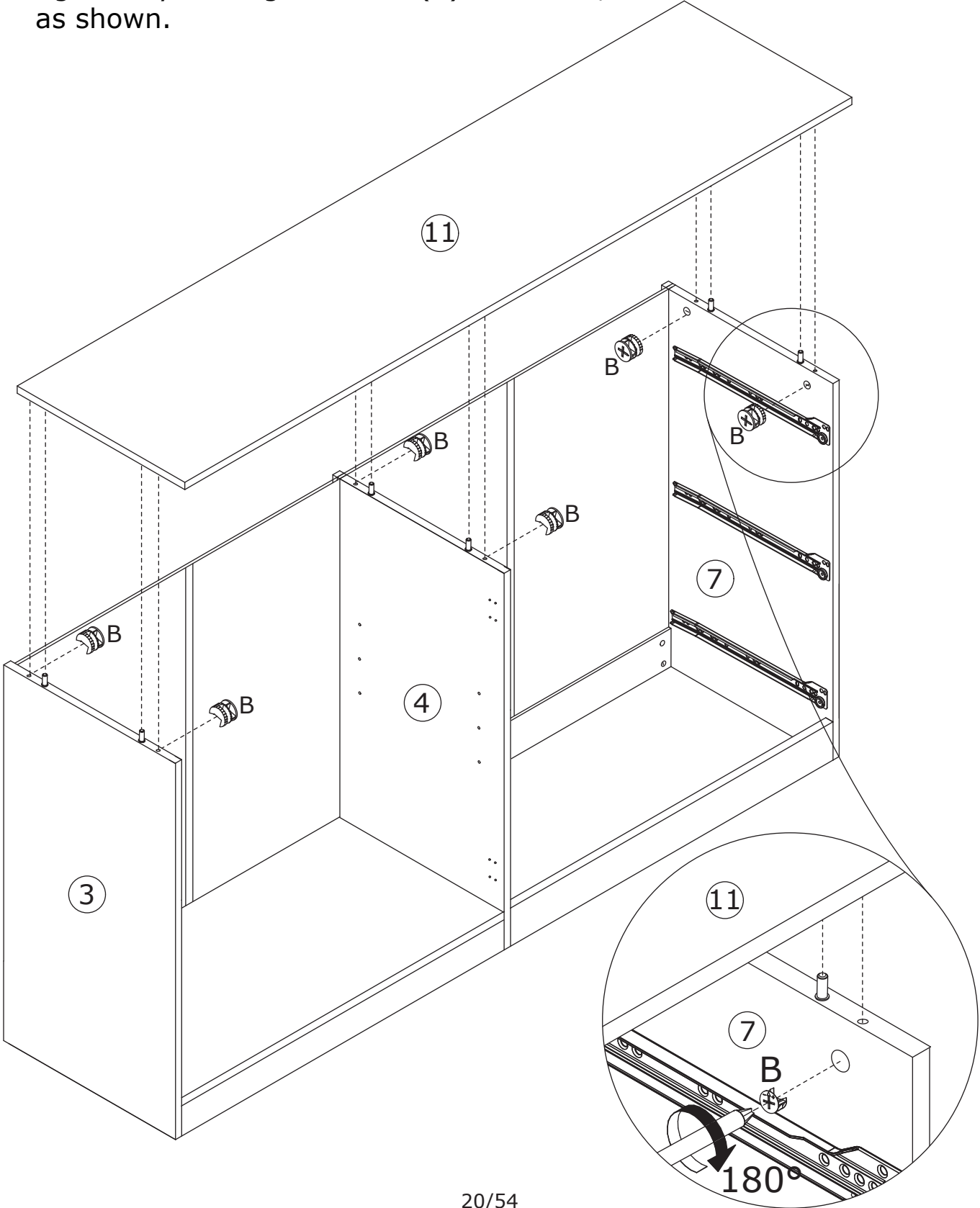
Insert wooden dowel (C) onto Part 3, 4, and 7.



15



Connect Part 11 to Part 3, 4, and 7,
tighten by turning cam lock (B) clockwise,
as shown.

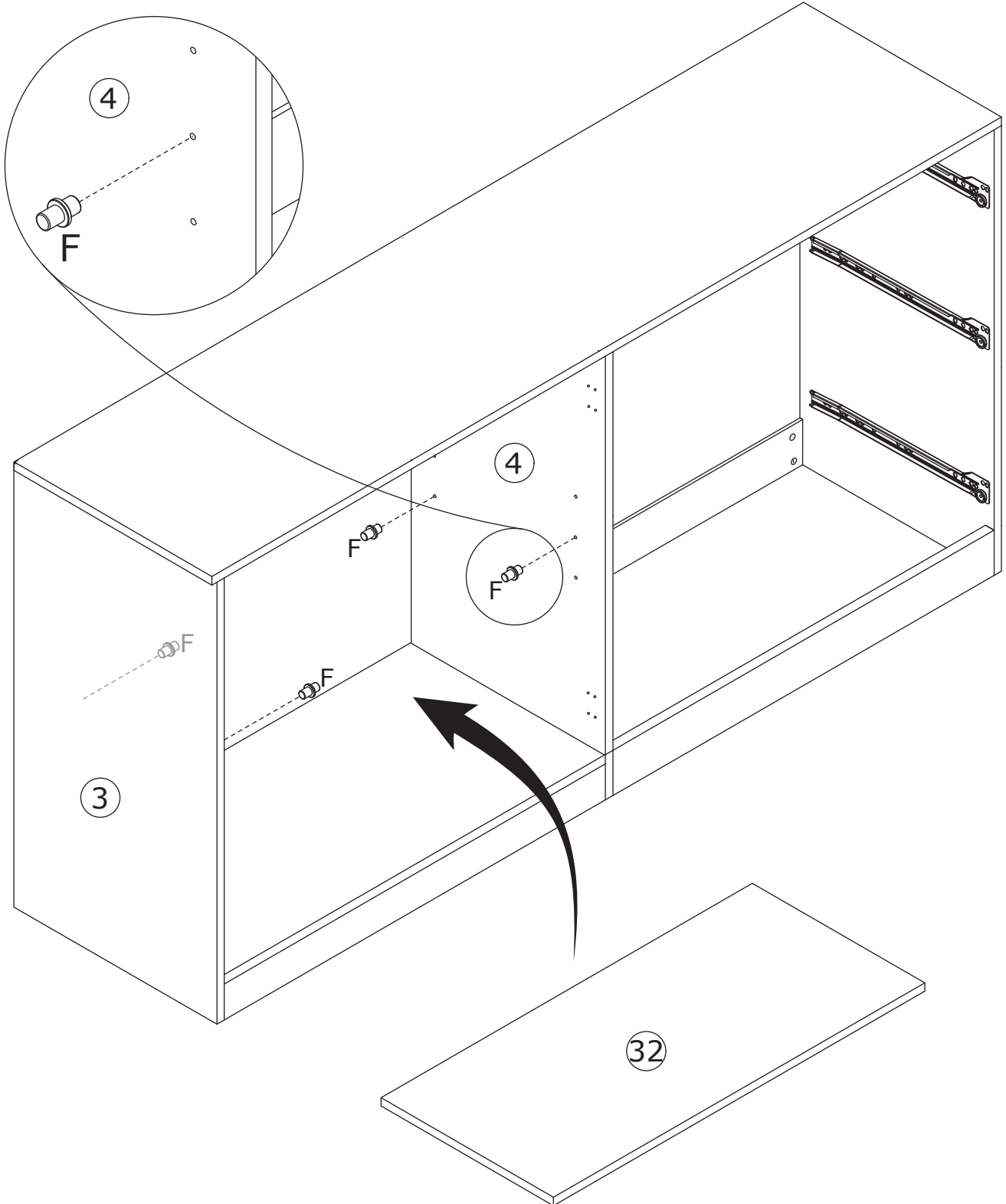


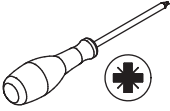
16

F x 4



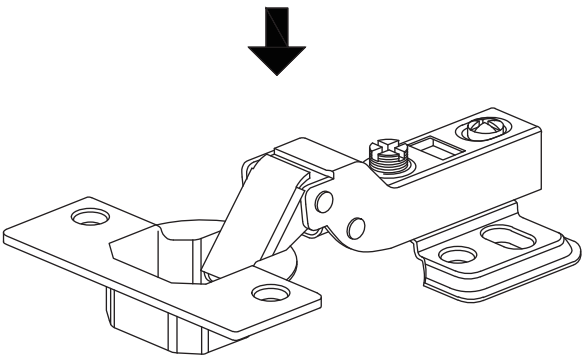
Insert pin (F) into Part 3 and 4, then place Part 32 on pins as shown.



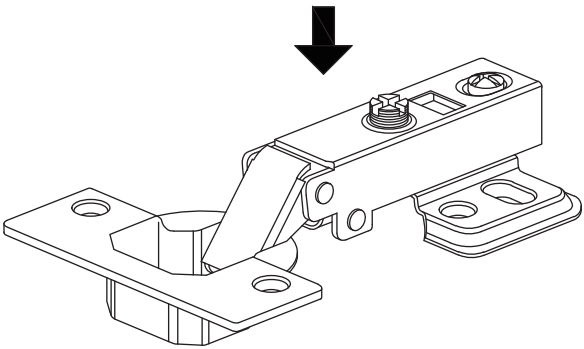


Pay attention to the difference between the middle parts of the two types of door hinges.

- The full coverage door hinges (J) are used on the outermost door plates
- The curved door hinges (P) are used on the middle door plates

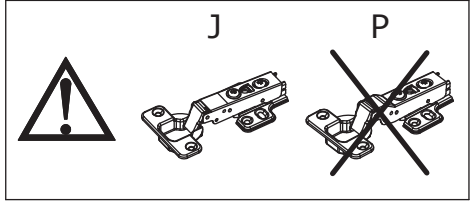
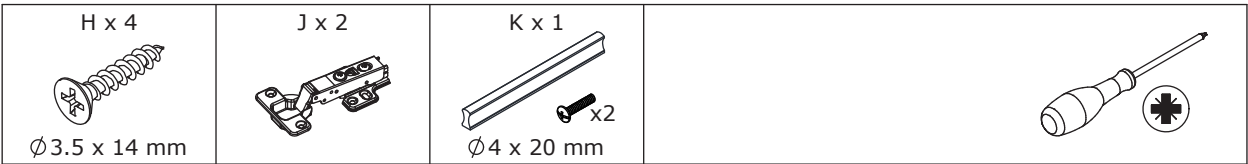


P

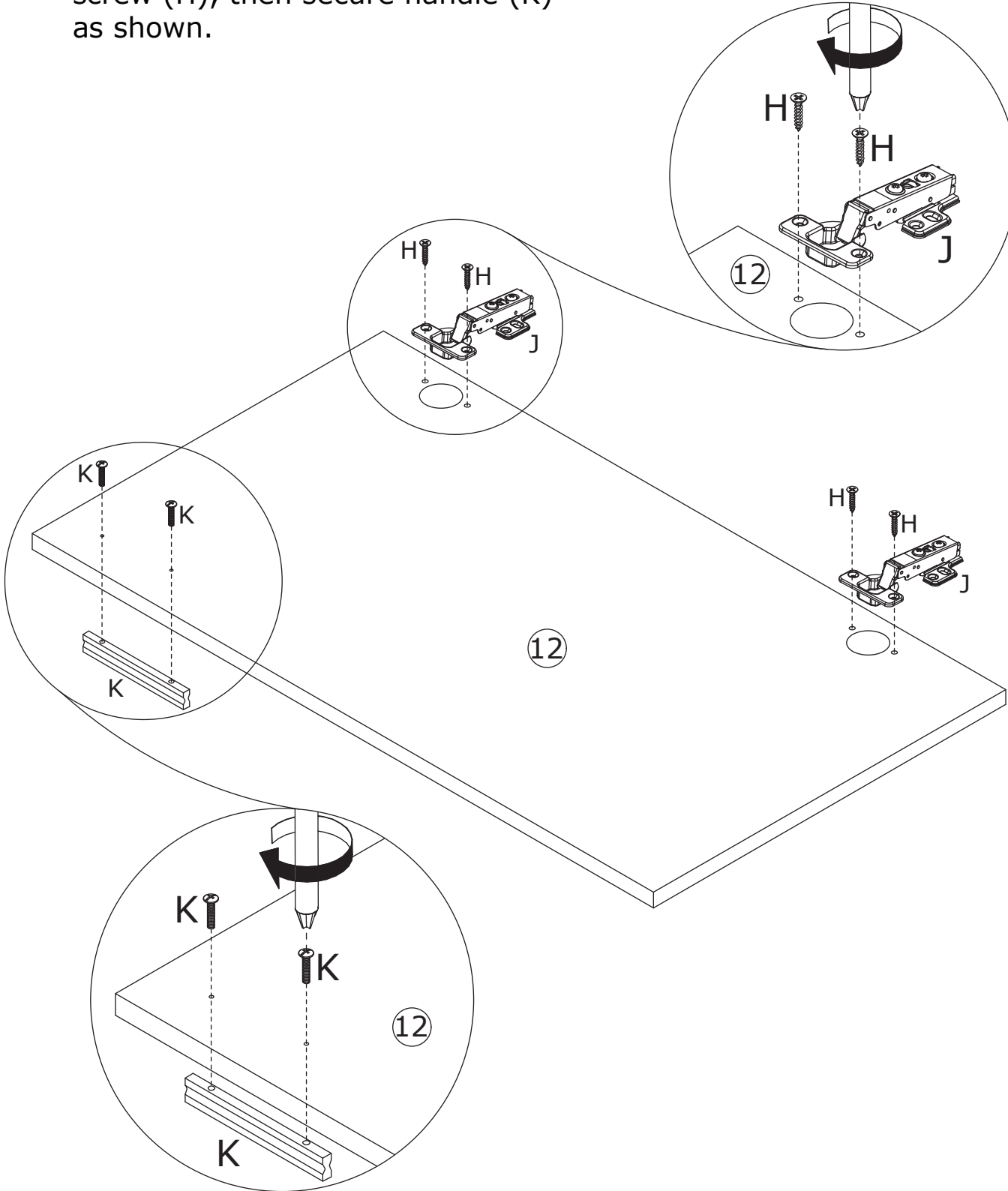


J

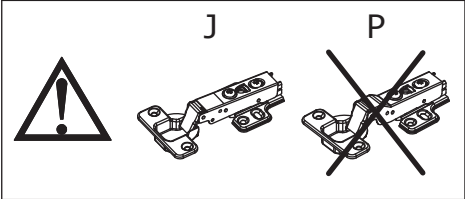
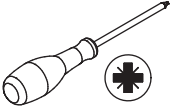
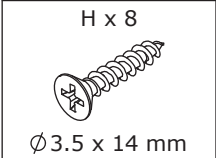
18



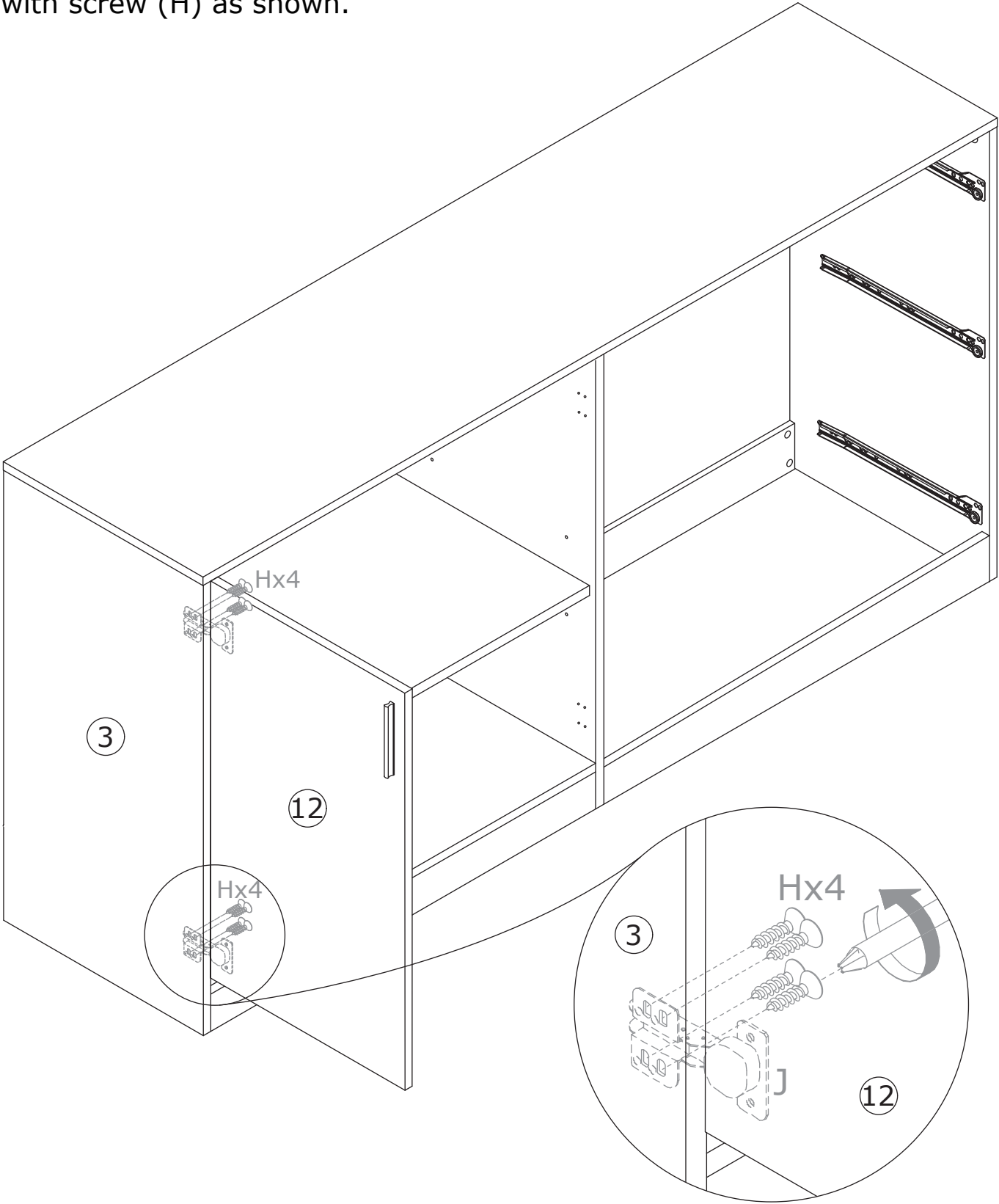
Secure hinge (J) to Part 12 with screw (H), then secure handle (K) as shown.



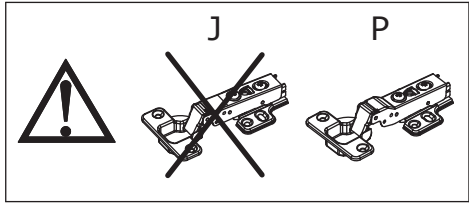
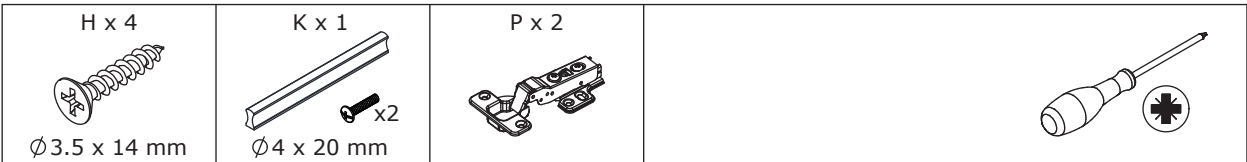
19



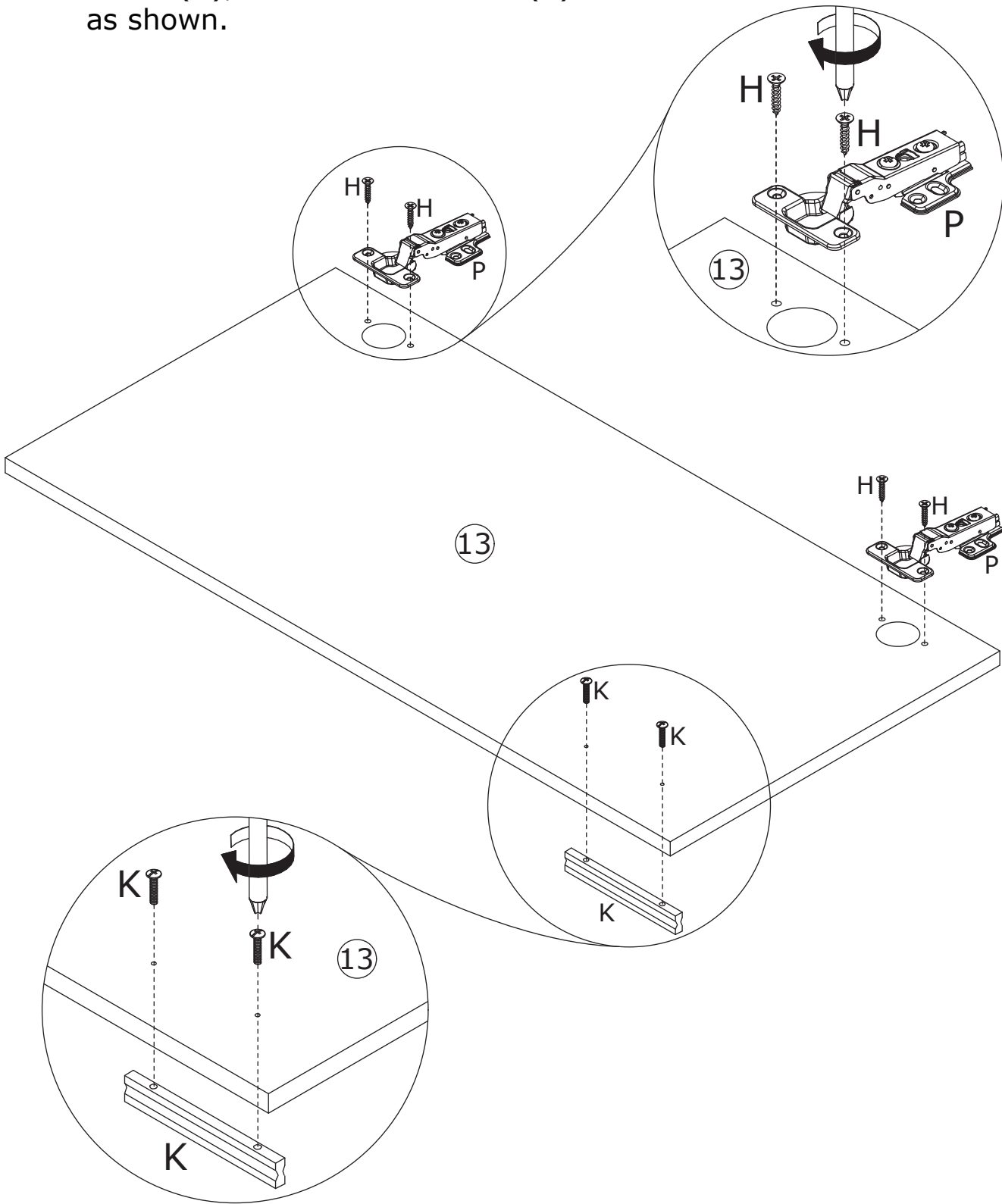
Connect Part 12 to Part 3 by securing hinges with screw (H) as shown.



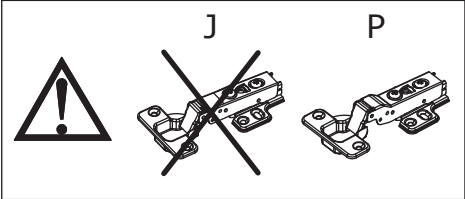
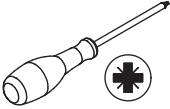
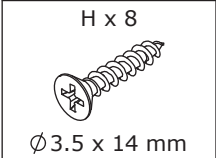
20



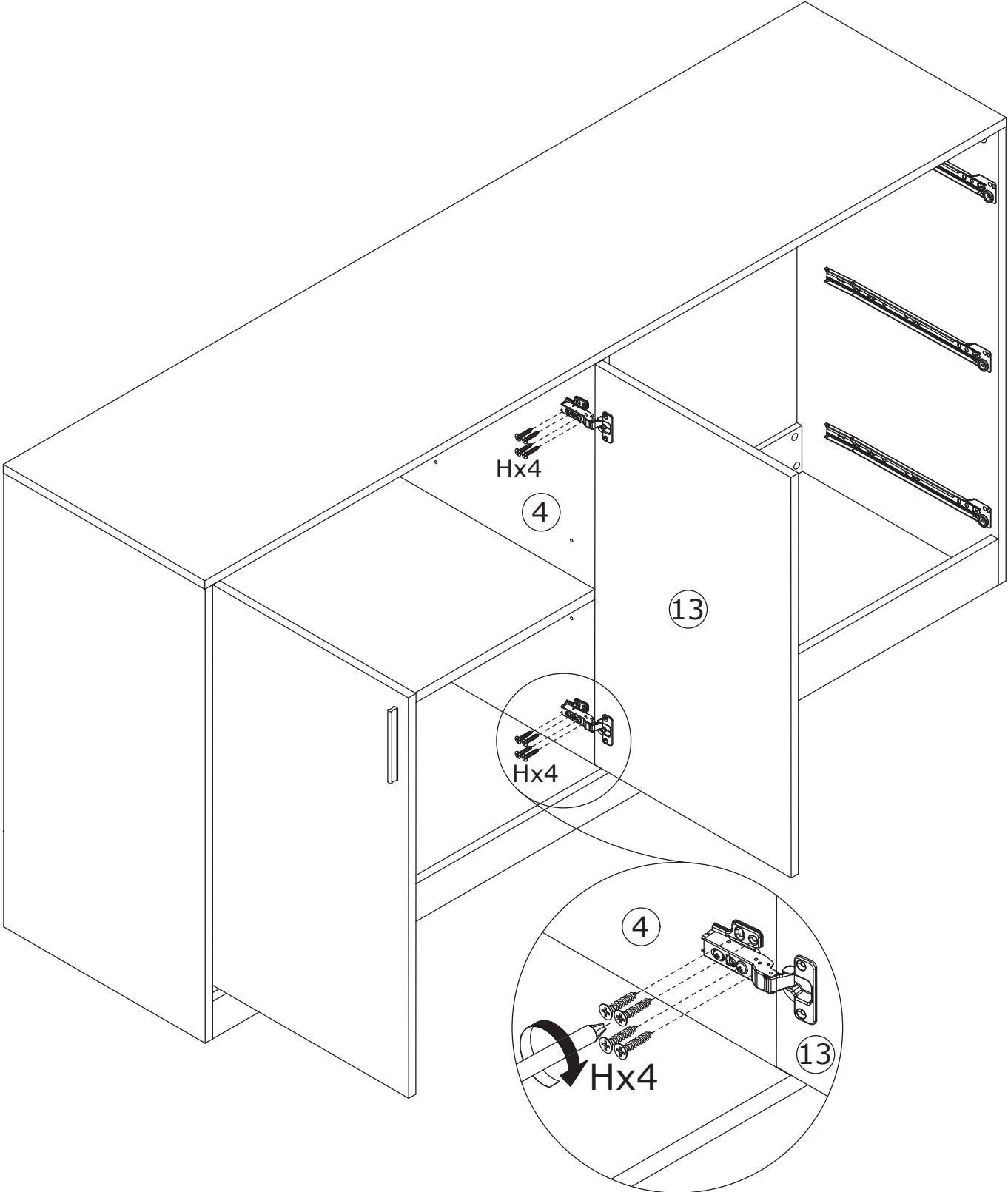
Secure hinge (P) to Part 13 with screw (H), then secure handle (K) as shown.



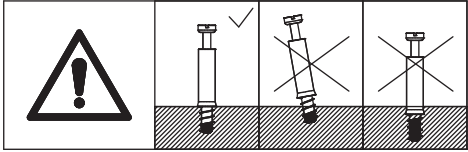
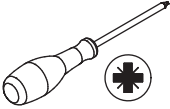
21



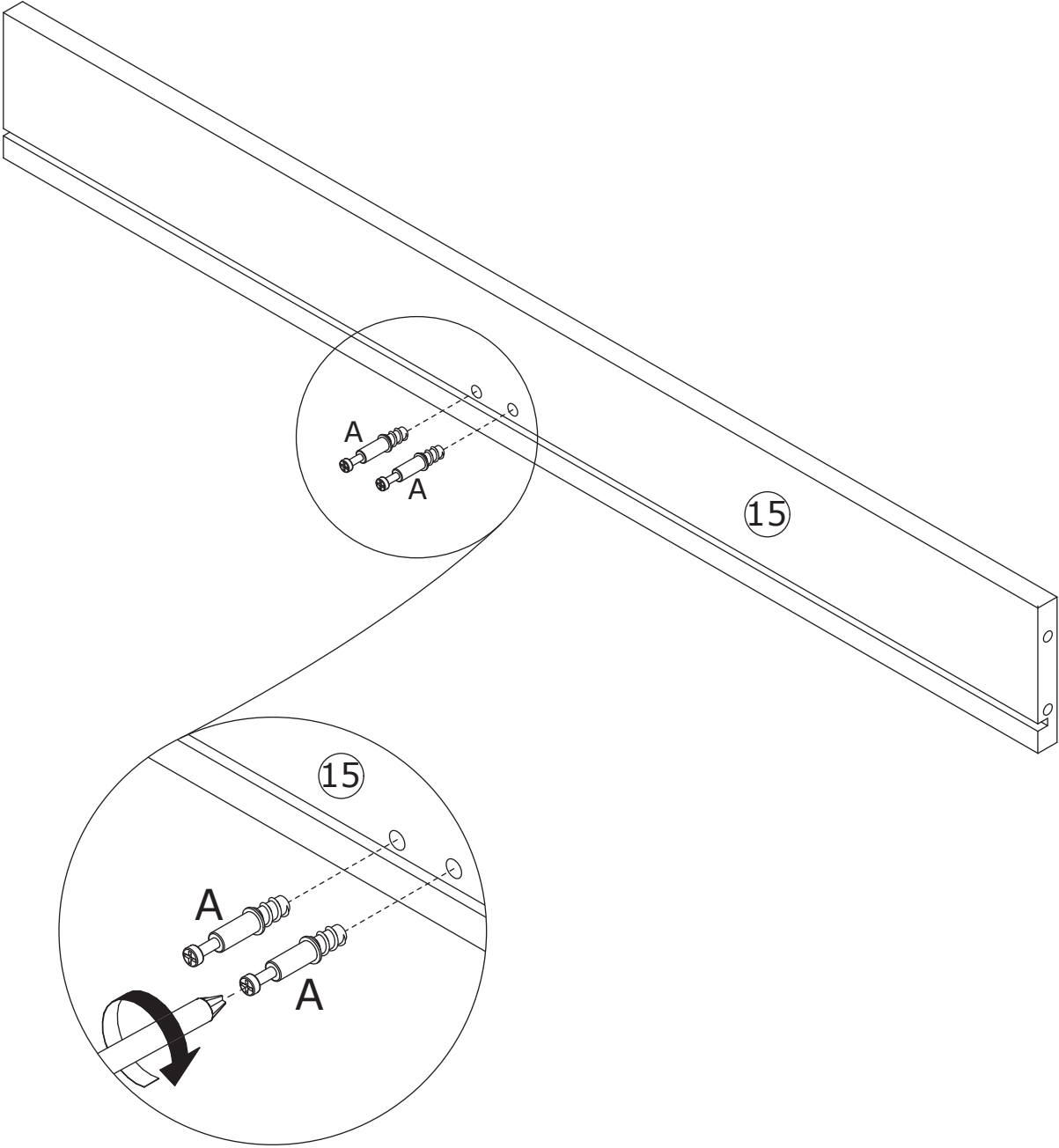
Connect Part 13 to Part 4 by securing hinges with screw (H) as shown.



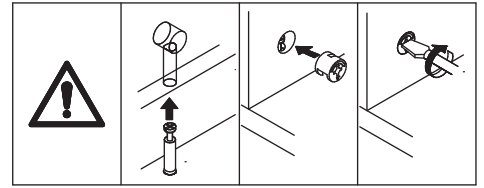
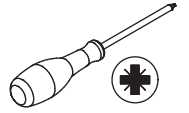
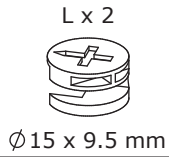
22



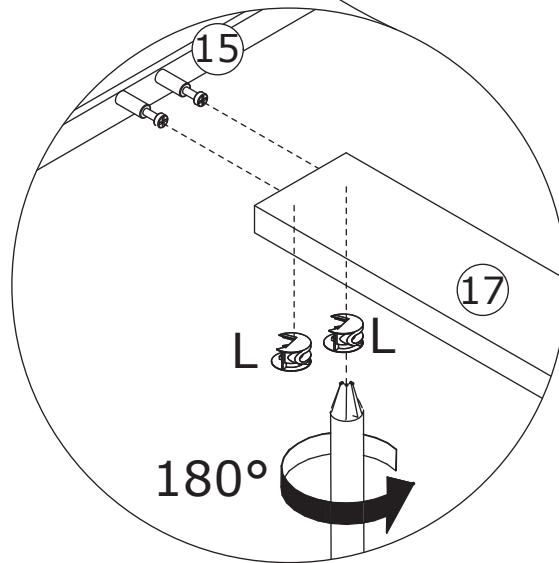
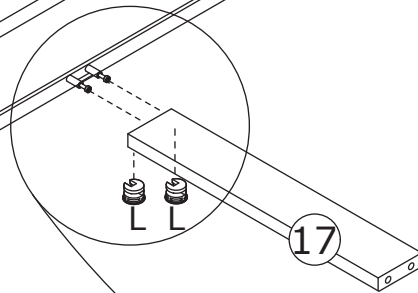
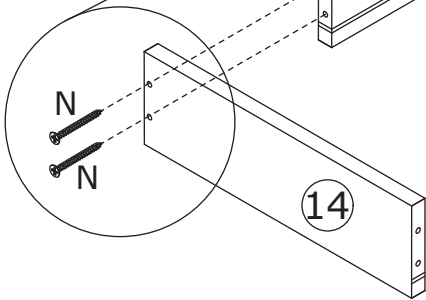
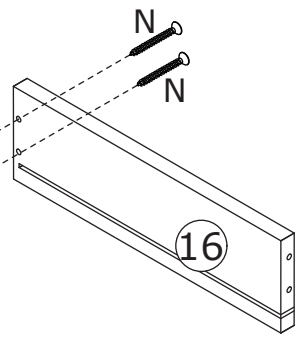
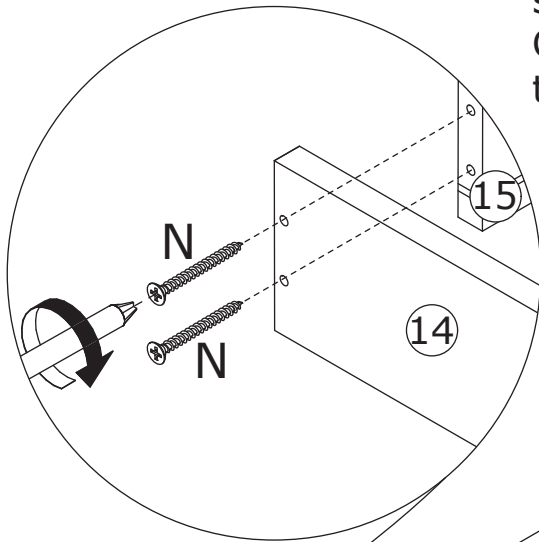
Screw eccentric rod (A) onto Part 15 as shown.



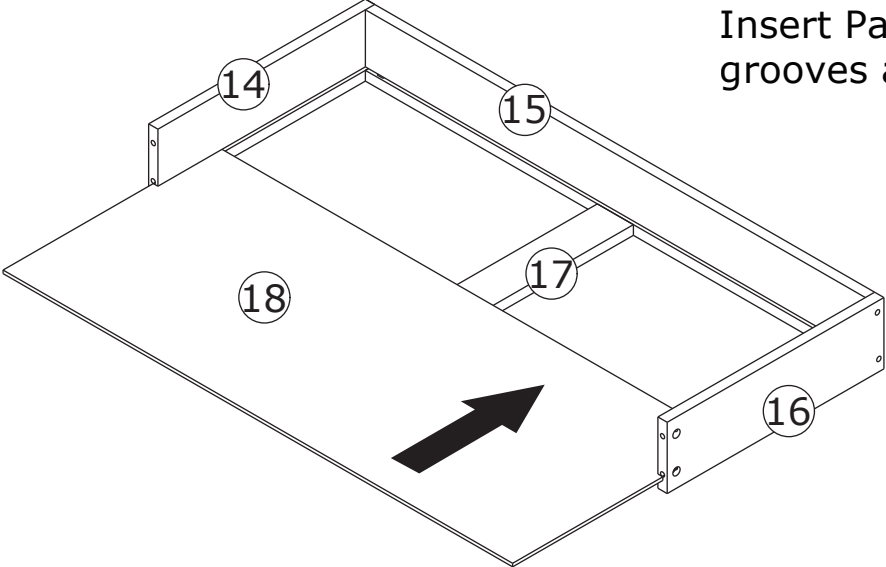
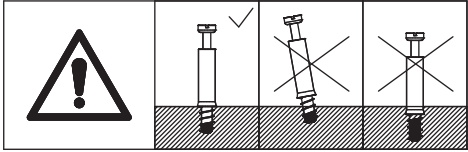
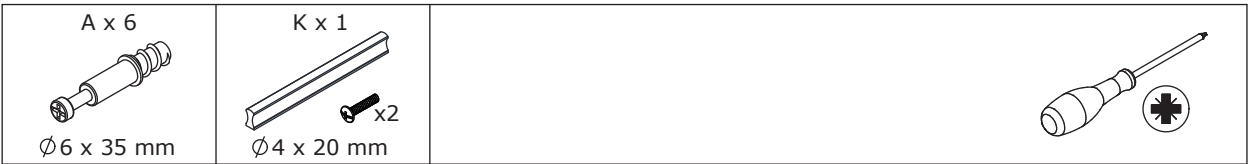
23



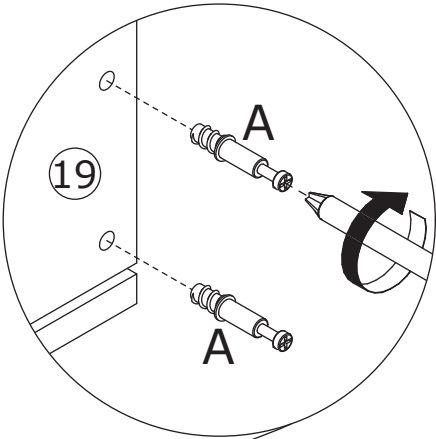
Secure Part 14 and 16 to Part 15 with screw (N).
Connect Part 17 to Part 15, tighten by turning cam lock (L) clockwise, as shown.



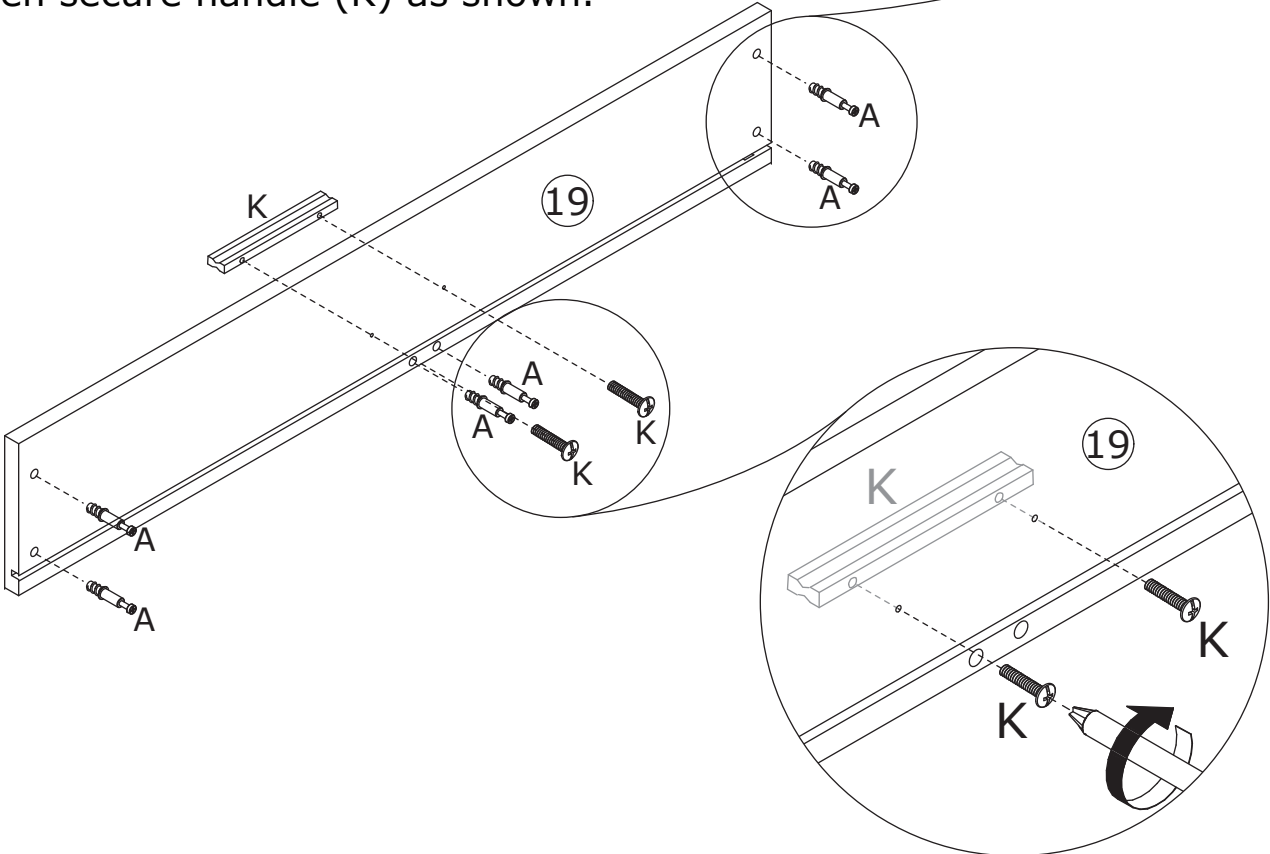
24



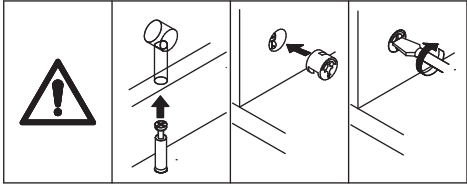
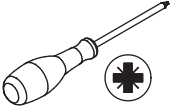
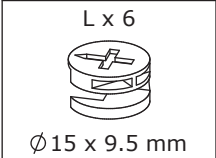
Insert Part 18 along the grooves as shown.



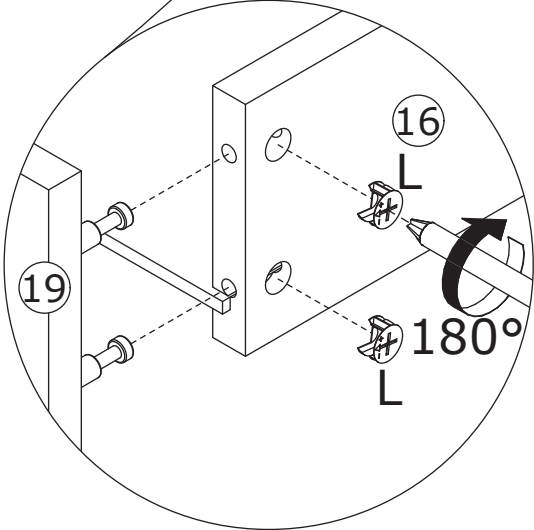
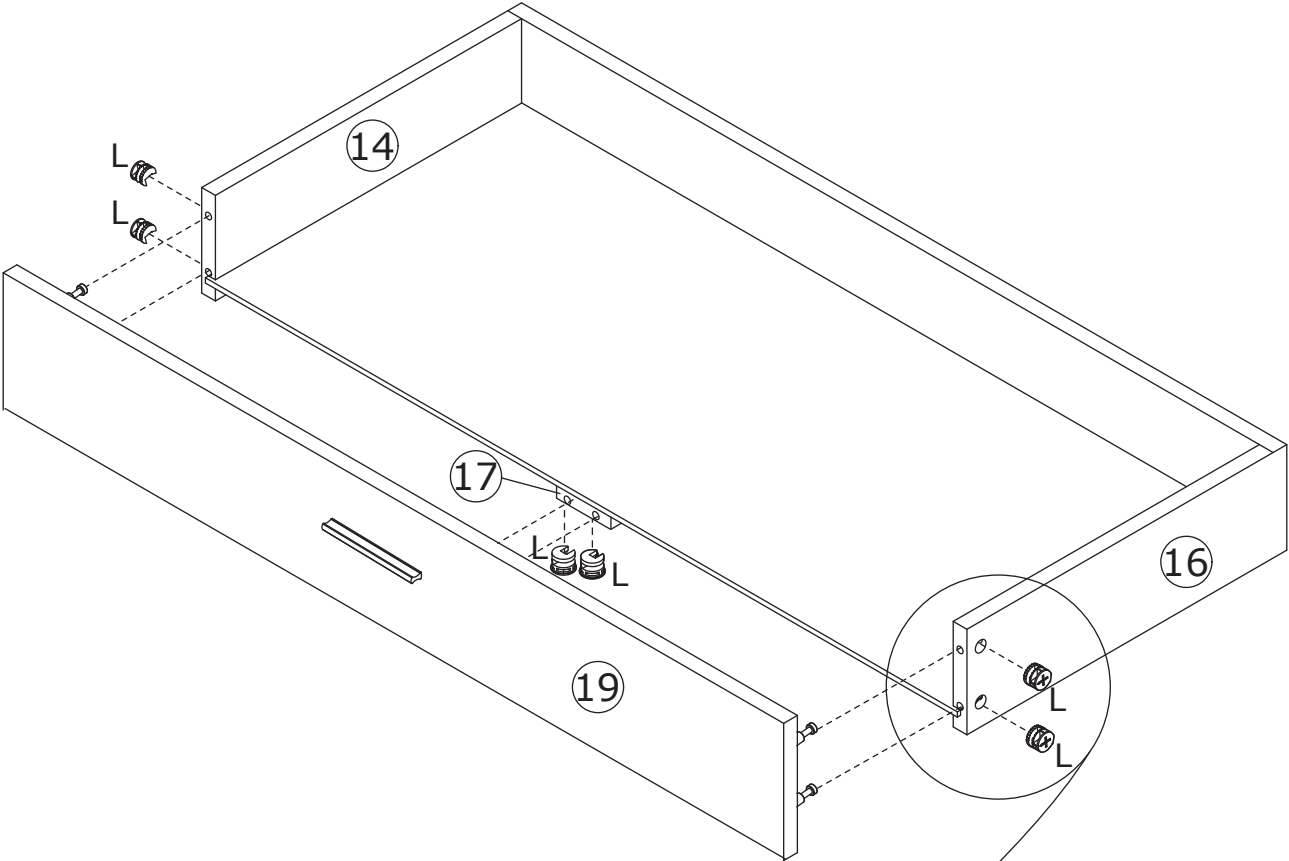
Screw eccentric rod (A) onto Part 19, then secure handle (K) as shown.



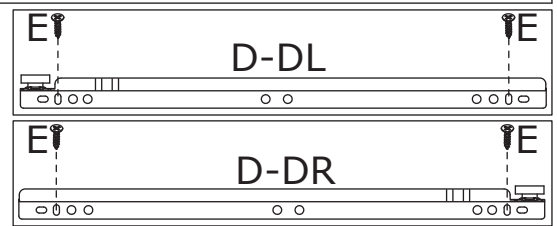
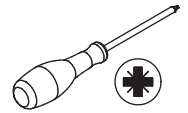
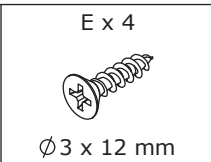
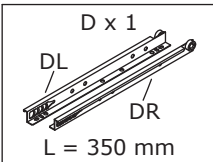
25



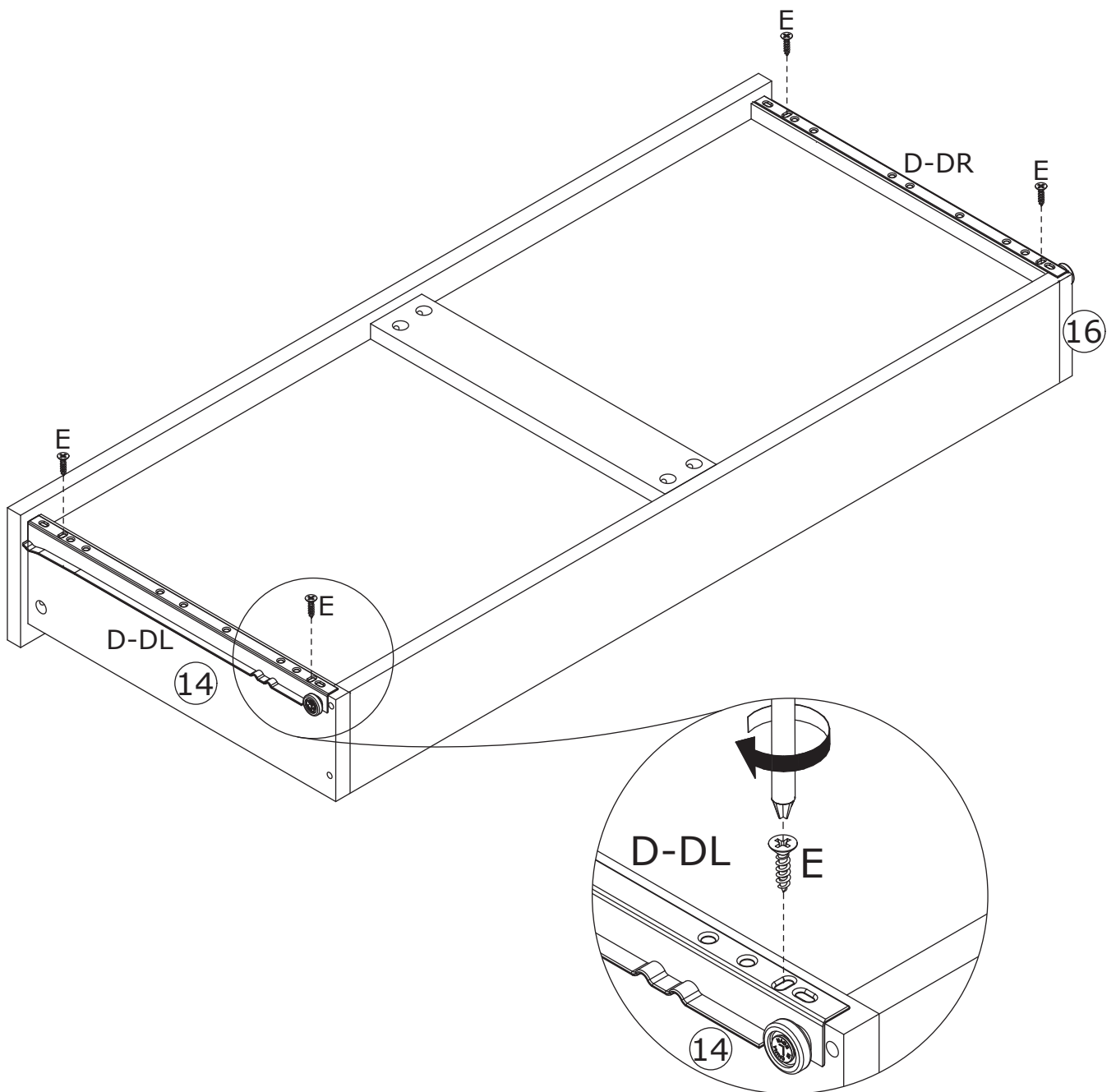
Connect Part 19 to Part 14, 17, and 16, tighten by turning cam lock (L) clockwise, as shown.



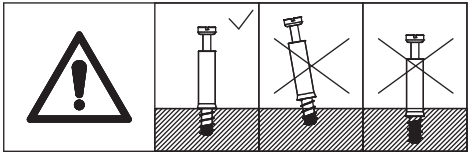
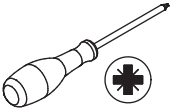
26



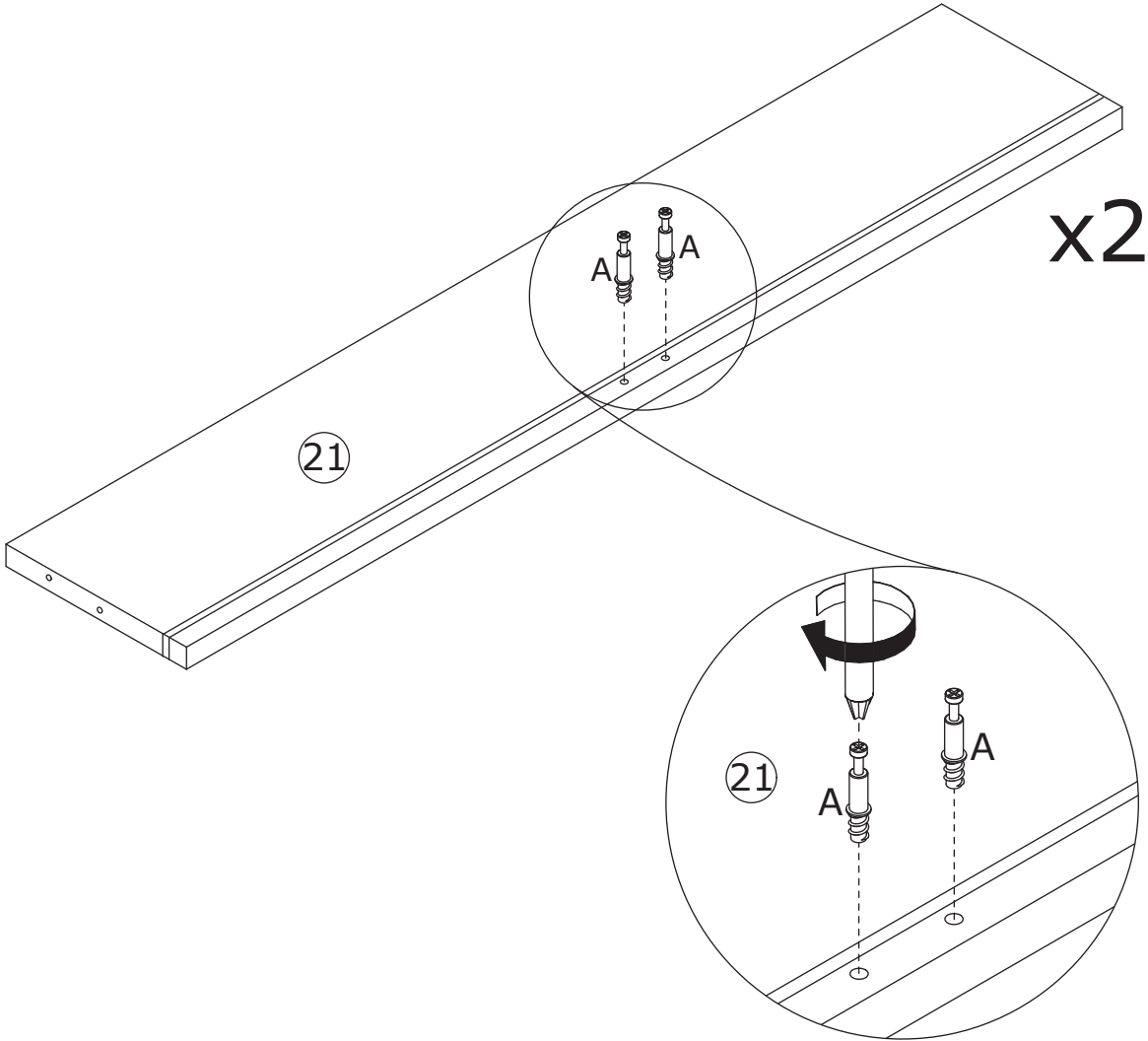
Secure slide rail (D-DL) and (D-DR) to Part 14 and 16 respectively with screw (E) as shown.



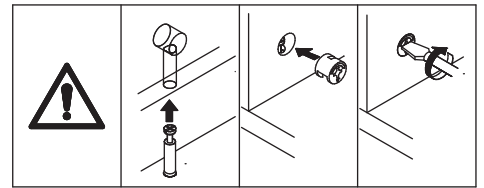
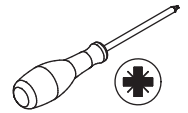
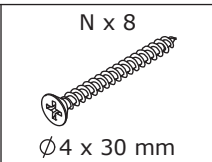
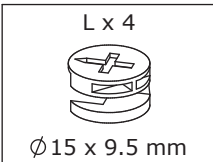
27



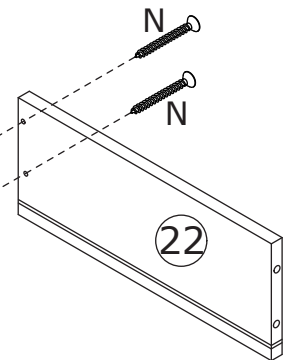
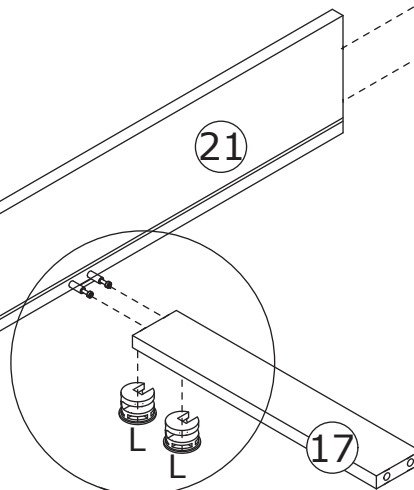
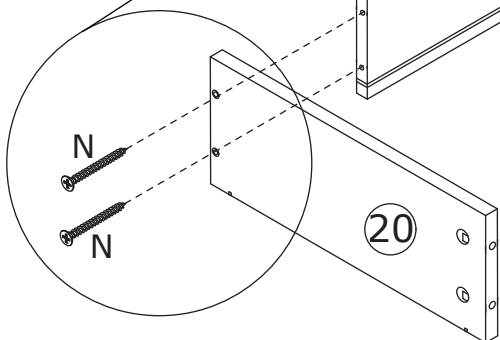
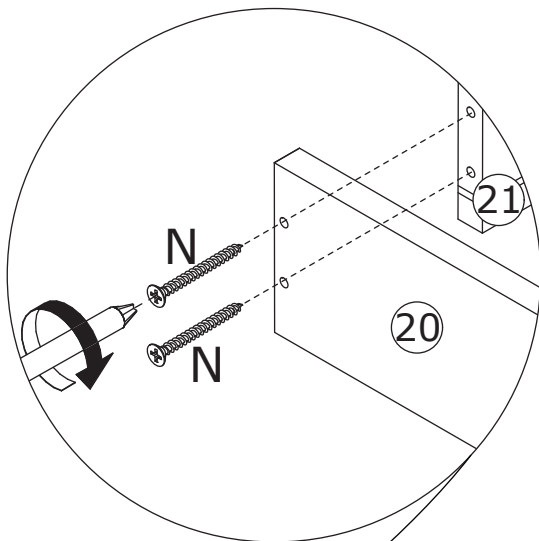
Screw eccentric rod (A) onto Part 21 as shown.



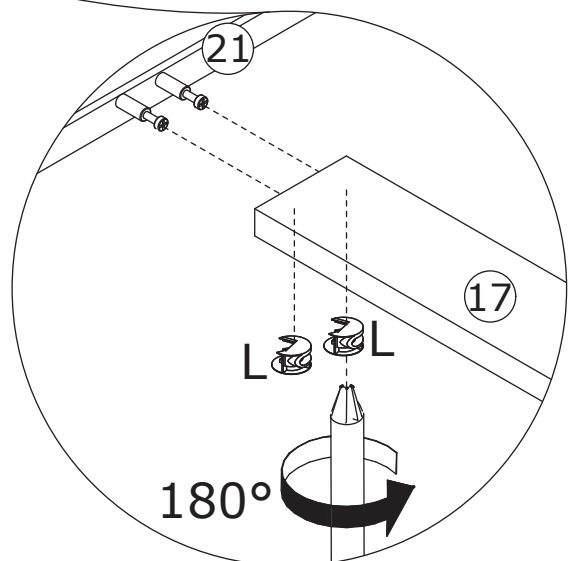
28



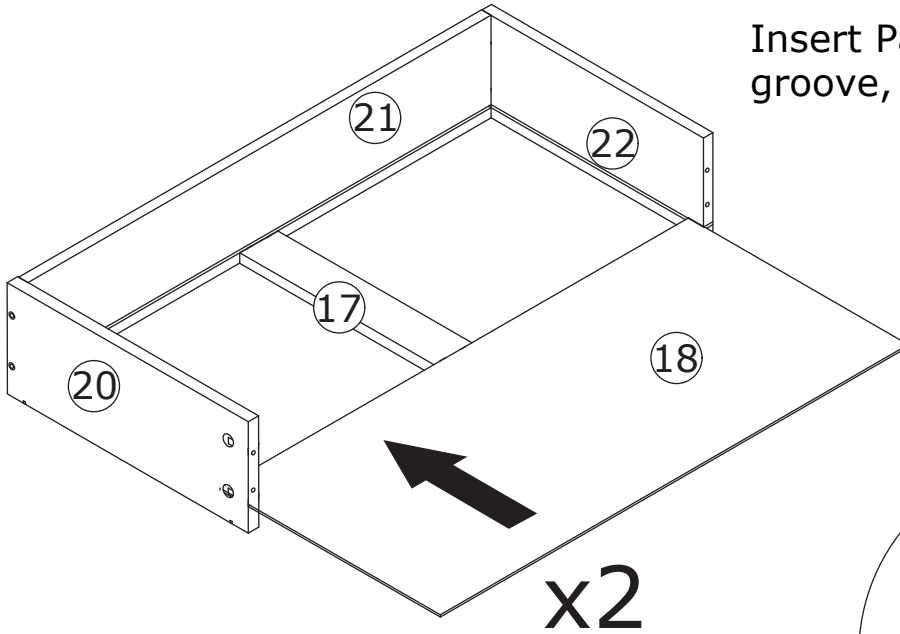
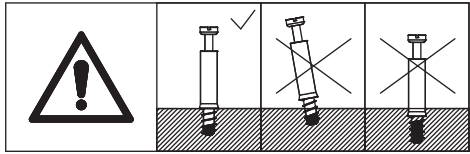
Secure Part 21 to Part 20 and 22 with screw (N).
connect Part 17 to Part 21, tighten by turning cam lock (L) clockwise, as shown.



x2

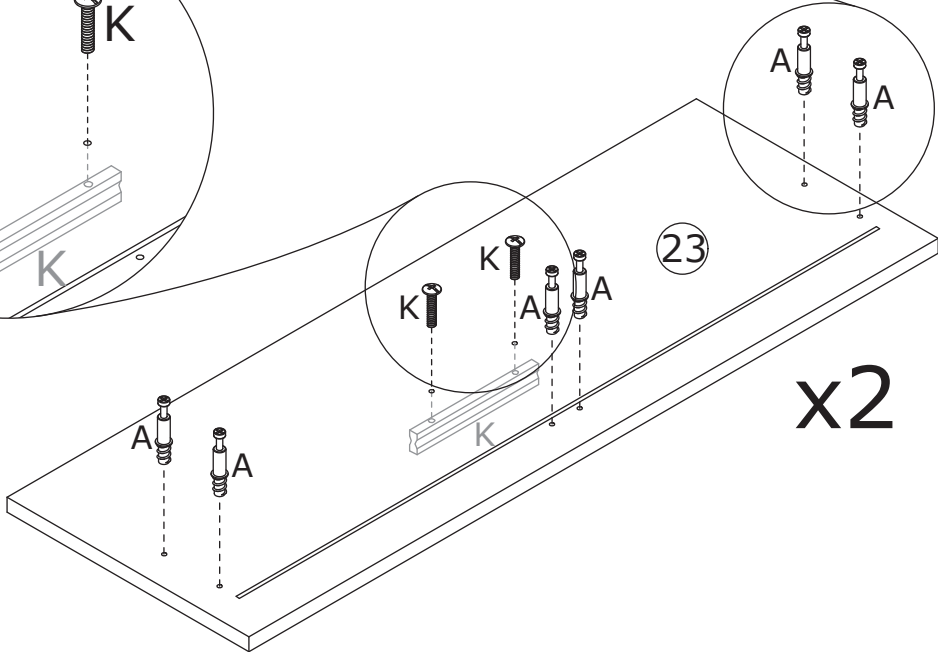
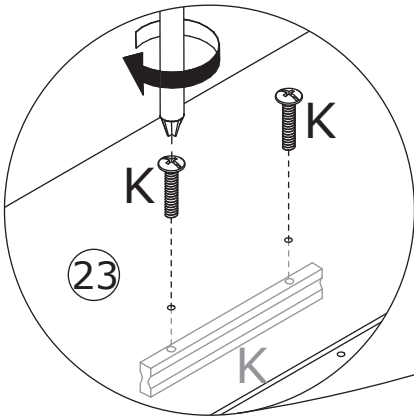
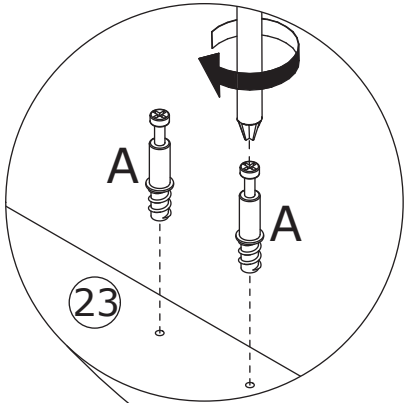


29



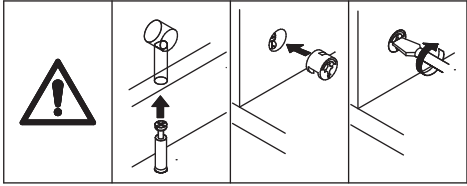
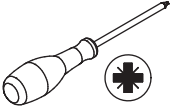
Insert Part 18 along the groove, as shown.

Screw eccentric rod (A) onto Part 23, then secure handle (K) as shown.

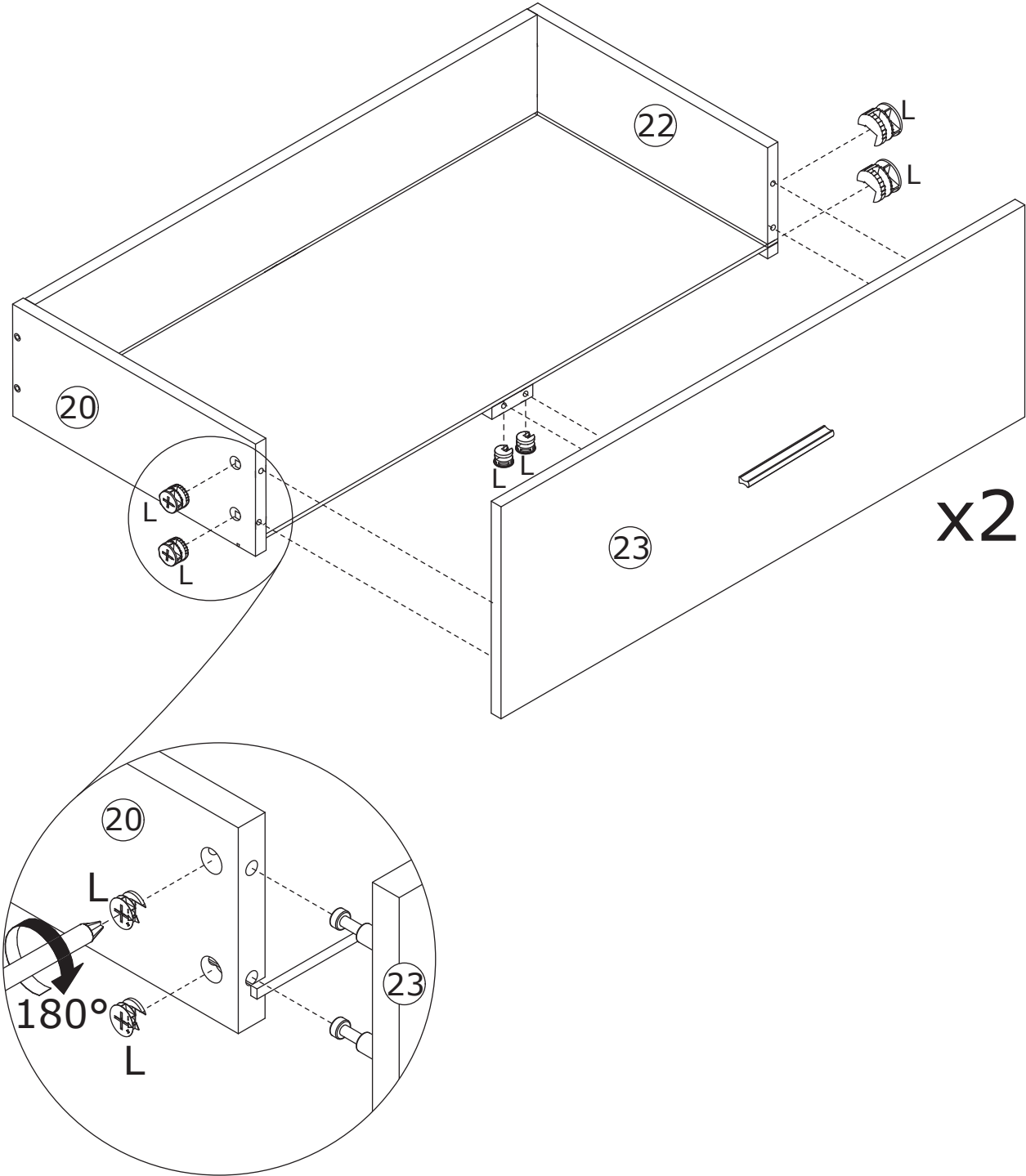


30

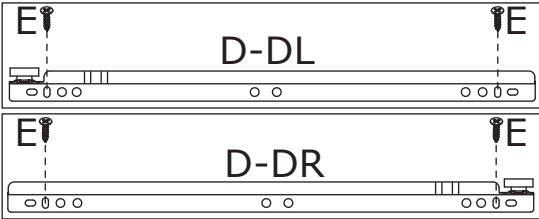
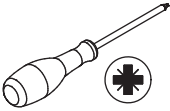
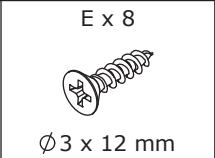
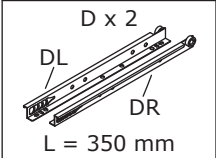
L x 12
Ø15 x 9.5 mm



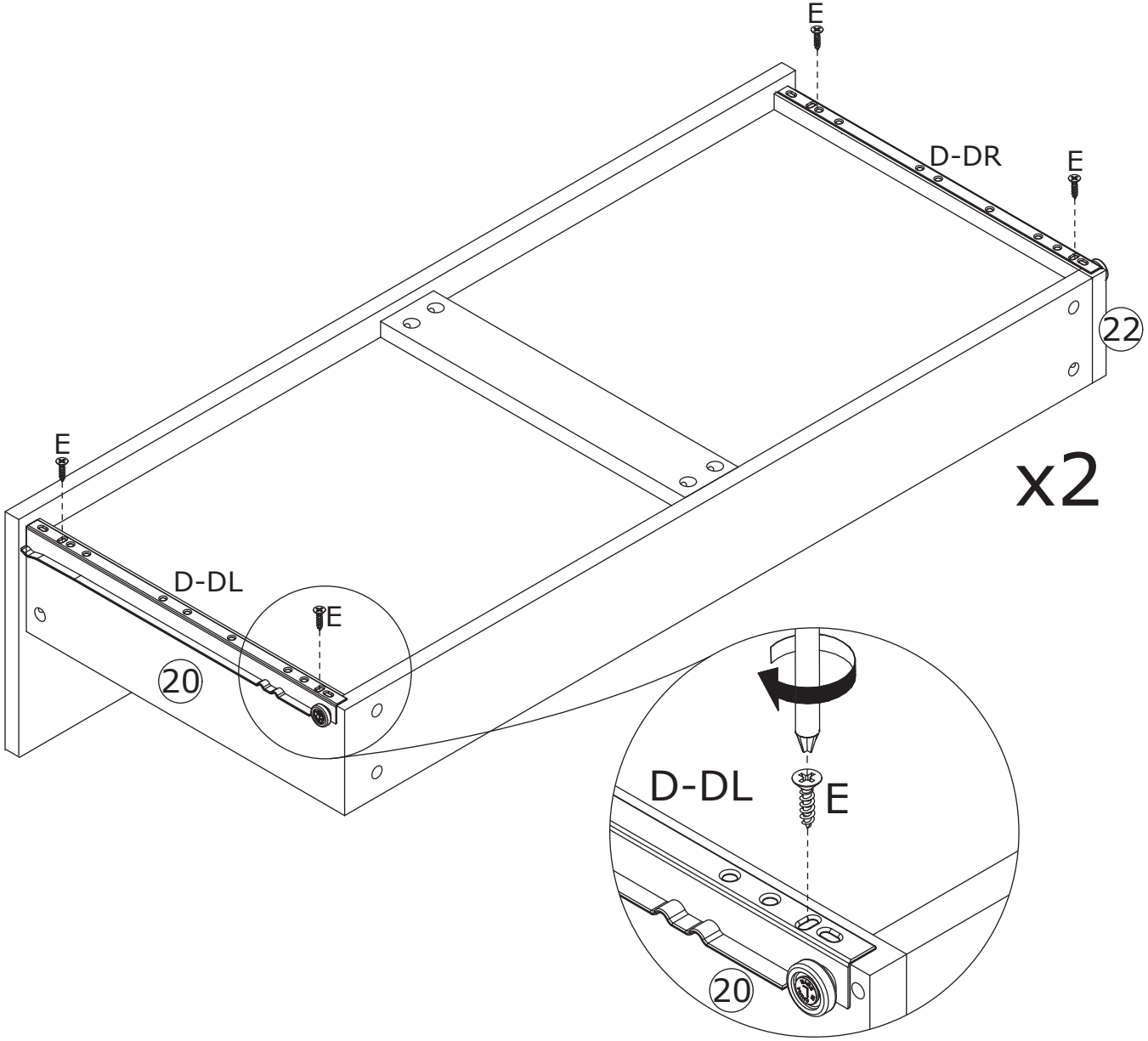
Connect Part 23 to Part 20, 17 and 22, tighten by turning cam lock (L) clockwise, as shown.



31

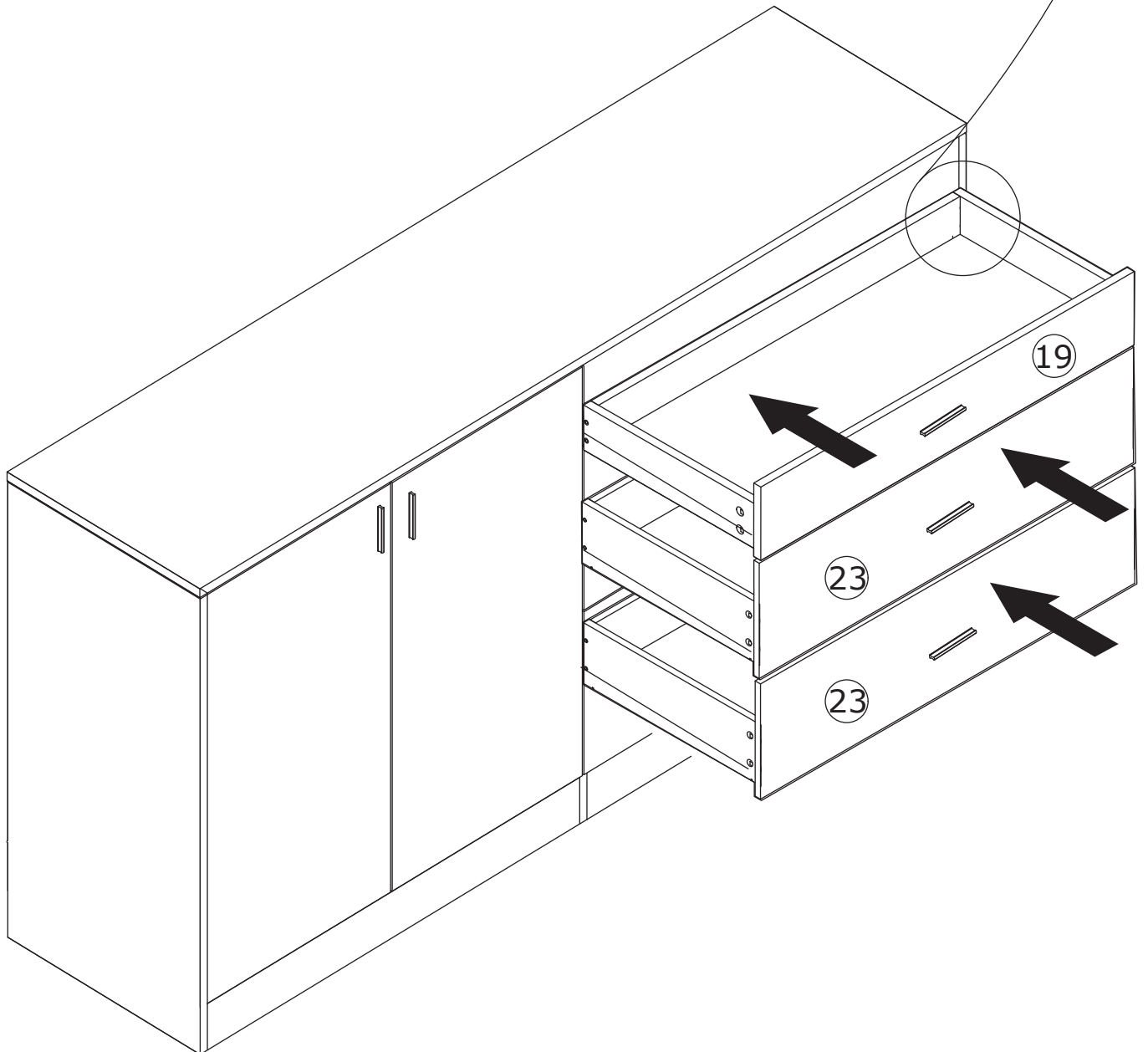
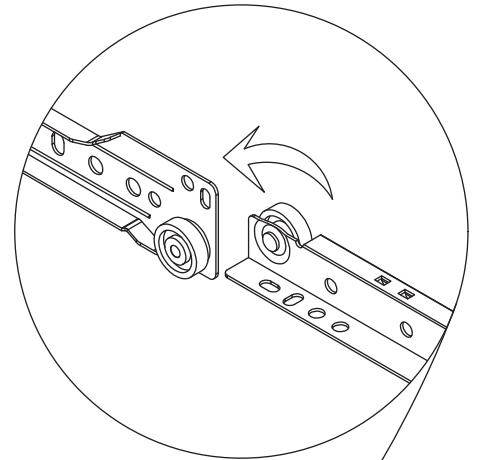


Secure slide rail (D-DL) and (D-DR) to Part 20 and 22 respectively with screw (E) as shown.

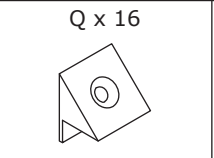
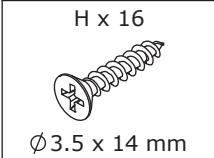


32

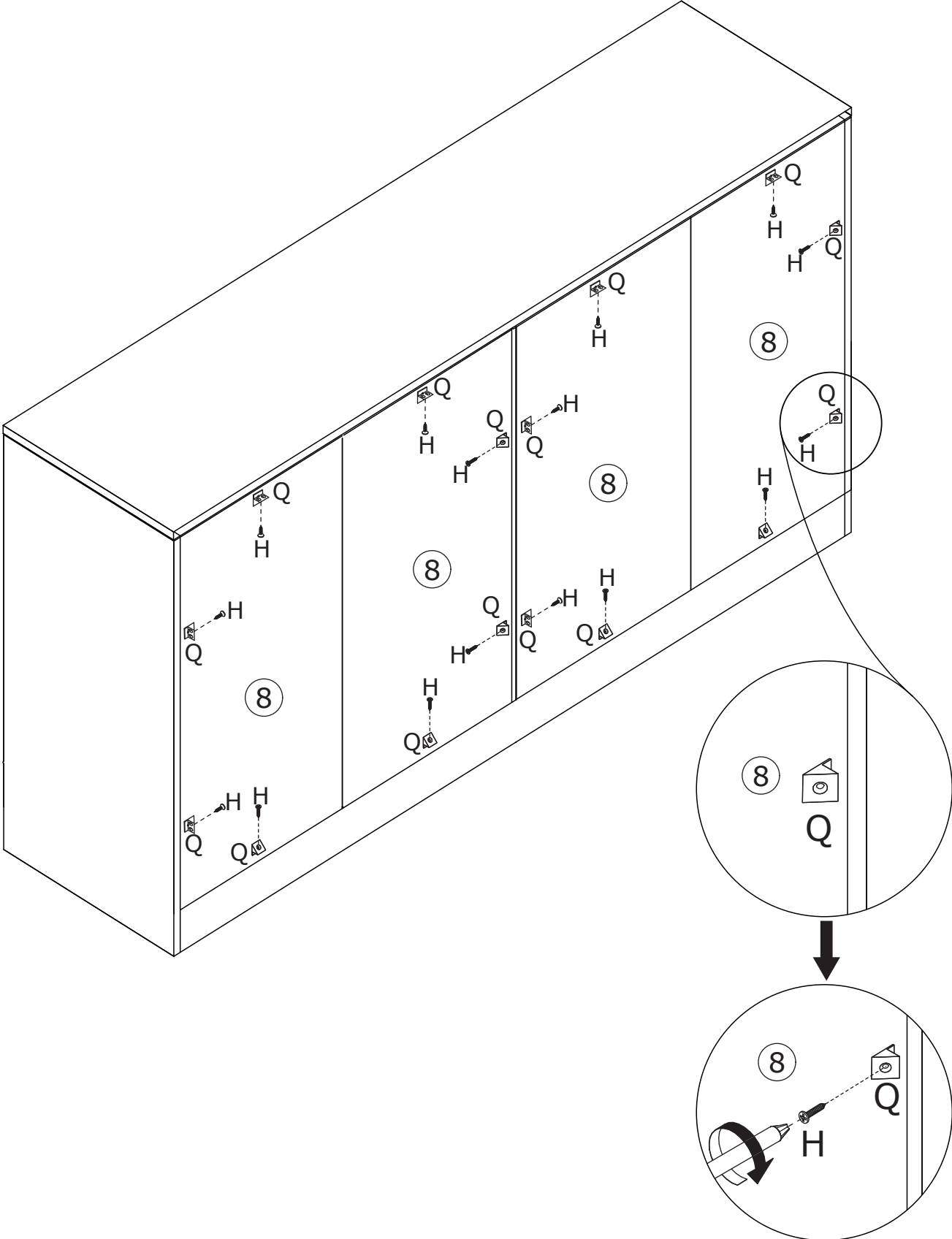
Align the slide rails and insert all drawers.



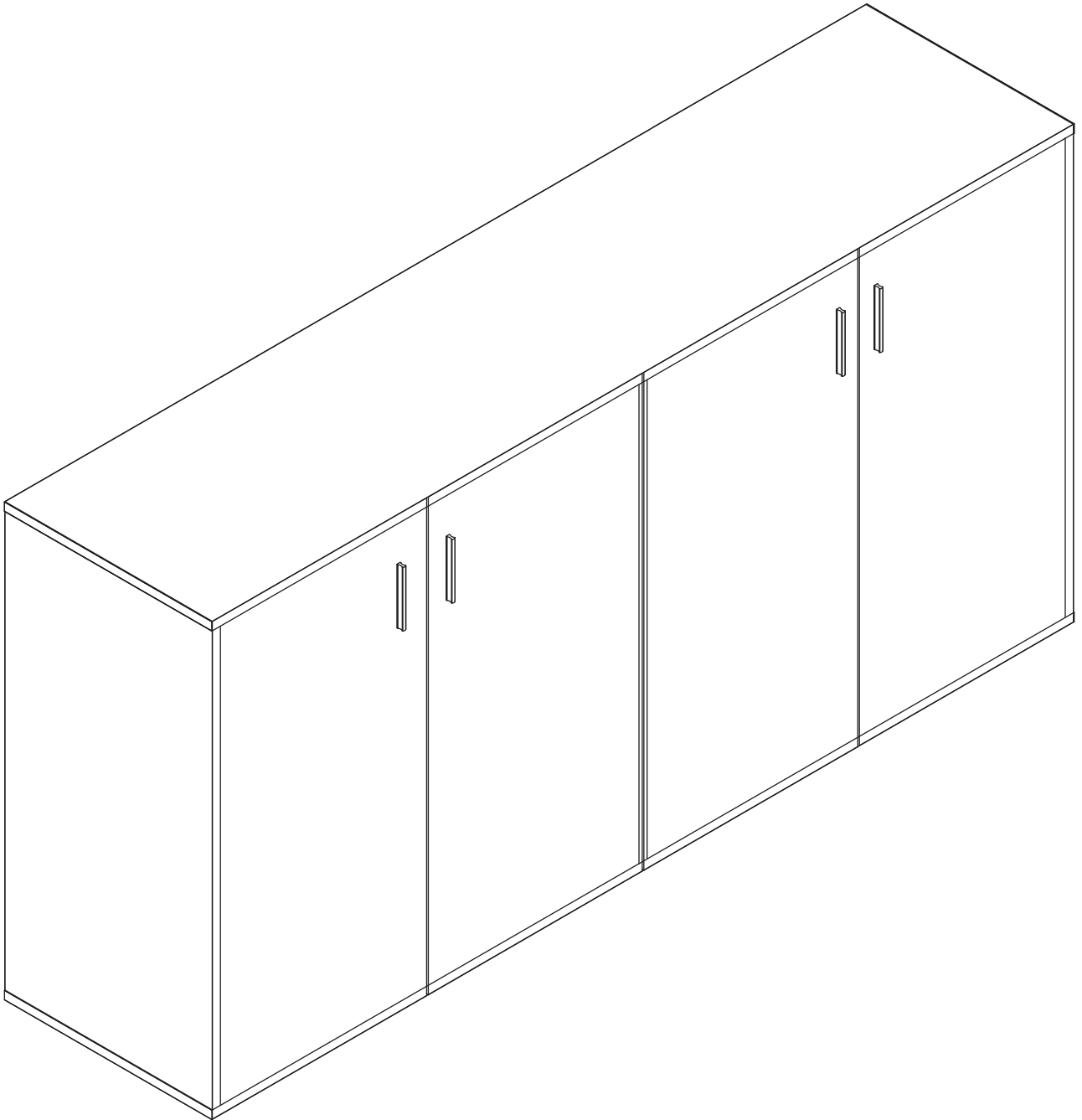
33



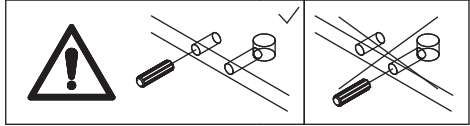
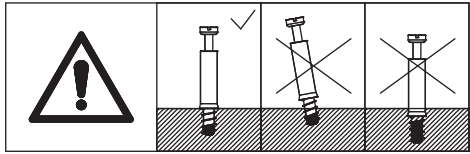
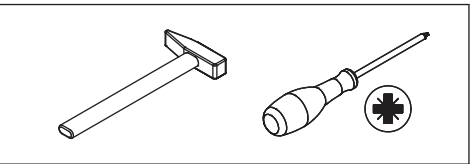
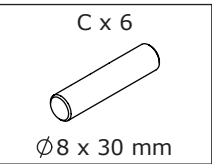
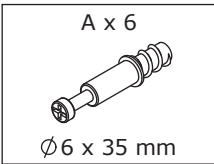
Insert clip (Q) into back slots and secure with screw (H).



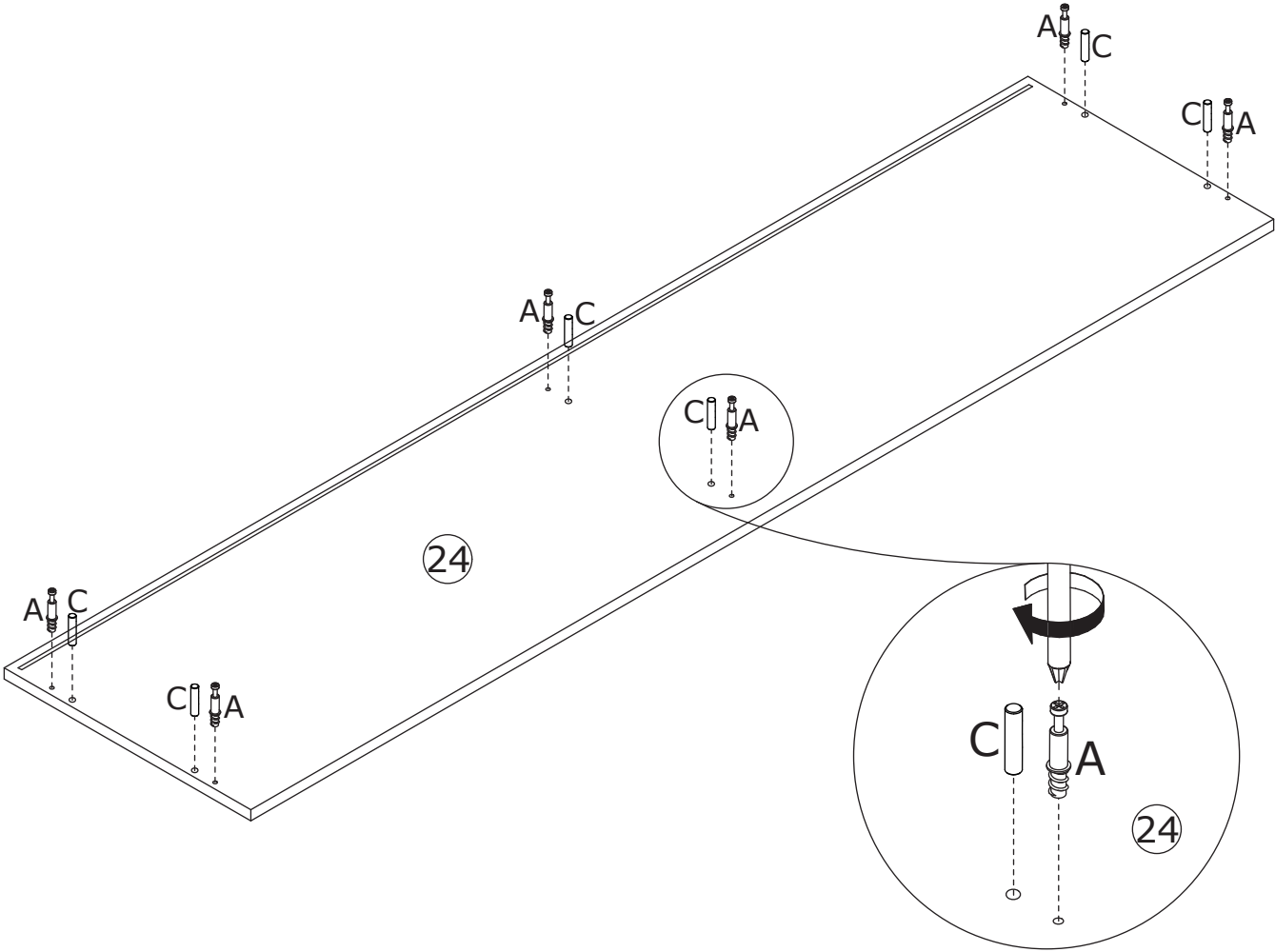
34



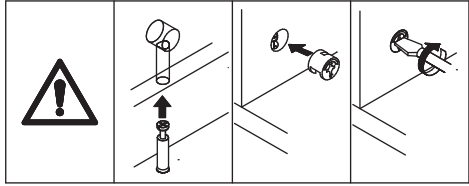
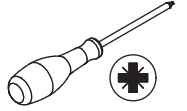
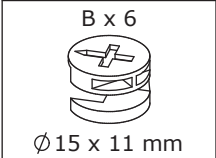
35



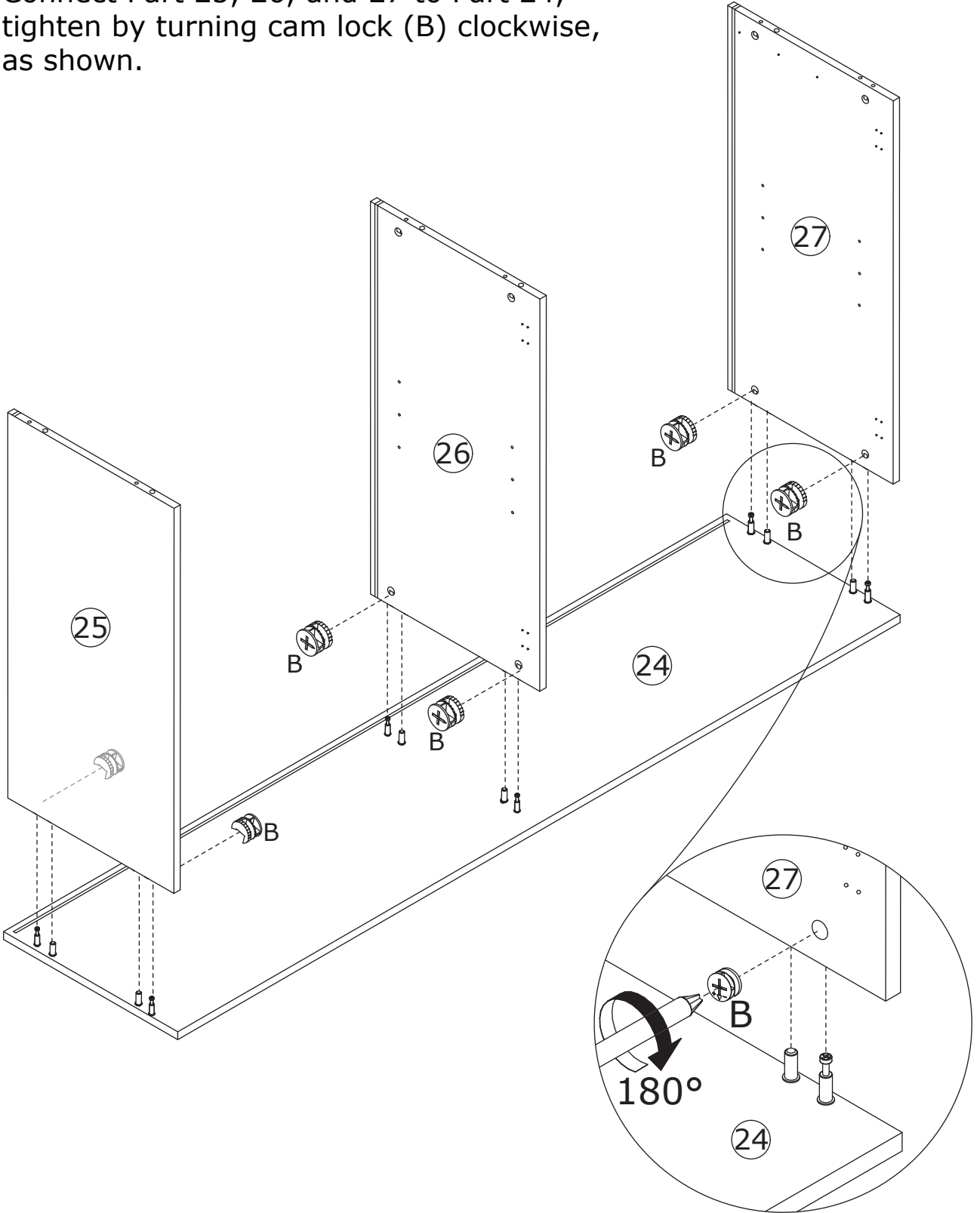
Screw eccentric rod (A) and insert wooden dowel (C) onto Part 24 as shown.



36

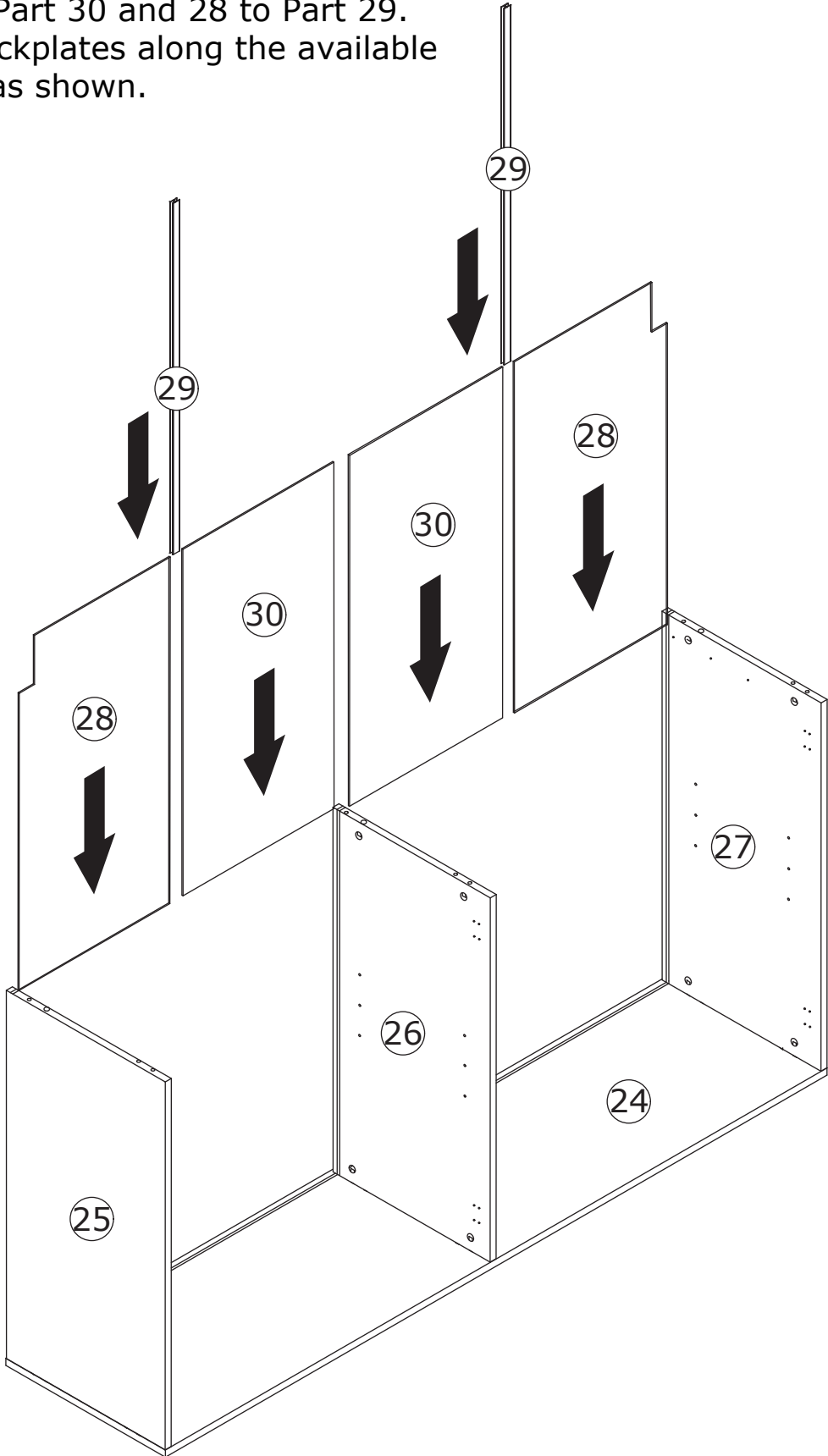


Connect Part 25, 26, and 27 to Part 24, tighten by turning cam lock (B) clockwise, as shown.

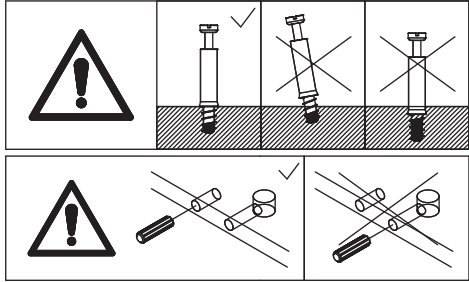
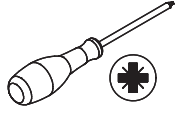
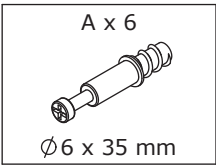


37

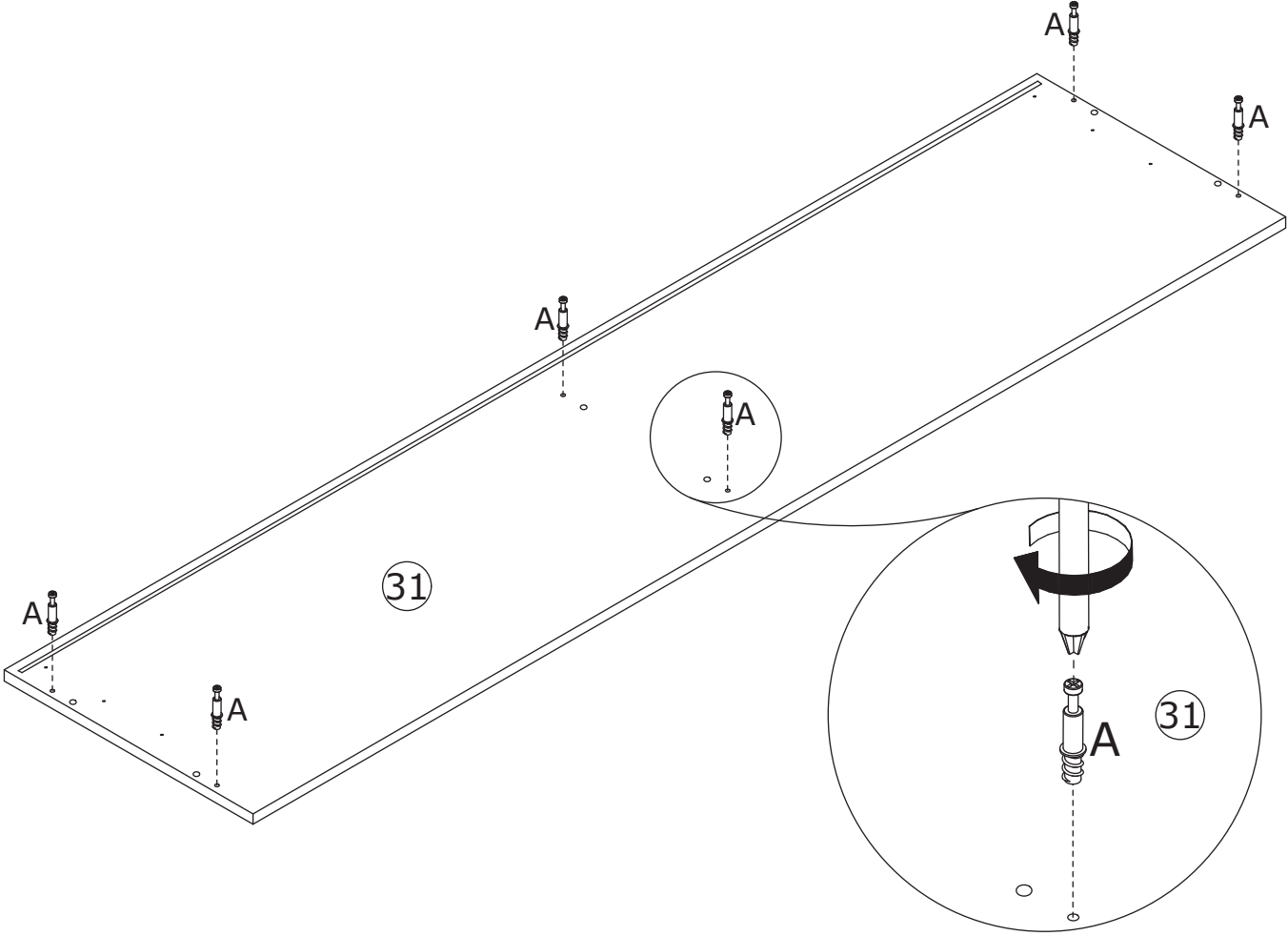
Connect Part 30 and 28 to Part 29.
Insert backplates along the available
grooves as shown.



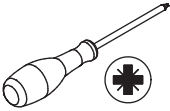
38



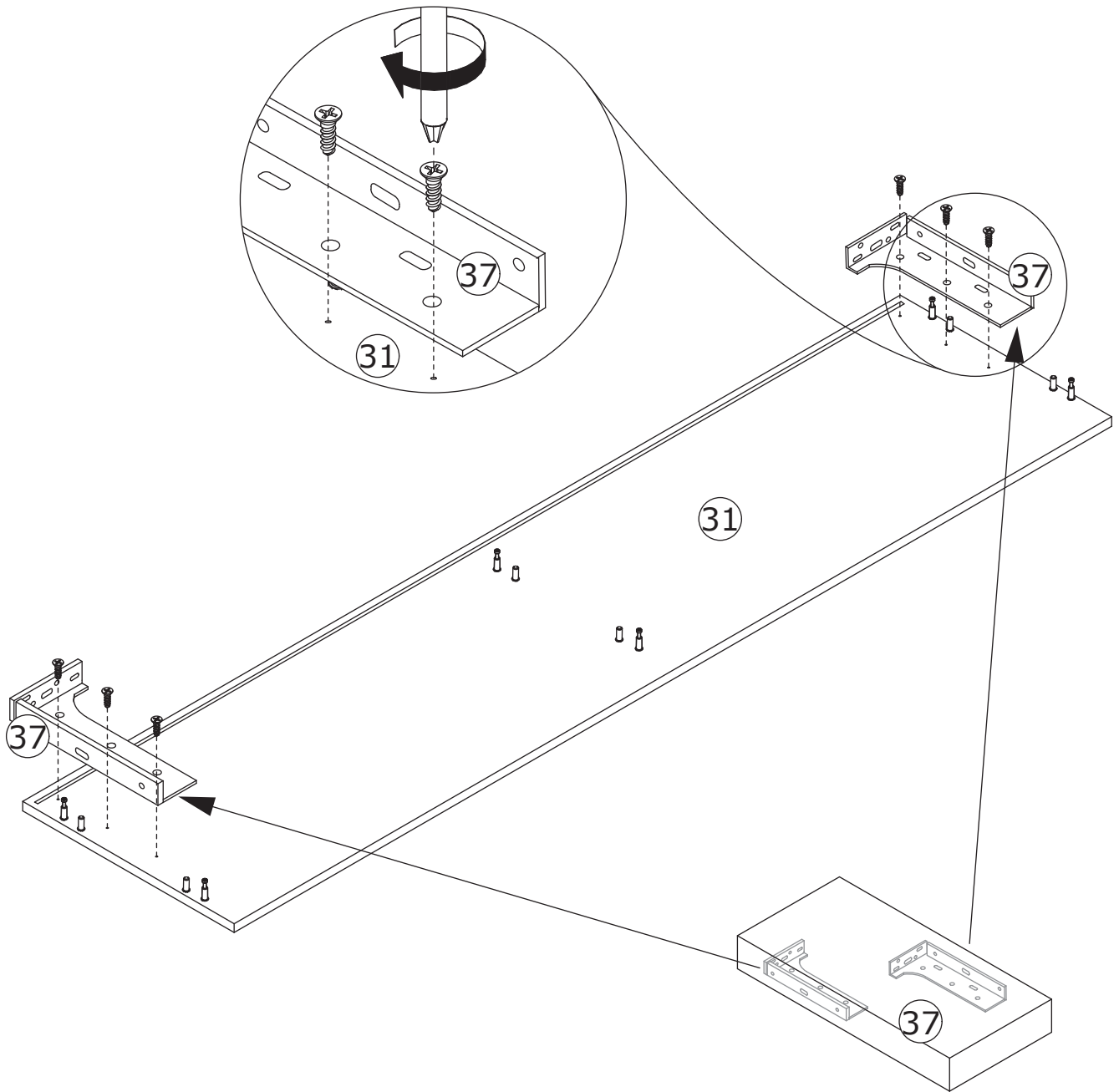
Screw eccentric rod (A) onto Part 31 as shown.



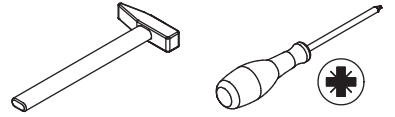
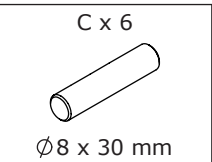
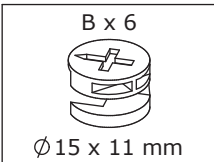
39



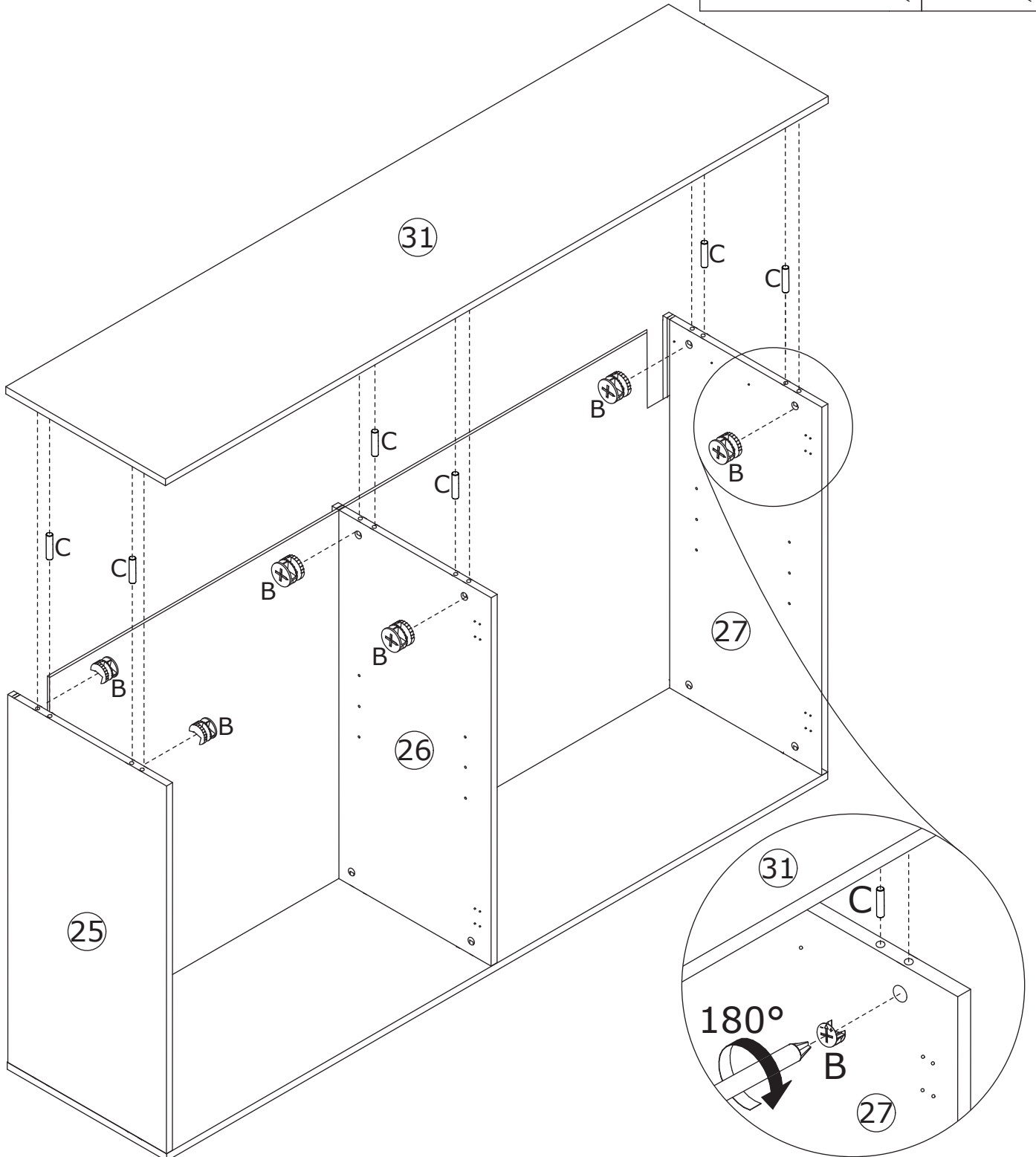
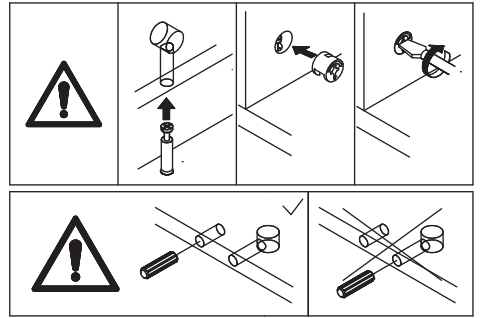
Secure Part 37 to Part 31 as shown.



40



Connect Part 31 to Part 24, 26, and 27 using wooden dowel (C), tighten by turning cam lock (B) clockwise, as shown.

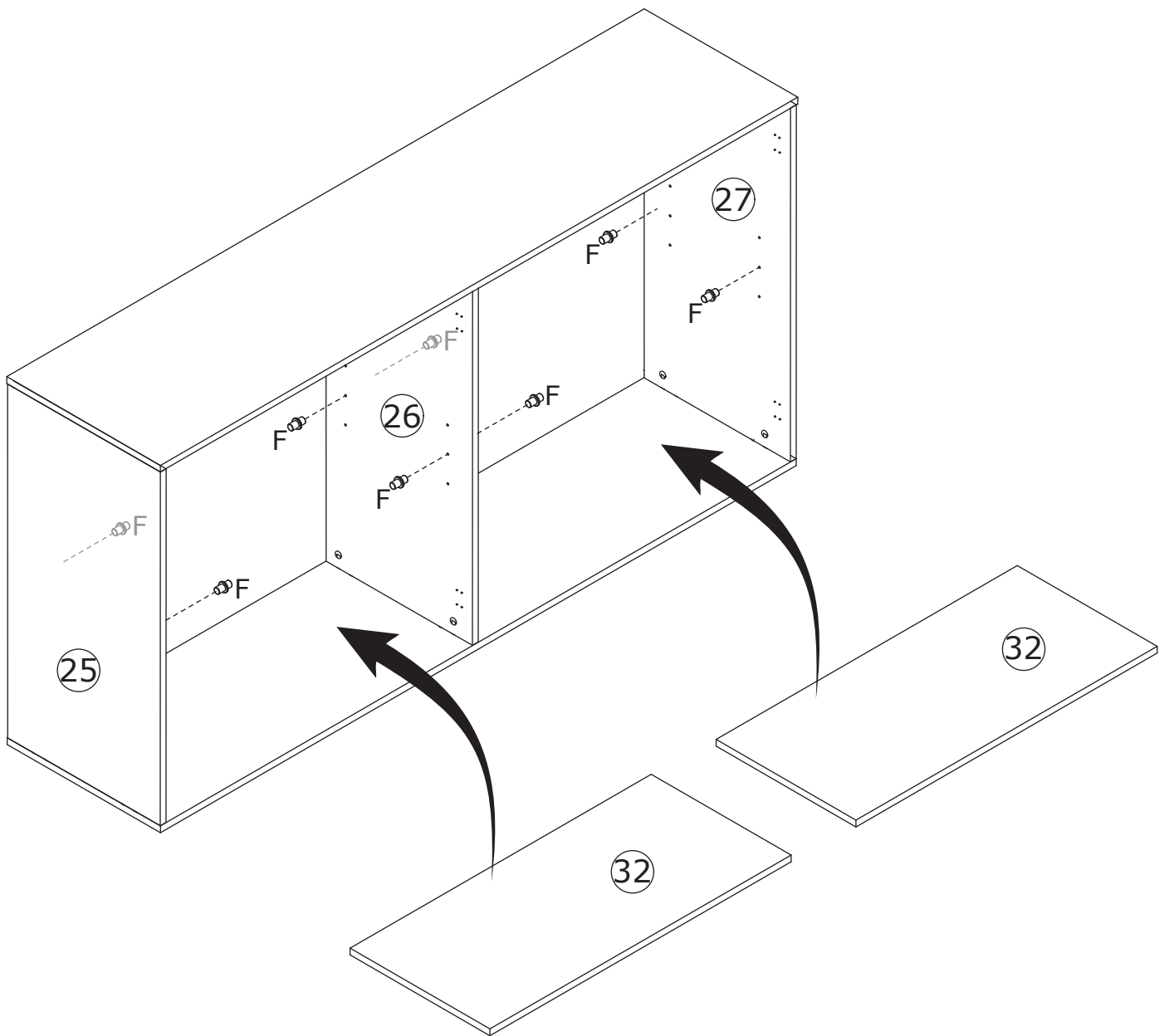


41

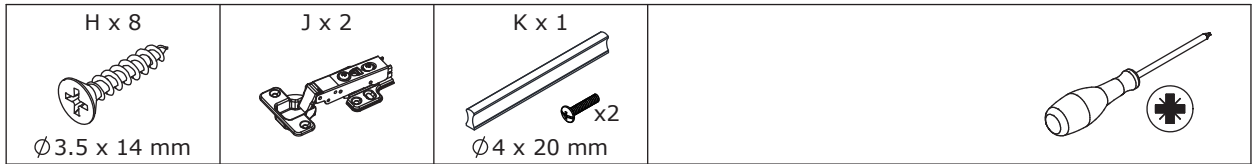
F x 4



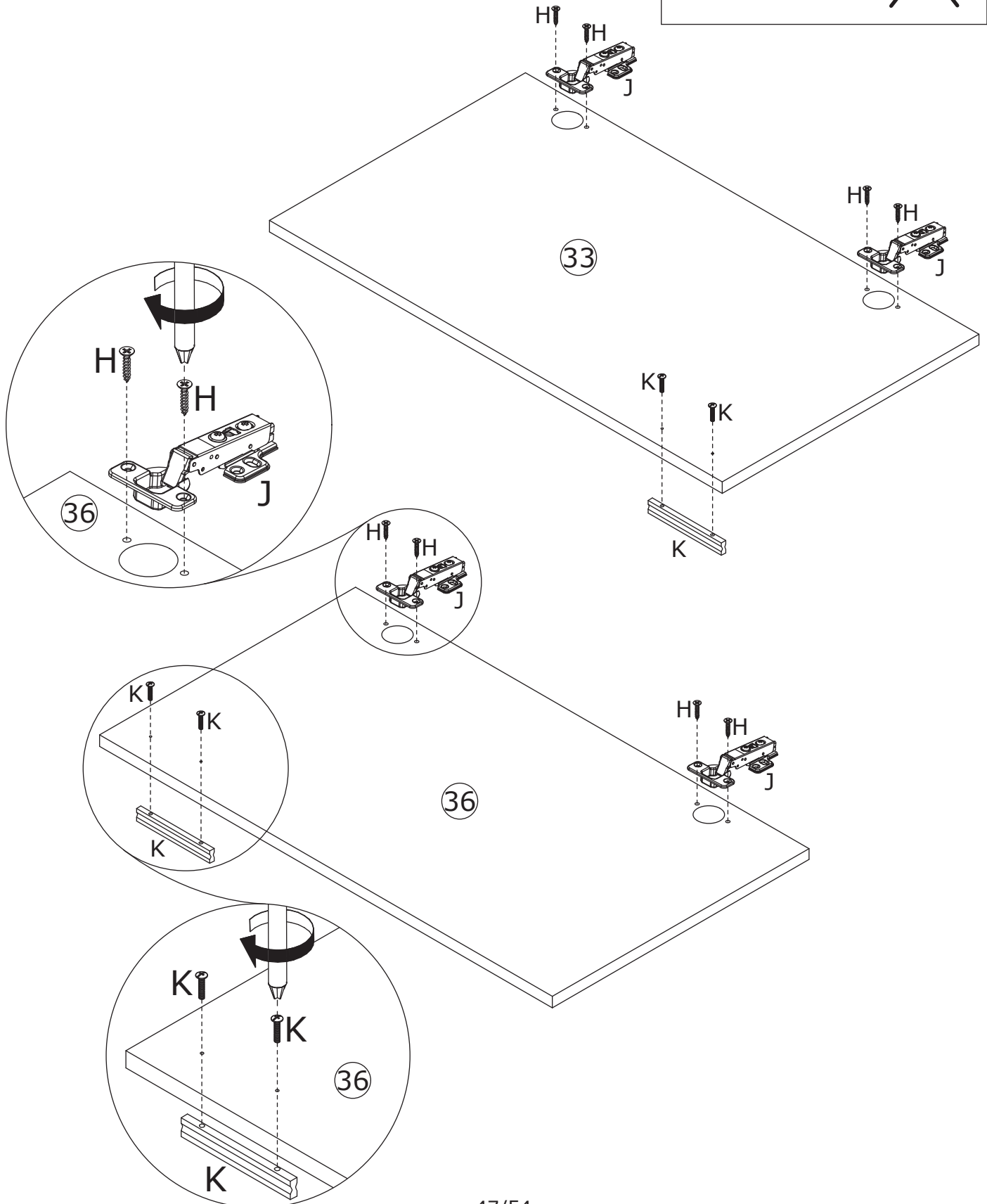
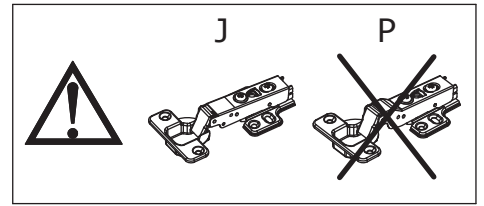
Insert pin (F) into Part 25, 26, and 27,
then place Part 32 on as shown.



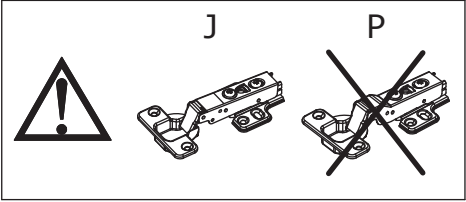
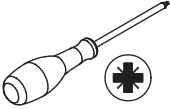
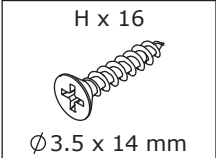
42



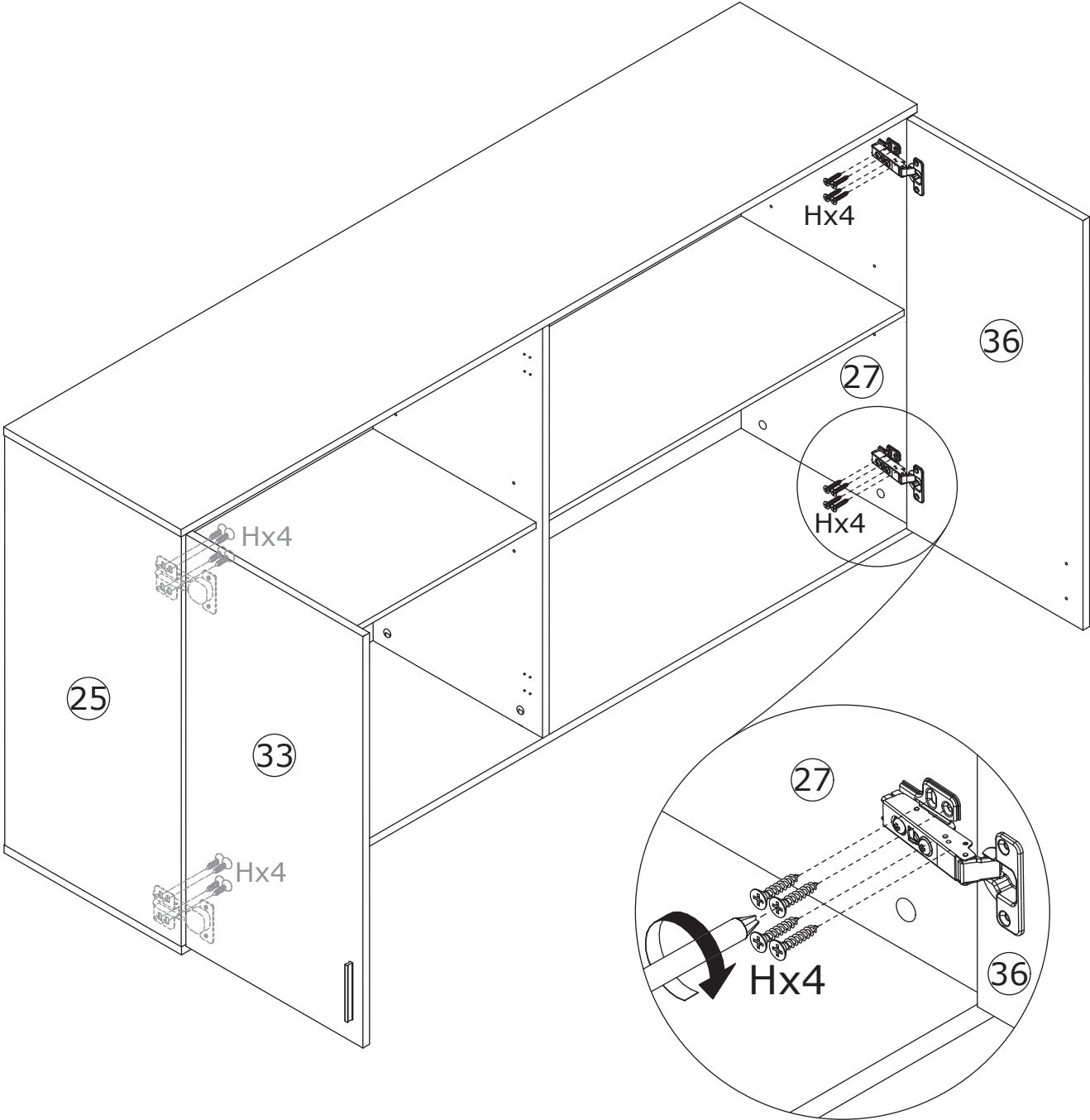
Secure hinge (J) to Part 33 and 36 with screw (H), then secure handle (K) as shown.





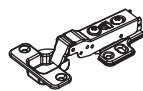
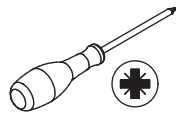
43

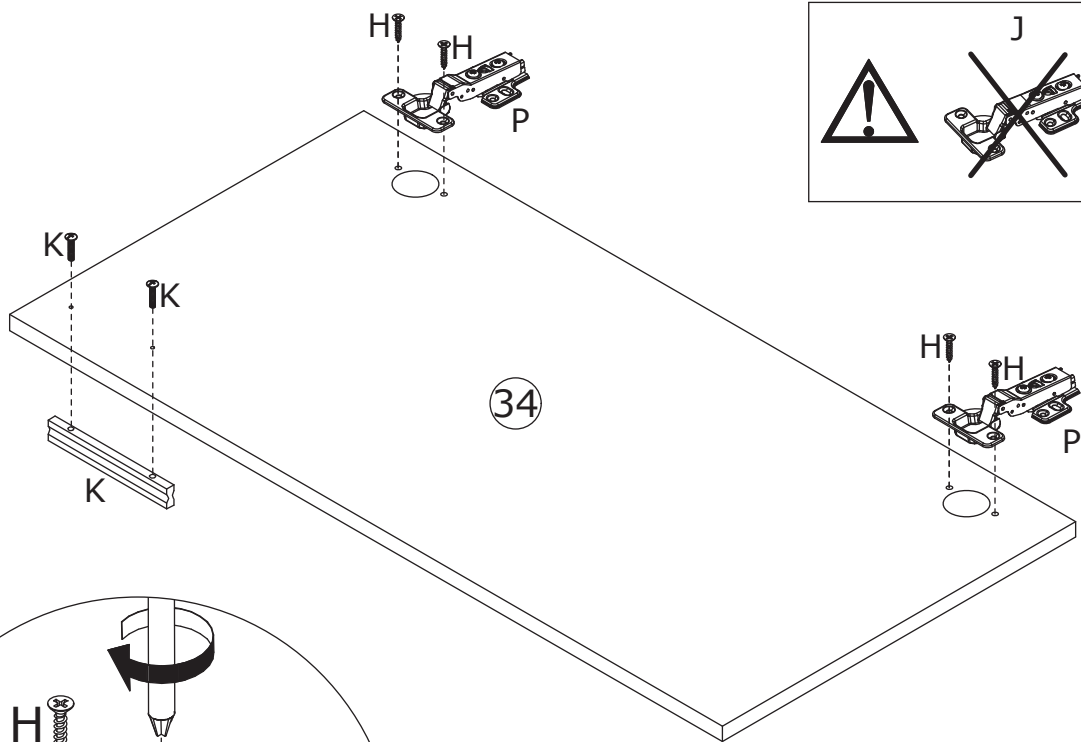
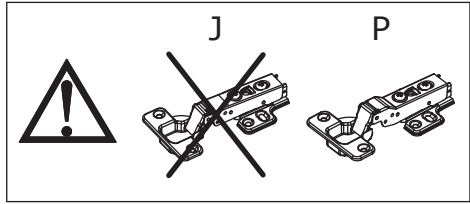


Connect Part 33 and 36 to Part 25 and 27 by securing hinges with screw (H) as shown.

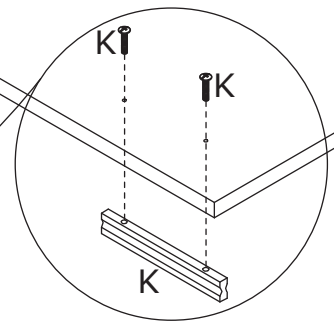
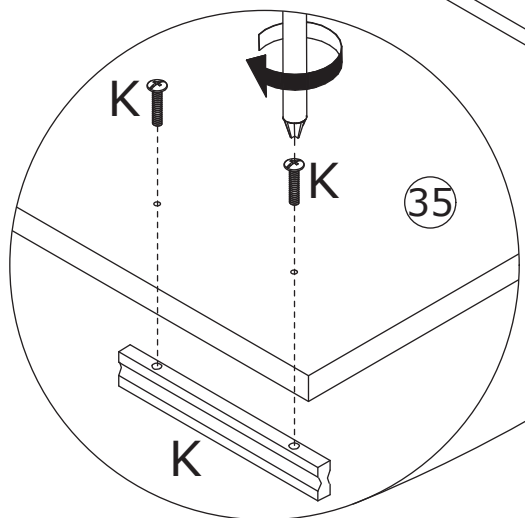
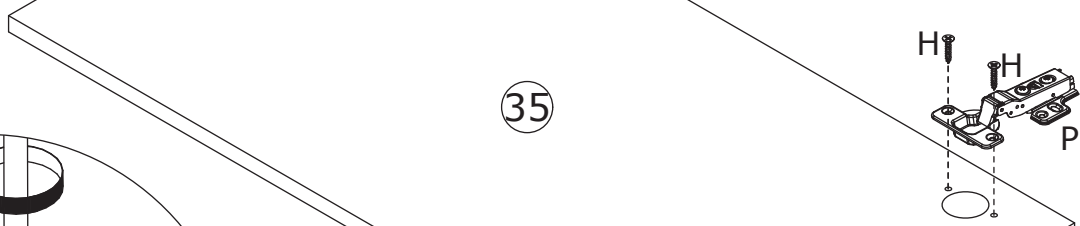
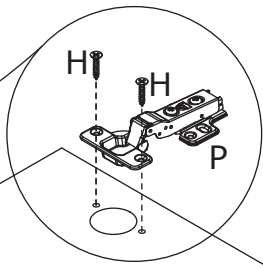
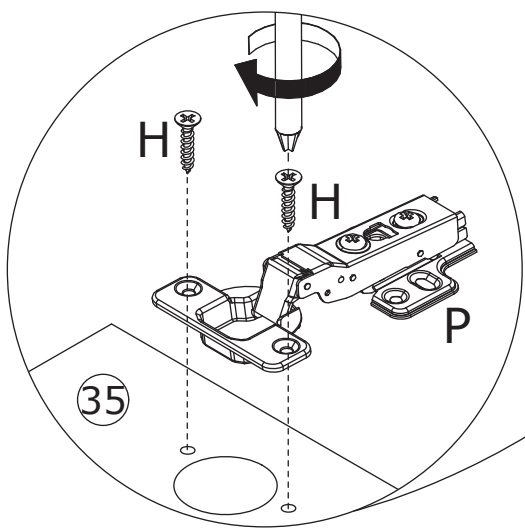


44

<p>H x 8 Ø 3.5 x 14 mm</p> 	<p>K x 1 Ø 4 x 20 mm</p> 	<p>P x 2</p> 	
--	--	--	---

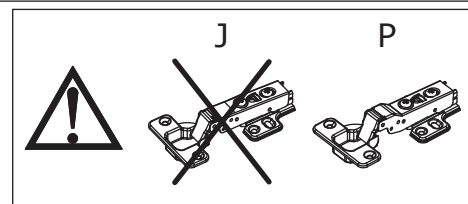
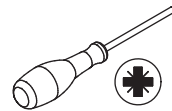


Secure hinge (P) to Part 34 and 35 with screw (H), then secure handle (K) as shown.

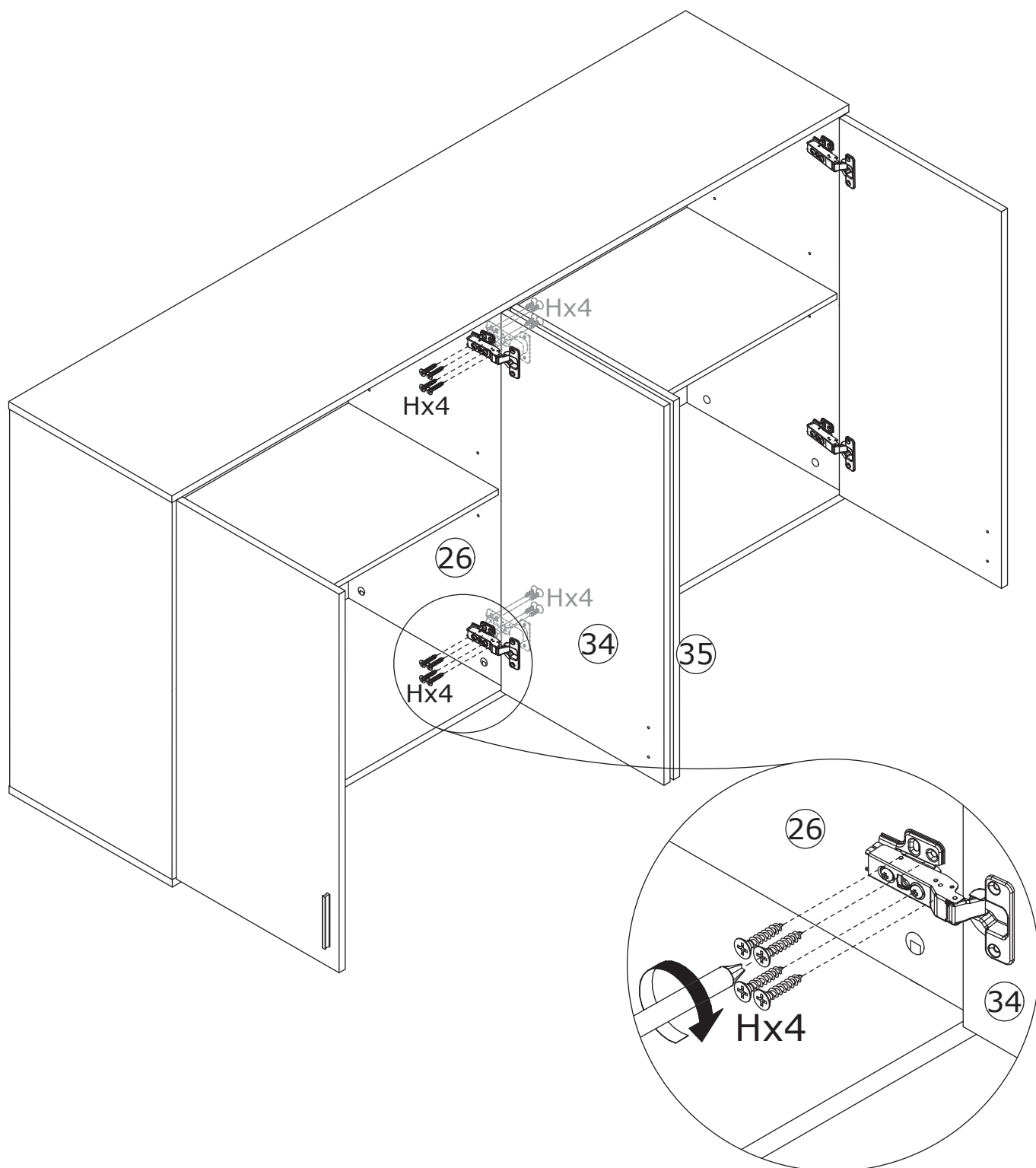


45

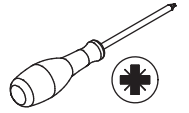
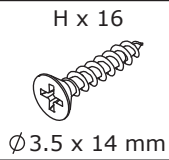
H x 16
Ø 3.5 x 14 mm



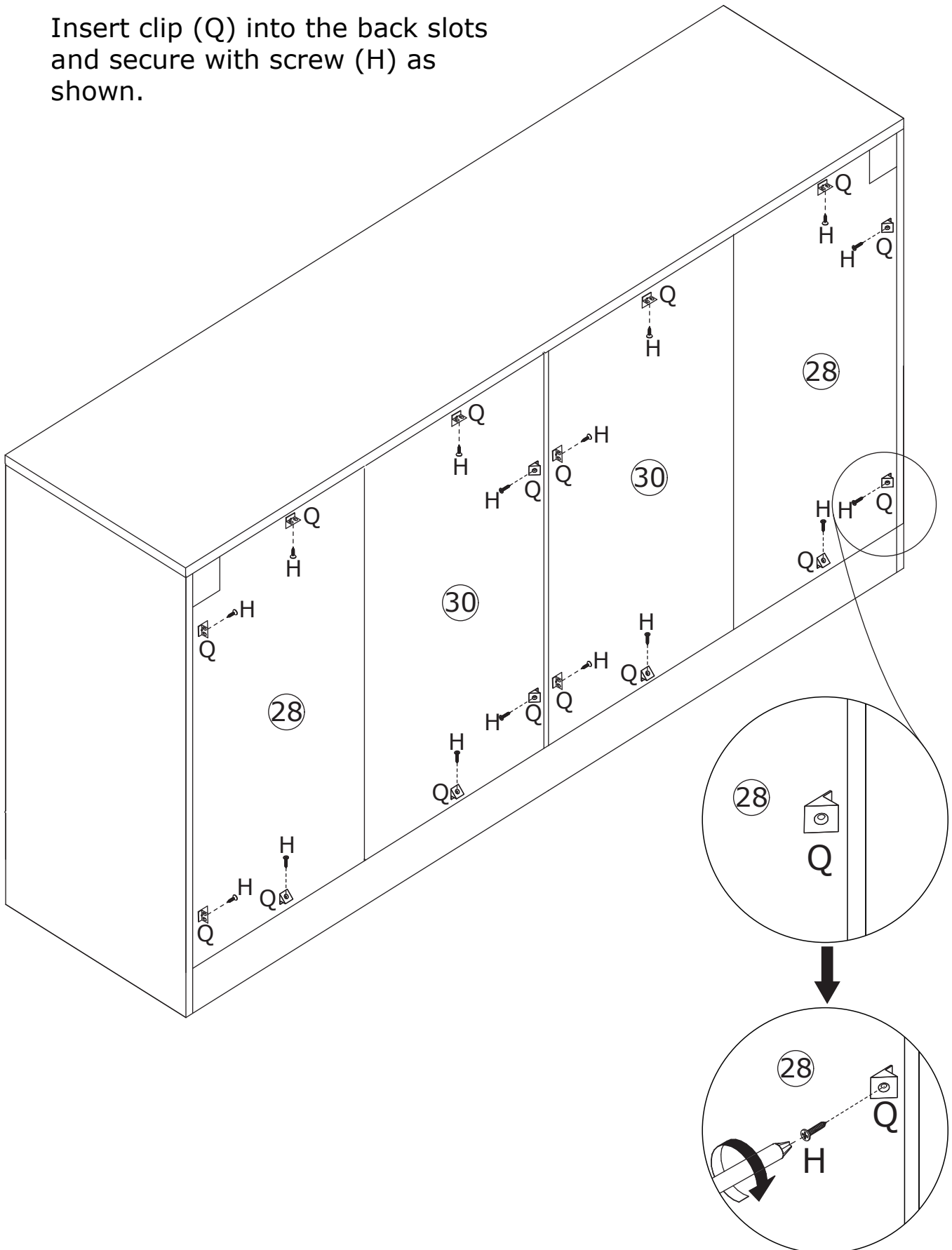
Connect Part 34 and 35 to Part 26 by securing hinges with screw (H) as shown.



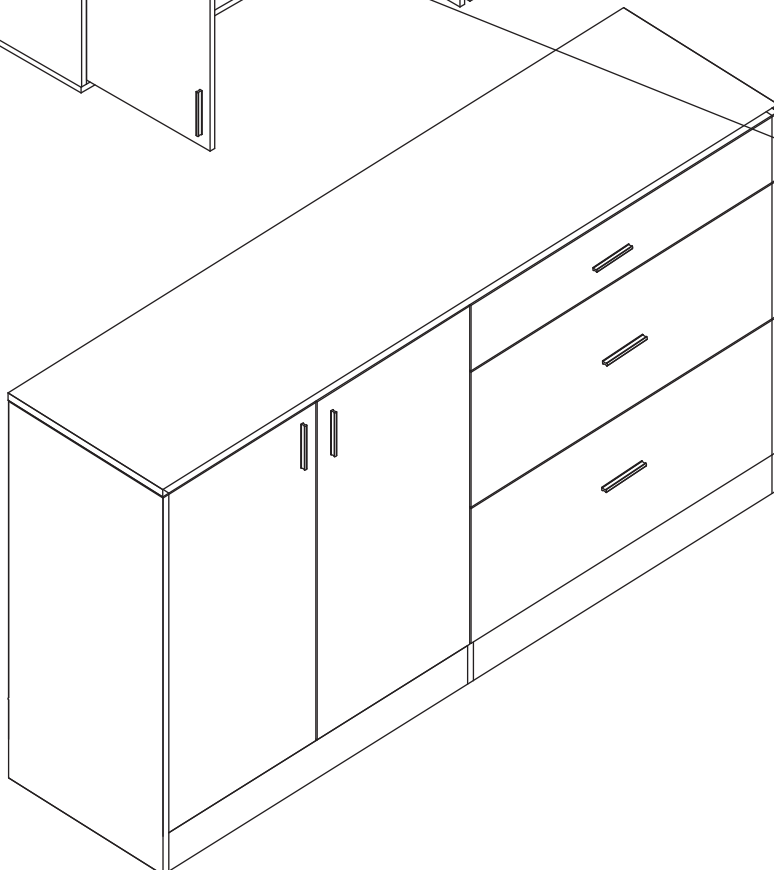
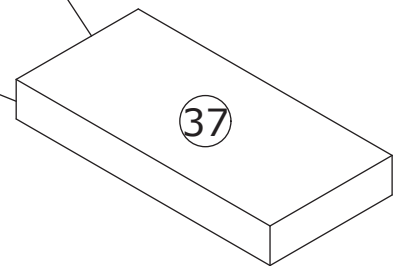
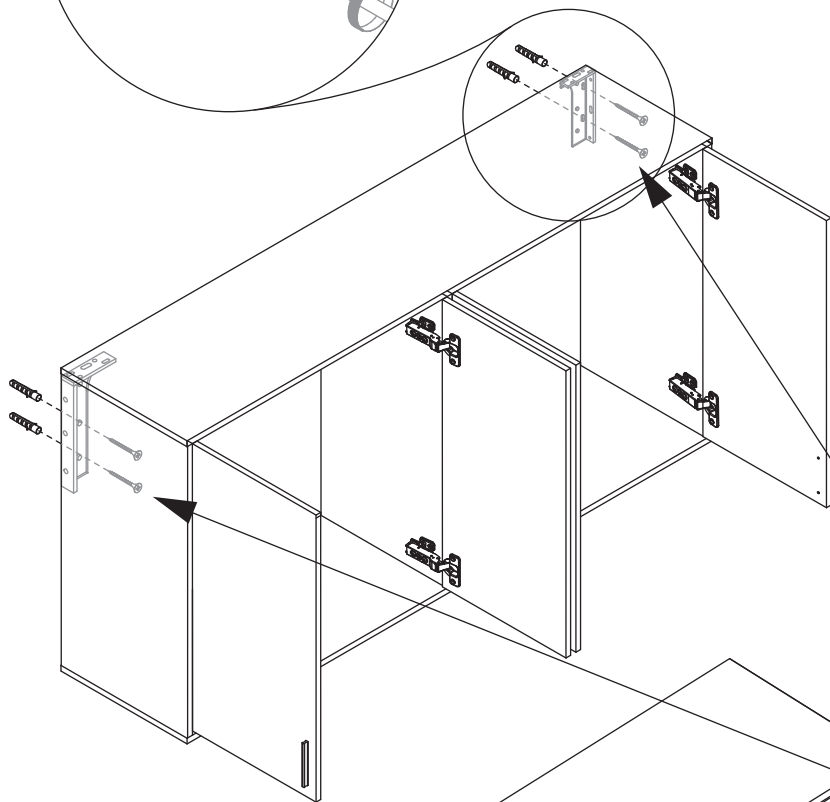
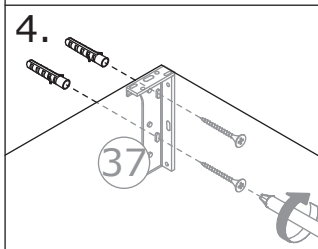
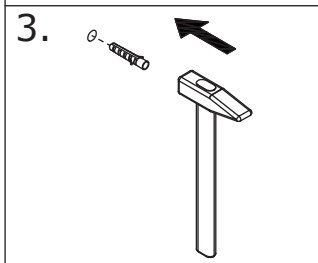
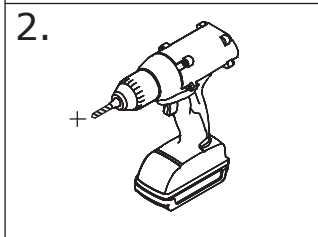
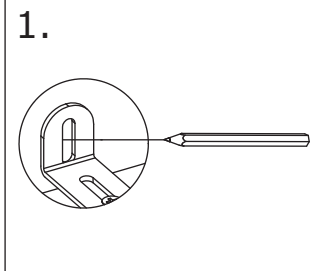
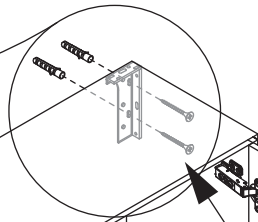
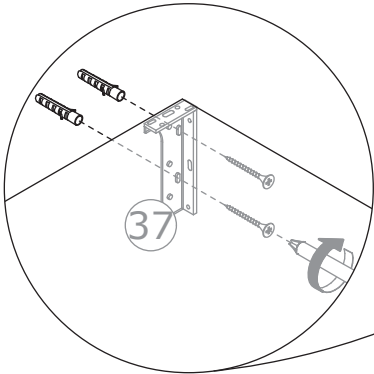
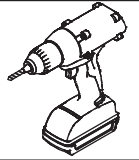
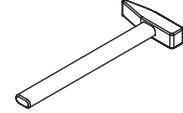
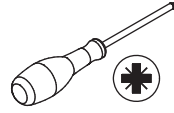
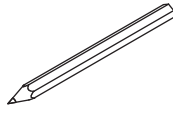
46



Insert clip (Q) into the back slots and secure with screw (H) as shown.

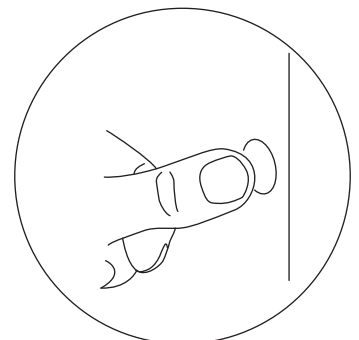
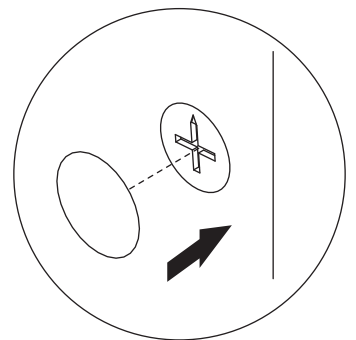
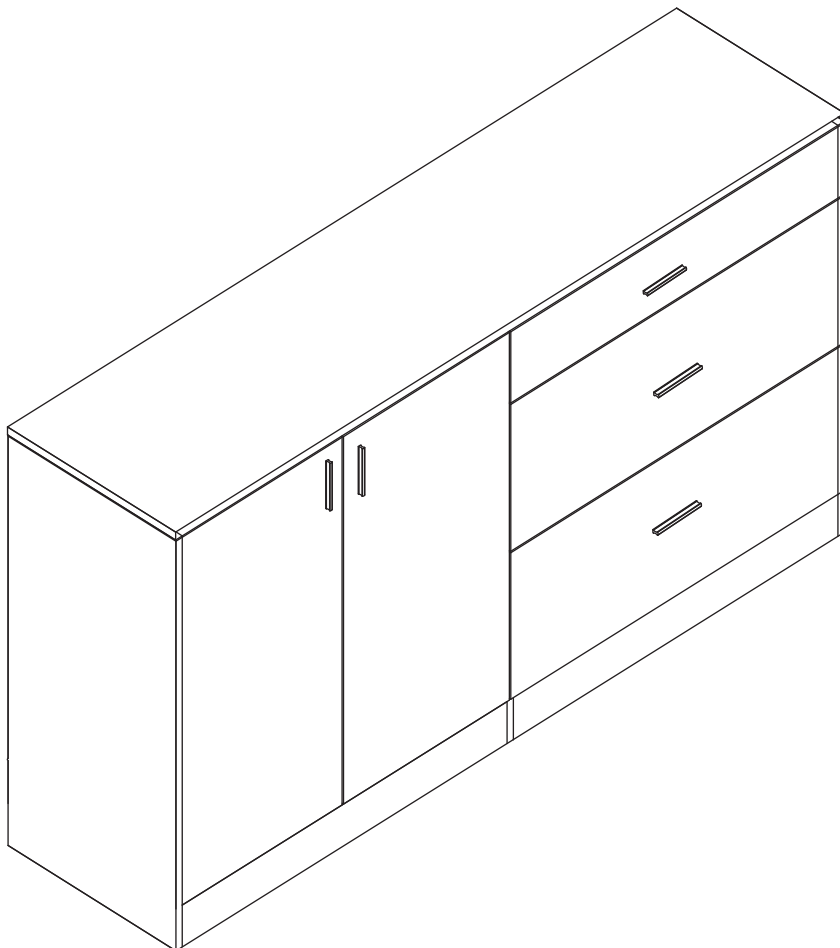
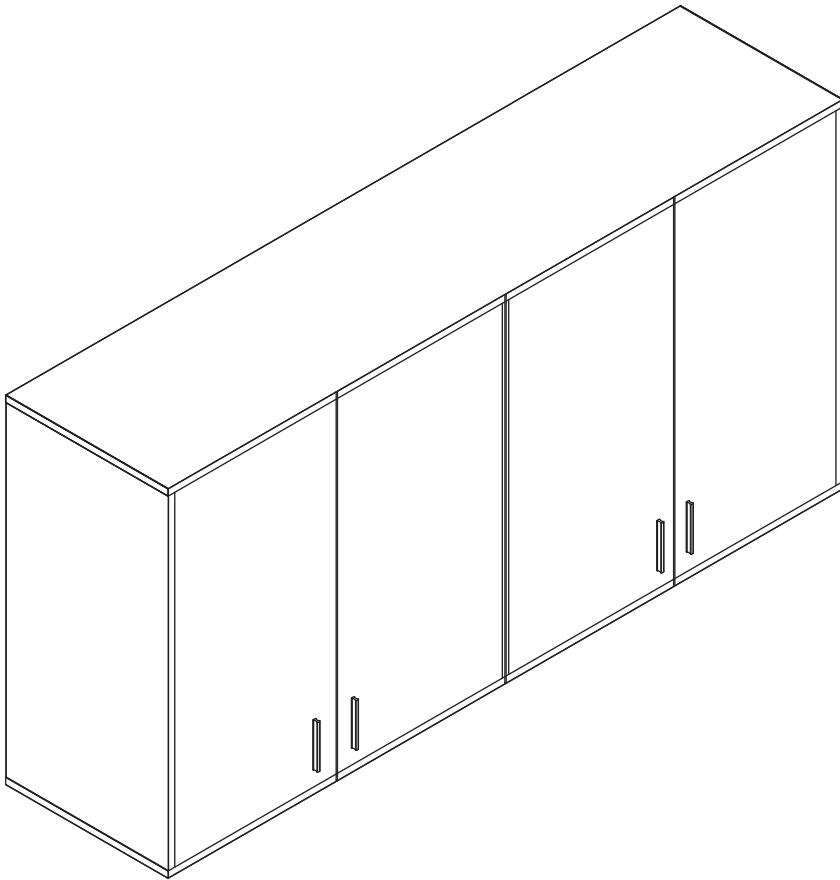


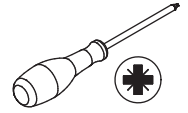
47



48

G x 62 	
---	--

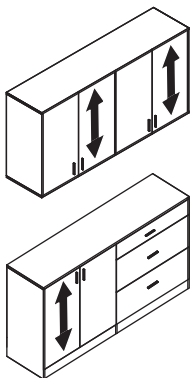
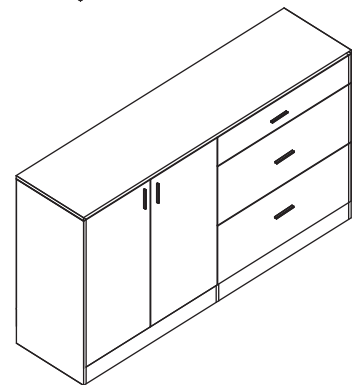
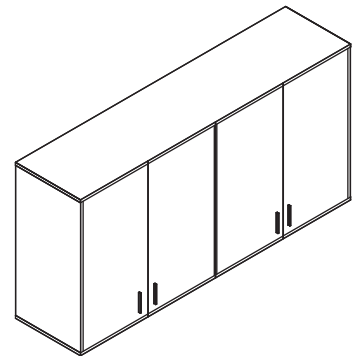




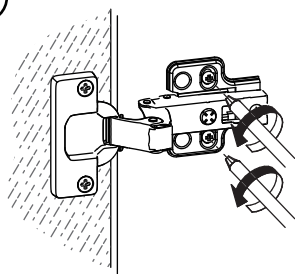
If the door panels are not aligned, please adjust the screws on the hinges according to the illustration.

Or you can search this link to view the teaching video.

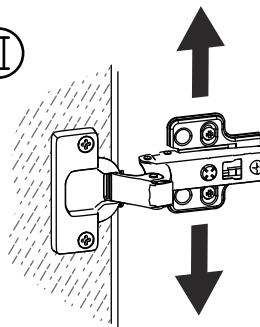
<https://youtu.be/n0Lb36SoODM>



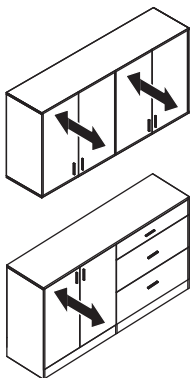
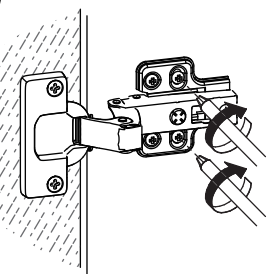
Ⓘ



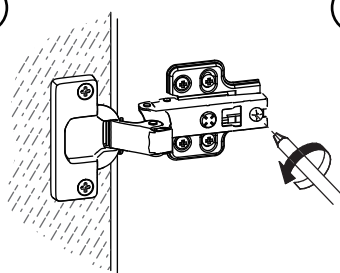
Ⓙ



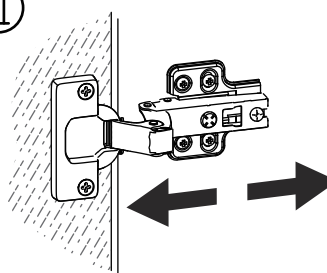
Ⓚ



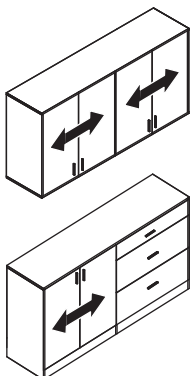
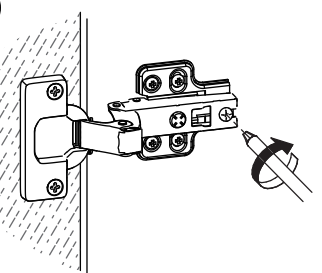
Ⓘ



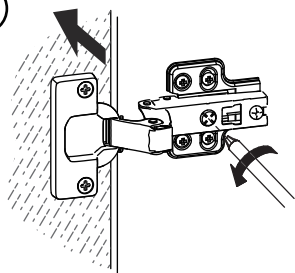
Ⓙ



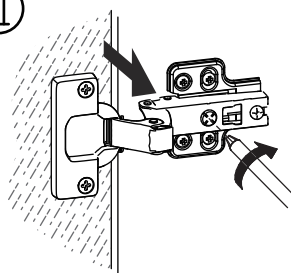
Ⓚ



Ⓘ



Ⓙ



WARRANTY

WARRANTY CLAIMS

- There is a 30-day warranty for broken furniture or any other problems that do not work properly. The warranty will start from the date of purchase which must be verified by proof of purchase.
- Before making a claim, we may be able to answer your query, simply call us. Please leave your purchase order number, along with some details of the problem, if you want a replacement part. We will arrange within 48 hours. If there is out of stock, we will reply with a shipping date.
- The product must be used in accordance with the instructions provided. For health reasons.
- For other reasons, if the furniture needs to be returned, it must be cleaned and dried and operated within 30 days of receipt.

Type of Warranty Claim

- Failure to follow the furniture instructions will invalidate the warranty. Attention please.
- Does not include damage during installation, but includes damage during transportation.

Scope of responsibility

- Shall not bear any responsibility for misuse or user damage and / or loss of parts during the installation of furniture.
- After using, the damage and scratches of the furniture are not covered by the warranty.

The Warranty Relates to All Bought in The Us and Covers The Following Areas

- Sheet parts: 1 month from the date of purchase.
- Electrical parts: 1 month from the date of purchase.

RETURNS

CHANGED YOUR MIND AND NEED TO RETURN YOU ITEM?

PLEASE FOLLOW THE BELOW INSTRUCTIONS:

- If you have purchased and have simply changed your mind, follow the retailer's instructions for returns.

DEFECTIVE ITEMS

- If your item is defective in any way, i.e. it doesn't work but you can't identify why, in the first instance, please call us.

DAMAGED ITEMS

- If you receive an order with obvious shipping damage from the retailer, then we suggest the delivery is refused. If the delivery has been accepted and then shipping damage is found, please follow the specific instructions advised by the retailer.
In all circumstances please save all packaging material and paperwork for the order. Please be aware that if you dispose of packaging material or attempt to return the merchandise without contacting the fulfiller, you jeopardise your chances of making a claim, and you may not receive a credit for the return.

AFTER-SALES CONTACT



adelahu@fufugaga.com



208-820-0068