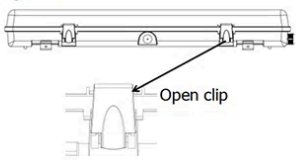


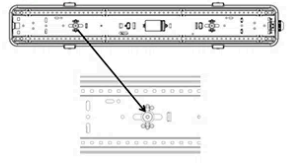
1.Surface Mount

Figure1



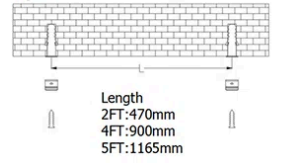
Step 1: Open the buckle and take out the diffuser.

Figure2



Step 2: Rotate the aircraft buckles at both ends so that align with the gap of iron plate, take out iron plate and disconnect the earth wire plug-in terminal block from the power supply plug-in terminal block.

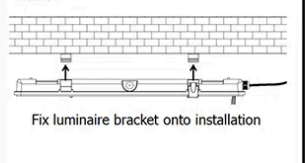
Figure3



Step 3: Drill holes on the ceiling in the corresponding positions according to fix distance of luminaire bracket, insert M6 wall plugs into the holes, then secure the installation buckles to the ceiling with the provided M5 screws.

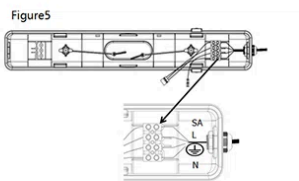
Length
2FT:470mm
4FT:900mm
5FT:1165mm

Figure4



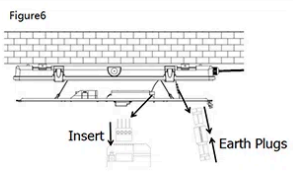
Step 4: Pull the power cable into the luminaire bracket from cable entry hole through Gland, then install the bracket onto the installation buckle.

Figure5



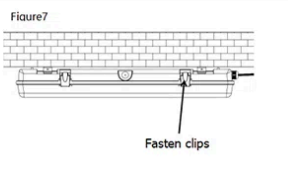
Step 5: Connect the power cable to terminal block on the luminaire bracket according to right wires sequence.

Figure6



Step 6: Suspend the luminaire body with the slings which prefixed, connect the earth wire plug back and insert female connector into male connector on control gear.

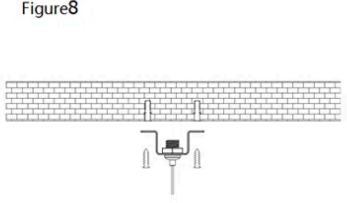
Figure7



Step 7: Install the iron plate back to bracket, rotate the aircraft buckles on both ends of bracket to fix iron plate, then install the diffuser onto bracket, fasten the buckles.

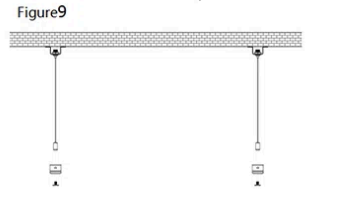
2.Suspend Mount

Figure8



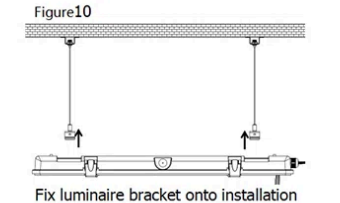
Step 2: Drill 6mm holes on the ceiling in the corresponding positions according to disc holes position of hanging rope, insert M6 wall plugs into the holes, then fix hanging rope disc to ceiling with the provided M4 screws.

Figure9



Step 3: Secure the installation buckles onto hanging rope with provided M4 flat screws.

Figure10



Step 4: Pull the power cable into the luminaire bracket from cable entry hole, then install the bracket onto the buckles.

Step 1: Separate the luminaire body from the luminaire bracket, refer to the step 1 of Surface Mount.

Step 5: Refer to the 4,5,6 steps of Surface Mount.

Warning: Turn off the power before installation