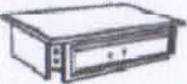










ASSEMBLY INSTRUCTIONS

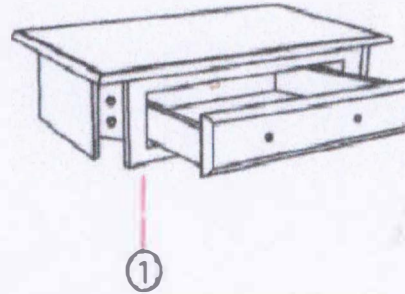
Item # 3419

Bella Desk Table

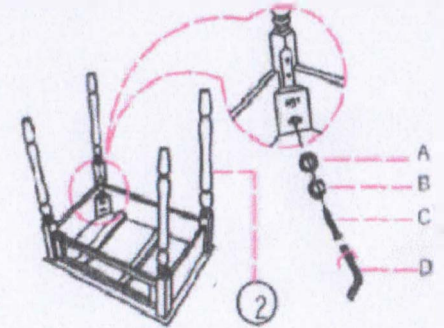
Thank you for purchasing a Chair & Table Company product. This product has been designed for easy assembly and is constructed for durability. Please take the time to read and follow the assembly instructions carefully. If a part or hardware is missing or you have any difficulties in assembling this product, please contact us Toll-Free at 1-800-228-3876.

| NO. | PART LIST  | QTY  | NO. | HARDWARE LIST  | QTY  |
|-----|--|------|-----|--|------|
| ①   | <br>Table Top | 1pc  | A   |  Flat Washer  | 8pcs |
|     |  |      | B   |  Lock Washer  | 8pcs |
|     |  |      | C   |  Allen Head Bolt  | 8pcs |
|     |  |      | D   |  Allen Head Wrench  | 1pc  |
| ②   | <br>Table Leg | 4pcs | E   |  Knob   | 2pcs |
|     |  |      | F   |  Screw  | 2pcs |
|     |  |      | G   | Tool you will need - Not supplied<br> Phillips Head Screwdriver |      |

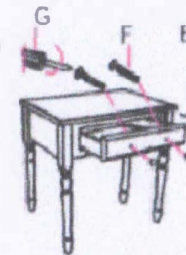
Step1: Pull out the drawer as shown.



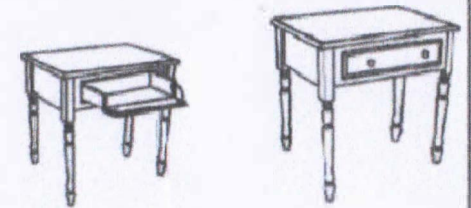
Step2: Place Top (1) upside down on a soft surface. Align the pre-drilled holes in Top (1) with pre-threaded holes in posts (2). Secure with Allen Head Bolts (C), Lock Washers (B) and Flat Washers (A) by using Allen Head Wrench (D). 2/2



Step3: Set The Screws (F) into drawer holes, then cover the Knob (E) on the screw as shown, fasten them by screwdriver.



Step4: Ready Product.



Thank you for your purchase .Our items are intended for residential use only .

To clean and maintain your furniture we recommend dry dust with a soft clean cloth.

Do not use harsh chemicals to clean your furniture as this could damage the protective top coat and /or finish.