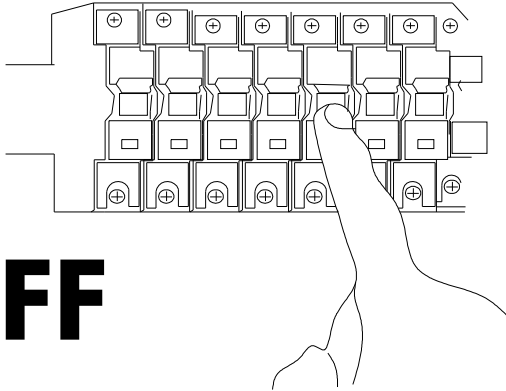


Installation

1



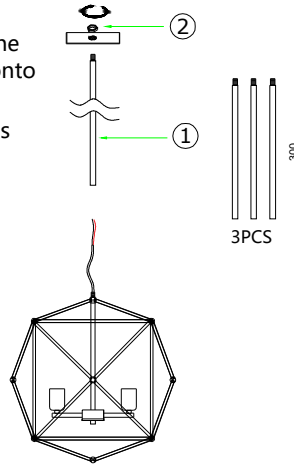
OFF

STEPS

Turn off the power

2

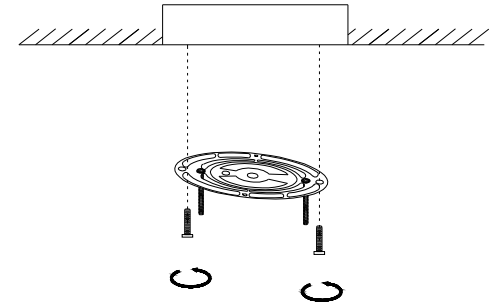
- ① Thread the main wire through the suspension rod and tighten it onto the lamp body
- ② Secure the ceiling plate with nuts



STEPS

And then proceed to the next step, as shown in Figure 3

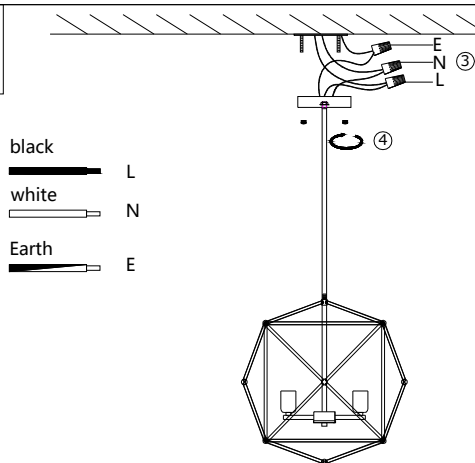
3



STEPS

Install the hanging board on the ceiling, and then proceed to the next step, as shown in Figure 4

4



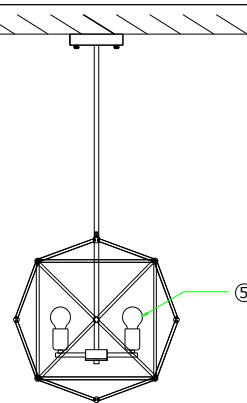
- black L
- white N
- Earth E

- ③ Connect the power wire of lamp body to the reserved Power cable, pay attention to the positive and negative poles
- ④ Fix the lamp body on the ceiling with nuts

STEPS

And then proceed to the next step, as shown in Figure 5

5



- ⑤ Twist the light bulb onto the lamp body

STEPS

The installation is complete

Caution:

Advertencia:

- 1.Voltage: 110V-130V
- 2.Bulb Model: E26/ MAX-60W
- 3.Before installation, please check whether the accessories are complete,If you have any problem, please contact our customer service in time
- 4.Before installation, please cut off the power supply to prevent electric shock.
- 5.Please be sure the installation according to the company's instructions.



Screw



Wire connector



Instruction