

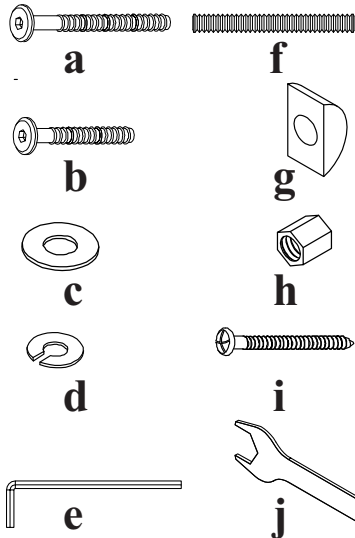
**SLEIGH HEADBOARD (HB ONLY)  
SLEIGH STORAGE FOOTBOARD  
SLEIGH RAILS**

**Assembly Instruction**

**A. Components :**

- |                               |          |
|-------------------------------|----------|
| 1. Sleigh Headboard (HB Only) | : 1 Pc   |
| 2. Sleigh Storage Footboard   | : 1 Pc   |
| 3. HB Legs                    | : 2 Pcs  |
| 4. Stretcher                  | : 1 Pc   |
| 5. Sleigh Rails               | : 2 Pcs  |
| 6. Slat                       | : 15 Pcs |
| 7. Slat Support               | : 3 Pcs  |

**Qty**



**B. Hardware :**

- |                    |          |
|--------------------|----------|
| a. Bolt M6 x 50mm  | : 8 Pcs  |
| b. Bolt M6 x 40mm  | : 2 Pcs  |
| c. Flat Washer     | : 10 Pcs |
| d. Lock Washer     | : 10 Pcs |
| e. Allen Key       | : 1 Pc   |
| f. Bolt M8 x 100   | : 8 Pcs  |
| g. Halfmoon Washer | : 8 Pcs  |
| h. Hexa Nut        | : 8 Pcs  |
| i. Screw           | : 8 Pcs  |
| j. Hexa Wrench     | : 1 Pc   |

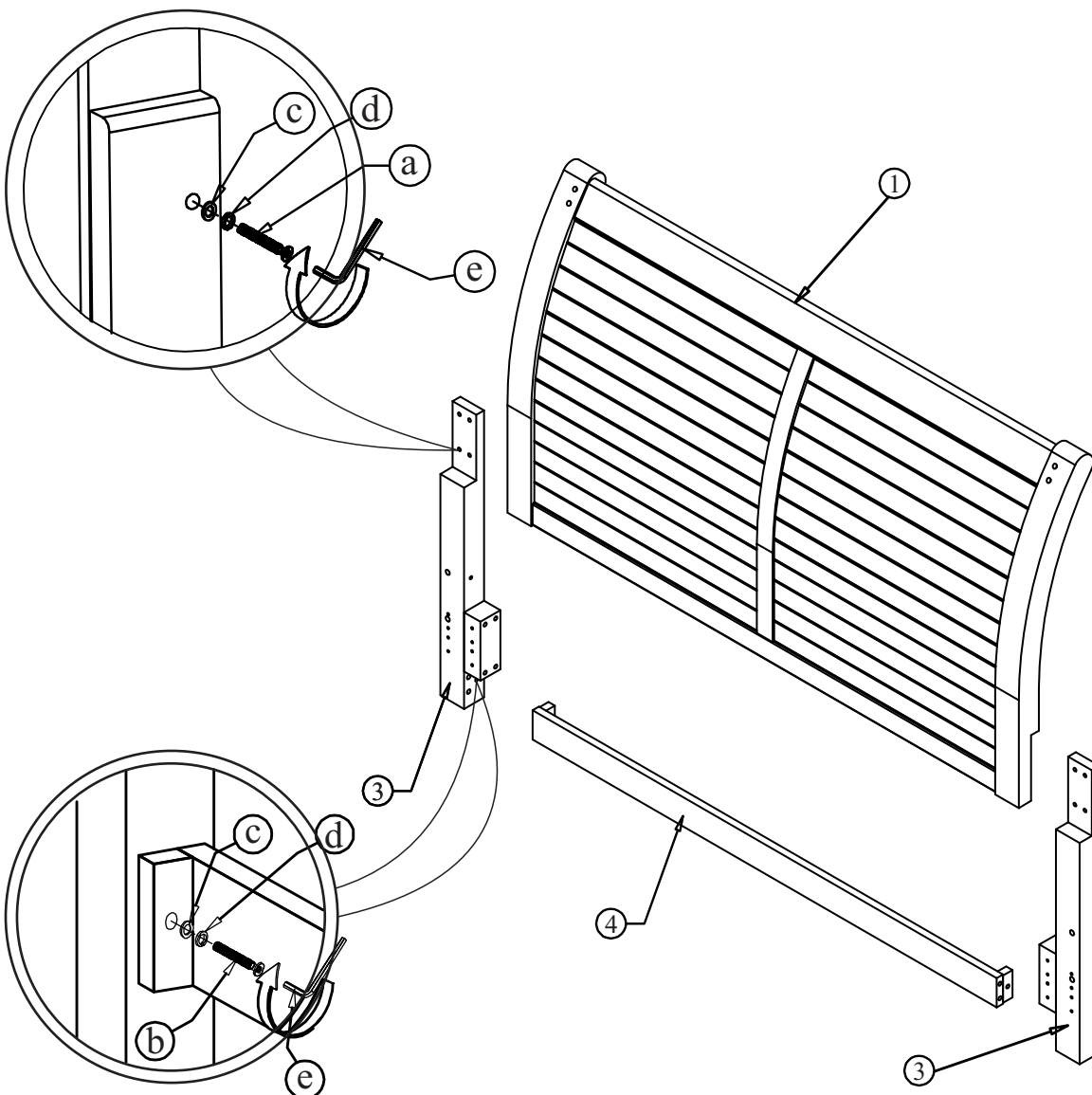
**Qty**

**C. Tool Required**

1. Screw Driver = ( not included )



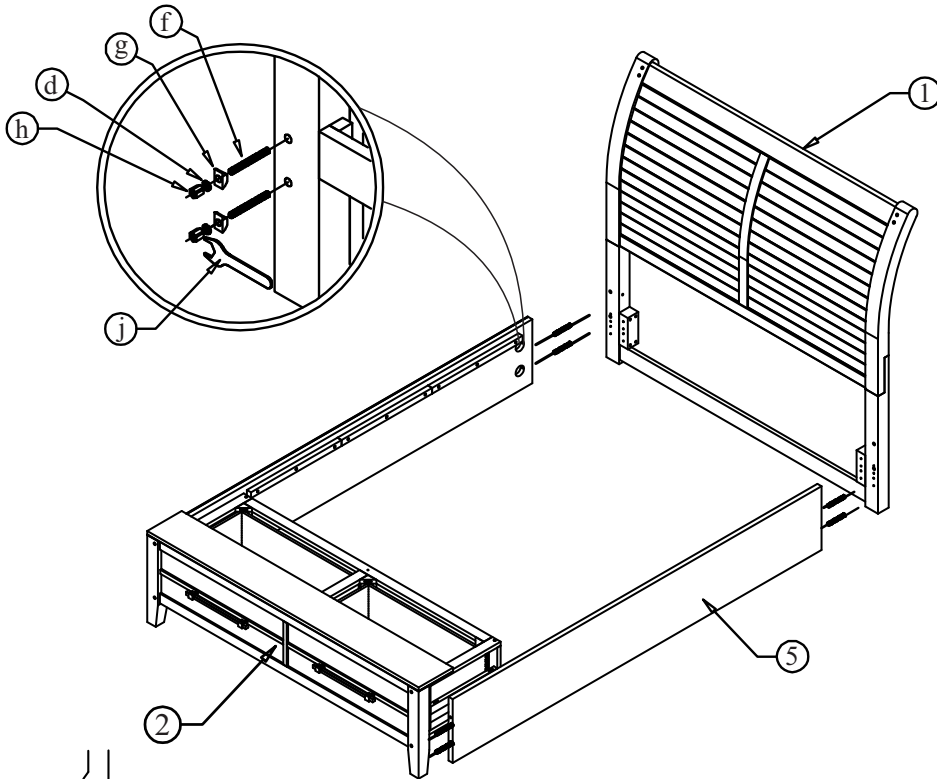
**STEP - 1**



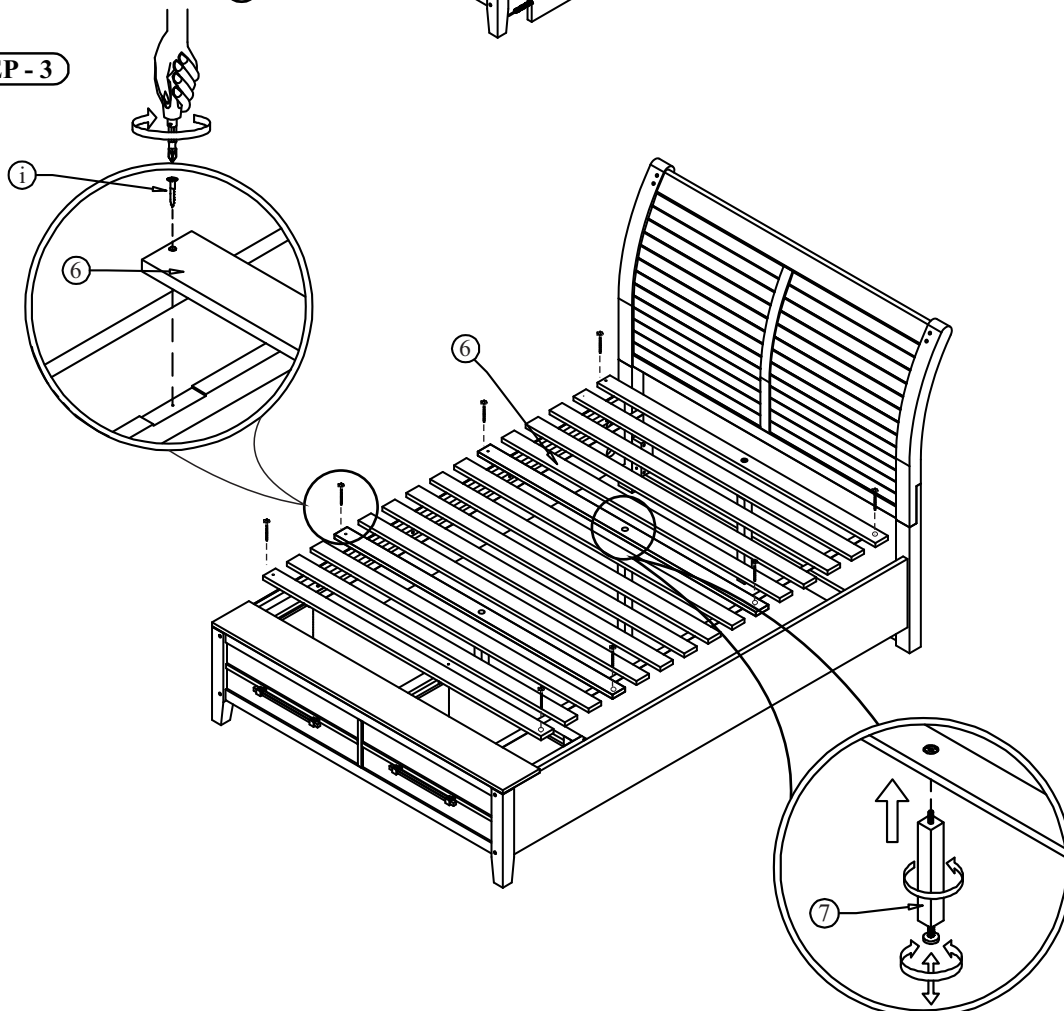
**SLEIGH HEADBOARD (HB ONLY)  
SLEIGH STORAGE FOOTBOARD  
SLEIGH RAILS**

**Assembly Instruction**

**STEP - 2**



**STEP - 3**

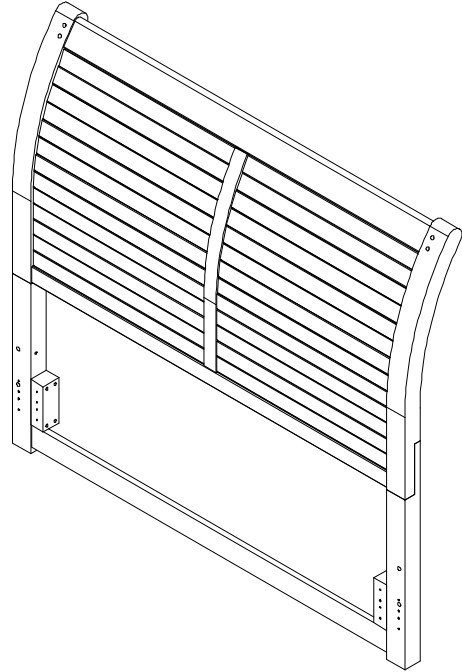


**SLEIGH HEADBOARD (HB ONLY)  
SLEIGH STORAGE FOOTBOARD  
SLEIGH RAILS**

---

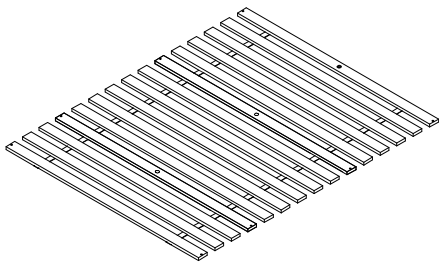
---

**CARTON 1**



5/0 Sleigh Headboard (HB Only).....1 Pc

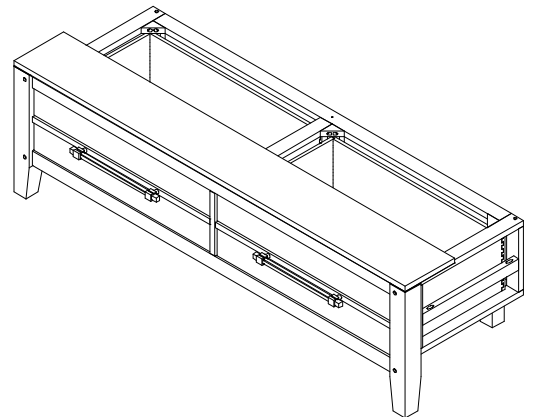
**CARTON 2**



Slat.....15 Pcs

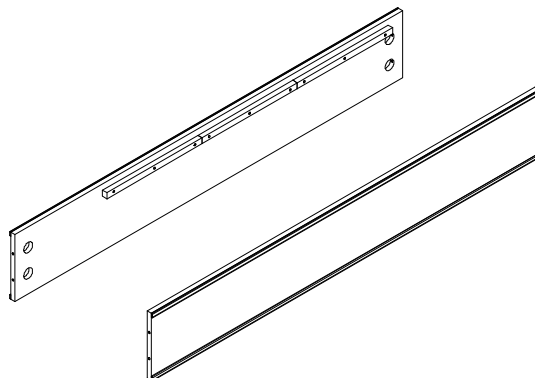


Slat Support.....3 Pcs



5/0 Storage Footboard.....1 Pc

**CARTON 3**



5/0 6/6 Sleigh Rails.....2 Pcs