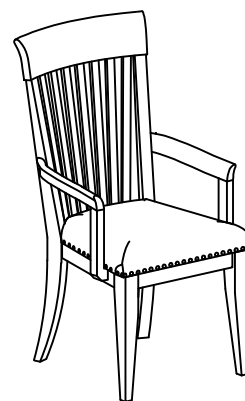


Made in Viet Nam

**Warning :**

- Be sure to check all packing material carefully for small parts, which may have come loose inside the carton during shipment.
- To prevent possible scratches and damage, this furniture must be assembled on a soft surface such as a blanket or carpet.



38258  
Uph Slat Back Arm Chair

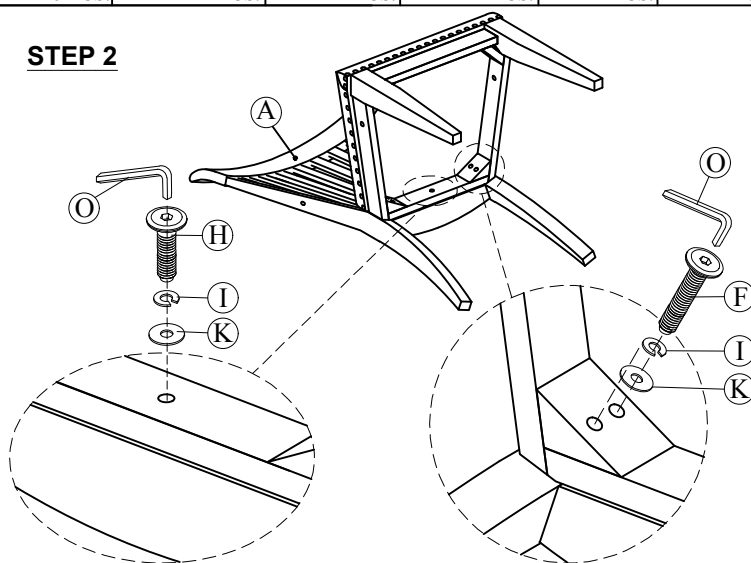
**Components and Hardware List**

<p>Chair Back</p> <p>(A) 1 PC.</p>	<p>Seat Frame</p> <p>(B) 1 PC.</p>	<p>Front Leg</p> <p>(C) 2 PCS.</p>	<p>Arm Assembly (Left)</p> <p>(D) 1 PC.</p>	<p>Arm Assembly (Right)</p> <p>(E) 1 PC.</p>					
<p>Allen Head Bolt ϕ5/16"x 18 x 3"</p> <p>(F) 4 PCS.</p>	<p>Allen Head Bolt ϕ5/16"x 18 x 2"</p> <p>(G) 4 PCS.</p>	<p>Allen Head Bolt ϕ5/16"x18 x1-1/2"</p> <p>(H) 1 PC.</p>	<p>Spring Washer ϕ5/16"</p> <p>(I) 9 PCS.</p>	<p>Flat Washer ϕ5/16"x19mm</p> <p>(K) 9 PCS.</p>	<p>Allen Head Bolt ϕ1/4" x 20 x1-1/2"</p> <p>(L) 2 PCS.</p>	<p>Spring Washer ϕ1/4"</p> <p>(M) 2 PCS.</p>	<p>Flat Washer ϕ1/4"x19mm</p> <p>(N) 2 PCS.</p>	<p>4mm Allen Key</p> <p>(O) 1 PCS.</p>	<p>Screw ϕ8x2"</p> <p>(P) 2 PCS.</p>

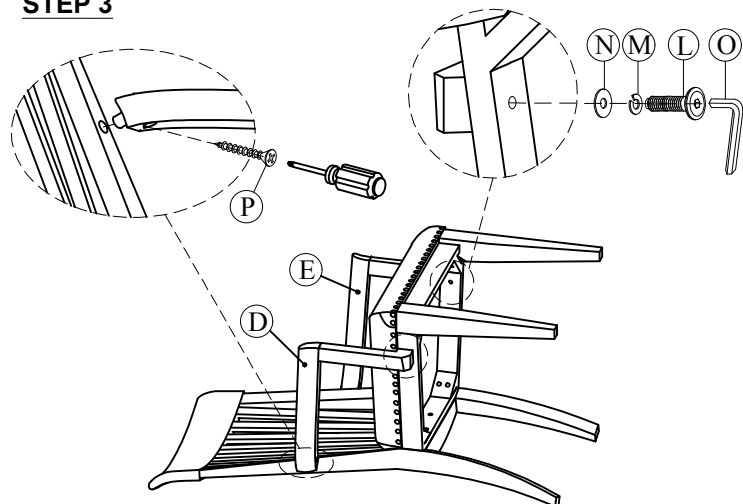
**STEP 1**



**STEP 2**



**STEP 3**



**COMPLETE**

