

## NOTICE

\*Please make sure that you have all parts indicated and they are in good condition before you begin assembly of this item. Refer to part list and hardware list below for guidance.

\*This item should be assembled on a soft surface to prevent scratching the finish during assembly.

\*This item may require periodic tightening.

\*If you are having difficulty, our friendly Customer Care team is always here to help. Please email [customersupport@safavieh.com](mailto:customersupport@safavieh.com)

## PREPARATION

\*Before beginning assembly of product, make sure all parts are present. Compare parts with part contents list and hardware contents list.

\*If any part is missing or damaged, do not attempt to assemble the product.

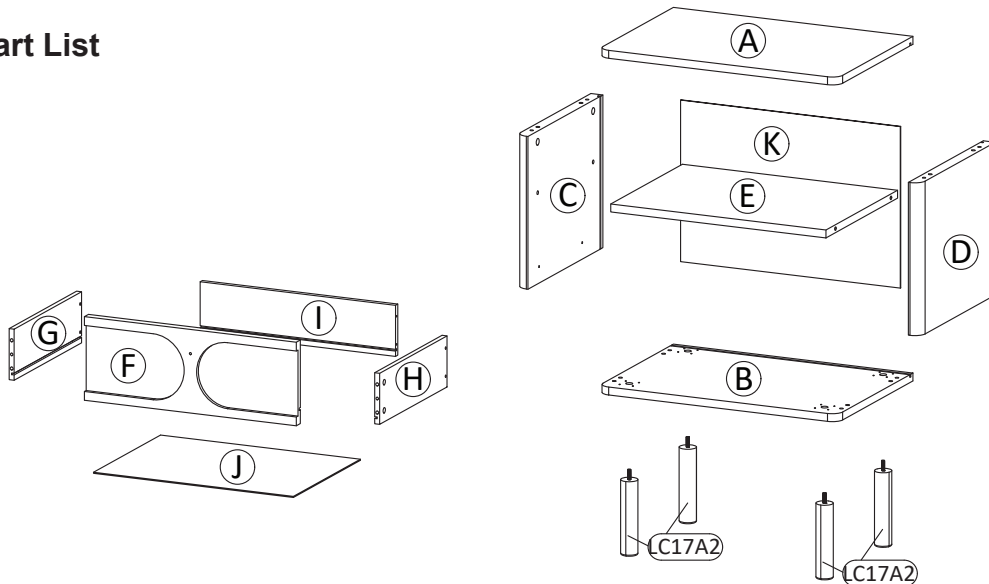
\*Estimated Assembly Time: 120 minutes.

\*Tools Required for Assembly (included): Allen Key

## CARE AND MAINTENANCE

Adhesive felt pads should always be applied to areas of furniture which make direct contact with flooring, said application will prevent damage to the furniture and or surfaces on which the furniture lies. Objects placed on articles of furniture should rest on non abrasive material as to prevent damage to the wood finish. Objects whose composition consists of plastic and rubber are known to discolor and damage the wood surfaces on which they rest. Wipe up spills immediately and avoid common hazards such as hot dishes, harsh solvents and abrasives. Cleaning should be done with a soft lint free cotton cloth dampened with water or furniture polish. On highly used surfaces we recommend applying a quality paste wax which should be used on a regular basis to provide additional protection from scratches and spills. How often you apply the wax depends on how much wear the furniture receives.

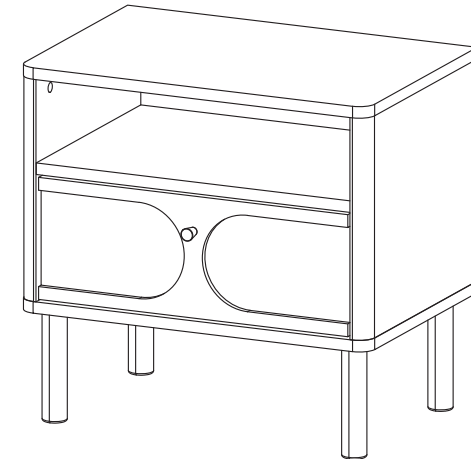
## Part List



 **SAFAVIEH**  
FURNITURE

**Model# NST9614**

**Product Dimensions: 22.83"Wx15.35"Dx21.77"H**



**WARNING :**

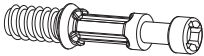




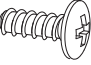



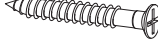


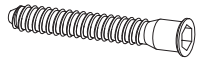
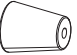

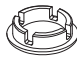
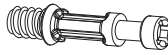

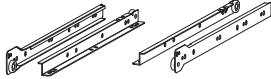
**WEIGHT CAPACITY: 33 LBS.**

**DRAWER LOAD CAPACITY 22 LBS**

**Warning : Do not stand on chest.**

**Warning : Do not over torque bolts.**

## Hardware List

<p>HW1x4</p>  <p>Ø 6 x 35 mm</p>	<p>HW2x4</p>  <p>Ø 15 mm</p>	<p>HW3x4</p>  <p>Ø 12 mm</p>	<p>HW4x12</p>  <p>Ø 8 x 30 mm</p>	<p>HW5x2</p>  <p>Ø 6 x 30 mm</p>	<p>HW6x16</p>  <p>M 4.5 x 12.5 mm</p>
<p>HW7x8</p>  <p>M 3.5 x 15.5 mm</p>	<p>HW8x4</p>  <p>M 6 x 10.5 mm</p>	<p>HW9x6</p>  <p>M 3.5 x 13 mm</p>	<p>HW10x4</p>  <p>M 8 x 39 mm</p>	<p>HW11x8</p> 	<p>HW12x1</p> 
<p>HW13x4</p>  <p>M 7 x 50 mm</p>	<p>HW14x1</p> 	<p>HW15x1</p>  <p>M 4 x 25 mm</p>	<p>HW16x4</p>  <p>Ø 15 mm</p>	<p>HW17x4</p>  <p>Ø 6 x 32 mm</p>	<p>HW PM3x4</p> 
<p>HW RM35Ax1</p> 					

## Part List & HW For Multi-Box Items

Piece	Description	Qty
A	Top Board	1
B	Bottom Board	1
C	Side Board Left	1
D	Side Board Right	1
E	Fixed Shelf	1
F	Front Drawer	1
G	Side Drawer Left	1
H	Side Drawer Right	1
I	Back Drawer	1
J	Bottom Drawer	1
K	Back Board	1
LC17A2	Leg	4

Piece	Description	Qty
HW1	Cambolt Long	4
HW2	CamLock Big	4
HW3	CamLock Small	4
HW4	Dowel Big	12
HW5	Dowel Small	2
HW6	Screw M 4.5 x 12.5 mm	16
HW7	Screw M 3.5 x 15.5 mm	8
HW8	Screw M 6 x 10.5 mm	4
HW9	Screw M 3.5 x 13 mm	6
HW10	Screw M 8 x 39 mm	4
HW11	Wedge	8
HW12	Allen Key	1
HW13	Screw M 7 x 50 mm	4
HW14	Handle	1
HW15	Screw M 4 x 25 mm	1
HW16	Screw Cap	4
HW17	Cambolt Short	4
HW PM3	Mounting Plate	4
HW RM35A	Drawer Runner	1

# PREPARATION

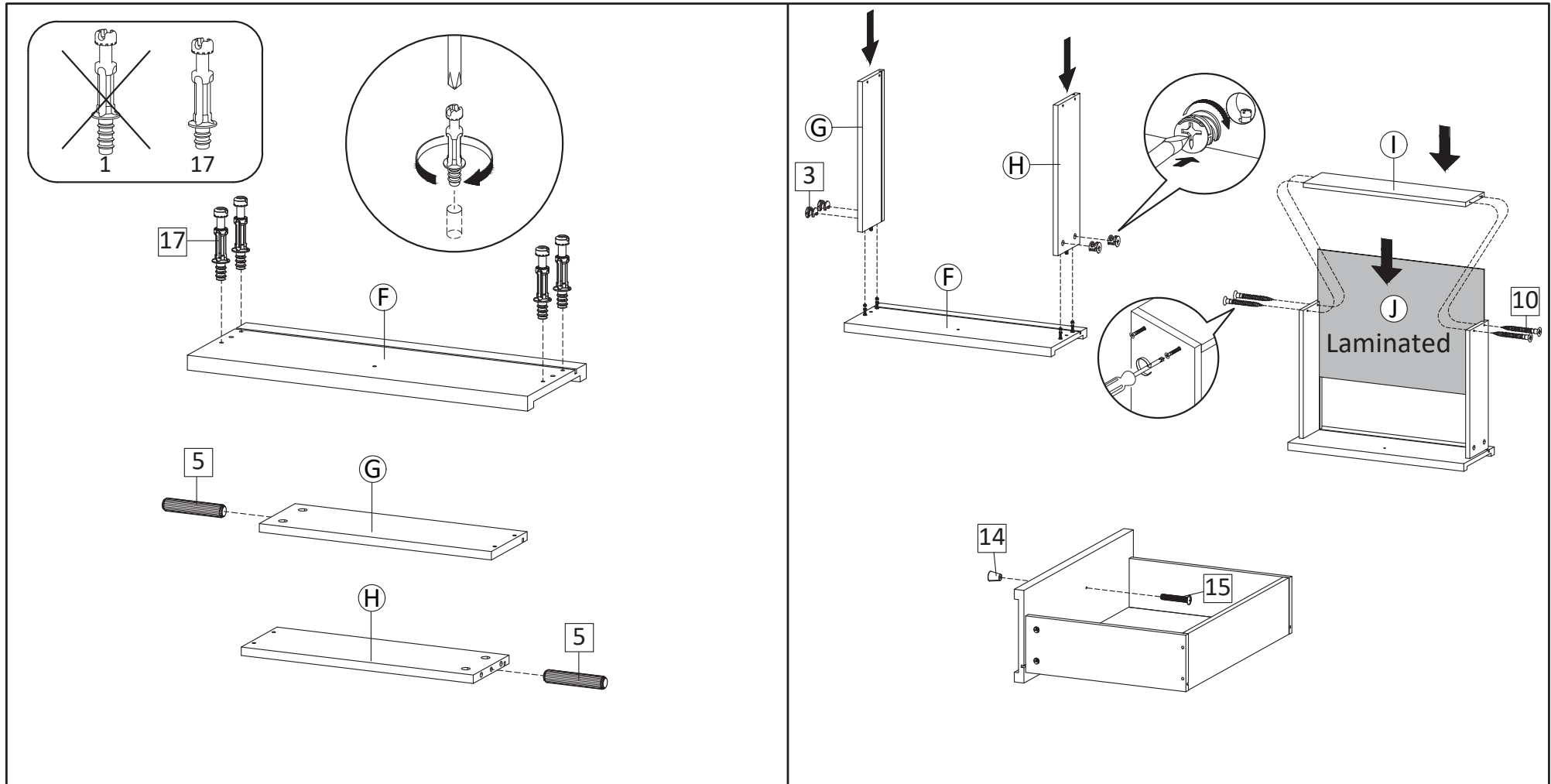
\*Before beginning assembly of product, make sure all parts are present. Compare parts with part contents list and hardware contents list.

\*If any part is missing or damaged, do not attempt to assemble the product.

\*Estimated Assembly Time: 45 minutes.

\*Tools Required for Assembly (included): Allen Key

\*If you are having difficulty, our friendly Customer Care team is always here to help. Please email [customersupport@safavieh.com](mailto:customersupport@safavieh.com)



**STEP1:** Insert Cambolt Short (HW17) into Front Drawer (F). Insert Dowel Small (HW5) into Side Drawers (G&H).

**STEP2:** Combine Side Drawers (G&H) into Front Drawer (F) then tighten Camlock Small (HW3) using screwdriver. Insert Bottom Drawer (J), then put Back Drawer (I) with laminated face facing upward then secure with Screw M8x39mm (HW10). Use Screw M4x25mm (HW15) to attach Handle (HW14) to the Front Drawer.

# PREPARATION

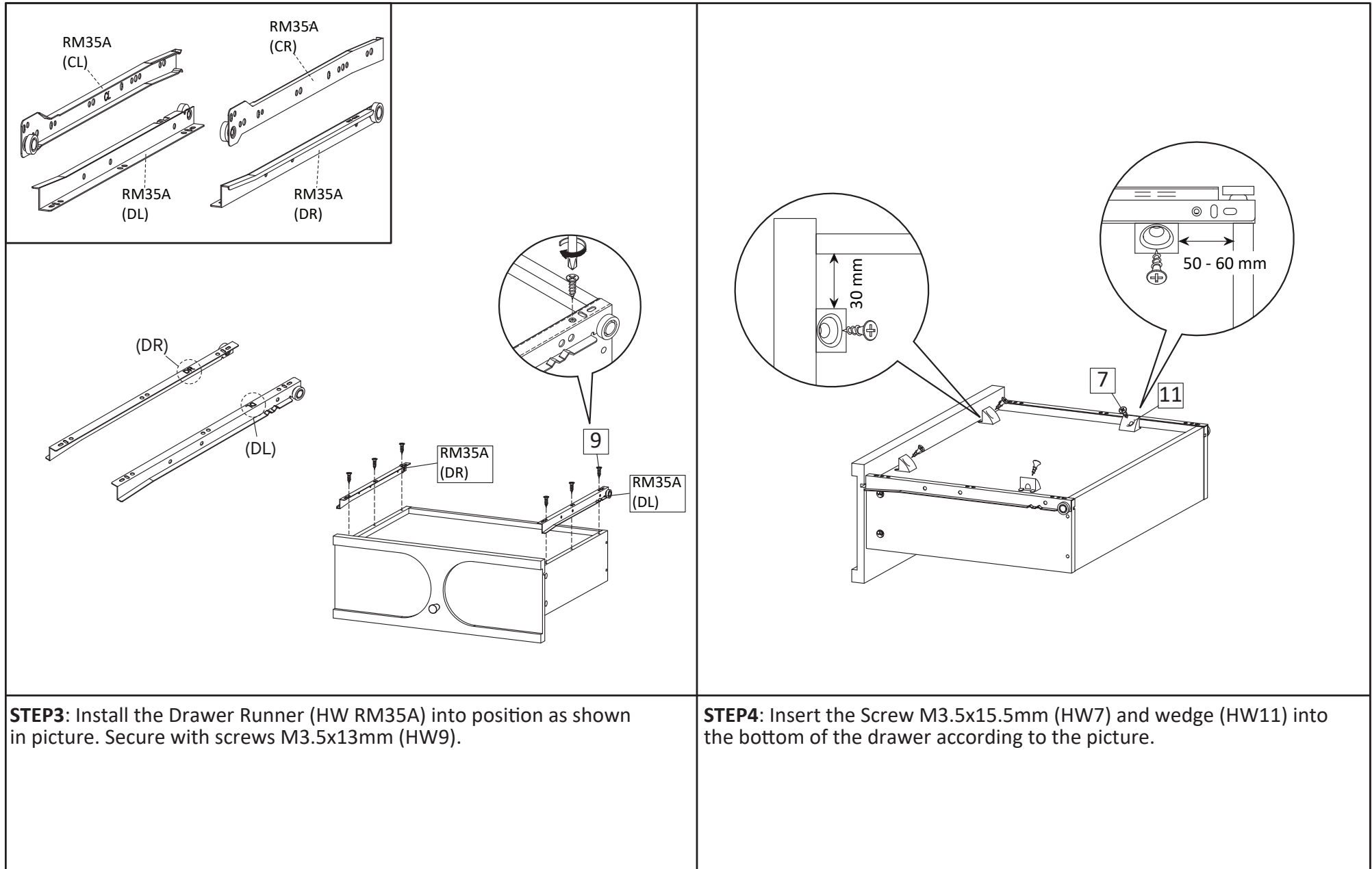
\*Before beginning assembly of product, make sure all parts are present. Compare parts with part contents list and hardware contents list.

\*If any part is missing or damaged, do not attempt to assemble the product.

\*Estimated Assembly Time: 45 minutes.

\*Tools Required for Assembly (included): Allen Key

\*If you are having difficulty, our friendly Customer Care team is always here to help. Please email [customersupport@safavieh.com](mailto:customersupport@safavieh.com)



# PREPARATION

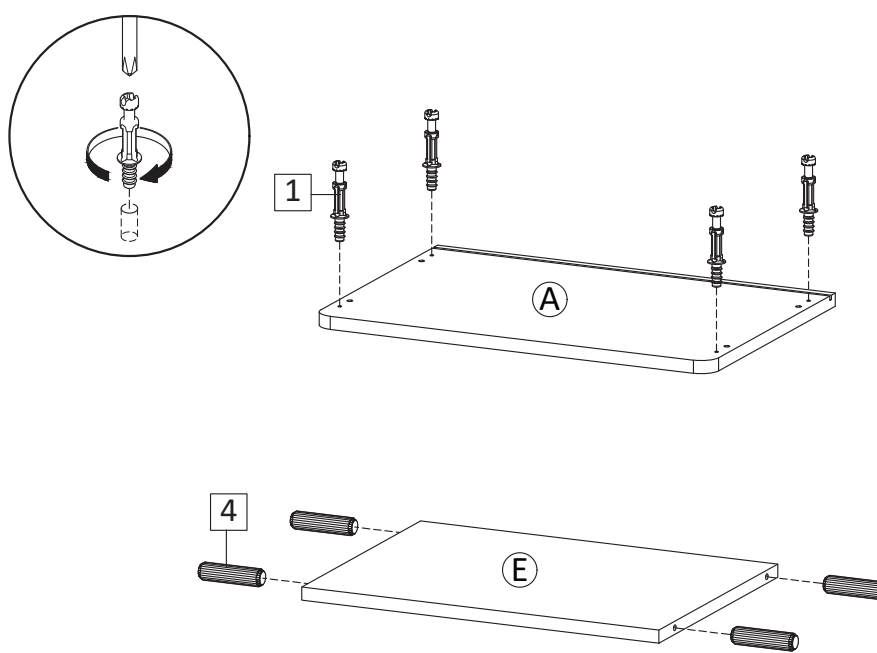
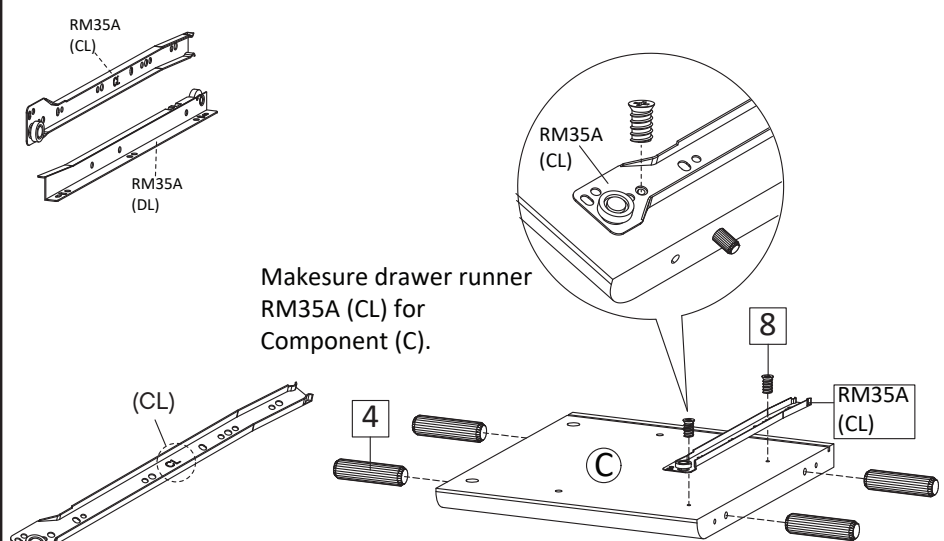
\*Before beginning assembly of product, make sure all parts are present. Compare parts with part contents list and hardware contents list.

\*If any part is missing or damaged, do not attempt to assemble the product.

\*Estimated Assembly Time: 45 minutes.

\*Tools Required for Assembly (included): Allen Key

\*If you are having difficulty, our friendly Customer Care team is always here to help. Please email [customersupport@safavieh.com](mailto:customersupport@safavieh.com)

	 <p>Makesure drawer runner RM35A (CL) for Component (C).</p> <p>Makesure drawer runner RM35A (CR) for Component (D).</p>
<p><b>STEP5:</b> Insert Cambolt Long (HW1) into Top Board (A). Insert Dowel Big (HW4) into Fixed Shelf (E).</p>	<p><b>STEP6:</b> Insert Dowel Big (HW4) into Side Board Left (C) and Side Board Right (D), securing part of the Drawer Runner (HW RM35A-CL) into Side Board Left (C), securing part of the Drawer Runner (HW RM35A-CR) into Side Board Right (C) position as the above image, using screw M6x10.5mm (HW8).</p>

# PREPARATION

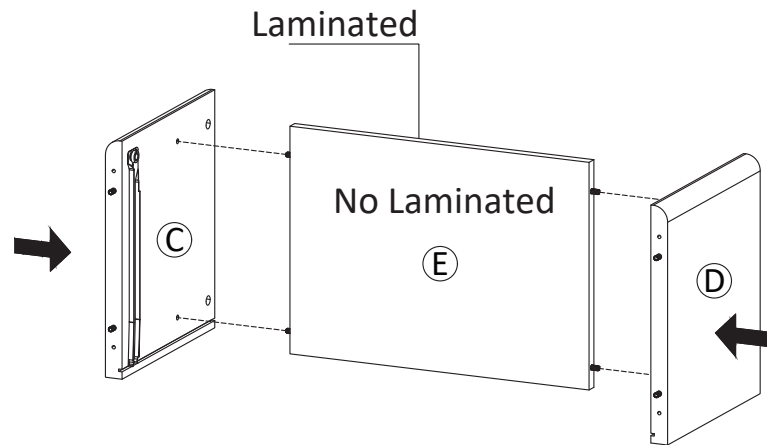
\*Before beginning assembly of product, make sure all parts are present. Compare parts with part contents list and hardware contents list.

\*If any part is missing or damaged, do not attempt to assemble the product.

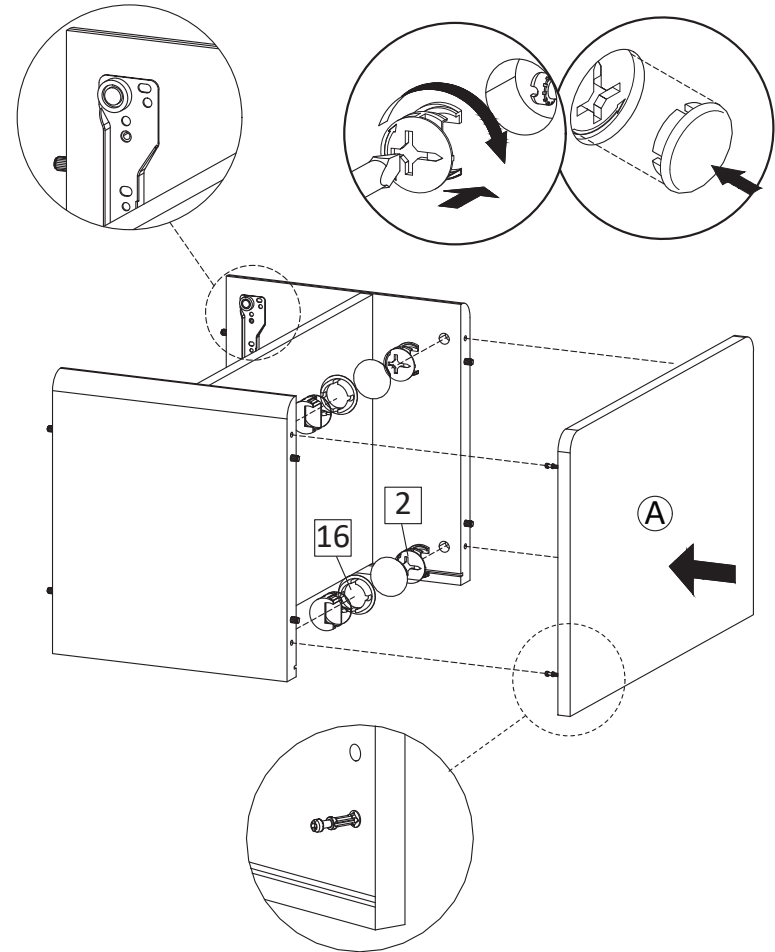
\*Estimated Assembly Time: 45 minutes.

\*Tools Required for Assembly (included): Allen Key

\*If you are having difficulty, our friendly Customer Care team is always here to help. Please email [customersupport@safavieh.com](mailto:customersupport@safavieh.com)



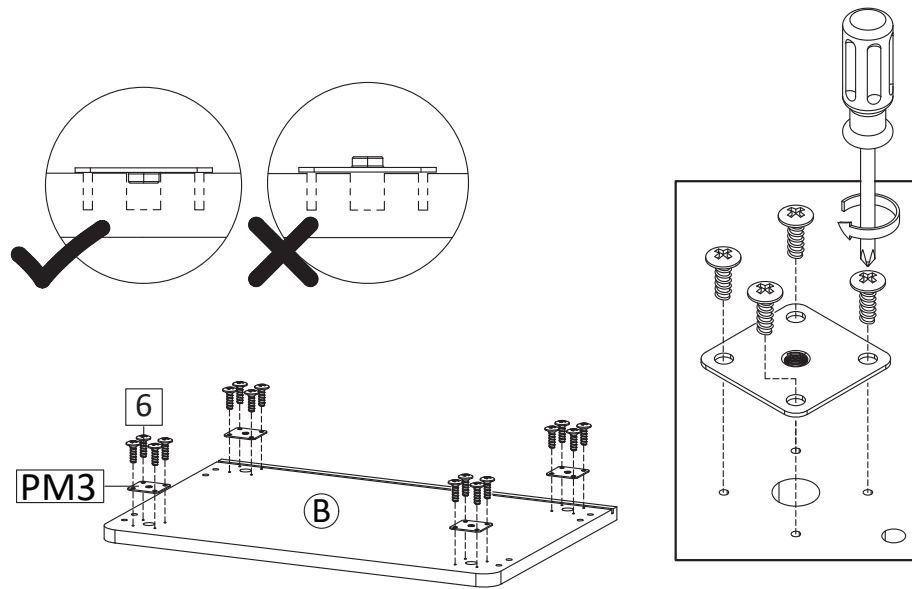
**STEP7:** Combine Side Board Left (C), Side Board Right (D), and Fixed Shelf (E) components into position as shown in picture.



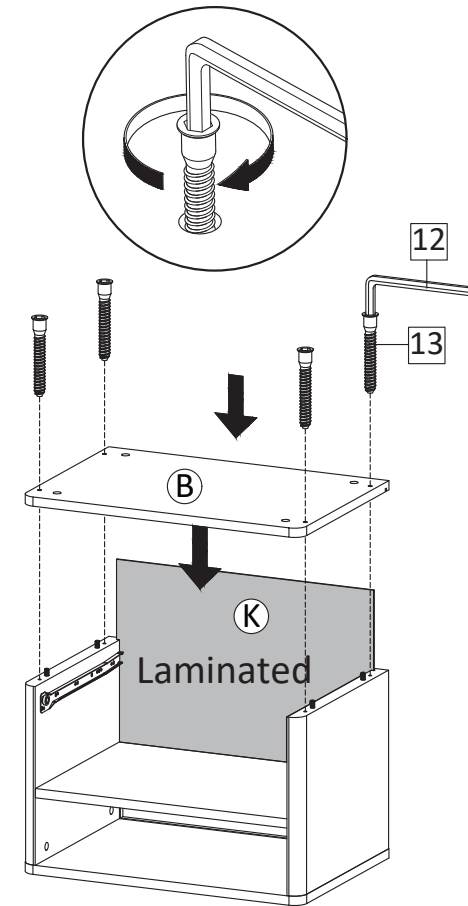
**STEP8:** Insert Top Board (A) and secure with Camlock Big (HW2) then tighten using screwdriver. Put Screw Cap (HW16) over the screw.

# PREPARATION

- \*Before beginning assembly of product, make sure all parts are present. Compare parts with part contents list and hardware contents list.
- \*If any part is missing or damaged, do not attempt to assemble the product.
- \*Estimated Assembly Time: 45 minutes.
- \*Tools Required for Assembly (included): Allen Key
- \*If you are having difficulty, our friendly Customer Care team is always here to help. Please email [customersupport@safavieh.com](mailto:customersupport@safavieh.com)



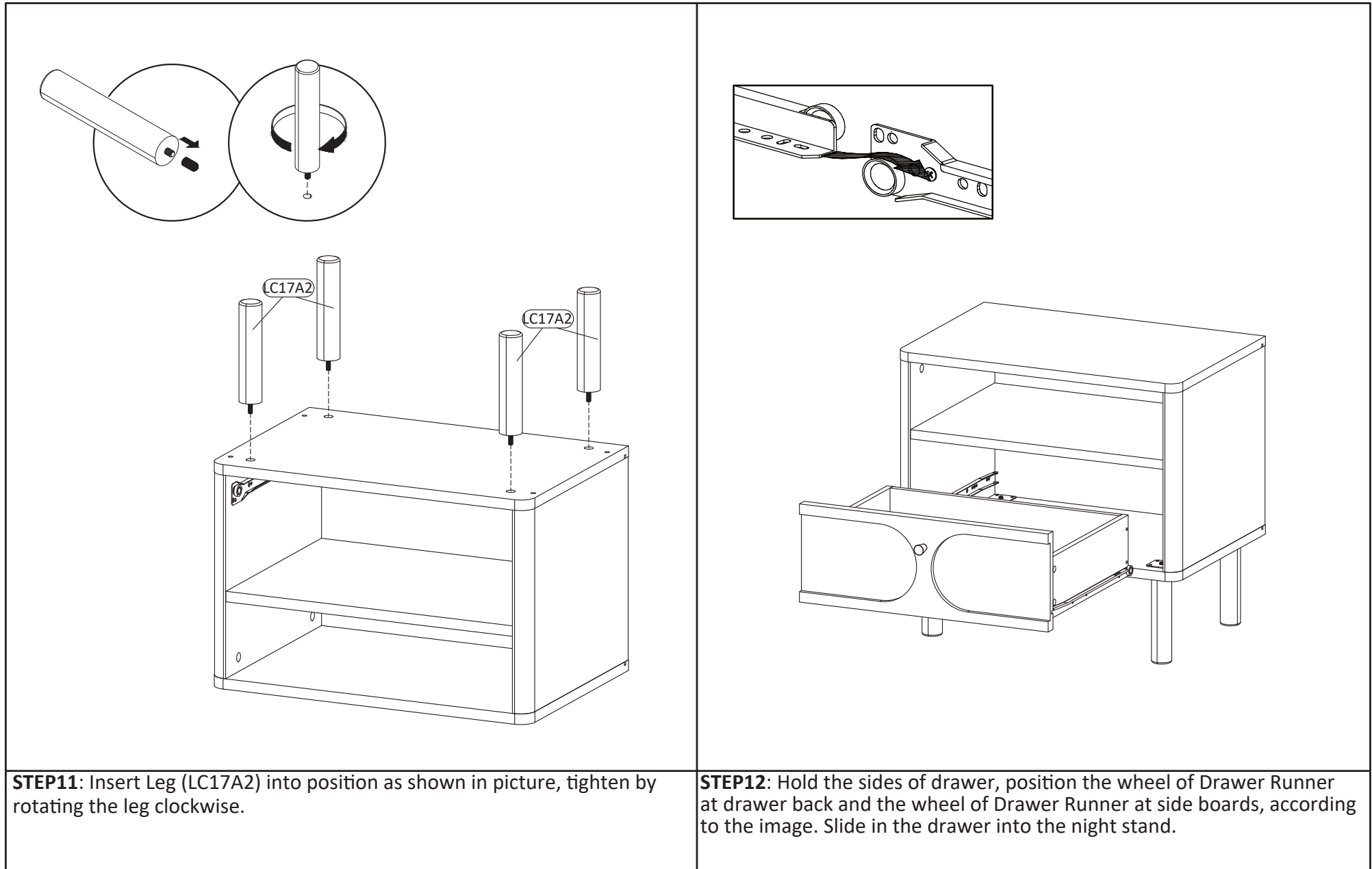
**STEP9:** Install Mounting Plate (PM3) and secure with screw M4.5x12.5mm (HW6) on Bottom Board (B).



**STEP10:** Insert Bottom Board (B) and Back Board (K), secure with Screw M7x50mm (HW13), tighten screws using Allen Key (HW12).

# PREPARATION

- \*Before beginning assembly of product, make sure all parts are present. Compare parts with part contents list and hardware contents list.
- \*If any part is missing or damaged, do not attempt to assemble the product.
- \*Estimated Assembly Time: 45 minutes.
- \*Tools Required for Assembly (included): Allen Key
- \*If you are having difficulty, our friendly Customer Care team is always here to help. Please email [customersupport@safavieh.com](mailto:customersupport@safavieh.com)

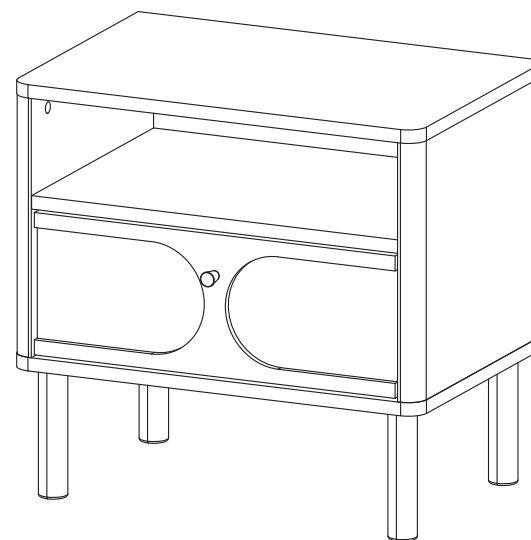
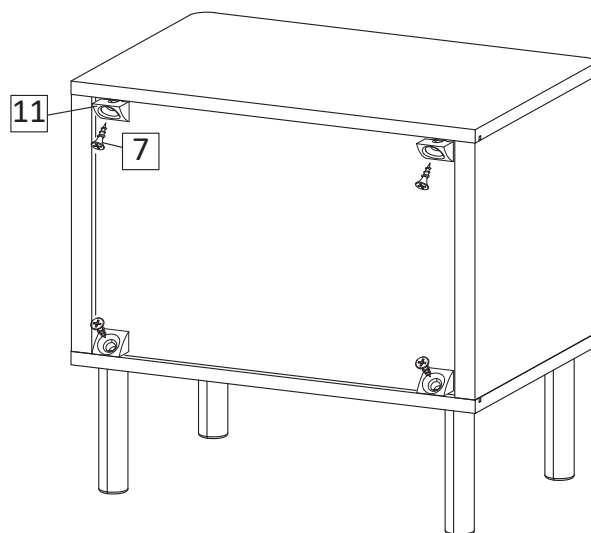
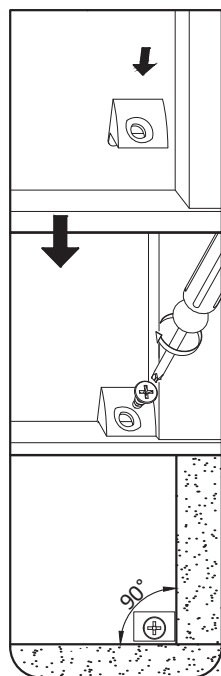


**STEP11:** Insert Leg (LC17A2) into position as shown in picture, tighten by rotating the leg clockwise.

**STEP12:** Hold the sides of drawer, position the wheel of Drawer Runner at drawer back and the wheel of Drawer Runner at side boards, according to the image. Slide in the drawer into the night stand.

## PREPARATION

- \*Before beginning assembly of product, make sure all parts are present. Compare parts with part contents list and hardware contents list.
- \*If any part is missing or damaged, do not attempt to assemble the product.
- \*Estimated Assembly Time: 45 minutes.
- \*Tools Required for Assembly (included): Allen Key
- \*If you are having difficulty, our friendly Customer Care team is always here to help. Please email [customersupport@safavieh.com](mailto:customersupport@safavieh.com)



**STEP13:** Use Wedge (HW11), Screw M3.5x15.5mm (HW7) to tighten the back of Night Stand by using screwdriver. Please align the top board and bottom board in 90° position against the side board, before securing the wedges (HW11).

**STEP14:** Assembly is complete.

# TIPPING RESTRAINTS KIT INSTALLATION GUIDANCE

Different wall materials require unique wall fasteners.

The wall plugs (AA2) and screws (AA3) are designed for fixing to concrete walls only.

Please consult your local hardware store to ensure you are using the correct hardware for your wall type.

