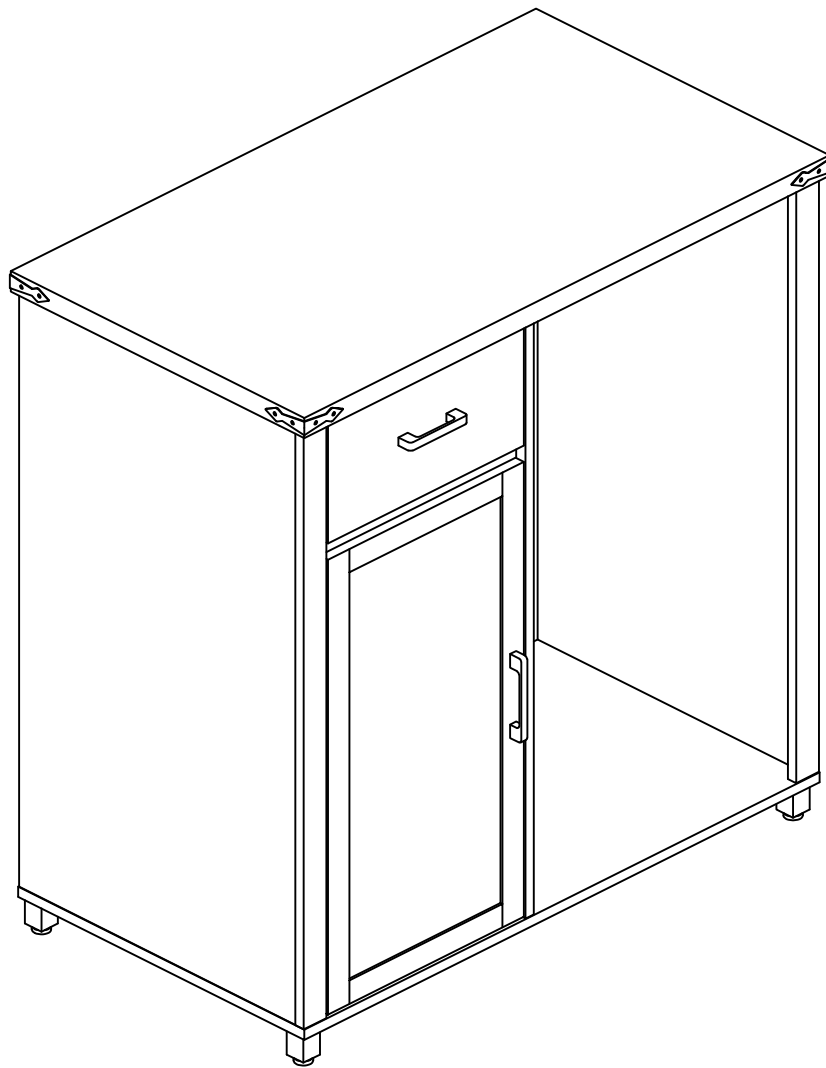
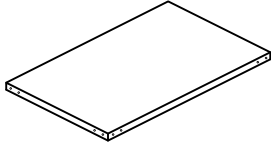
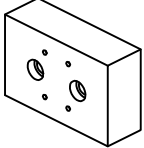
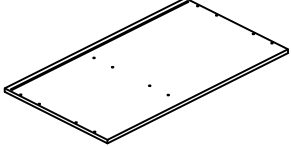
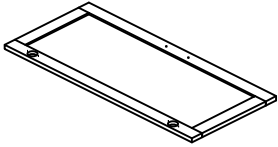
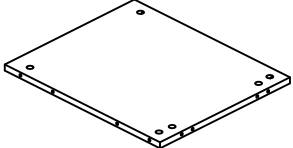
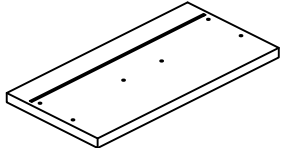
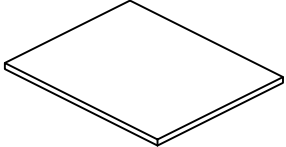
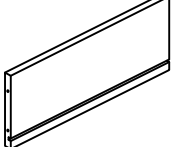
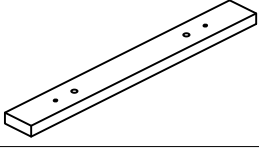
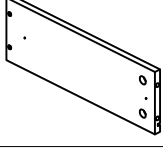
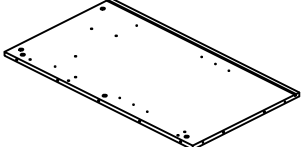

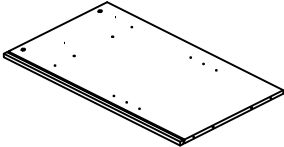
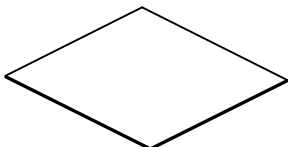
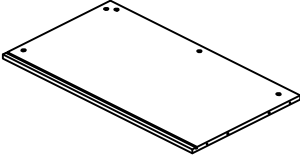
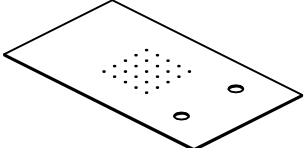
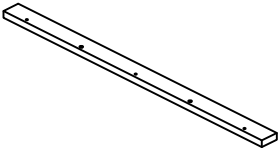
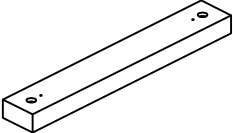



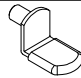
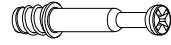


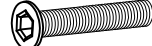




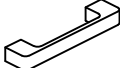
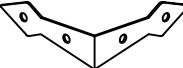



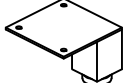


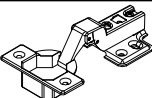
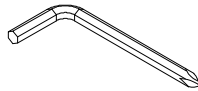
Assembly Instructions

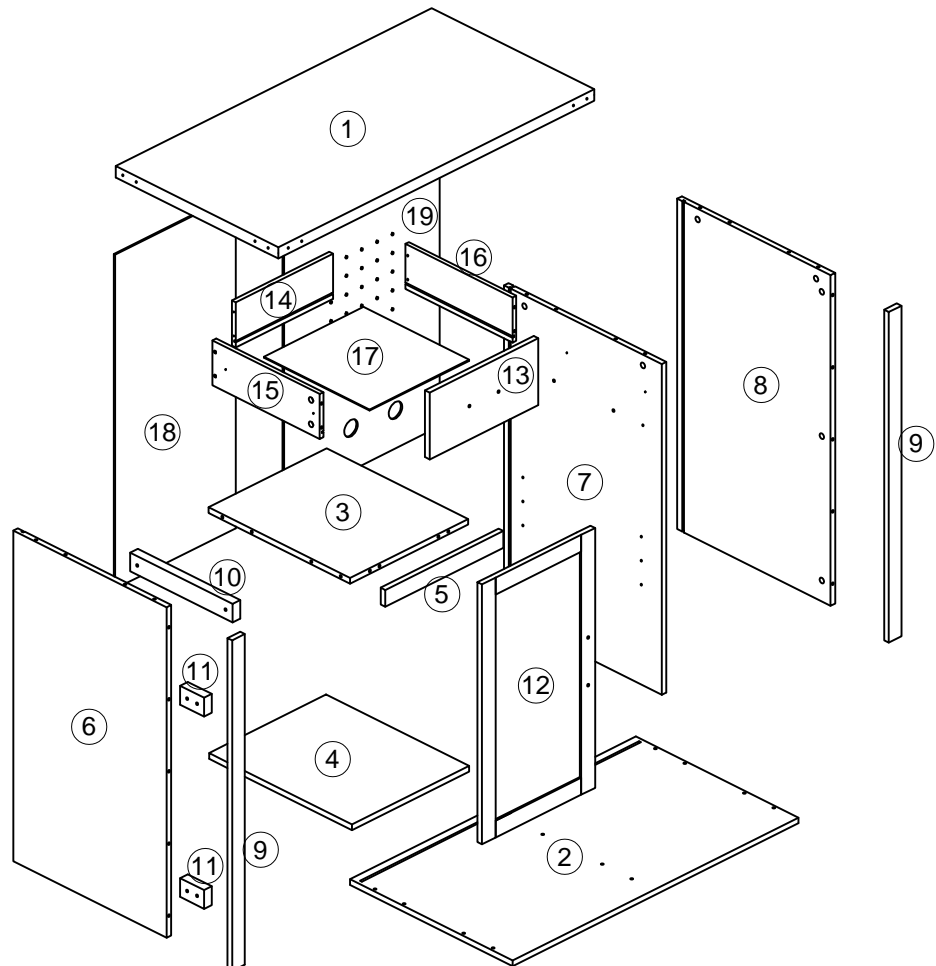


Parts List

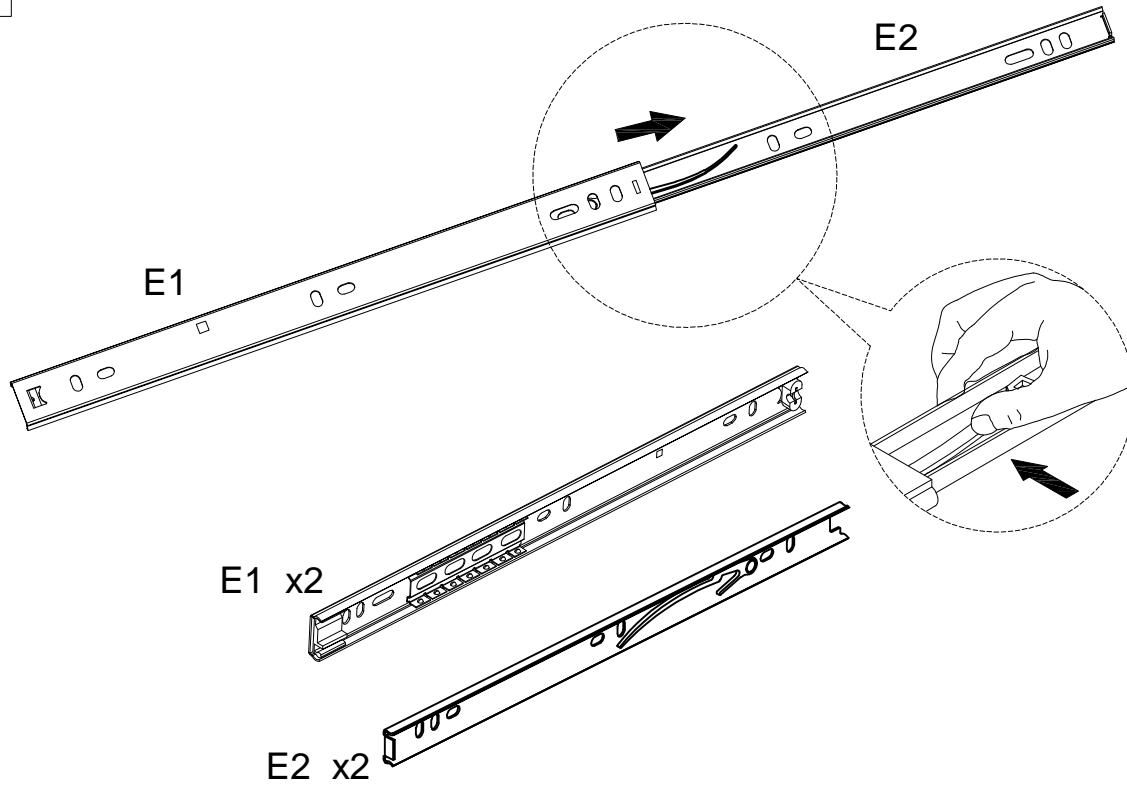
ITEM	PART	QTY	ITEM	PART	QTY
①		1PC	⑪		2PCS
②		1PC	⑫		1PC
③		1PC	⑬		1PC
④		1PC	⑭		1PC
⑤		1PC	⑮		1PC
⑥		1PC	⑯		1PC
⑦		1PC	⑰		1PC
⑧		1PC	⑱		1PC
⑨		2PCS			
⑩		1PC			

Hardware List

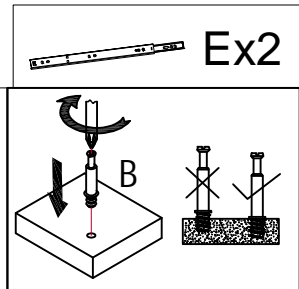
ITEM	PART	QTY	ITEM	PART	QTY
A	 Ø7.8x30mm	22+2PCS	K		4+1PCS
B	 Ø6x35mm	22+2PCS	L	 Ø8x4x35mm	4+1PCS
C	 Ø15*10	22+2PCS	M	 M6x30mm	6+1PCS
D	 Ø7x38mm	6+1PCS	N		12+2PCS
E	 390mm	2PCS		 Ø6x3x16mm	12+2PCS
F		1PC	O		4PCS
G		1PC	P	 Ø8x4x14mm	31+3PCS
H	 M4x18mm	4PCS	Q		5PCS
I	 Ø7x3.5x12mm	22+2PCS	R		2SET
J		2PCS			



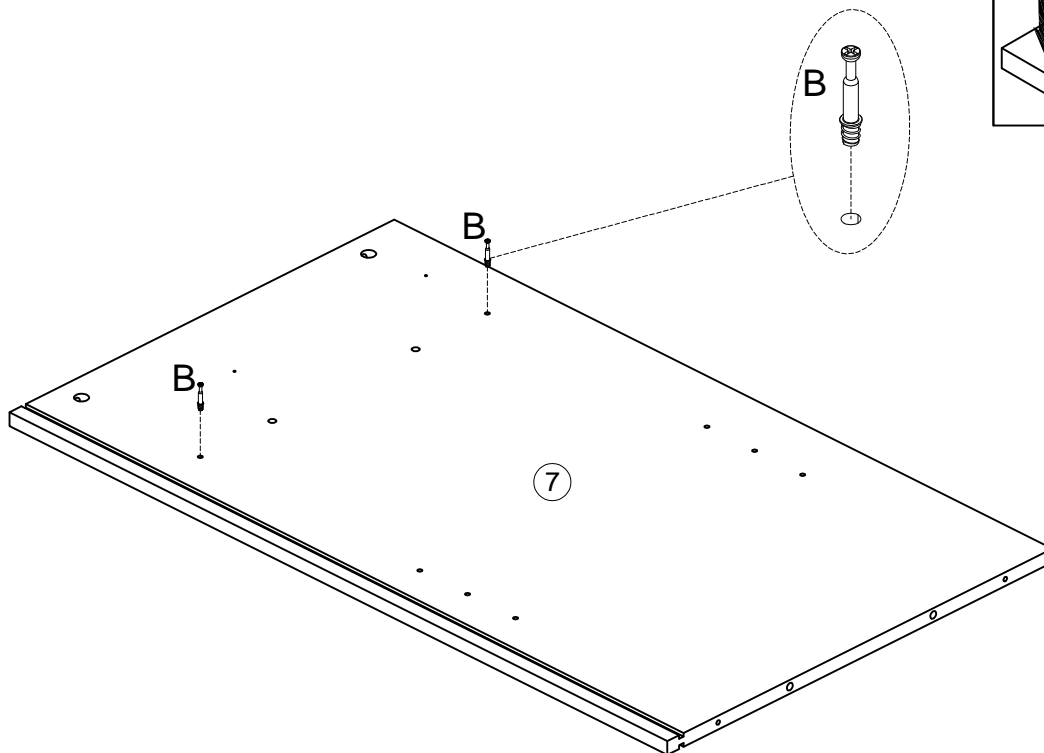
1



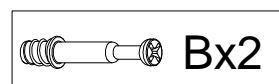
Separate Slide Rail set E x4 as E1 and E2 as shown for further use.



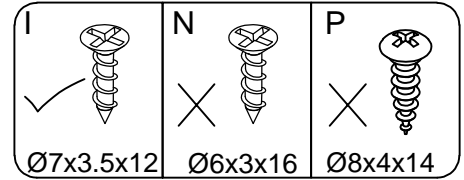
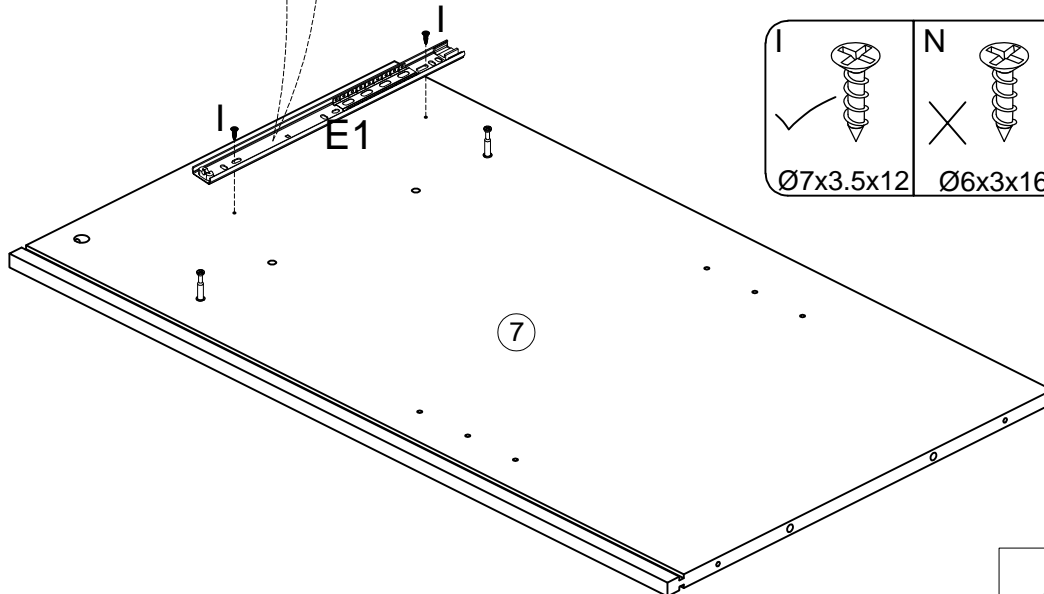
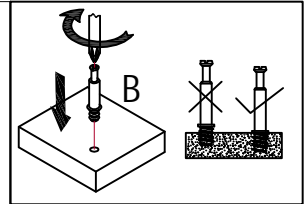
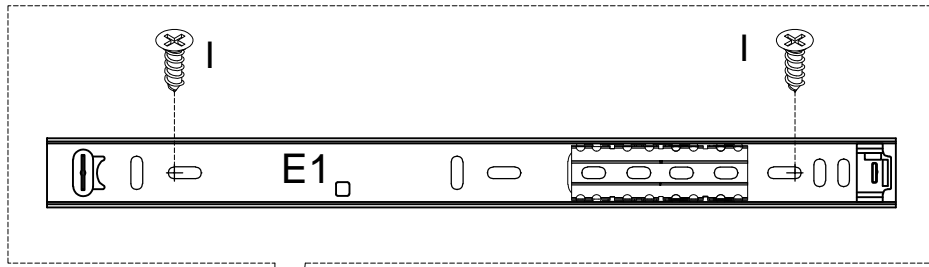
2



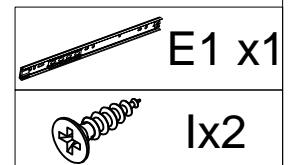
Install Cam Bolts B x2 into Part #7 as shown.



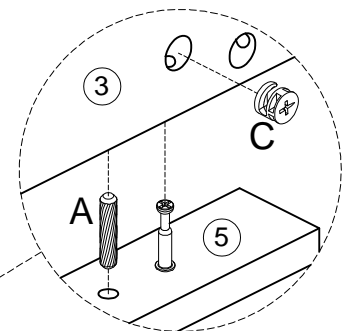
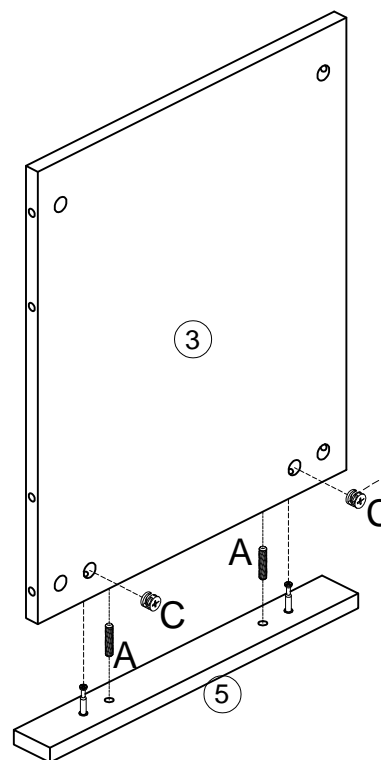
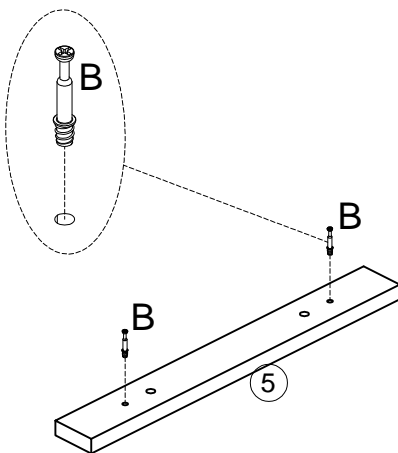
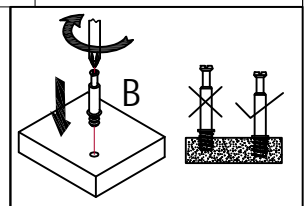
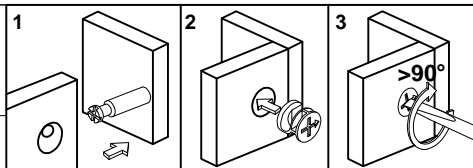
3



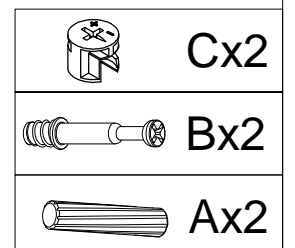
Install Rail E1 x1 to Part #7 with Screws I x2 as shown.
Pay attention to the orientation of the rail.



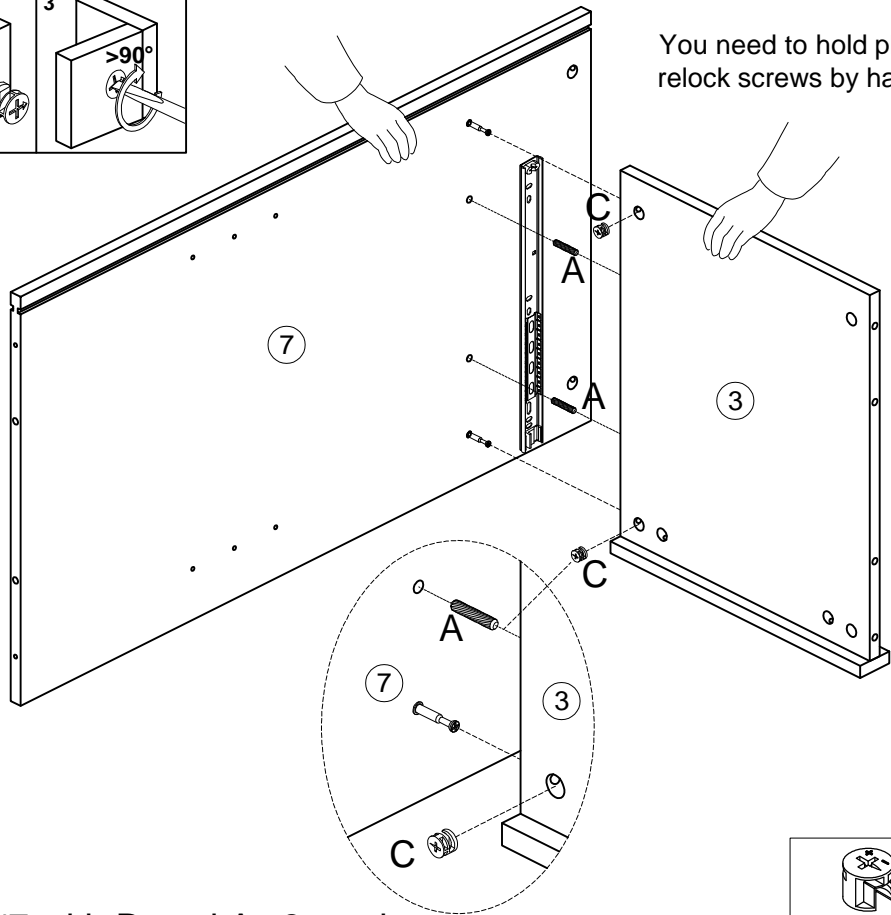
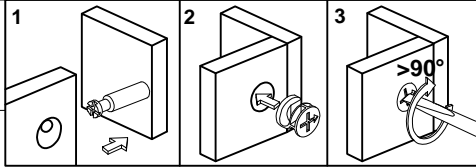
4



Install Cam Bolt B x2 to Part #5 as shown.
Attach Part #5 to Part #3 with Dowel A x2 as shown.
Install and Turn Nuts C x2 to secure position as shown.



5



You need to hold plate 3 and 7 and relock screws by hand

Attach Part #3 to Part #7 with Dowel A x2 as shown.
Install and Turn Nuts C x2 to secure position as shown.

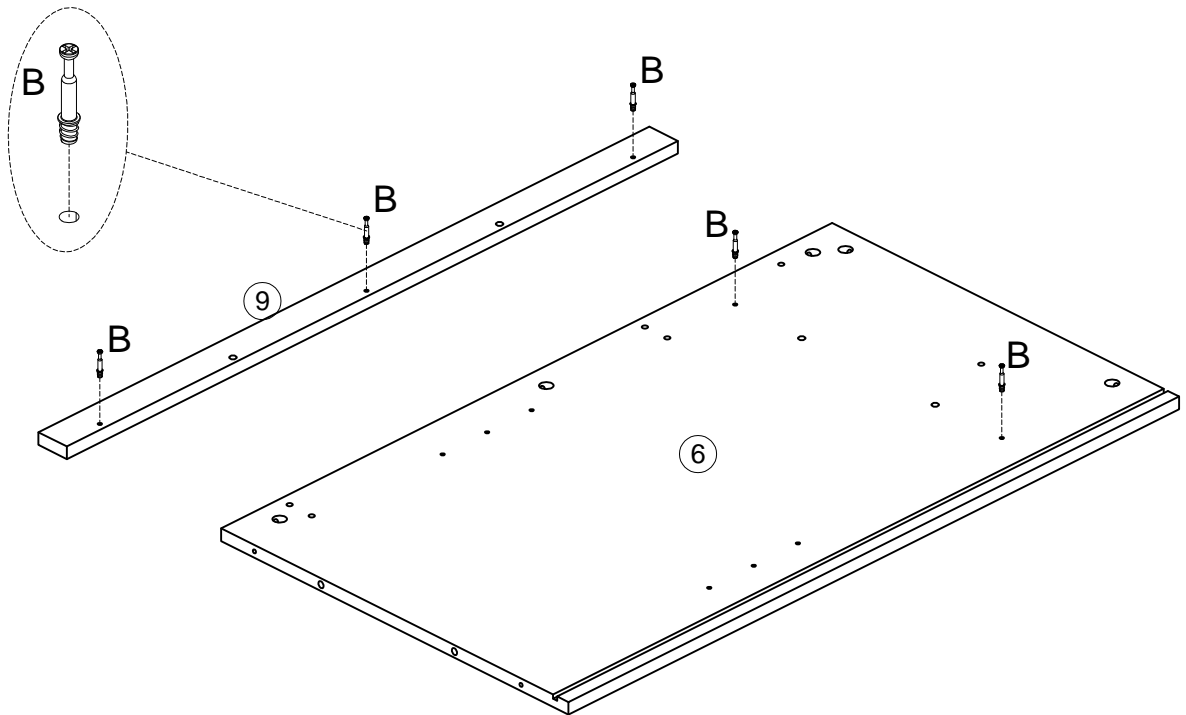


Cx2

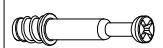


Ax2

6

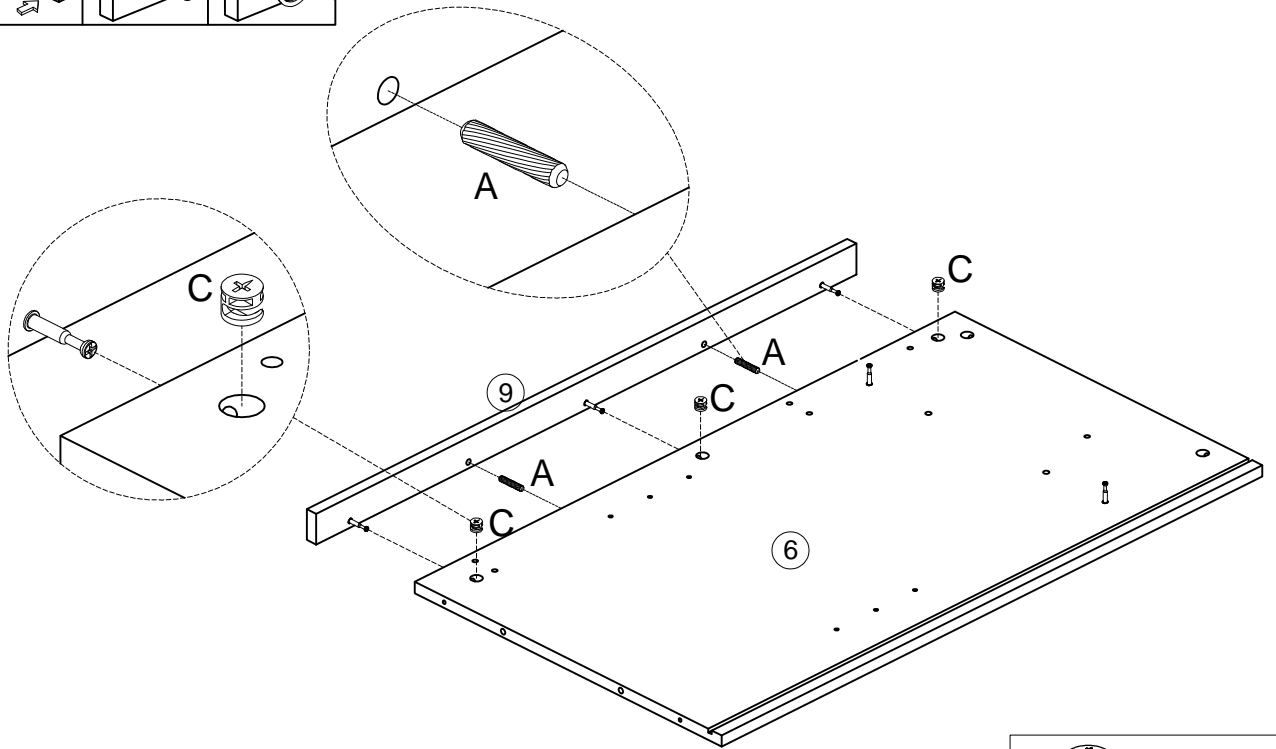
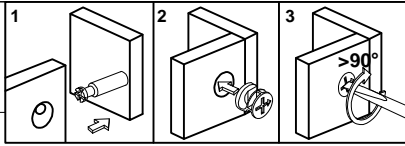


Install Cam Bolt B x5 to Part #6&9 as shown.



Bx5

7



Attach Part #9 to Part #6 with Dowel A x2 as shown.
Install and Turn Nuts C x3 to secure position as shown.

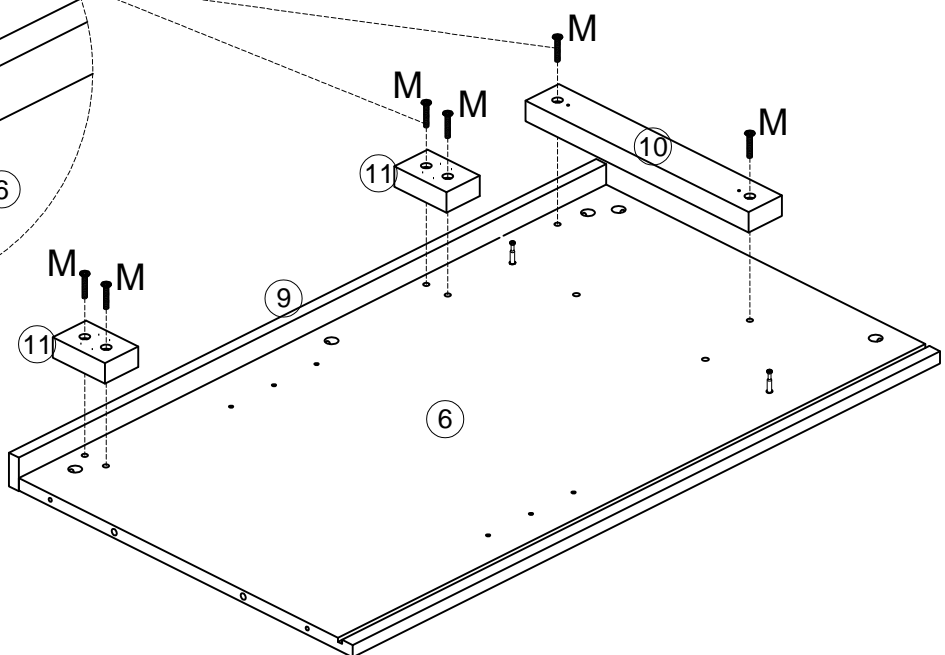
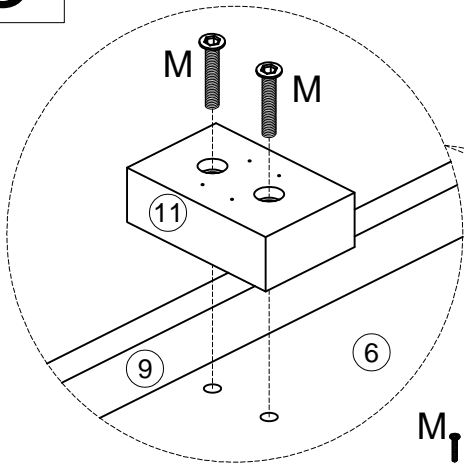


Cx3

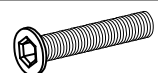


Ax2

8

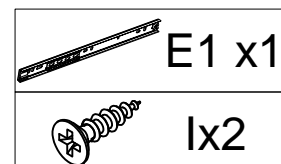
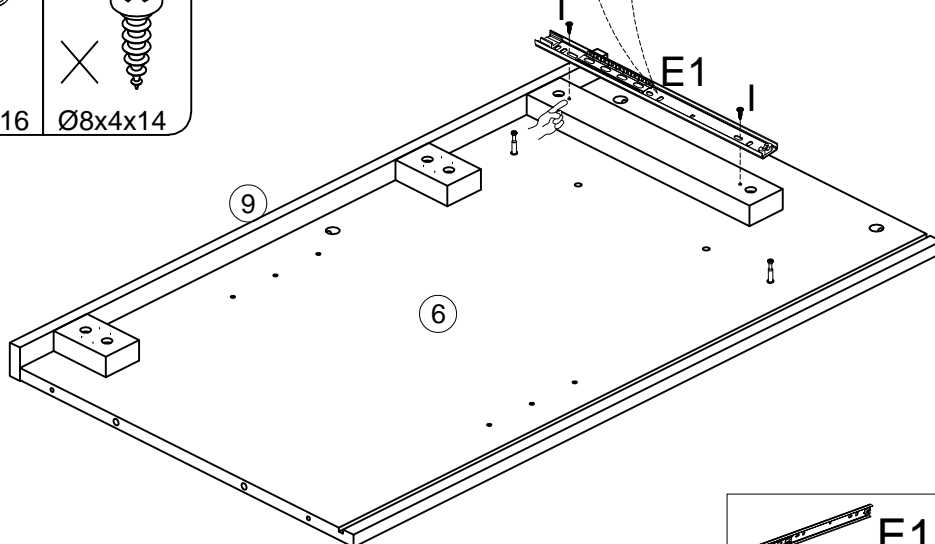
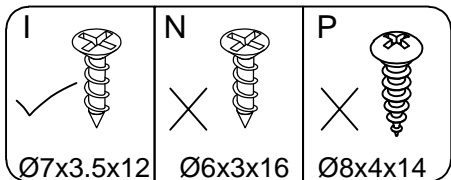
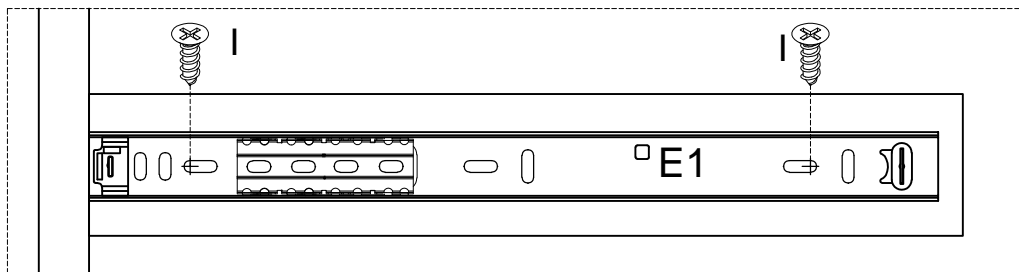


Attach Part #10&Part #11 x2 to Part #6 with Screws M x6
as shown.



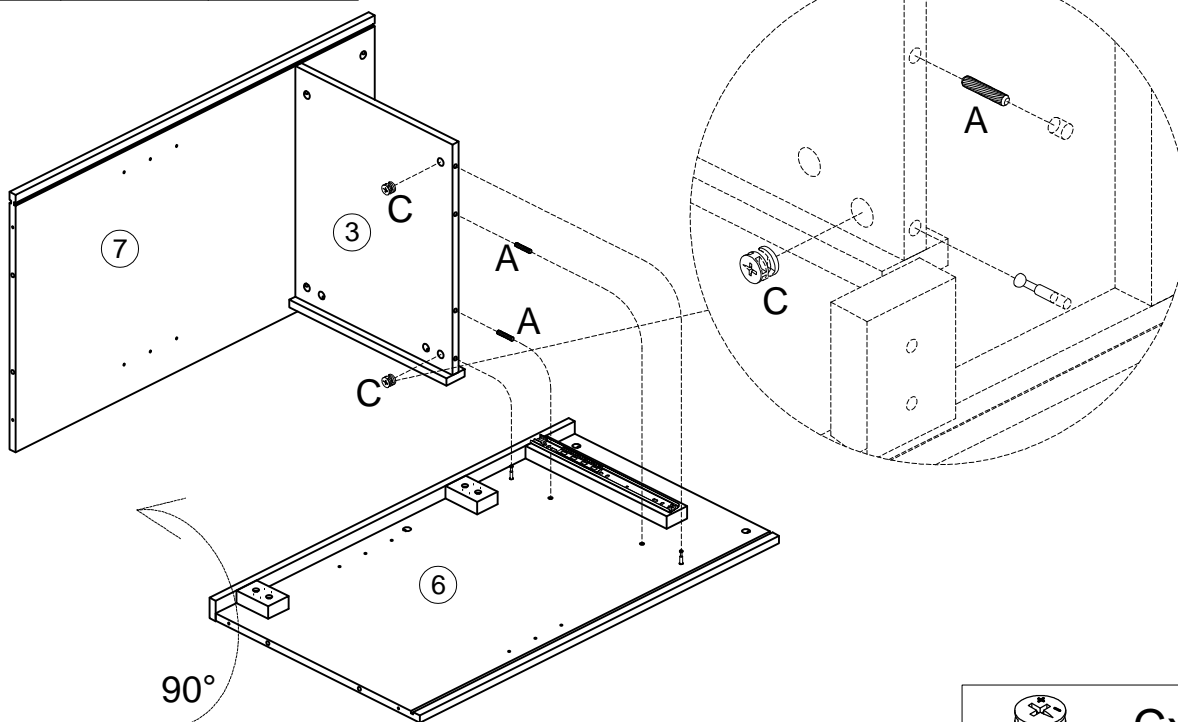
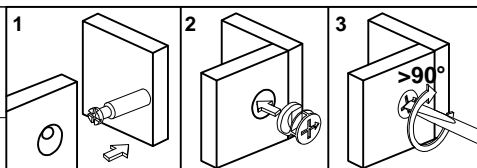
Mx6

9



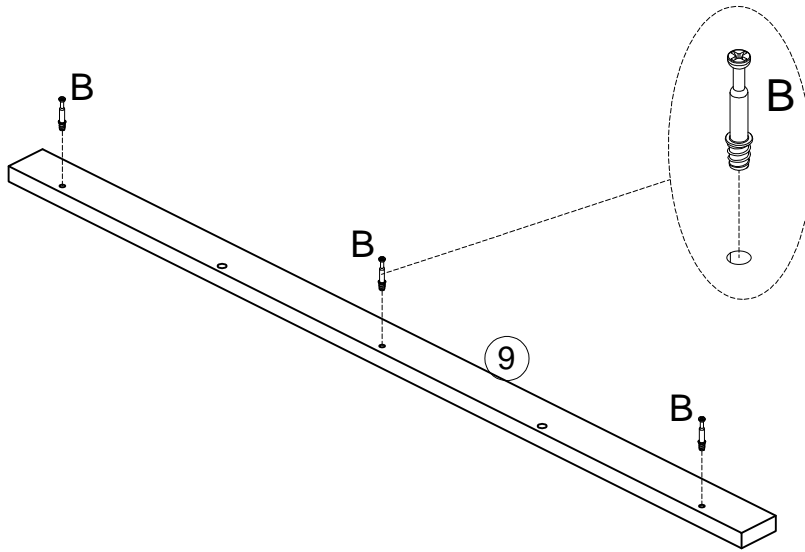
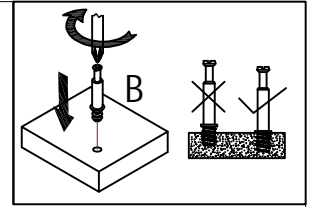
Install Rail E1 x1 to Part #10 with Screws I x2 as shown.
Pay attention to the orientation of the rail.

10

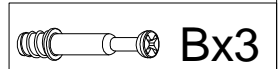


Attach Part #6 to Part #3 with Dowel A x2 as shown.
Install and Turn Nuts C x2 to secure position as shown.

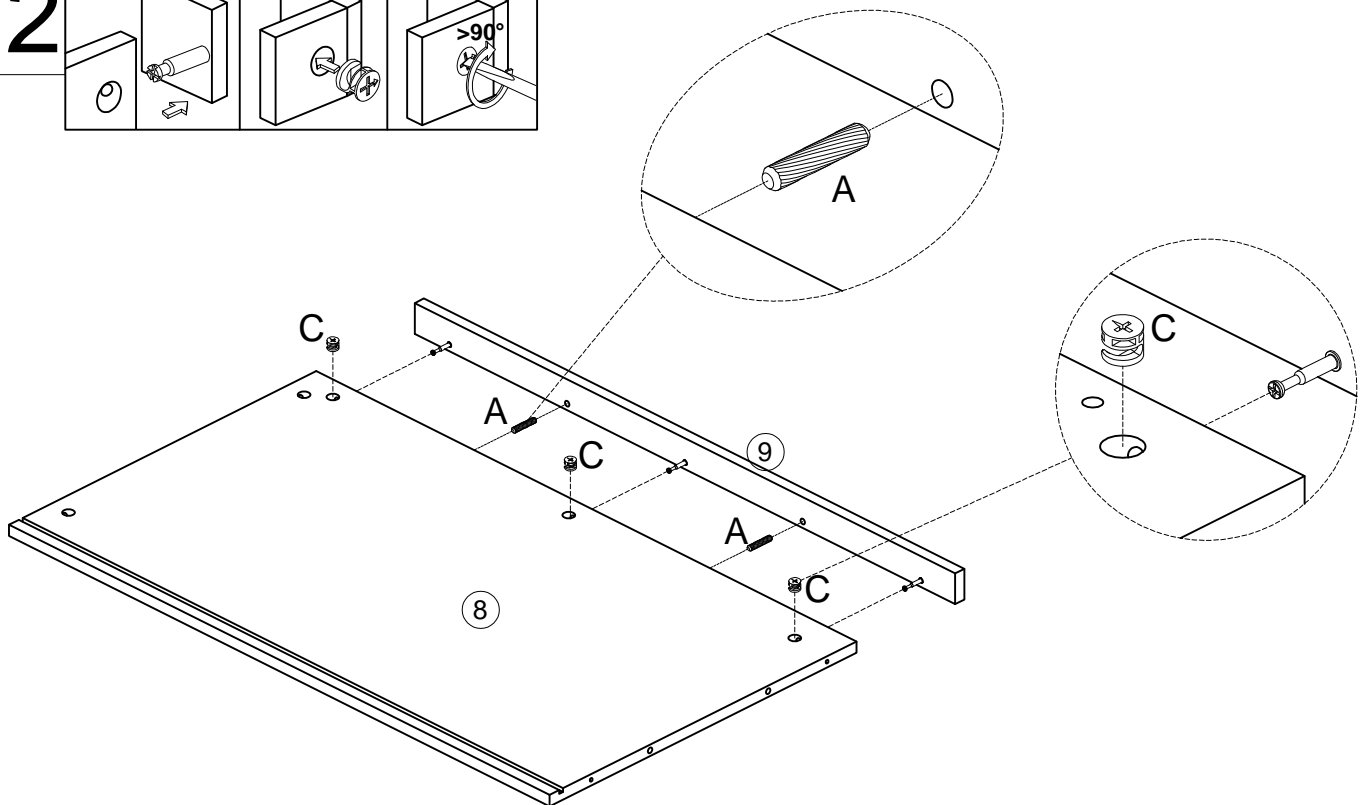
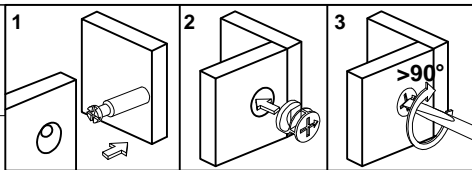
11



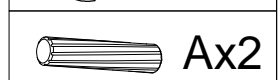
Install Cam Bolt B x3 to Part #9 as shown.



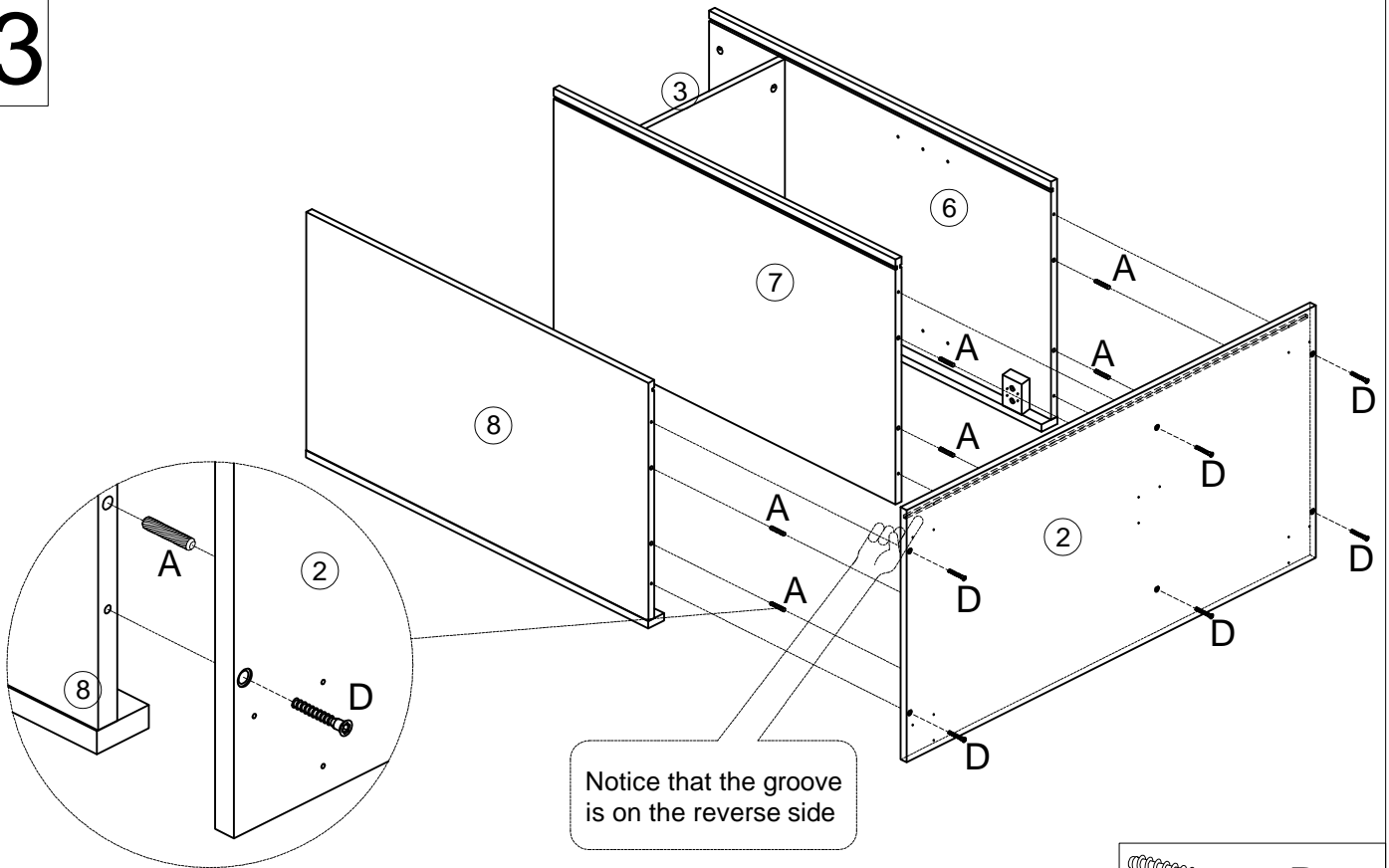
12



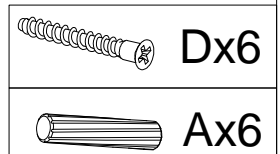
Attach Part #9 to Part #8 with Dowel A x2 as shown.
Install and Turn Nuts C x3 to secure position as shown.



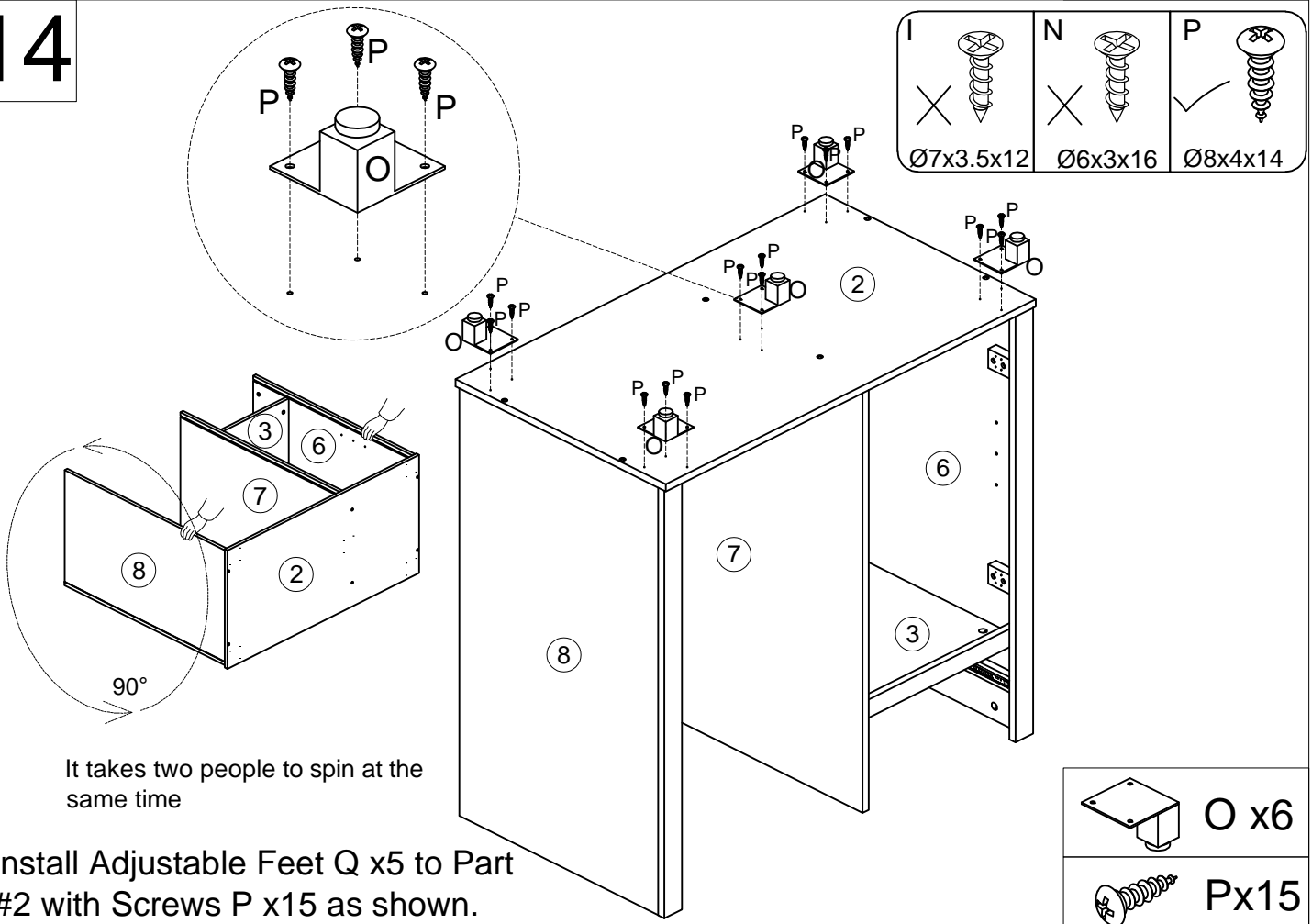
13



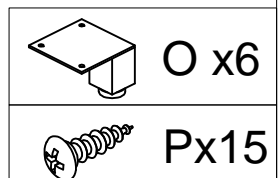
Attach Part #2 to Part #6&7&8 with Dowel A x6 and Screws D x6 as shown.



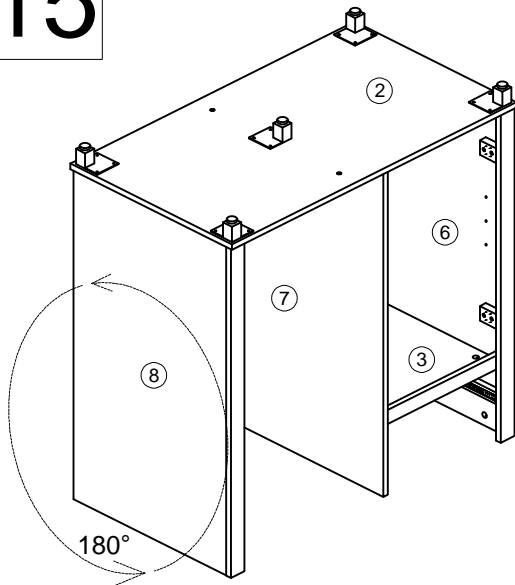
14



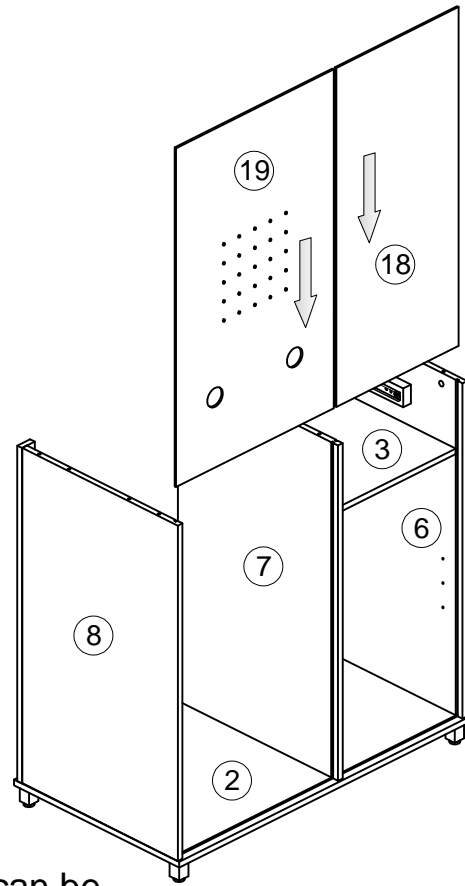
Install Adjustable Feet Q x5 to Part #2 with Screws P x15 as shown.



15

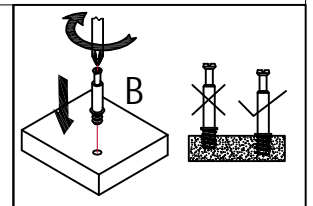
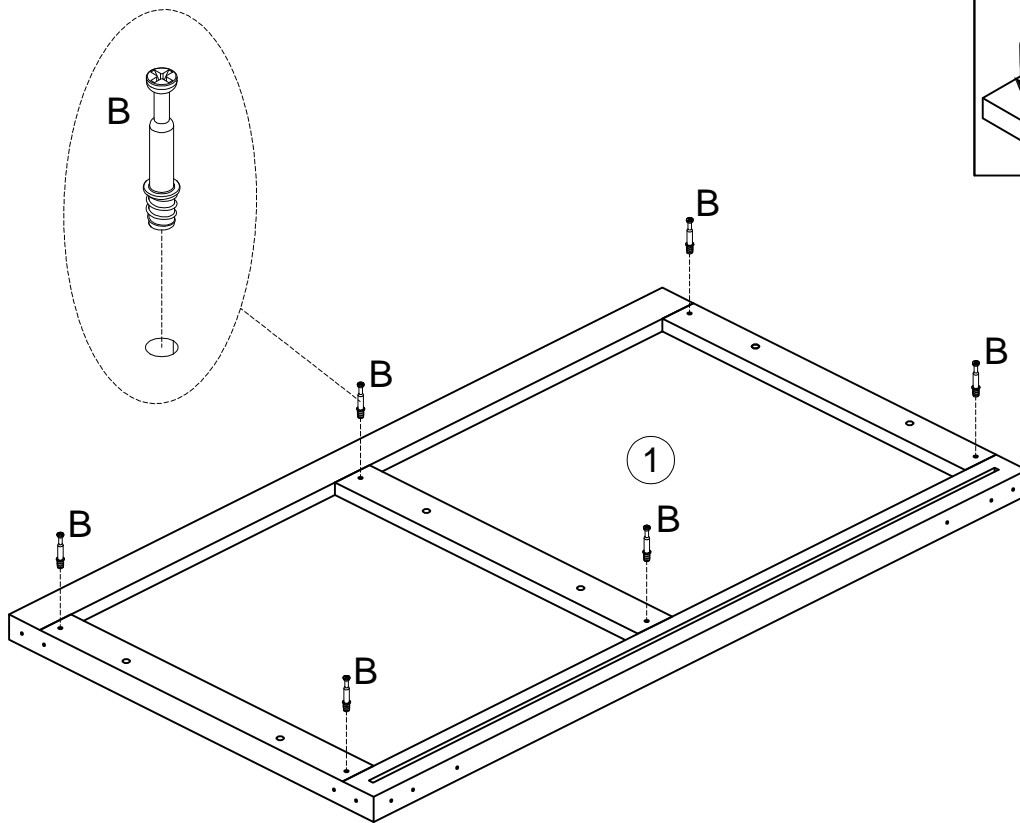


It takes two people to spin at the same time

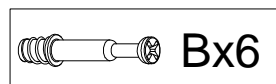


Attach Back Panel Part #18 to the Part #6&7
Attach Back Panel Part #19 to the Part #7&8
Note: The position of the cable hole on Part #19 can be adjusted according to the cable position of your refrigerator.

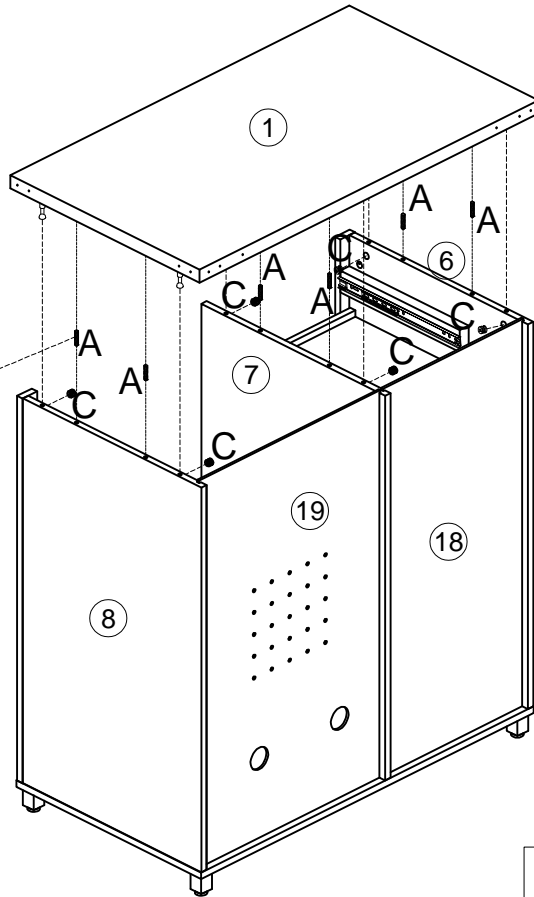
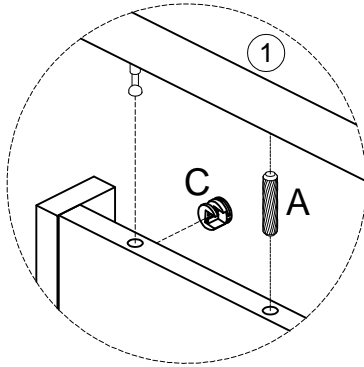
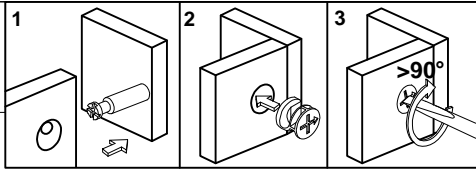
16



Install Cam Bolt B x6 to Part #1 as shown.



17



Be careful with your fingers

Attach Part #1 to Part #6&7&8 with Dowel A x6 as shown.
Install and Turn Nuts C x6 to secure position as shown.

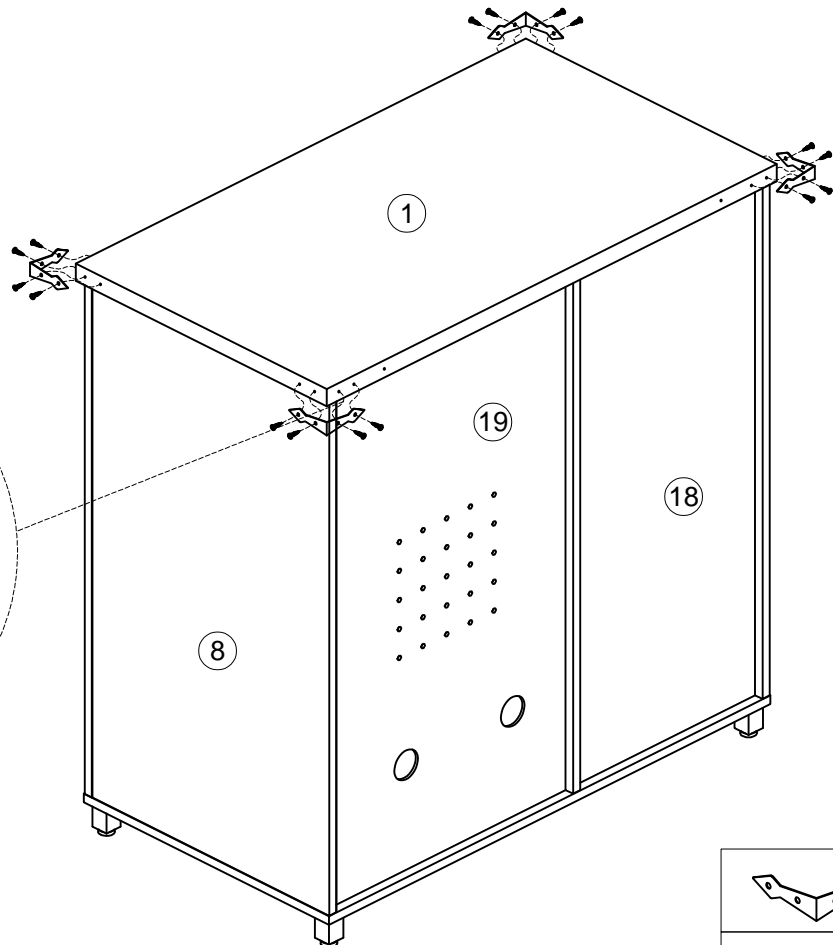
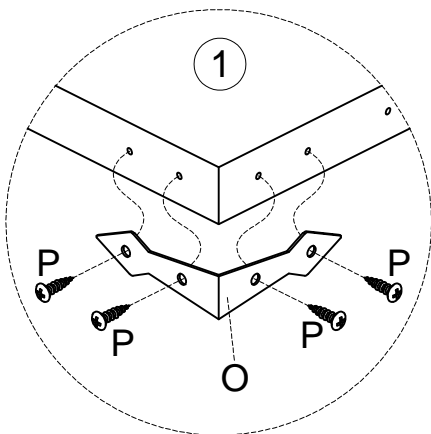


Cx6



Ax6

18



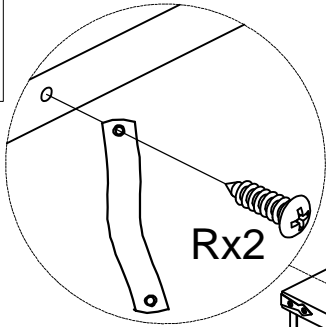
Ox4



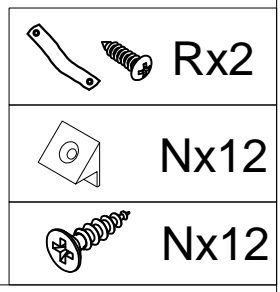
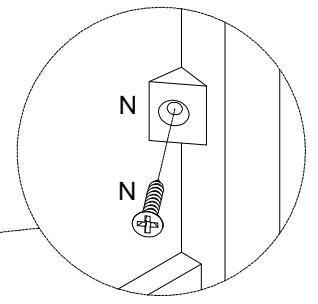
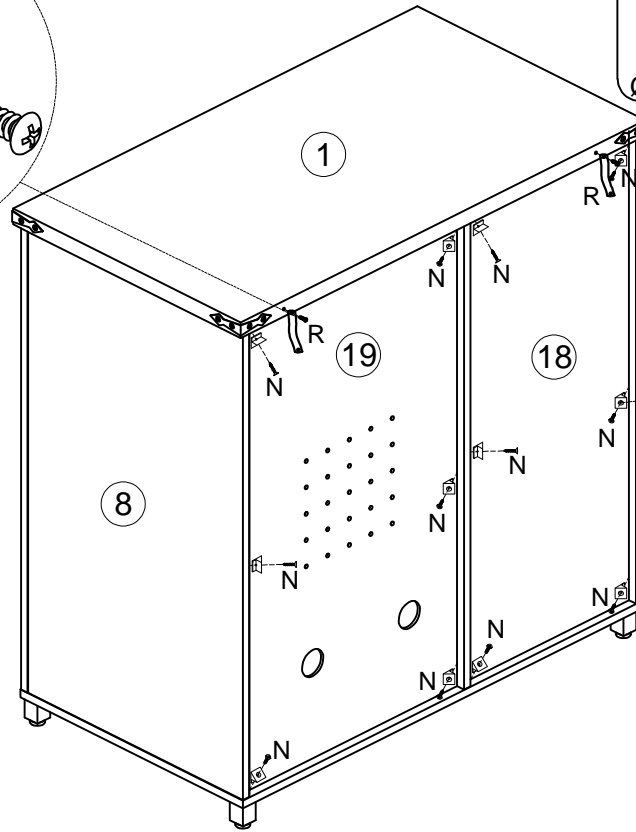
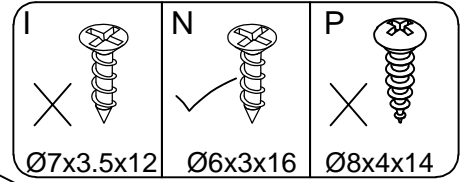
Px16

Install Angle Brackets O x4 to Part #1 with Screws P x16 as shown.

19

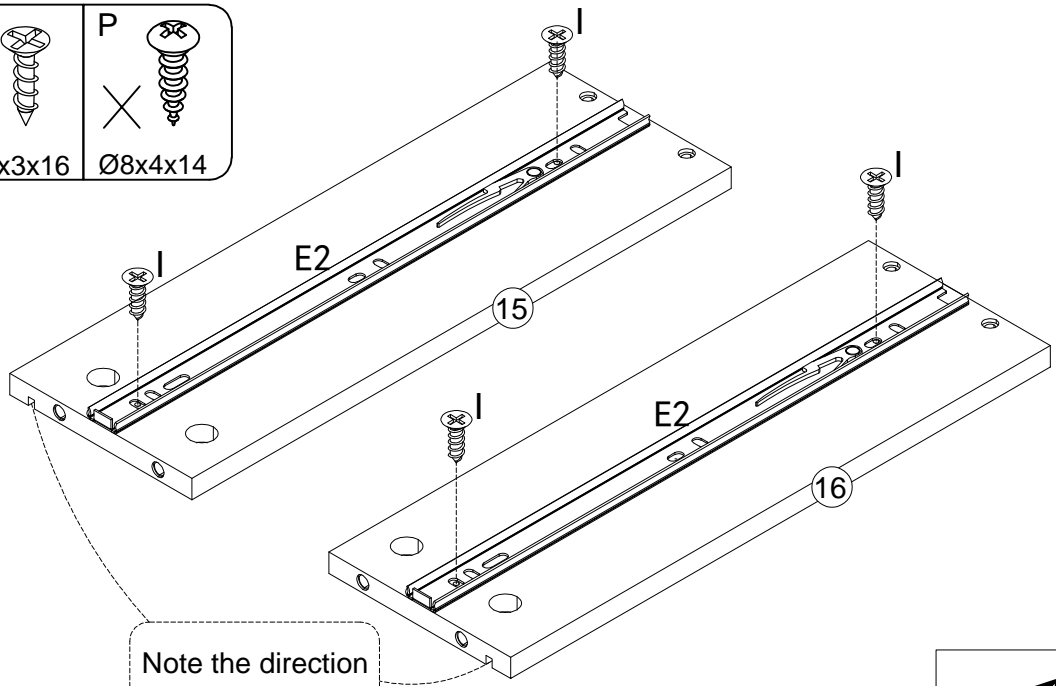
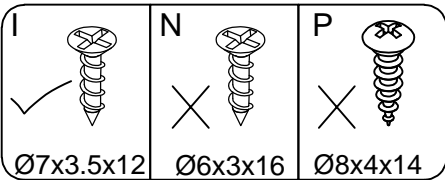
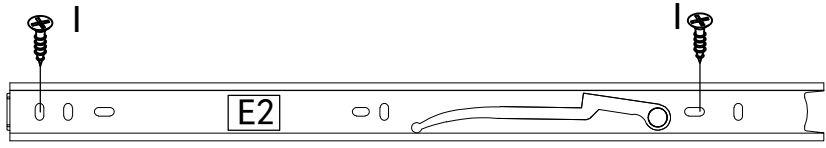


Rx2

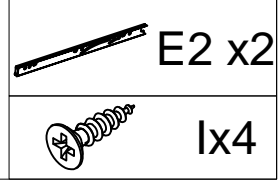


Install Back Buckle N x18 to backside (Part #18&19) with Screws N x18 as shown to make the product more stable.

20

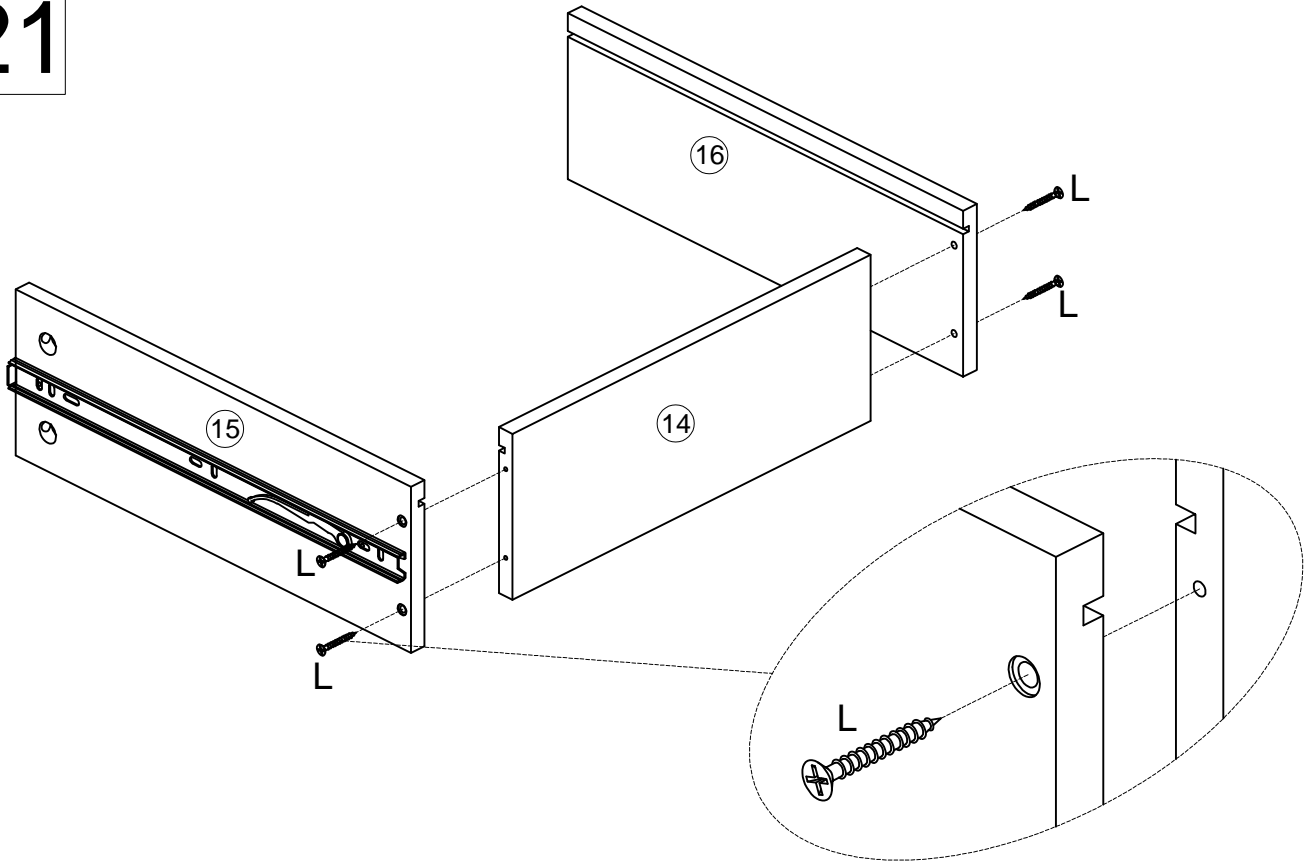


Note the direction of the slot

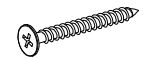


Install Rail E2 x2 to Part #15&16 with Screws I x4 as shown.

21

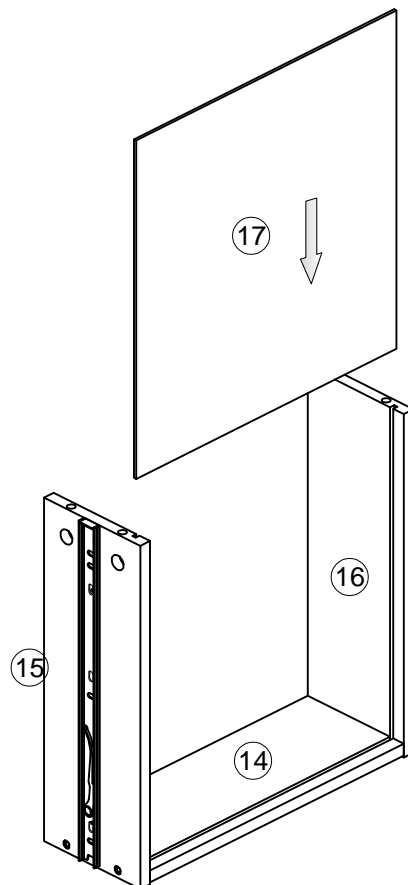


Attach Part #15&16to Part #14 with Screws L x4 as shown.



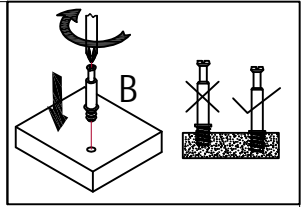
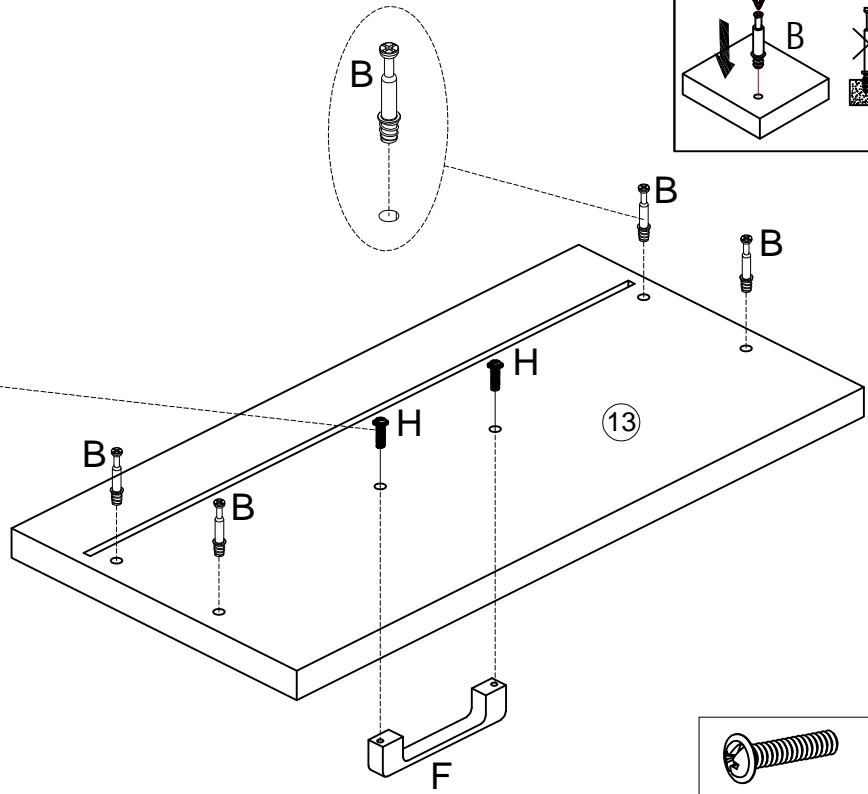
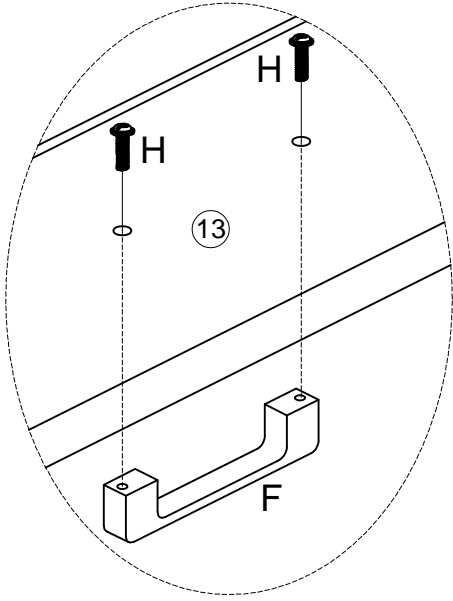
Lx4

22

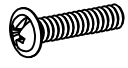

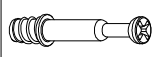


Attach Bottom Panel Part #17 to the assembled unit from Step 21.

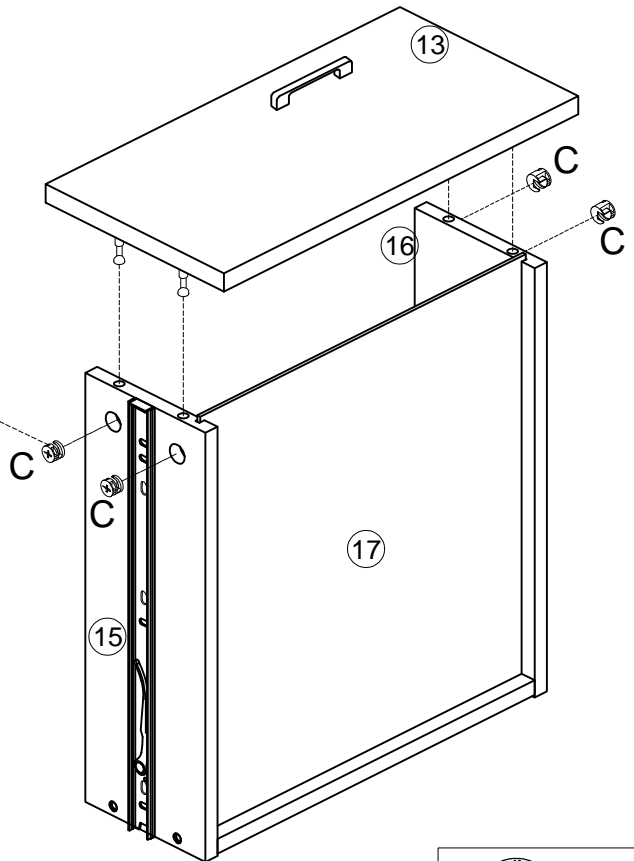
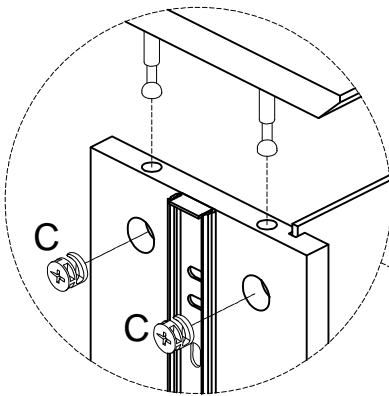
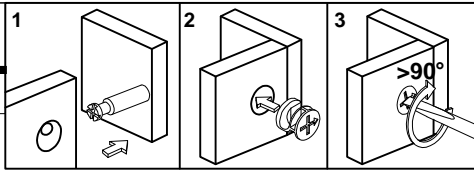
23



Install Cam Bolt B x4 to Part #13 as shown.
Install Handle F x1 to Part #13 with Screws H x2 as shown.

	Hx2
	Fx1
	Bx4

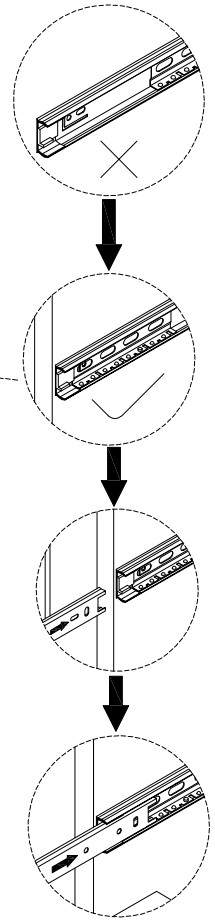
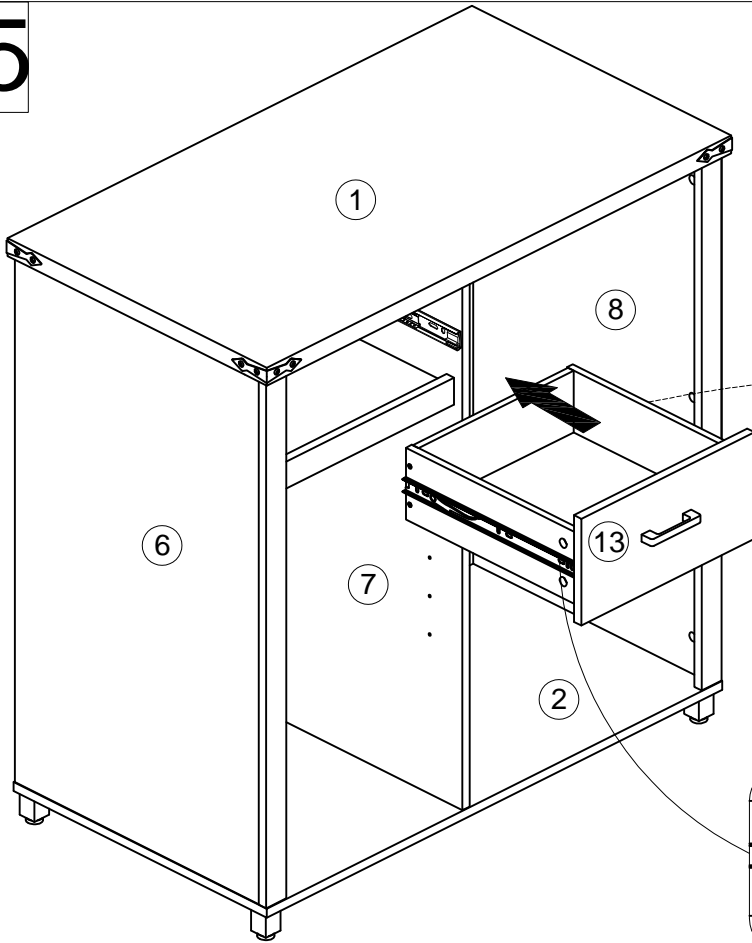
24



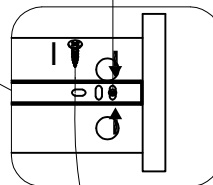
Connect Part #13 to Part #15&16.
Install and Turn Nuts C x4 to secure position as shown.

	Cx4
---	-----

25



This screw can be loosened to adjust the top and bottom gaps of the drawer

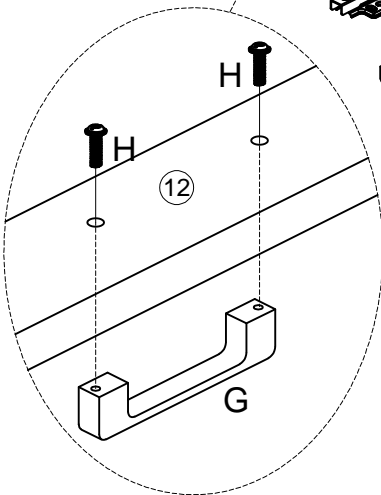
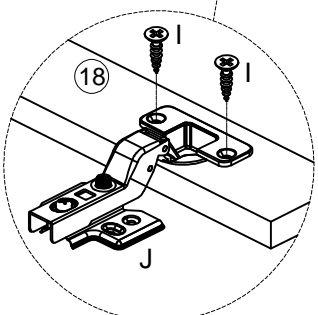
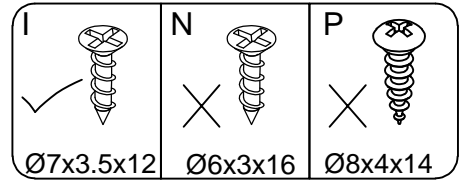
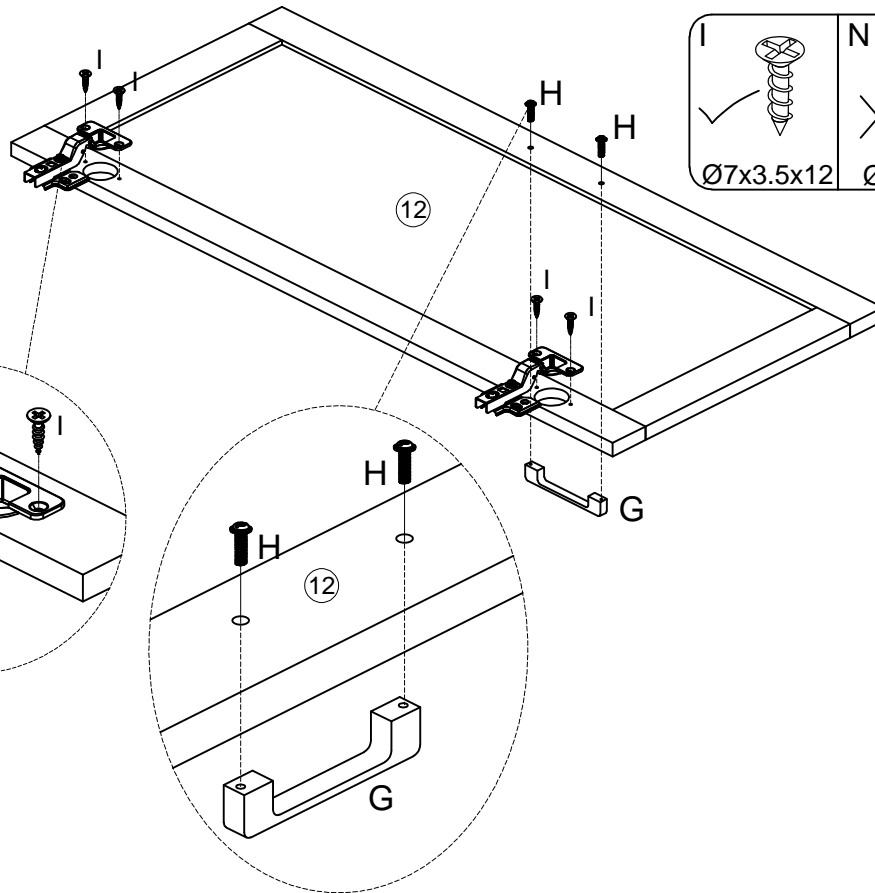


Lock screw (I) after adjusting the upper and lower gaps

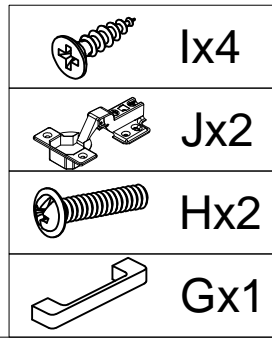
Attach the drawer to the cabinet as shown.



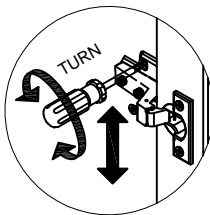
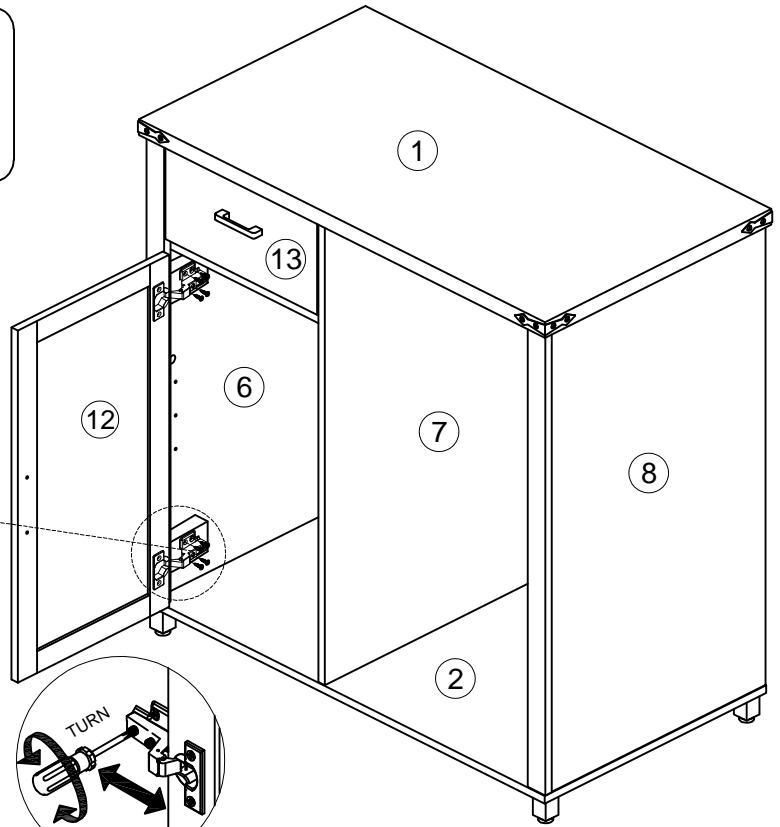
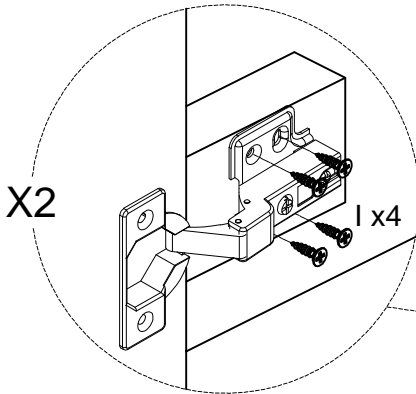
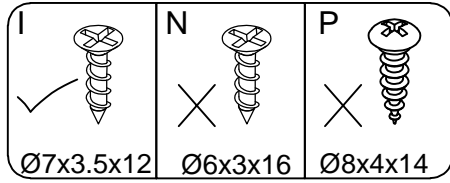
26



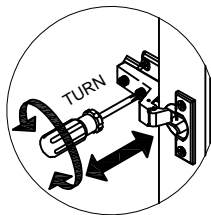
Install J x2 to Part #12 with Screws I x4 as shown.
Install Handle G x1 to Part #12 with Screws H x2 as shown



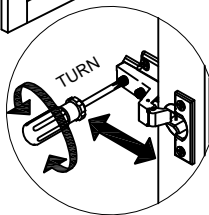
27



Loosen this screw and push up/down for a slight up-down adjustment of the door.



Loosen this screw for a slight left-right adjustment of the door.



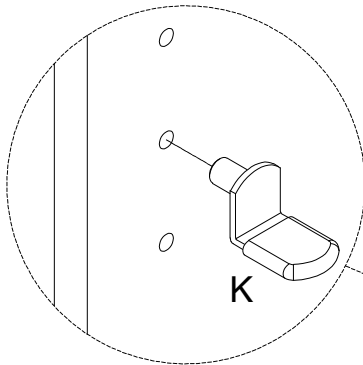
Loosen this screw and push forward/backward for a slight front-back adjustment of the door.

Attach Part #12 to Part #6 with Screws I x8 as shown.

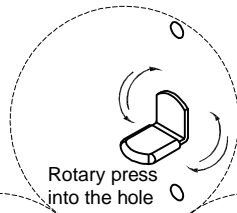


I x8

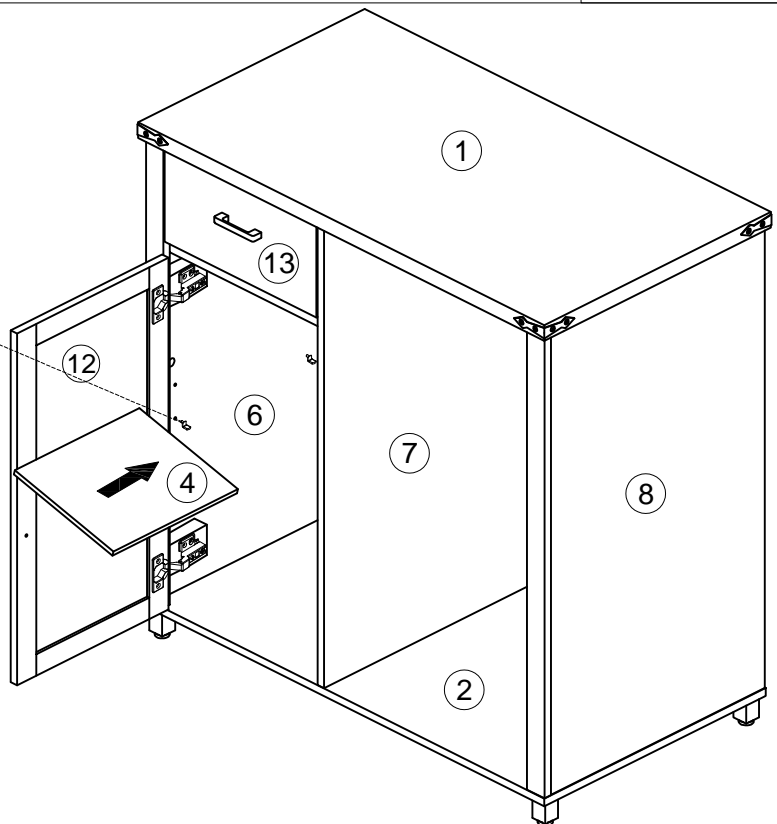
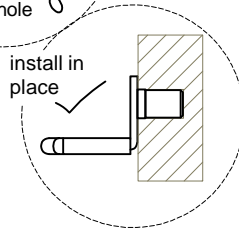
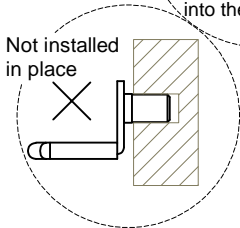
28



K



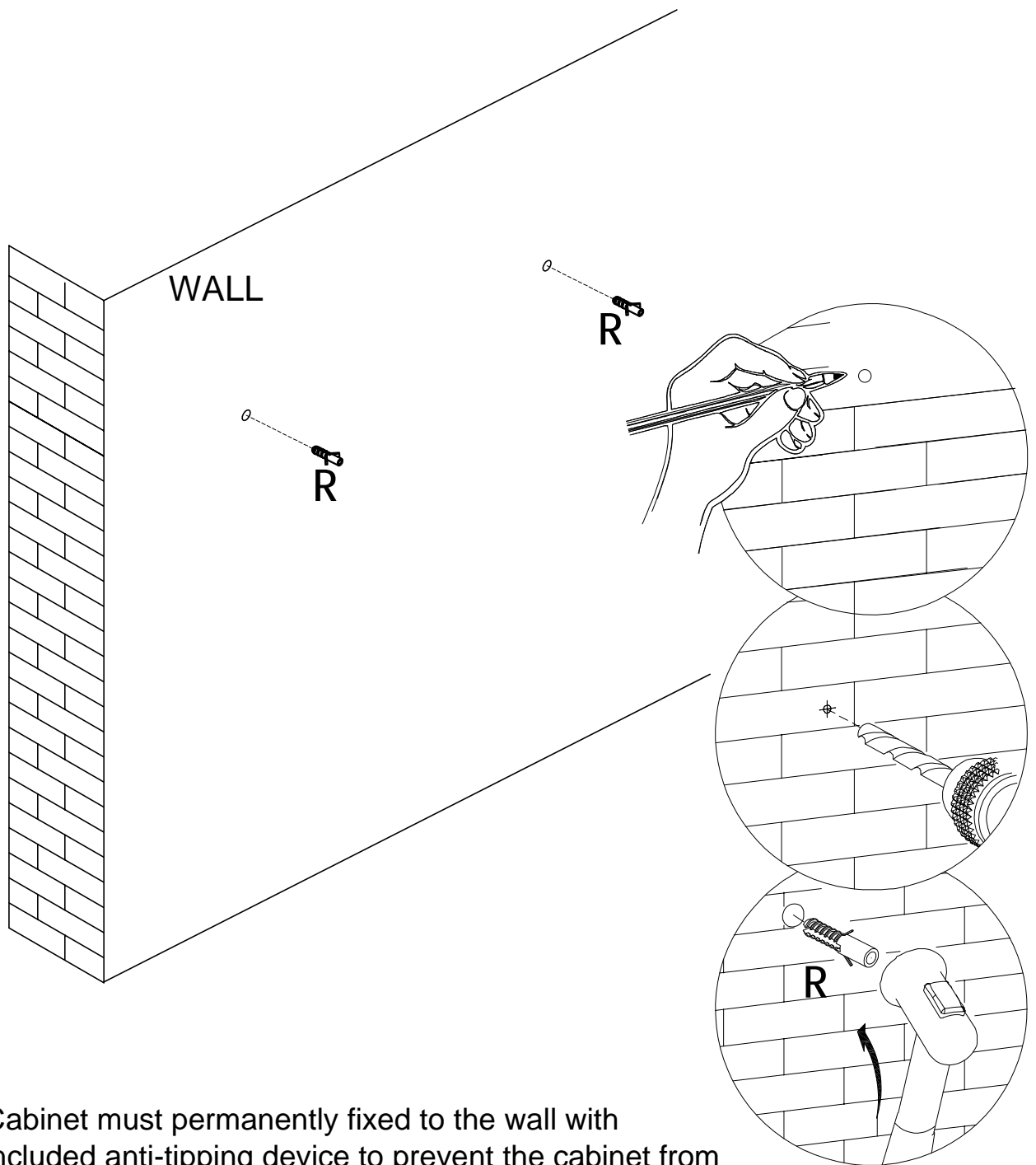
Rotary press into the hole



Put Adjustable Pegs K x4 at your desired height level and insert shelf Part #4 as shown.



K x4



Cabinet must permanently fixed to the wall with included anti-tipping device to prevent the cabinet from tipping over.

.Mark the drill position on the wall with a pencil.

.Drill holes on the marked position using a bit.

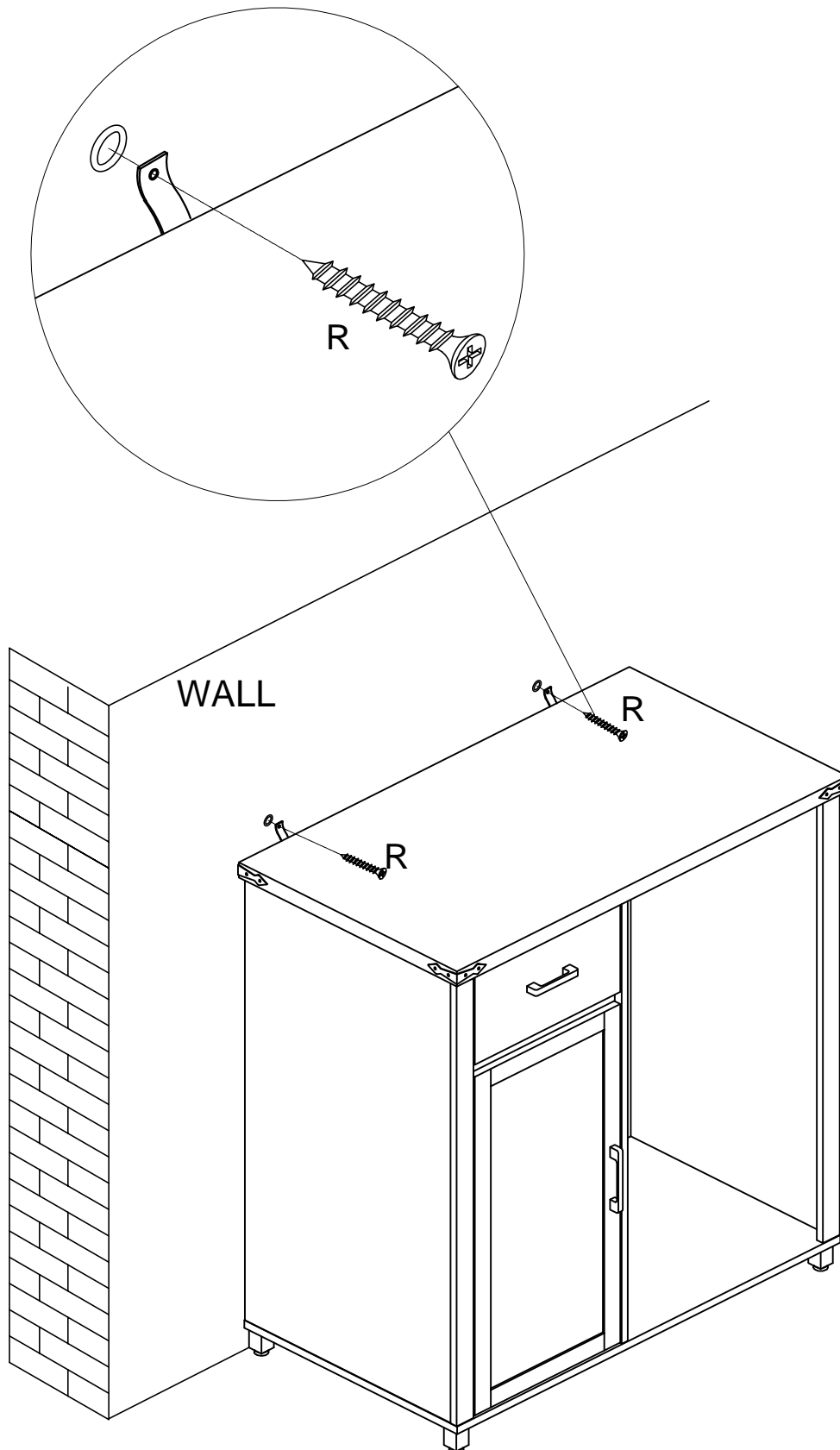
Gently insert the wall anchor (R) into the drilled hole with the help of a hammer.

.Fixed the cabinet to the wall with provided screws (R).



R x2

30



As shown in the picture, insert long screw Q X 2 into the cloth strip and lock it into the wall for fixing



R x2