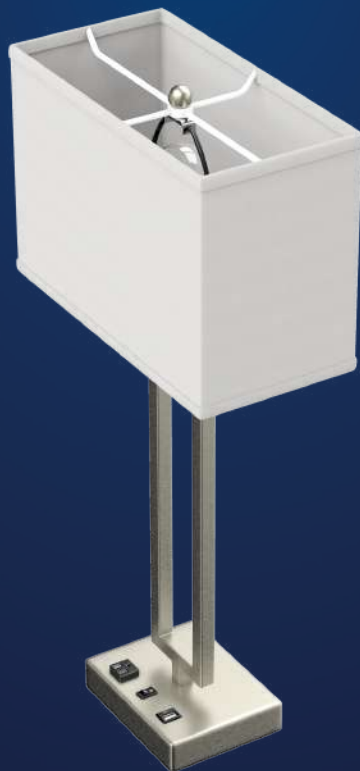




LED Table Lamp

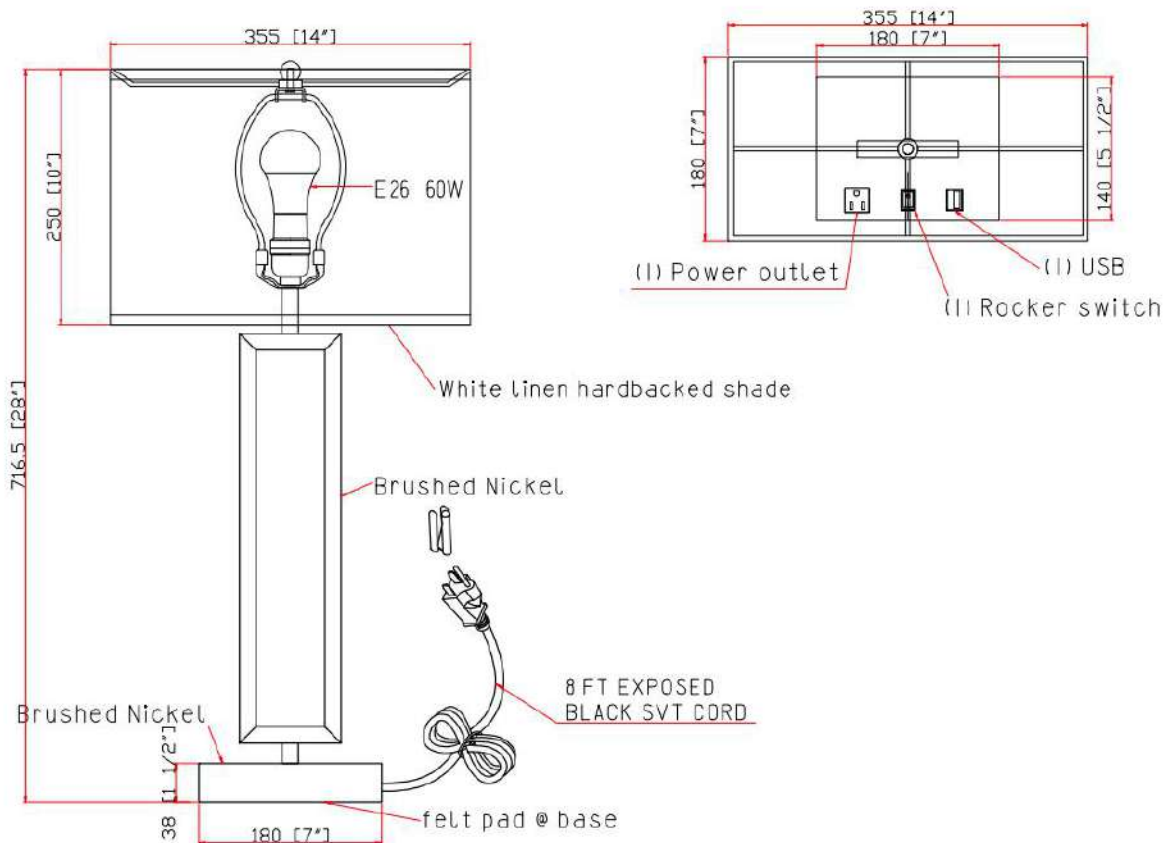


**LIGHT SPECIFICATIONS
INDOOR TABLE LAMP**

SPECIFICATIONS



•LAMP HOLDER	E26
•WATTS	<60W
•VOLTAGE	120V
•IP RATED	DRY LOCATION
•OPERATING TEMPRATURE	-15-40°C
•MATERIAL	FABRIC / IRON
•FINISH	BRUSHED NICKEL
•CONFIGURATION	1 USB, 1 SWITCH AND 1 OUTLET
•SHADE SHAPE	SQUARE
•SHADE MATERIAL	FABRIC
•SHADE COLOR	WHITE
•WARRANTY	3-YEAR LIMITED
•RECOMMENDED BULB	A19 EXCLUDED
•DIMMABLE	DEPENDS ON BULBS
N..W.:	3KGS
BADY PACKAGE:	63*23*19.5CM
SHADE PACKAGE	36.5*19*26.5CM



THE MEASUREMENTS ARE ROUNDED TO THE NEAREST 1/4"