

VIVOHOME

**THANK
YOU!**

NOTE:

To continuously improve its products, VIVOHOME reserves the right to modify this information without prior notification.

For any questions regarding assembly, please watch the video on the product page or contact our customer service. Our customer service will gladly assist you with any additional questions, comments, or concerns.

Thank you for using VIVOHOME products in your home!

Thank You for Purchasing from

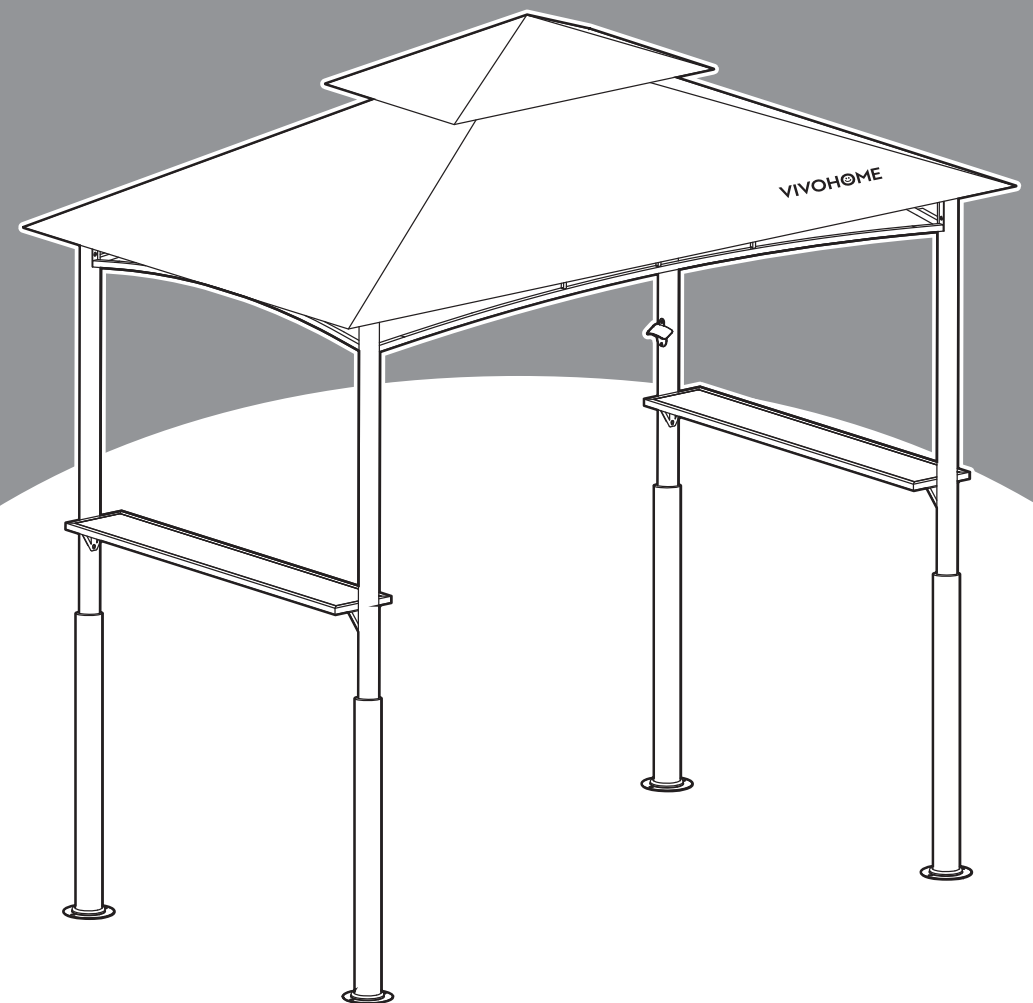
VIVOHOME

Made in China

VIVOHOME

HOW-TO

USER MANUAL



Grill Gazebo Canopy

Assembly is EASY!

**WE WANT
YOU TO
ENJOY LIFE
AT HOME**

GO TO THE PRODUCT LISTING PAGE
FOR AN INSTRUCTIONAL VIDEO!

 **Warning**

1. Be cautious of fire! Do not leave open flames unattended!
2. Ensure all supports are secured during use to prevent the canopy from collapsing or becoming loose.
3. Do not use the canopy without supervision and regularly check if all parts are firmly fixed.

 **Avertissement**

1. Attention au feu! Ne laissez pas de flammes ouvertes sans surveillance!
2. Veillez à ce que tous les supports soient bien fixés lors de l'utilisation pour éviter l'effondrement ou le relâchement du chapiteau.
3. Ne laissez pas le chapiteau sans surveillance et vérifiez régulièrement si toutes les pièces sont solidement fixées.

 **Warnung**

1. Achten Sie auf Feuer! Lassen Sie offene Flammen nicht unbeaufsichtigt!
2. Stellen Sie sicher, dass alle Stützen während der Benutzung gesichert sind, um ein Zusammenbrechen oder Lösen des Zeltes zu verhindern.
3. Verwenden Sie das Zelt nicht unbeaufsichtigt und überprüfen Sie regelmäßig, ob alle Teile fest sitzen.

⚠ Avviso

1. Attenzione al fuoco! Non lasciare fiamme libere incustodite!
2. Assicurarsi che tutti i supporti siano ben fissati durante l'uso per evitare il collasso o l'allentamento del gazebo.
3. Non utilizzare il gazebo senza supervisione e controllare regolarmente che tutte le parti siano saldamente fissate.

⚠ Advertencia

1. ¡Precaución con el fuego! No deje llamas abiertas desatendidas.
2. Asegúrese de que todos los soportes estén bien asegurados durante el uso para evitar que el toldo colapse o se afloje.
3. No utilice el toldo sin supervisión y verifique regularmente que todas las partes estén firmemente fijadas.

⚠ Waarschuwing

1. Let op brandgevaar! Laat open vuur niet onbeheerd achter!
2. Zorg ervoor dat alle steunen tijdens gebruik goed vastzitten om instorting of losraken van de luifel te voorkomen.
3. Gebruik de luifel niet zonder toezicht en controleer regelmatig of alle onderdelen stevig vastzitten.

CONTENTS

Parts List and Diagram	4
Explosive View	7
Assembly Steps	8
Warranty	18

Parts List and Diagram



Item No.	Reference Image	Qty.	Item No.	Reference Image	Qty.
A		x3	A2	 *此处连接H1	x1
A3		x4	B		x2
A1		x2	B2		x2
C		x4	C1		x4
D		x1	E		x1




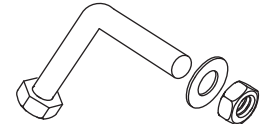


Parts List and Diagram



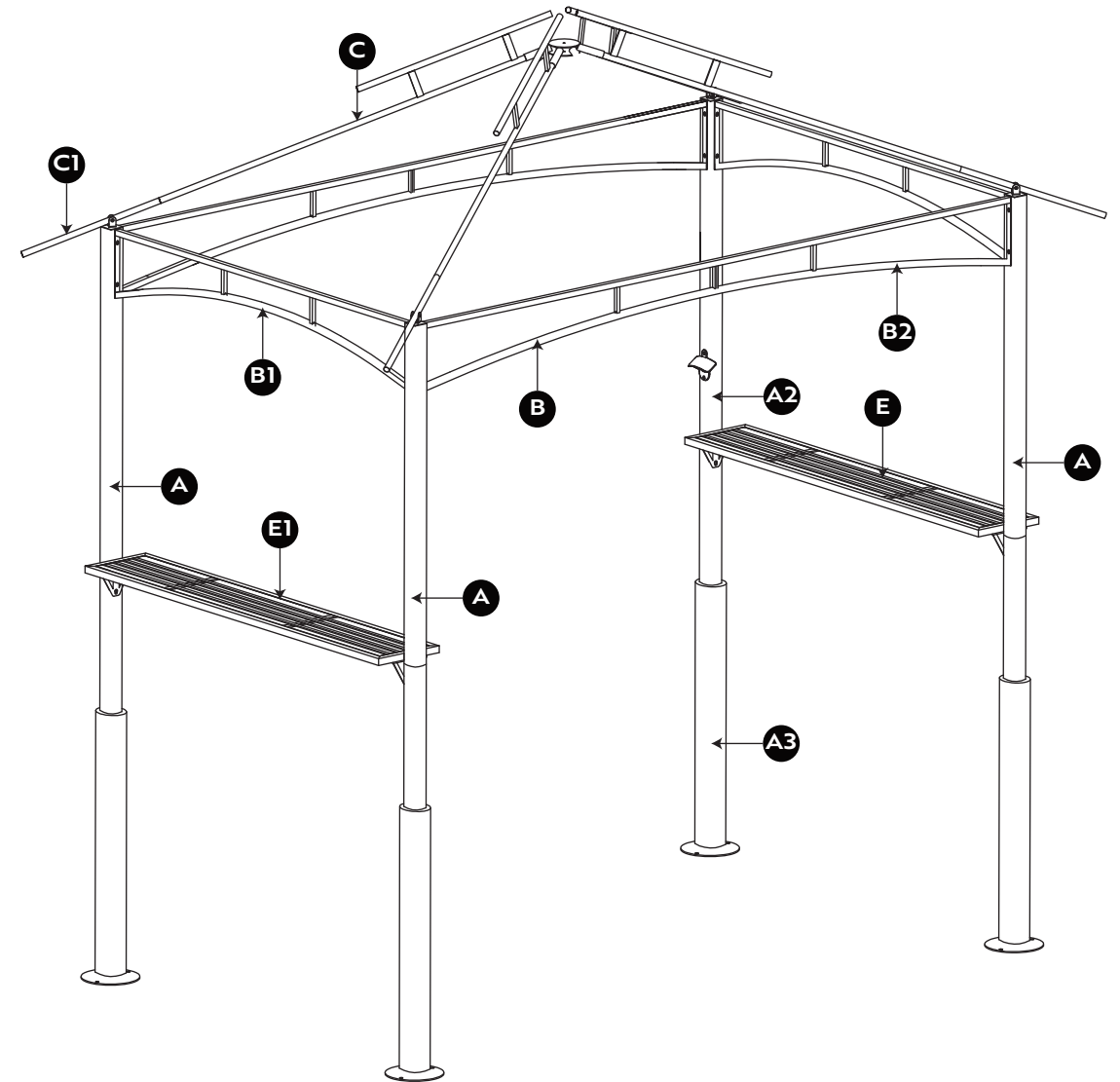
Item No.	Reference Image	Qty.	Item No.	Reference Image	Qty.
E1		x1	F		x4
G1		x2	H		x4
H1		x1	J		x1
J1		x1	K		x9
M		x8	N		x2

Parts List and Diagram



Item No.	Reference Image	Qty.	Item No.	Reference Image	Qty.
1	 M6*16	x12	2	 M6*30	x4
3	 M6*50	x10	4	 M6*50	x8
5	 M6*16	x2	6	 M6*20	x4

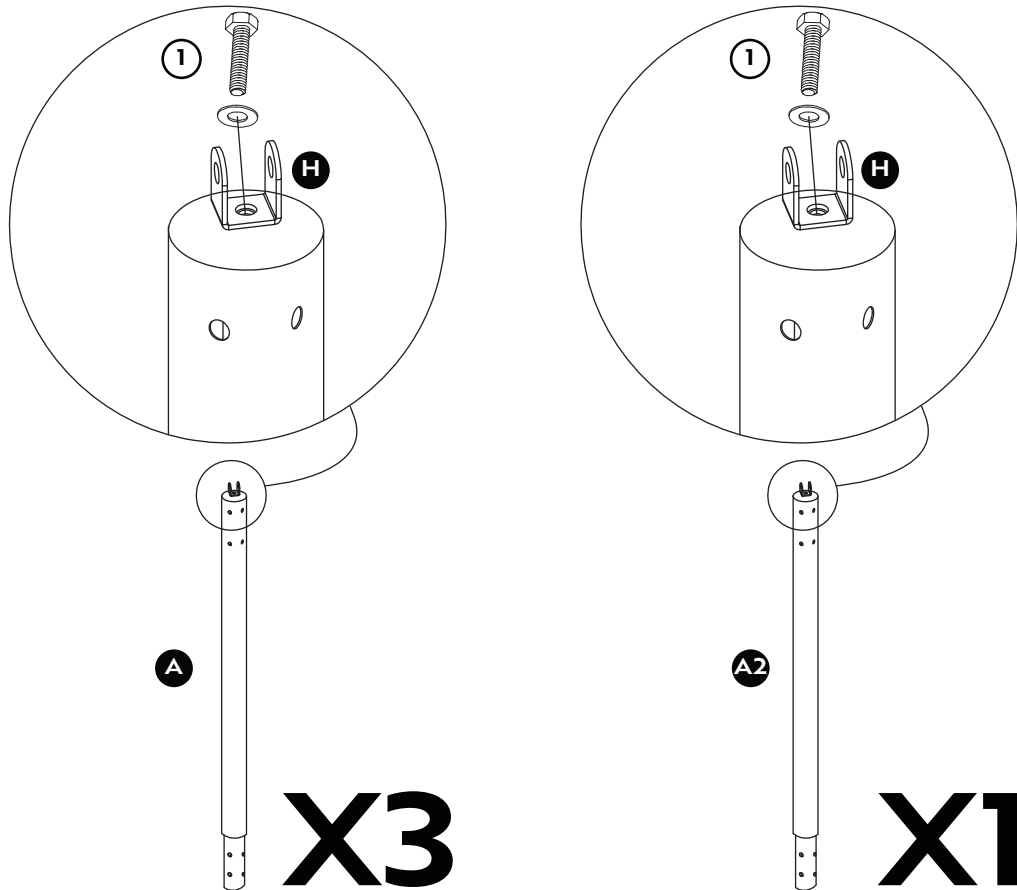
Explosive View





STEP 1

A x 3 pcs. **A2** x 1 pc. **H** x 4 pcs. **1** x 4 pcs.

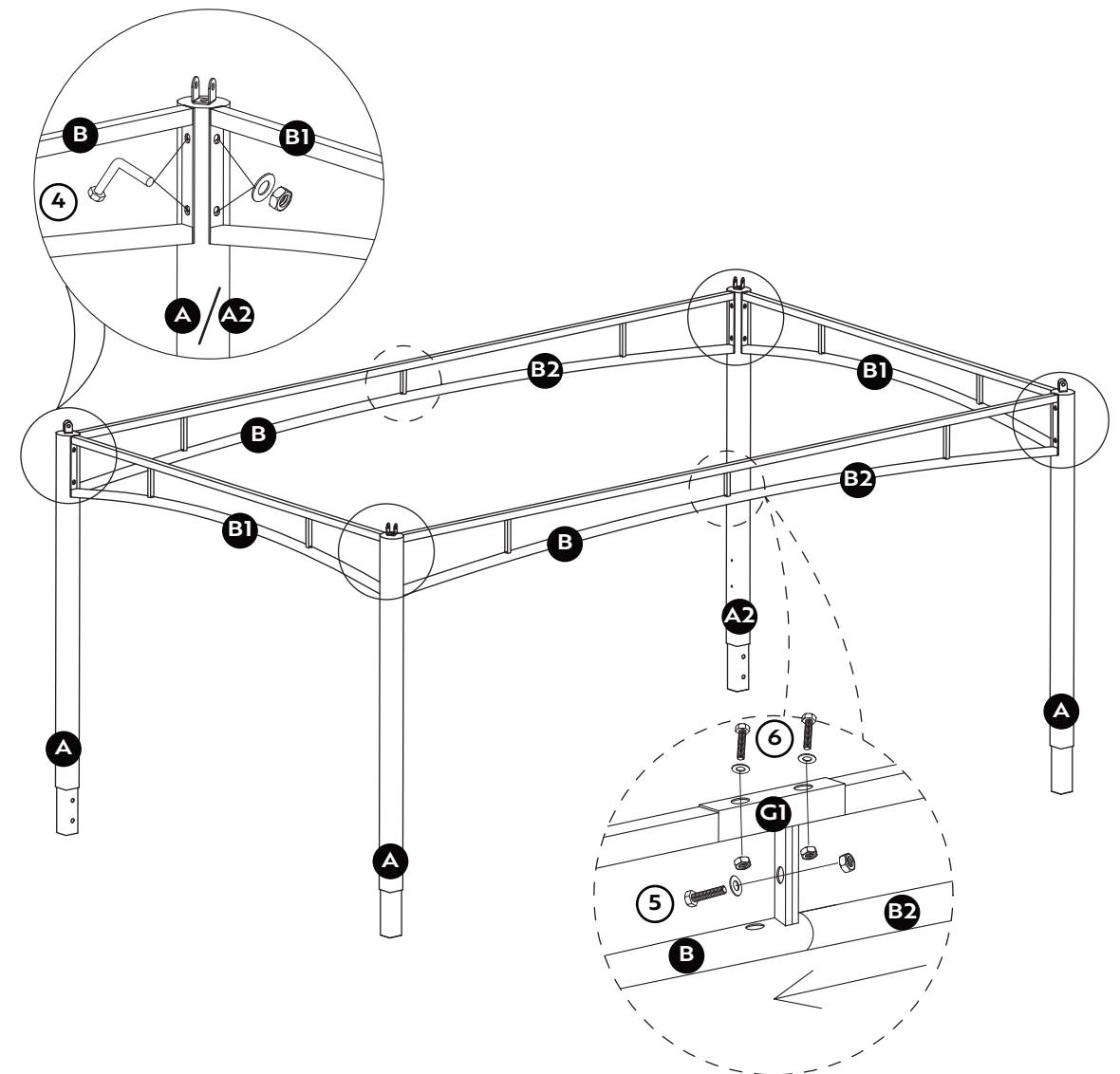


STEP 2

B x 2 pcs. **B1** x 2 pcs. **B2** x 2 pcs. **G1** x 2 pcs.

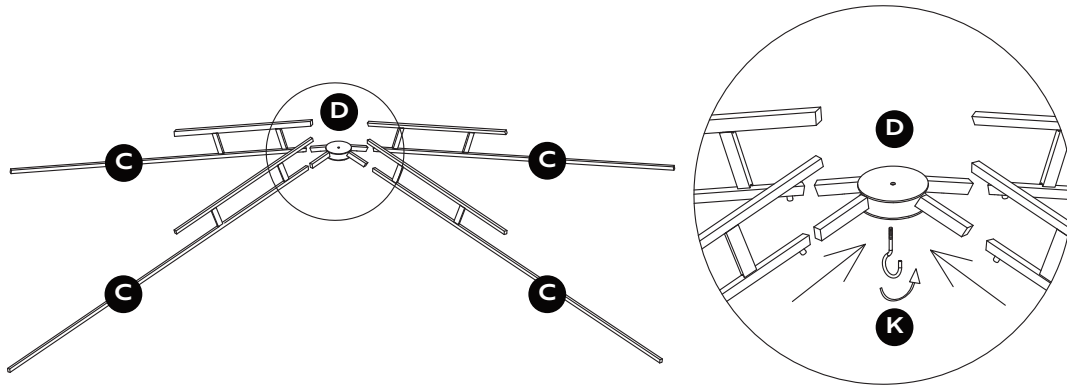
4 x 8 pcs. **5** x 2 pcs. **6** x 4 pcs.

Please note that A is located diagonally.

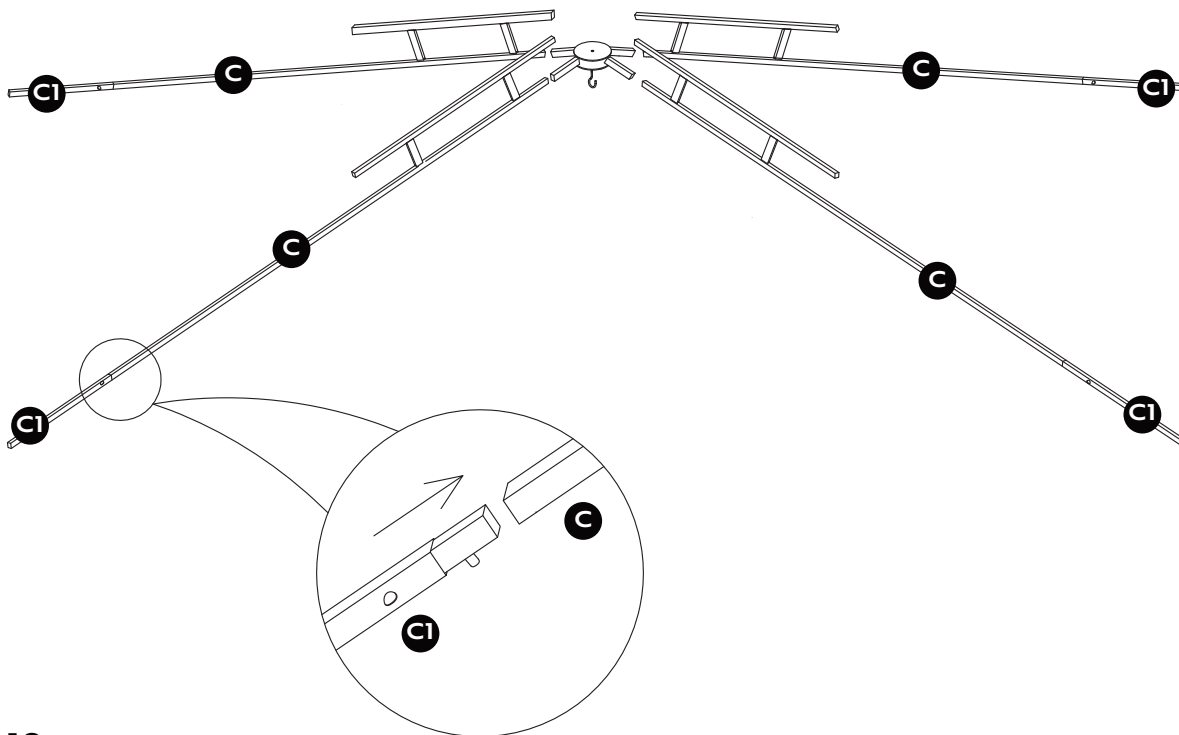




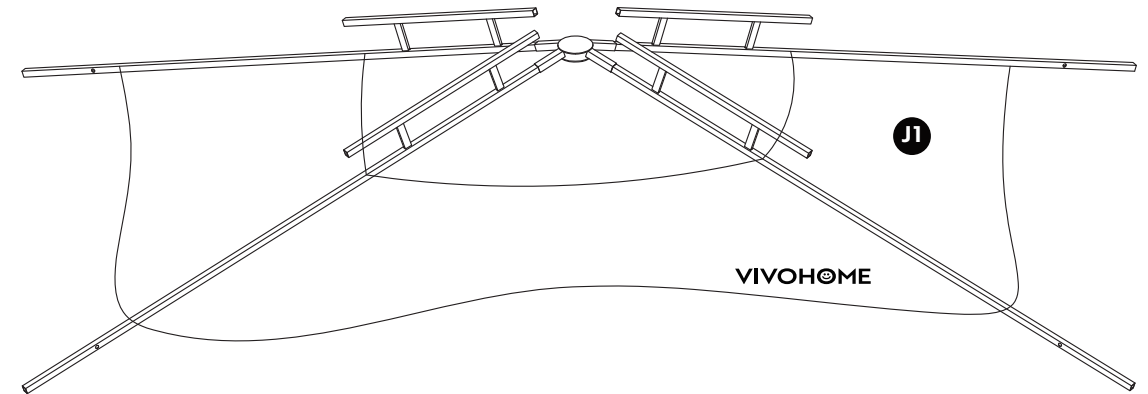
STEP 3 C x 4 pcs. D x 1 pc. K x 1 pc.



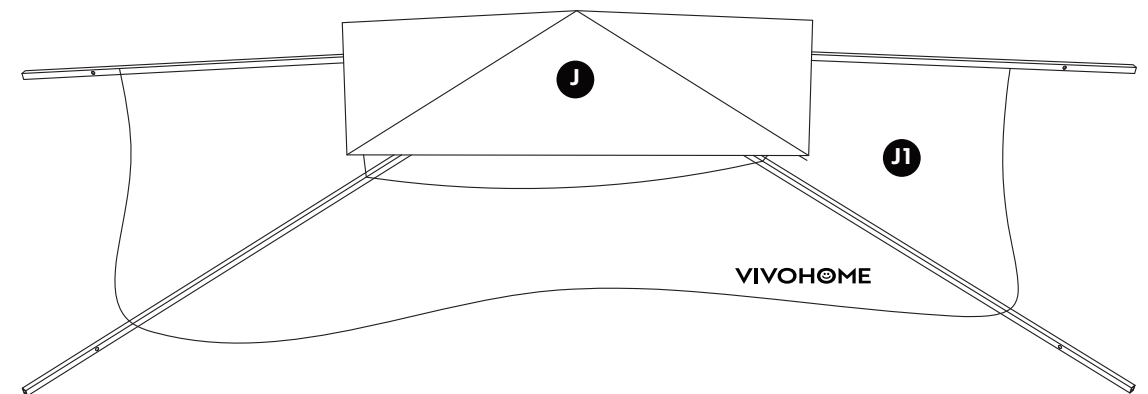
STEP 4 CI x 4 pcs.

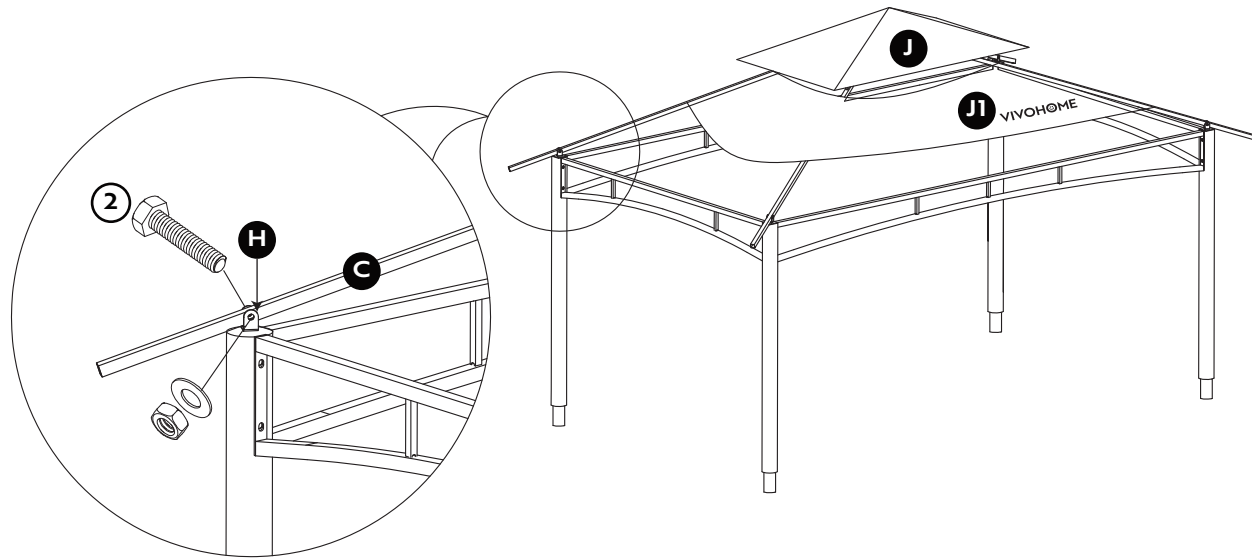
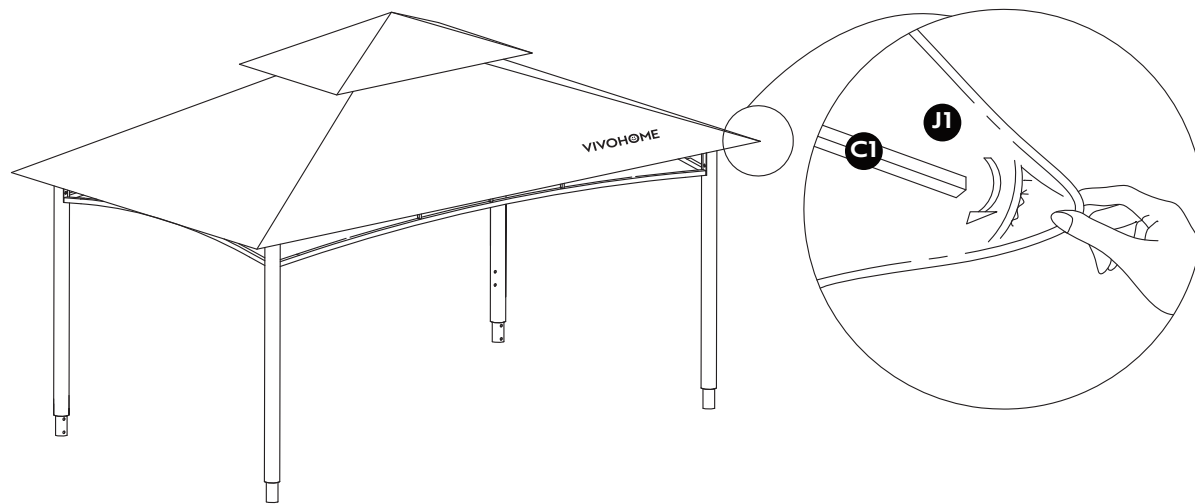


STEP 5 JI x 1 pc.

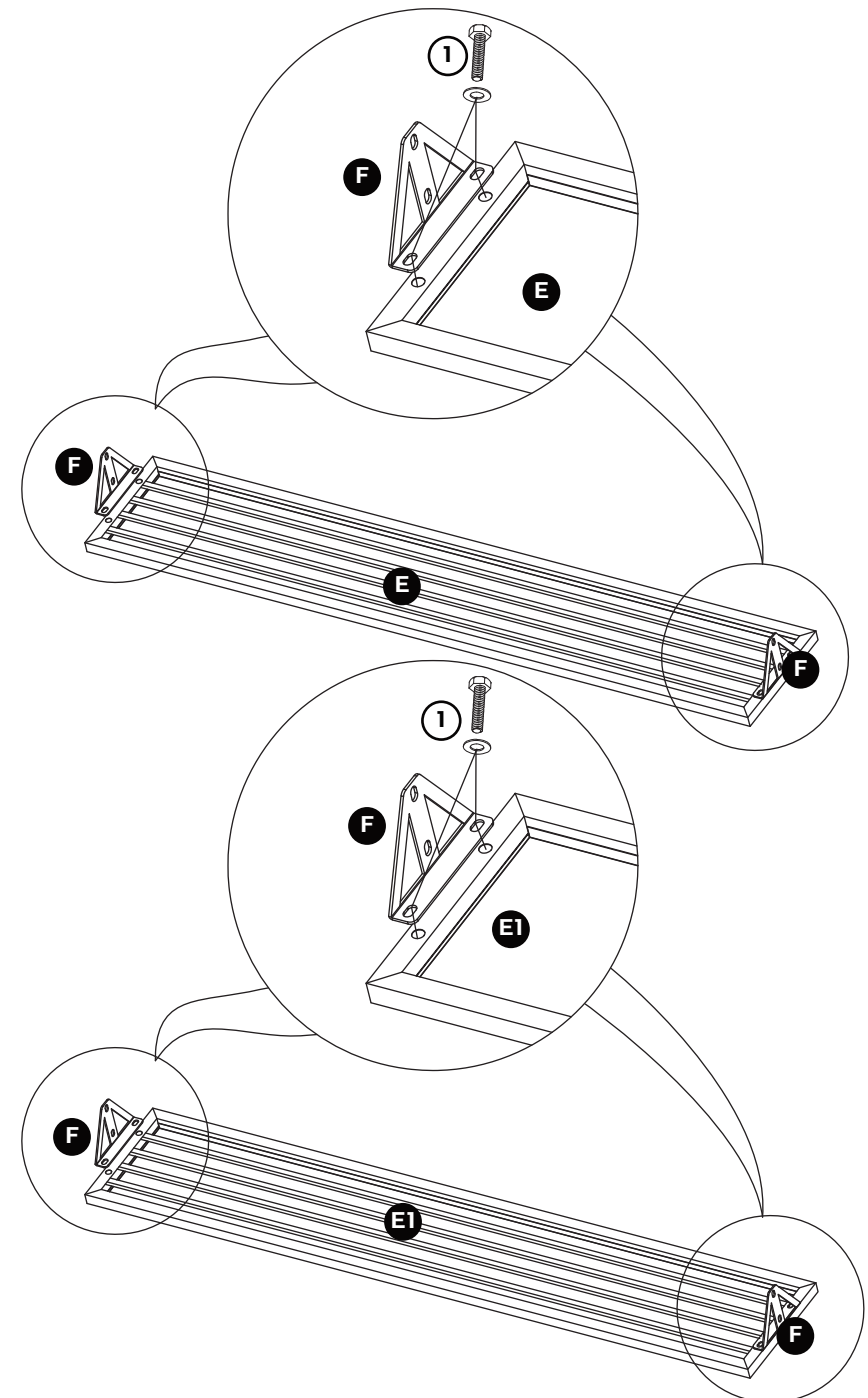


STEP 6 J x 1 pc.



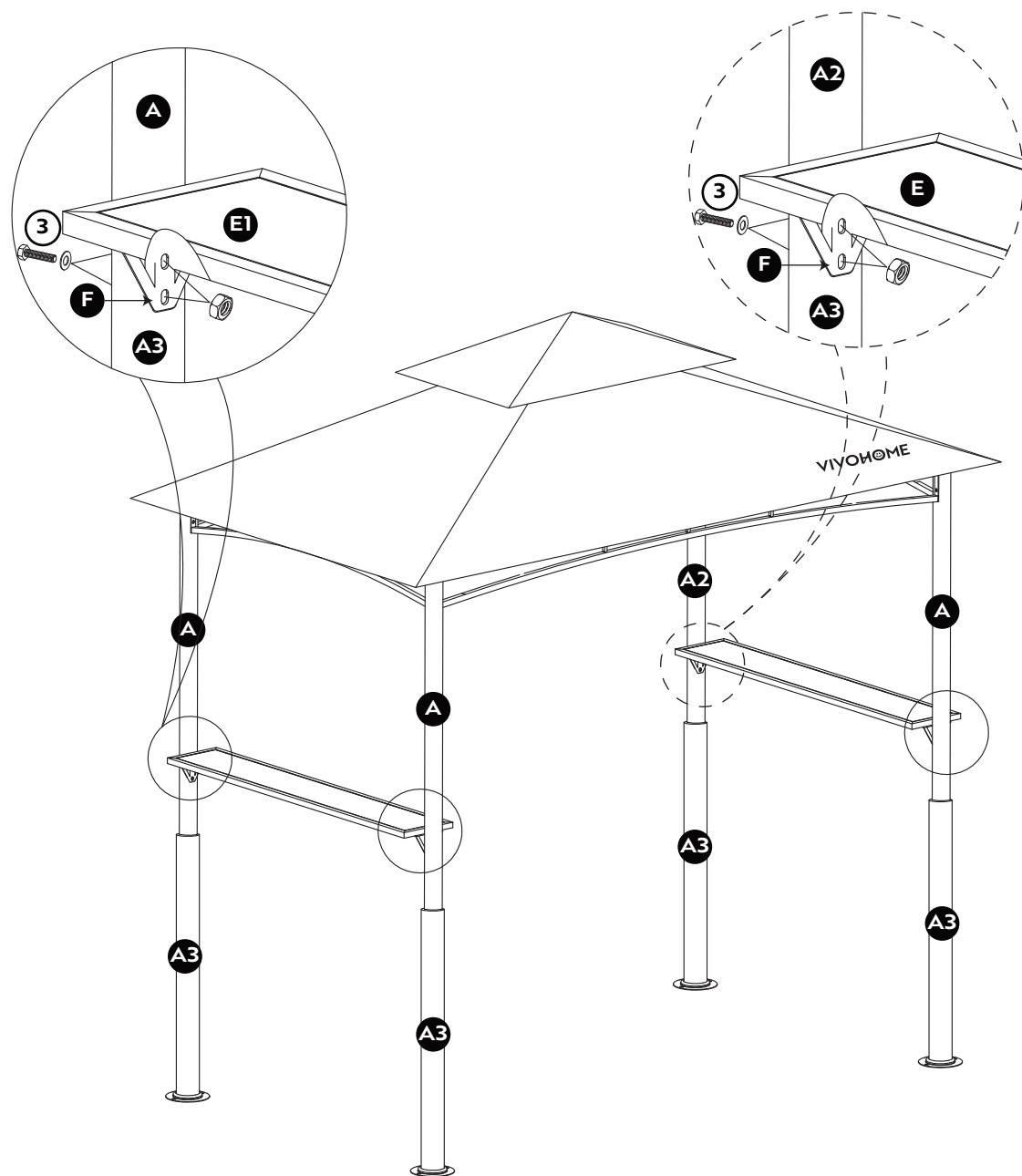

STEP 7 ② x 4 pcs.

STEP 8

STEP 9 ⑤ x 1 pc. ⑤I x 1 pc. ⑥ x 4 pcs. ① x 8 pcs.

Please note that F is installed on the back of E/EI.

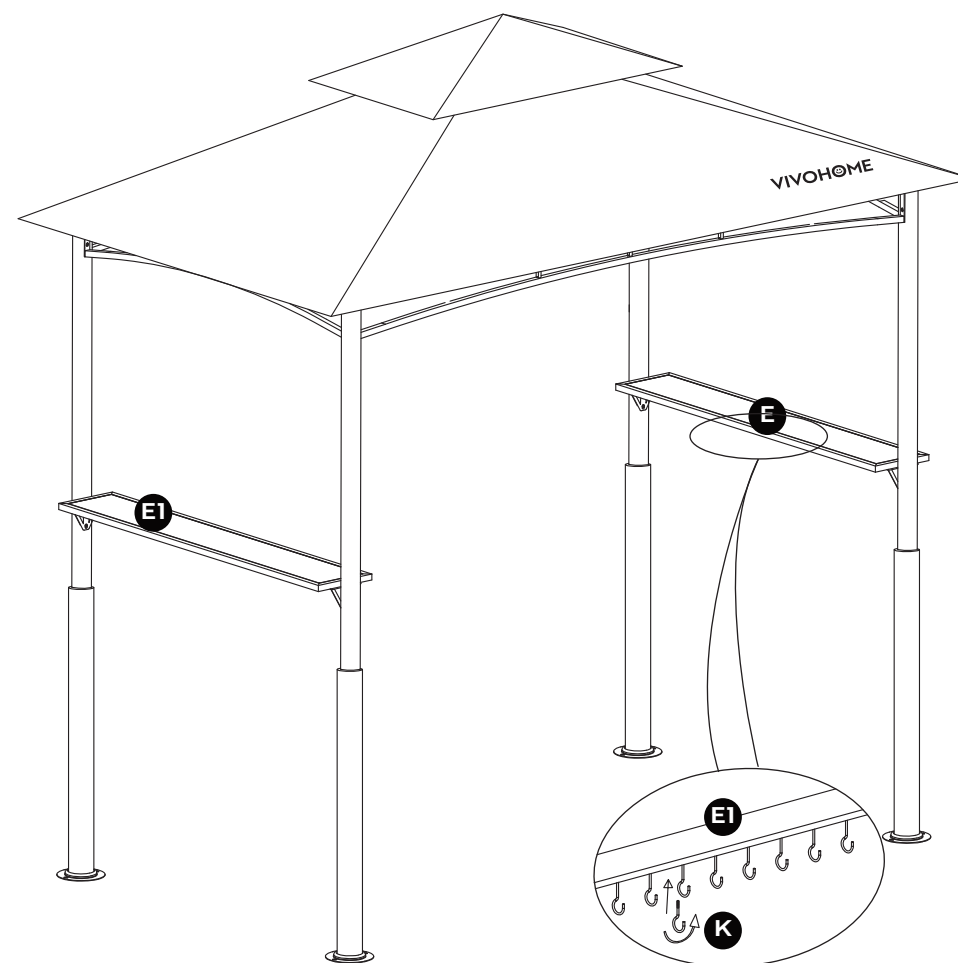




STEP 11 A3 x 4 pcs. 3 x 8 pcs.



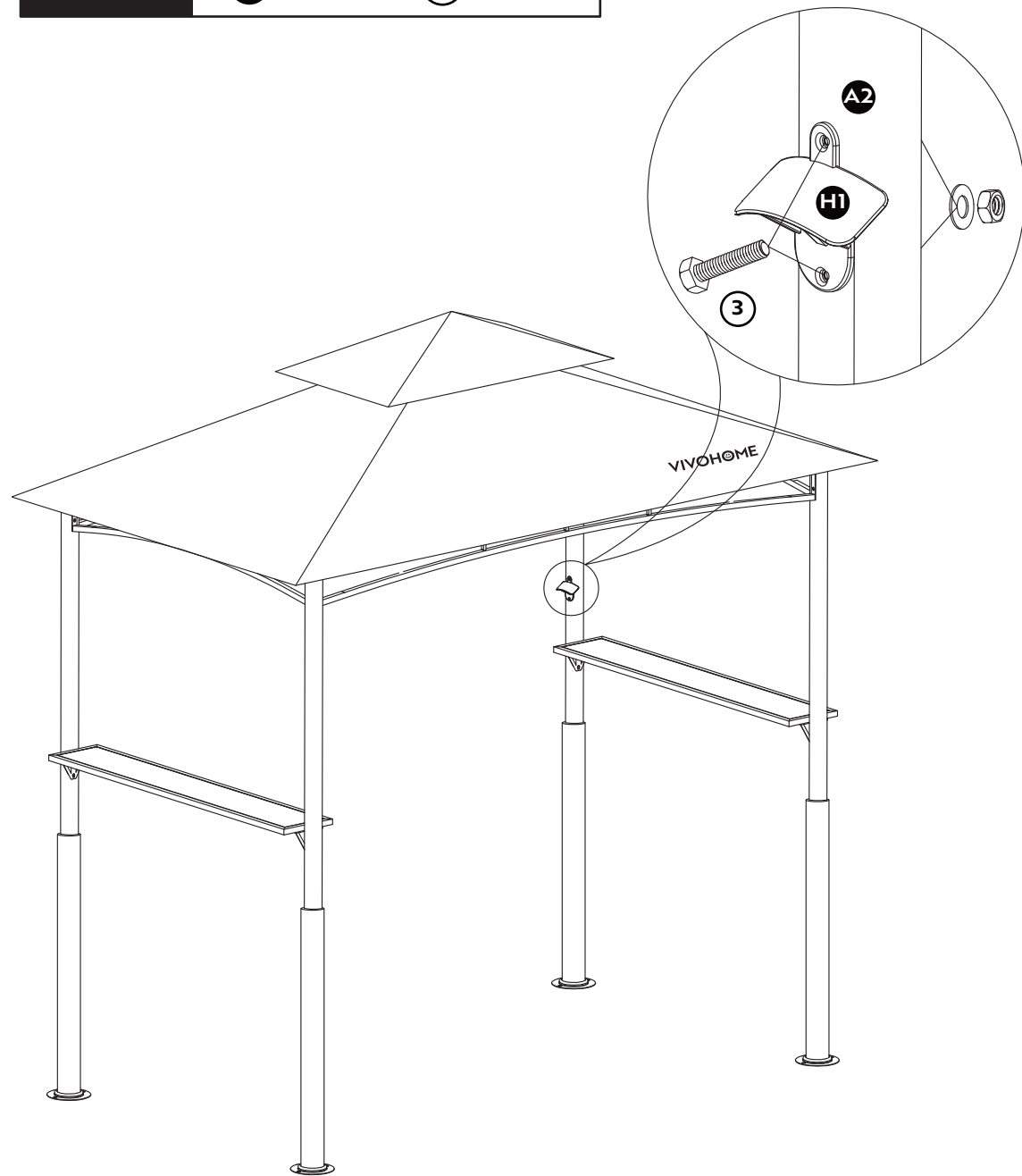
STEP 12 K x 8 pcs.



Assembly Steps



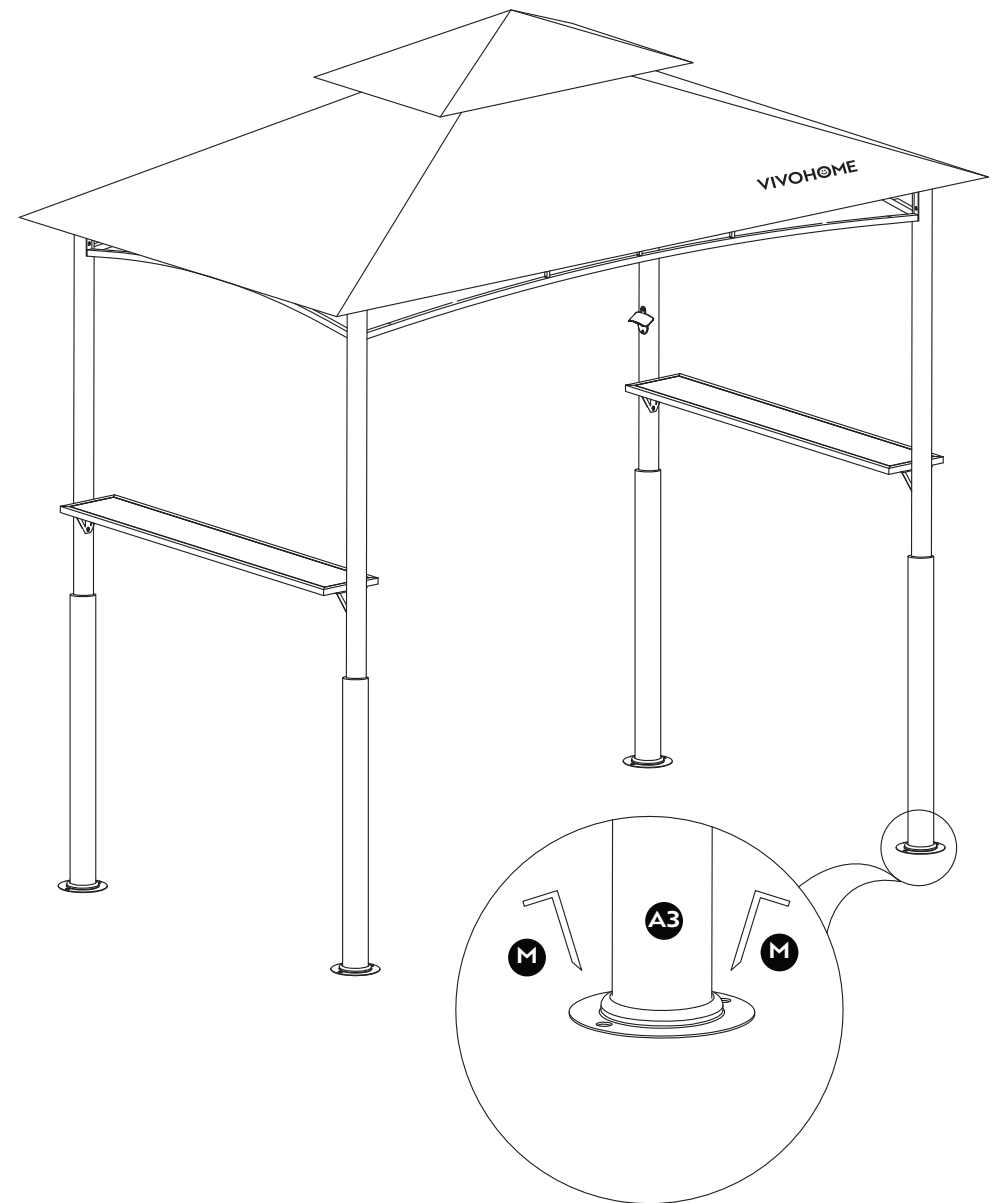
STEP 13 H1 x 1 pc. 3 x 2 pcs.



Assembly Steps



STEP 14 M x 8 pcs.





The VIVOHOME warranty program is our commitment to you. We are committed to providing you with a high-quality product that meets your needs and expectations. To demonstrate our confidence in the durability and performance of our products, we offer the following warranty.

WARRANTY COVERAGE

This warranty applies to all orders, purchases, or use of products sold only by VIVOHOME and is valid for 1 year from the purchase date. Please note, this warranty only covers the original order. If a replacement is provided within the warranty period, it does not extend the warranty.

WARRANTY EXCLUSIONS

This warranty does not cover damages caused by misuse, accidents, unauthorized modifications, or any factors unrelated to product manufacturing and design, including but not limited to:

- Loss of parts during use.
- Normal wear and tear of products or parts.
- Incorrect installation (e.g., using the wrong voltage) or improper assembly.
- Overloading the product's bearing capacity.
- Usage in extremely harsh conditions.
- Improper cleaning or lack of maintenance.
- Damage resulting from unintended use of the product.
- Damage resulting from unauthorized modifications or service.
- Indirect losses or damages related to the product.



HOW TO MAKE A WARRANTY CLAIM

If you encounter any defects affecting the product's functionality or if the product fails and cannot be repaired during the warranty period, please reach out to our customer service team via email, Amazon, or our app's messaging service at your earliest convenience. To expedite your claim, kindly include:

- Order number
- Photos and/or videos illustrating the issue
- A detailed description of the problem

VIVOHOME will provide technical support, replacement, refund, or other solutions based on the issue's specifics. If you wish to return the original package for any reason, please contact us for confirmation before initiating the return. You can expect a response within 48 hours.

Thank you for choosing VIVOHOME. We are dedicated to ensuring your satisfaction and the quality of your purchase. If you have any questions or need further assistance, please don't hesitate to reach out to our customer service team.