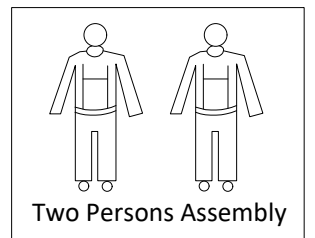
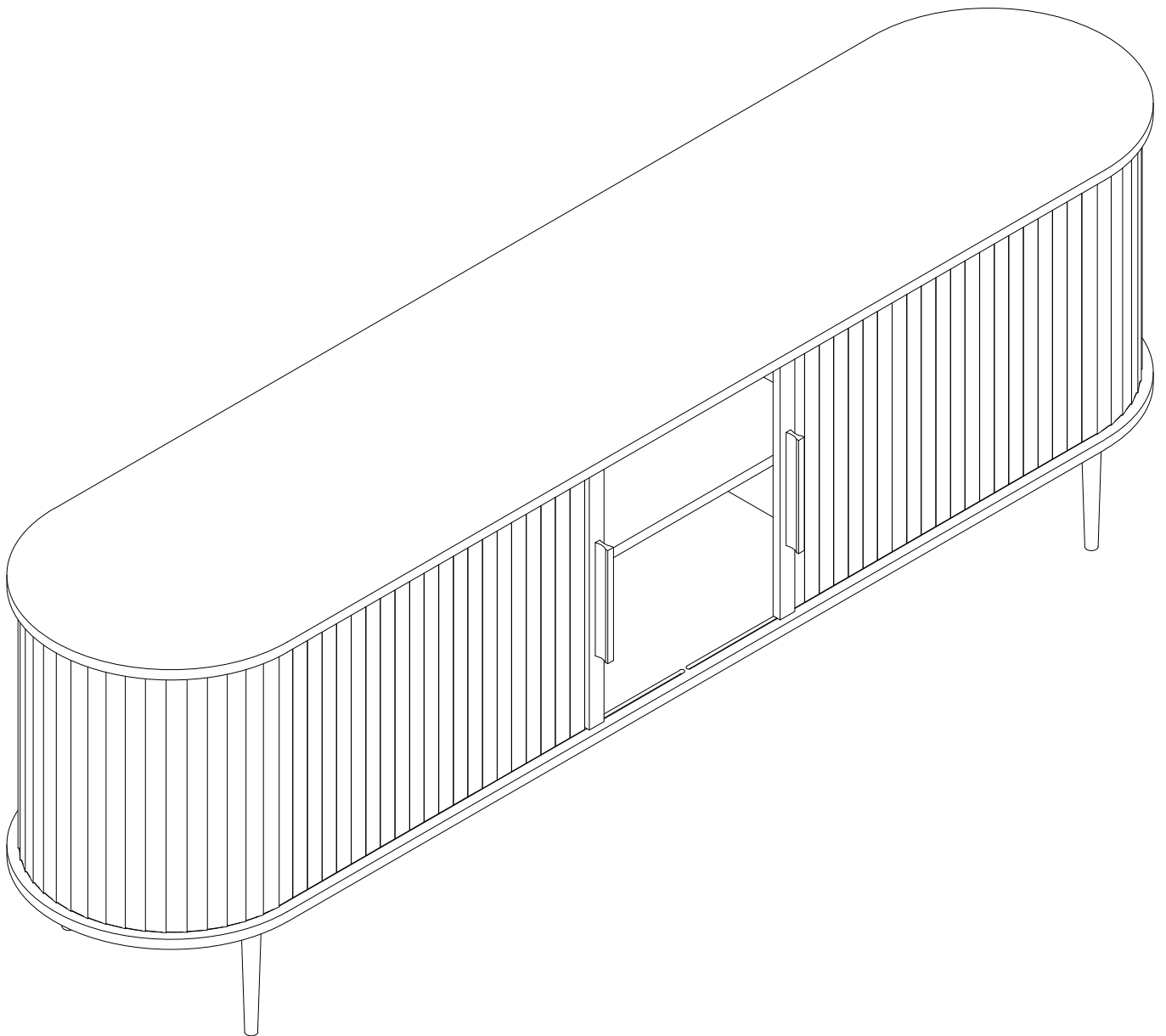
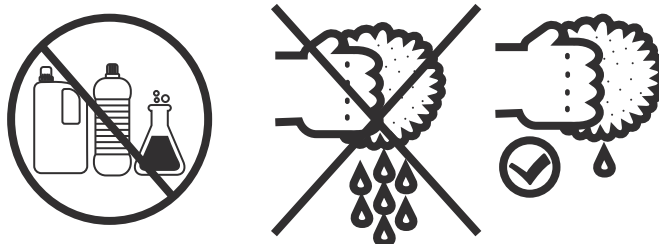
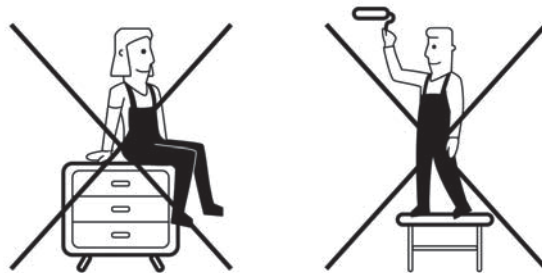
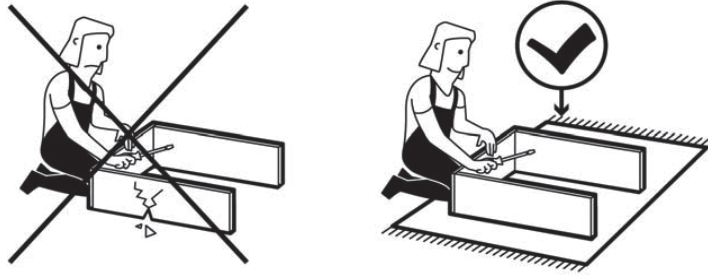
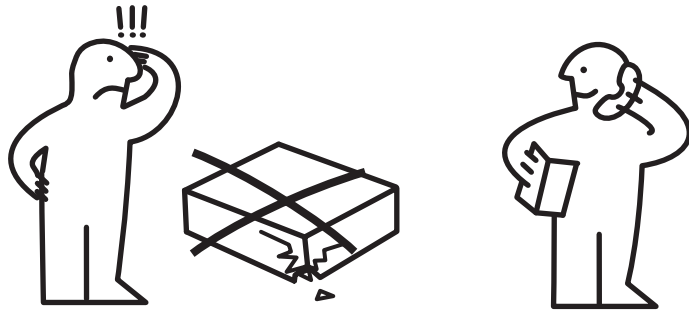
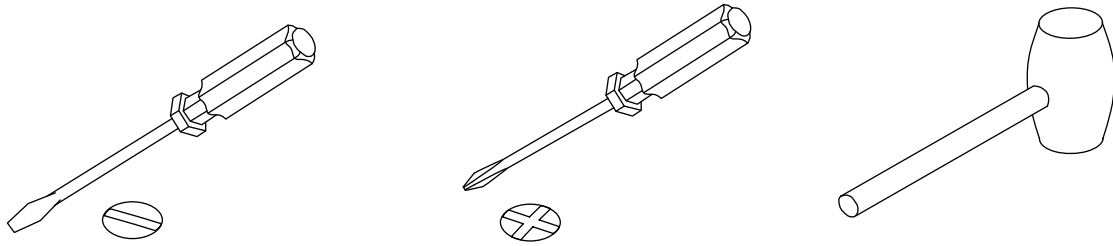


ASSEMBLY INSTRUCTIONS



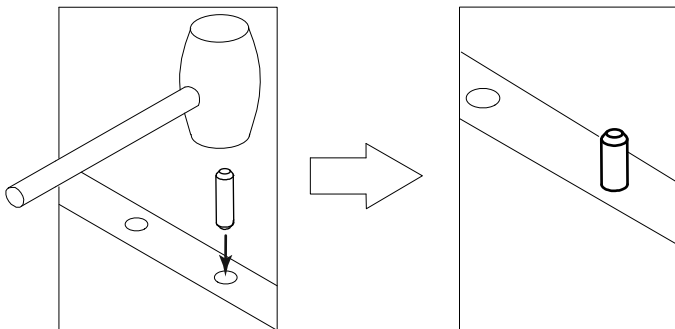


ASSEMBLY TOOLS REQUIRED (NOT INCLUDED)



- * Before discarding packing materials, please check all parts and hardware are presented.
- * Please follow the instructions closely.
- * After few days of initial assembly, the product may has acclimated to new environment, please tighten all hardware again.

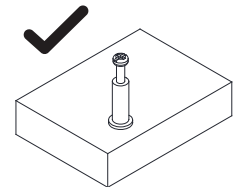
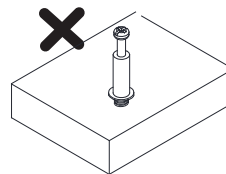
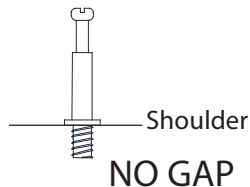
Dowel Installation



Gently tap dowel into hole with rubber mallet.

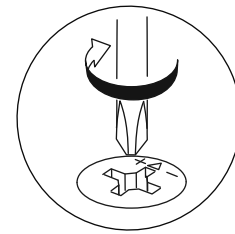
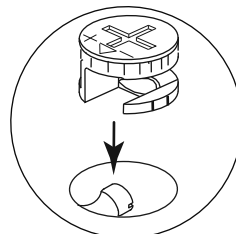
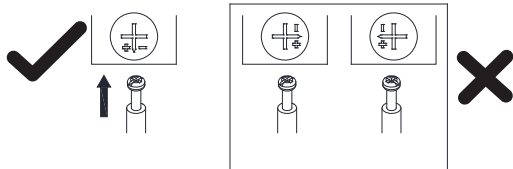
CAM-LOCK

Tighten until shoulder is flush with panel. Do not overtighten or undertighten

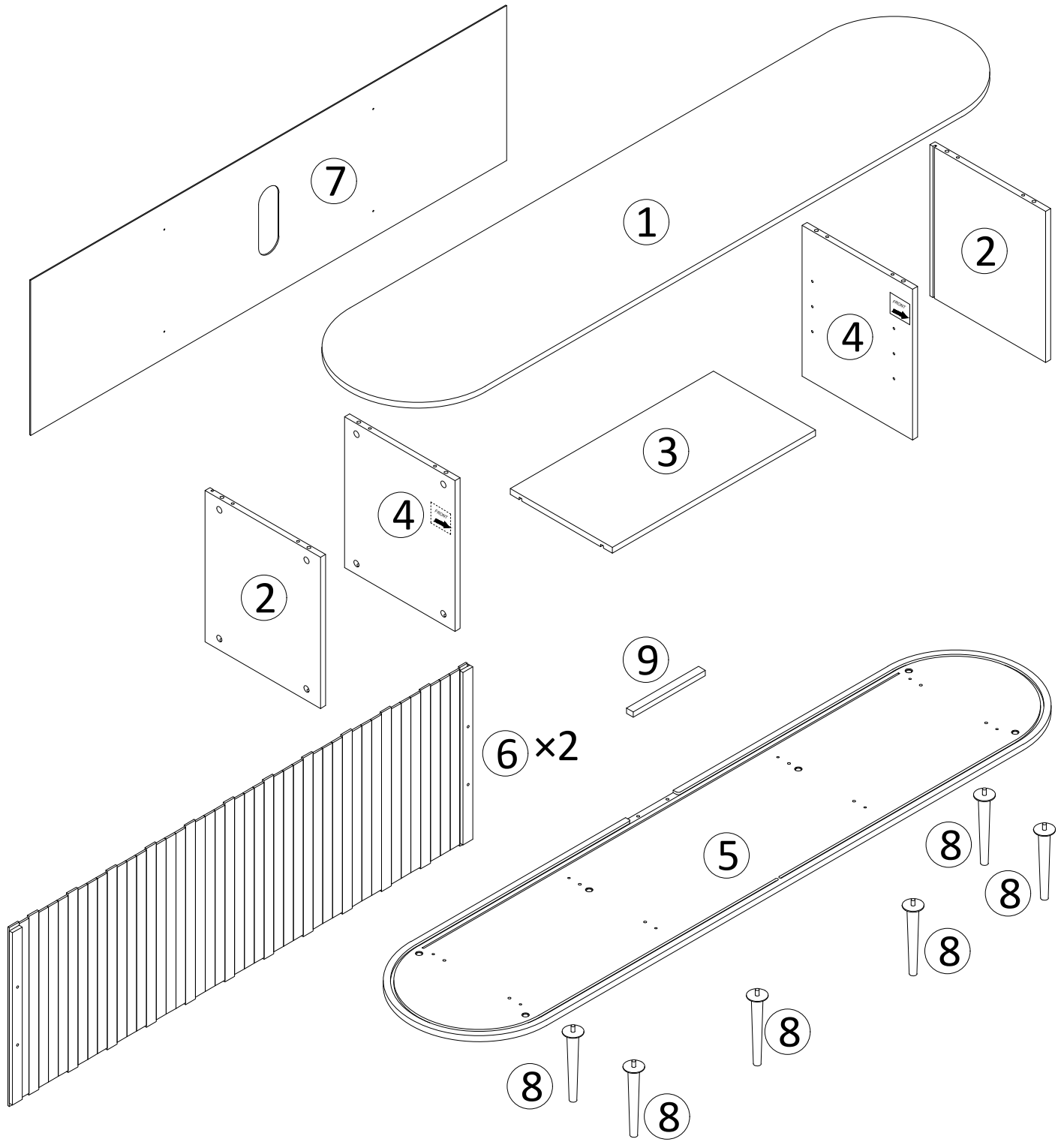


WHEN FITTING CAMS

ENSURE STARTING POSITION IS CORRECT BEFORE YOU INSERT CONNECTING CAM-PILLAR
TURN CLOCKWISE UNTIL SECURE



Laying out all the parts and hardware and identifying each part as shown below. It may help you when you assemble the item.



① × 1

② × 2

③ × 1

④ × 2


⑤ × 1


⑥ × 2


⑦ × 1


⑧ × 6


⑨ × 1

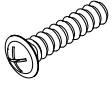
A	x16+1(Spare)
	
φ6×27mm	


B	x16+1(Spare)
	
φ15×9.5mm	

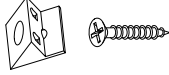
C	x16+1(Spare)
	
φ6×30mm	


D	x4+1(Spare)
	
FA3×12mm	


F	x4+1(Spare)
	
M5×14mm	

G	x4+1(Spare)
	
M4×12mm	

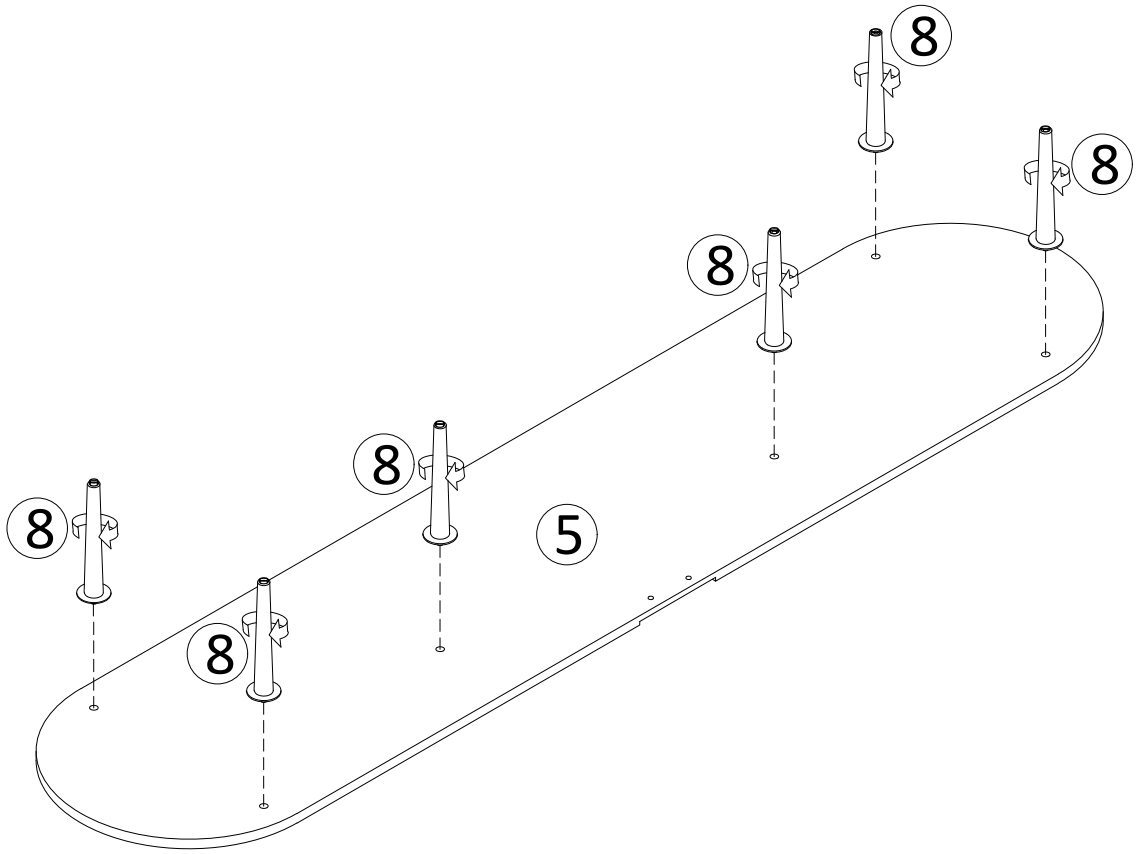
H	x2
	
11.5cmH	

I	x6+1(Spare)
	
FA3×16mm	

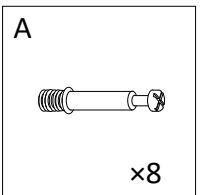
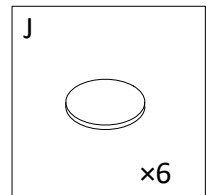
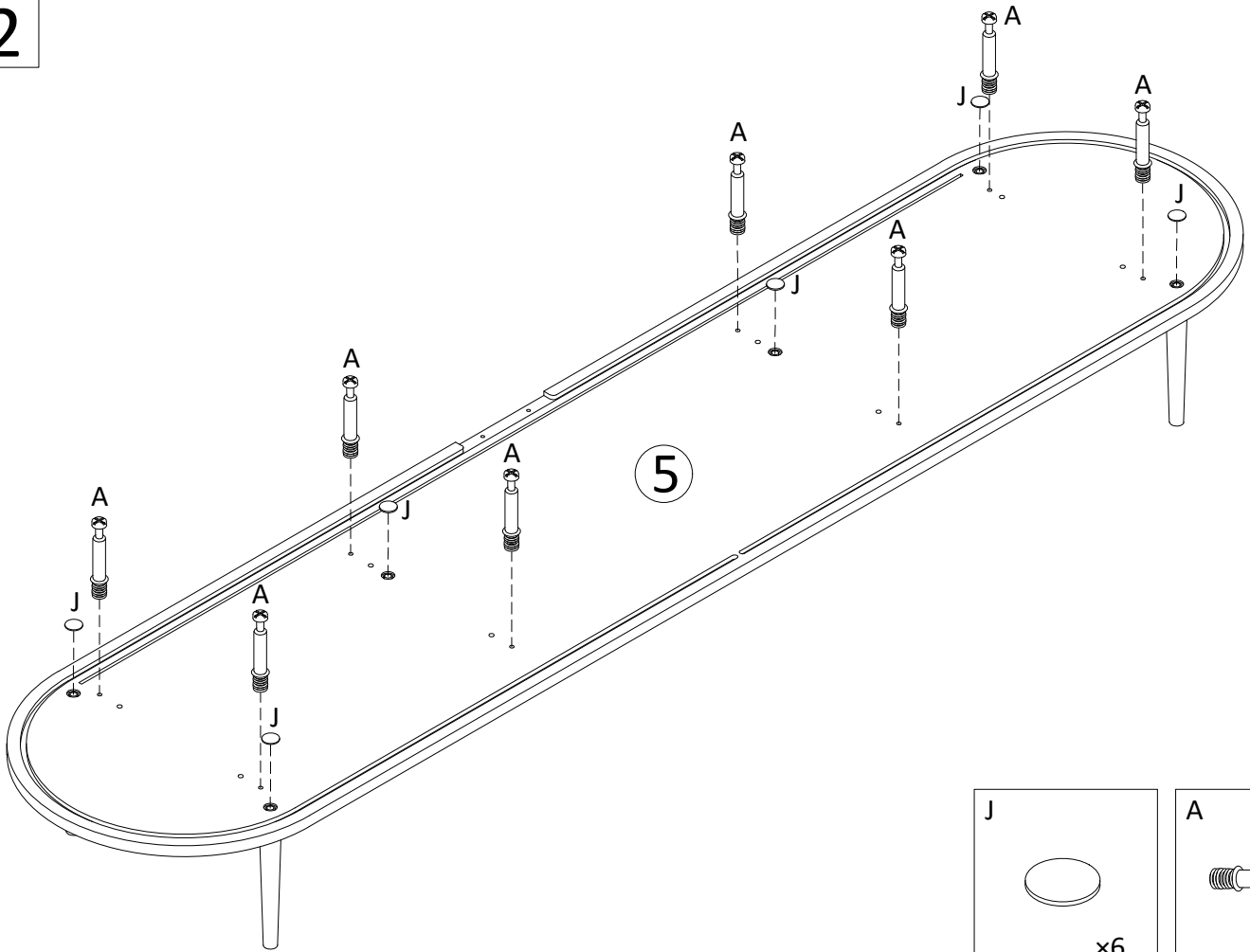
J	x10
	
φ21 Sticker	

K	x2+1(Spare)
	
FA4×16mm	

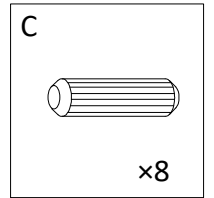
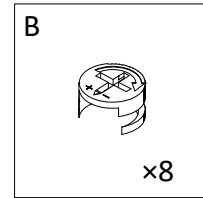
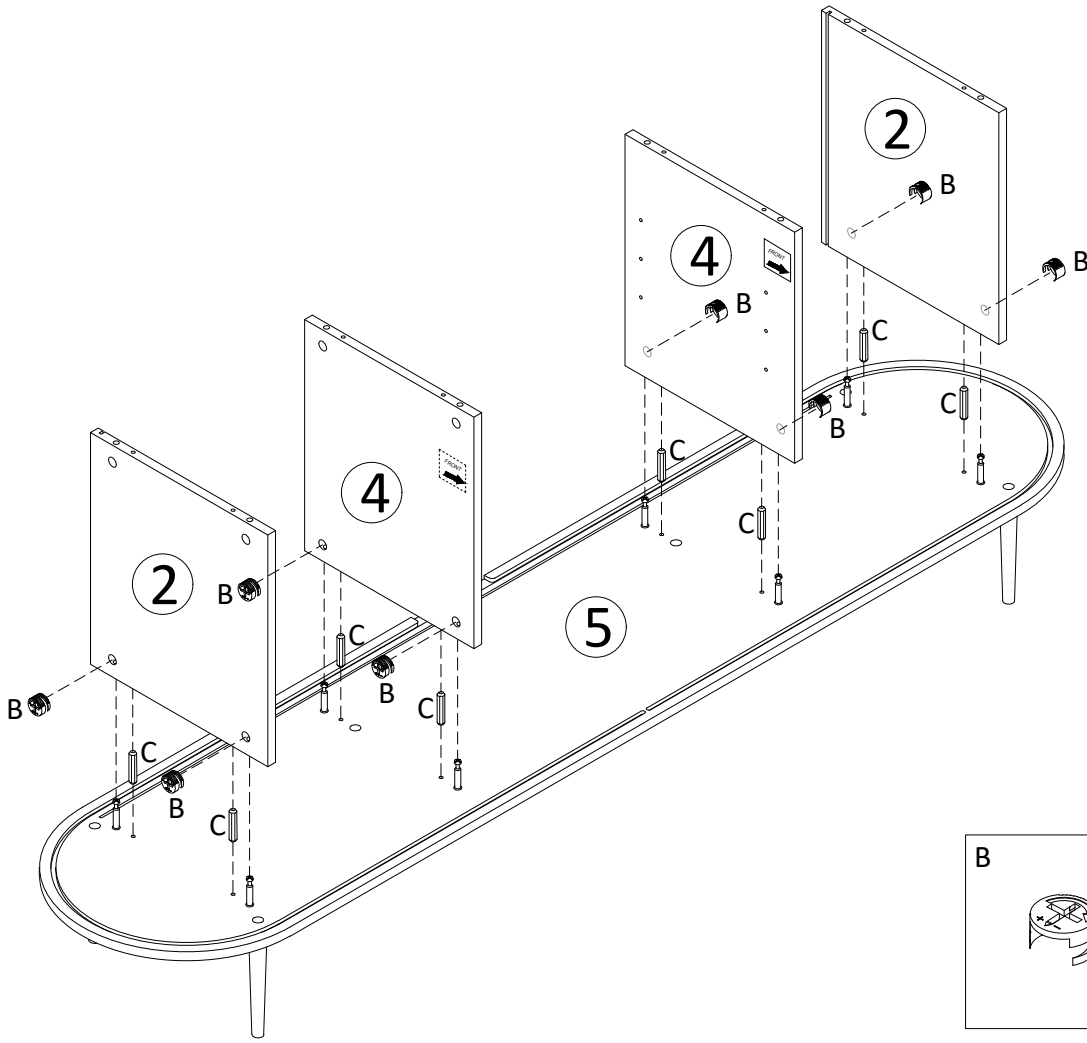
1



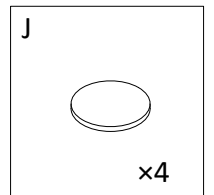
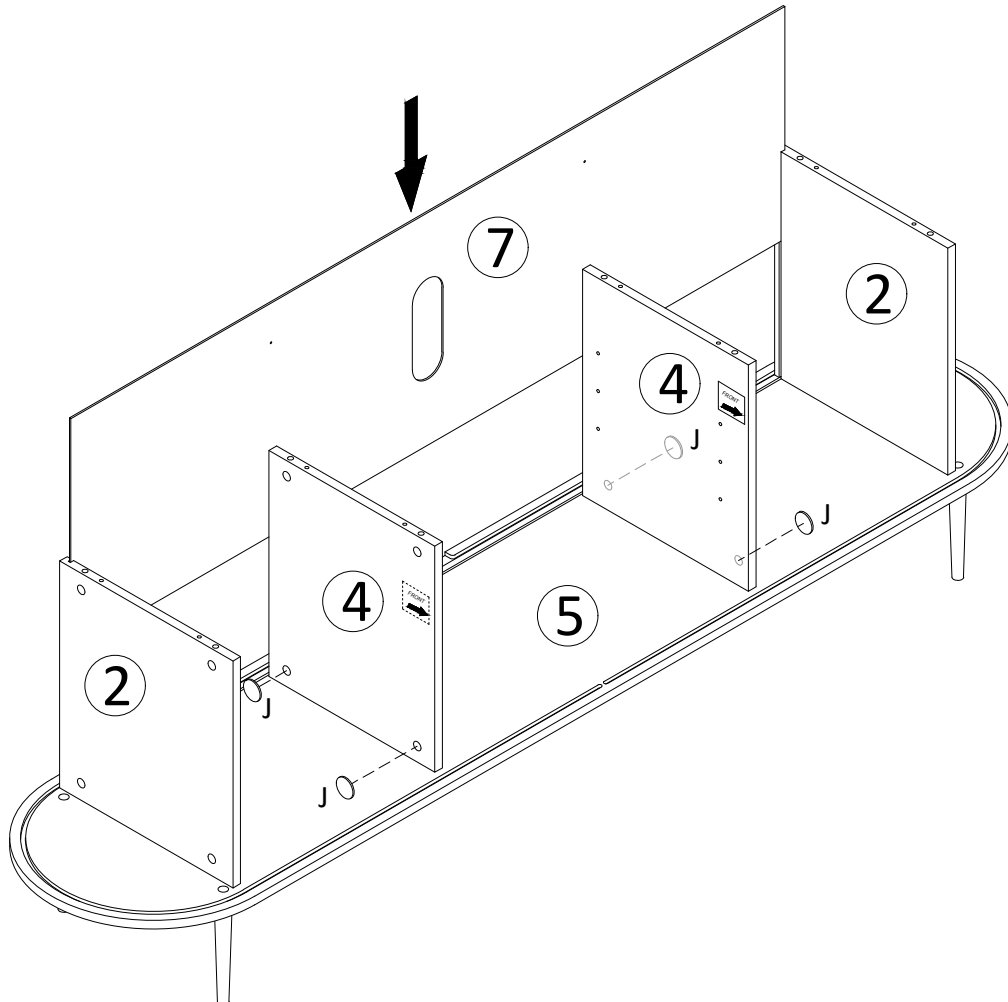
2



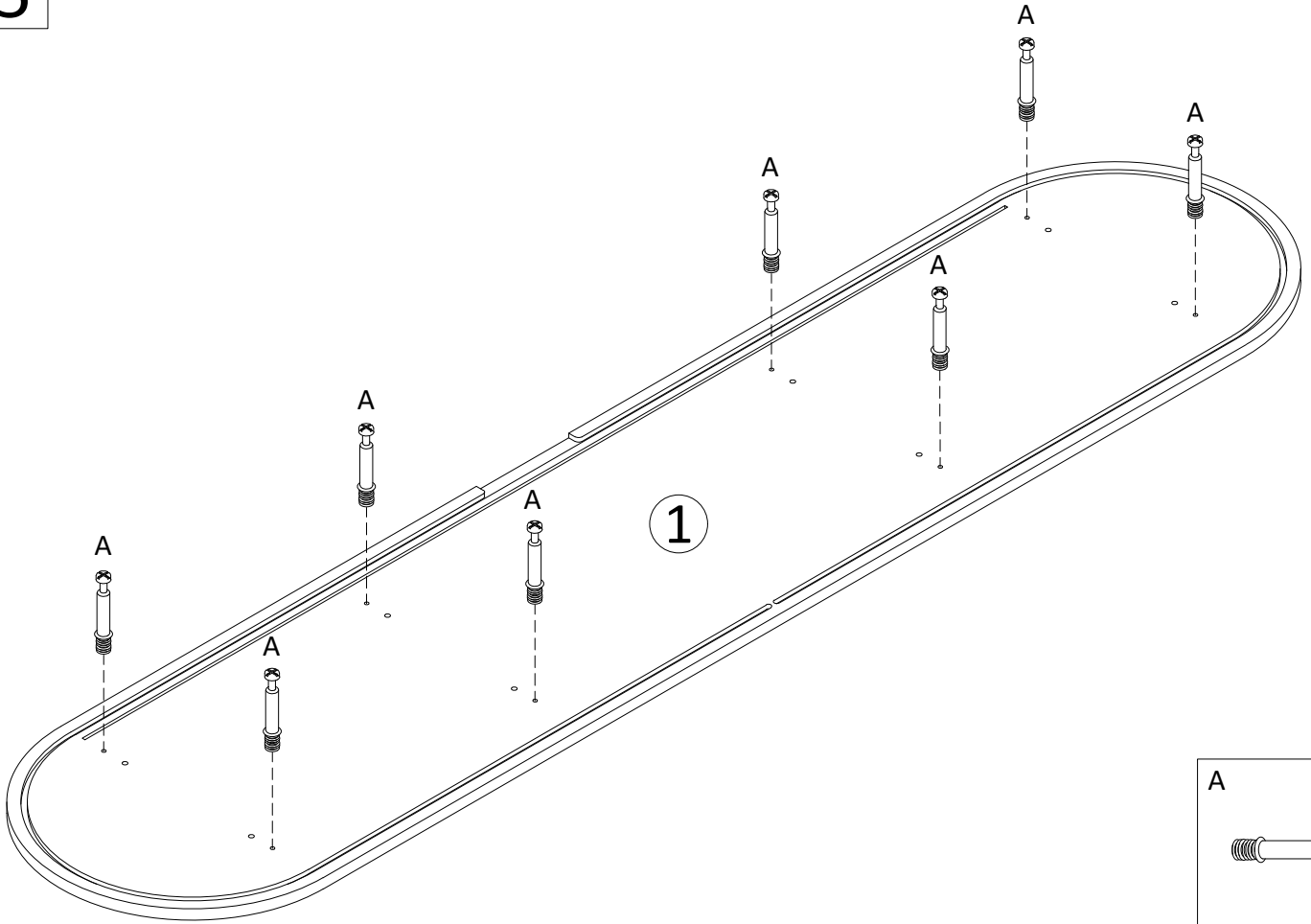
3



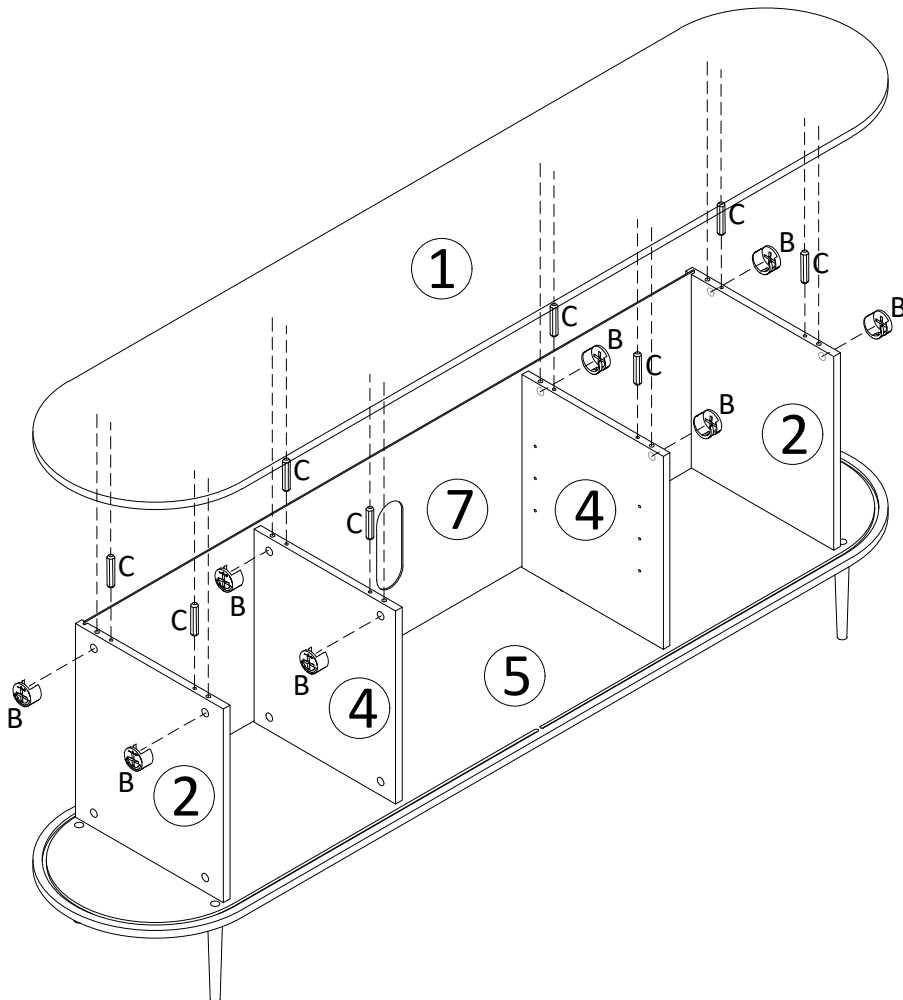
4



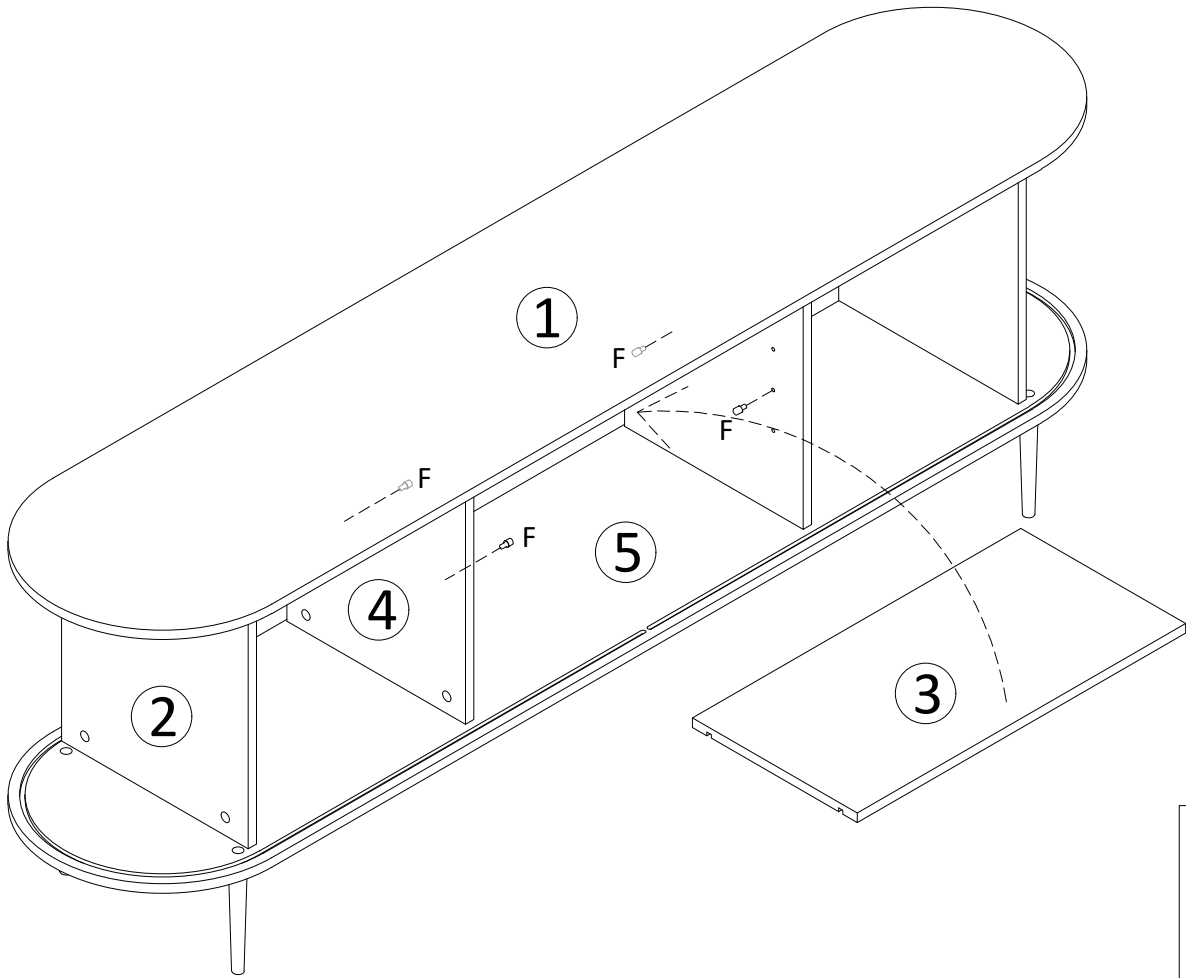
5



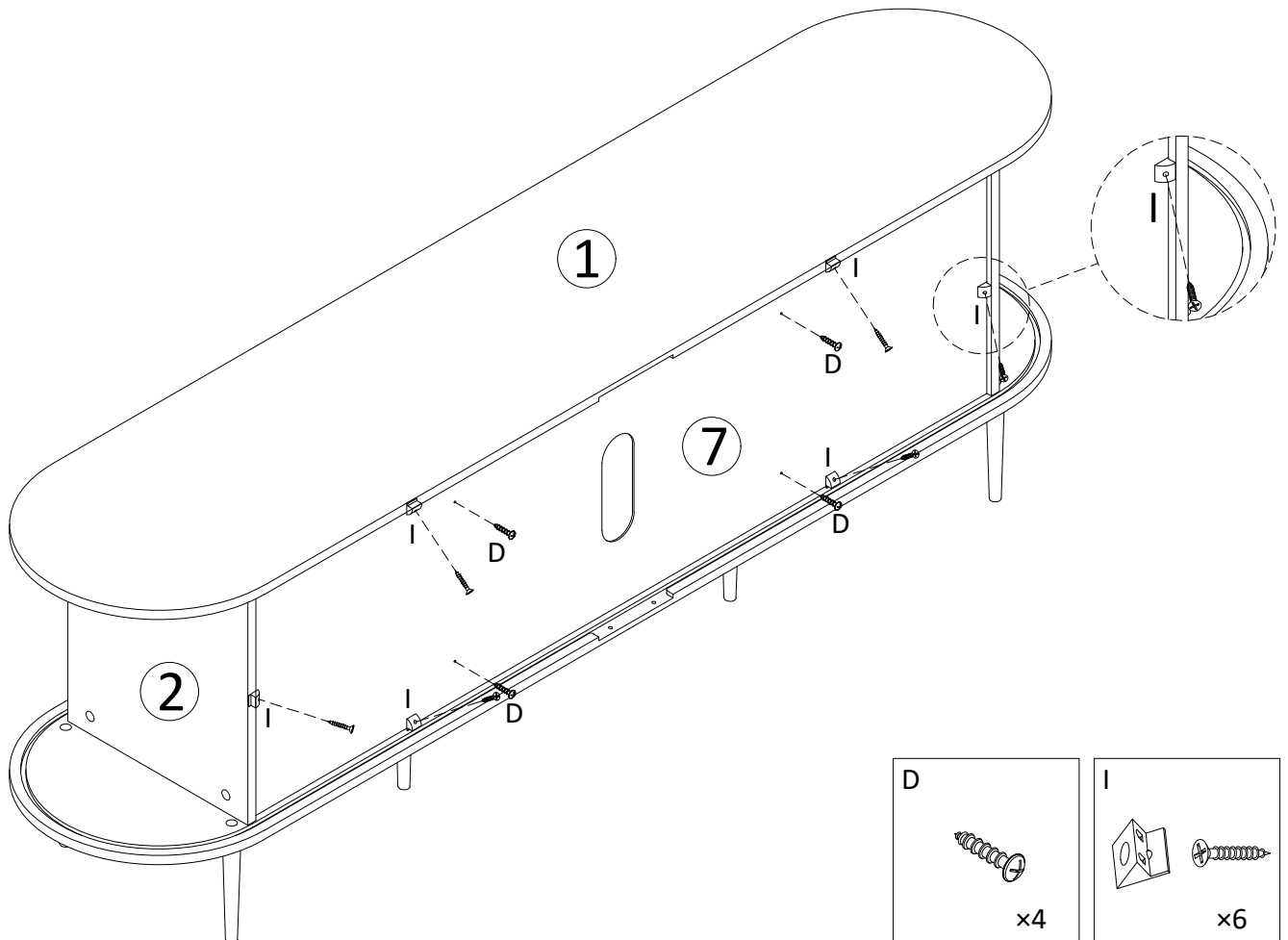
6



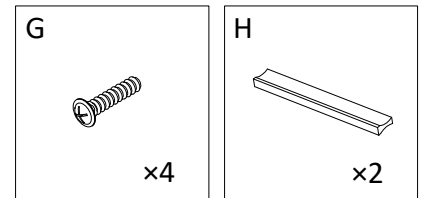
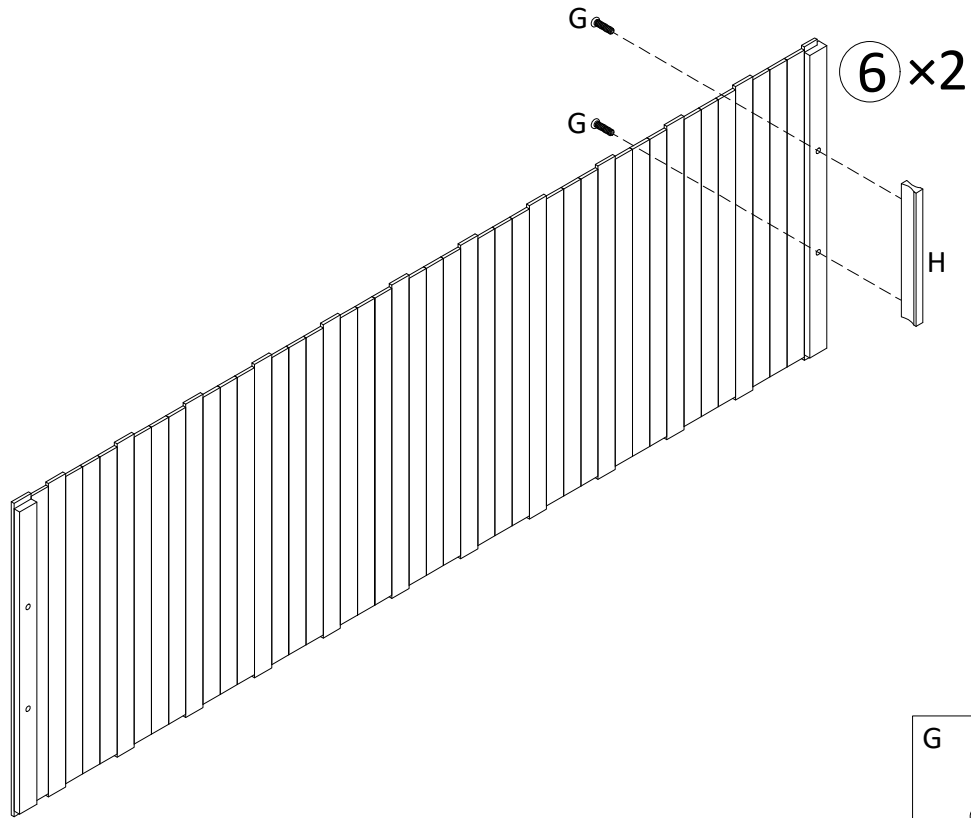
7



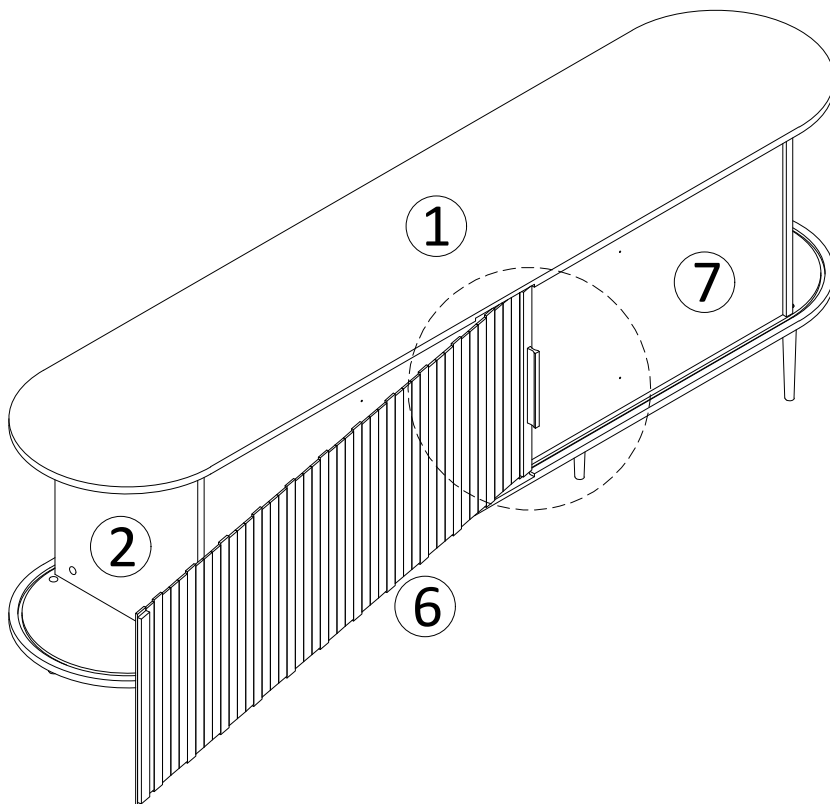
8



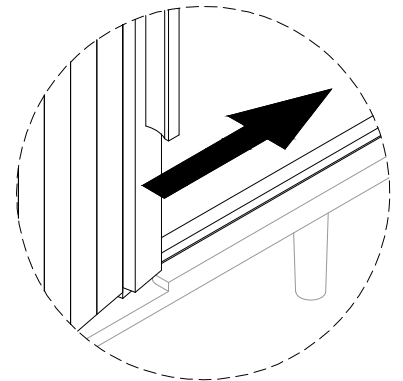
9



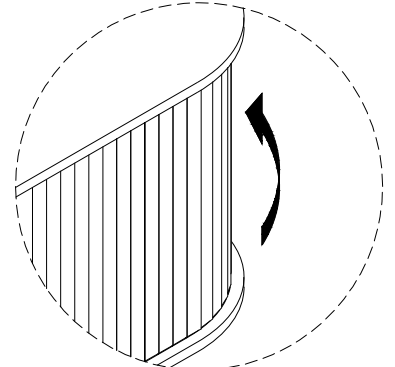
10



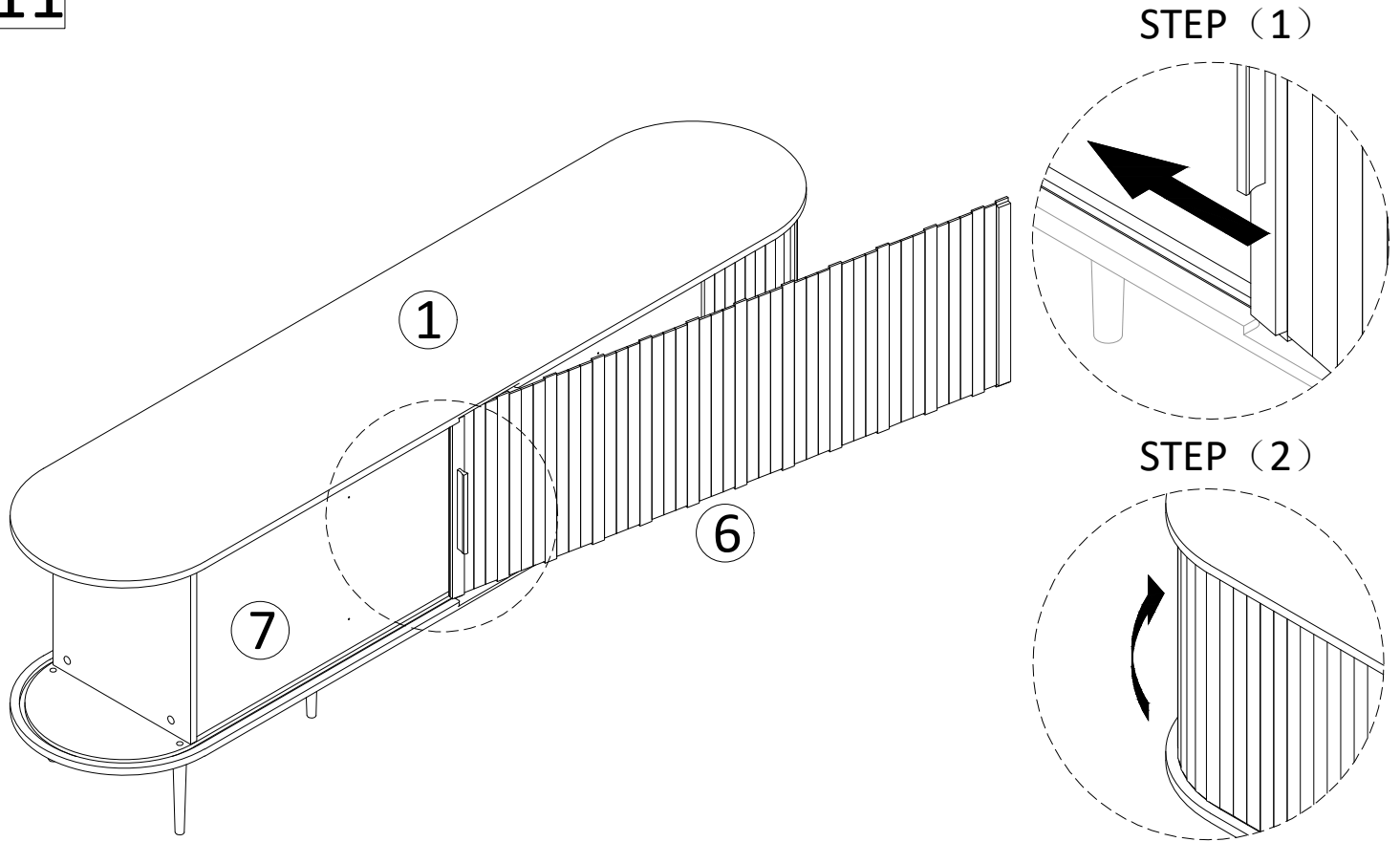
STEP (1)



STEP (2)



11



12

