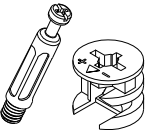
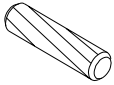
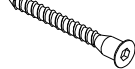
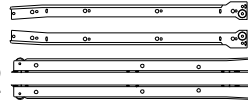

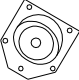

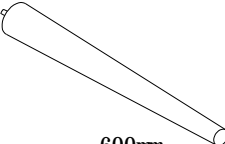
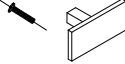

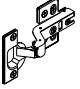
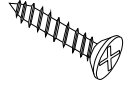

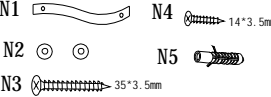
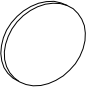
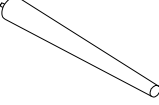

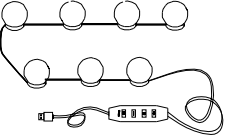
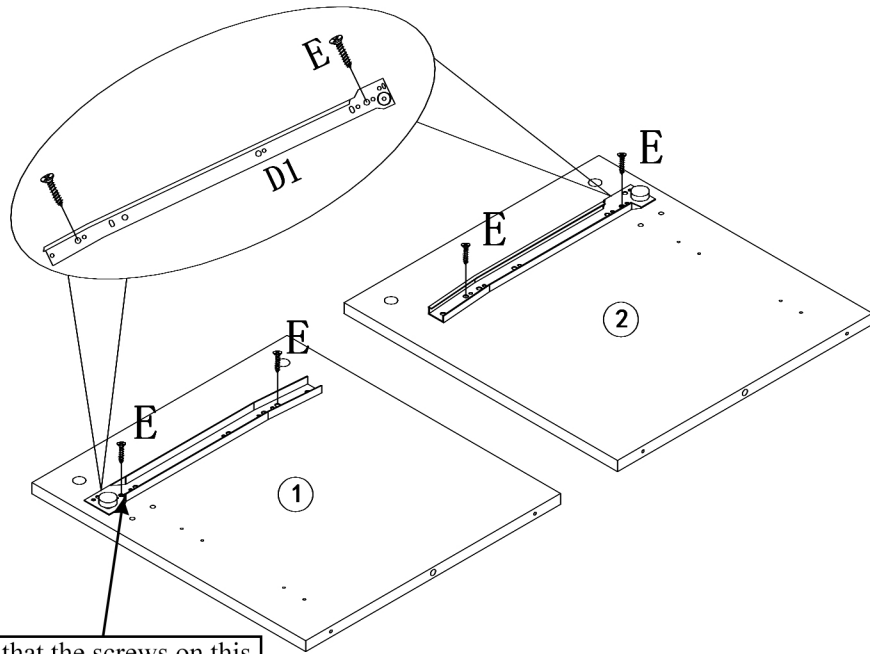


<p>A 27pcs</p>  <p>15*34</p>	<p>B 11pcs</p>  <p>40*8mm</p>	<p>C 60pcs</p>  <p>40*5mm</p>	<p>D 2pcs</p> <p>D1</p> <p>D2</p>  <p>350mm</p>	<p>E 86pcs</p>  <p>14*3.5mm</p>	<p>F 10pcs</p> 	<p>G 4pcs</p>  <p>120mm</p>	<p>H 2pcs</p>  <p>600mm</p>	<p>I 3pcs</p> 
<p>J 5pcs</p>  <p>12*2mm</p>	<p>K 2pcs</p> 	<p>L 4pcs</p>  <p>20*3.5mm</p>	<p>M 30pcs</p> 	<p>N 2pcs</p> <p>N1</p> <p>N2</p> <p>N3</p> <p>N4</p> <p>N5</p>  <p>14*3.5mm</p> <p>35*3.5mm</p>	<p>O 24pcs</p>  <p>φ13</p>	<p>P 4pcs</p>  <p>360mm</p>	<p>Q 1pcs</p> 	<p>R 1pcs</p> 

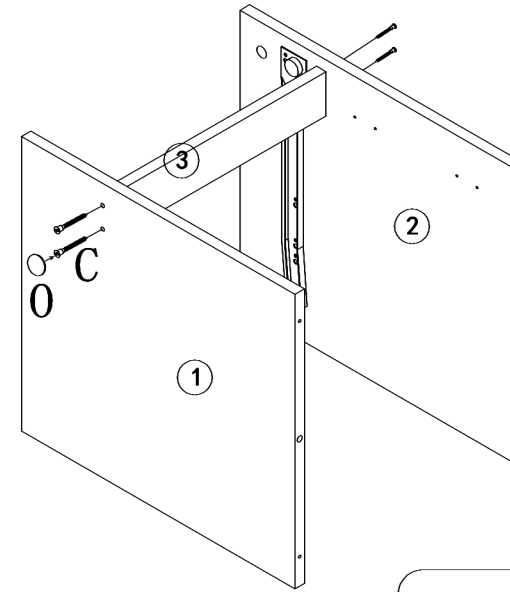
1



Make sure that the screws on this slide are tightened on a level

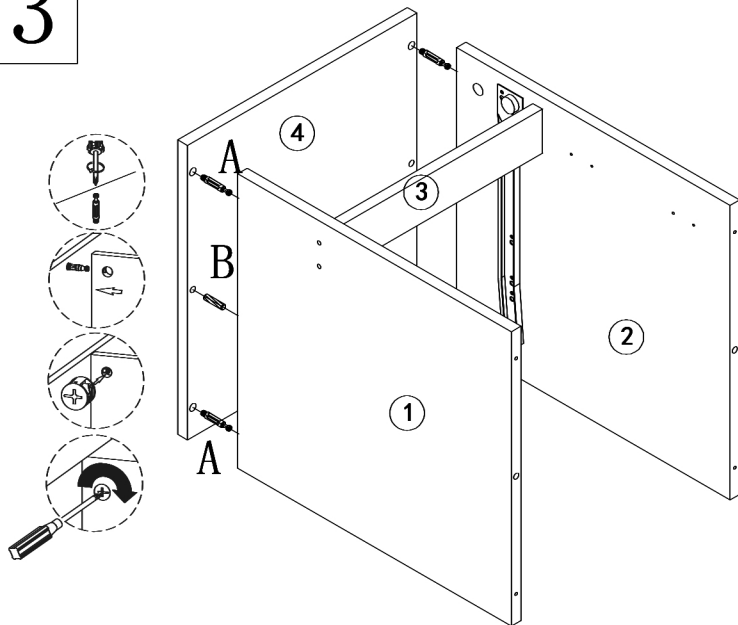
D1*2 E*4

2



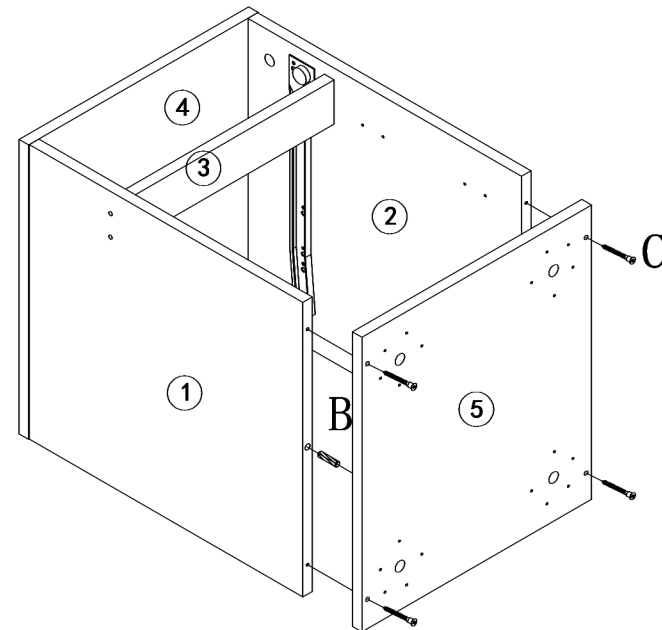
C*4 O*4

3



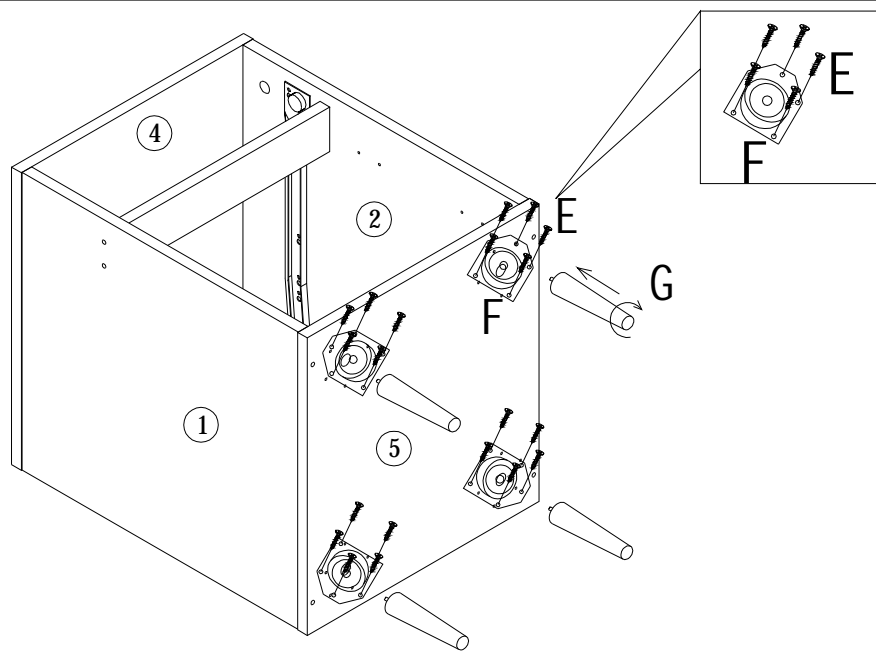
A*4 B*2

4



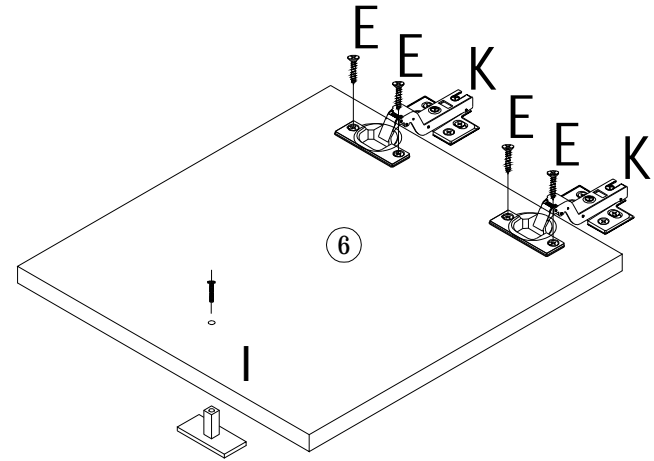
B*2 C*4

5



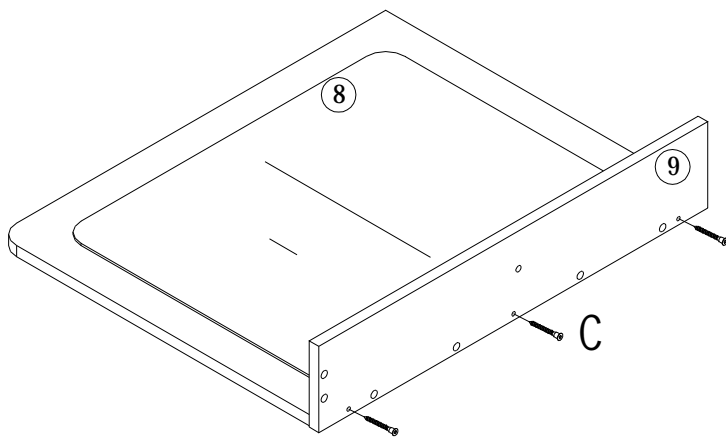
E*20 F*4 G*4

6



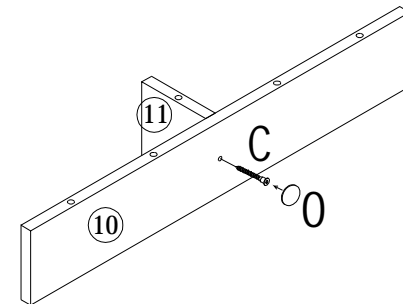
E*4 K*2 I*1

7



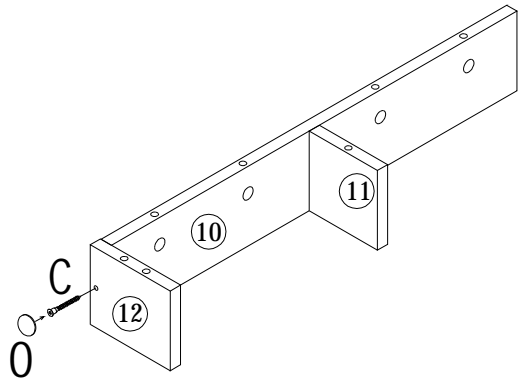
C*3

8



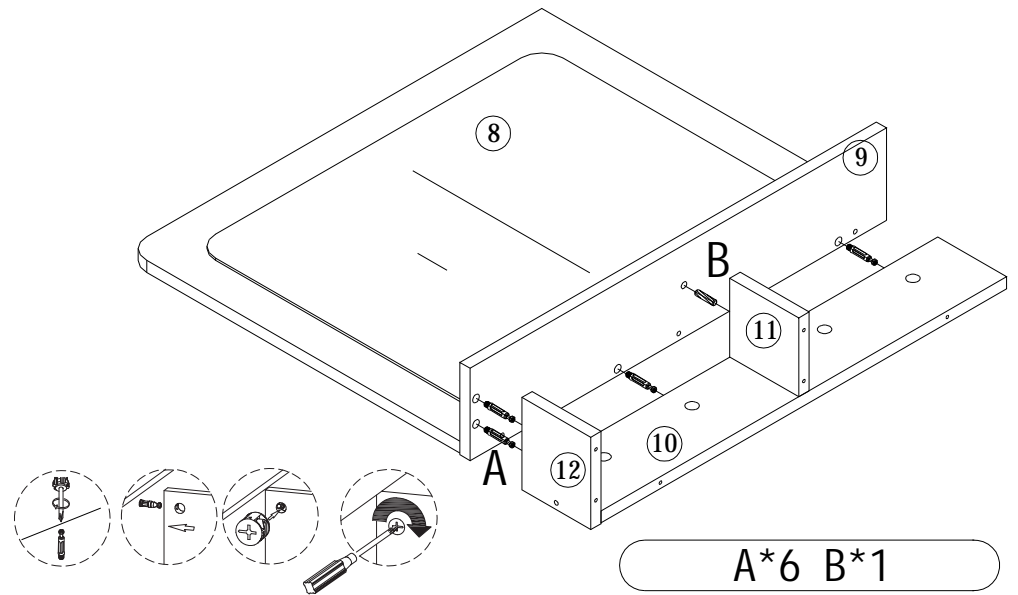
C*1 O*1

9



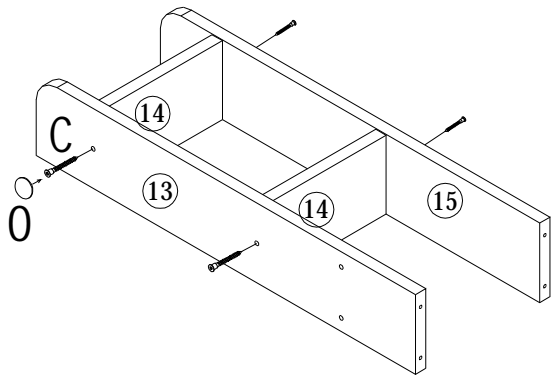
C*1 0*1

10



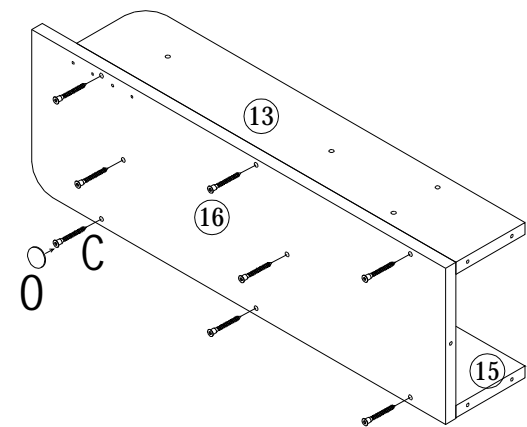
A*6 B*1

11



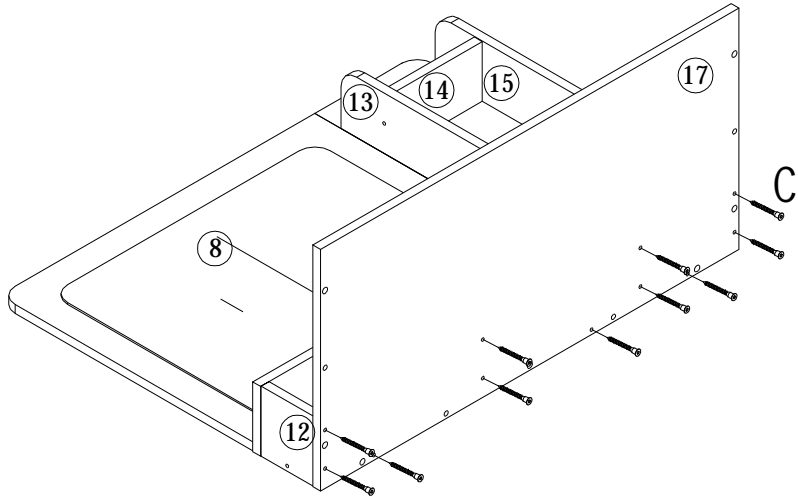
C*4 0*4

12



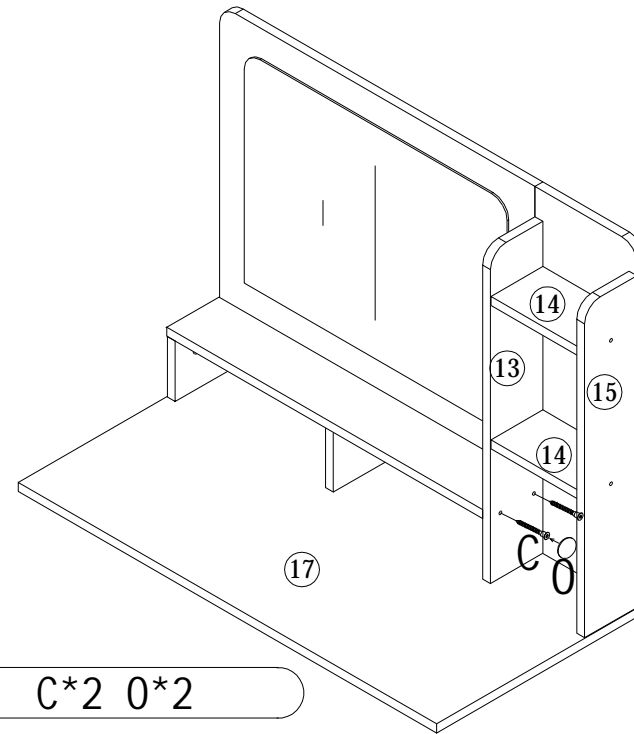
C*8 0*8

13



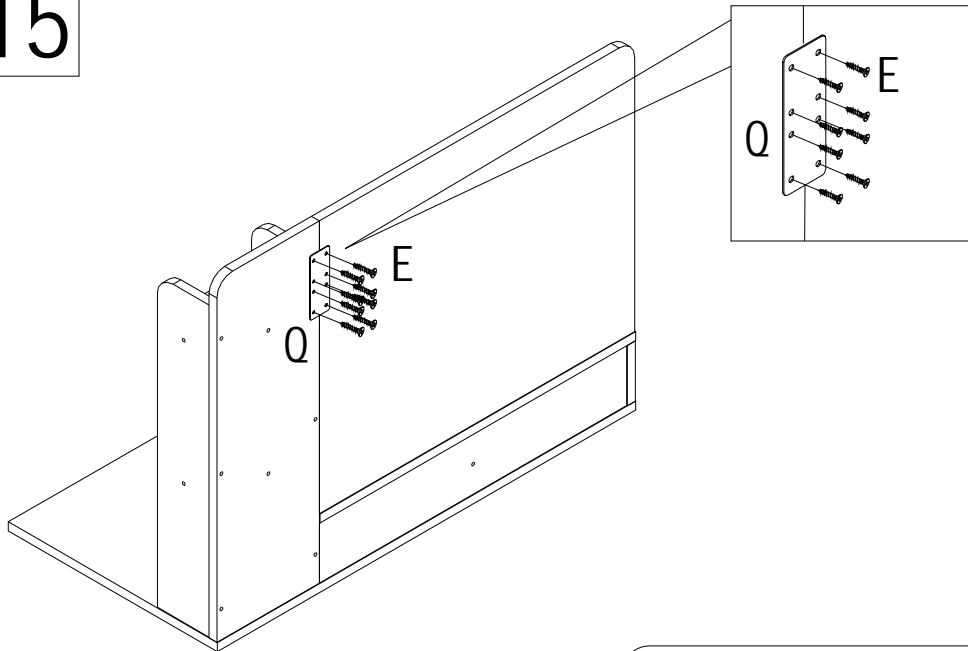
C*11

14



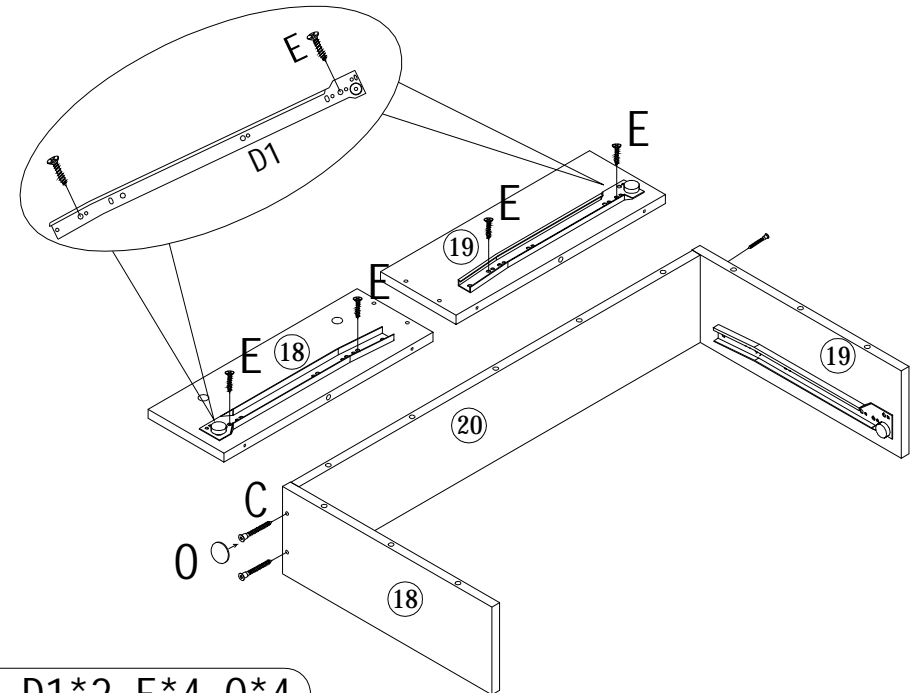
C*2 O*2

15



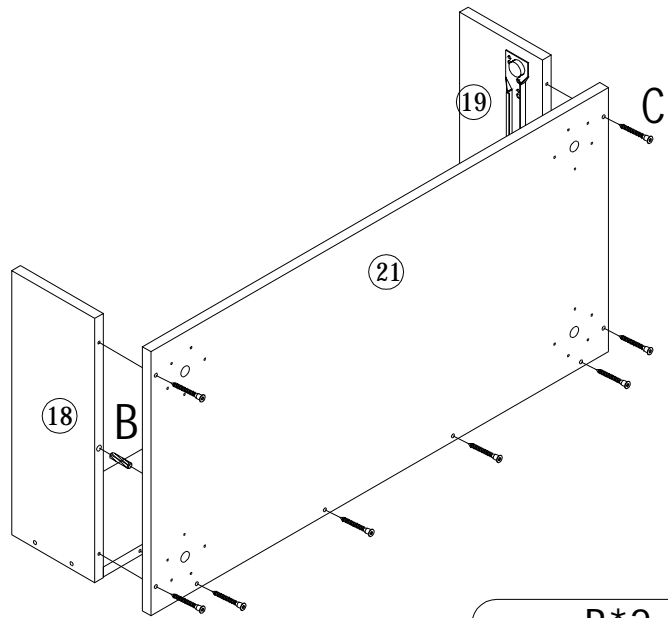
E*8 Q*1

16



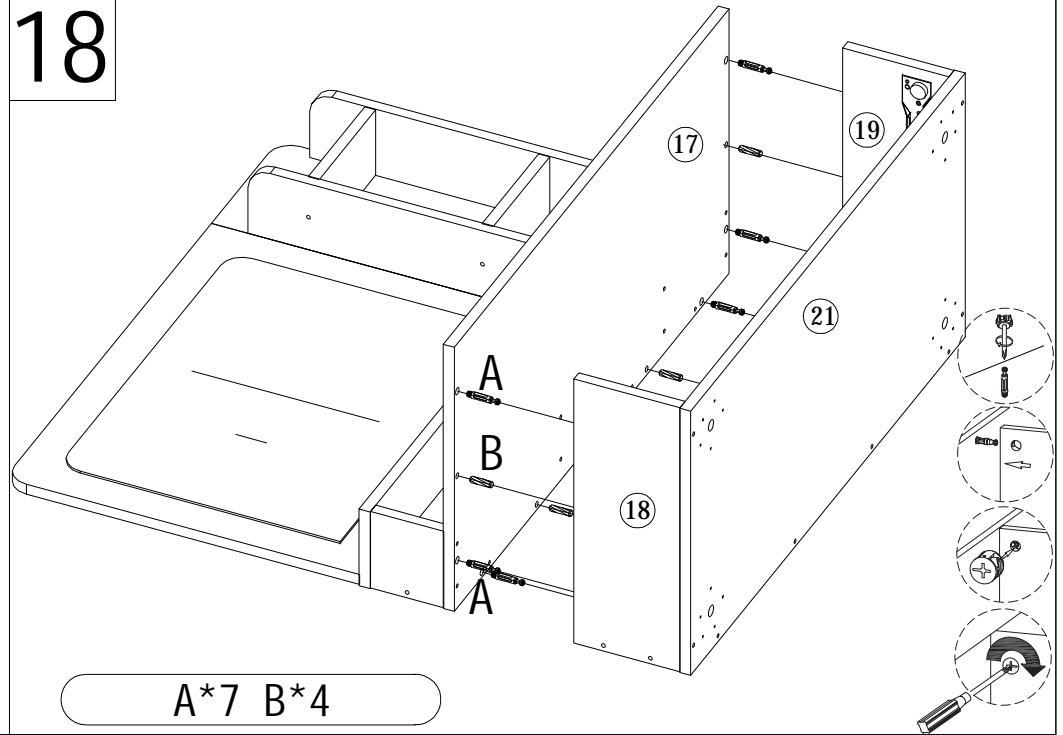
C*4 D1*2 E*4 O*4

17



B*2 C*8

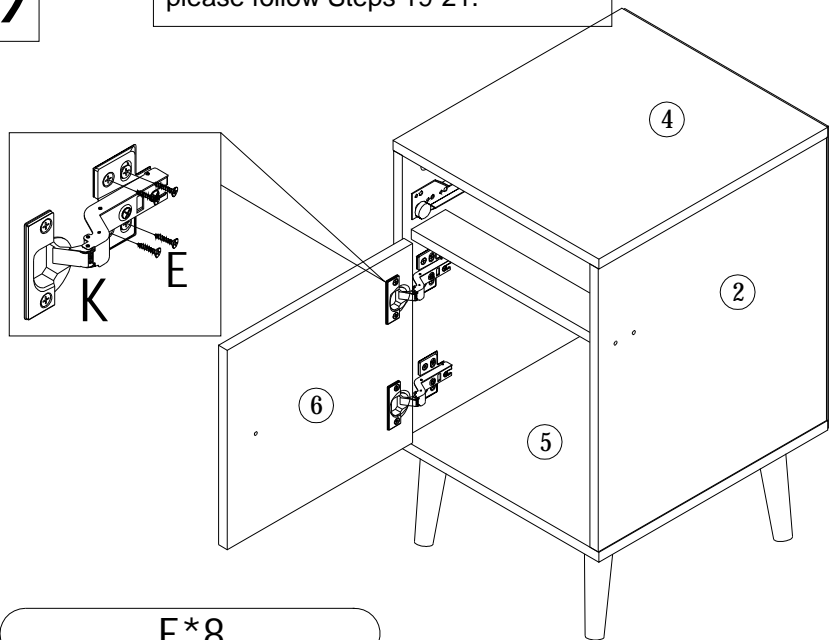
18



A*7 B*4

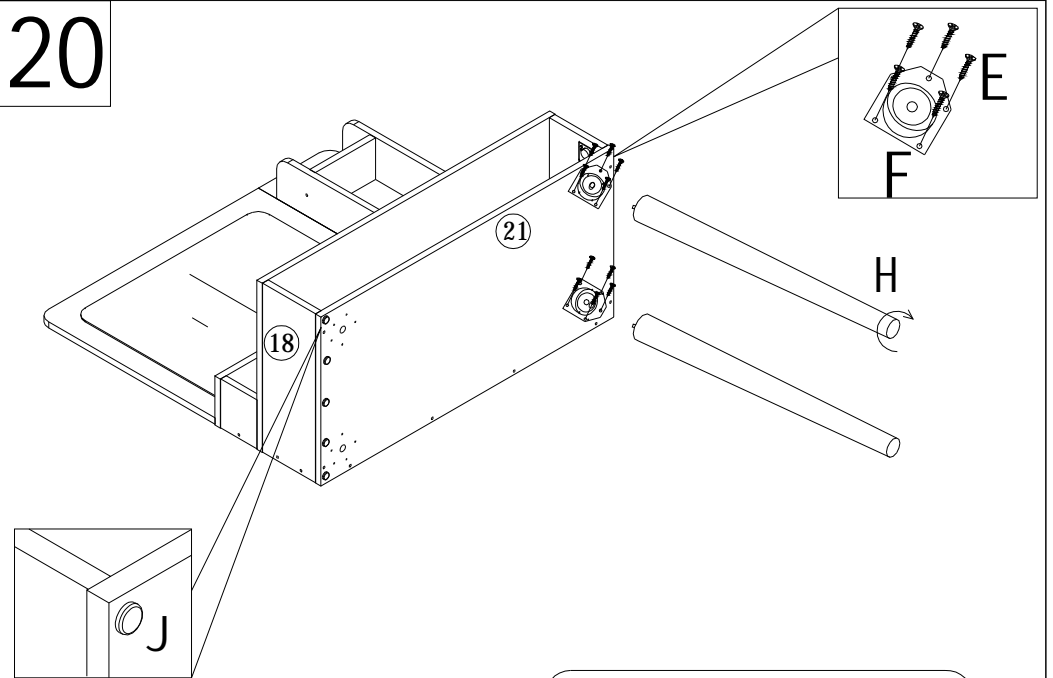
19

Place the drawer cabinet on the left, please follow Steps 19-21.



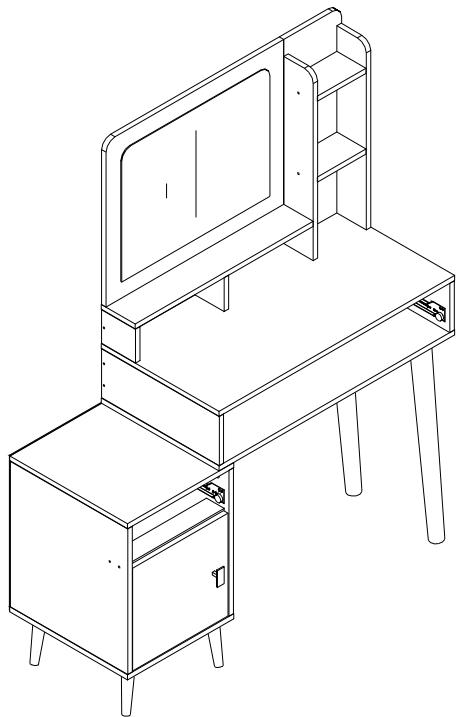
E*8

20



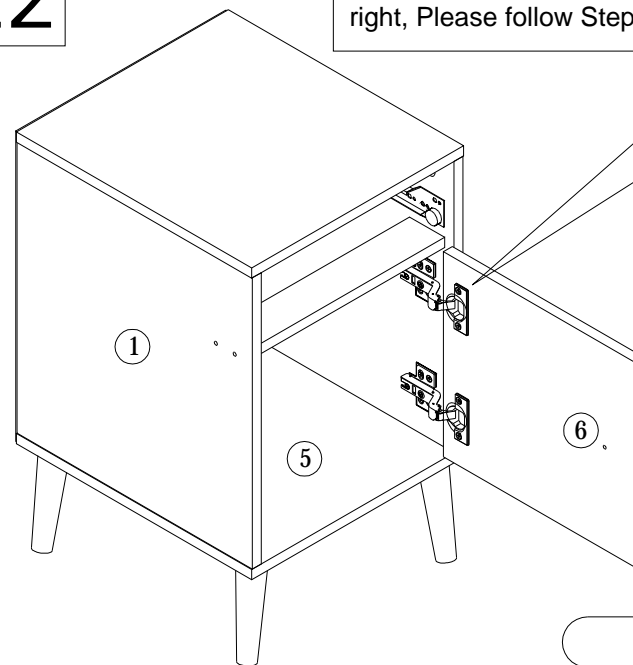
E*10 F*2 H*2 J*5

21



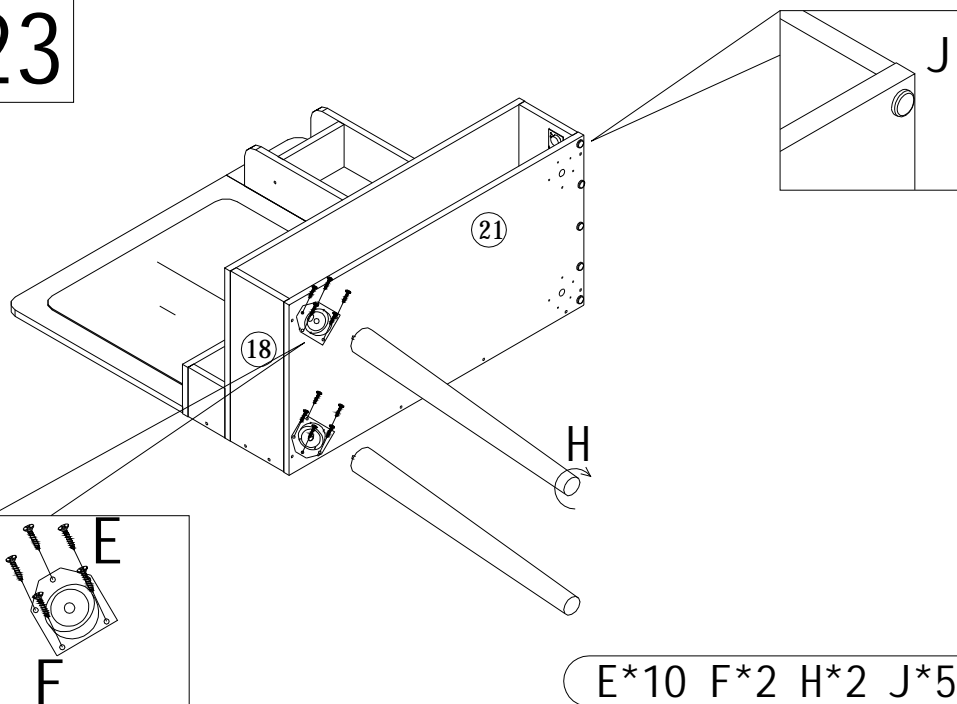
22

Place the drawer cabinet on the right, Please follow Steps 22-24



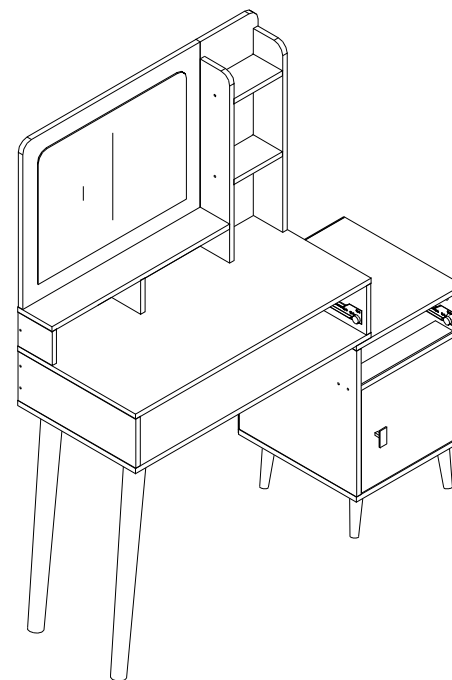
E*8

23

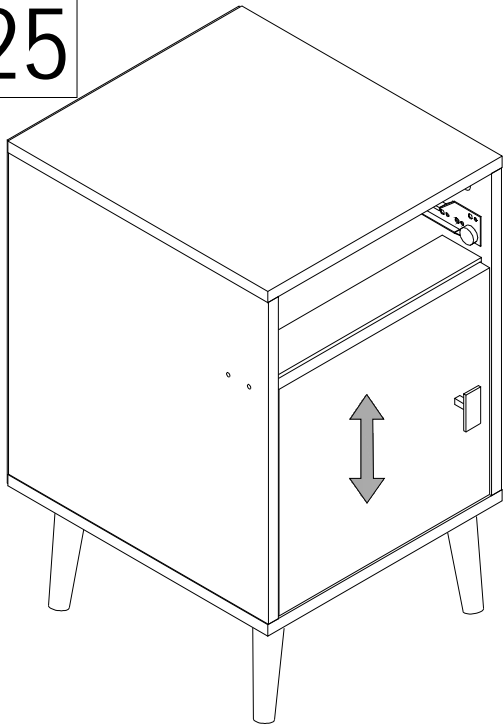


E*10 F*2 H*2 J*5

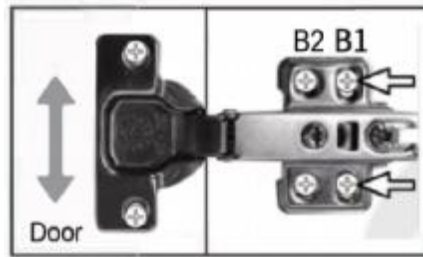
24



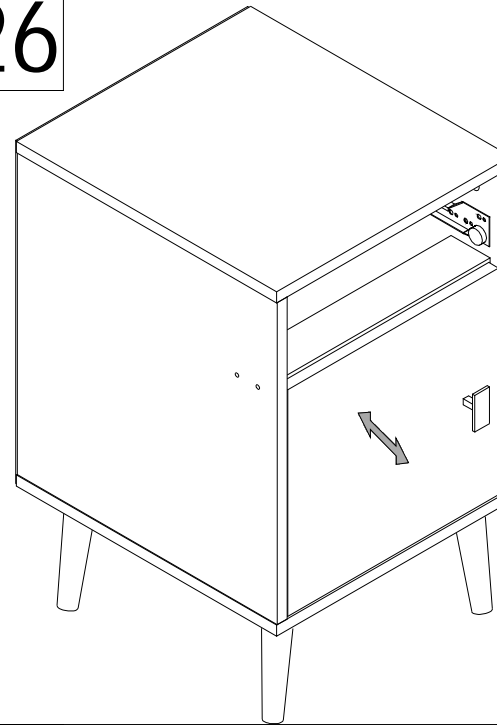
25



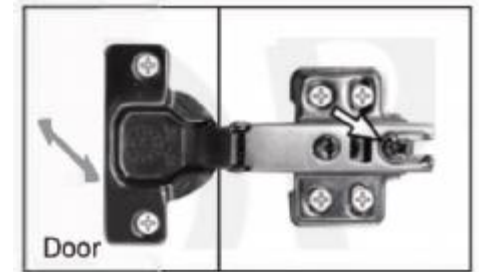
● Height Adjustment
Loosen screws at B1&B2
and move door up or
down as required.
Retighten Screws at B1&
B2.



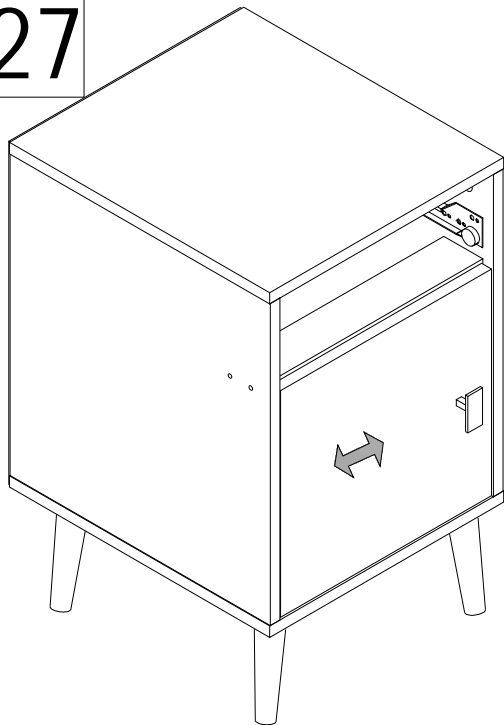
26



● Forward and Back
adjustment.
Loosen screw shown and
move door in or out as
required.
Retighten Screw.



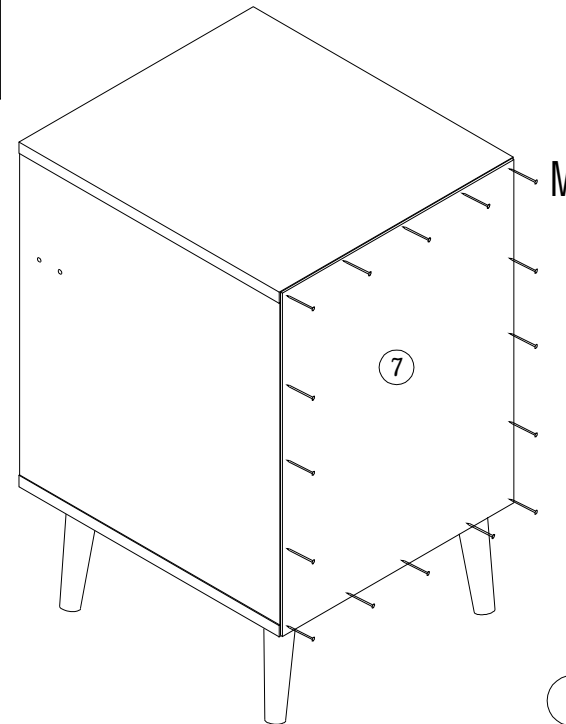
27



Adjust the doors if needed
● Sideways adjustment
Loosen and tighten screw
shown, to move doors left
or right as required

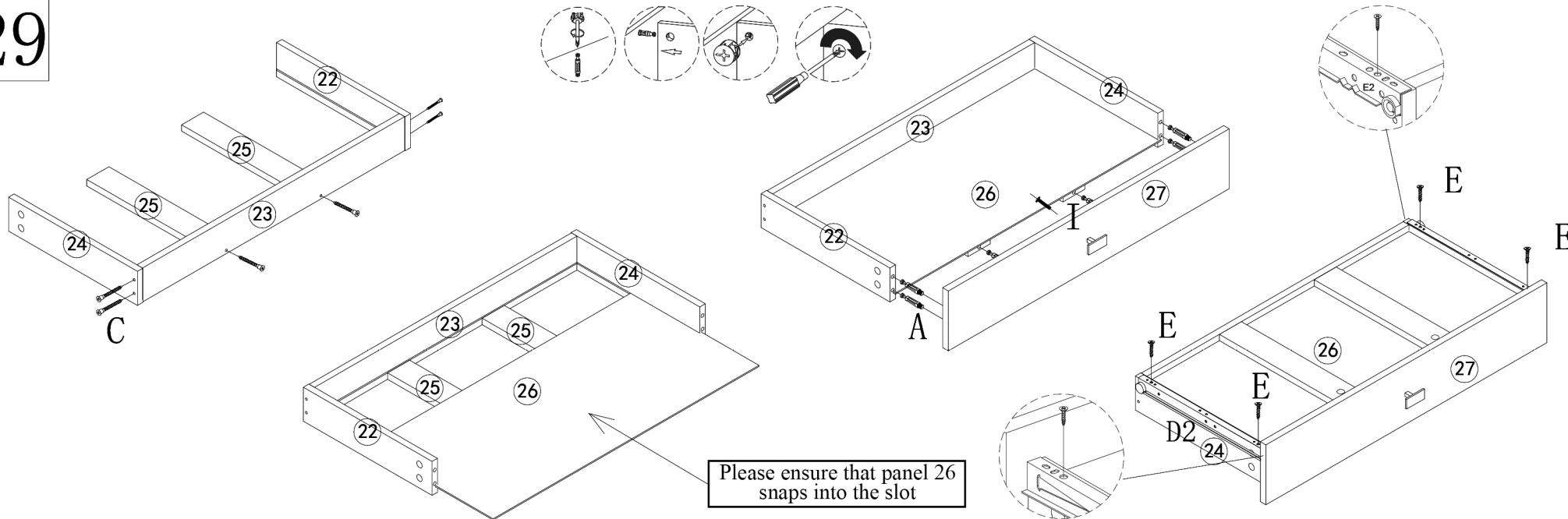


28



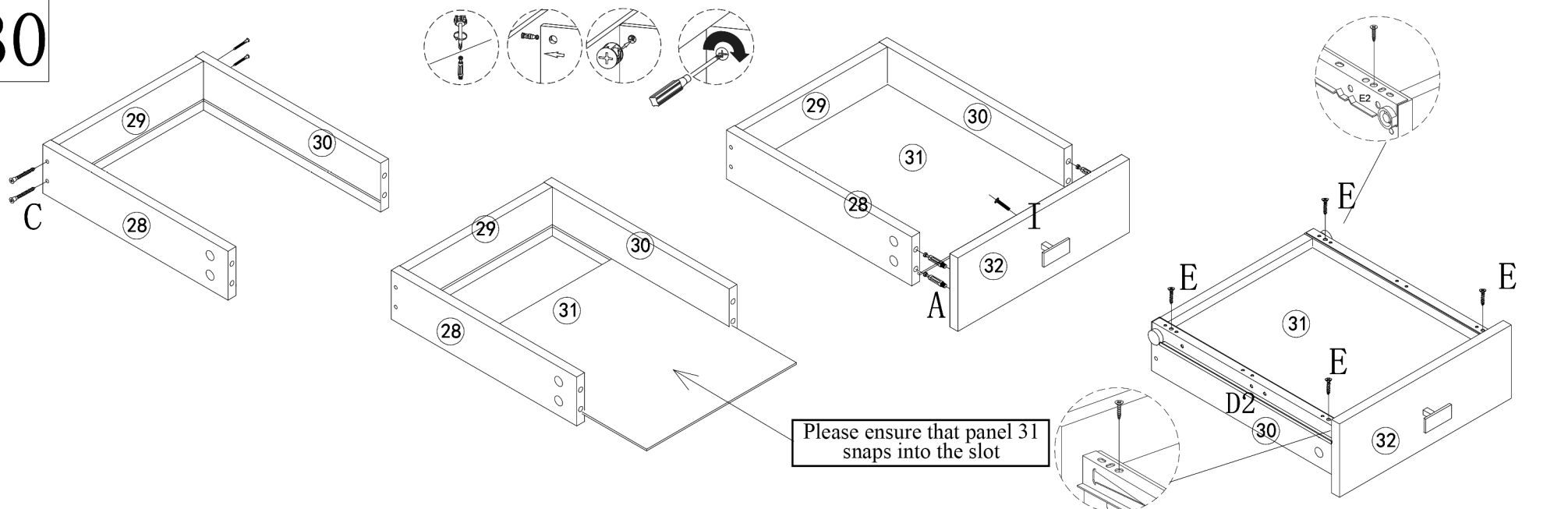
M*30

29



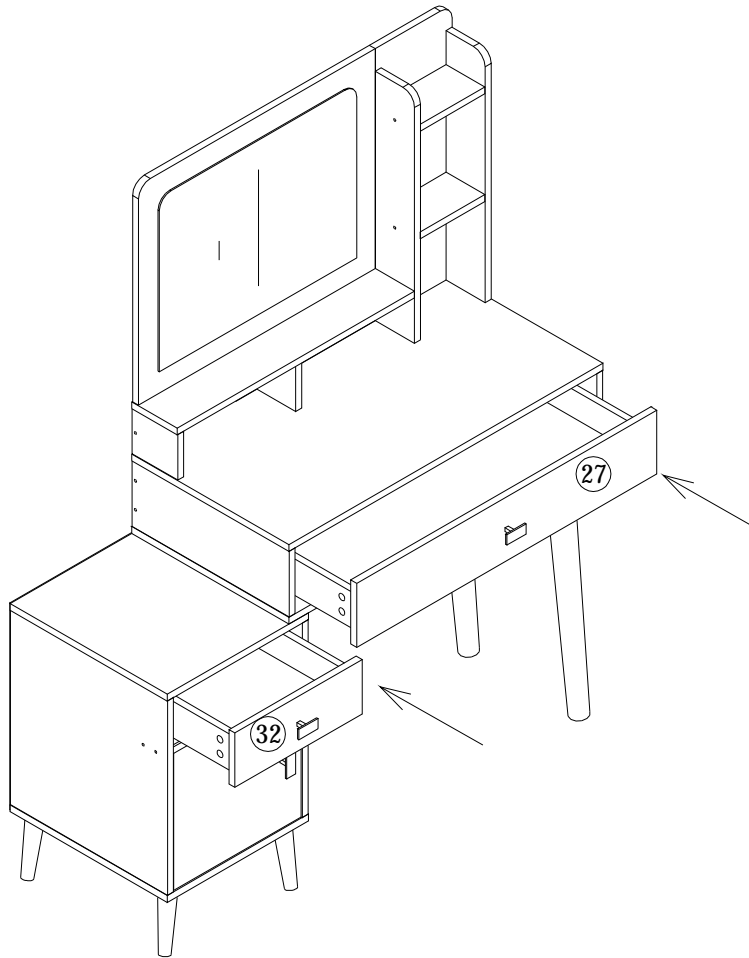
A*6 C*6 D2*2 E*4 I*1

30



A*4 C*4 D2*2 E*4 I*1

31



32

How to Install the Bulbs?



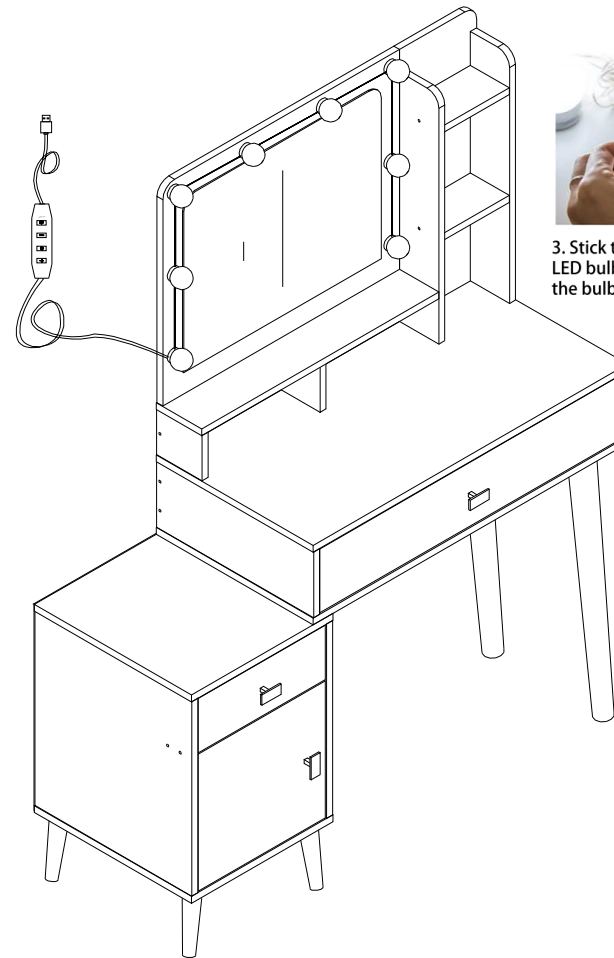
1. First measure the location to be installed, and mark it with Marker Pen

2. Adjust the LED light wire to a suitable distance, and put the LED light on the mirror to see if it is suitable



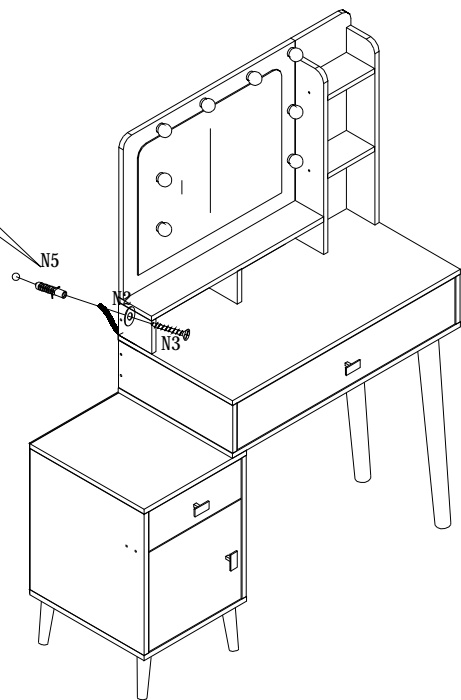
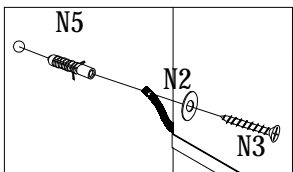
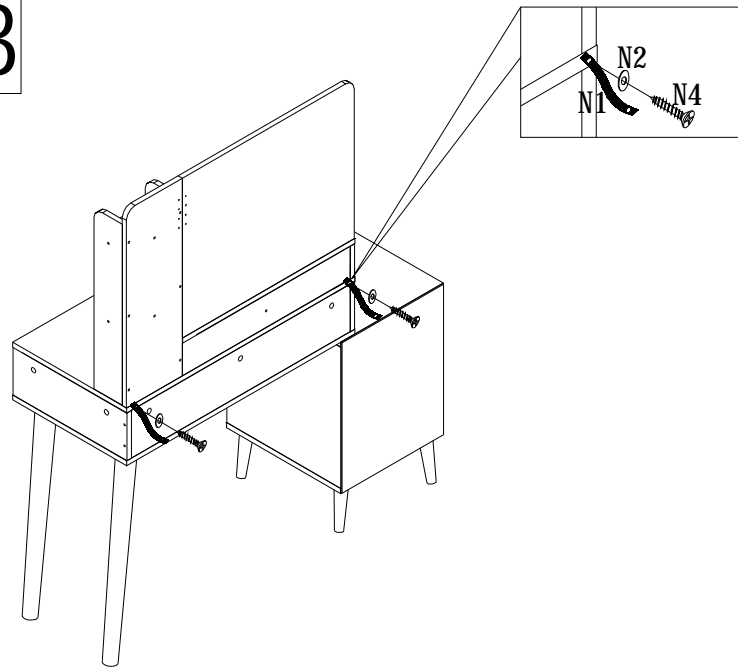
3. Stick the 3M tape on the LED bulb, and then stick the bulb on the mirror in turn

4. Finally adjust the bulb line to keep it neat



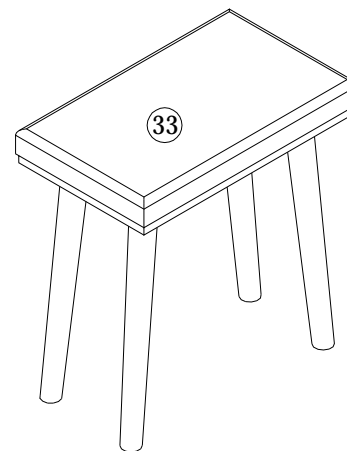
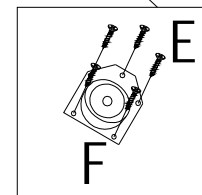
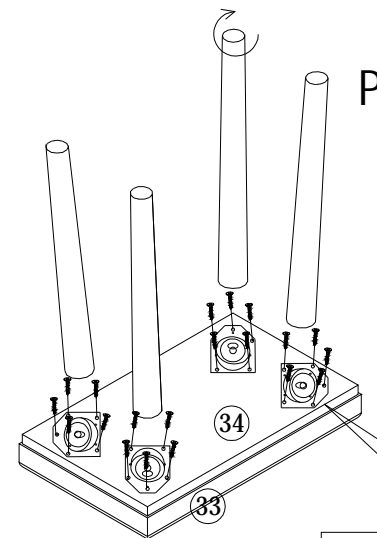
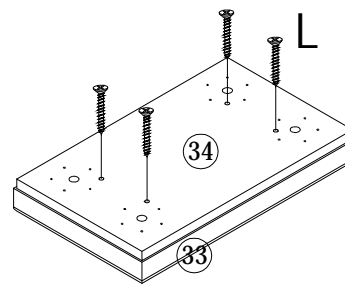
R*1

33



N*2

34



E*20 F*4 L*4 P*4

