

ASSEMBLY INSTRUCTIONS

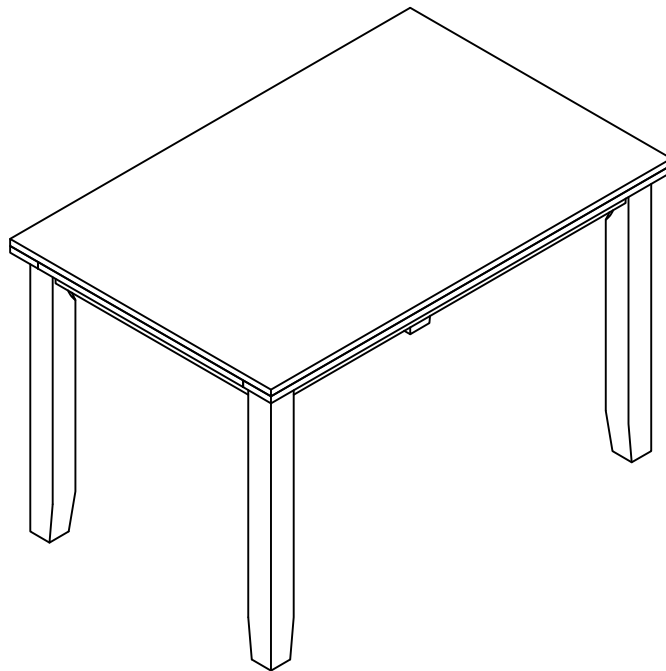
DINING TABLE

IMPORTANT NOTE:

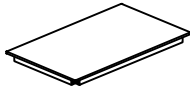
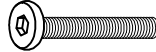
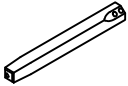



** PLACE ALL PARTS ON A CLEAN AND SMOOTH SURFACE SUCH AS A RUG OR CARPET TO AVOID THE PARTS FROM BEING SCRATCHED.

** BEFORE YOU BEGIN, KINDY FOLLOW THE ASSEMBLY INSTRUCTIONS STEP BY STEP.

** DO NOT TIGHTEN ALL SCREWS AND BOLTS UNTIL THE TABLE IS FULLY SET-UP.



CARTONS ONLY ONE / CARTONS SEULEMENT UN

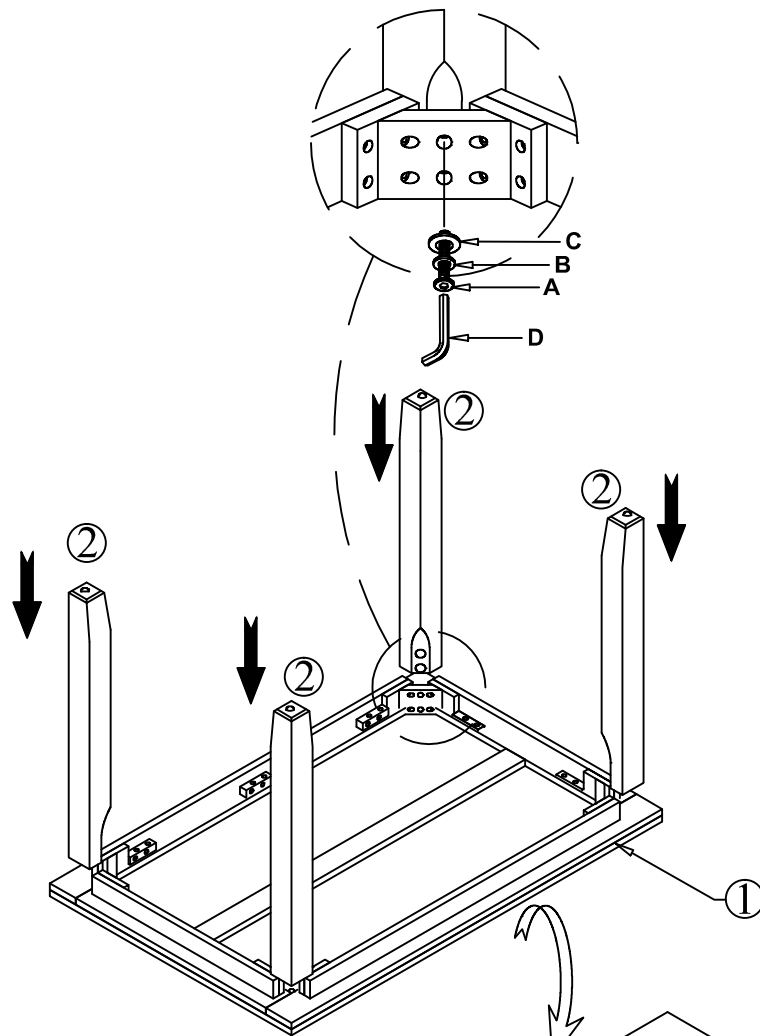
PART LISTS				HARDWARE LISTS			
NO.	DESCRIPTION	SKETCH	Q'TY	NO.	DESCRIPTION	SKETCH	Q'TY
1	TABLE TOP		1 PC	A	BOLT Ø5/16" x 64 mm		8 PCS
2	LEG		4 PCS	B	SPRING WASHER Ø5/16" x 13 mm		8 PCS
				C	FLAT WASHER Ø5/16" x 19 mm		8 PCS
				D	ALLEN KEY		1 PC

MADE IN VIETNAM

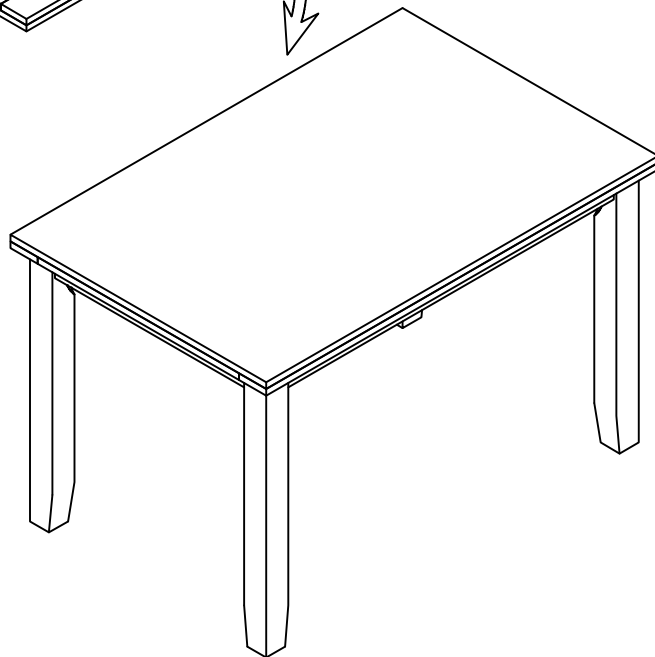
1 OF 2

ASSEMBLY INSTRUCTIONS

Step 1



Step 2



ASSEMBLY INSTRUCTIONS

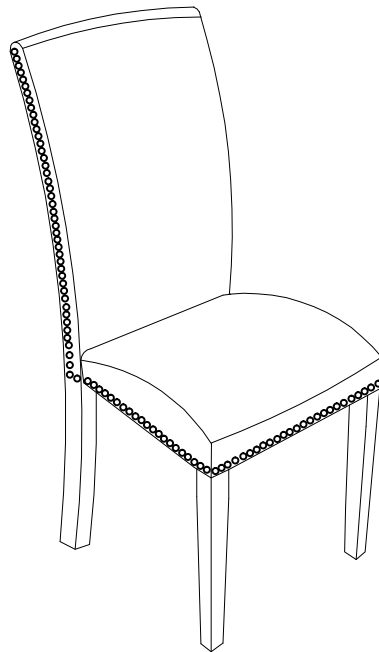
DINING CHAIR

IMPORTANT NOTE:

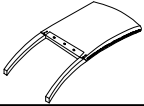
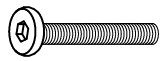

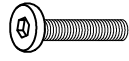

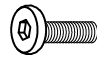



** PLACE ALL PARTS ON A CLEAN AND SMOOTH SURFACE SUCH AS A RUG OR CARPET TO AVOID THE PARTS FROM BEING SCRATCHED.

** BEFORE YOU BEGIN, KINDY FOLLOW THE ASSEMBLY INSTRUCTIONS STEP BY STEP.

** DO NOT TIGHTEN ALL SCREWS AND BOLTS UNTIL THE CHAIR IS FULLY SET-UP.



CARTONS ONLY ONE / CARTONS SEULEMENT UN

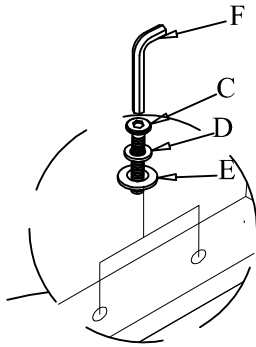
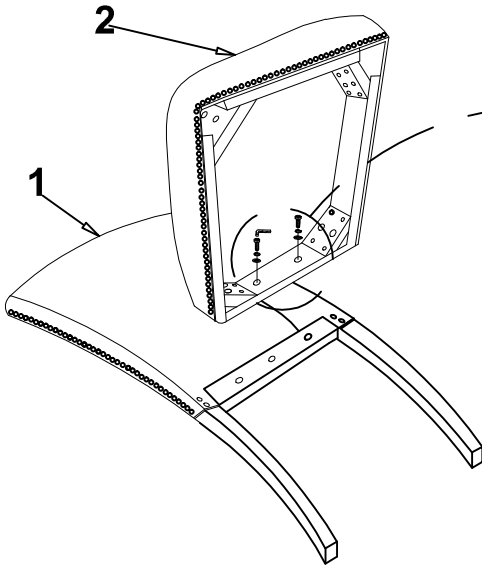
PART LISTS				HARDWARE LISTS			
NO.	DESCRIPTION	SKETCH	Q'TY	NO.	DESCRIPTION	SKETCH	Q'TY
1	CHAIR BACK		1 PC	A	BOLT Ø5/16" x 83 mm		4 PCS
2	SEAR CUSHION		1 PC	B	BOLT Ø5/16" x 57 mm		4 PCS
3	FRONT LEG		2 PCS	C	BOLT Ø5/16" x 38 mm		2PCS
				D	SPRING WASHER Ø5/16" x 13 mmL		10 PCS
				E	FLAT WASHER Ø5/16" x 19 mmL		10 PCS
				F	ALLEN KEY		1 PC

MADE IN VIETNAM

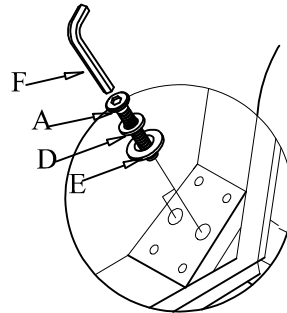
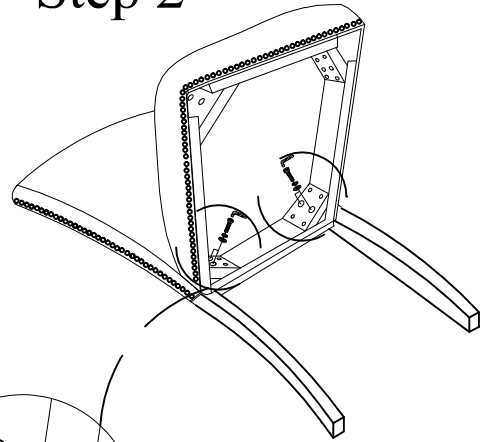
1 OF 2

ASSEMBLY INSTRUCTIONS

Step 1



Step 2



Step 3

