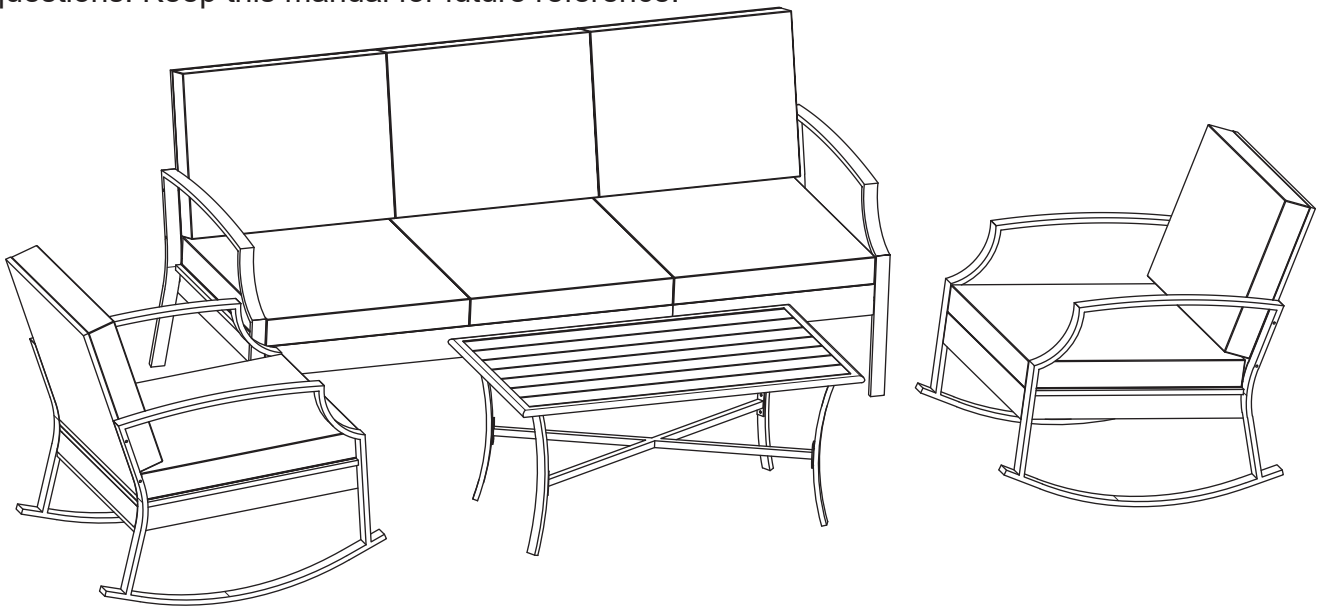


ASSEMBLY INSTRUCTIONS of SS16441

Patio Sectional Sofa Set

Thank you for choosing our product! Please review the parts listed below and carefully read this manual before starting assembly. Follow the steps provided, and feel free to contact us with any questions. Keep this manual for future reference.

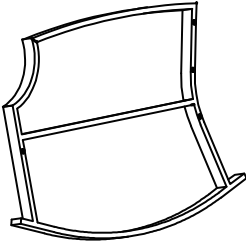
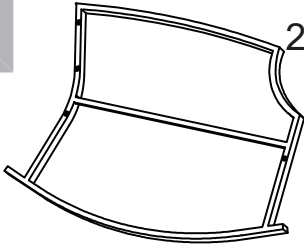
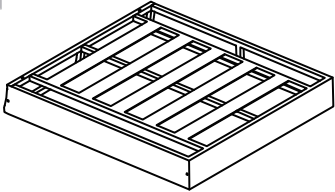
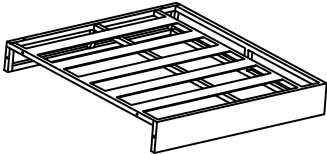

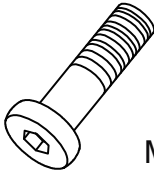
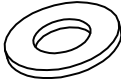
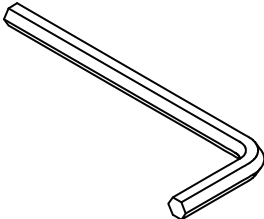
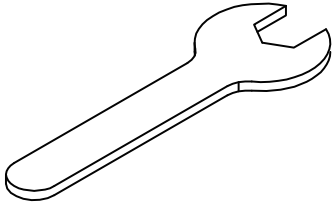
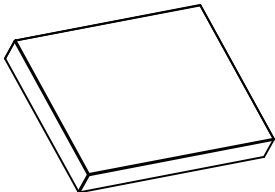
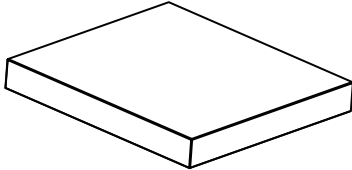


Attention

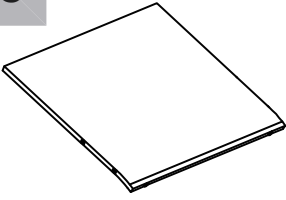
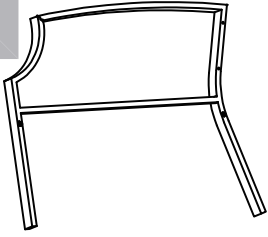
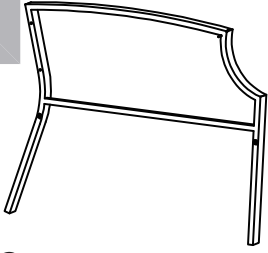
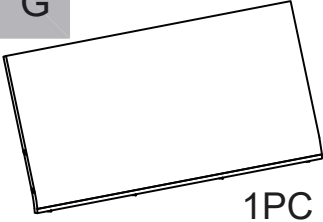
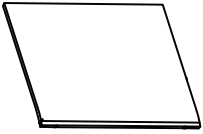
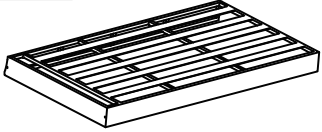
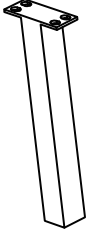
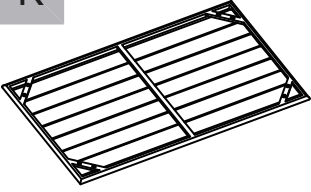
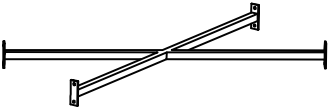
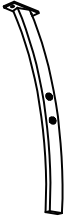
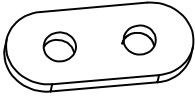
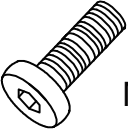
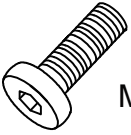
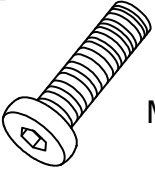
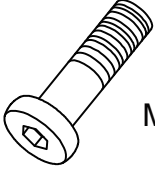

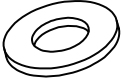
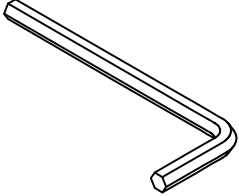
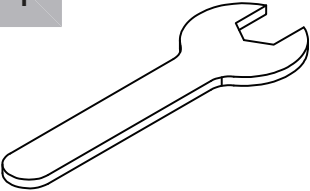
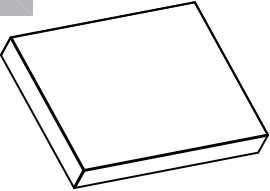
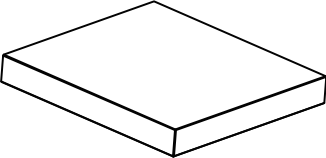
The set is delivered in two packages. Due to potential carrier delays, the packages may arrive at different times. If the second package hasn't arrived within two days of receiving the first, please contact us. We'll investigate and respond within 24 hours.

- Installation Tip 1: For easier assembly, we recommend having two people during installation.
- Installation Tip 2: Avoid fully tightening the screws until all screws are loosely aligned. Once aligned, tighten them completely.
- Protective Measures: Use the included washers to prevent screw indentations on the material.
- Unpacking Caution: When using a knife to open the packaging, handle it carefully to avoid scratching the product.
- Cushion Care: The seat cushions and backrests are vacuum-compressed. Allow them to sit or gently pat them to restore their full shape.
- Customer Support: If you experience any issues with delivery, assembly, or after-purchase concerns, contact us for prompt assistance. We offer a one-year warranty and lifetime customer service.
- Safety Note: Keep children away until assembly is fully complete. The product contains small parts that could pose a choking hazard. Safety first.

Package A Part List

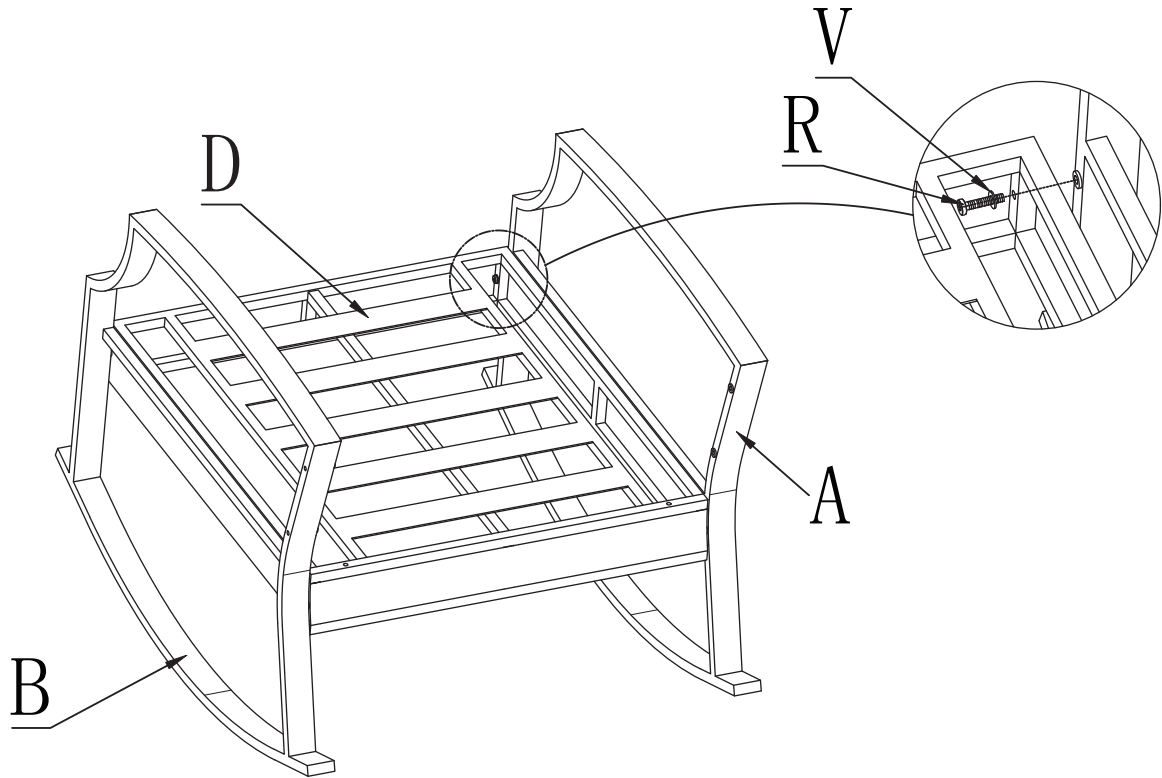
<p>A 2PCS</p>  <p>Right Armrest</p>	<p>B 2PCS</p>  <p>Left Armrest</p>	<p>D 2PCS</p>  <p>Seat Panel</p>
<p>J 1PC</p>  <p>Left Seat Panel(Short)</p>	<p>R 12PCS</p>  <p>M6*30</p> <p>Bolt</p>	<p>T 8PCS</p>  <p>M6*55</p> <p>Bolt</p>
<p>V 20PCS</p>  <p>Washer</p>	<p>W 1PC</p>  <p>M6 Hex Screwdriver</p>	<p>Y 1PC</p>  <p>M6 Hex Wrench</p>
<p>Z 3PCS</p>  <p>Back Cushion</p>	<p>Z1 3PCS</p>  <p>Seat Cushion</p>	

Package B Part List

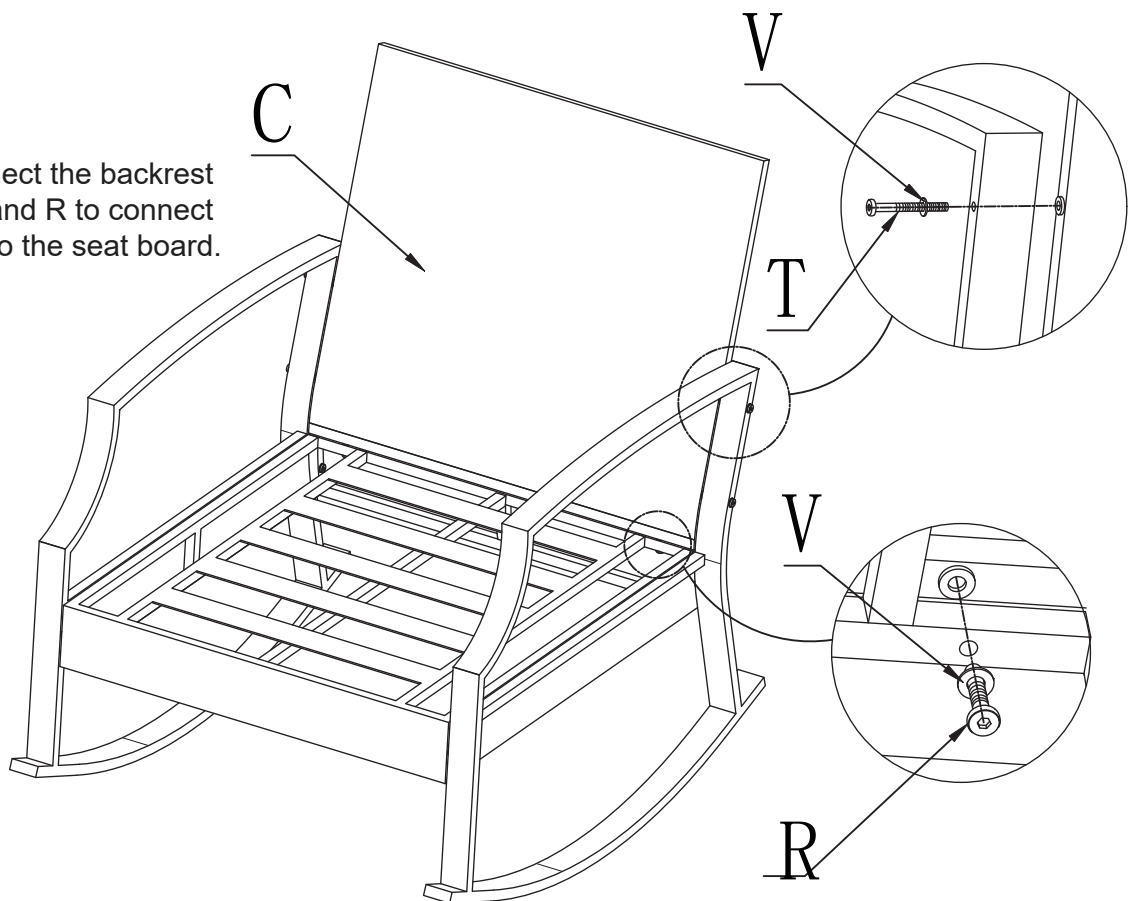
<p>C</p>  <p>2PCS Back Panel</p>	<p>E</p>  <p>1PC Right Armrest</p>	<p>F</p>  <p>1PC Left Armrest</p>	<p>G</p>  <p>1PC Right Back Panel(Long)</p>
<p>H</p>  <p>1PC Left Back Panel (Short)</p>	<p>I</p>  <p>1PC Right Seat Panel(Long)</p>	<p>Q</p>  <p>1PC Support Leg</p>	<p>K</p>  <p>1PC Table Panel</p>
<p>L</p>  <p>1PC Table Leg Connecting</p>	<p>M</p>  <p>4PCS Curved Leg</p>	<p>O</p>  <p>2PCS Back Connecting Bar</p>	<p>P</p>  <p>M6*15 24PCS Bolt</p>
<p>R</p>  <p>M6*30 22PCS Bolt</p>	<p>S</p>  <p>M6*40 4PCS Bolt</p>	<p>T</p>  <p>M6*55 12PCS Bolt</p>	<p>U</p>  <p>4PCS Nut</p>
<p>V</p>  <p>66PCS Washer</p>	<p>W</p>  <p>1PC M6 Hex Screwdriver</p>	<p>Y</p>  <p>1PC M6 Hex Wrench</p>	<p>Z</p>  <p>2PCS Back Cushion</p>
<p>Z1</p>  <p>2PCS Seat Cushion</p>			

Assembly

- 1 Connect the armrest and seat board using R

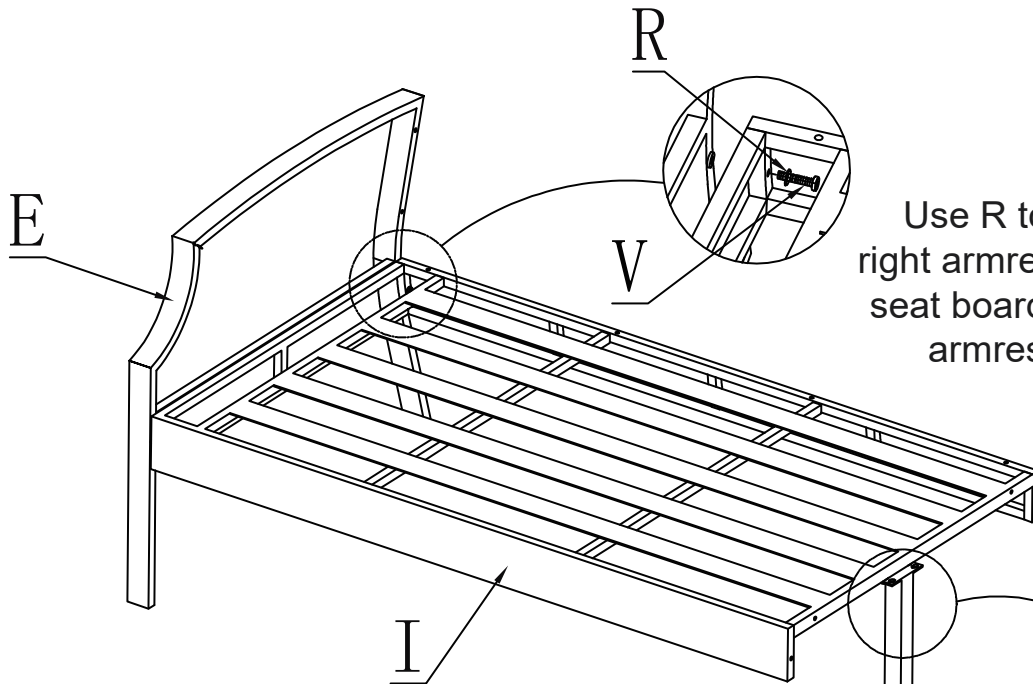


- 2 Use T to connect the backrest to the armrest, and R to connect the backrest to the seat board.



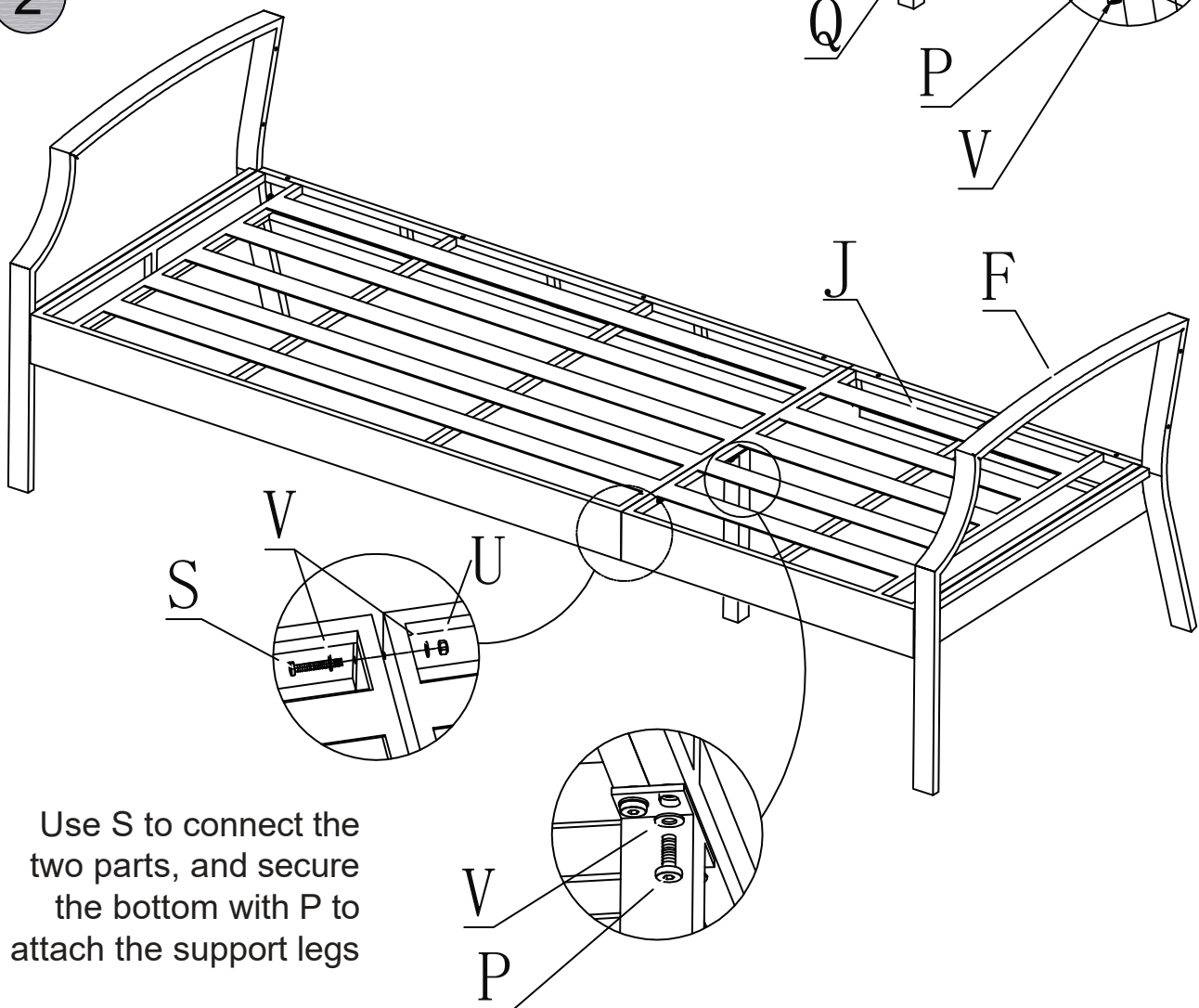
Assembly

1



Use R to connect the right armrest to the long seat board, and the left armrest to the short seat board.

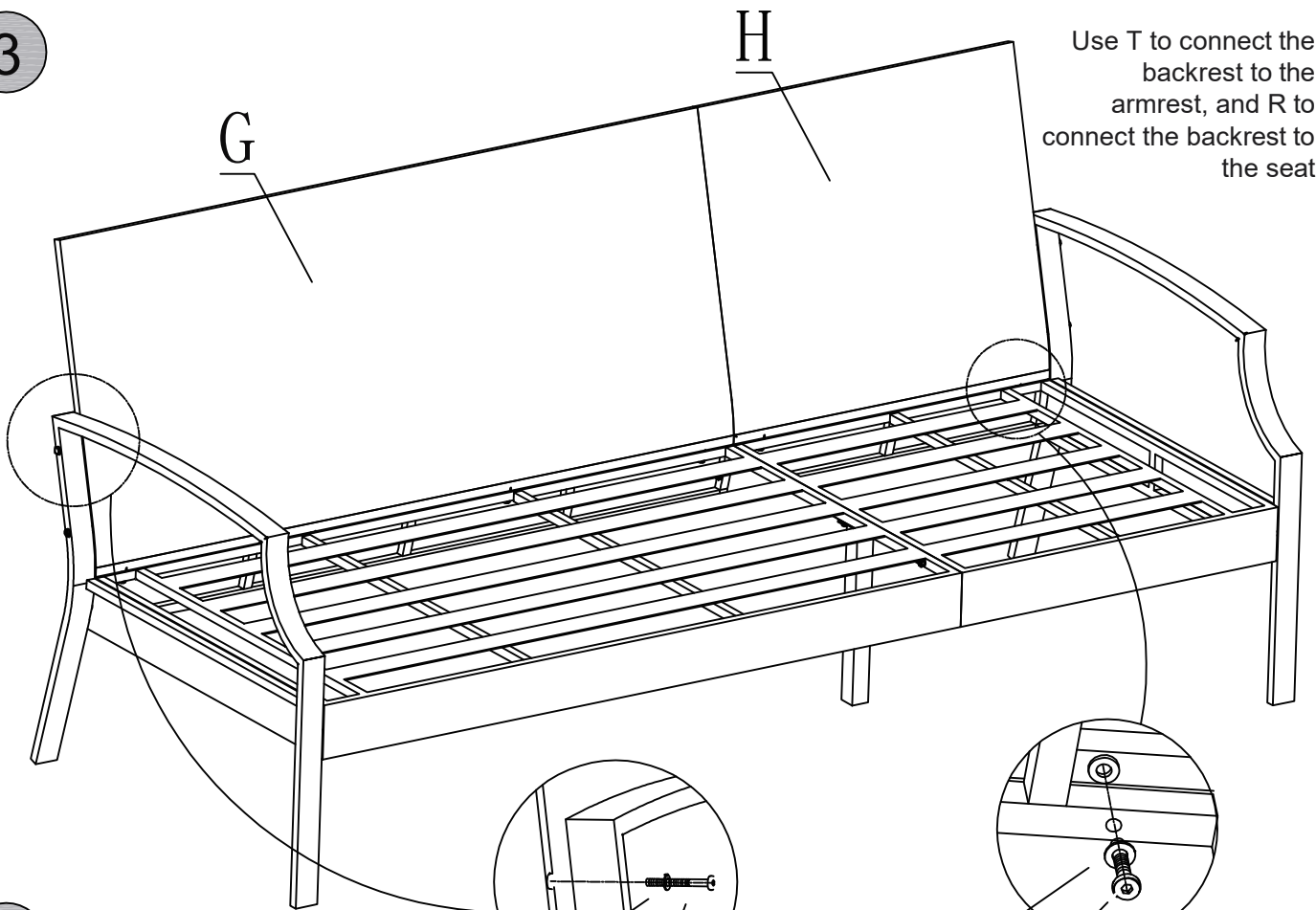
2



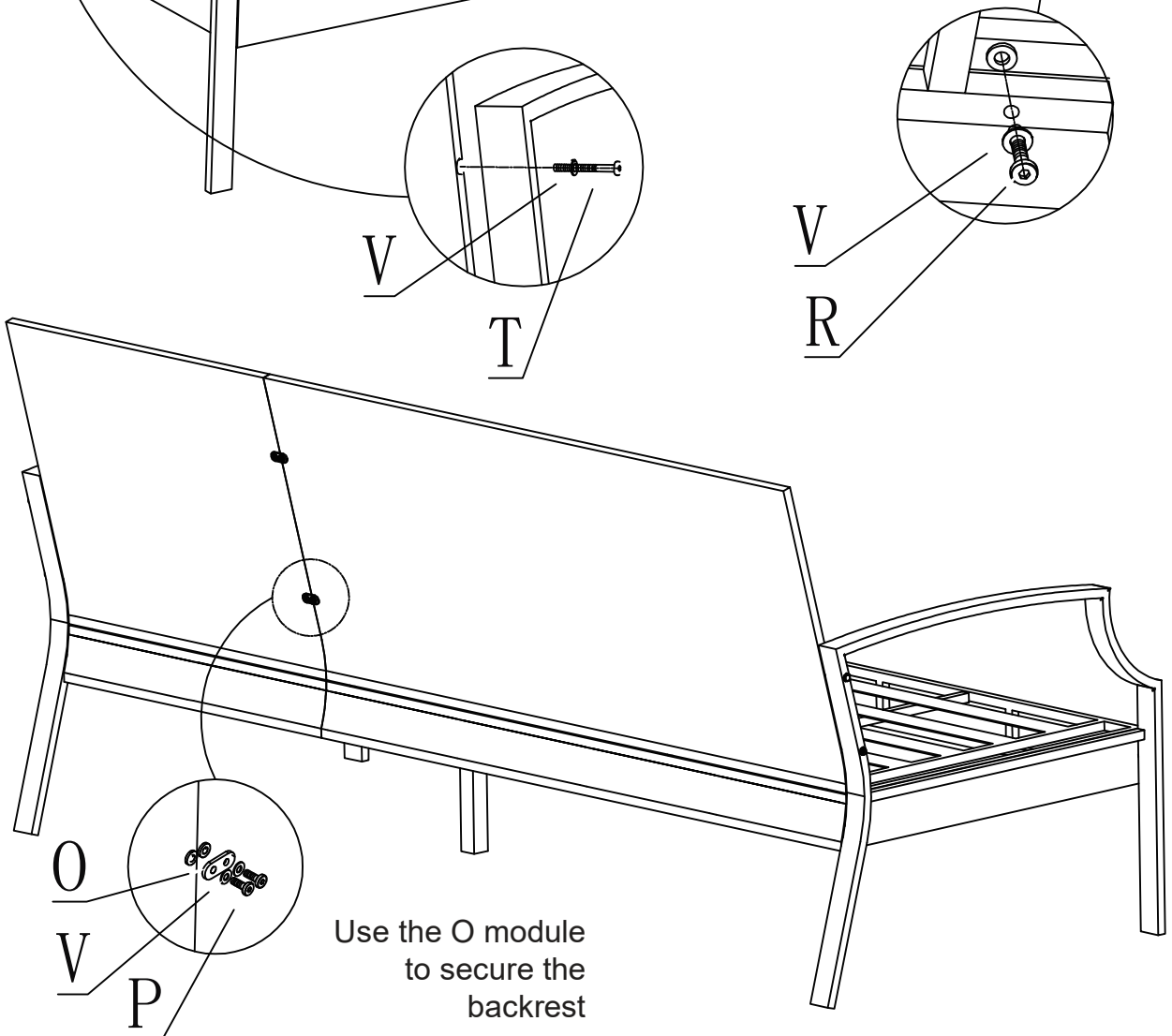
Use S to connect the two parts, and secure the bottom with P to attach the support legs

Assembly

3



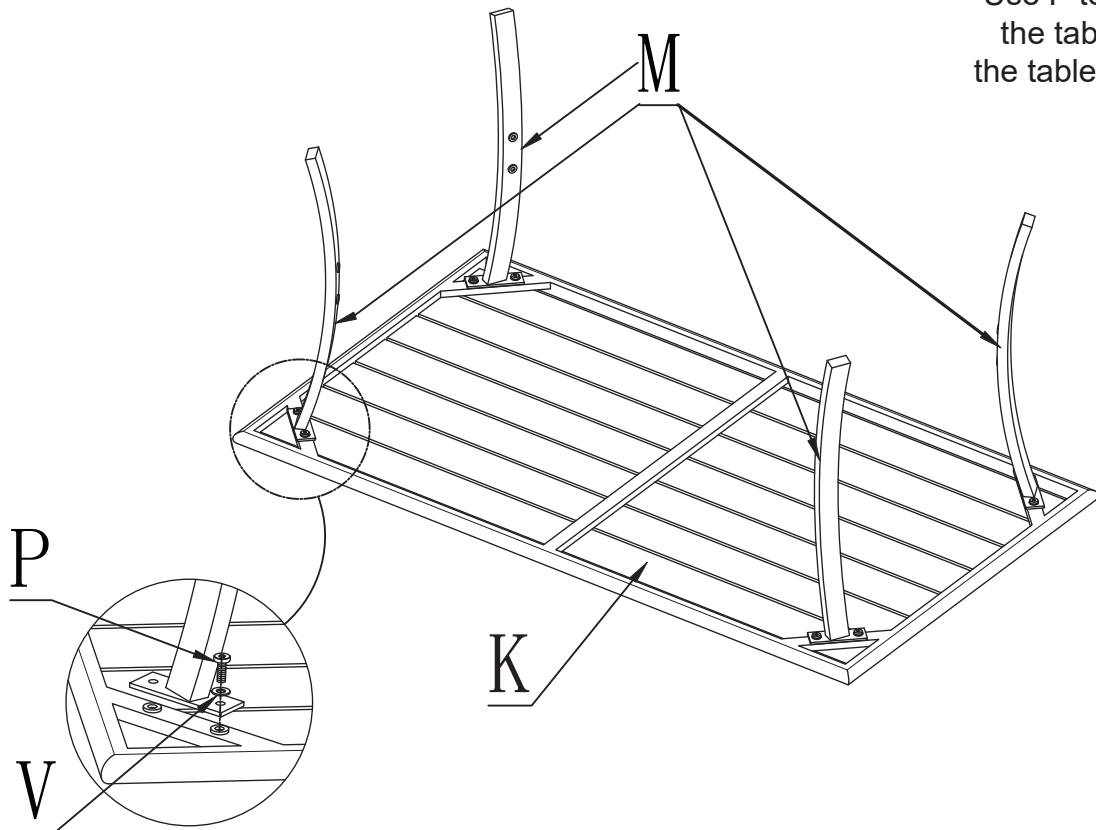
4



Assembly

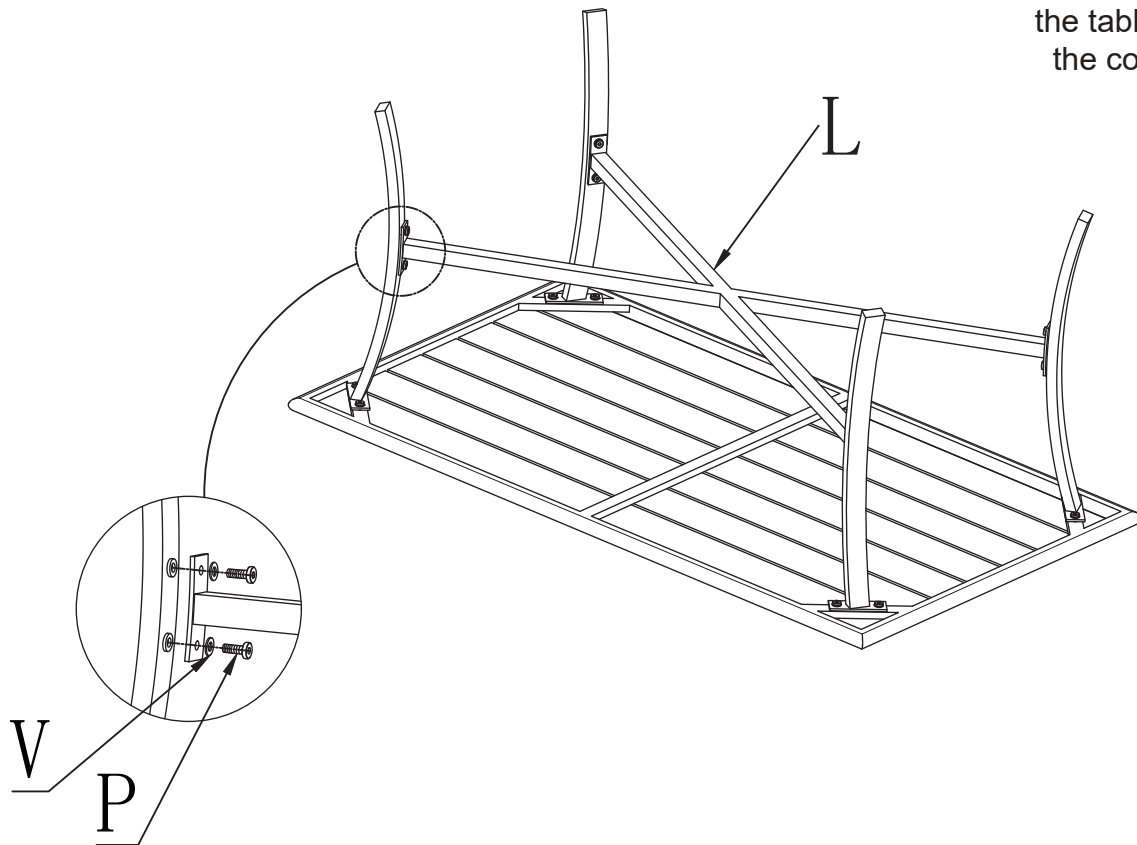
1

Use P to connect the table legs to the tabletop.



2

Use P to secure the table legs to the connecting bars



Finished

