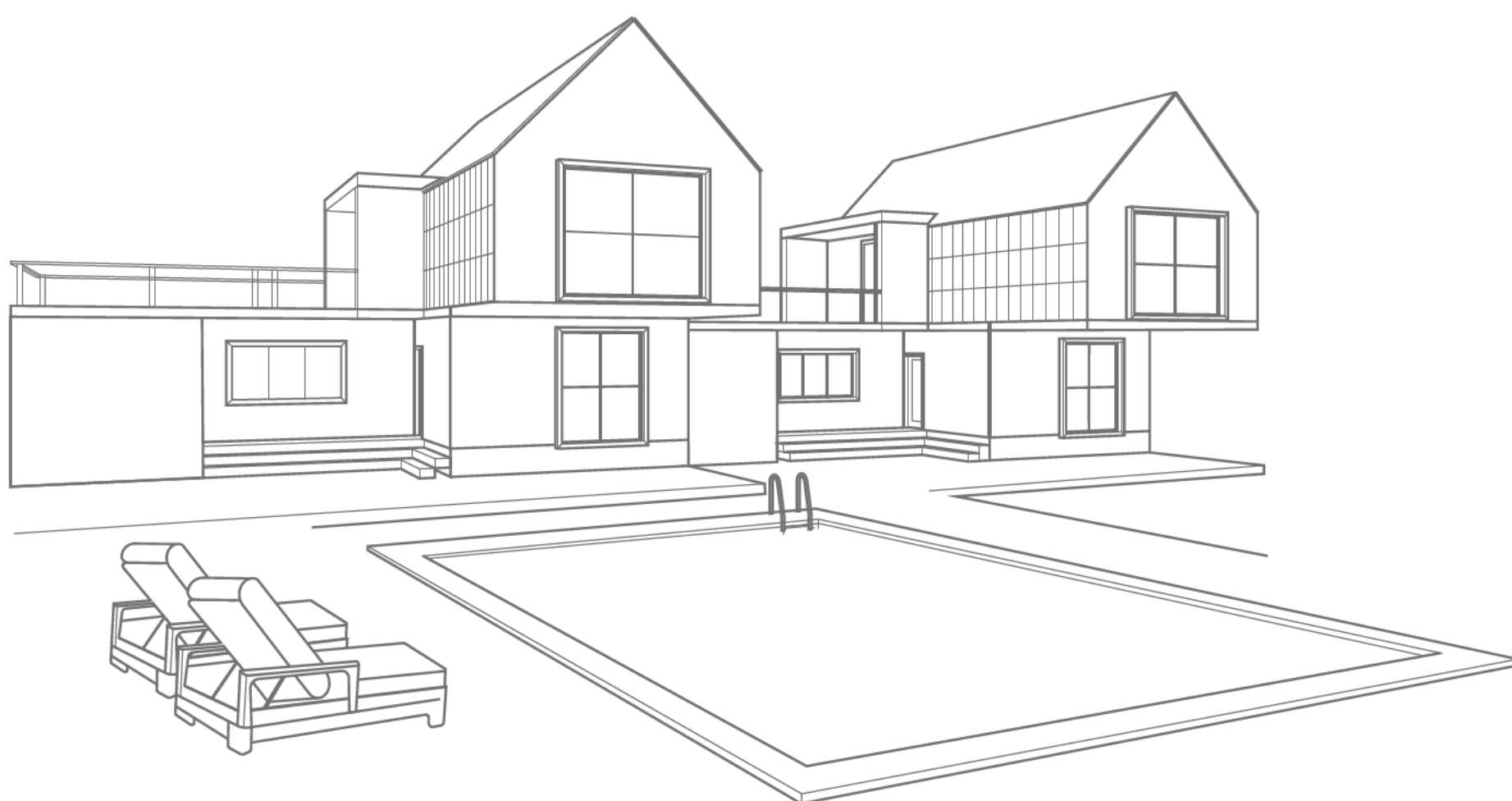


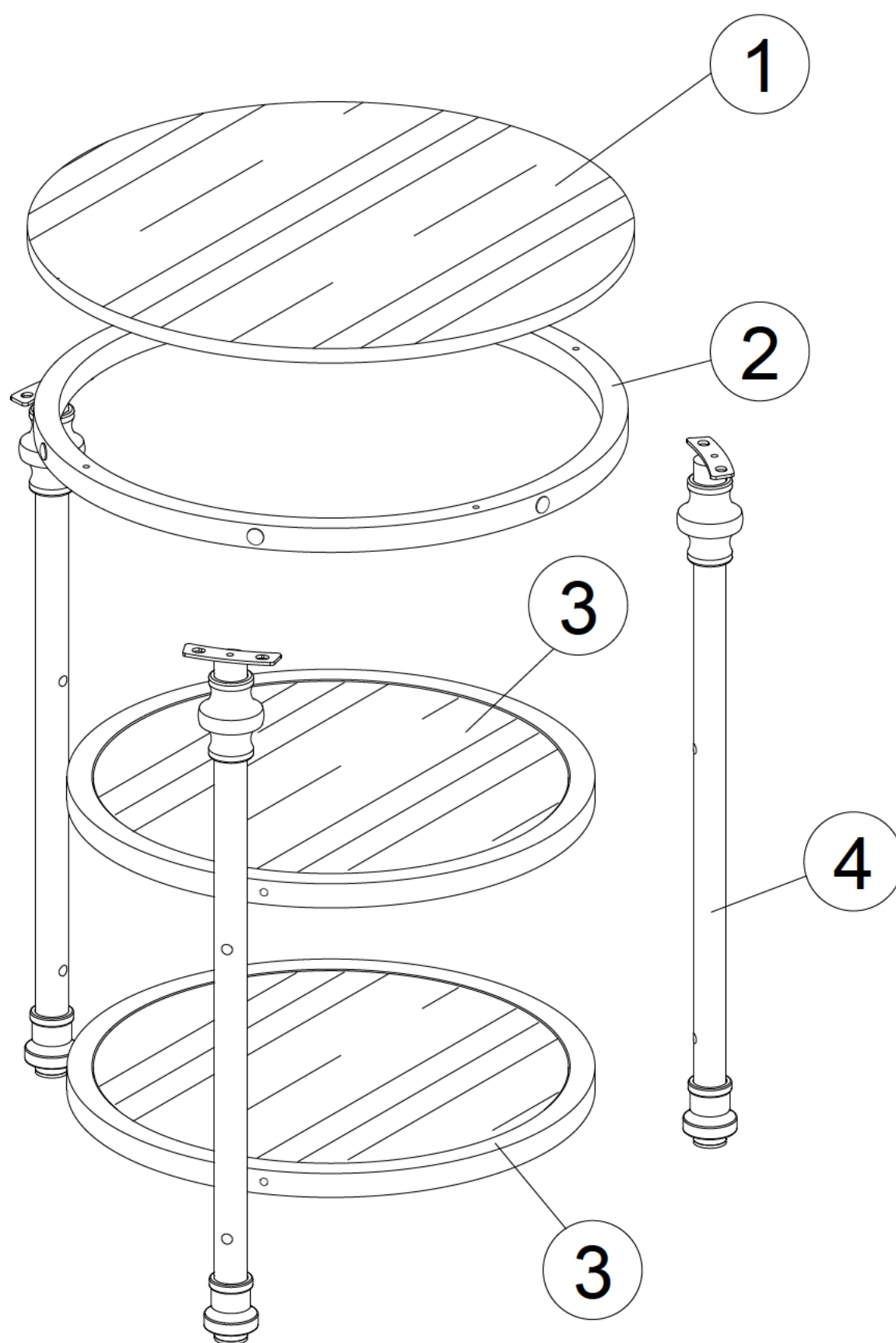
Round Side Table

Product ID. MJ7C5

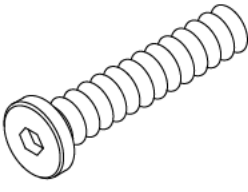
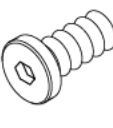
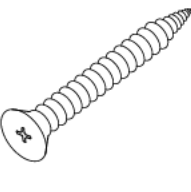
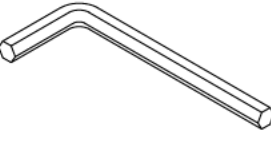


COMPONENTS ID Nr.

Part Nr.	Qty
1	1pc
2	1pc
3	2pcs
4	3pcs

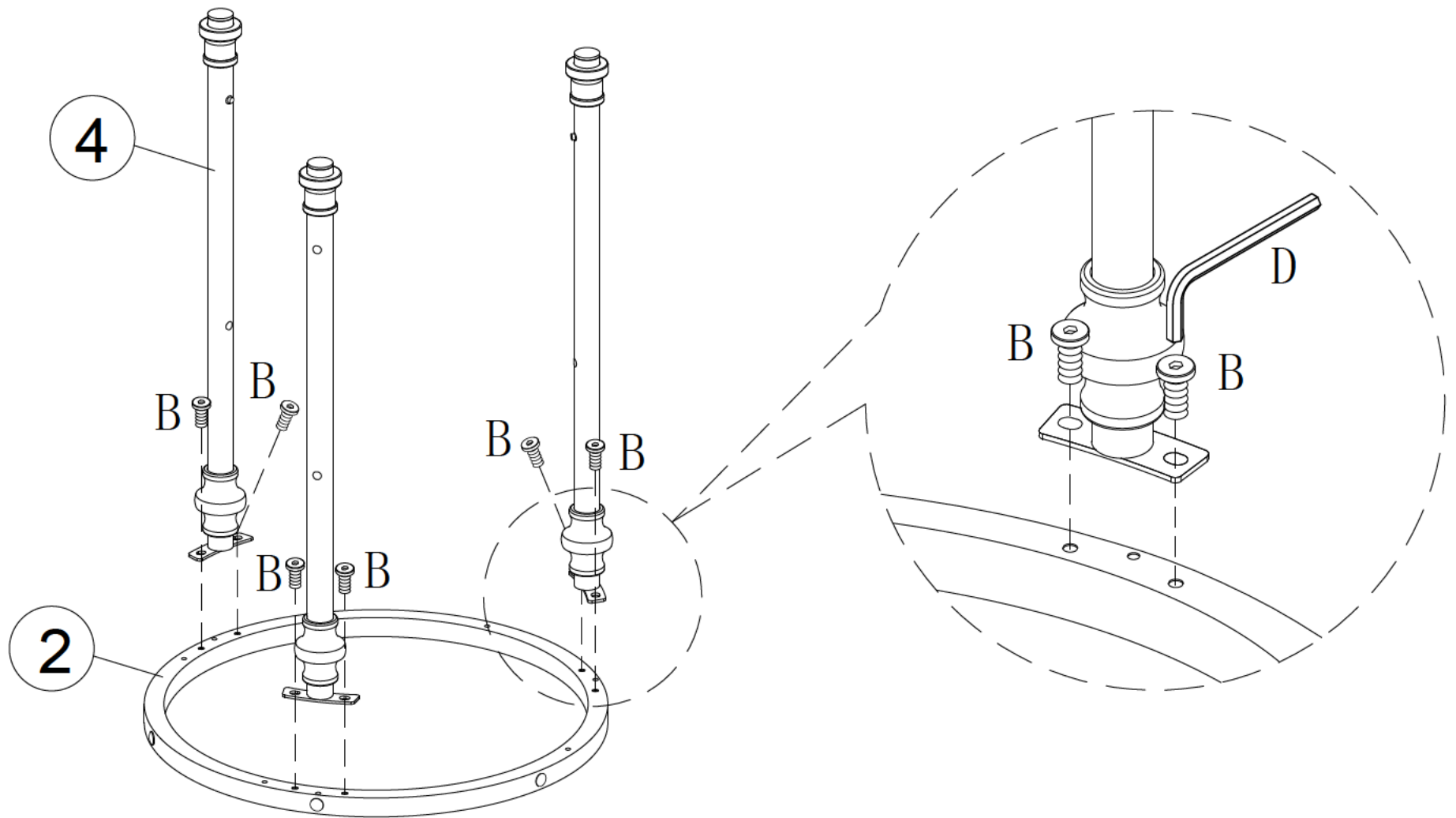


HARDWARE LIST

<p>Ⓐ x6</p>  <p>M6x35mm</p>	<p>Ⓑ x6</p>  <p>M6x12mm</p>	<p>Ⓒ x4</p>  <p>4x30mm</p>	<p>Ⓓ x1</p>  <p>4mm</p>
--	--	---	--

PRODUCT ASSEMBLY

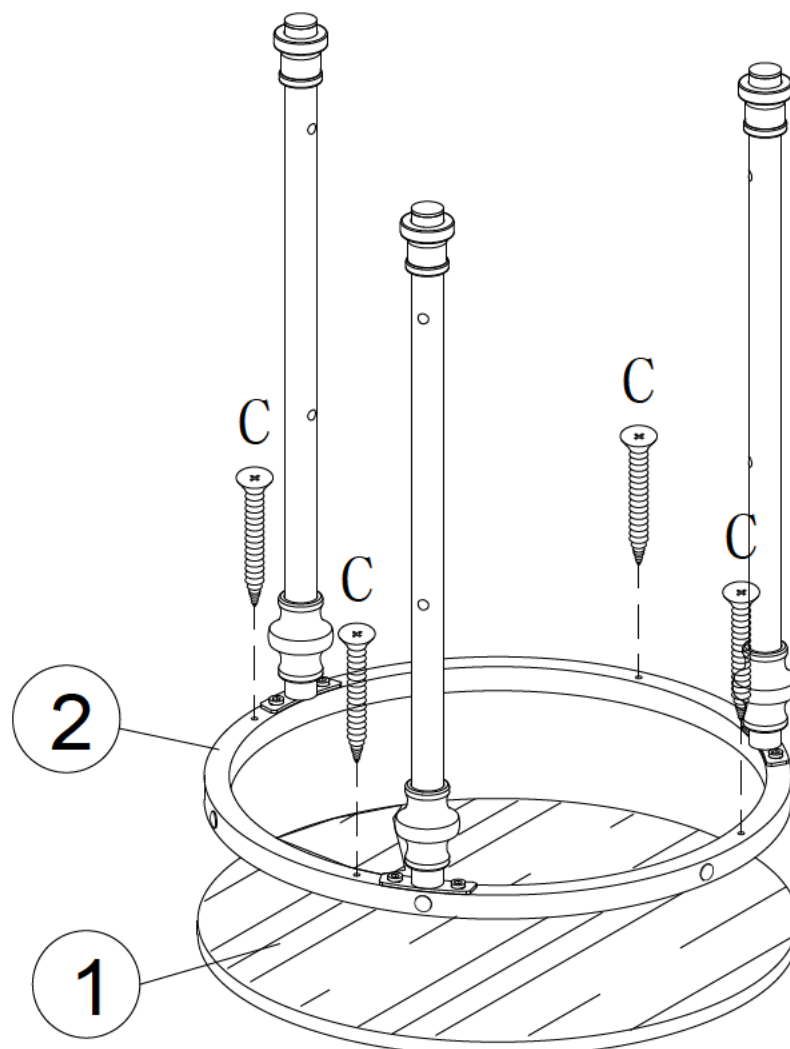
1



2

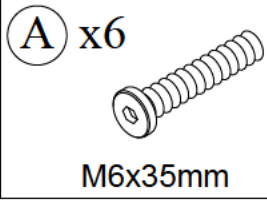


Please keep the distance between the iron ring and the wood board is even then screw in the self-tapping screws(C)

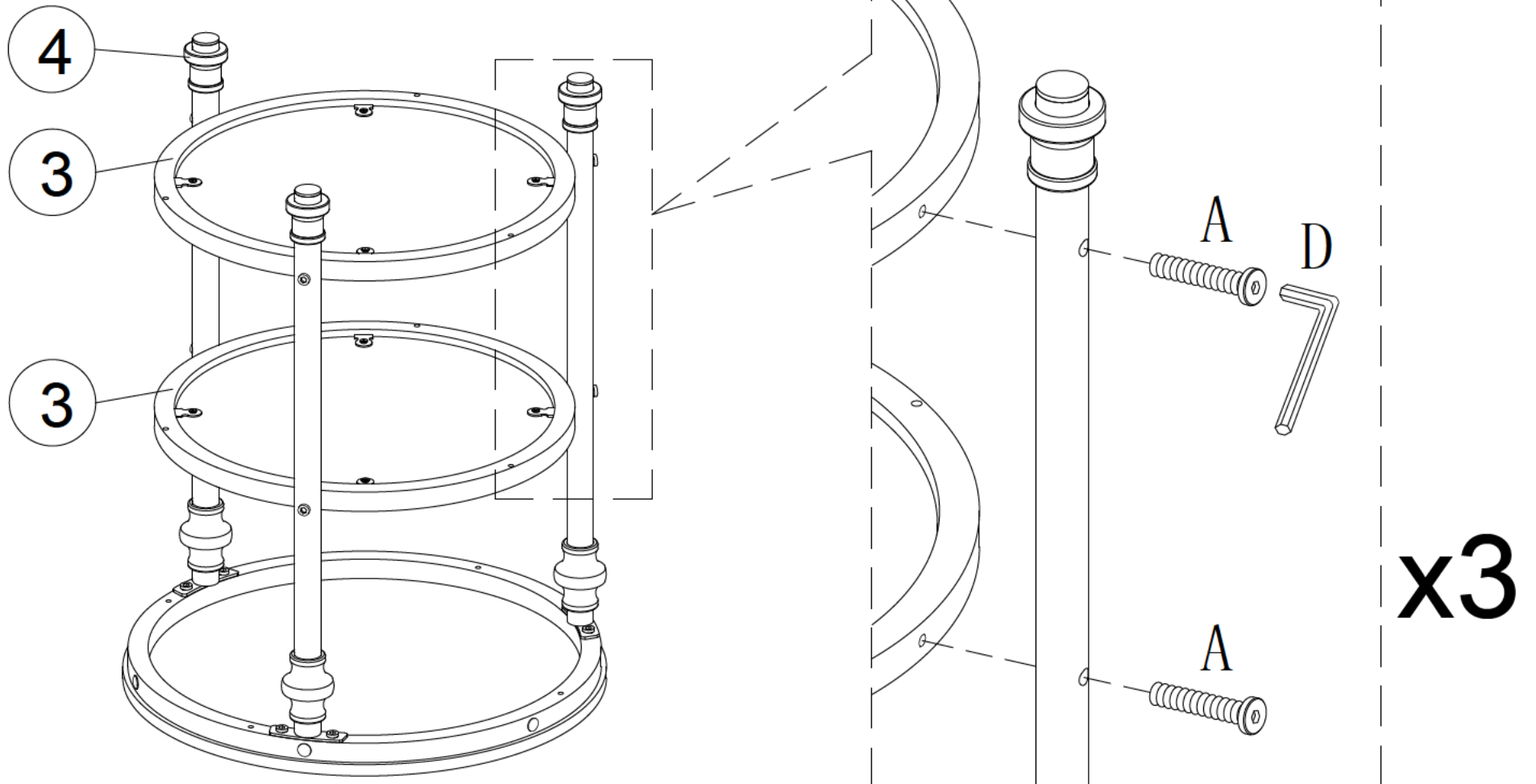


PRODUCT ASSEMBLY

3



Pay Attention to Wood Grain Direction of Top and Shelf.
If need to keep the consistency of the wood grain direction between the top and bottom board, you can adjust by yourself.



4

