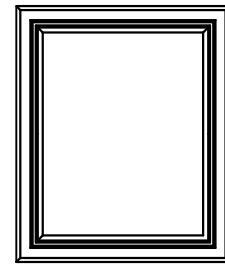


309-040B

Tel: 828-728-3261
www.americandrew.com

TOOLS REQUIRED:

Allen Wrench (supplied, part # D)



BEFORE YOU START:

1. Check the parts against the parts list to make sure all items are present.
2. Assemble your furniture on a soft, flat surface to avoid scratching the finish.
3. CAUTION: Do not over tighten screws, nuts or bolts during assembly.
4. Your furniture may require occasional tightening.

INSTRUCTIONS:

1. The mirror can be hung in either the Horizontal (Figure 1) or Vertical (Figure 2) orientation. Decide the orientation of the mirror before installation.

2. Put the mirror on top of the dresser, align the holes on the wood supports with the inserts pre-installed on the back of the dresser. Connect the wood supports to dresser by using Flat Washer (A), Lock Washer (B), Bolt (C) and tighten with Allen Wrench (D). As shown on Figure 1 or Figure 2 .

Figure 1 , Horizontal Orientation

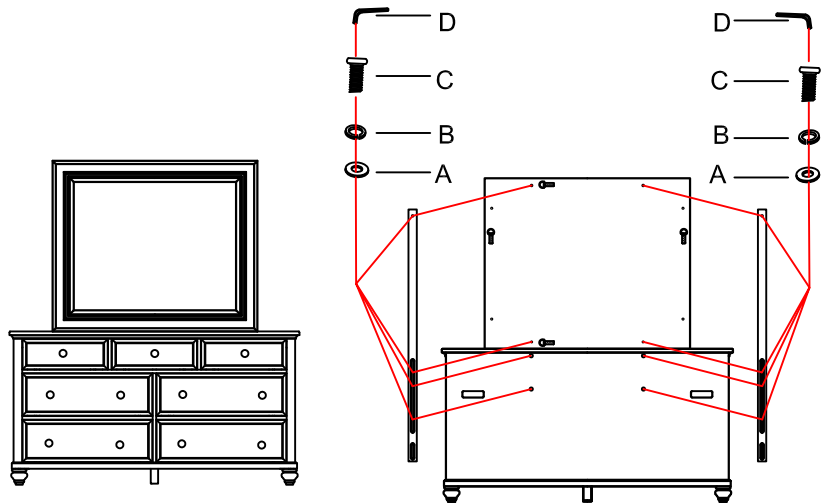
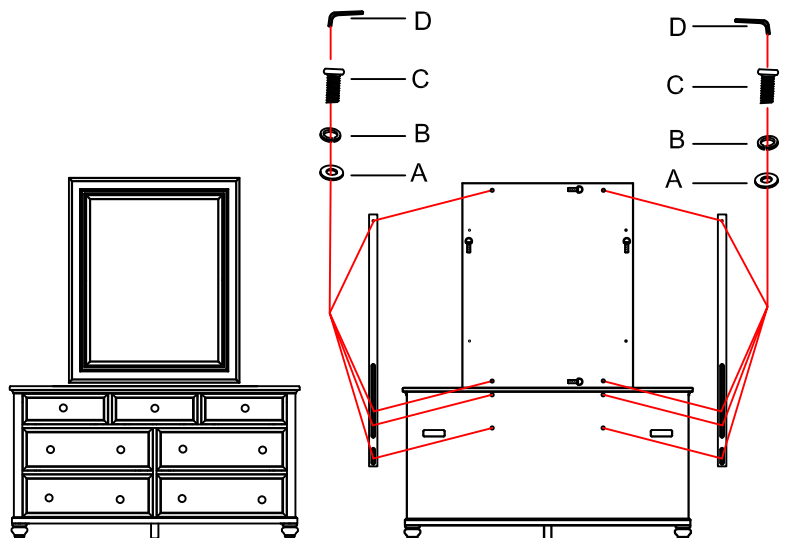


Figure 2 , Vertical Orientation



HARDWARE PACK

NO.	DRAWING	DESCRIPTION	SIZE	Q'ty
A		Flat washer	Ø5/16"	8PCS
B		Lock washer	Ø5/16"	8PCS
C		Bolt	5/16"x 1 1/2"	8PCS
D		Allen Wrench	100x50x4mm	1PC

Thank you for purchasing furniture
from american drew!