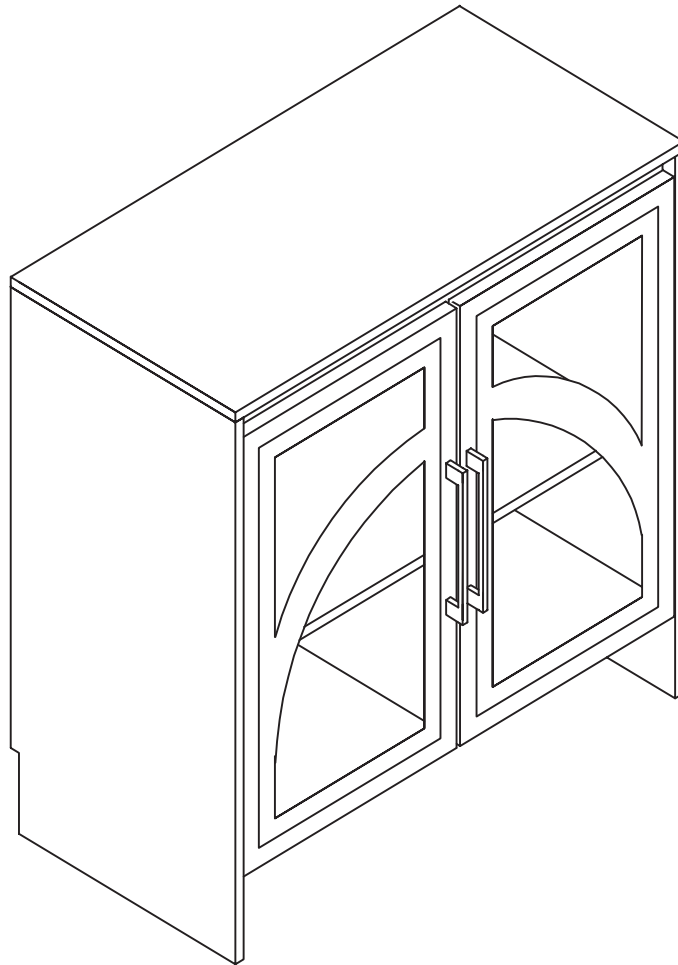


## Sideboard

---



Please make sure to read the instruction manual carefully before installing the product.

---

### Do Not Return This Product!

Contact our customer service team  
for help first.

## WARNING

- Unit can tip over causing severe injury or death.
- Anchor unit to stud in wall ( if instructed to )
- Do Not allow children to climb on unit.
- put heavy items on lower shelves or drawers.

**PEOPLE NEEDED  
FOR ASSEMBLY:2**

## CONTACT US!

### Do NOT return this product!

Contact our friendly customer service team first for help.

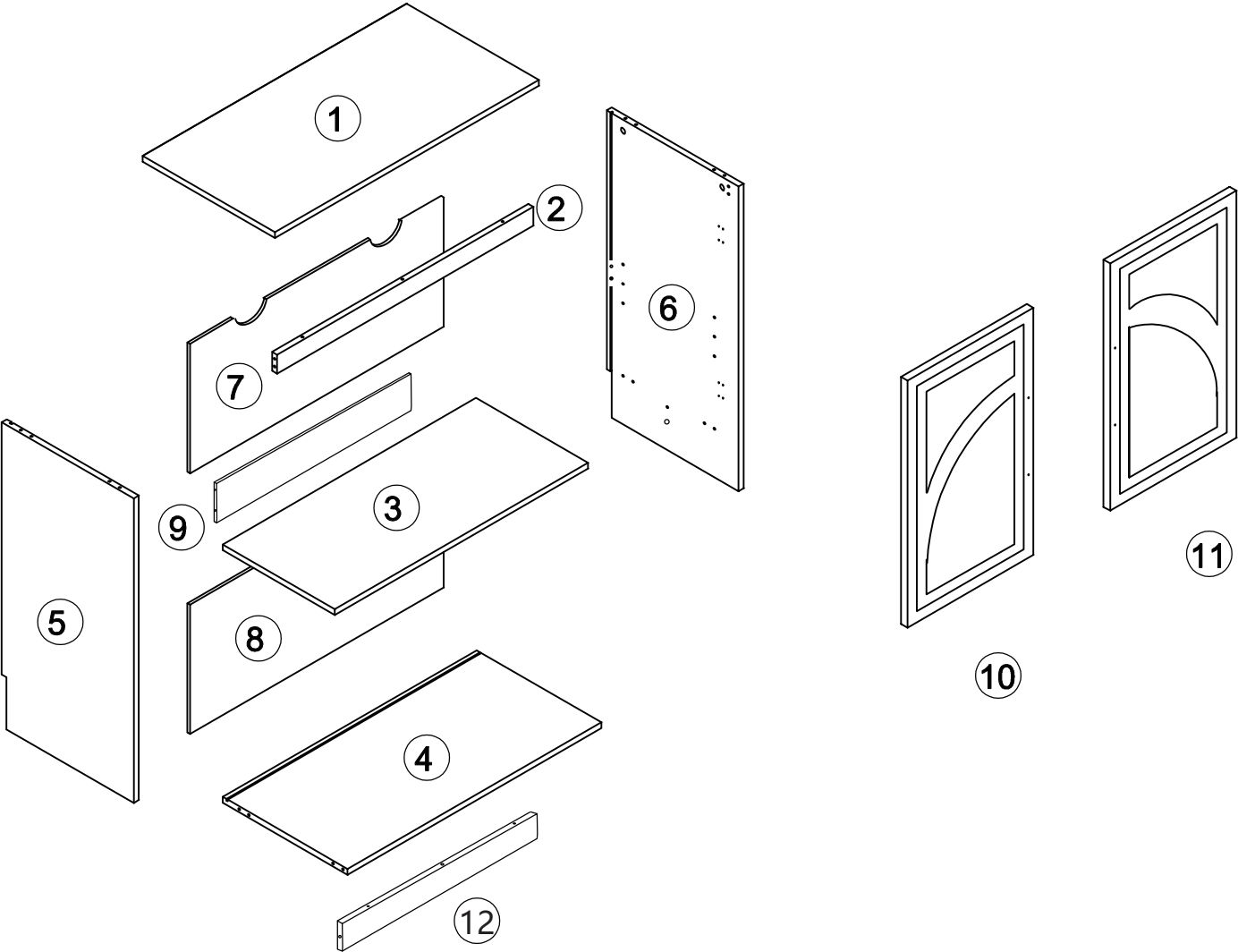
- Open your item in the area you plan to keep it to avoid excessive heavy lifting.
- Identify, sort and count the parts before attempting assembly.
- Back panel must be used to make sure your unit is sturdy.
- Do NOT use harsh chemicals or abrasive cleaners on this item.
- Never push,pull,or drag your furniture.



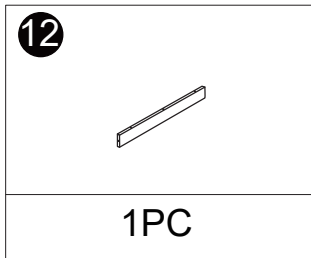
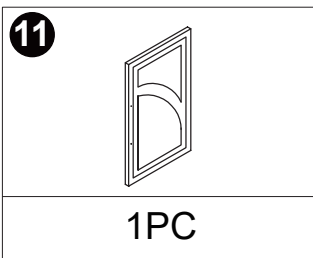
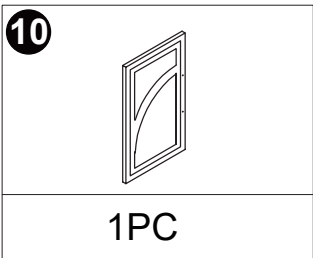
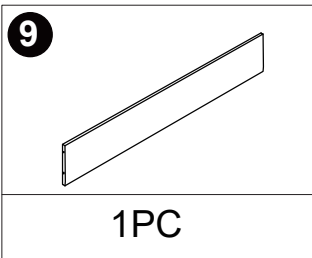
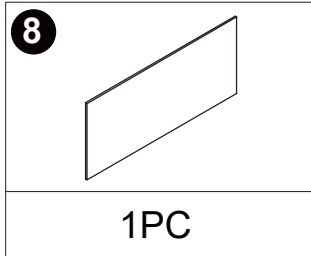
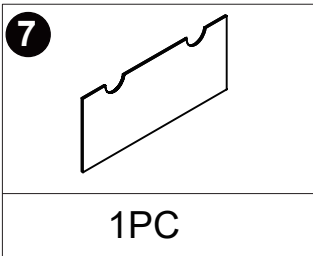
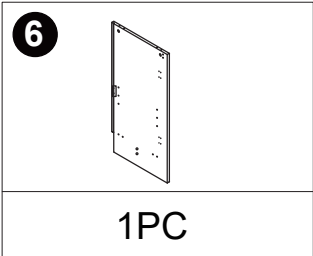
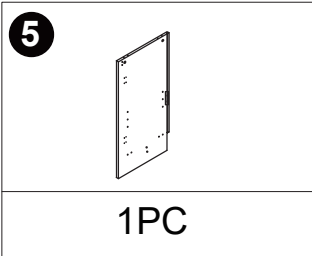
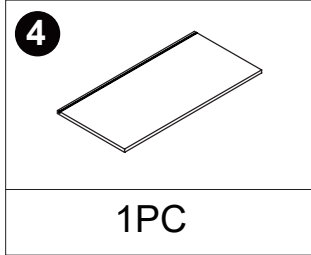
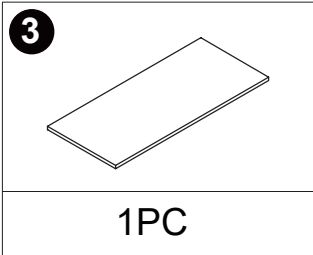
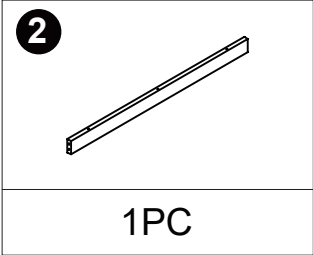
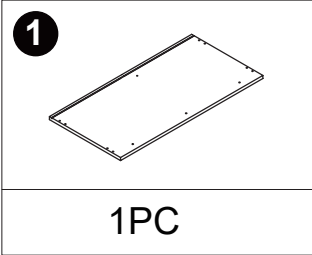
## BEFORE YOU START

- Read through each step carefully and follow the proper order
- Separate and count all your parts and hardware
- Give yourself enough room for the assembly process
- Have the following tools:Flat Head Screwdriver,#2 Phillips Head Screwdriver and Hammer
- Caution: IF using a power drill or power screwdriver for screwing,please be aware to slow down and stop when screw is tight.Failure to do so may result in stripping the screw.

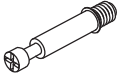



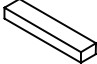
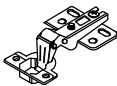


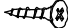

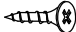
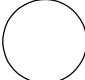



# BOARD IDENTIFICATION



# BOARD IDENTIFICATION



# THE HARDWARE

<b>A</b> x22	<b>B</b> x22	<b>C</b> x12	<b>D</b> x8	<b>E</b> x4
				
Cam Bolt	Cam Lock	Wood Dowel	wedge	Pads
Ø6x35mm	Ø15x12mm	Ø6x30mm		
<b>F</b> x4	<b>G</b> x4	<b>H</b> x2	<b>I</b> x8	<b>J</b> x4
				
Hinge	shelf Support	Handle	Screw	Bolt
			Ø3x14mm	Ø4x25mm
<b>K</b> x24	<b>L</b> x4	<b>M</b> x2	<b>N</b> x2	<b>P</b> x4
				
Screw	Cover	safety bracket kit	Wall Anchor	safety
Ø3.5x16mm				

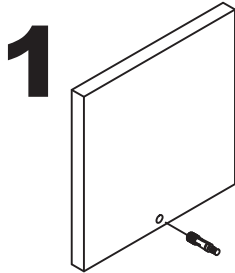
## IMPORTANT :



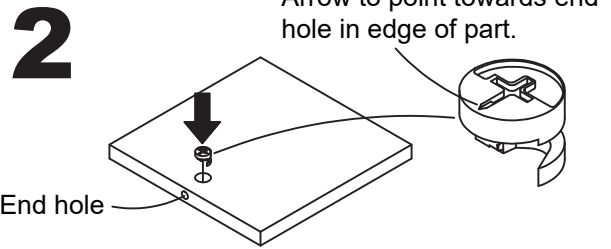
1. Do not tighten bolts / screws completely until all bolts / screws are lined up and inserted into holes.
2. Do not over tighten screws and bolts to avoid stripping.
3. Please use hand tools to assemble this product. Do not use power tools.

# CAM LOCK FASTENING SYSTEM

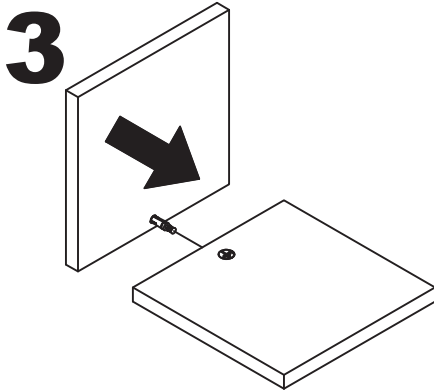
This Cam Lock Fastening System will be used throughout the assembly process.



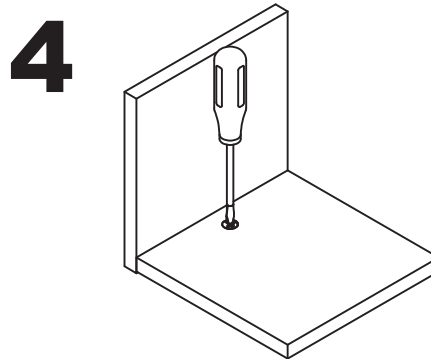
**1**  
Press CAM BOLT into hole.



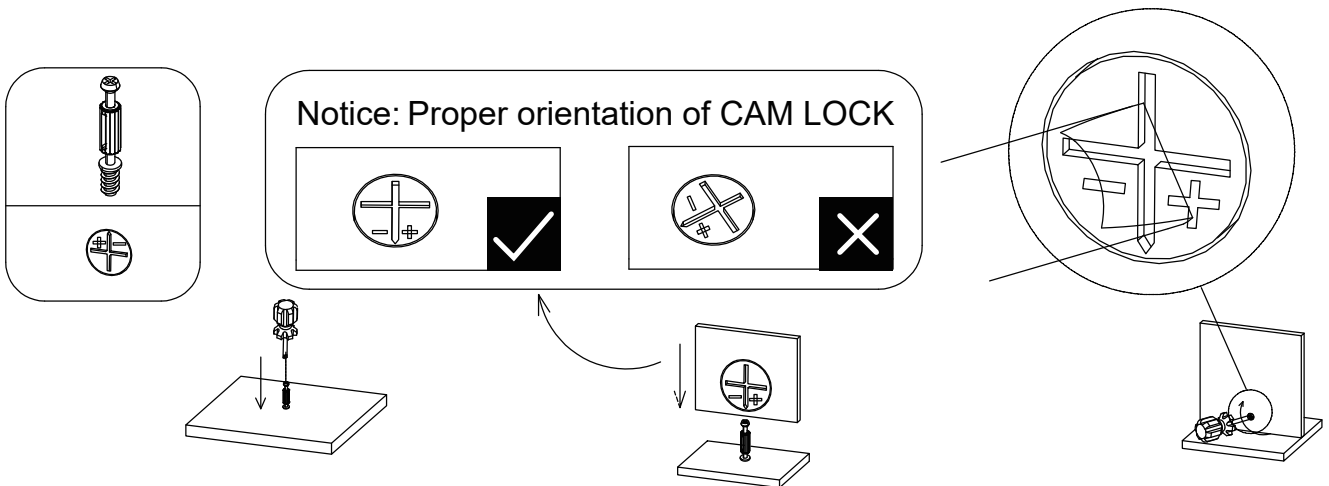
**2**  
Press CAM LOCK into hole.



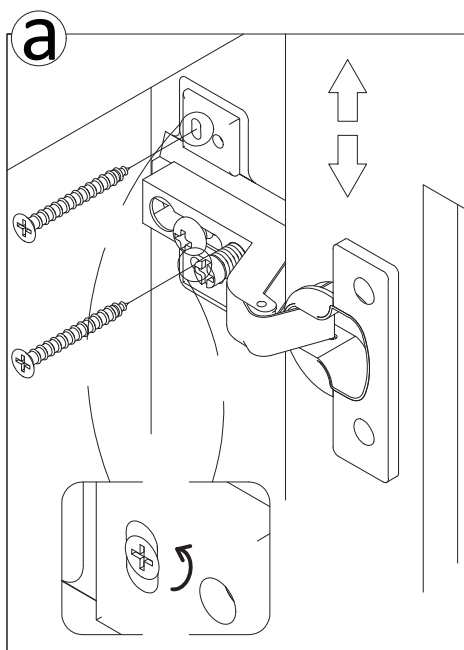
**3**  
Press parts together so CAM BOLT inserts into edge hole.



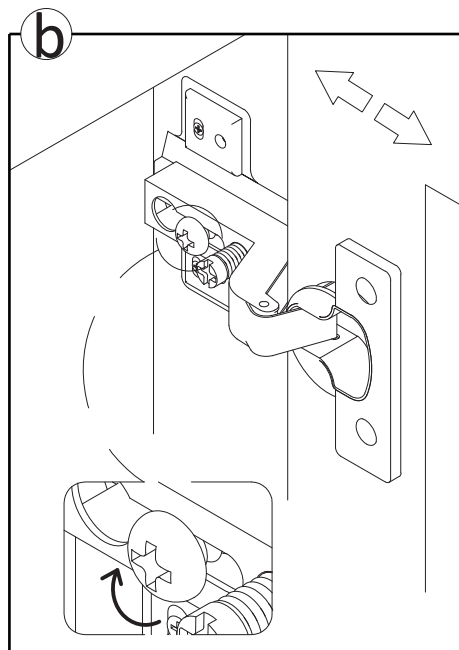
**4**  
Using a screwdriver, turn the CAM LOCK clockwise to lock the CAM LOCK and CAM BOLT into their holes and fastening parts together.



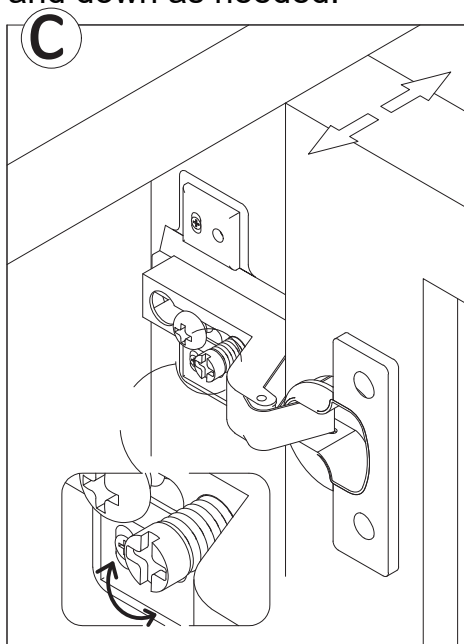
It may be necessary to adjust the hinges so that the doors align. Use the instructions below as a guide.



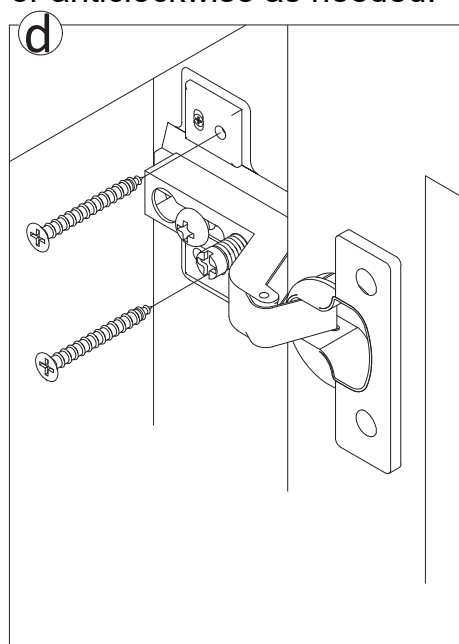
To adjust the door vertically loosen the screw as shown and move up and down as needed.



To adjust the gap from the door to the main frame turn the screw clockwise or anticlockwise as needed.



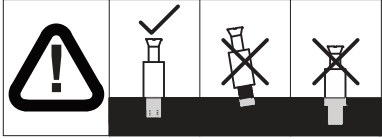
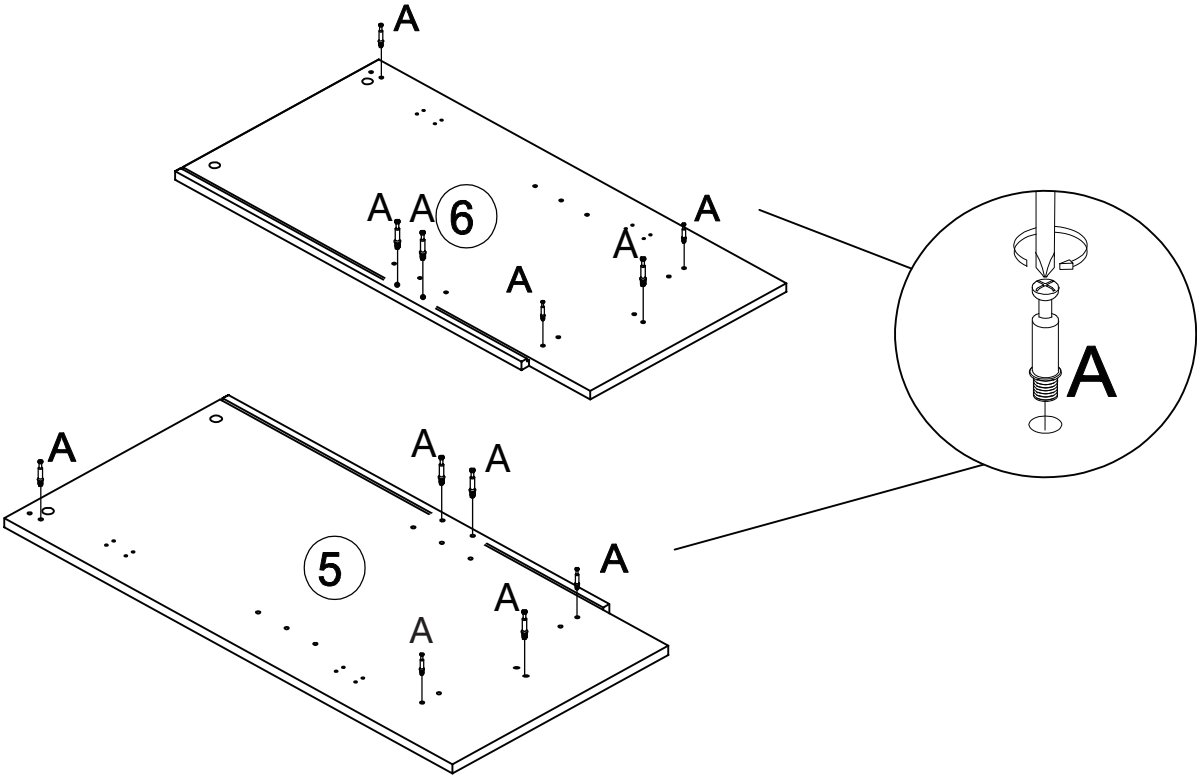
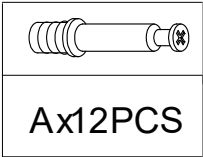
To adjust the door laterally ( such as changing the gap between the two doors), please adjust the screw as shown by turning clockwise or anticlockwise.



Please fix other screws.

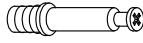

# INSTALLATION STEPS

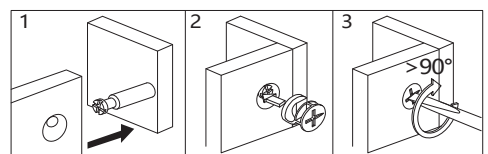
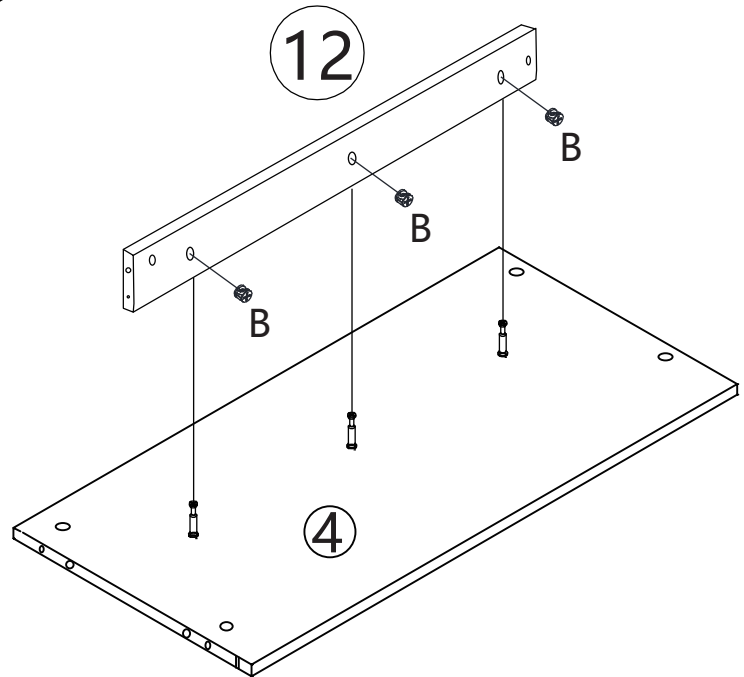
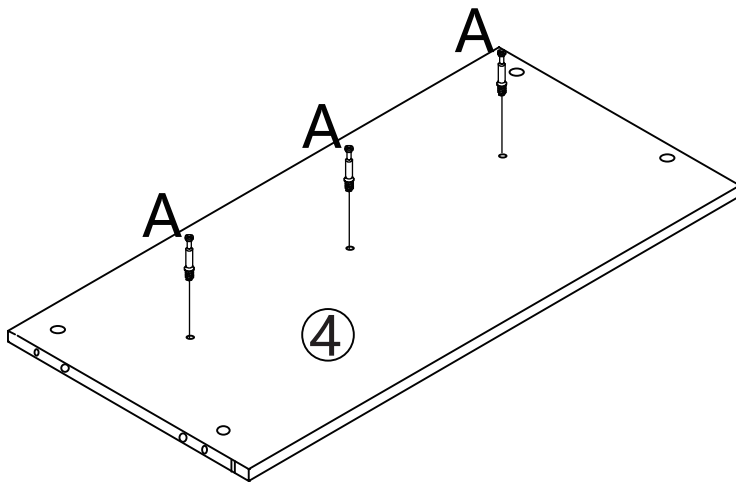
## STEP 1



# INSTALLATION STEPS

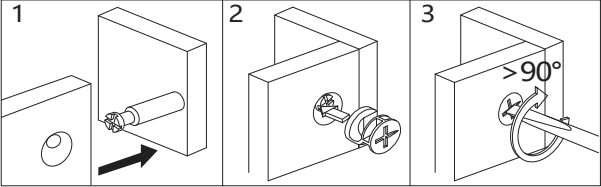
## STEP 2



	
A x3PCS	B x3PCS

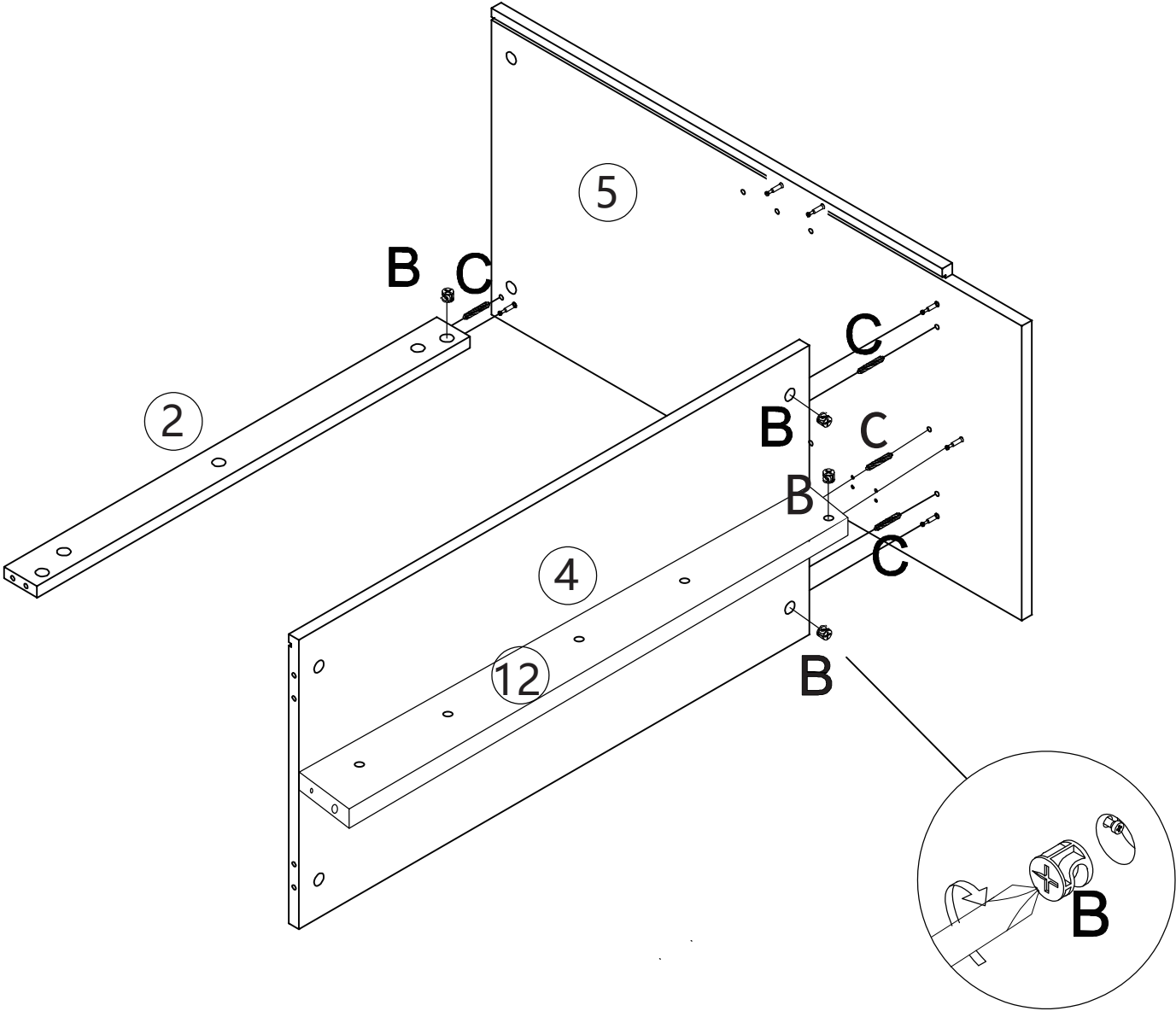


# INSTALLATION STEPS

## STEP 3

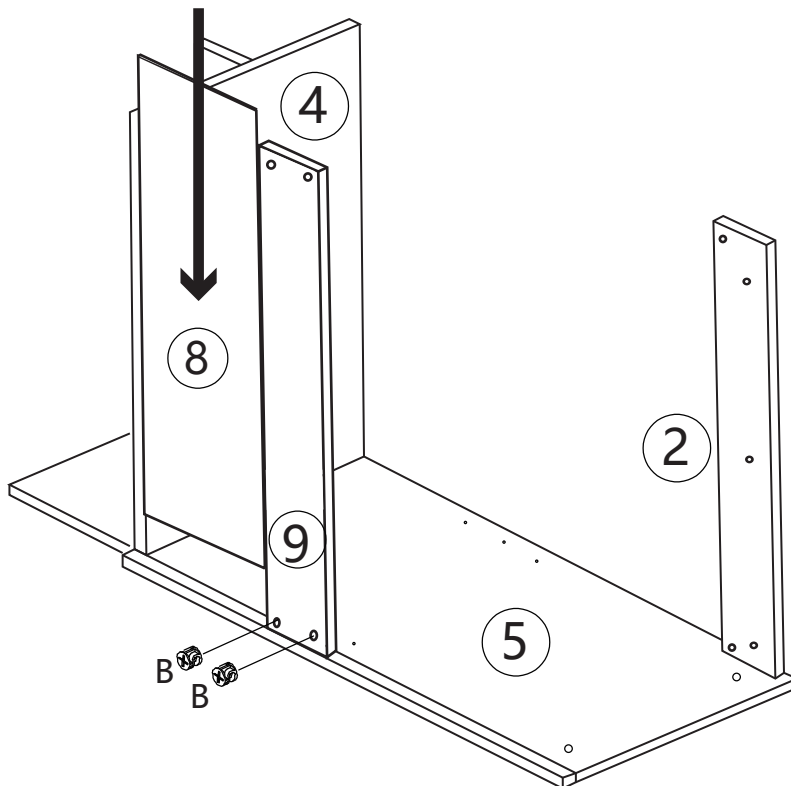
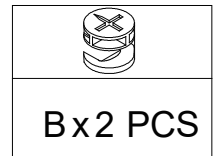
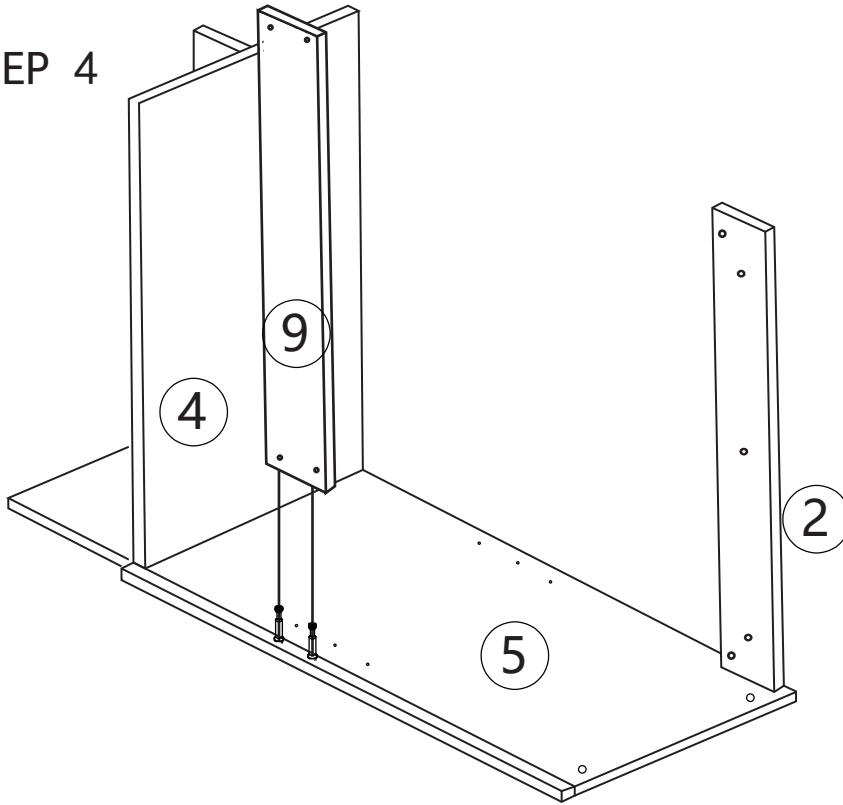


	
C x 4PCS	B x 4PCS





# INSTALLATION STEPS

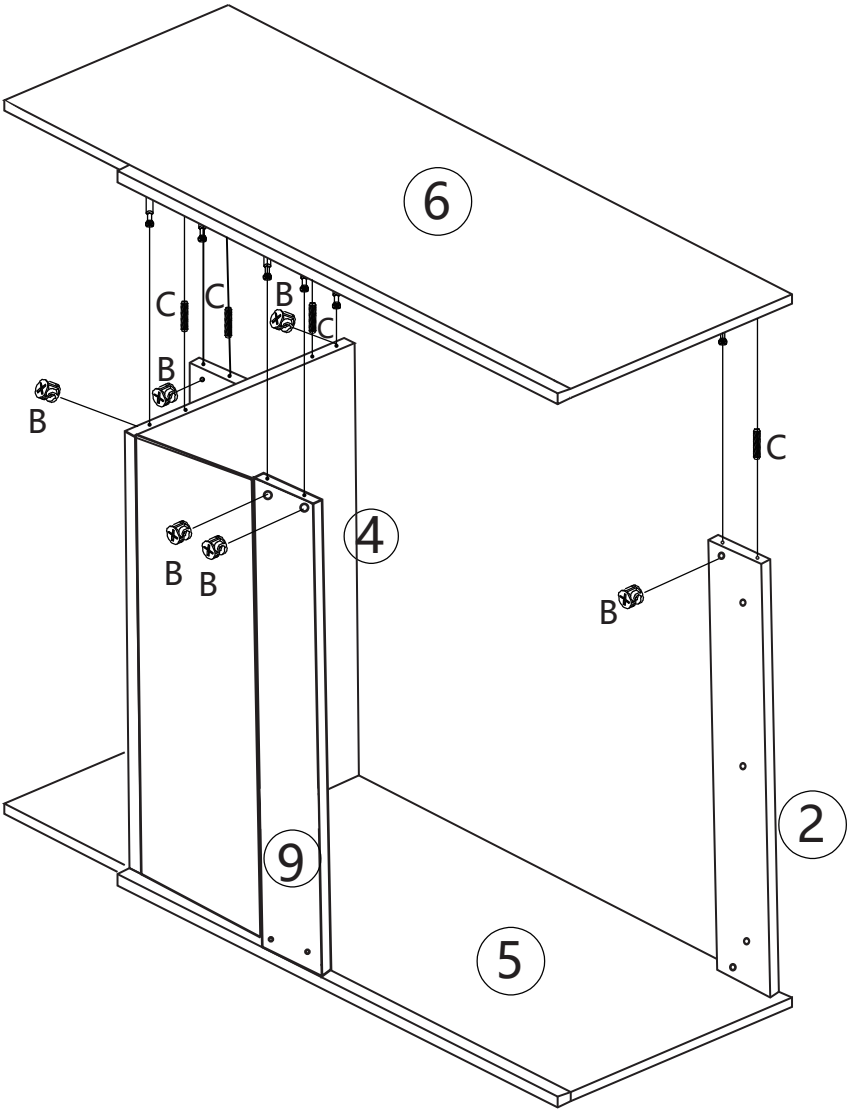
## STEP 4



# INSTALLATION STEPS

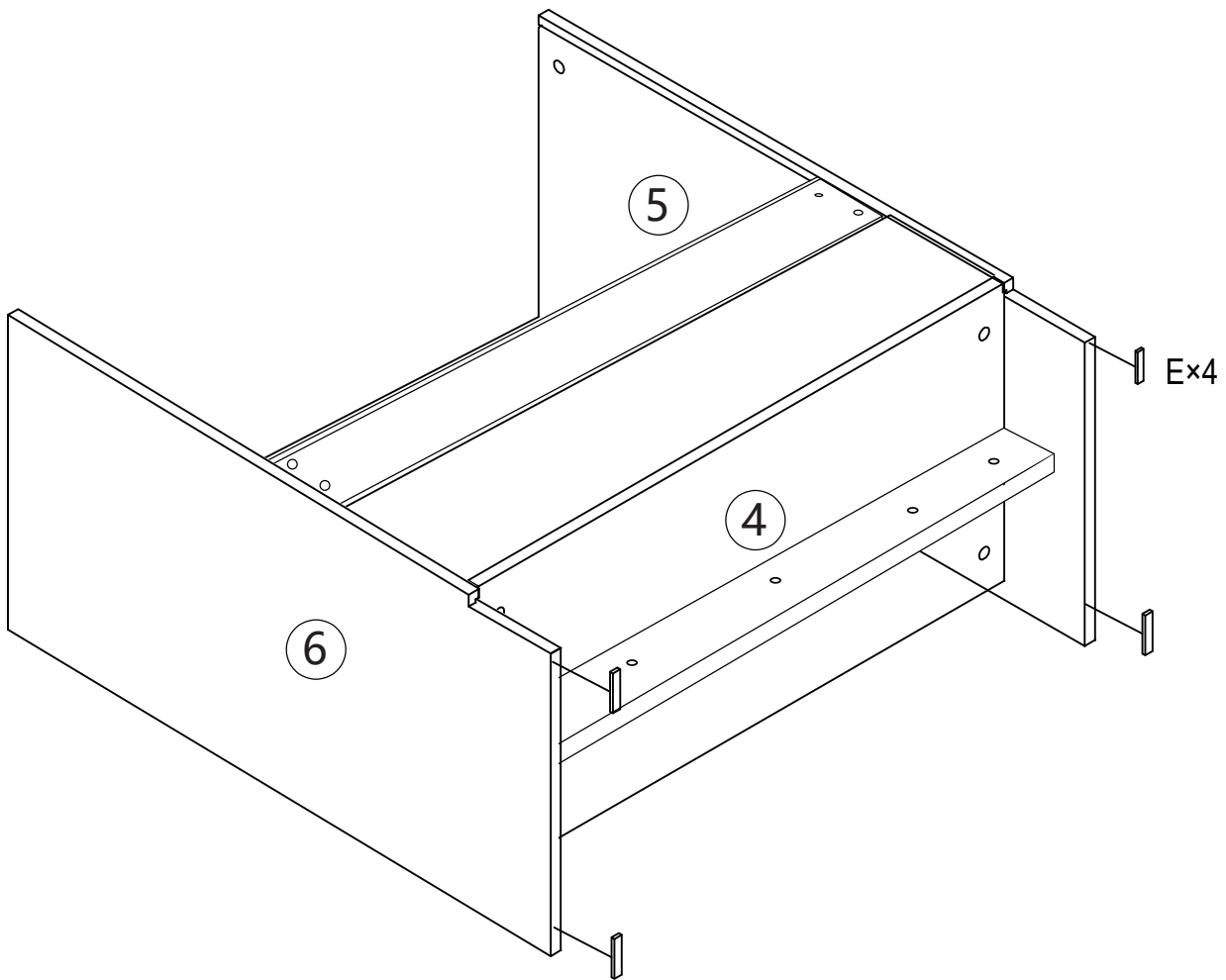
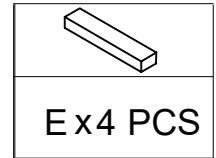
## STEP 5

	
C x4 PCS	B x6 PCS



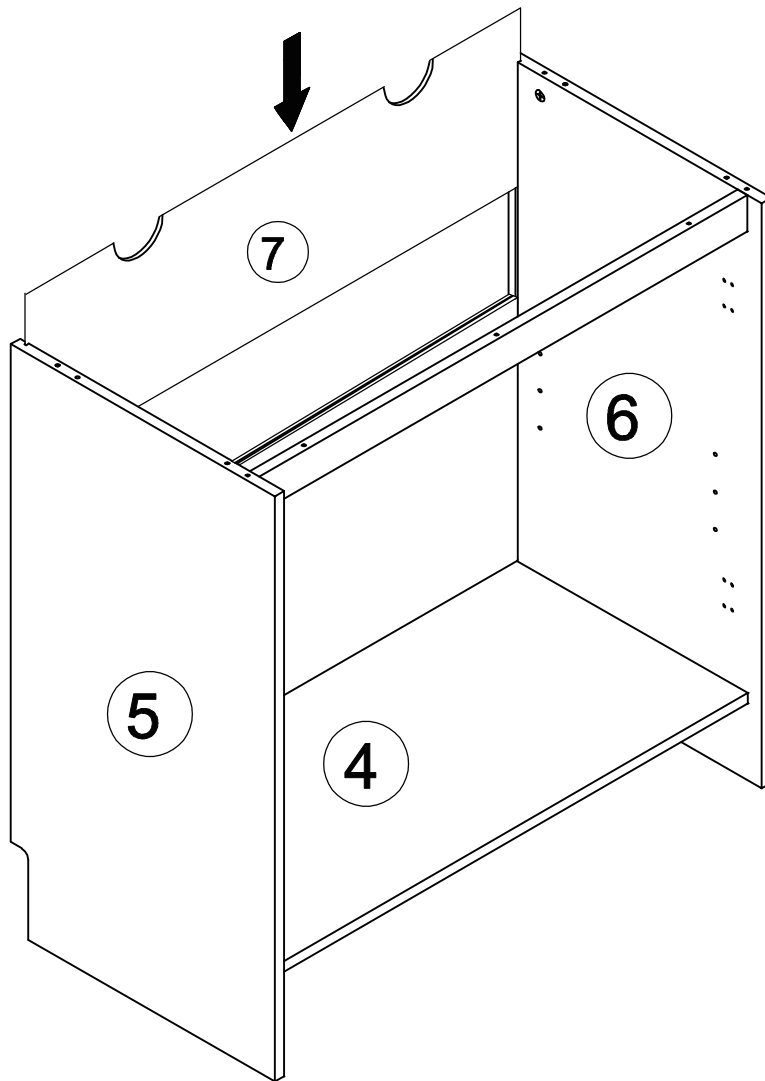
# INSTALLATION STEPS

## STEP 6





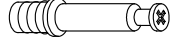


## INSTALLATION STEPS

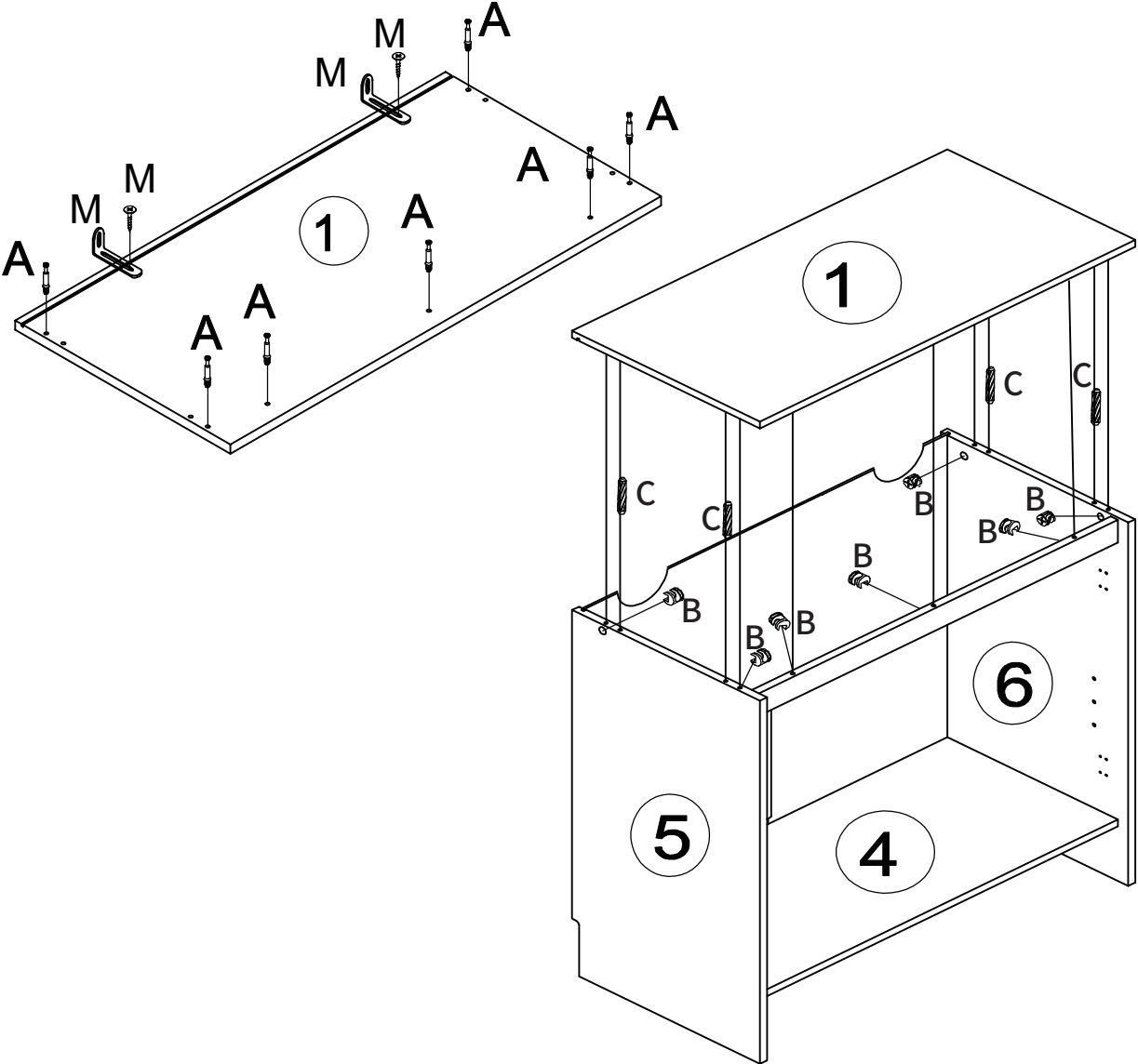
### STEP 7



# INSTALLATION STEPS


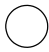
## STEP 8

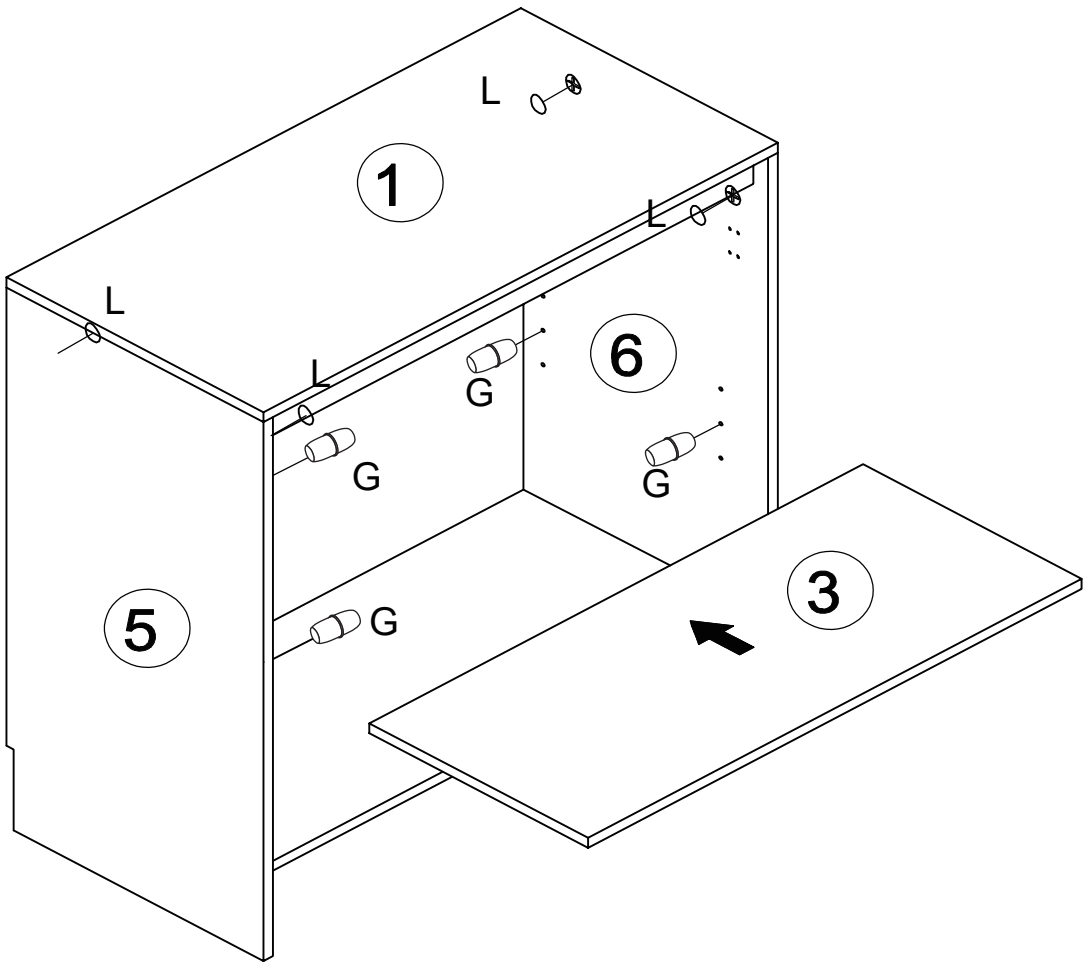
				
M x2PCS	A x7PCS	A x7PCS	B x7PCS	C x4PCS



# INSTALLATION STEPS

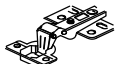

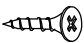

## STEP 9

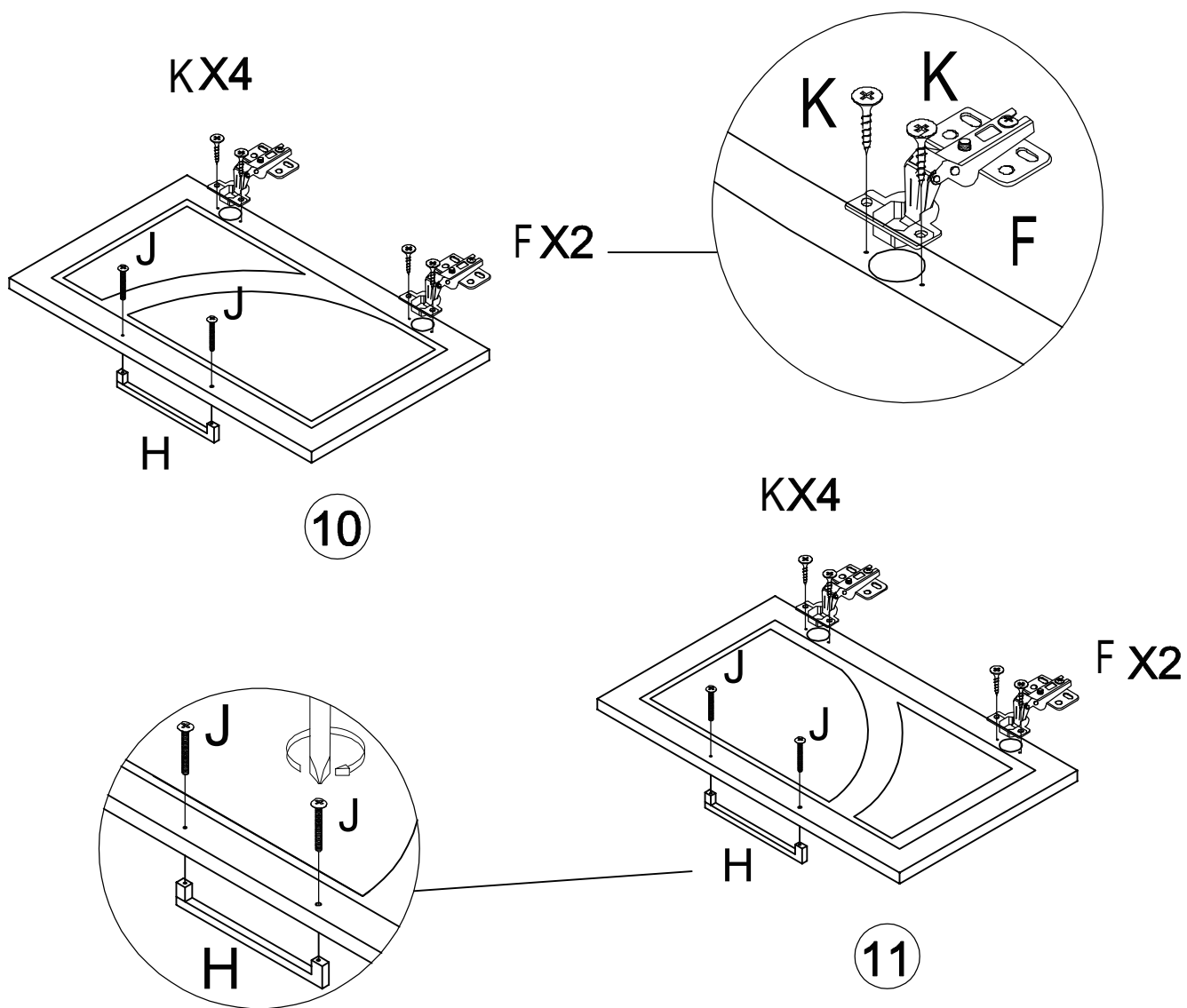
	
G x4PCS	L x4PCS



# INSTALLATION STEPS



## STEP 10

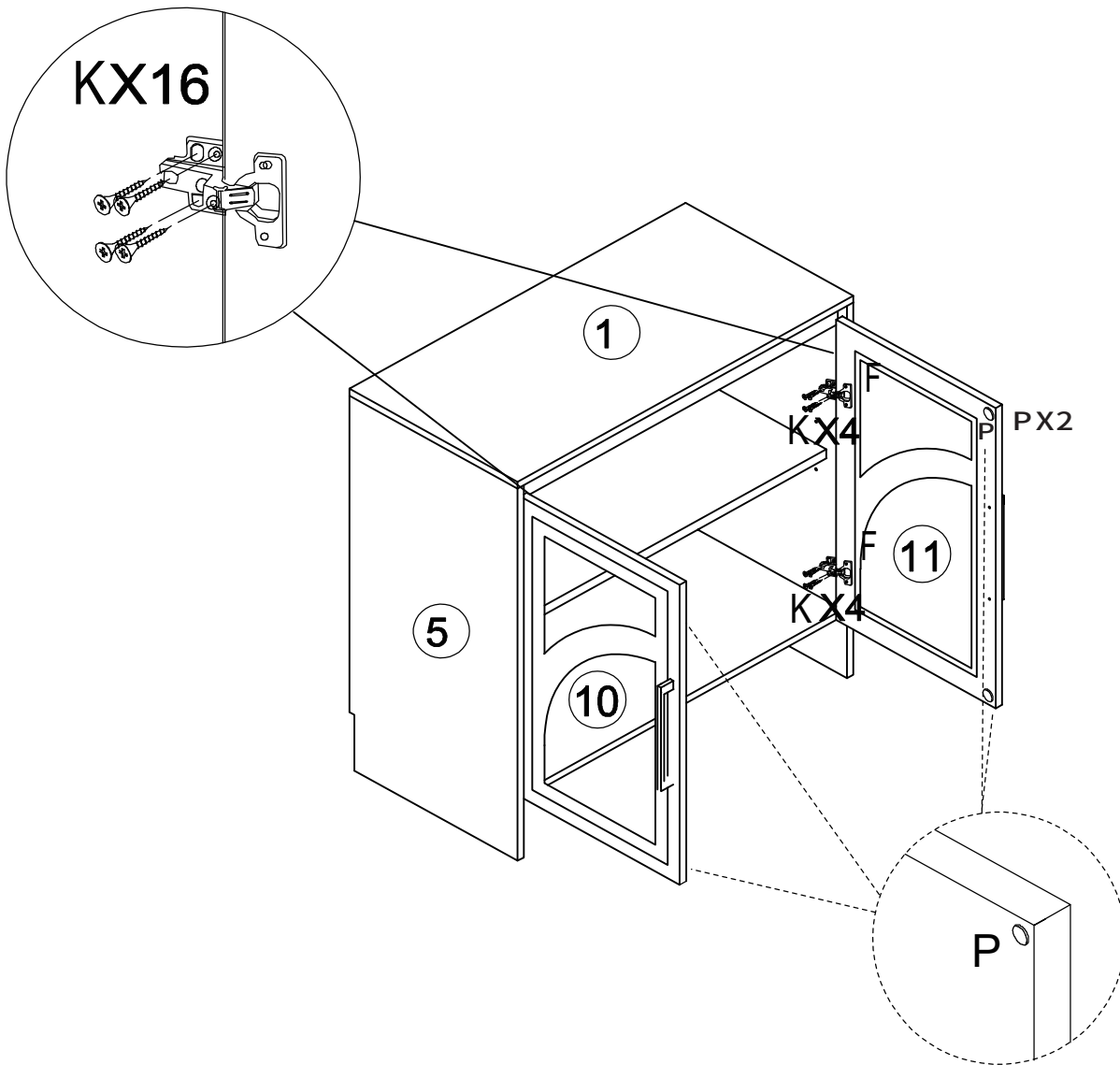
			
F x4PCS	H x2PCS	K x8PCS	J x4PCS



# INSTALLATION STEPS

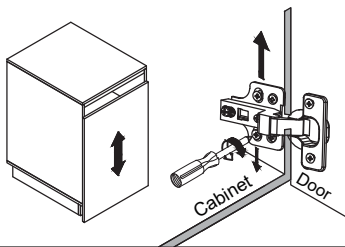
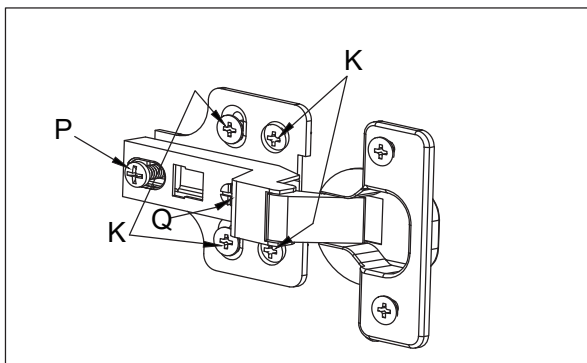
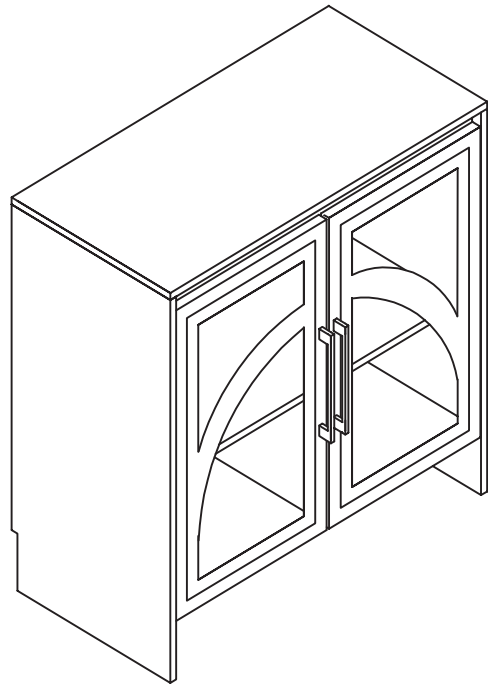
## STEP 11

	
P x4PCS	K x16PCS



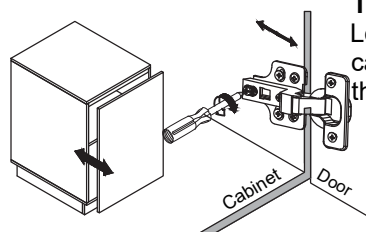
# INSTALLATION STEPS

## STEP 12



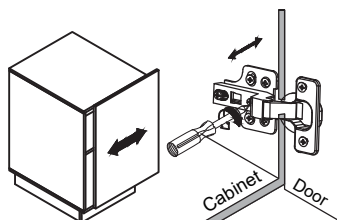
### To adjust the vertical height.

Loosen the four screws "K" on both hinges. Two of them are usually in slotted holes which allows you to adjust up or down by a few mm. Then tighten back up.



### To adjust depth.

Loosen screw "P" and adjust door, if the door can not be adjusted, please loosen screw "Q", then try again. Tighten screw "P" and "Q".


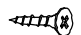


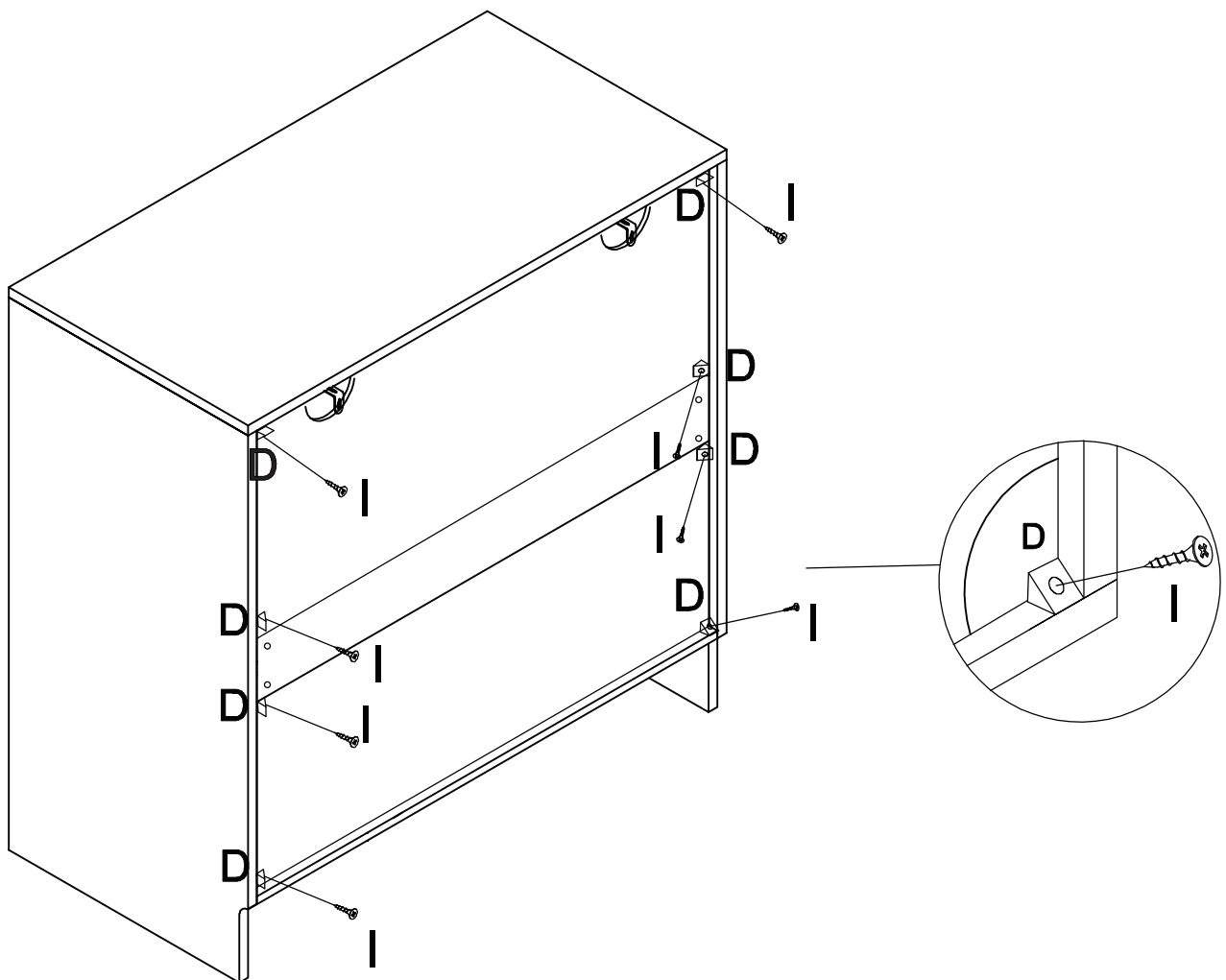
### To adjust side ways.

Turning the screw "Q" on BOTH hinges on each door.

# INSTALLATION STEPS

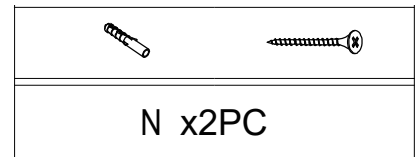
## STEP 13

	
D x8PCS	I x8PCS



## INSTALLATION STEPS

### STEP 14



Tips: This step is to install the anti-tipping device system, which requires drilling holes in the wall.

