

LED STEP LIGHT

VOS55477

By VONN Lighting



PROJECT:

TYPE:

CATALOG#:

DATE:



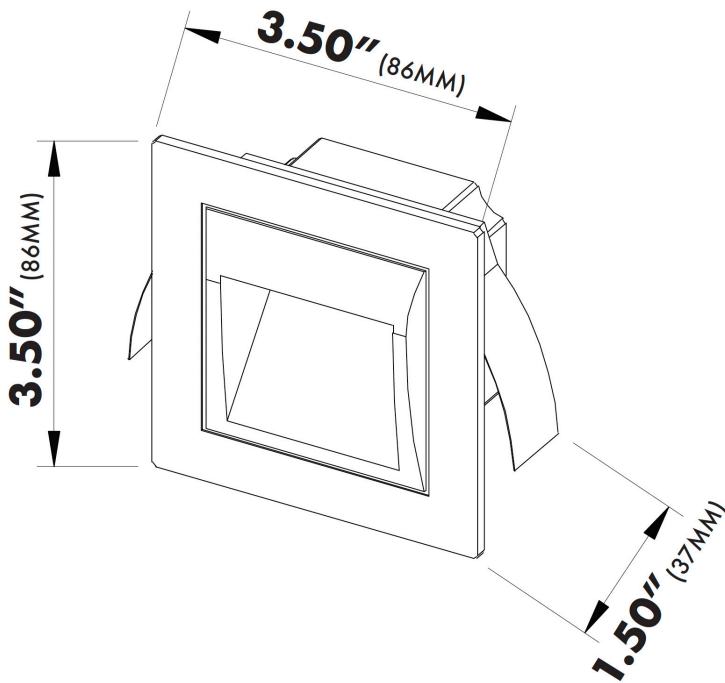
DESCRIPTION

The VONN VOS54477BL is a low-voltage step light that provides warm, ambient lighting. Designed for outdoor strength, it's crafted in aluminum with a UV-proof powder coat, topped off with a frosted glass diffuser to soften glare. With an ETL listing, IP67 wet-rating, and a long life expectancy of 50,000 hours.

FEATURES

- LUMENS: 34LM
- WATTS: 2W
- VOLTAGE: 12V AC
- CRI: 90
- CCT: 3000K
- WET LISTED: IP67
- DIFFUSER: GLASS
- MATERIAL: ALUMINUM WITH UV POWDER COATING
- FINISH: BLACK
- LIFETIME: 50,000 HOURS
- TRANSFORMER REQUIRED: (NOT INCLUDED)
- LISTED: ETL
- WARRANTY: 5-YEAR LIMITED

DIMENSIONS



Theoretical Lumens: XXX LM (subject to change)

Theoretical Wattage: XXX W (subject to change)

***Please note lumens and wattage are subject to change and will be determined post production of the first articles.

*Any custom modifications are subject to minimum order quantity. (M.O.Q.)

© VONN Lighting, 2025

