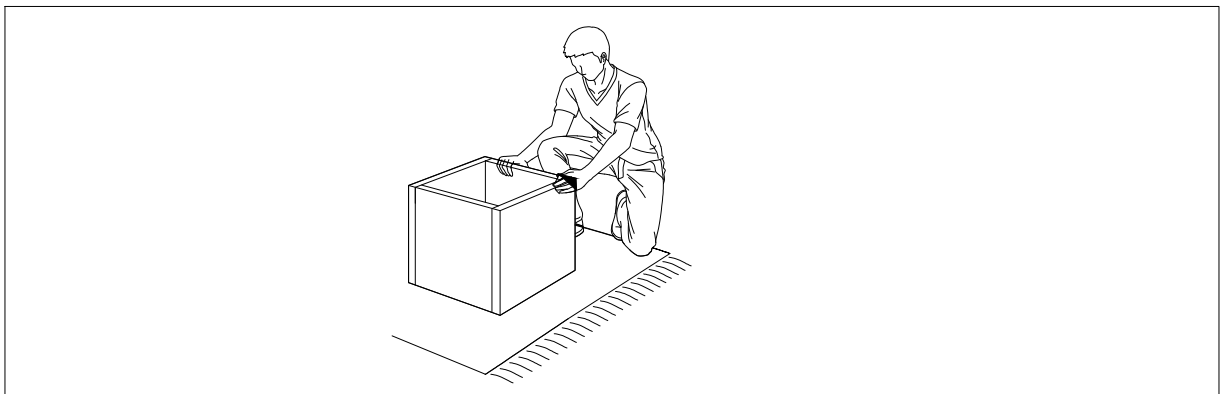
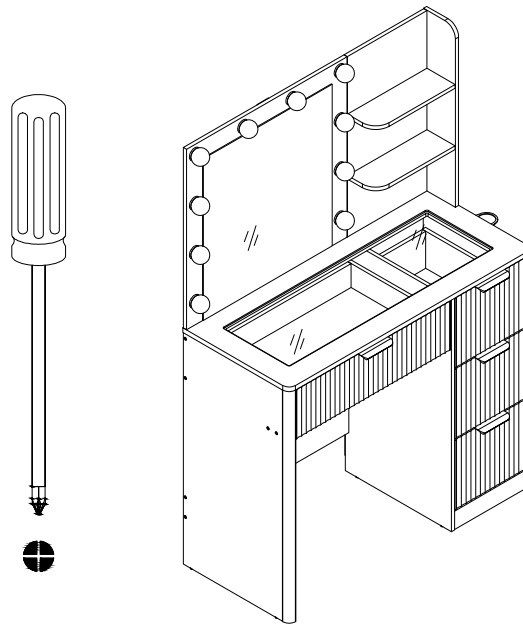
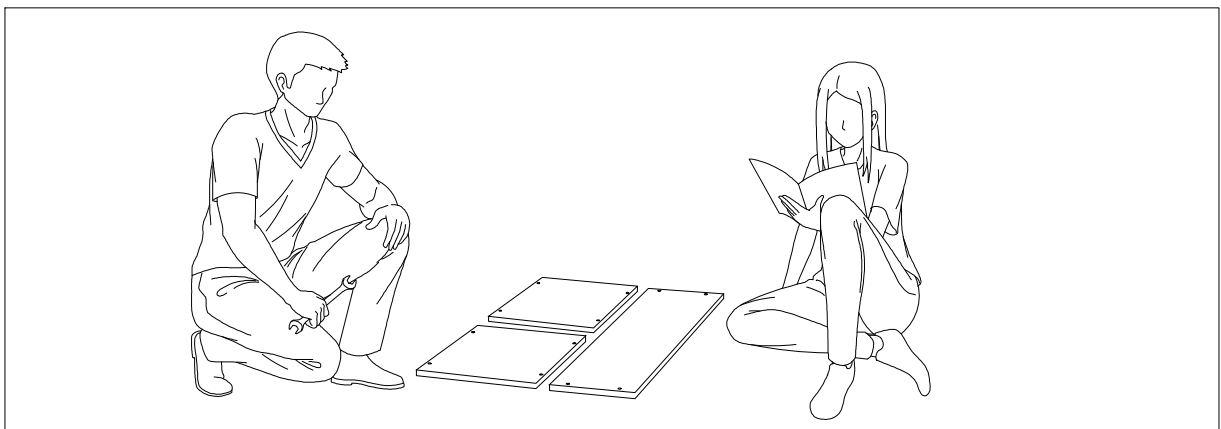


WARNING!

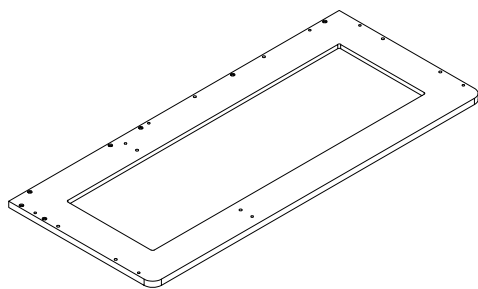


Assemble the furniture on empty carton, carpet, or rug to prevent scratches or damage.

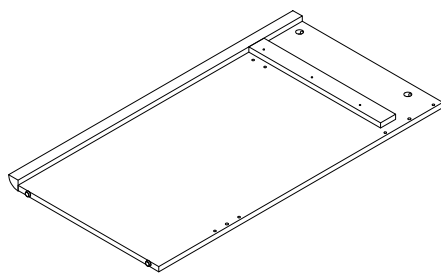


This furniture requires 2 people to assembly.
Make sure no parts are missing or damaged before assembly.

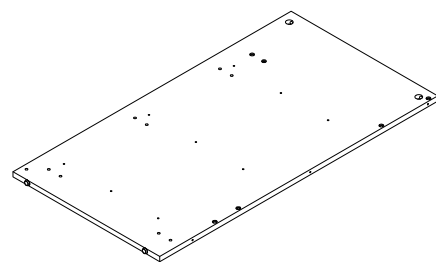
Not actual size



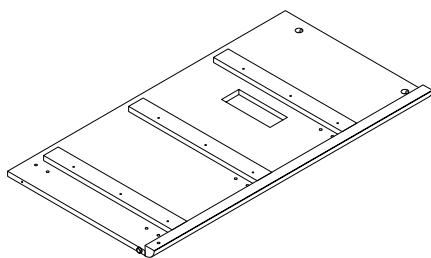
①(91.9X40X1.5cm) X1



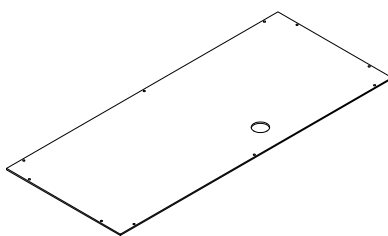
②(75.6X39.9X2.5cm)X1



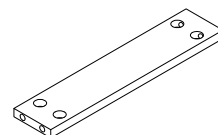
③(75.6X39.9X1.2cm)X1



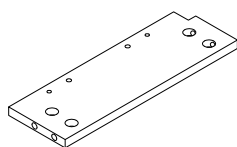
④(75.6X39.9X2.5cm)X1



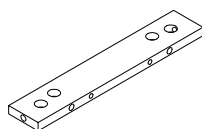
⑤(72.2X30.3X0.3cm)X1



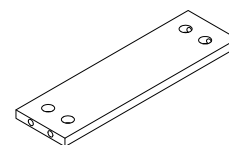
⑥(28.1X6X1.2cm)X2



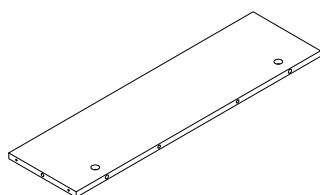
⑦(28.1X9.2X1.2cm)X1



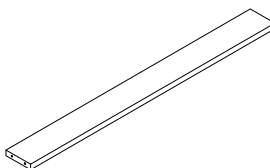
⑧(26.9X4.8X1.2cm)X1



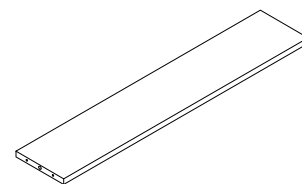
⑨(28.1X8X1.2cm)X1



⑩(59.8X16.5X1.2cm)X1

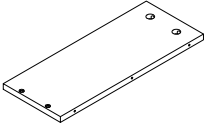


⑪(59.8X8X1.2cm)X1

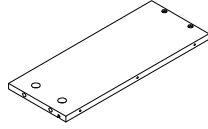


⑫(59.8X11.7X1.2cm)X1

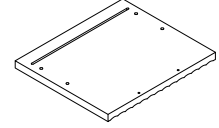
Not actual size



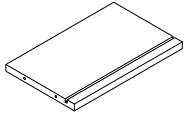
⑬(35X14X1.2cm)X3



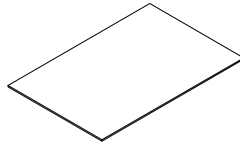
⑭(35X14X1.2cm)X3



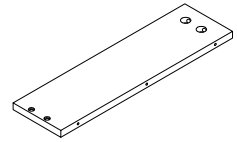
⑮(22.7X26.3X1.5cm)X3



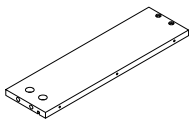
⑯(22X14X1.2cm)X3



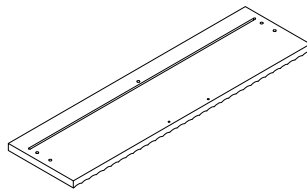
⑰(34.7X23X0.3cm)X3



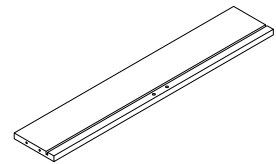
⑱(35X9.7X1.2cm)X1



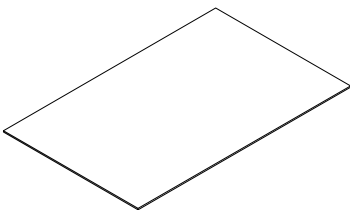
⑲(35X9.7X1.2cm)X1



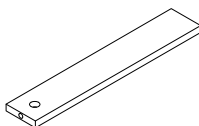
⑳(15.9X58X1.5cm)X1



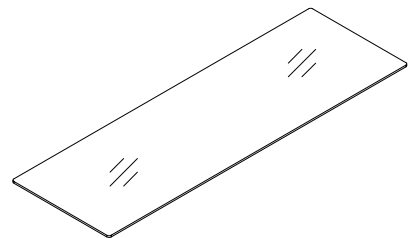
㉑(53.7X9.7X1.2cm)X1



㉒(54.7X34.7X0.3cm)X1

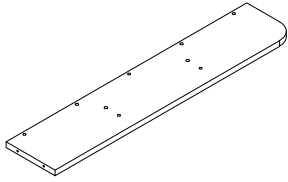


㉓(33.7X6X1.2cm)X1

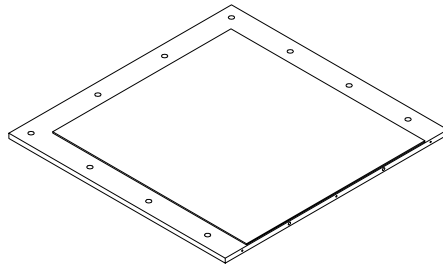


㉔(76.9X25X0.4cm)X1

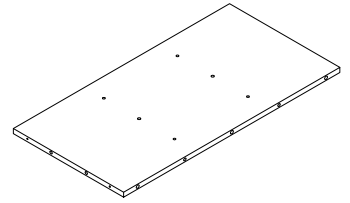
Not actual size



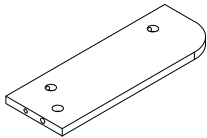
②⑤(58.9X12X1.2cm)X1



②⑥(58.8X60.5X1.2cm)X1

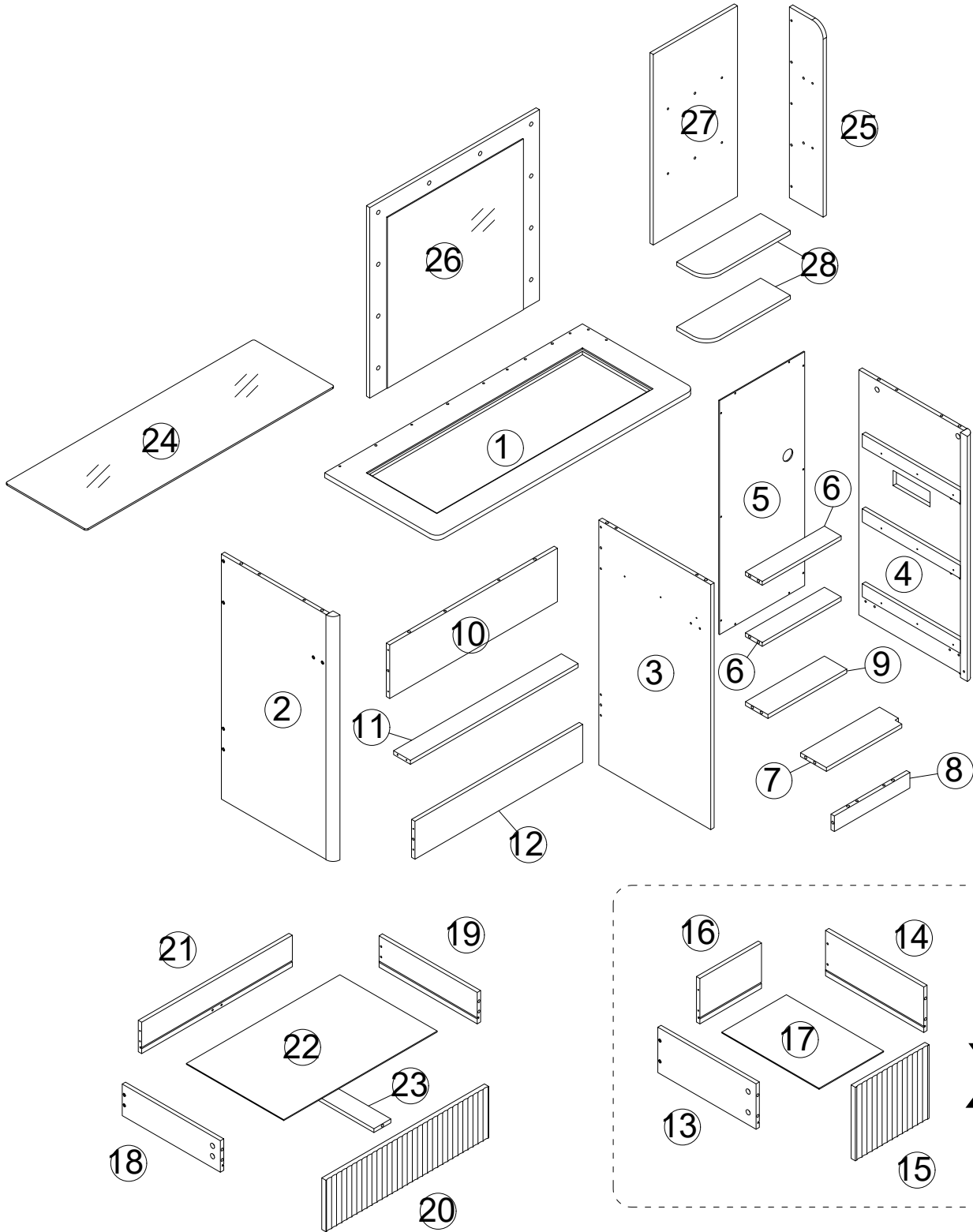


②⑦(58.8X30X1.2cm)X1

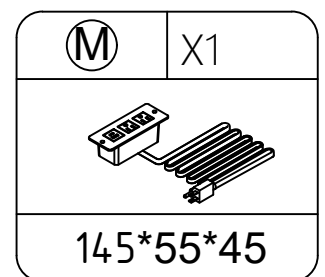
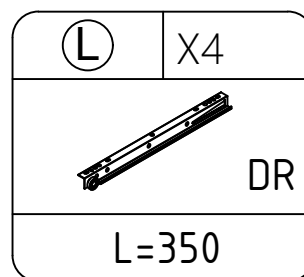
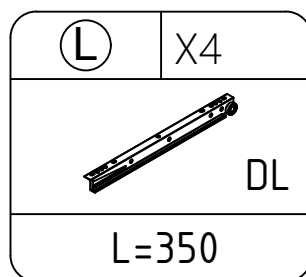
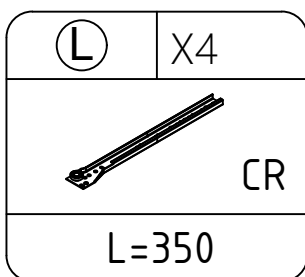
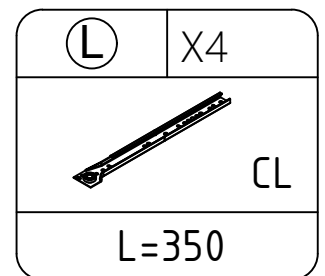
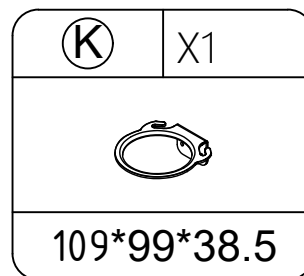
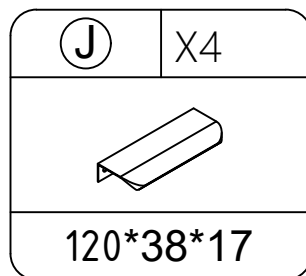
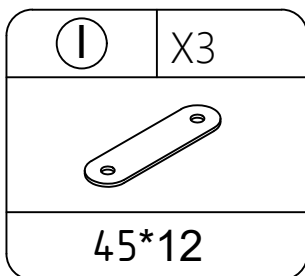
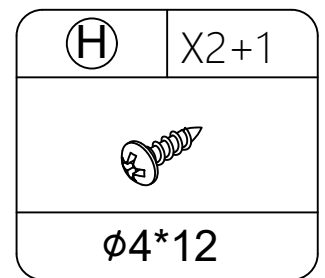
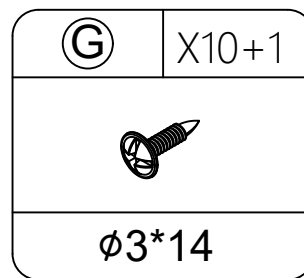
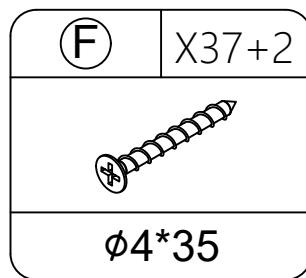
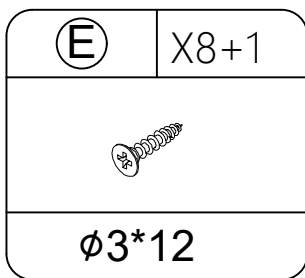
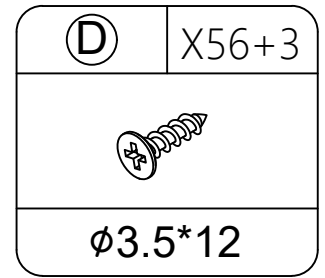
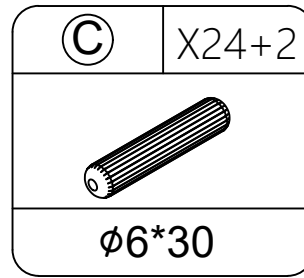
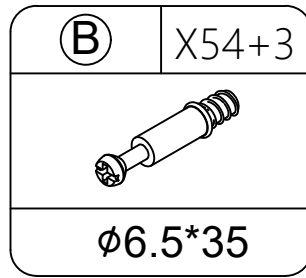
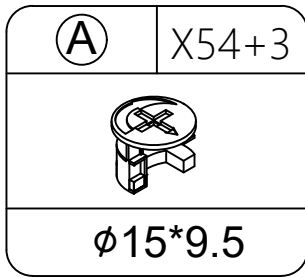


②⑧(29.9X10.6X1.2cm)X2

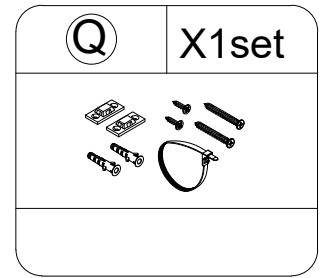
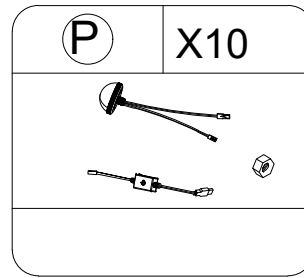
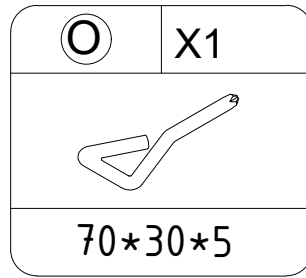
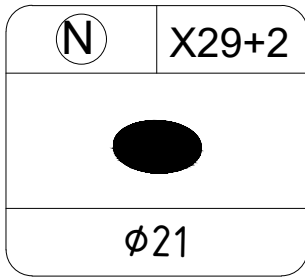
Not actual size



Not actual size

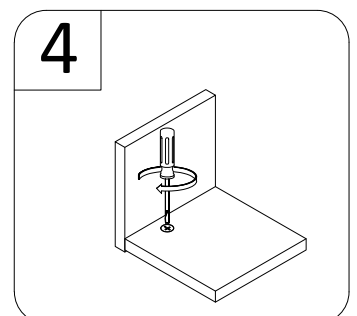
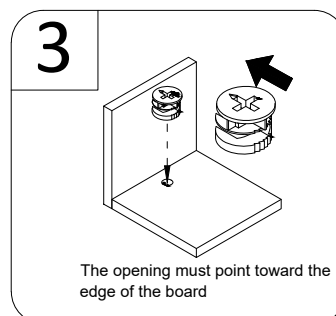
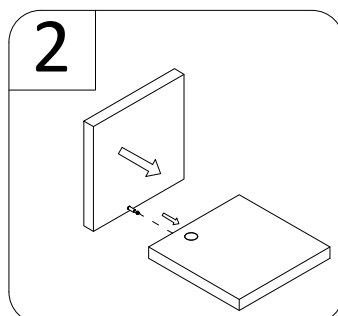
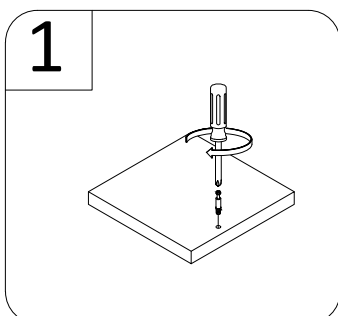


Not actual size

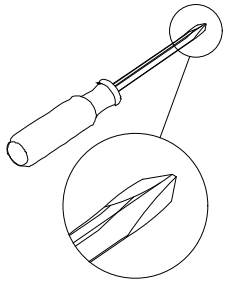


Cam LockFasteningSystem

Insert the cam bolt into the hole first, then insert the cam lock and lock it.



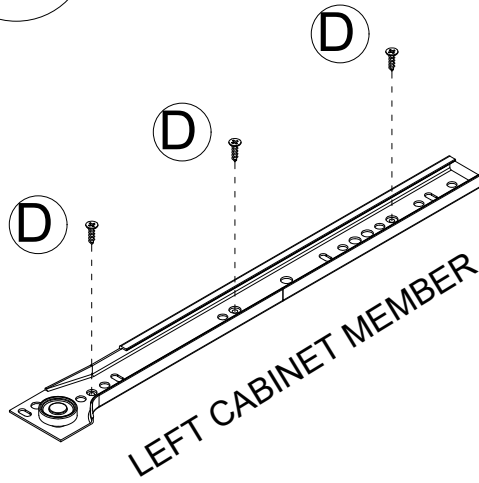
STEP 1



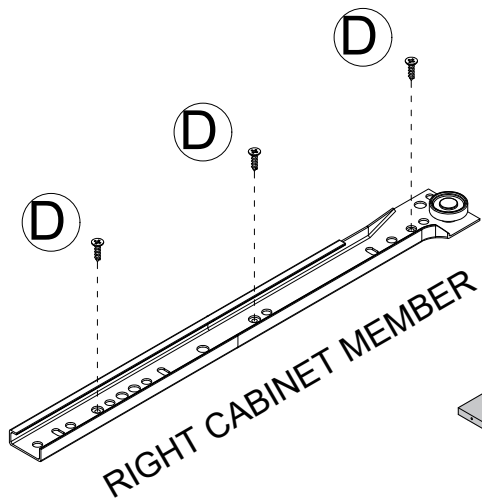
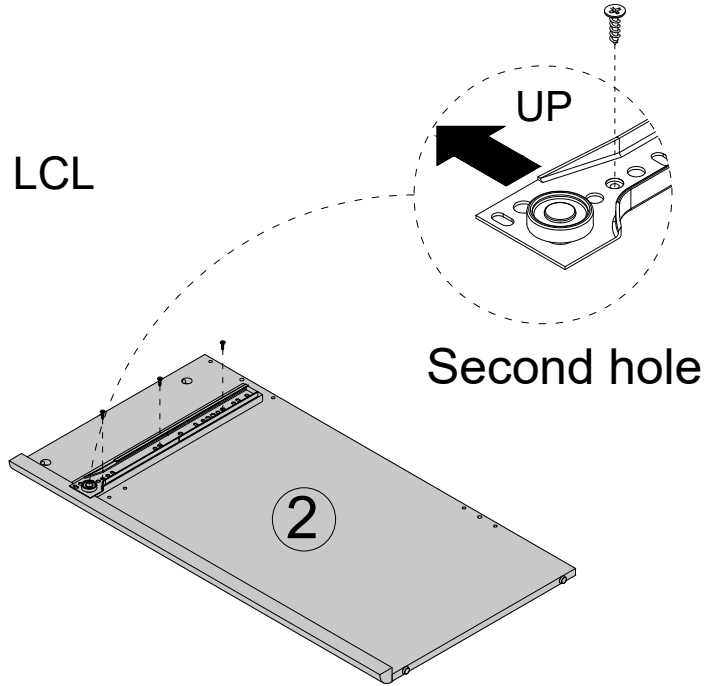
(D)	X12
Ø3.5*12	

(L)	X1
L=350	

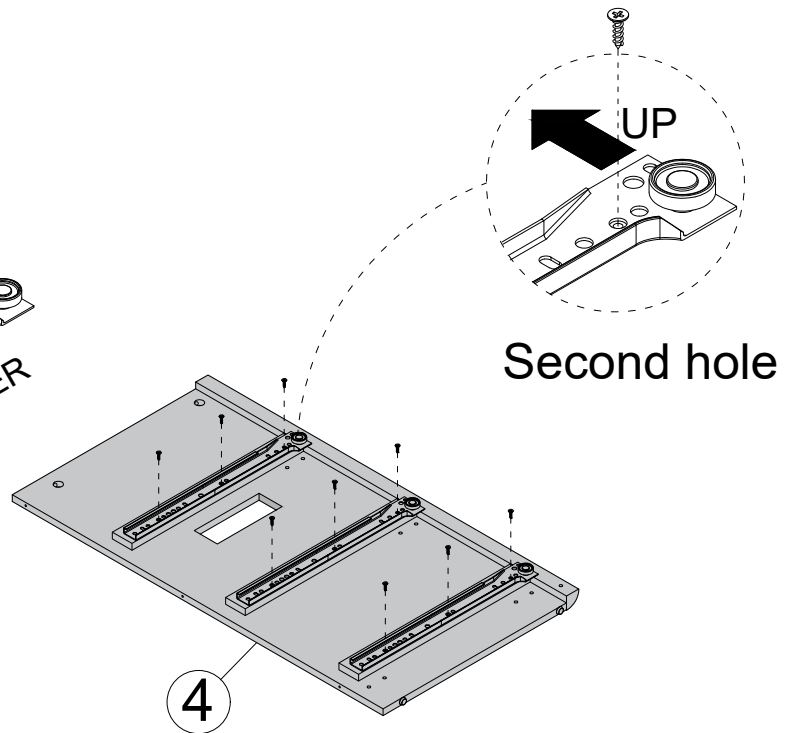
(L)	X3
L=350	



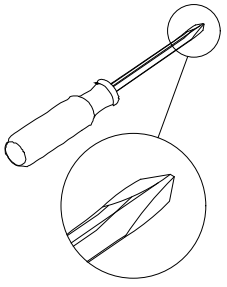
LCL



LCR



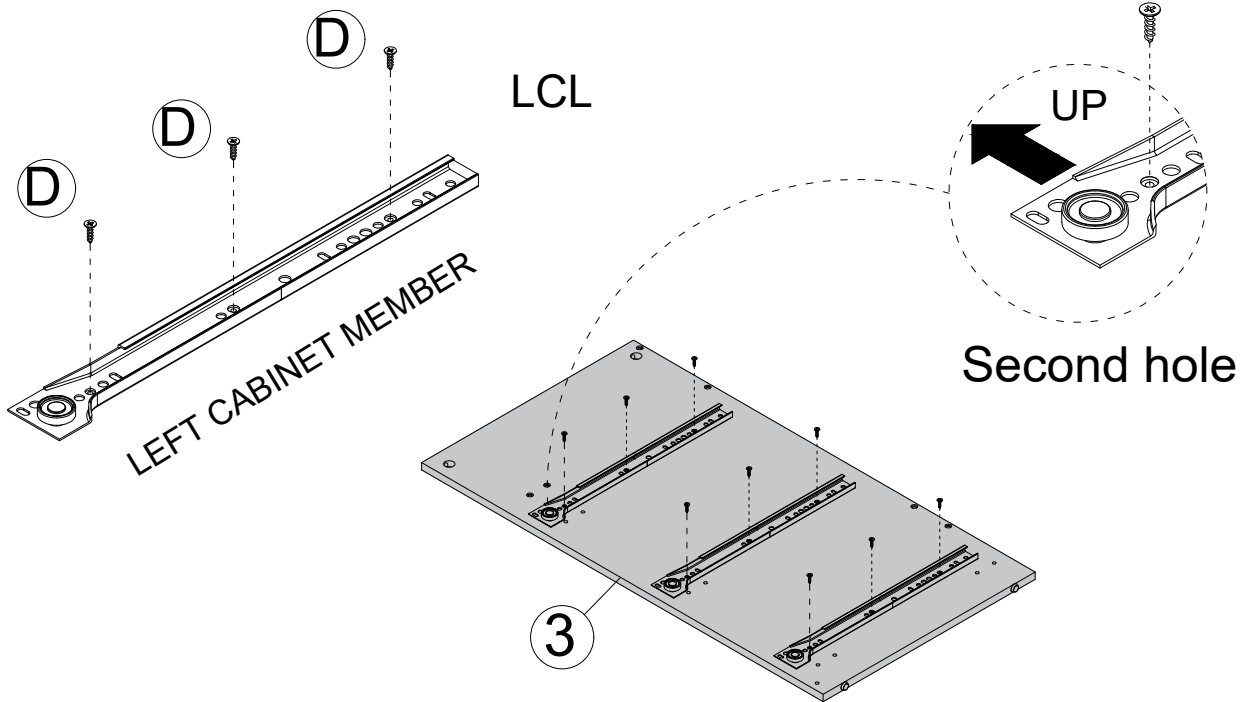
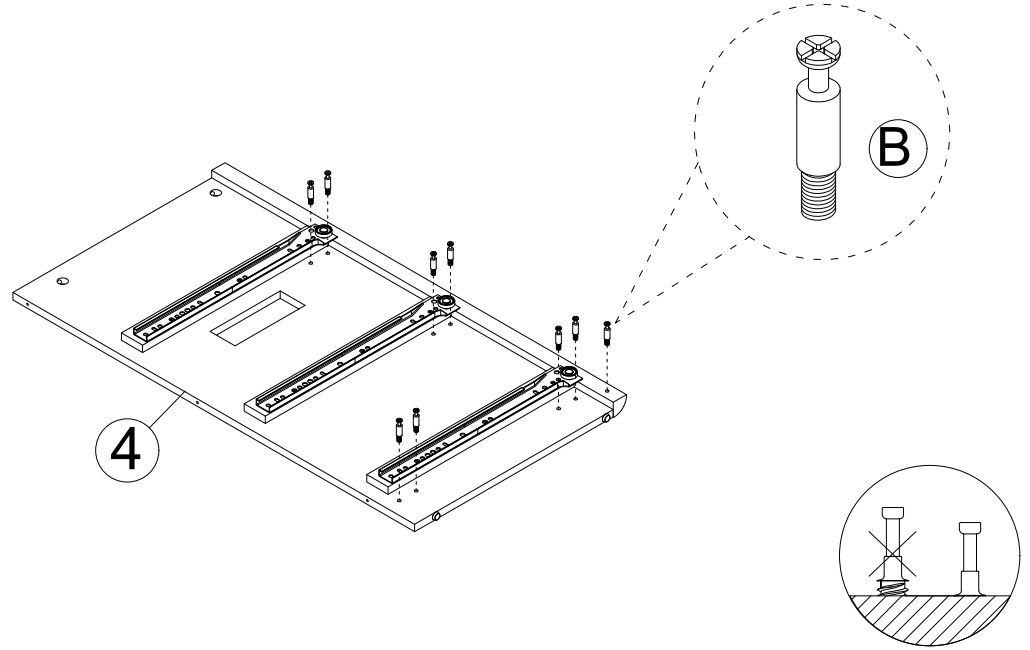
STEP 2



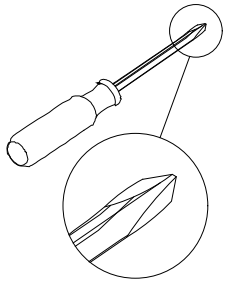
B	X9
Ø6.5*35	

D	X9
Ø3.5*12	

L	X3
CL	
L=350	



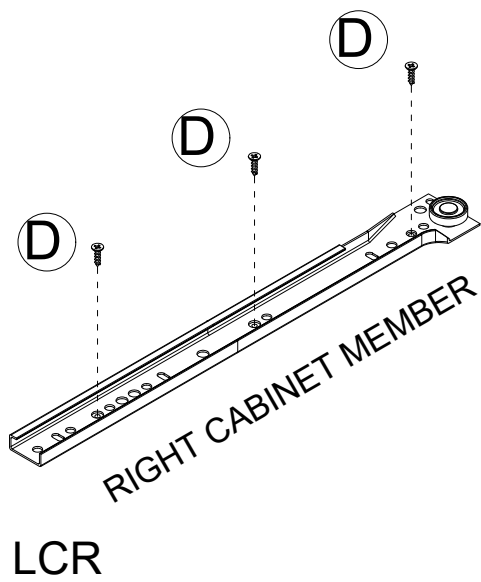
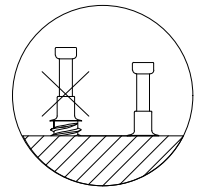
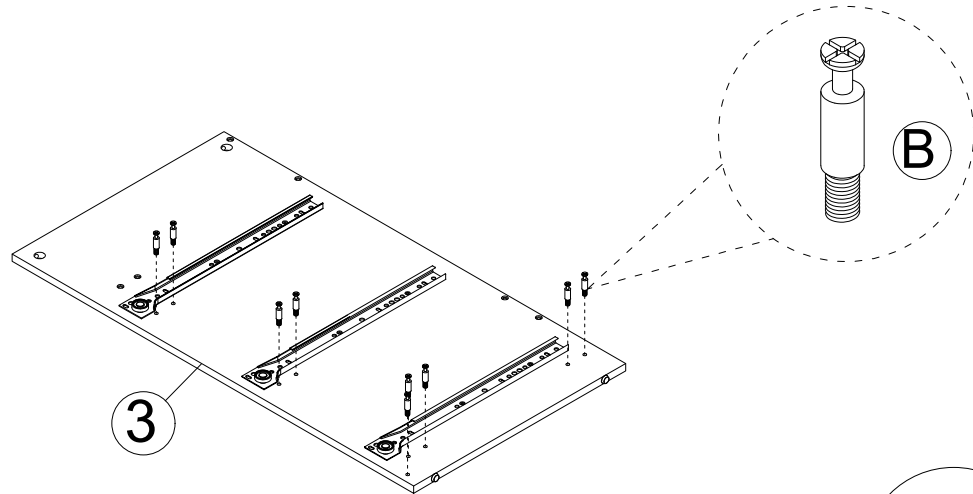
STEP 3



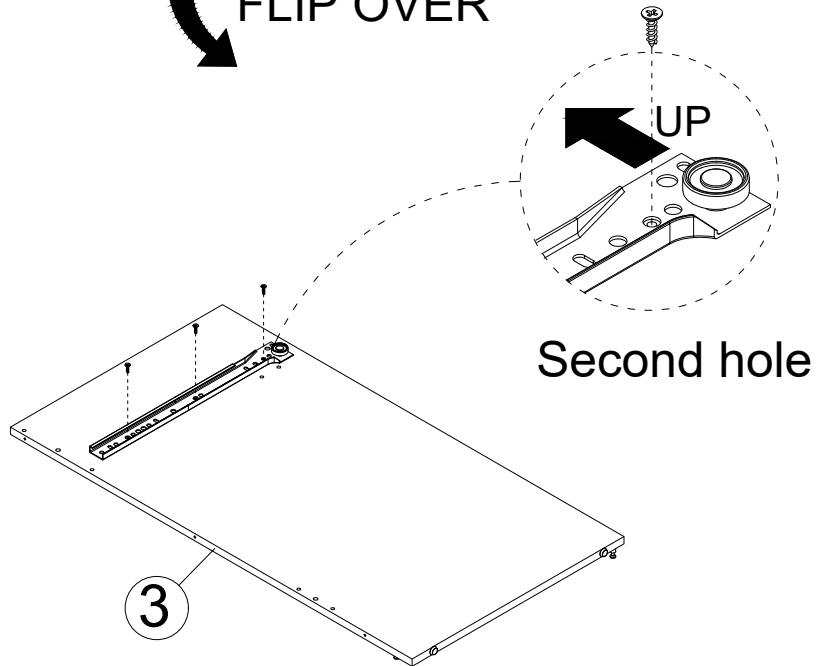
B	X9
Ø6.5*35	

D	X3
Ø3.5*12	

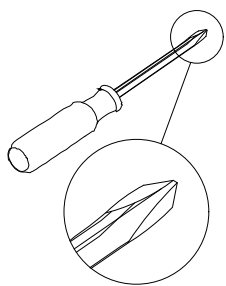
L	X1
CR	
L=350	

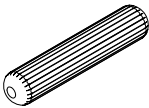


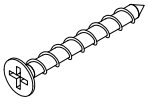
FLIP OVER




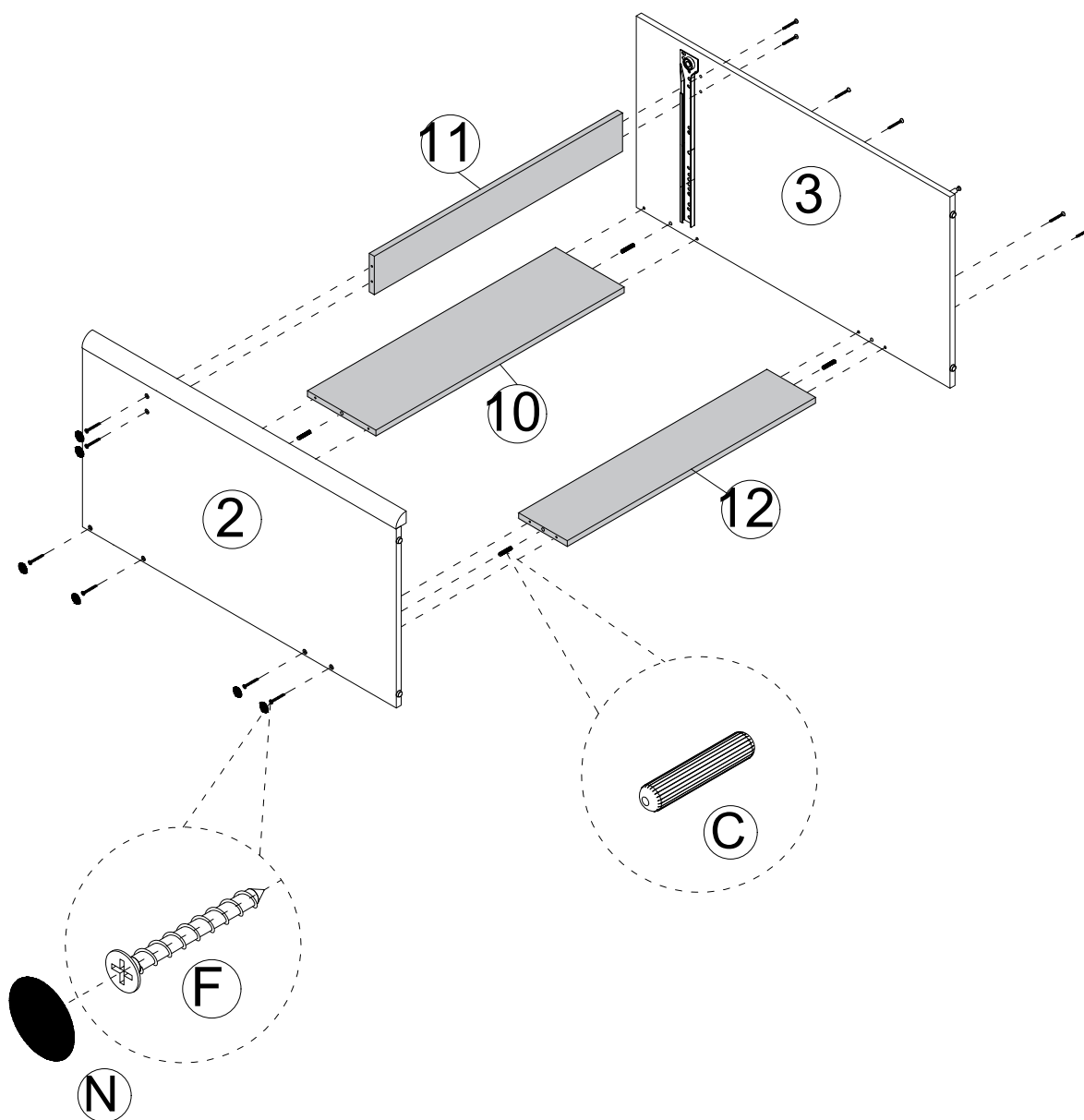
STEP 4



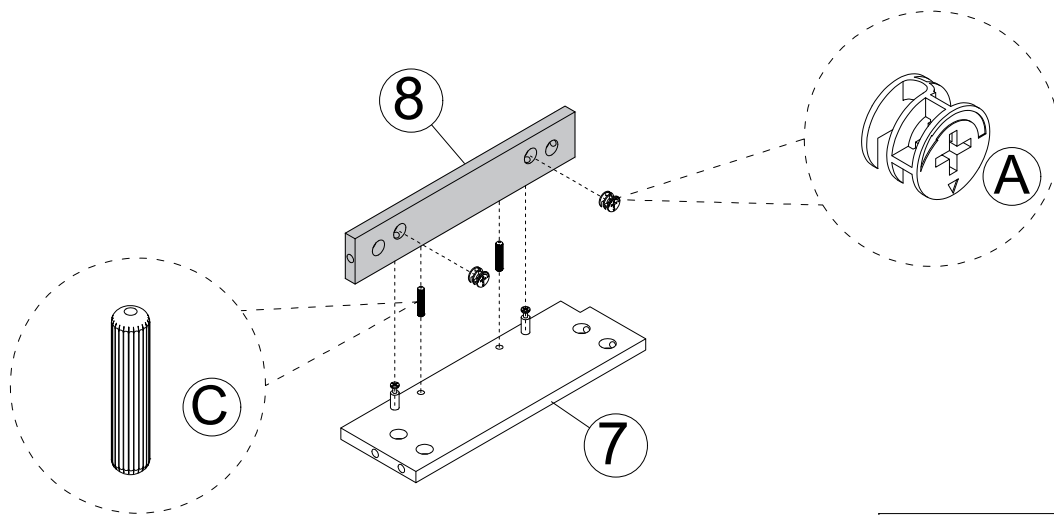
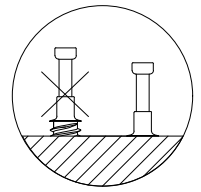
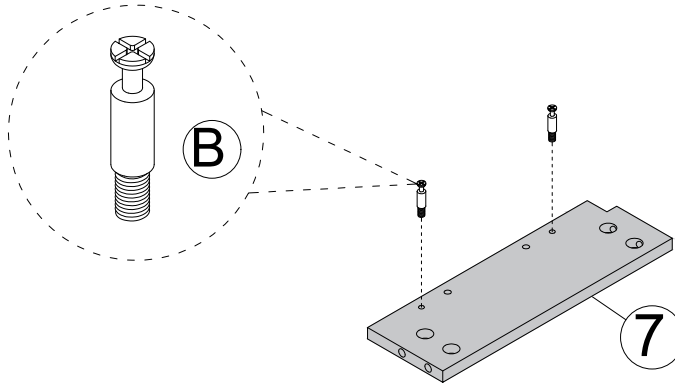
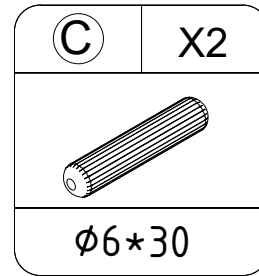
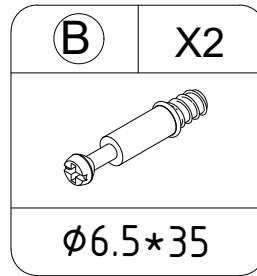
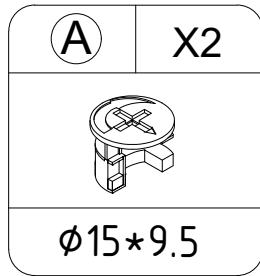
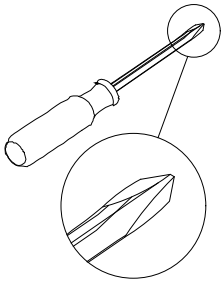
C	X4
	
ø6*30	

F	X12
	
ø4*35	

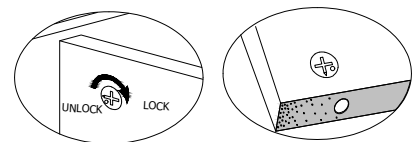
N	X6
	
ø21	



STEP 5

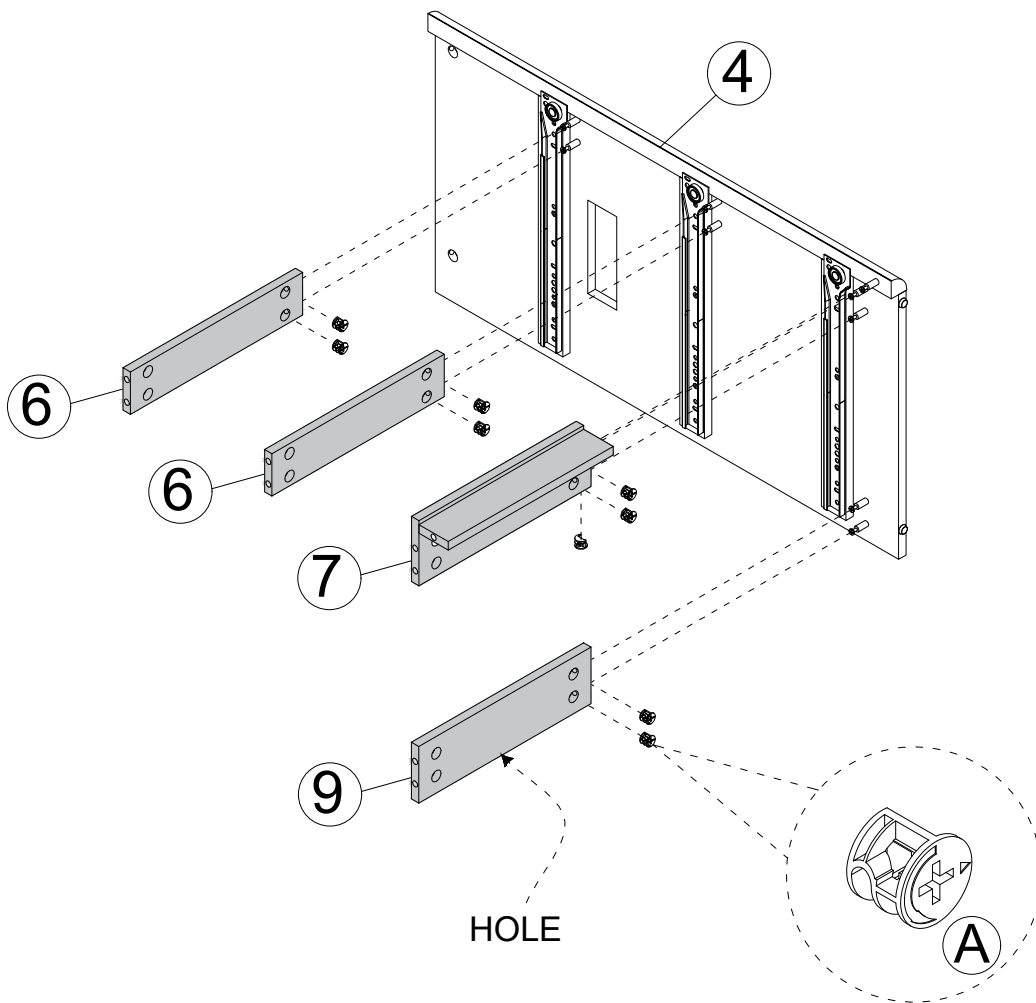
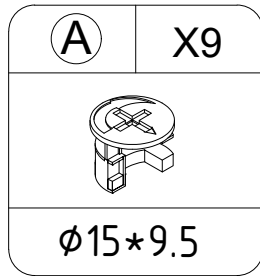
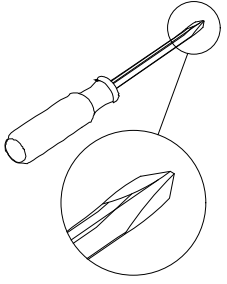


Insert the cam bolt into the hole first, then insert the cam lock and lock it.

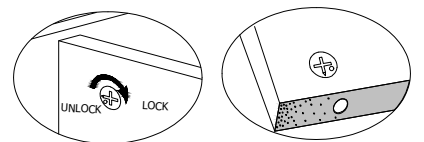


Proper orientation of CAM LOCK

STEP 6

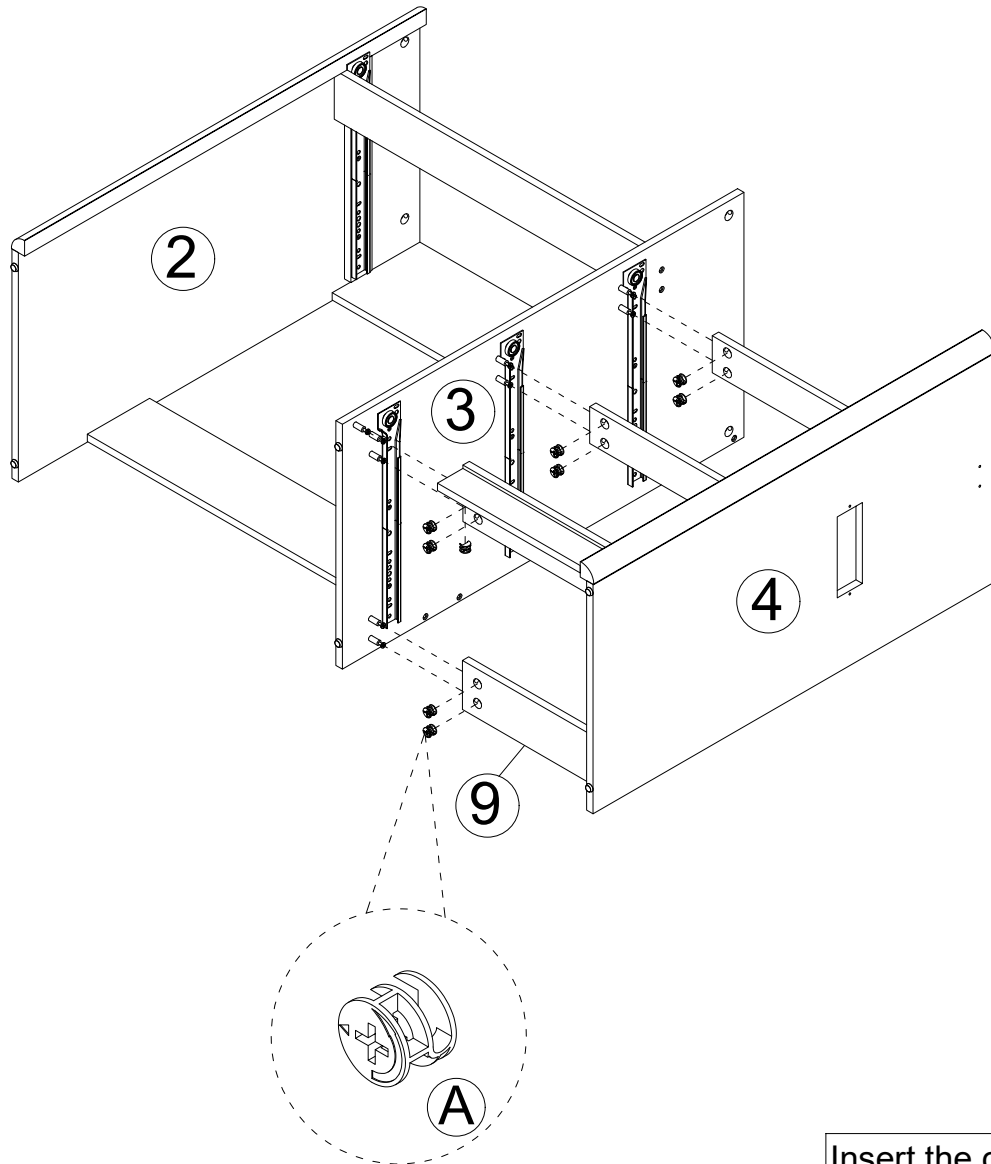
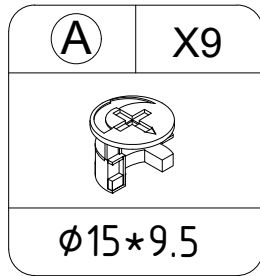
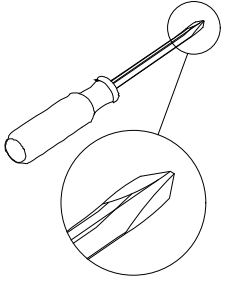


Insert the cam bolt into the hole first, then insert the cam lock and lock it.

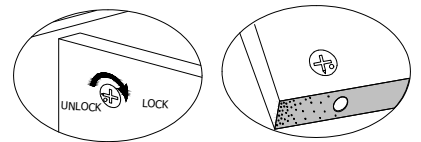


Proper orientation of CAM LOCK

STEP 7

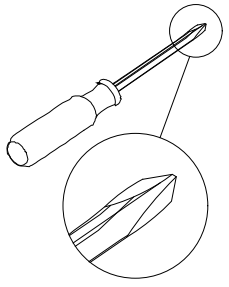


Insert the cam bolt into the hole first, then insert the cam lock and lock it.



Proper orientation of CAM LOCK

STEP 8

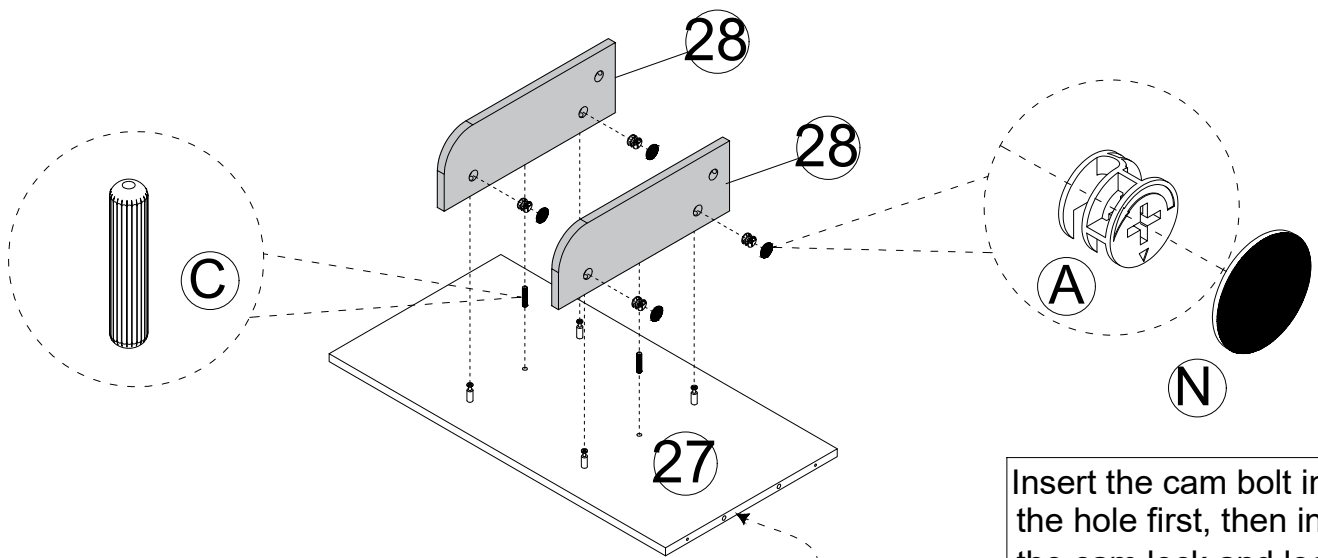
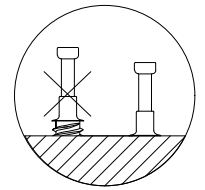
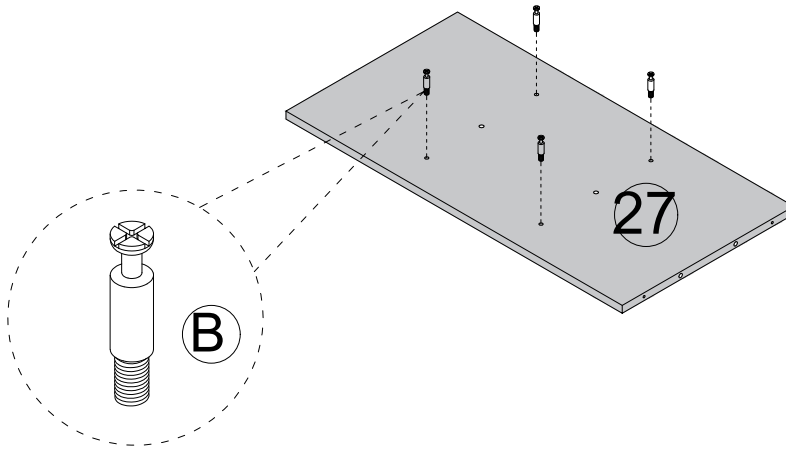


(A)	X4
Ø15*9.5	

(B)	X4
Ø6.5*35	

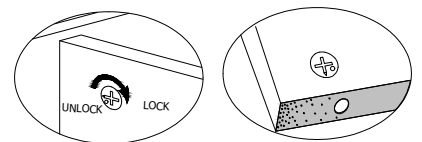
(C)	X2
Ø6*30	

(N)	X4
Ø21	



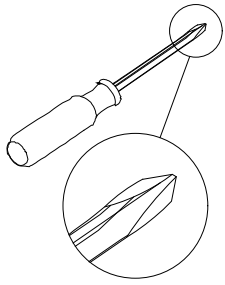
Insert the cam bolt into the hole first, then insert the cam lock and lock it.

Be careful



Proper orientation of CAM LOCK

STEP 9

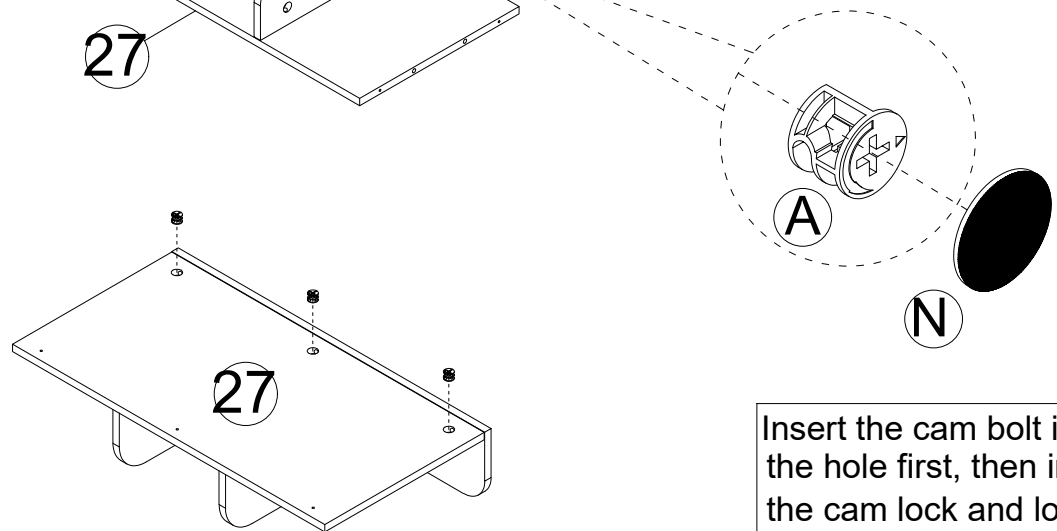
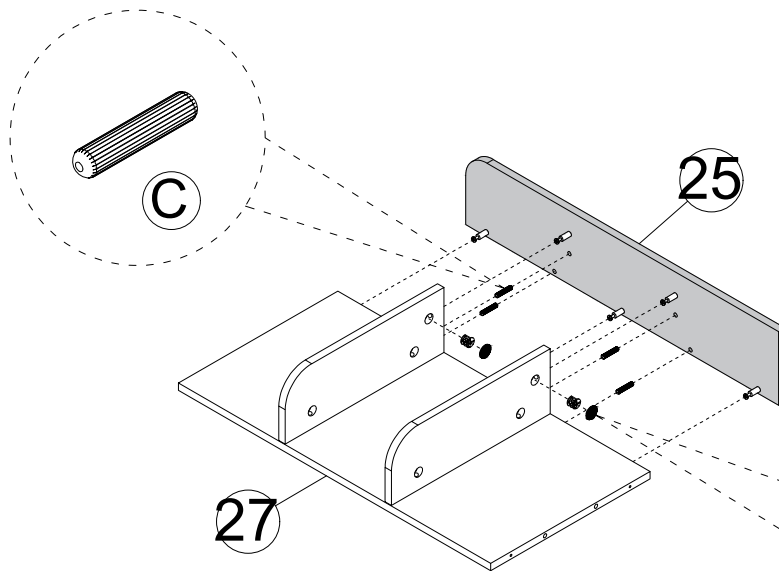
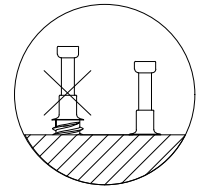
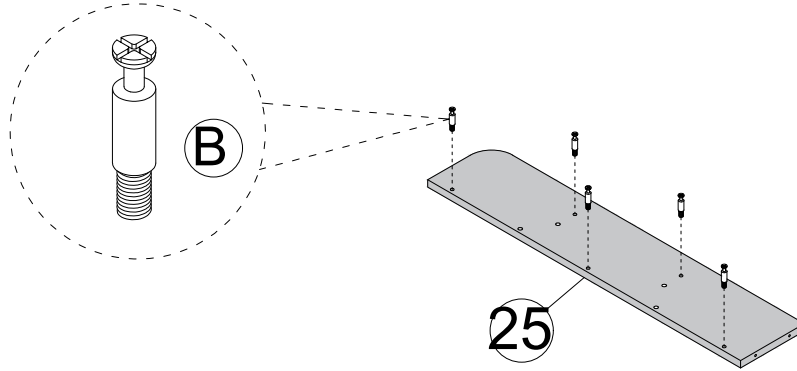


(A)	X5
ø15*9.5	

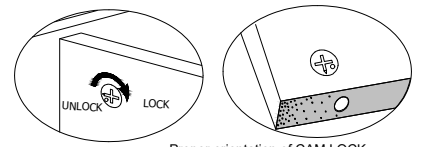
(B)	X5
ø6.5*35	

(C)	X4
ø6*30	

(N)	X2
ø21	

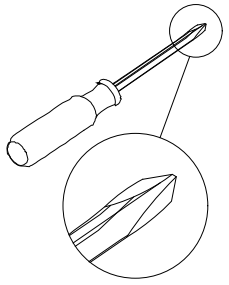



Insert the cam bolt into the hole first, then insert the cam lock and lock it.

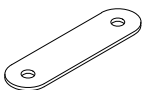


Proper orientation of CAM LOCK

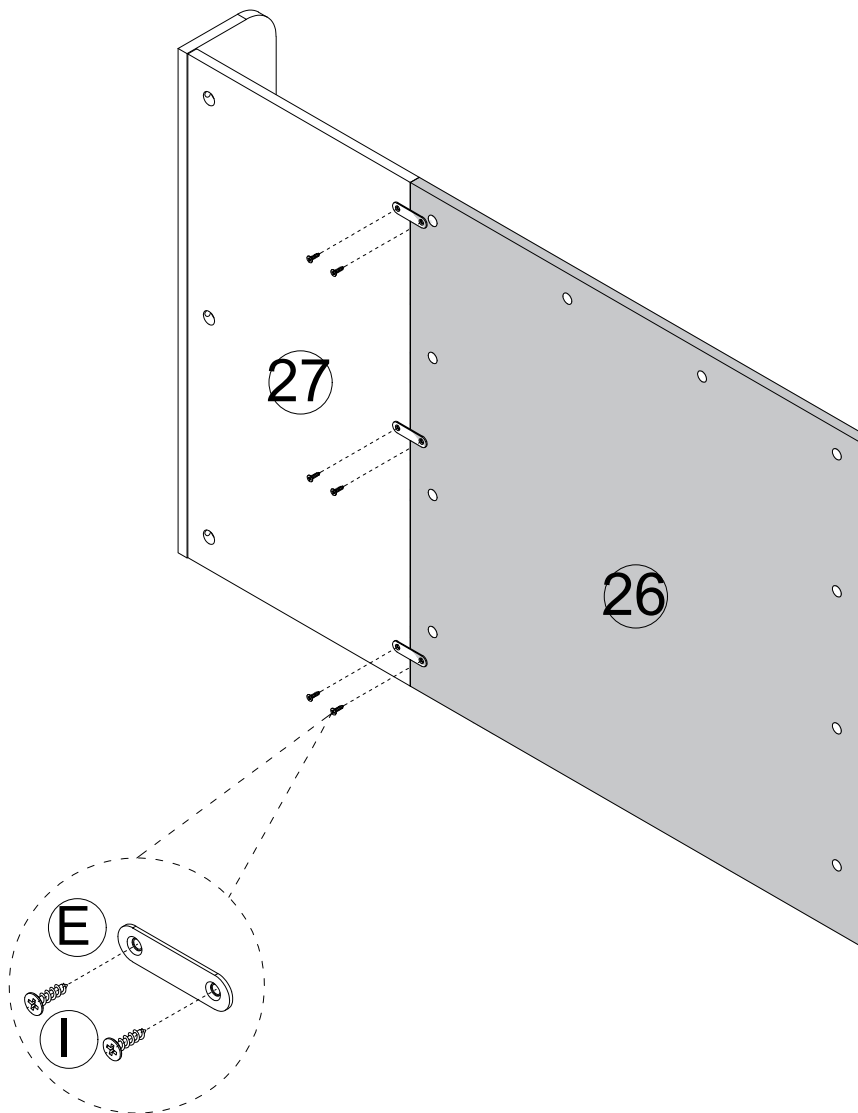
STEP 10



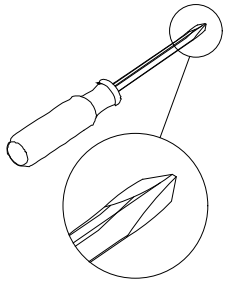
E	X6
	
Ø3*12	

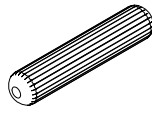
I	X3
	
45*12	

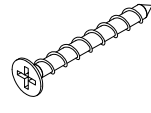
THIS STEP REQUIRES 2 PEOPLE

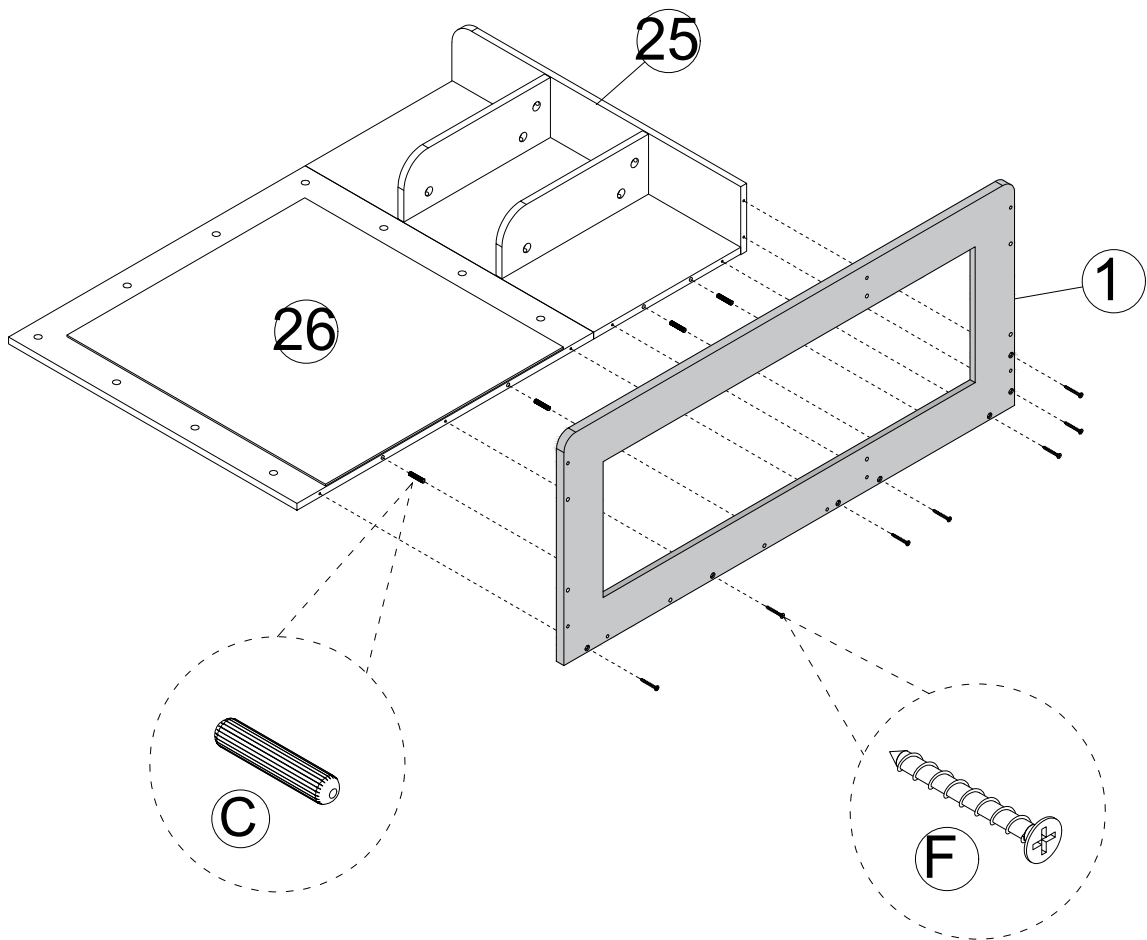


STEP 11

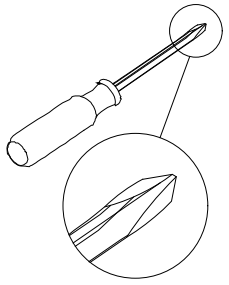


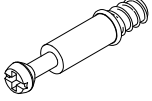
C	X4
	
Ø6*30	

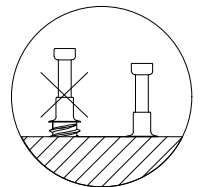
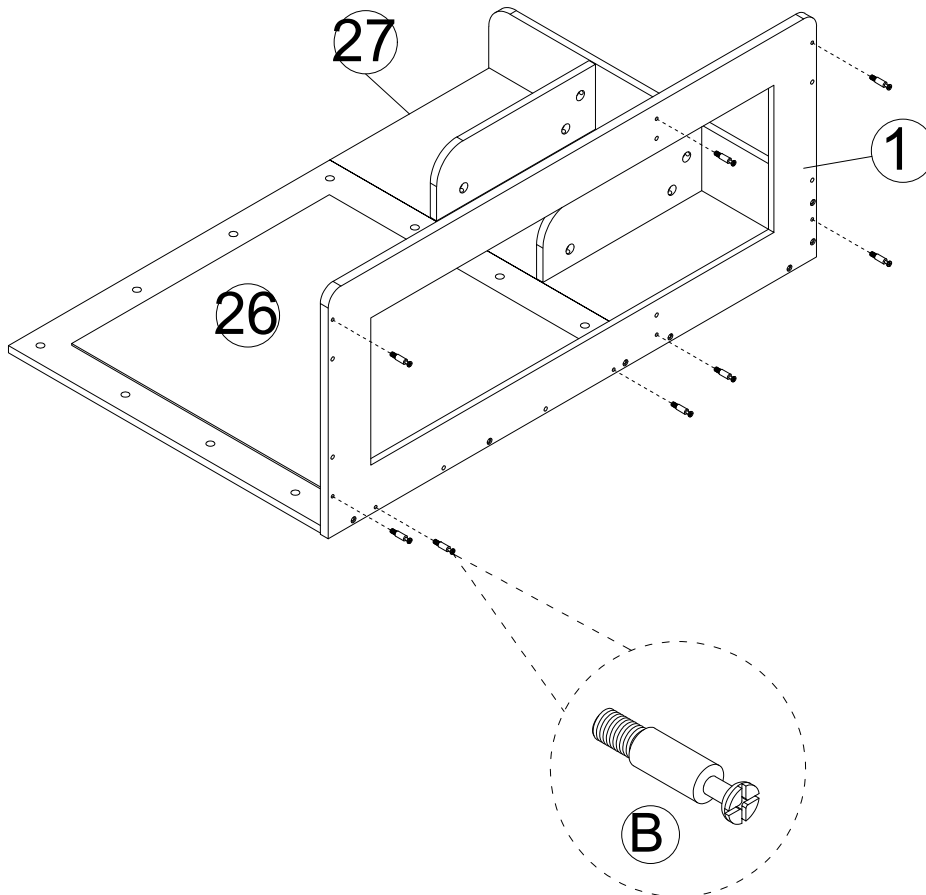
F	X7
	
Ø4*35	



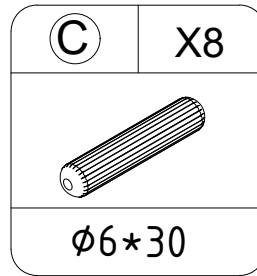
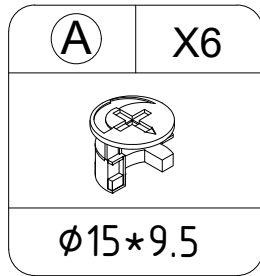
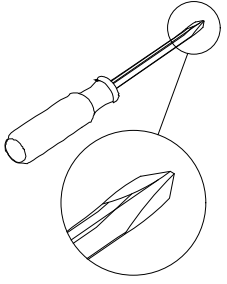
STEP 12



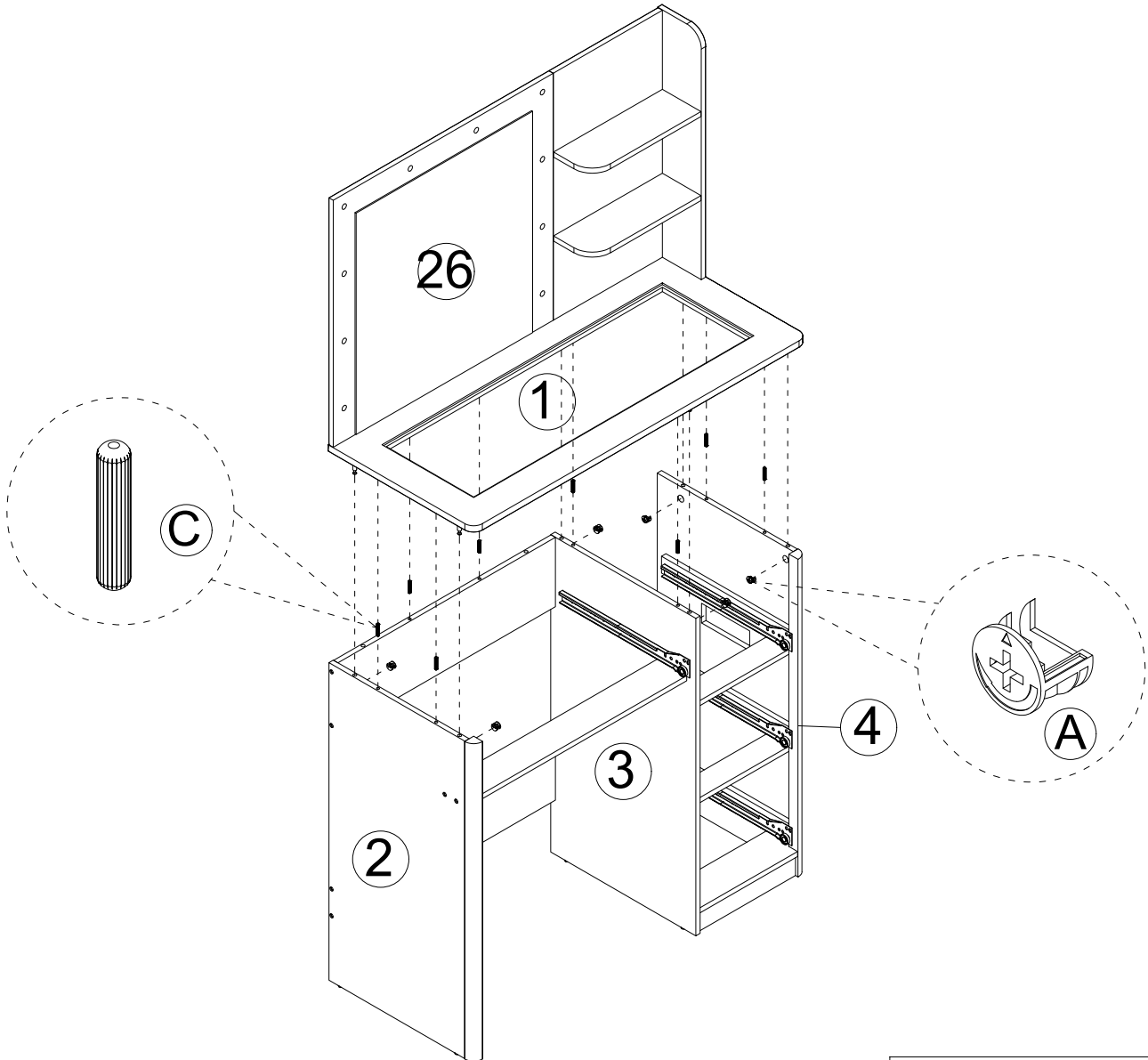
(B)	X8
	
Ø6.5*35	



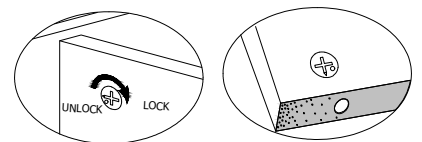
STEP 13



THIS STEP REQUIRES 2 PEOPLE

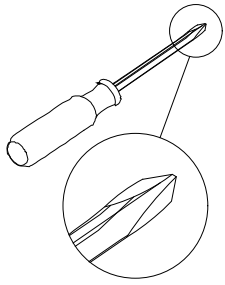


Insert the cam bolt into the hole first, then insert the cam lock and lock it.



Proper orientation of CAM LOCK

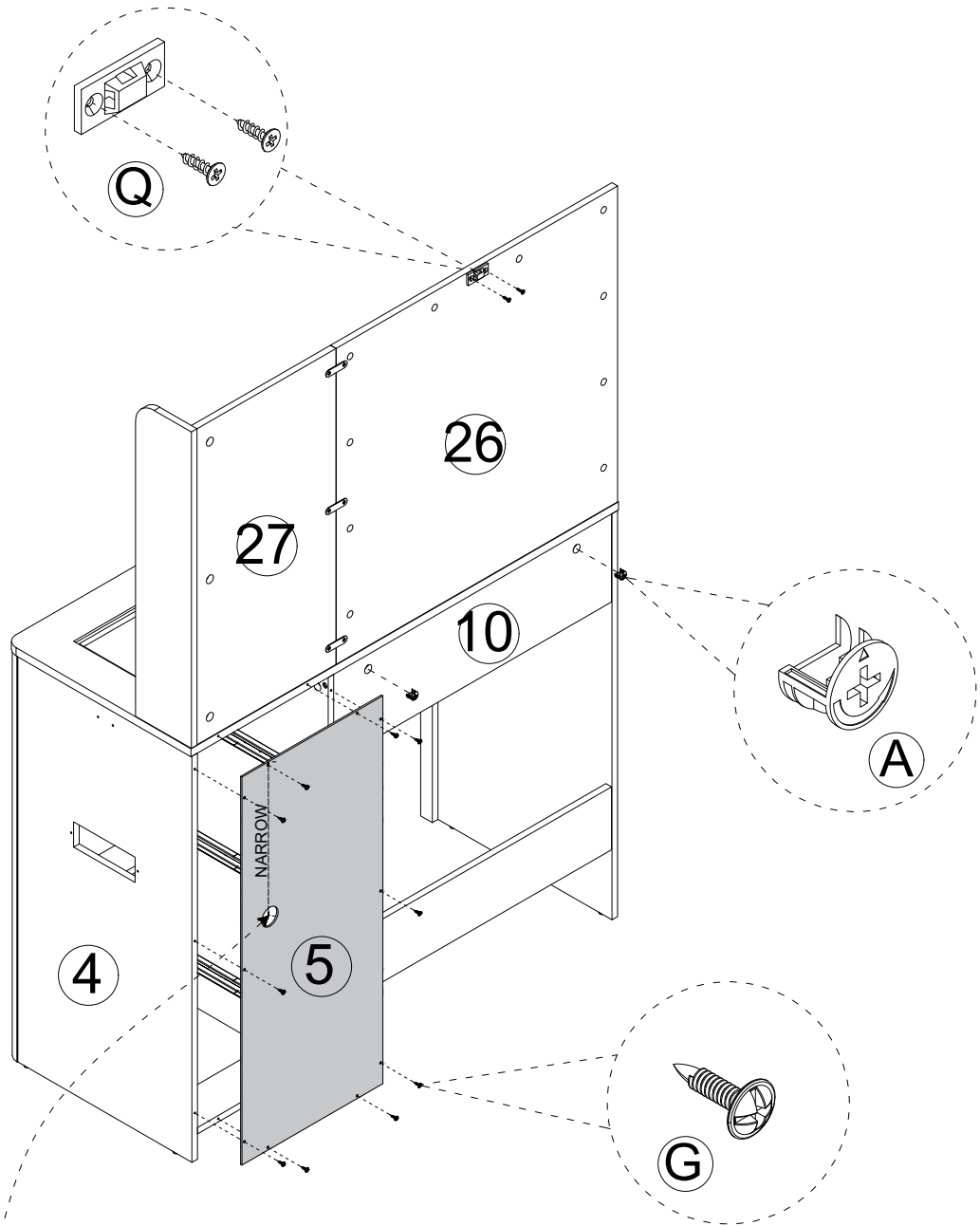
STEP 14



A	X2
Ø15*9.5	

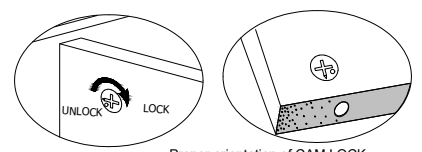
G	X10
Ø3*14	

Q	X1set



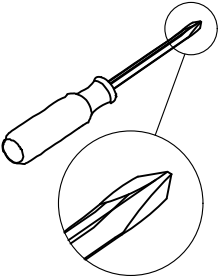
When installing the No.5 plate, pay attention to the distance and direction of the round hole, the narrow distance is on it.

Insert the cam bolt into the hole first, then insert the cam lock and lock it.



Proper orientation of CAM LOCK

STEP 15

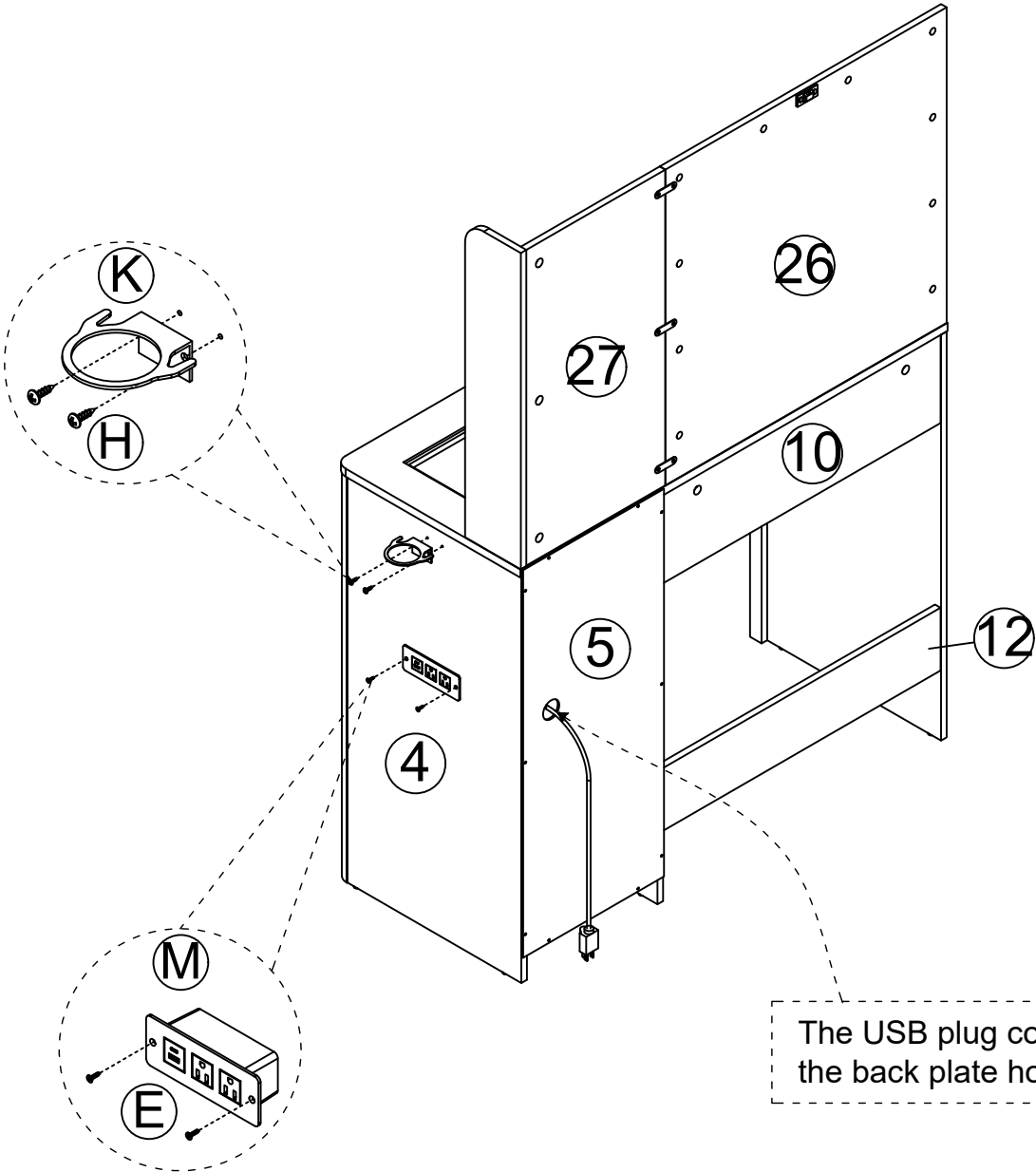


(E)	X2
φ3*12	

(M)	X1
145*55*45	

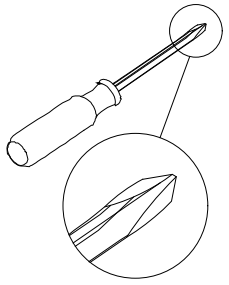
(H)	X2
φ4*12	


(K)	X1
109*99*38.5	

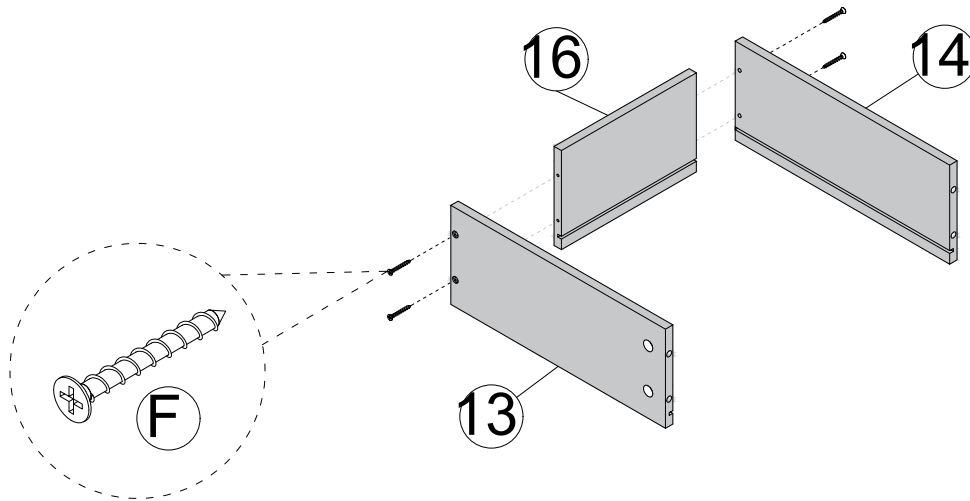


The USB plug comes out of the back plate hole.

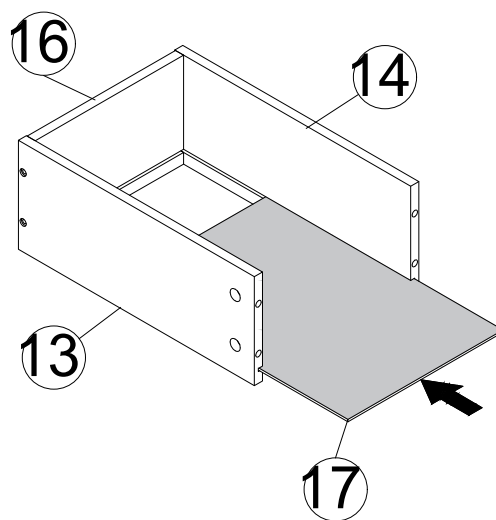
STEP 16



F	X12
	
Ø4*35	

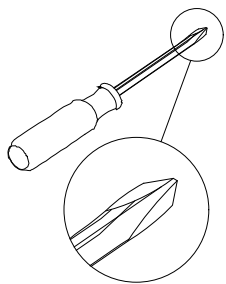


X3



X3

STEP 17



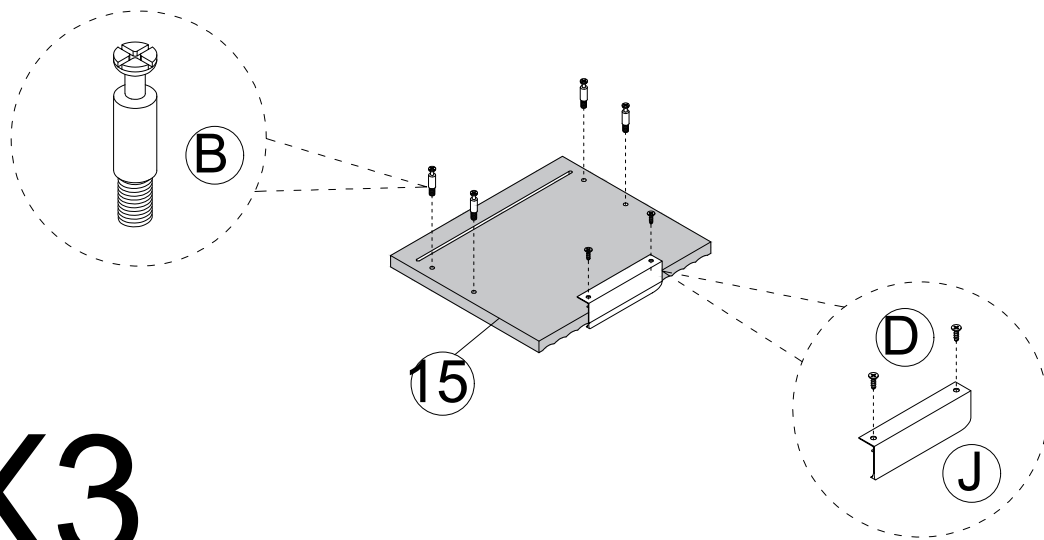
(A)	X12
ø15*9.5	

(B)	X12
ø6.5*35	

(D)	X6
ø3.5*12	

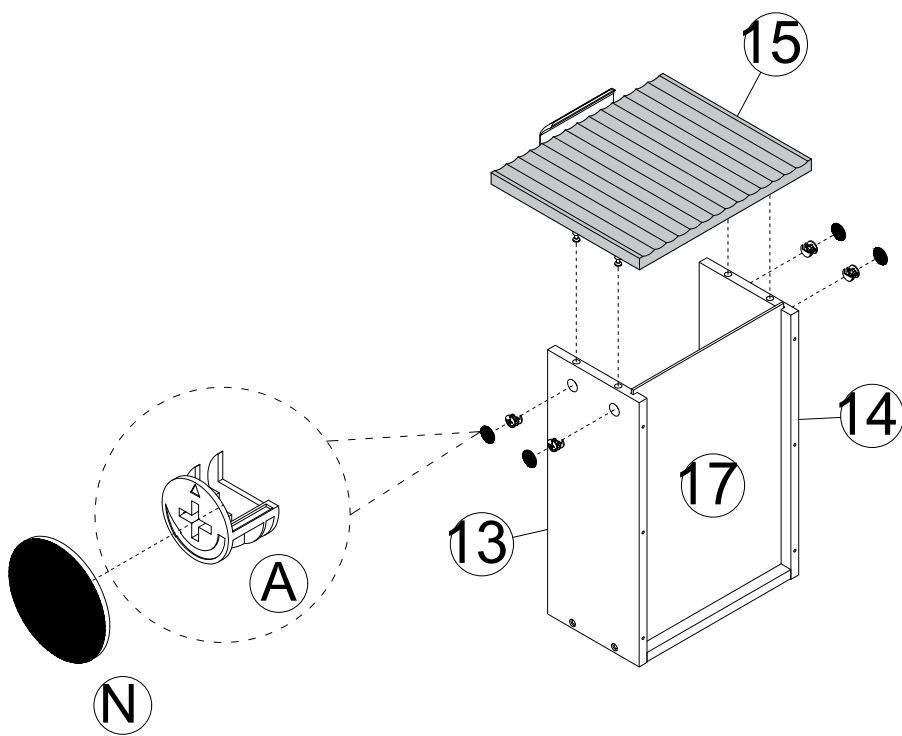
(J)	X3
120*38*17	

(N)	X12
ø21	



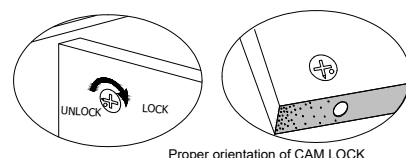
X3

FLIP OVER



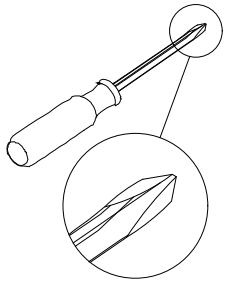
X3

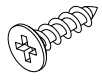
Insert the cam bolt into the hole first, then insert the cam lock and lock it.

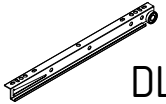


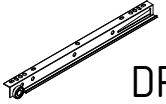
Proper orientation of CAM LOCK

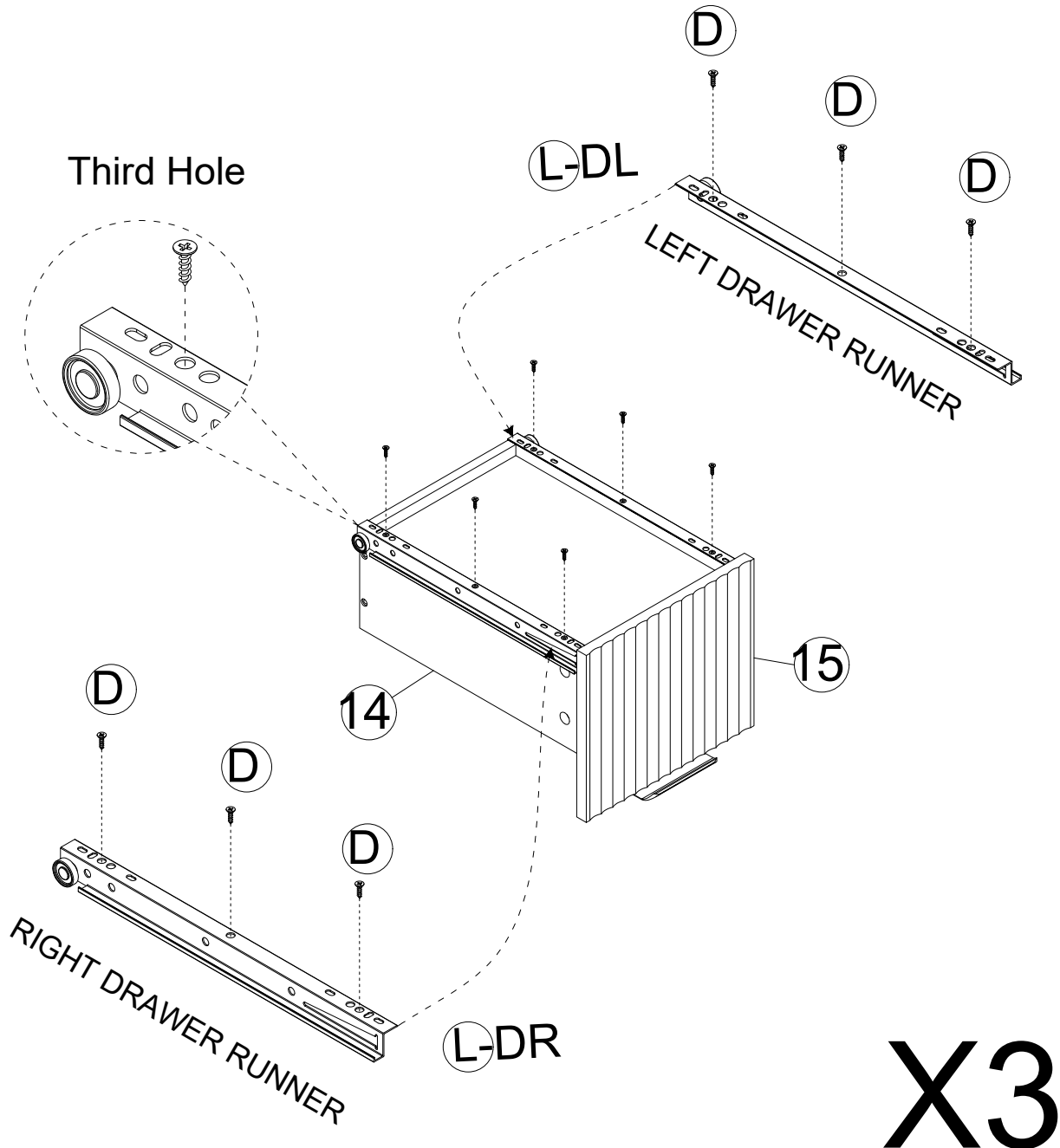
STEP 18



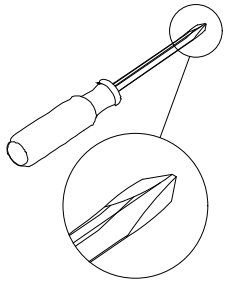
(D)	X18
	
Ø3.5*12	

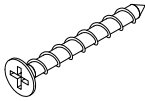
(L)	X3
	
L=350	

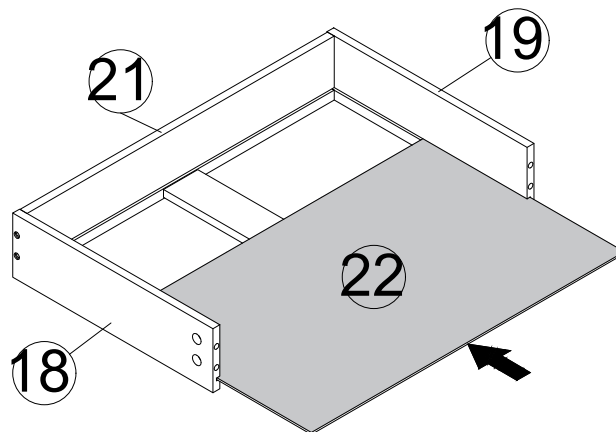
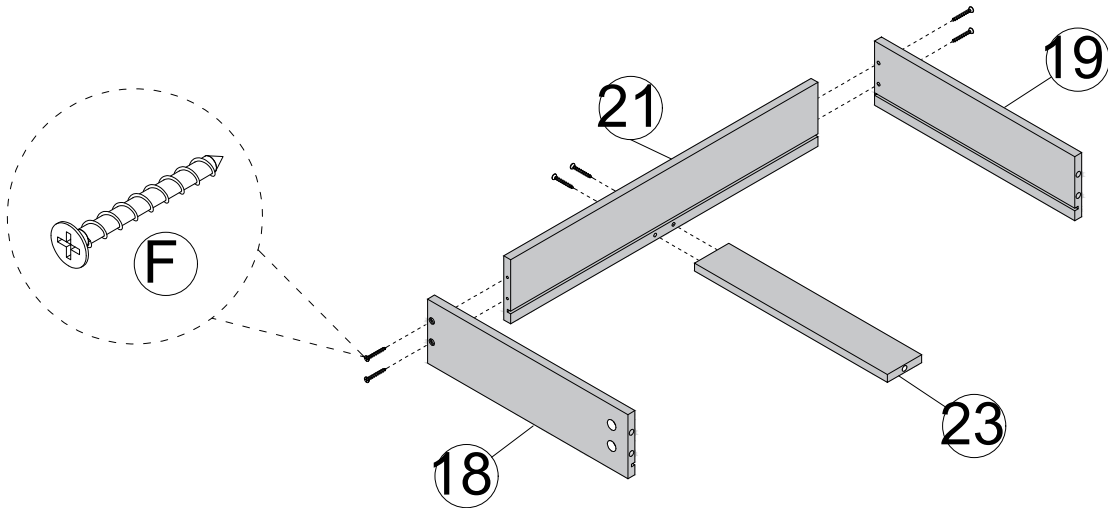
(L)	X3
	
L=350	



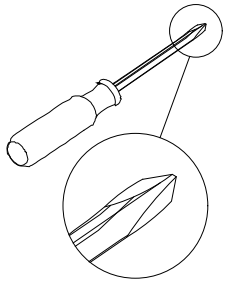
STEP 19

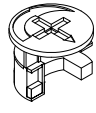


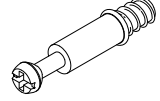
F	X6
	
Ø4*35	




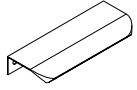
STEP 20




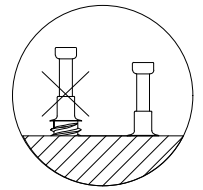
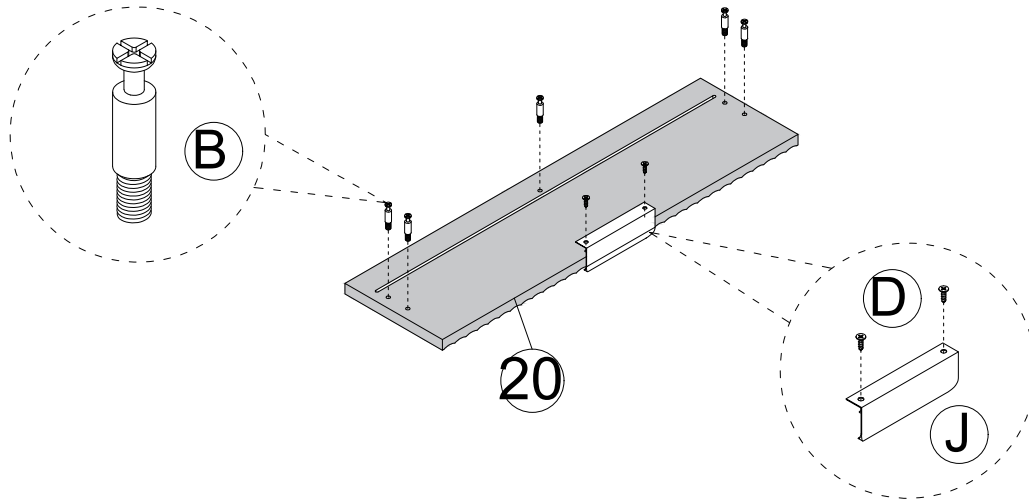
(A)	X5
	
ø15*9.5	

(B)	X5
	
ø6.5*35	

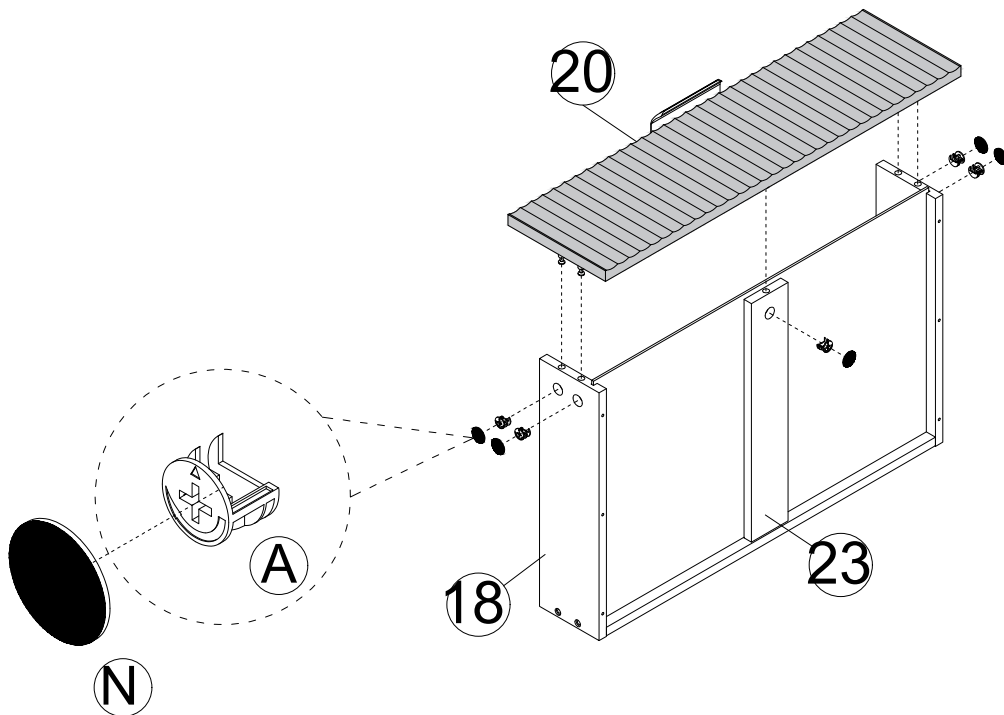
(D)	X2
	
ø3.5*12	

(J)	X1
	
120*38*17	

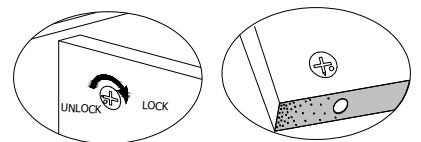
(N)	X5
	
ø21	



FLIP OVER

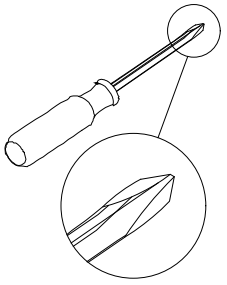


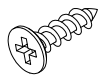
Insert the cam bolt into the hole first, then insert the cam lock and lock it.

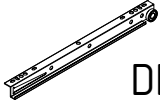


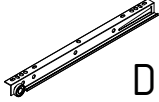
Proper orientation of CAM LOCK

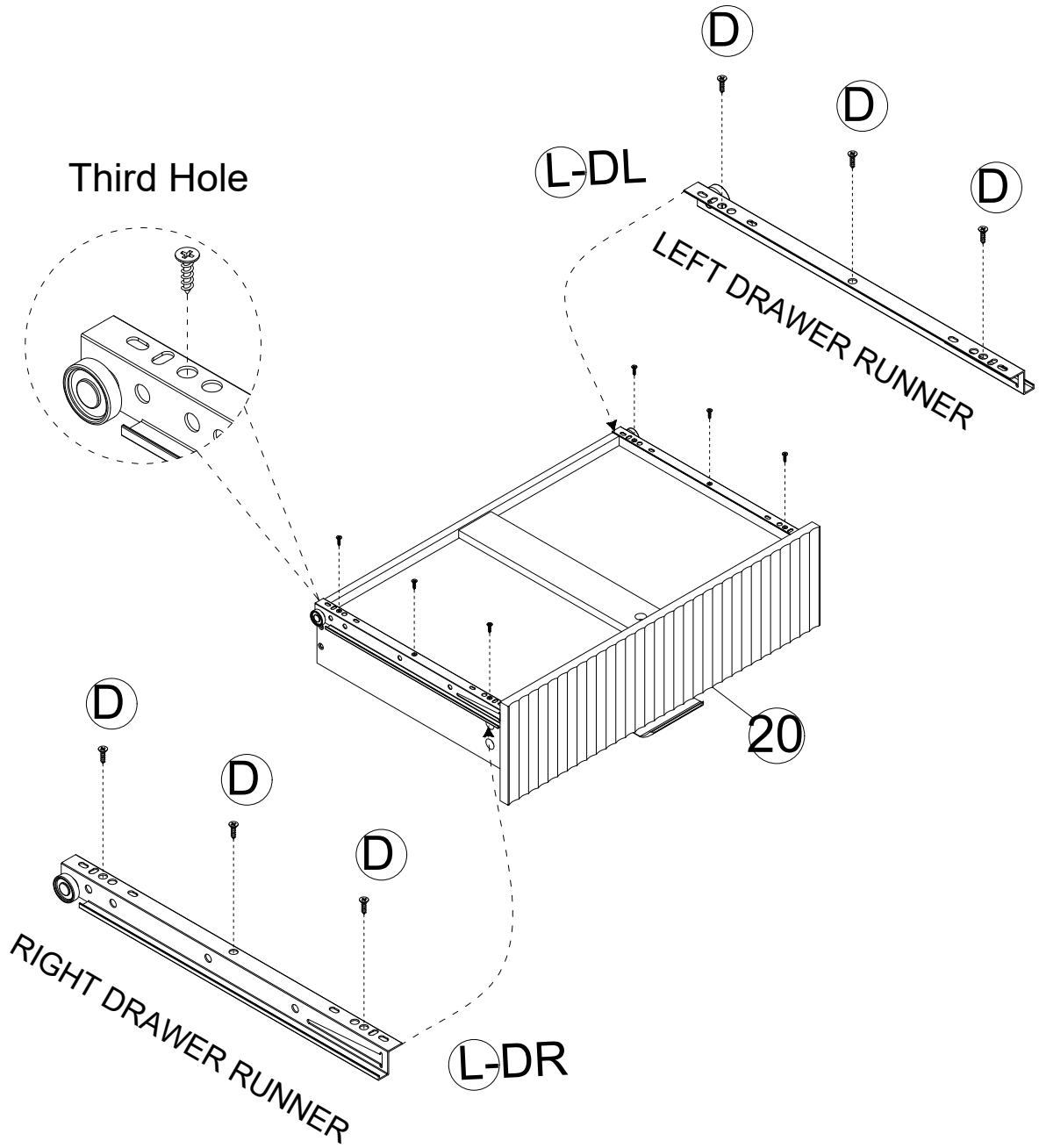
STEP 21



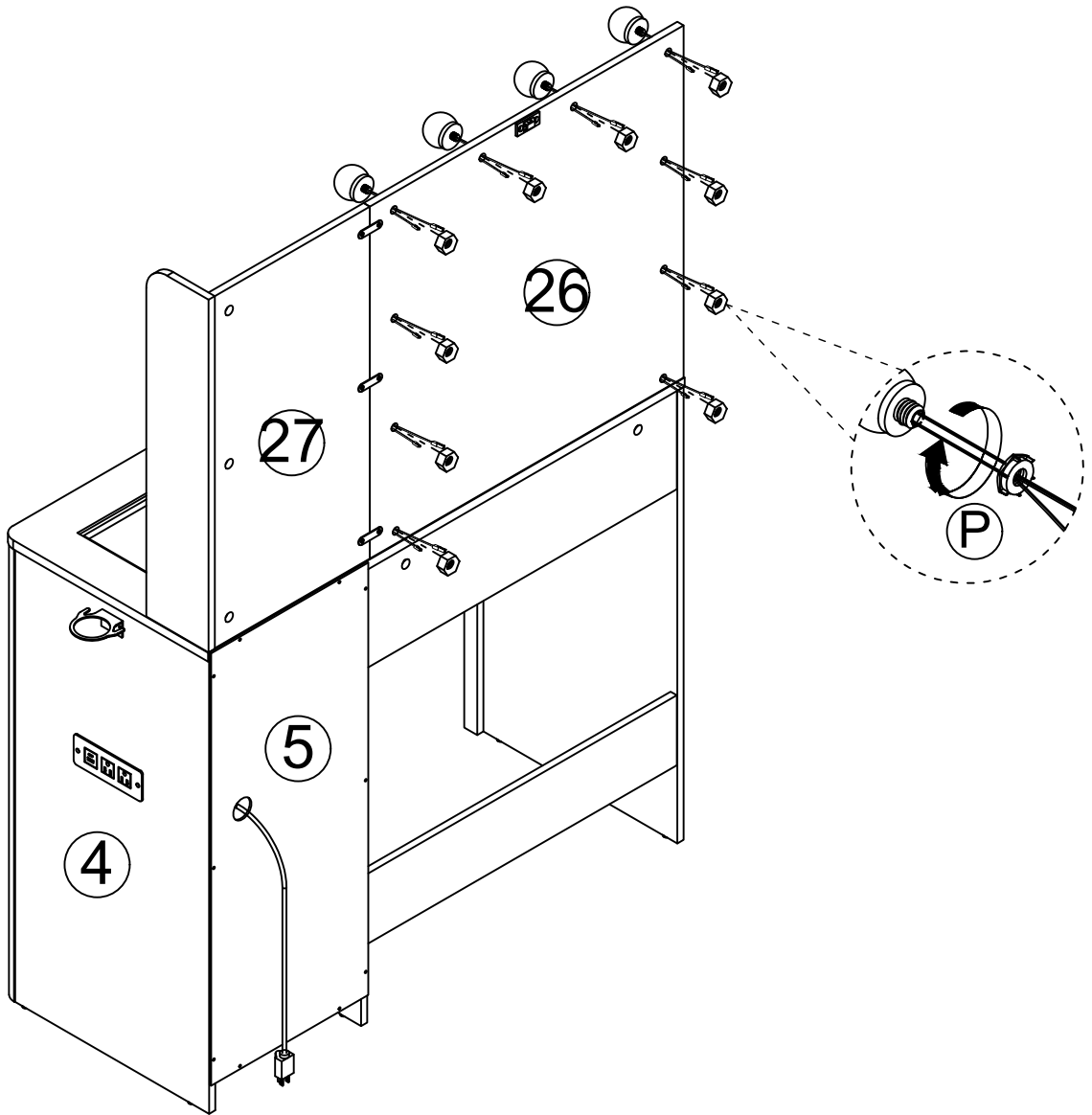
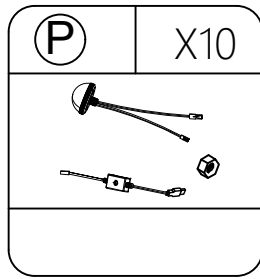
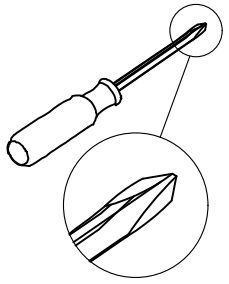
D	X6
	
Ø3.5*12	

L	X1
	
L=350	

L	X1
	
L=350	



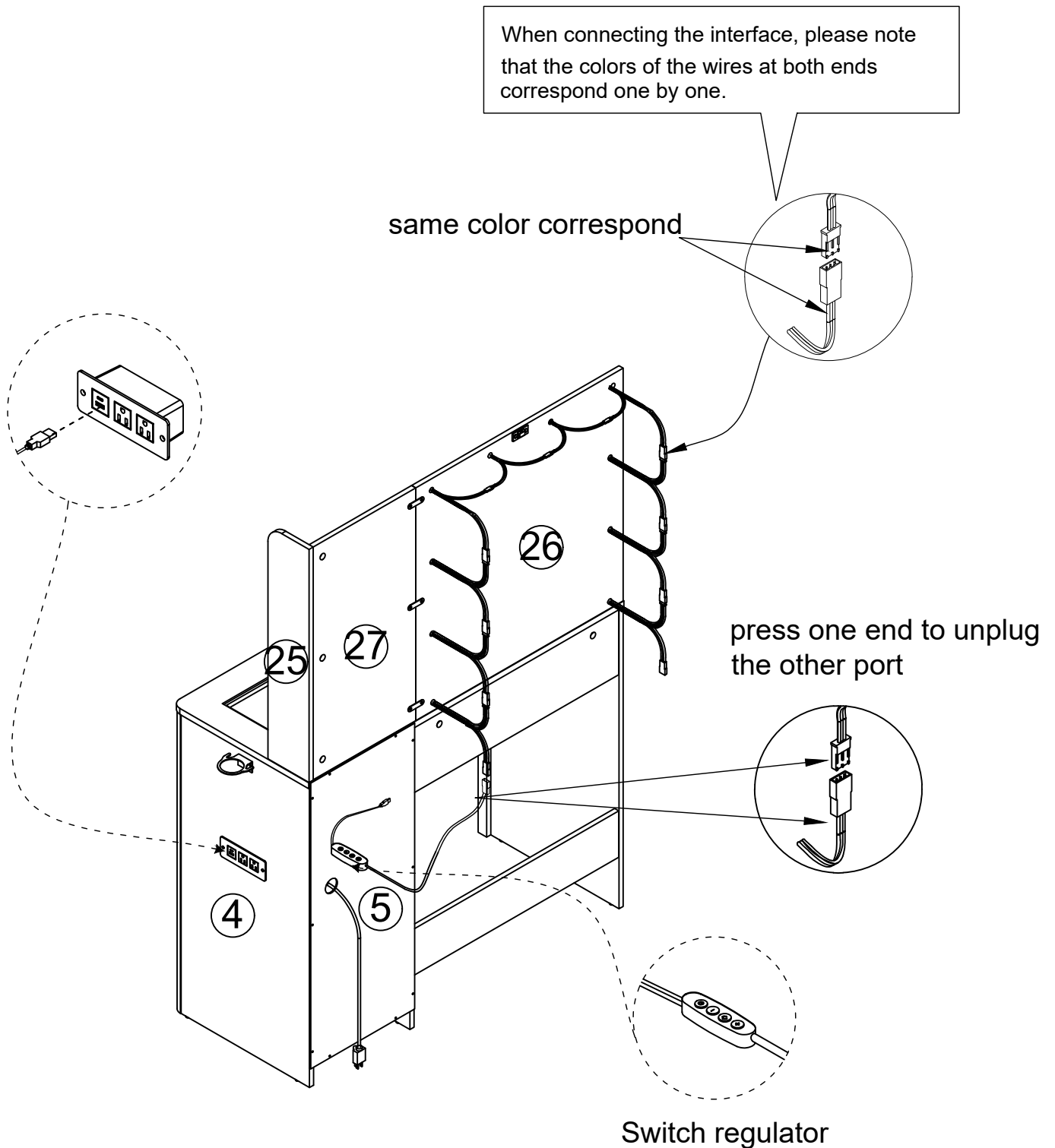
STEP 22



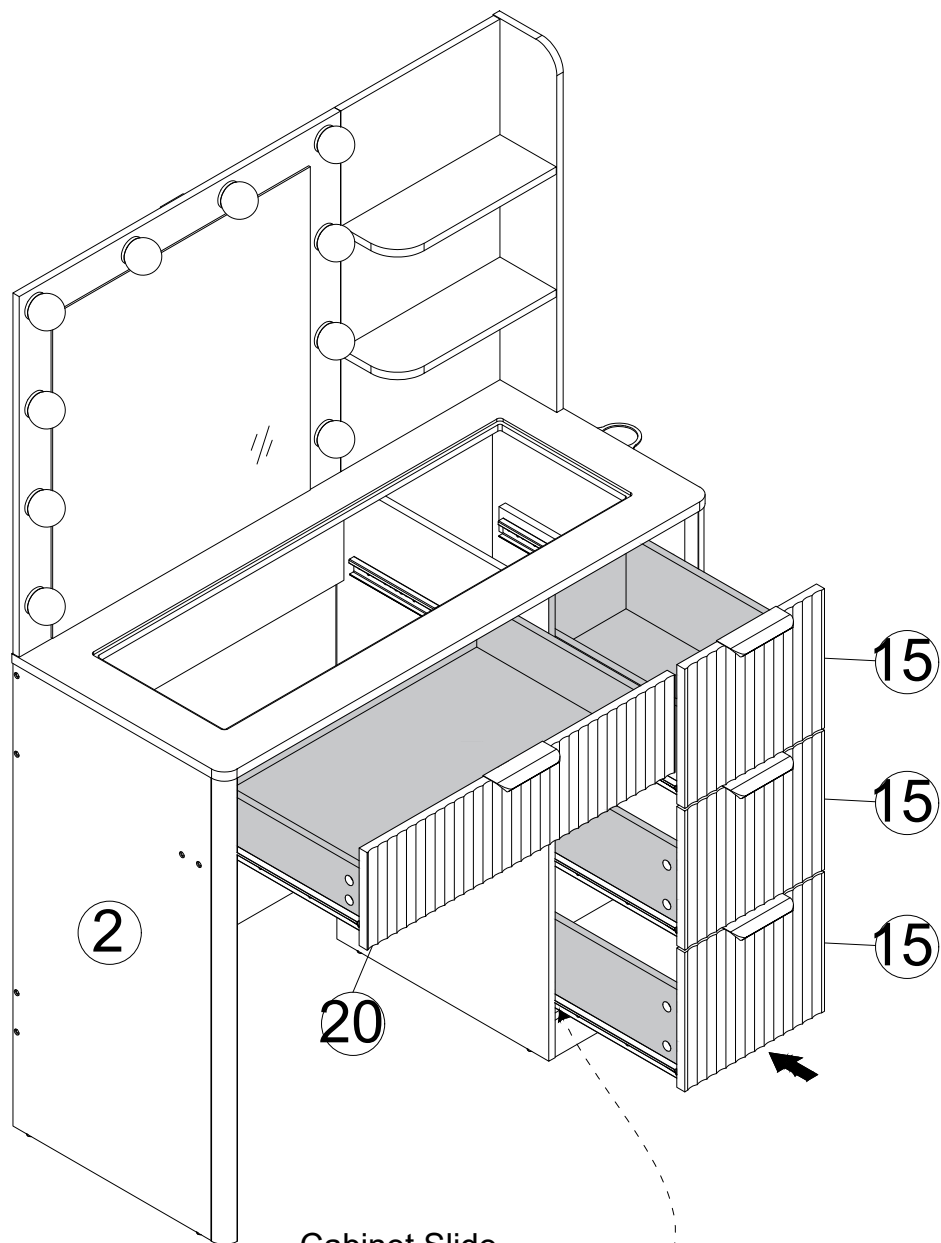
STEP 23

Pass the bulb wire through the pre punched plate, then gently press the bulb and make it adhere to the plate, and then connect the adjacent bulbs successively through the wire head slot on the opposite side (corresponding to the line of the same color).

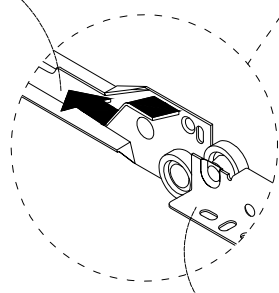
When making up, you can use the switch to turn on or off the light. The dressing table brings you 3 color temperature light modes, touch the button you can easily light up the mirror and change colors to meet your different needs, long press to adjust the brightness.



STEP 24

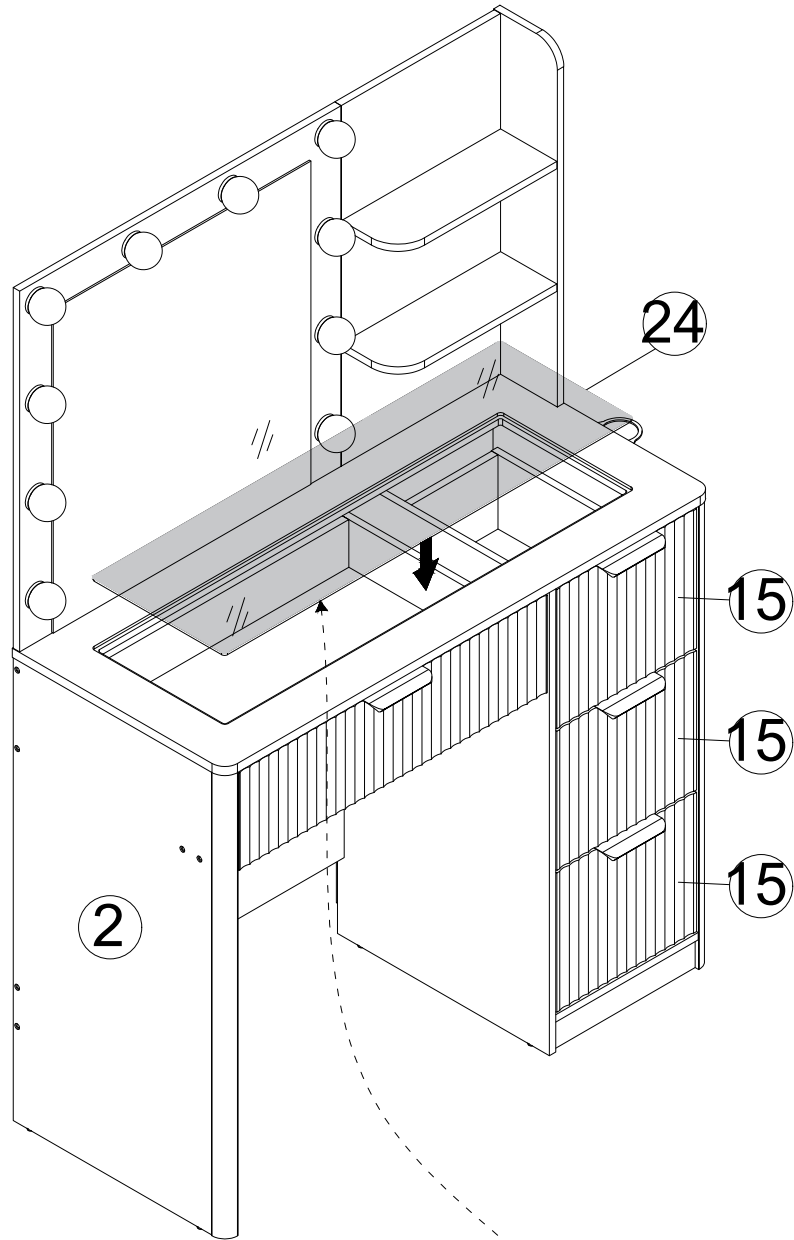


Cabinet Slide



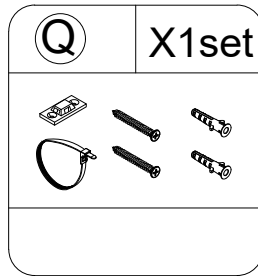
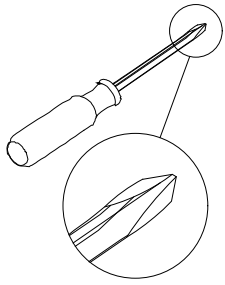
Drawer Slide

STEP 25



Aim the tempered glass at the panel groove and put it vertically down.

STEP 26

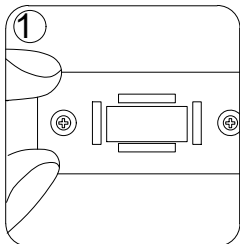


We have included a set of tipping restraint hardware for this unit. You must install this hardware to prevent accidents or injuries that can result from the unit falling. When properly installed, this restraint can provide protection against the unexpected tipping of the unit due to small tremors, bumps or climbing. We strongly recommend mounting this hardware to a wall stud and your unit.

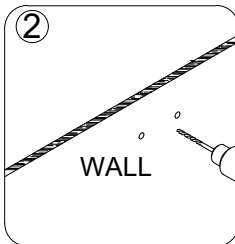
NOTE: The tipping restraint hardware included is for wooden stud wall construction. It must be attached to a wall stud. Depending upon your wall construction different anchor hardware may be required. Please contact your local hardware store for assistance. Young children can be seriously injured by tipping furniture. You must install the tipping restraint hardware with the unit to prevent the unit from tipping, causing any accidents or damage. The tipping restraints are intended only as a deterrent and are not a substitute for proper adult supervision. The tipping restraints are not earthquake restraints. If you wish to add the extra security of earthquake restraints, they must be purchased and installed separately.



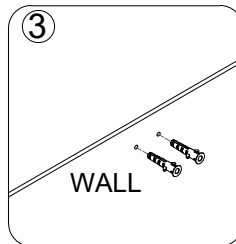
Install the tipping restraint hardware



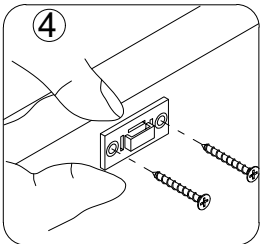
1. make mark on the wall



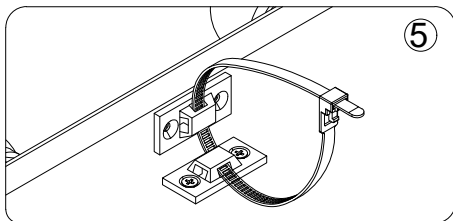
2. drill two Ø6 holes on the wall



3. put two anchors in the holes



4. fix the device on the wall by the long screws



5. Push the cabinet close to the wall so that the two bases are close to each other, and then put on nylon tie to tighten it.

