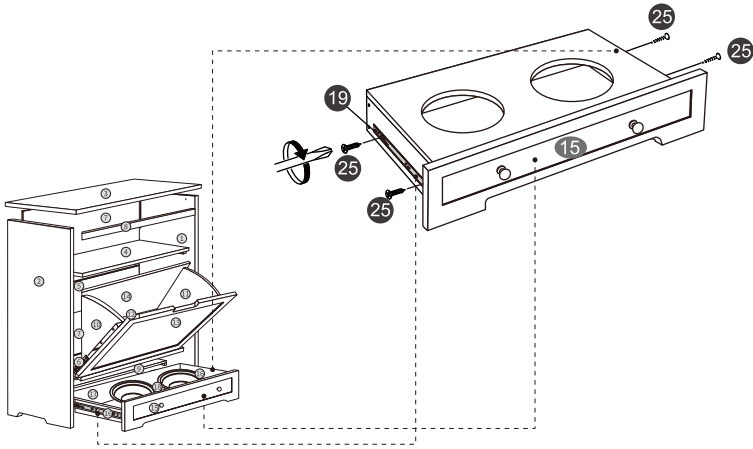
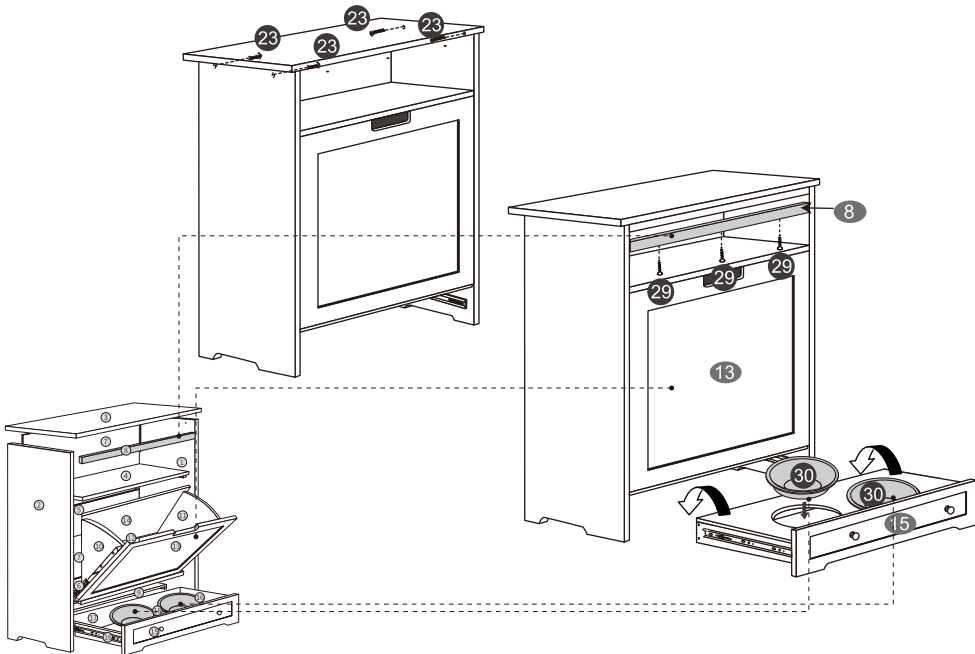


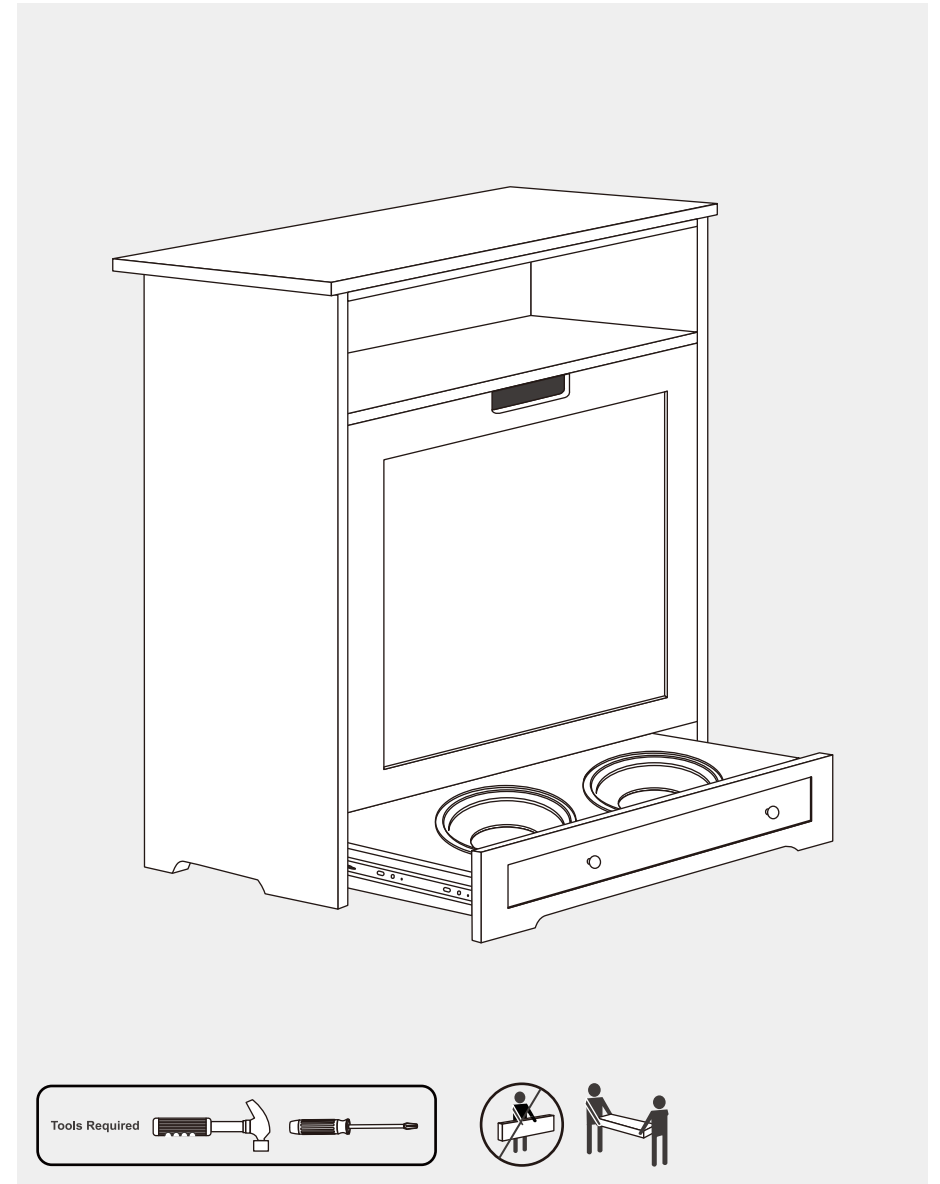
STEP 11



STEP 12



INSTALLATION MANUAL PET FEEDER STORAGE CABINET



updated on 05/18/2022



SUMMARY

INTRODUCTION

PAGE 2

TIPS AND WARNINGS

PAGE 3

PARTS LIST

PAGE 4

INSTALLATION STEPS

PAGE 6

INTRODUCTION

Before using the product ,please read this manual carefully and then assemble it.
To avoid any injury or damage to the product,please follow below safety rules.

- Product to be installed in a dry,flat place indoor.
- Assembly & movement: minimum 2 adults - heavy and fragile product.
- Make sure all screws in the part list included in the hardware package before assembly.
- In the event of a missing items,contact the seller within 48 hours of receiving the product.



ATTENTION

This product is for household use only! And not for commercial use.
Do not use this product for any other over expected purpose. To any commercial use, public or institutional, disclaims all liability and cancels all guarantees.

TIPS AND WARNINGS:

- Do not lean on the shoe cabinet.
- Do not store in a damp room or outdoor.
- Beware of the risks of pinching and puncturing during installation.
- Beware of the risk of mirror damage.

Maintenance :

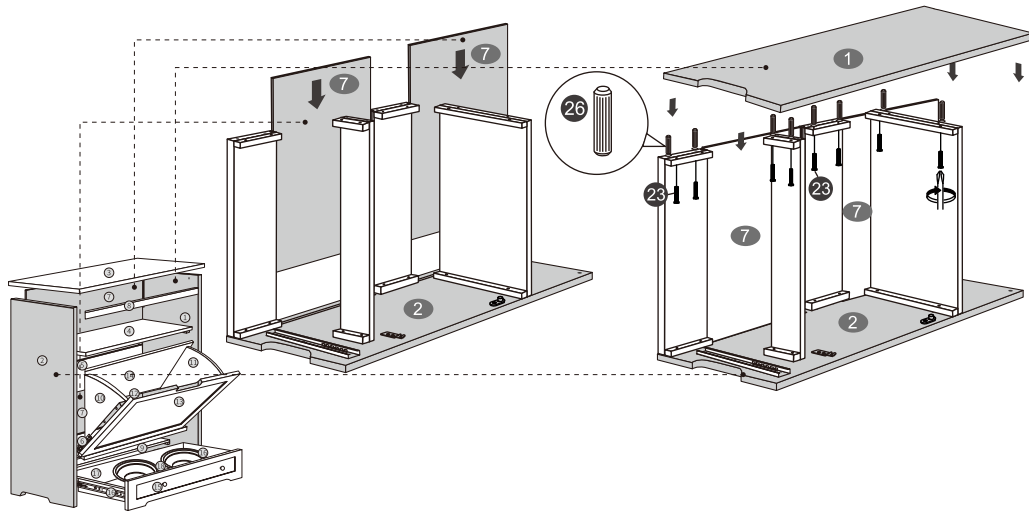
Cleaning with a dry cloth.
Far away from water or wet shoes.

PART LIST

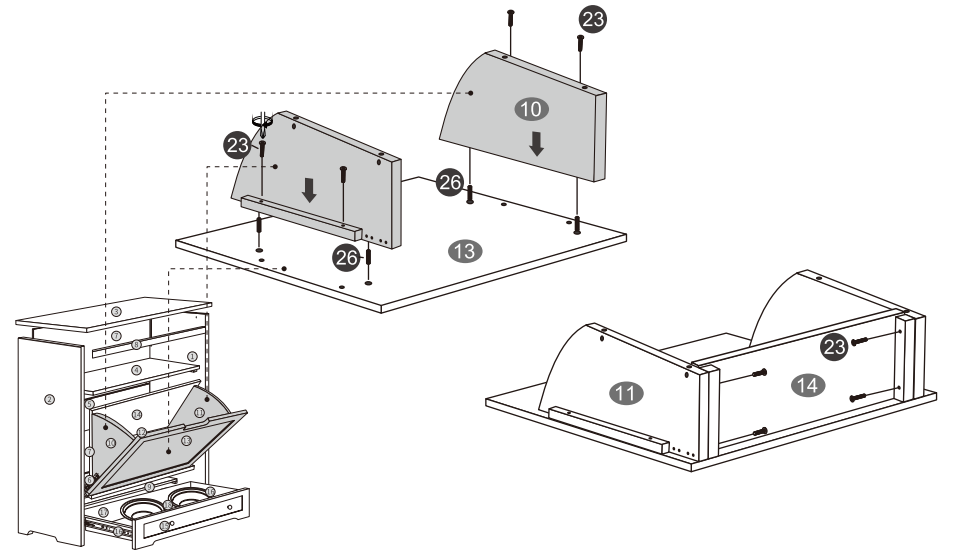
Illustration picture for reference only

NO.	DESCRIPTION	QTY	SIZE	ILLUSTRATION
①	Left side panel	1	796*340*15mm	
②	Right side panel	1	796*340*15mm	
③	Top panel	1	606*355*15mm	
④	Partition panel	1	550*325*12mm	
⑤	Back strip	1	552*110*12mm	
⑥	Back strip	1	552*110*12mm	
⑦	Back panel	2	562*297*3mm	
⑧	Front apron	1	552*30*15mm	
⑨	Bottom brace	1	552*70*12mm	
⑩	Rack right side panel	1	367*225*12mm	
⑪	Rack left side panel	1	367*225*12mm	
⑫	Rack back panel	1	540*310*12mm	
⑬	Rack front panel	1	545*430*15mm	
⑭	Rack bottom panel	1	487*177*12mm	
⑮	Drawer front panel	1	545*108*15mm	
⑯	Drawer side panel	2	280*62*12mm	
⑰	Drawer back panel	1	495*62*12mm	
⑱	Drawer bowl board	1	545*280*12mm	

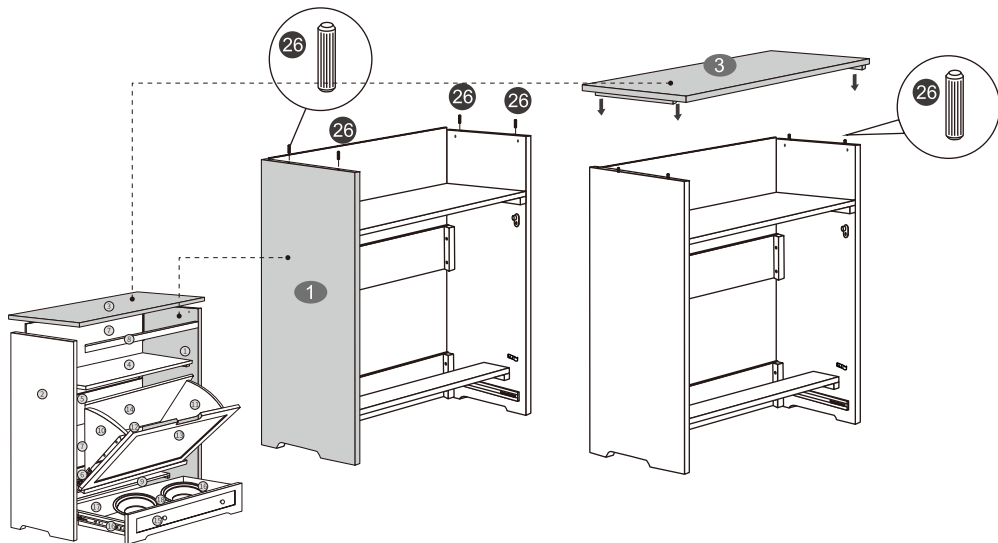
STEP 3



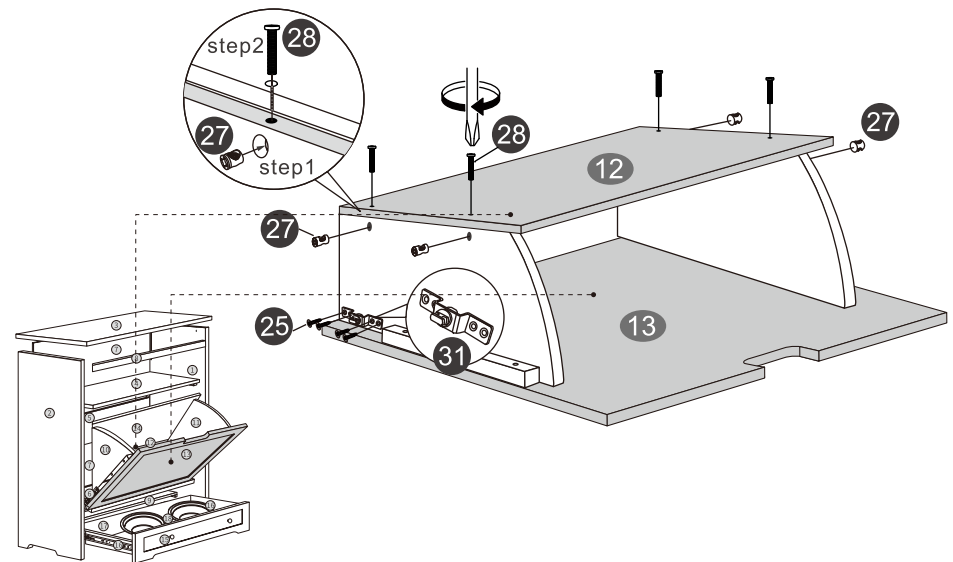
STEP 5



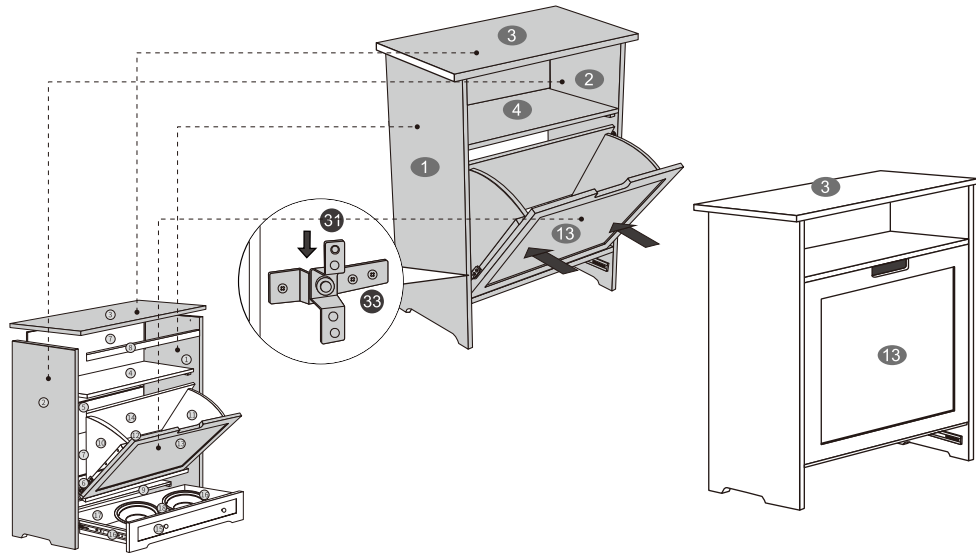
STEP 4



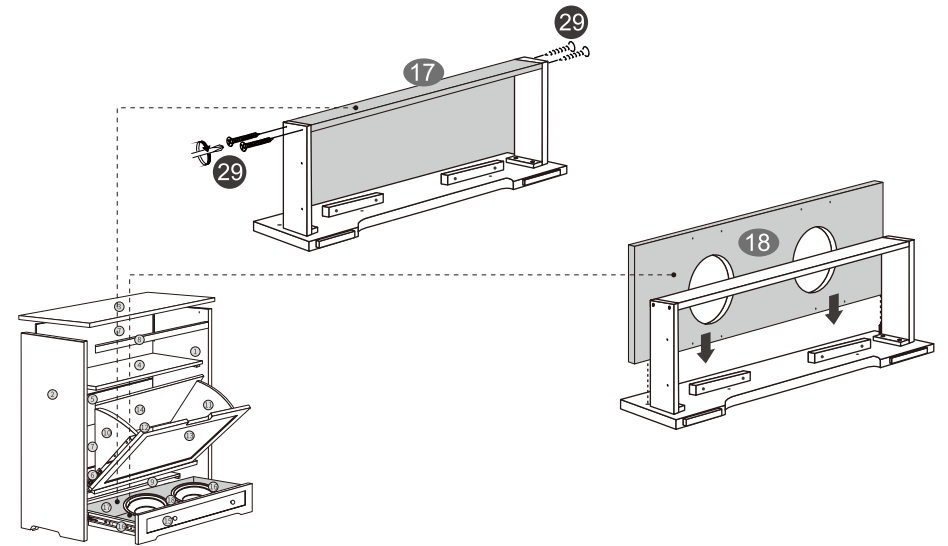
STEP 6



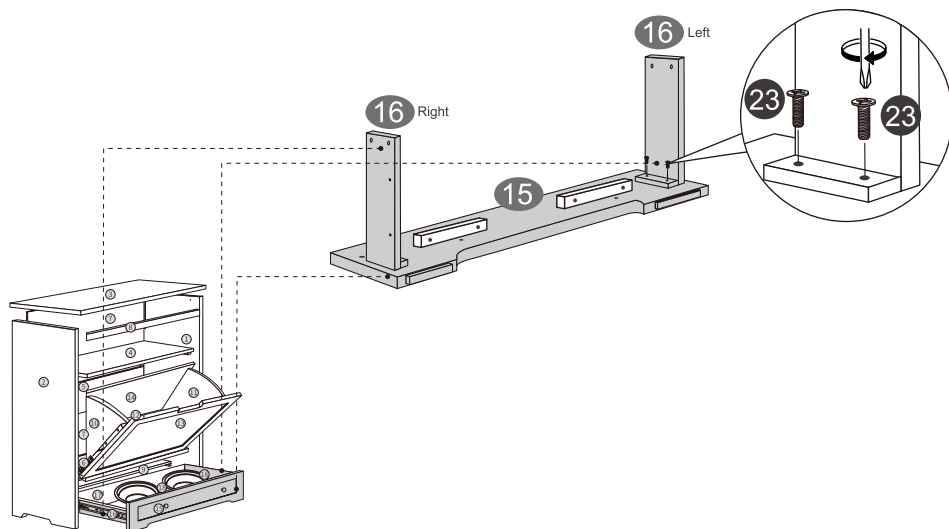
STEP 7



STEP 9



STEP 8



STEP 10

