

## Assembly Guide

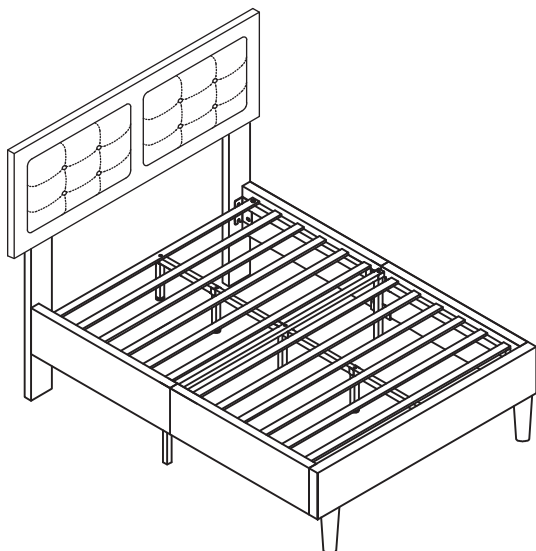
### Tips!

Check all the components & screws before assembly. **Do not install in case part is missing, contact us to get.**

### Return Policy

We believe you will absolutely love your new item. But if for some reason you want to return, please contact us directly before you decide to return your product. Our customer service organization can answer most concerns and assist you with any questions you may have about your new item.

The item must be returned within 30 days of delivery for a full refund. The item must be returned in good condition, in original box, with all original proof of purchase, parts and accessories.

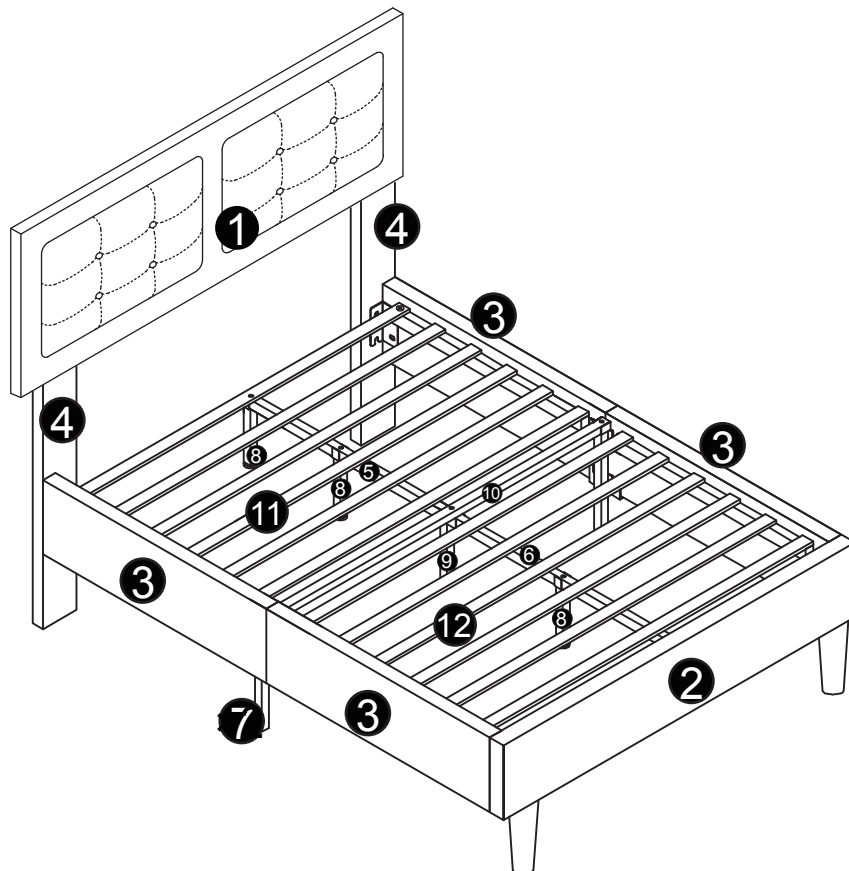
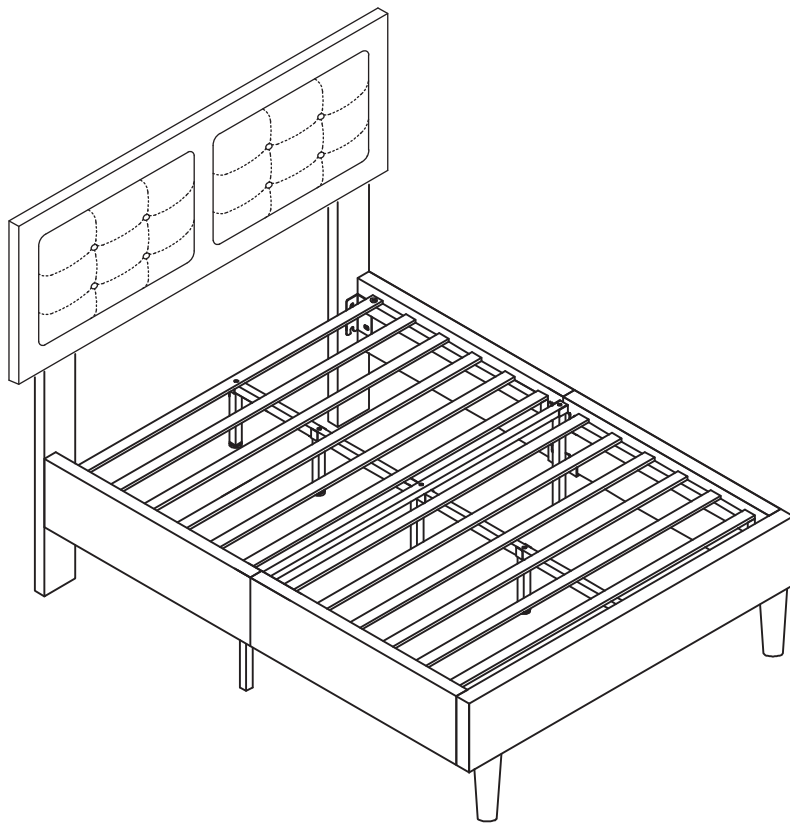


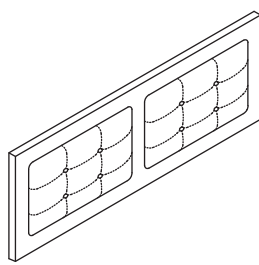
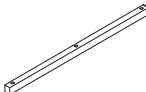

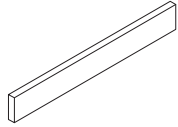
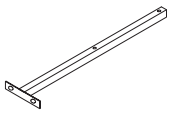
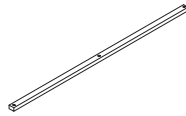
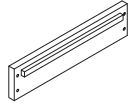

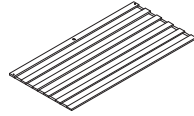


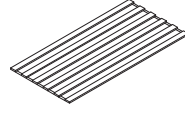
Item Description: Bed Frame

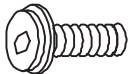
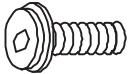
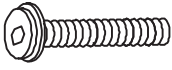
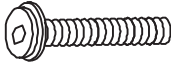








Dimension: TWIN:106\*195\*(93-113)cm

FULL:144\*195\*(93-113)cm

QUEEN:159.5\*207\*(93-113)cm

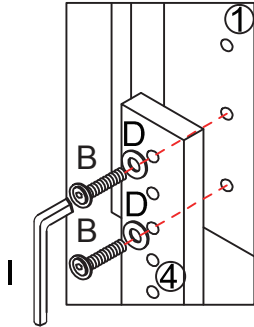


<p><b>1</b></p> 	1	<p><b>5</b></p> 	1	<p><b>9</b></p> 	1
	TWIN:106*48*7.2cm		TWIN:84.5*2.5*2.5cm		TWIN:32.4*8*3.1cm
	FULL:144*48*7.2cm		FULL:84.5*2.5*2.5cm		FULL:32.4*8*3.1cm
	QUEEN:159*48*7.2cm		QUEEN:90.5*2.5*2.5cm		QUEEN:32.4*8*3.1cm
<p><b>2</b></p> 	1	<p><b>6</b></p> 	1	<p><b>10</b></p> 	1
	TWIN:100*15.2*2.5cm		TWIN:97.9*8*2.5cm		TWIN:95*2.4*1.2cm
	FULL:138*15.2*2.5cm		FULL:97.9*8*2.5cm		FULL:133*2.4*1.2cm
	QUEEN:153.5*15.2*2.5cm		QUEEN:103.7*8*2.5cm		QUEEN:148.5*2.4*1.2cm
<p><b>3</b></p> 	4	<p><b>7</b></p> 	2	<p><b>11</b></p> 	1
	TWIN:95.3*15.2*4.5cm		TWIN:34.6*7.5*4.3cm		TWIN:95*5.2*1.2cm
	FULL:95.3*15.2*4.5cm		FULL:34.6*7.5*4.3cm		FULL:133*5.2*1.2cm
	QUEEN:100.8*15.2*4.5cm		QUEEN:34.6*7.5*4.3cm		QUEEN:148.5*5.2*1.2cm
<p><b>4</b></p> 	2	<p><b>8</b></p> 	3	<p><b>12</b></p> 	1
	TWIN:83*7*2.5cm		TWIN:32.4*3.1*2.5cm		TWIN:95*5.2*1.2cm
	FULL:83*7*2.5cm		FULL:32.4*3.1*2.5cm		FULL:133*5.2*1.2cm
	QUEEN:83*7*2.5cm		QUEEN:32.4*3.1*2.5cm		QUEEN:148.5*5.2*1.2cm

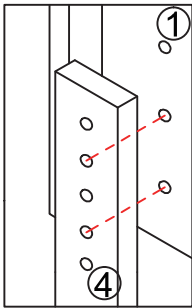
<p><b>A</b></p>	 <p>Bolt M8 x 25</p>	<p>2</p>	<p><b>A-1</b></p>	 <p>Preinstalled on components Bolt M8 x 25</p>	<p>4</p>
<p><b>B</b></p>	 <p>Bolt M8 x 45</p>	<p>4</p>	<p><b>C</b></p>	 <p>Bolt M8 x 45</p>	<p>5</p>
<p><b>D</b></p>	 <p>Spacer</p>	<p>4</p>	<p><b>E</b></p>	 <p>Angle iron</p>	<p>2</p>
<p><b>F</b></p>	 <p>Foot</p>	<p>2</p>	<p><b>G</b></p>	 <p>Angle iron (Left)</p>	<p>1</p>
<p><b>H</b></p>	 <p>Angle iron (Right)</p>	<p>1</p>	<p><b>I</b></p>	 <p>Allen Key M5</p>	<p>1</p>
<p><b>J</b></p>	 <p>Screw M4 x 25</p>	<p>2</p>	<p><b>L-1</b></p>	 <p>Preinstalled on components Bolt M8 x 18</p>	<p>22</p>

# Step 1

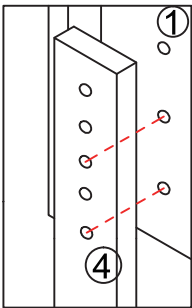
Each pair of holes corresponds to a mattress thickness as shown below



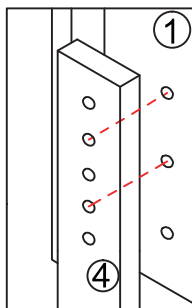
Use these holes to fit a 12 inch thick mattress (44.5inch tall overall)



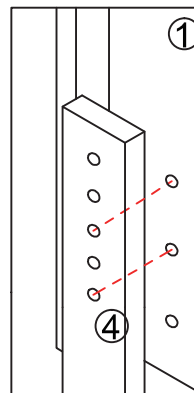
Use these holes to fit a 10 inch thick mattress (42.5 inch tall overall)



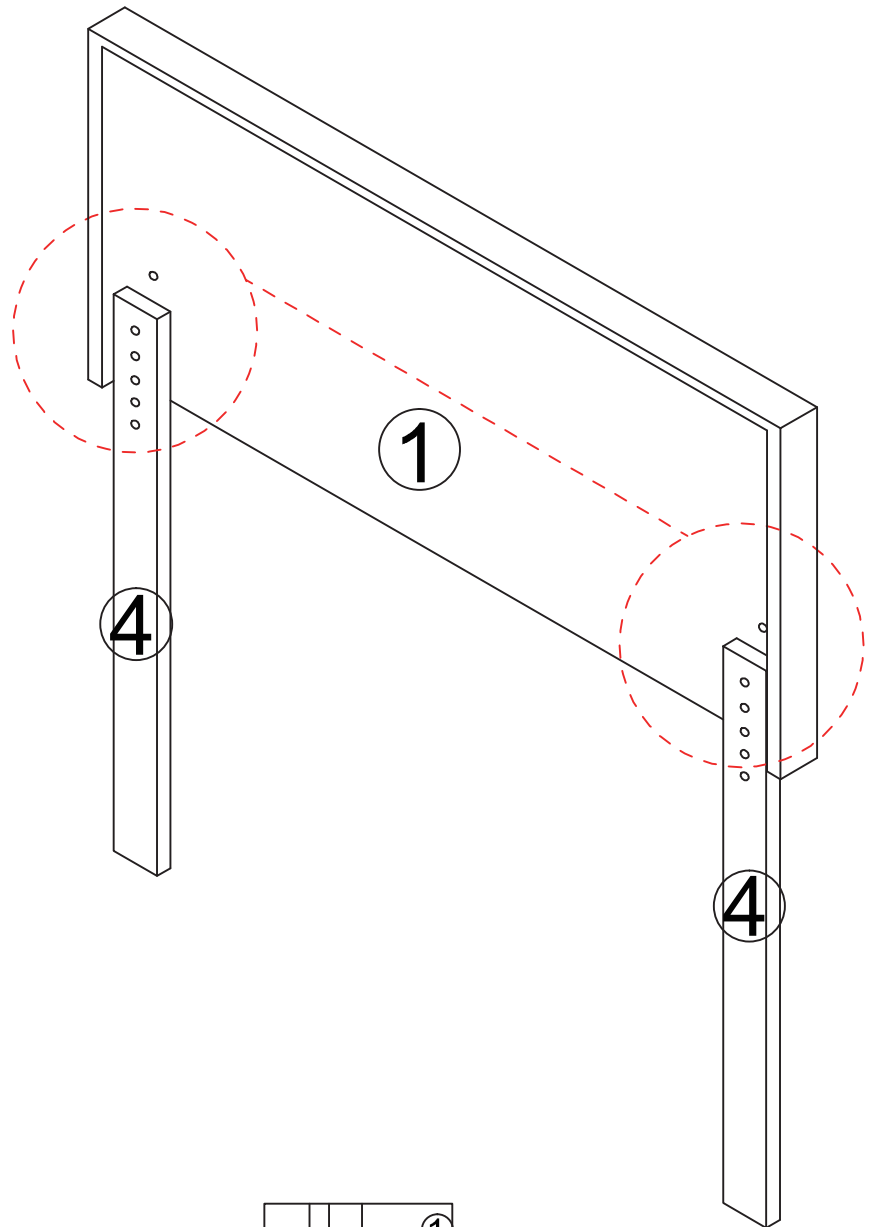
Use these holes to fit a 8 inch thick mattress (40.6 inch tall overall)







Use these holes to fit a 6 inch thick mattress (38.6 inch tall overall)

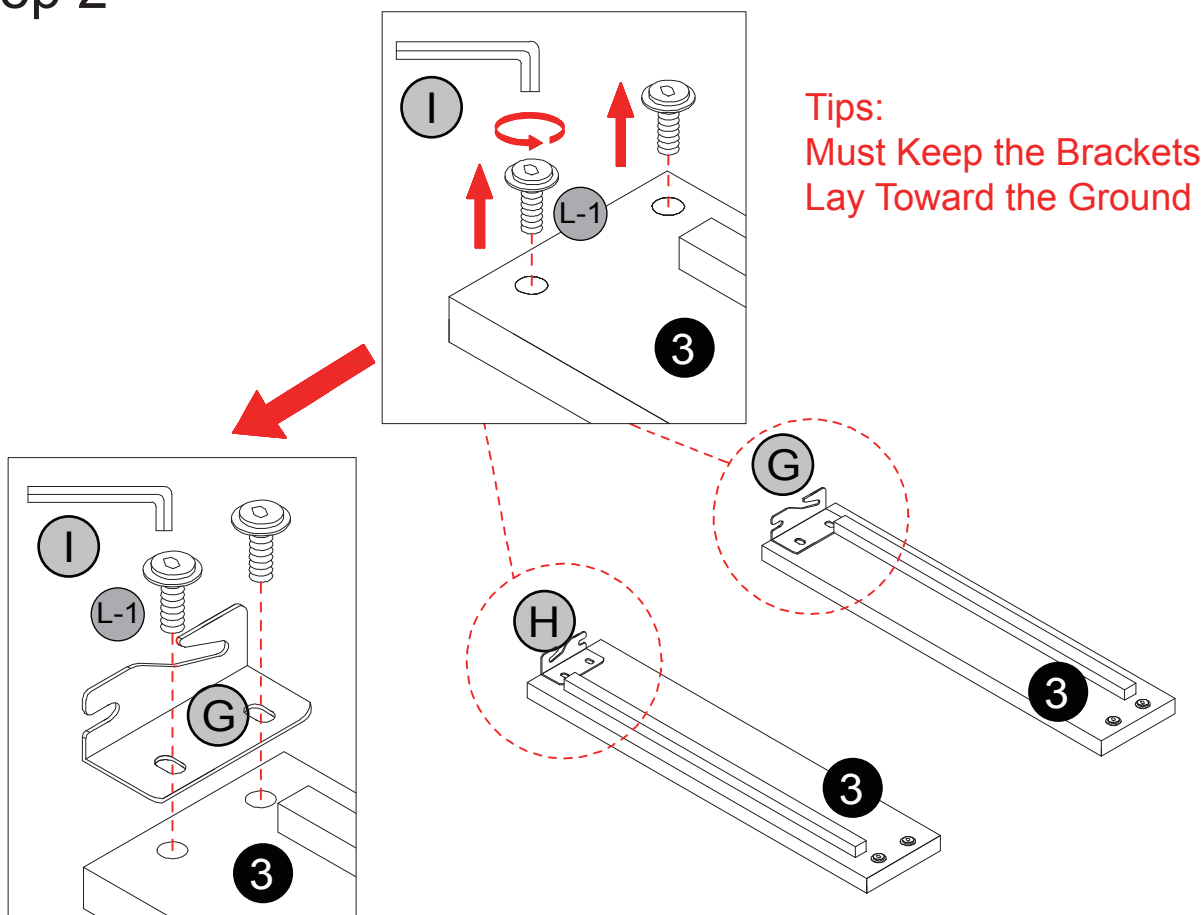


Use these holes to fit a 4 inch thick mattress (36.6 inch tall overall)


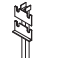



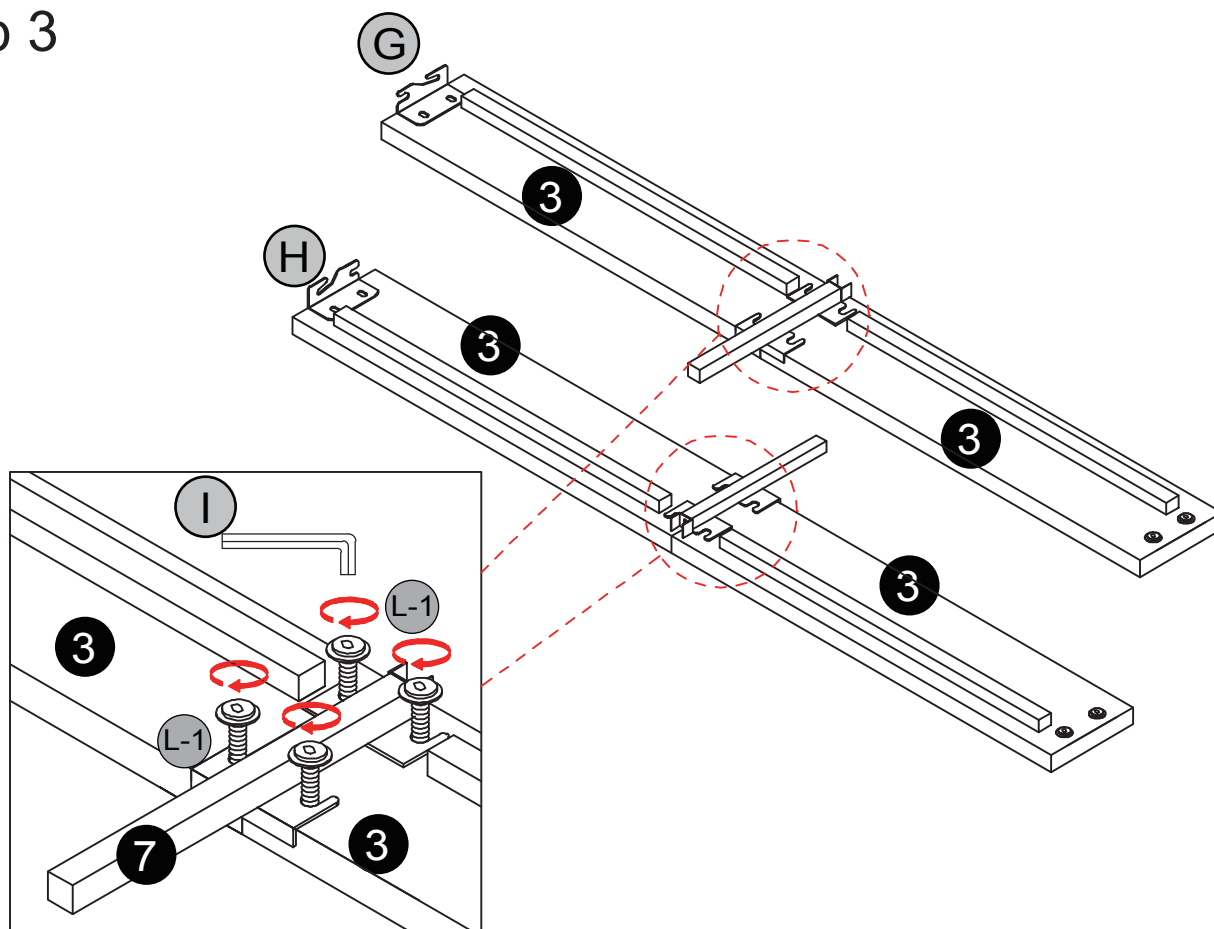
## Step 2

	L-1 x 4		Gx1		Hx1		I x1
--	---------	---	-----	--	-----	--	------



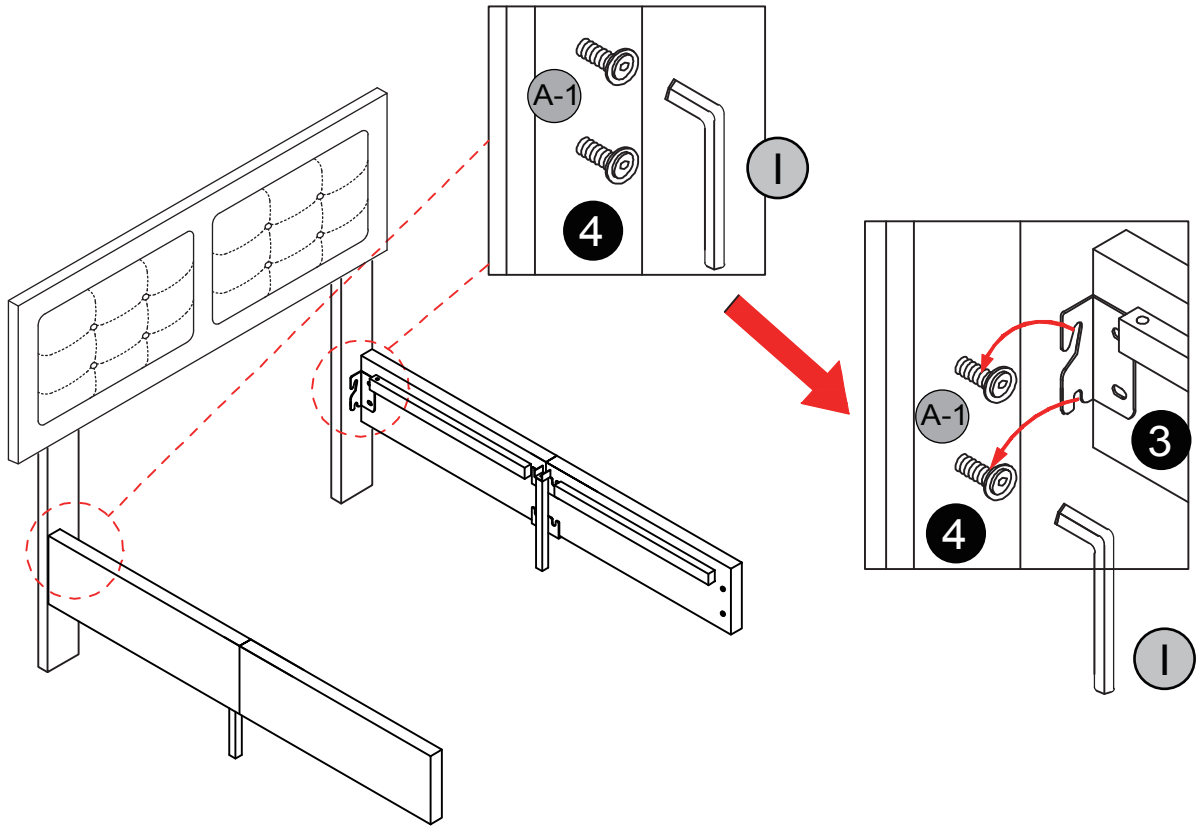
## Step 3

	L-1 x 8		7 x2		I x1
--	---------	---	------	---	------





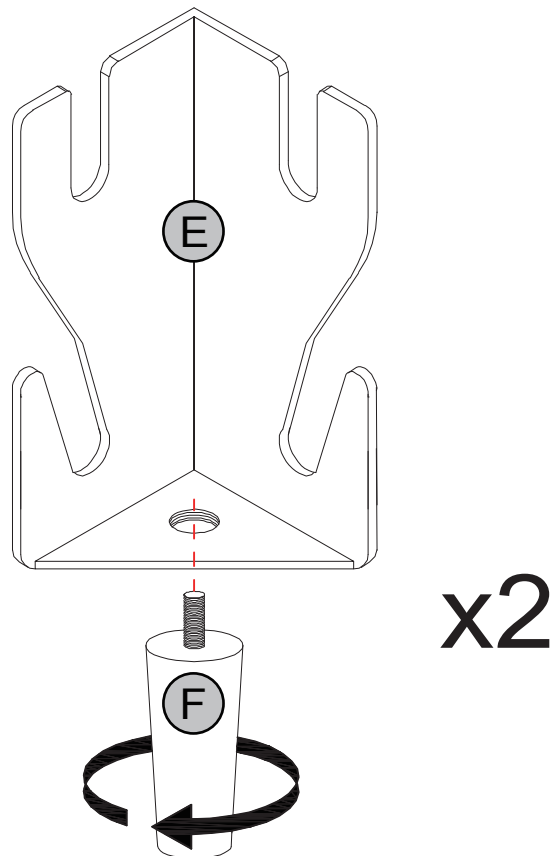
# Step 4

 A-1 x 4  I x1




# Step 5

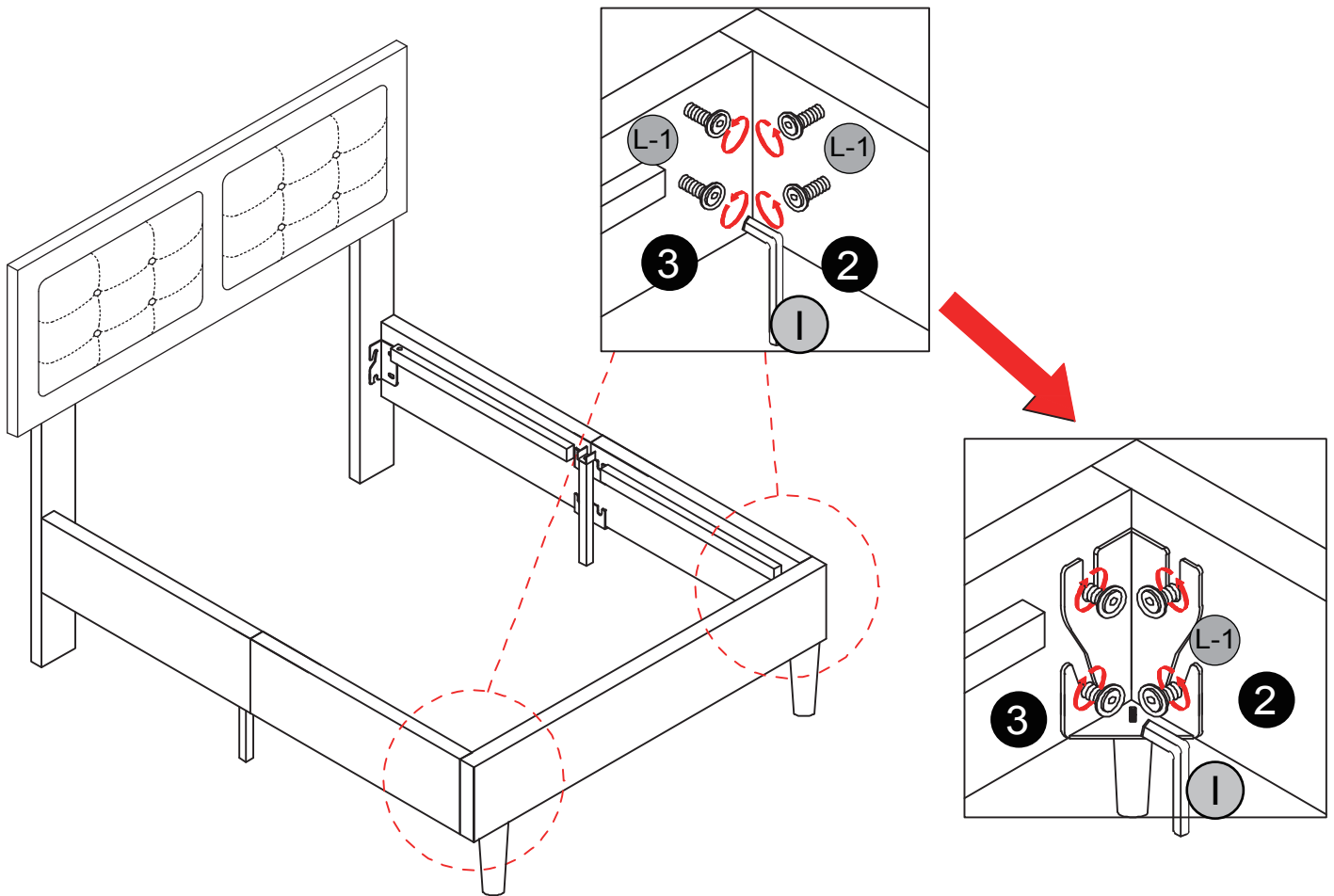
 Ex2  Fx2






# Step 6

	L-1 x 8		1 x 1
--	---------	--	-------

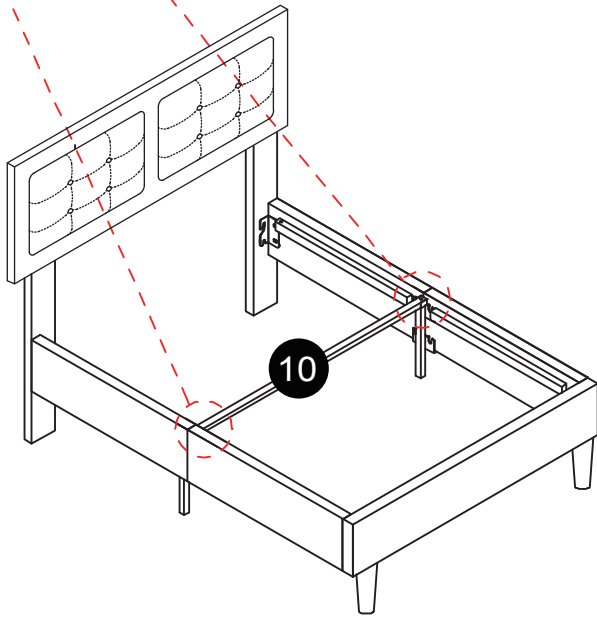
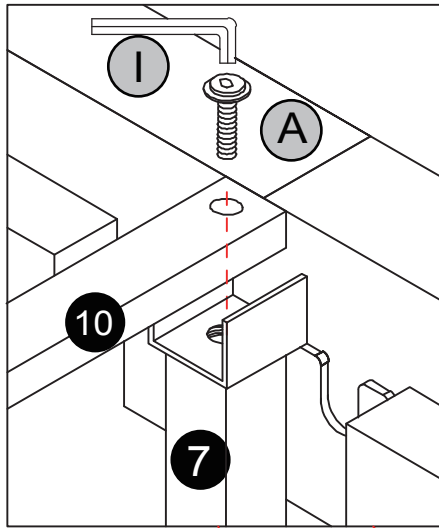
Tips:  
Loose the Preinstalled  
4 Screws for leg  
Installation, and Then  
Tighten Them Again



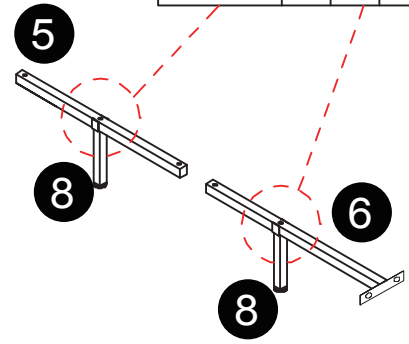
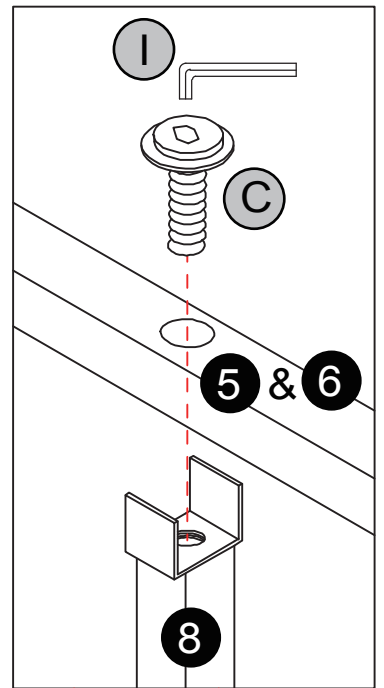
# Step 7

	Ax2		Cx2		Ix1
---	-----	--	-----	--	-----




## 7-1

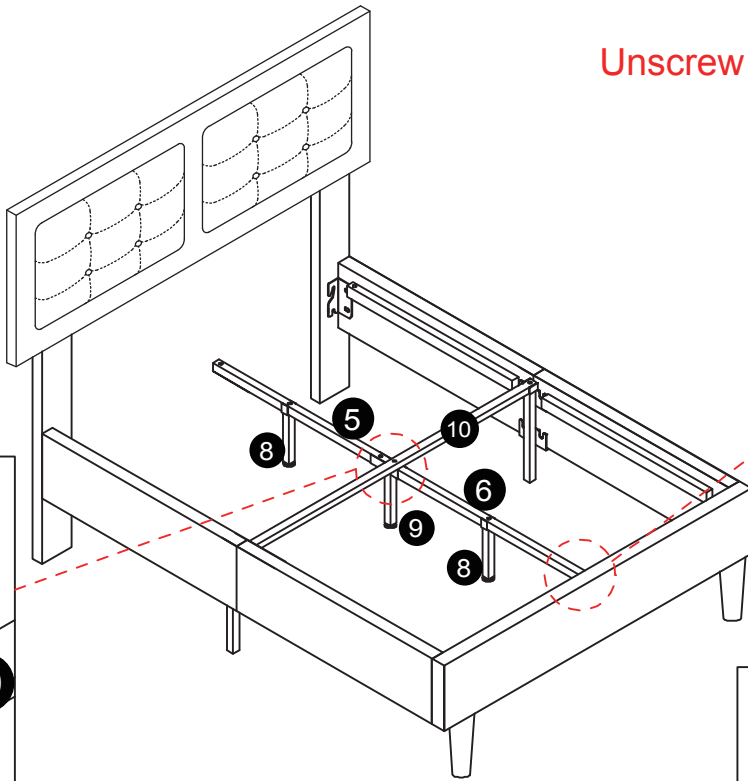


## 7-2



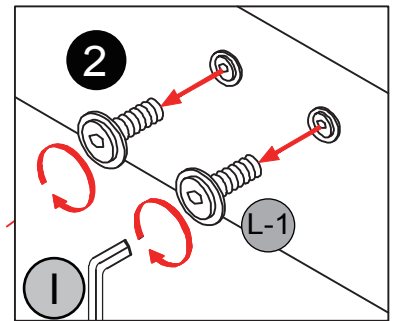
# Step 8

	L-1 x 2		Cx2		Ix1
--	---------	--	-----	--	-----

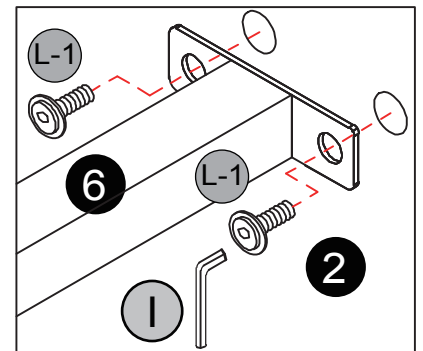


Unscrew the original screw

8-1

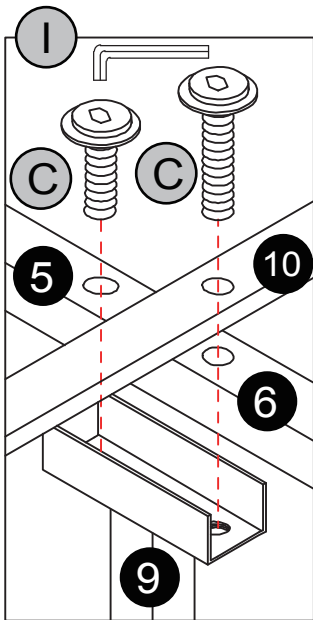


8-2 ↓



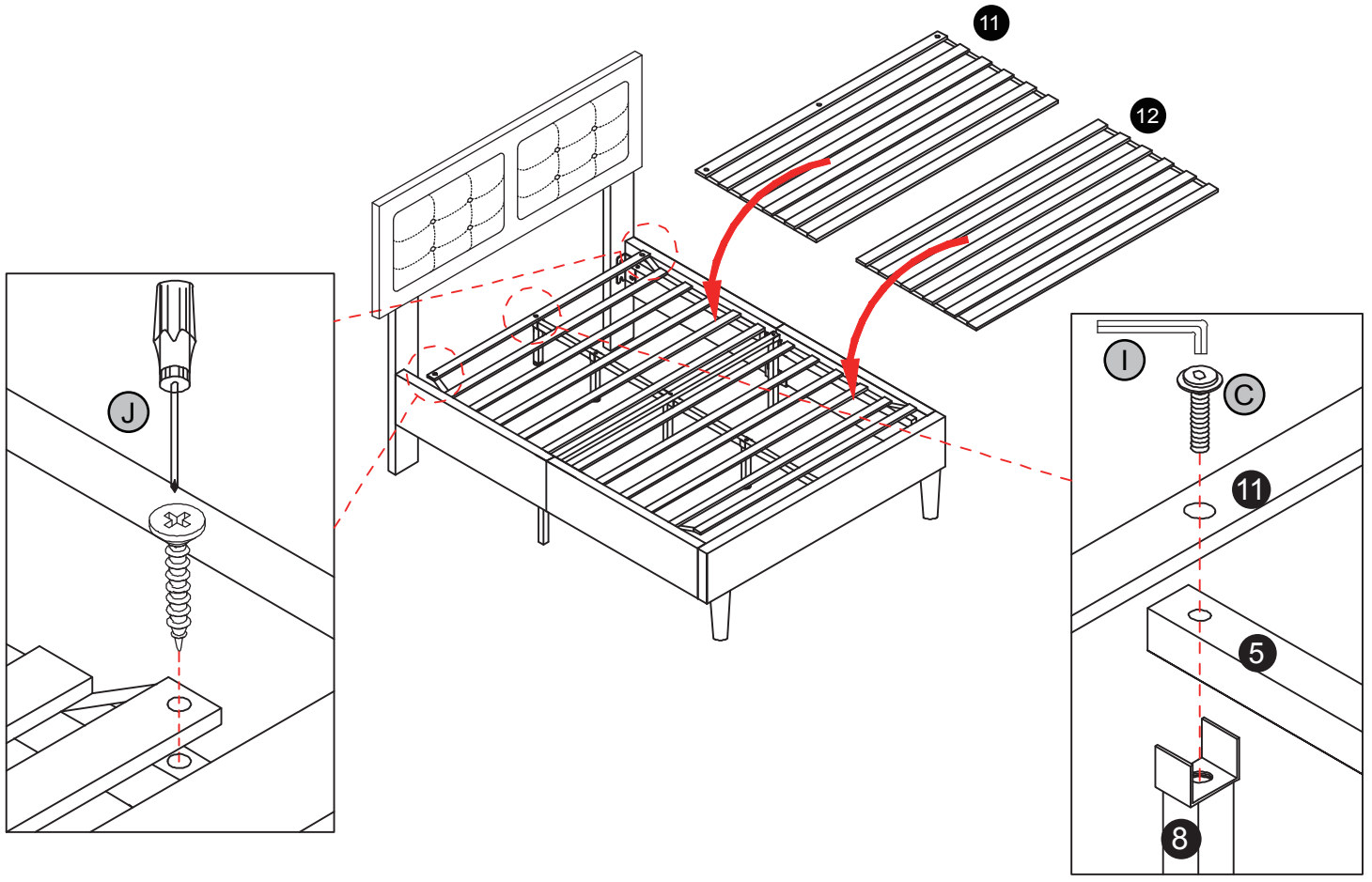
Tighten the original screw

8-3

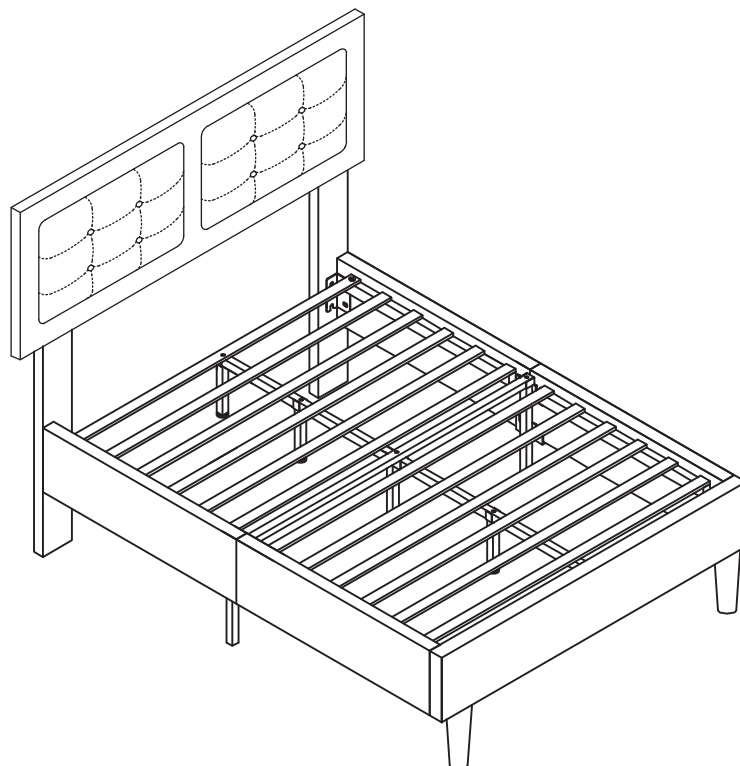


# Step 9

	Cx1		Jx2		lx1
--	-----	---	-----	---	-----



# Step 10 Check and tighten all screws



# Bed Frame

---

Dimension: TWIN:106\*195\*(93-113)cm  
FULL:144\*195\*(93-113)cm  
QUEEN:159.5\*207\*(93-113)cm

