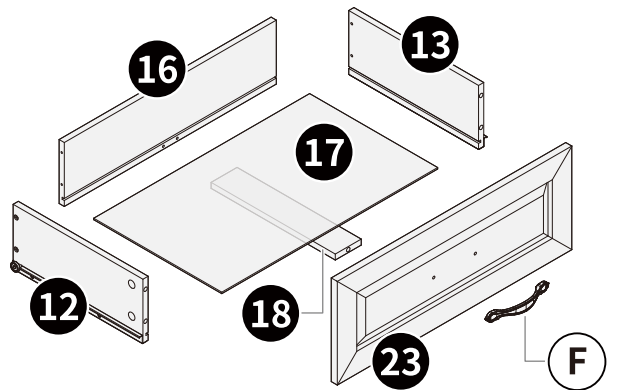
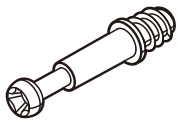
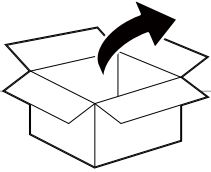
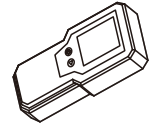
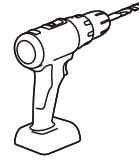
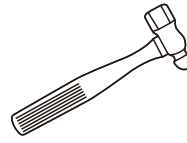
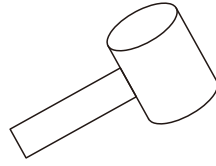
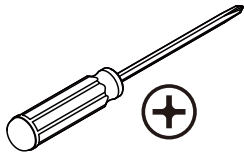
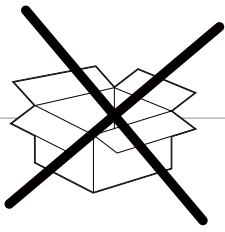


2x

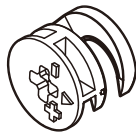


2x



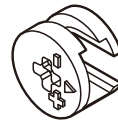
Ø6 x 35mm

**A** x 56



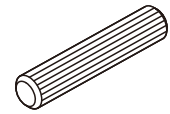
Ø15 x 11mm

**B1** x 24



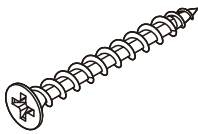
Ø15 x 9mm

**B2** x 32



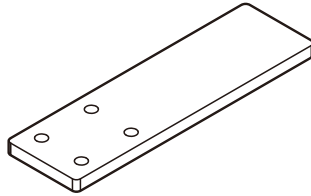
Ø8 x 30mm

**C** x 29

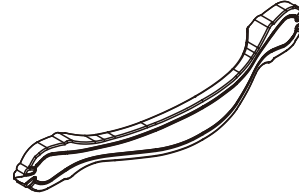


Ø4 x 38mm

**D** x 44



**E** x 2

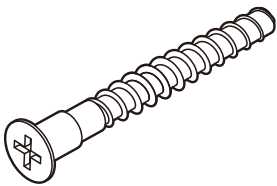


**F** x 7



Ø4 x 12mm

**G** x 14



Ø6 x 50mm

**H** x 7



**I** x 8

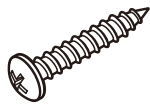


Ø3 x 17mm

**J** x 8



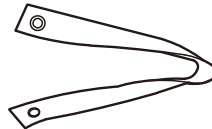
ST4 x 12mm  
x 2



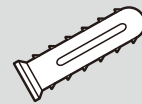
ST4 x 25mm  
x 2



x 4



x 2



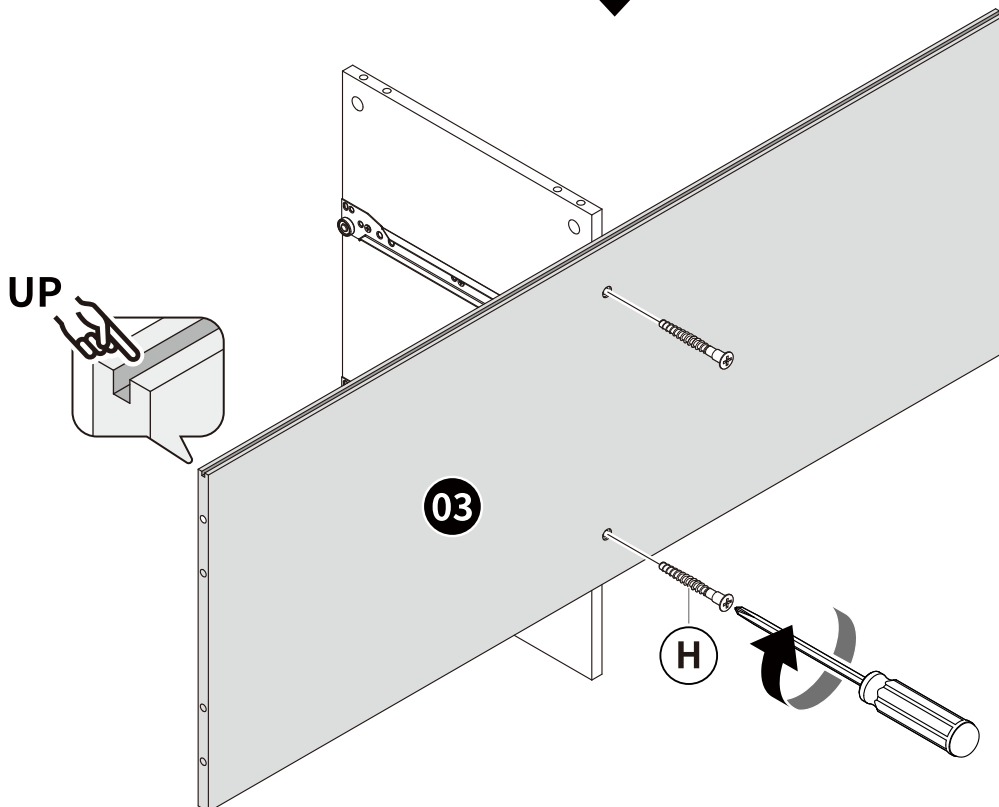
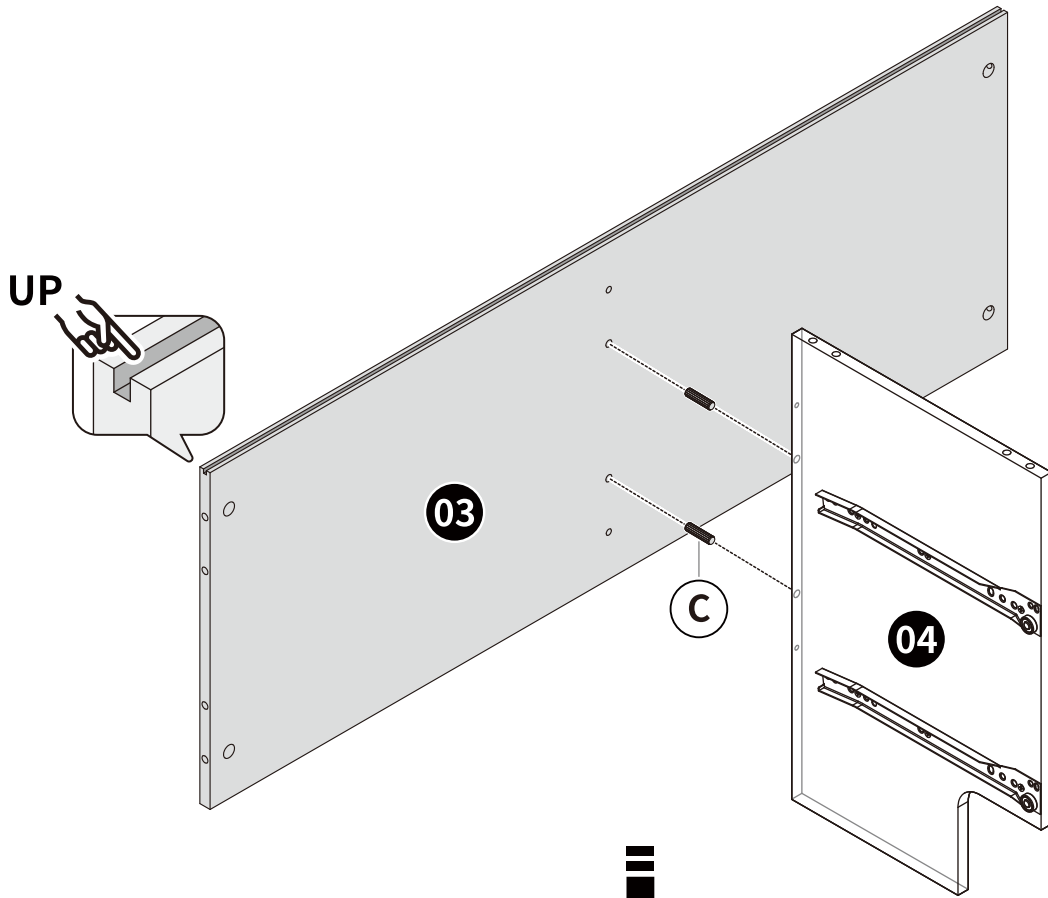
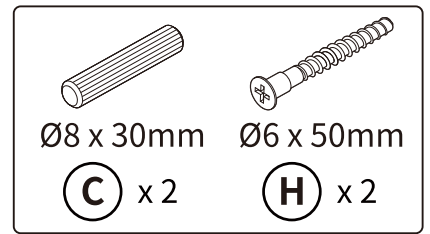
Ø8 x 30mm  
x 2



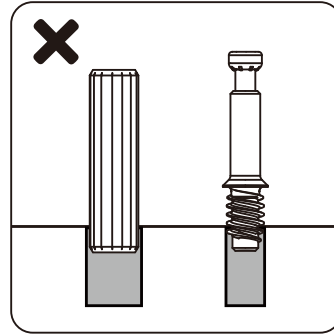
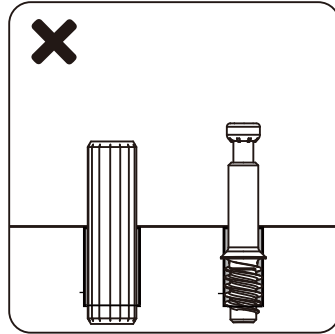
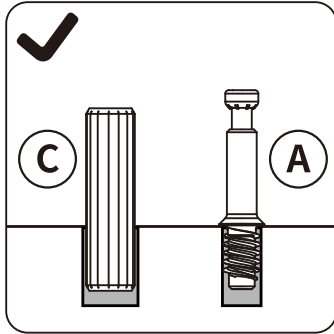
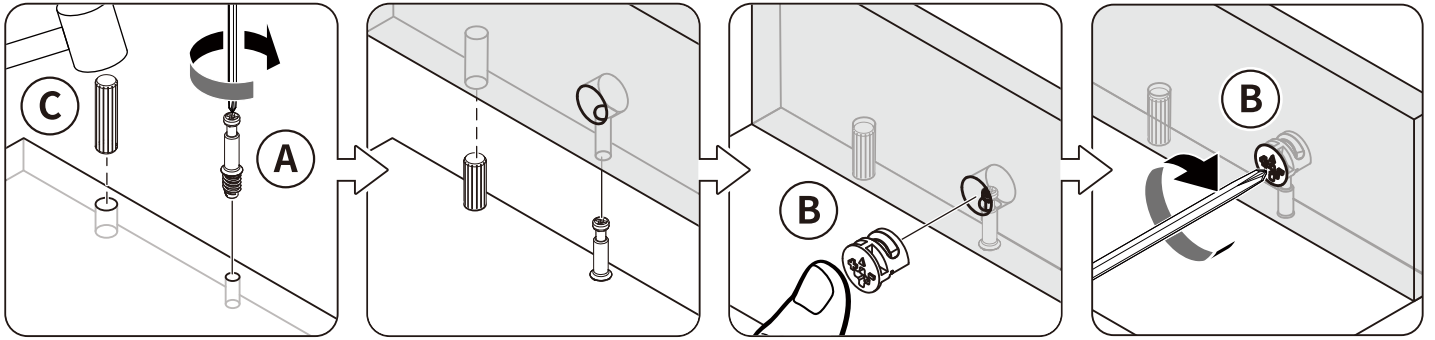
**CAUTION!**

This wall anchor is for concrete ONLY. DO NOT use them in drywall or wood studs.

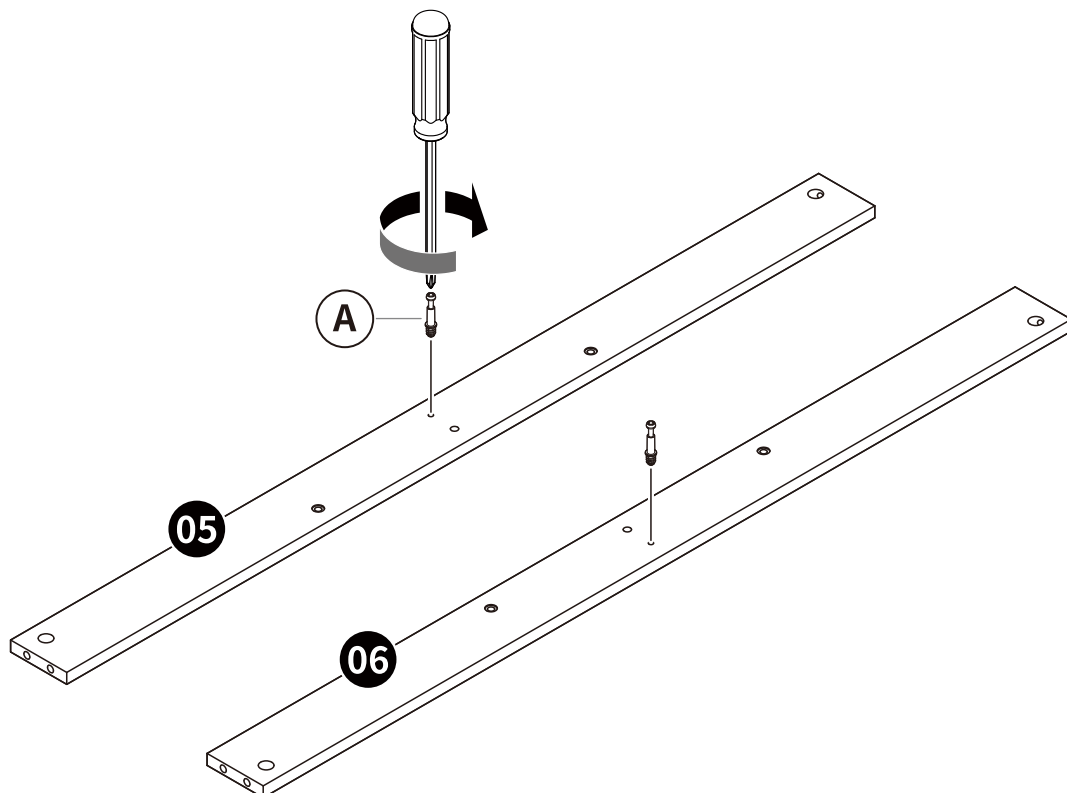
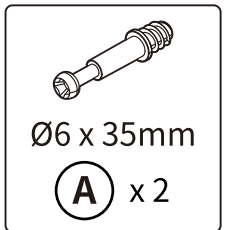
**1**



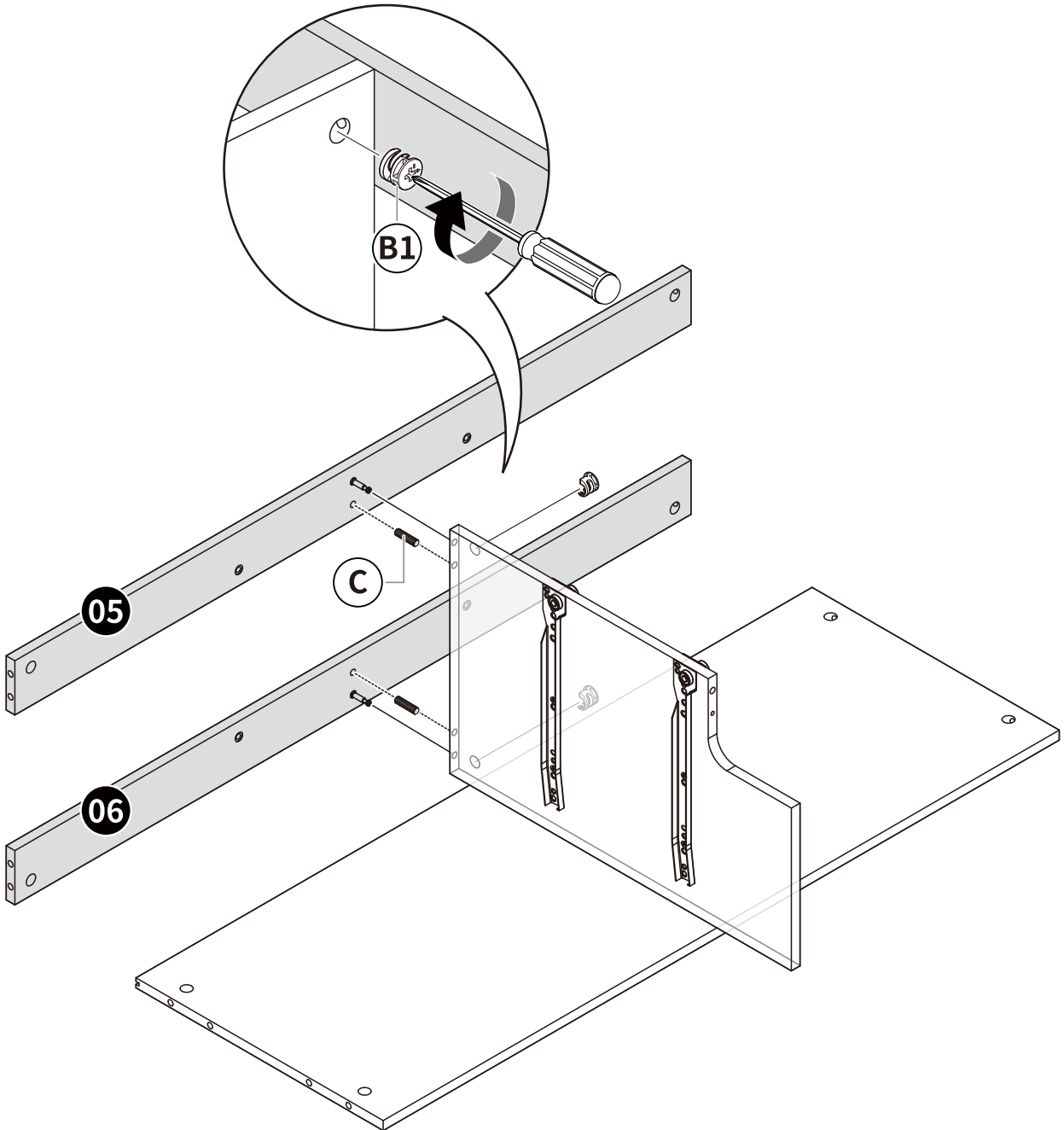
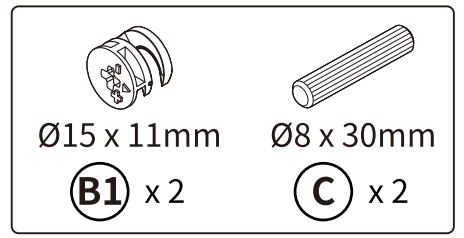
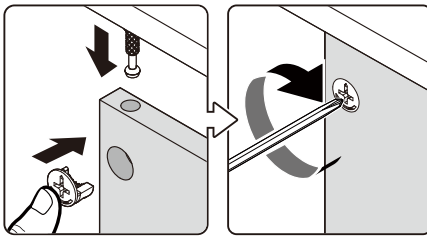
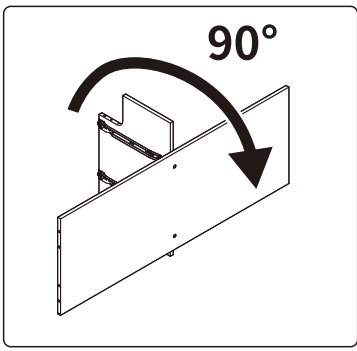
# Installation Guide



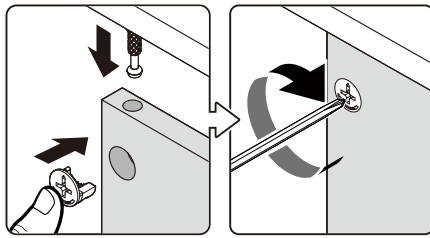
**2**

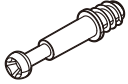

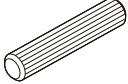


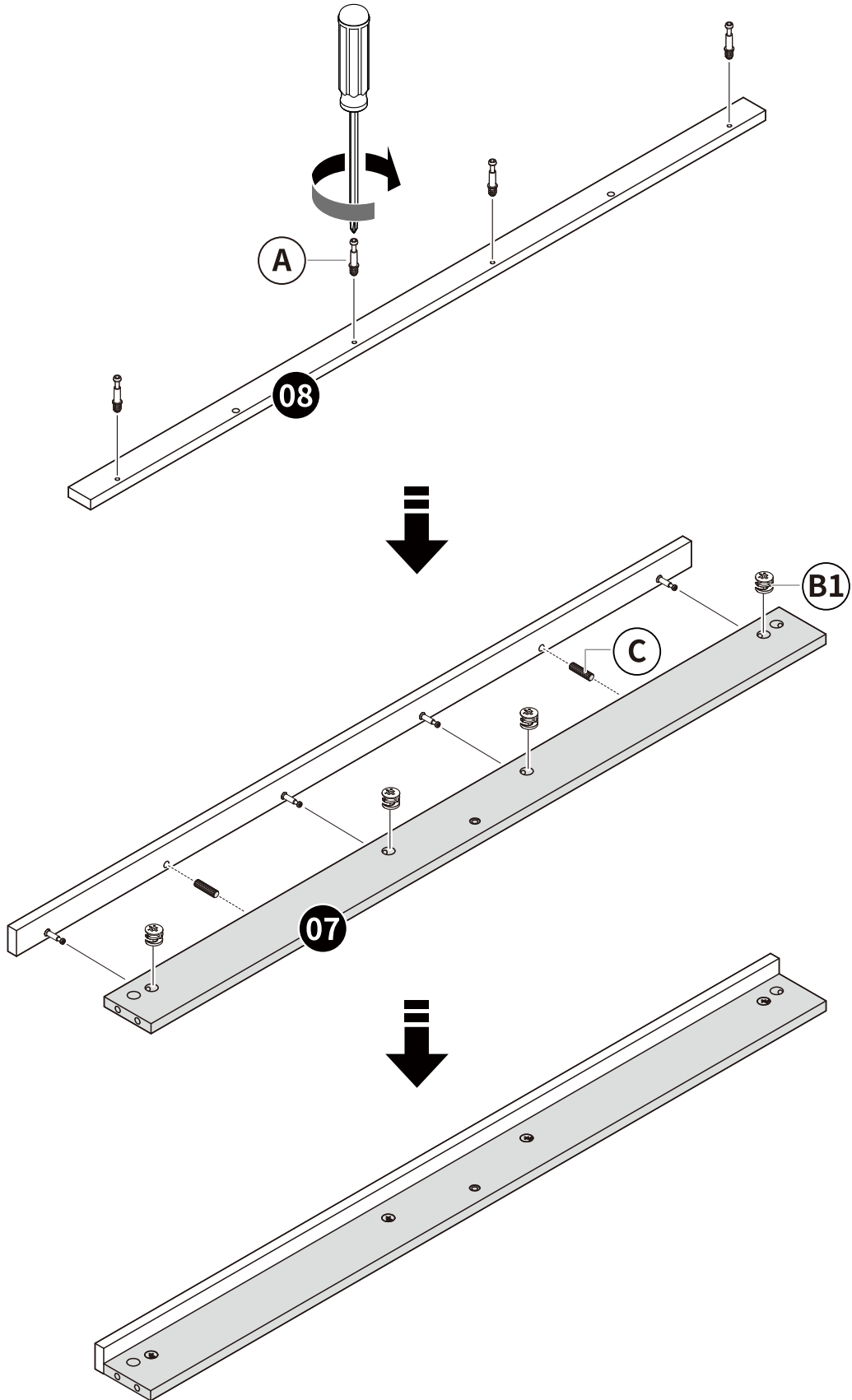
**3**



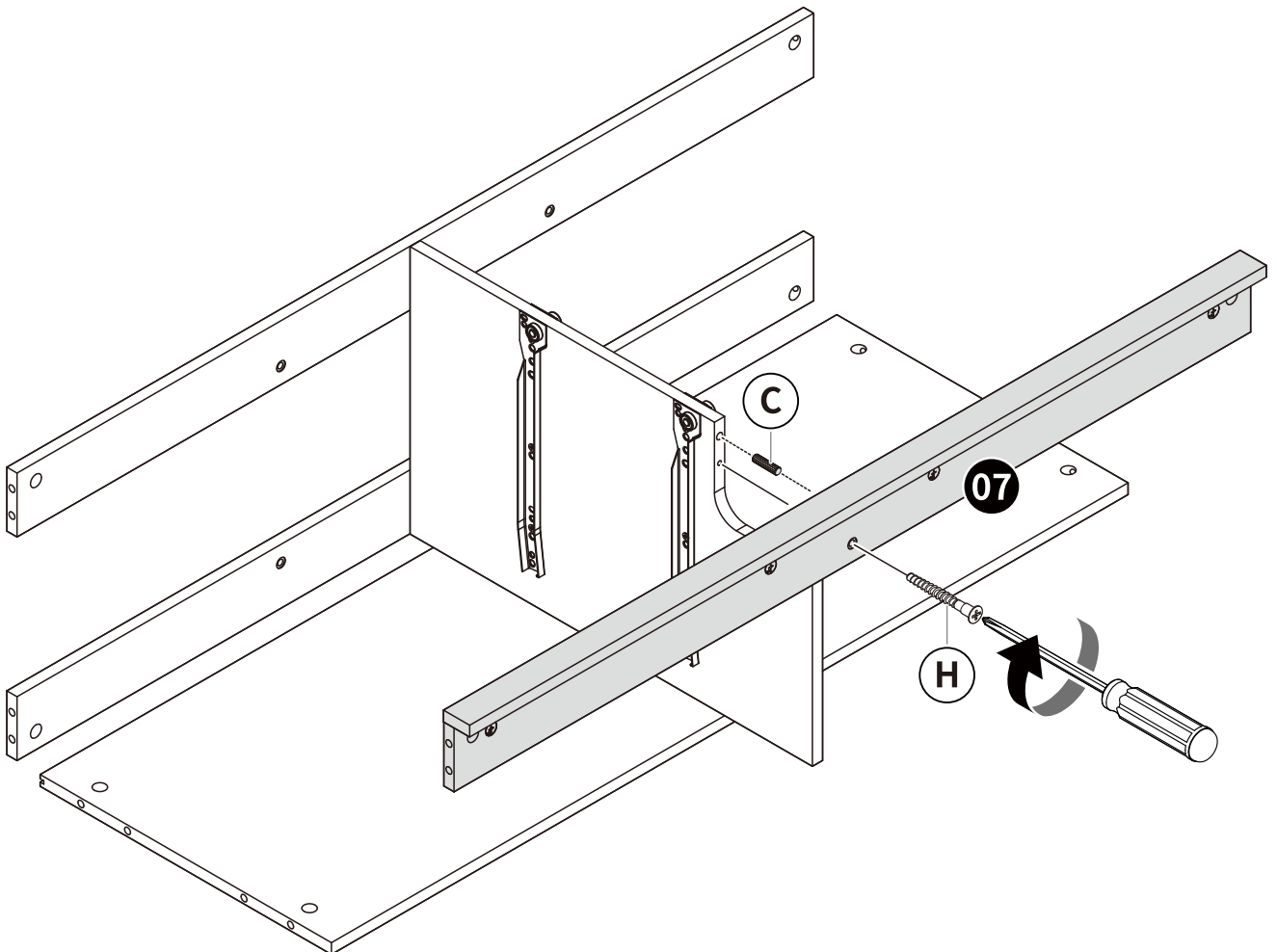
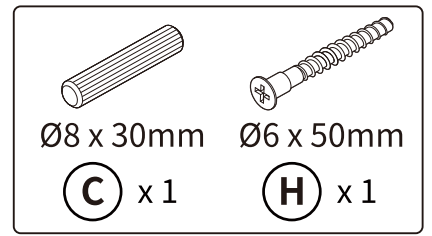
4



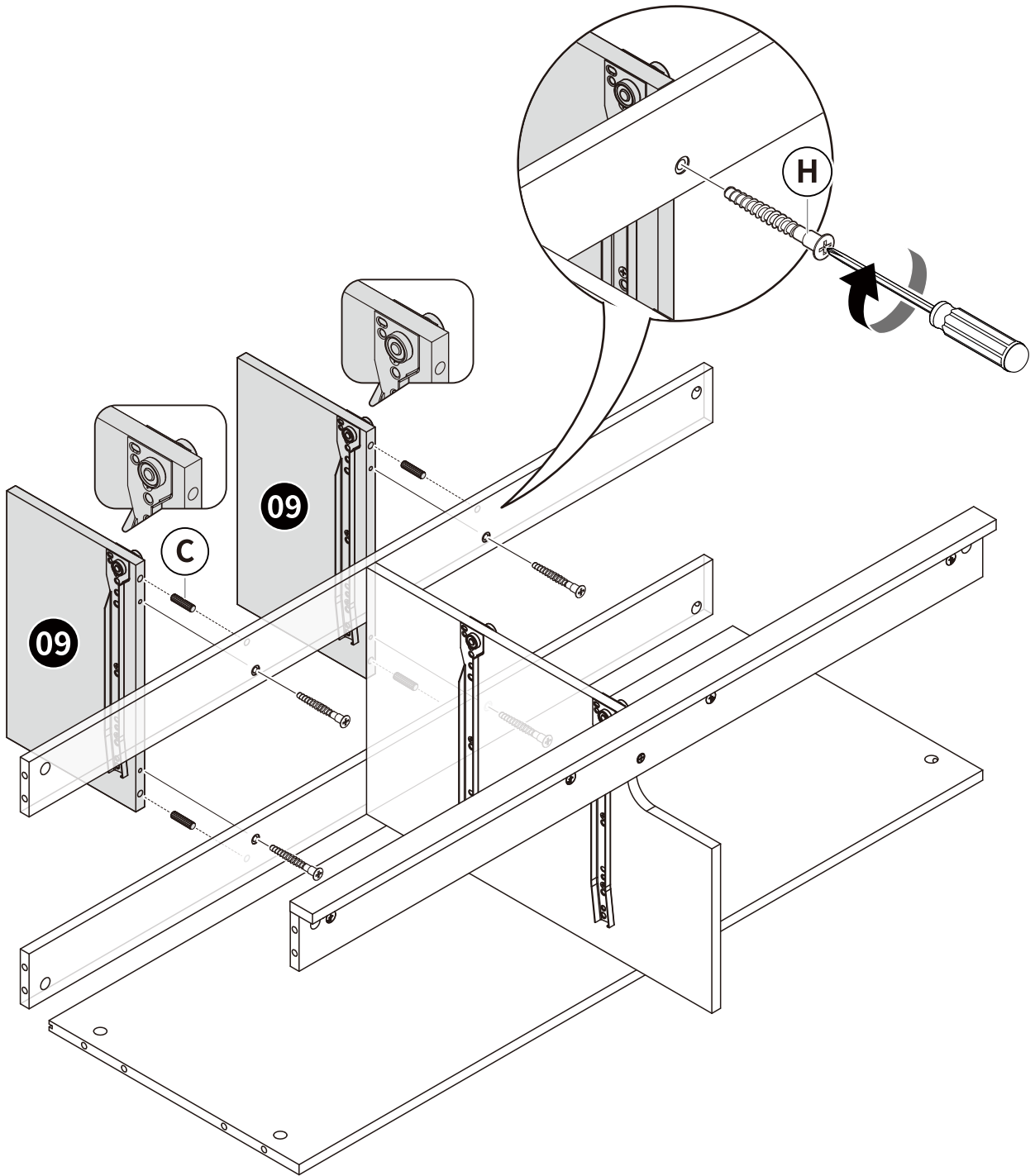
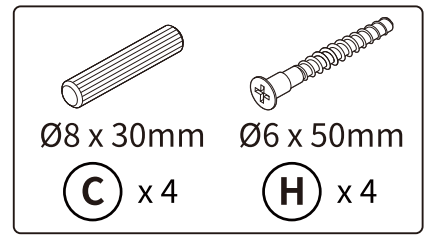
 Ø6 x 35mm <b>(A)</b> x 4	 Ø15 x 11mm <b>(B1)</b> x 4	 Ø8 x 30mm <b>(C)</b> x 2
--	---	---



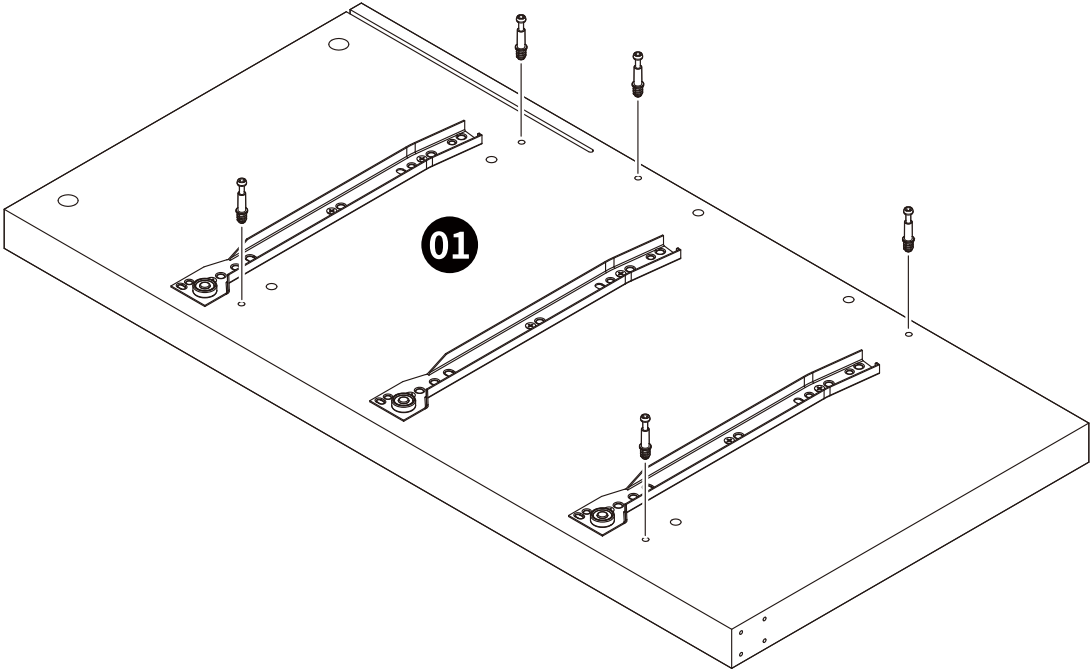
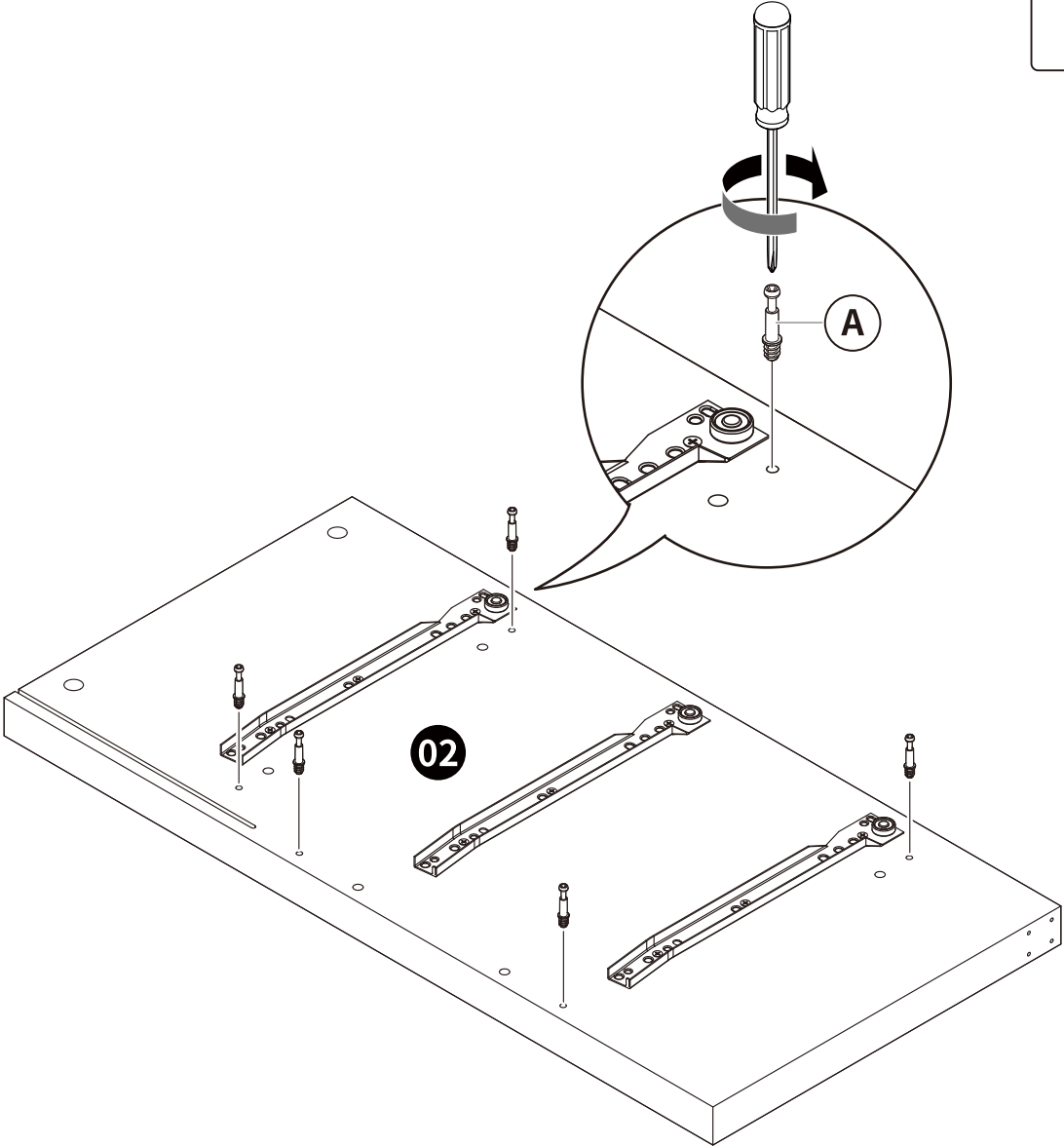
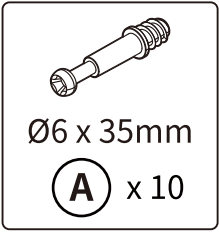
5



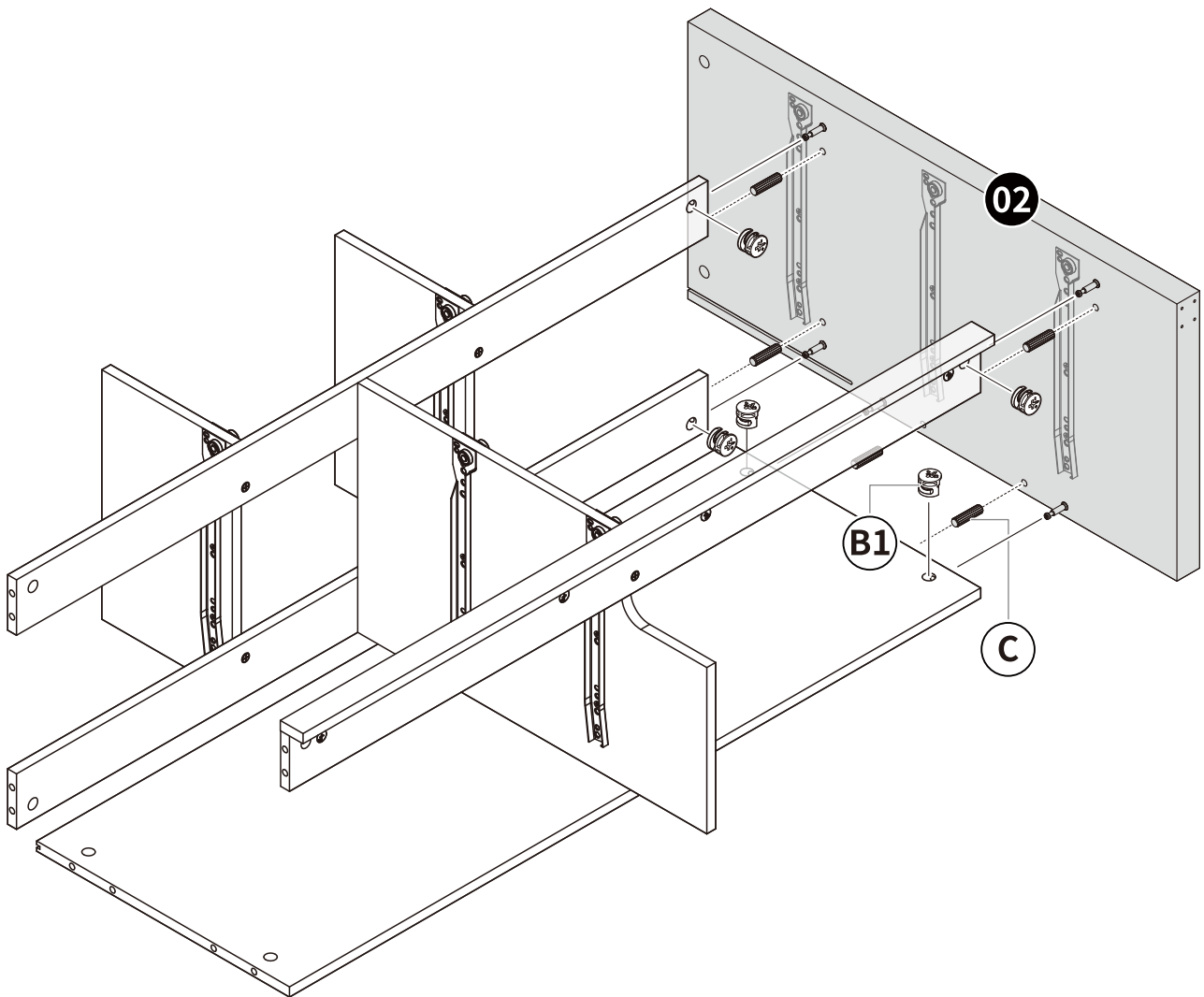
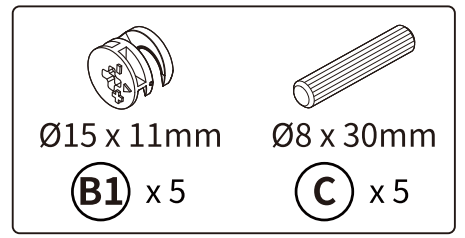
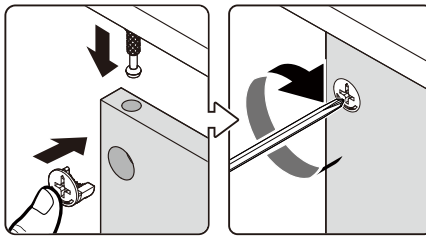
6



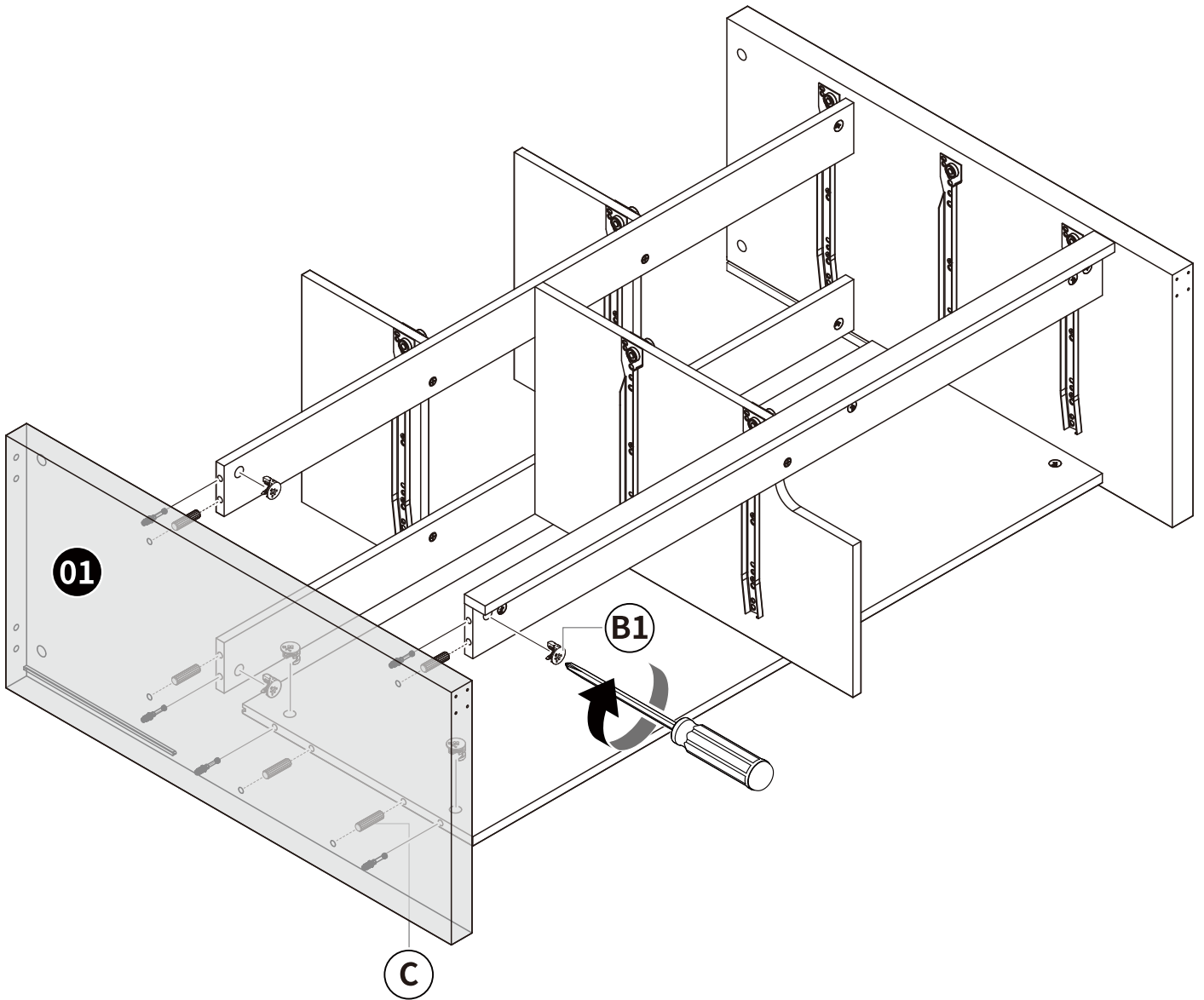
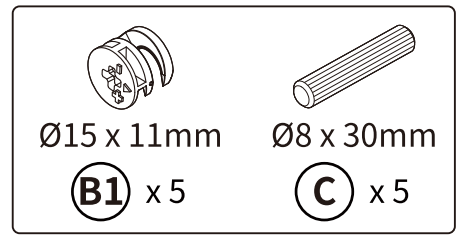
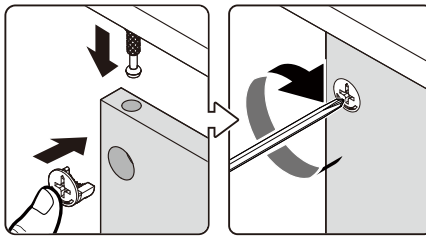
7

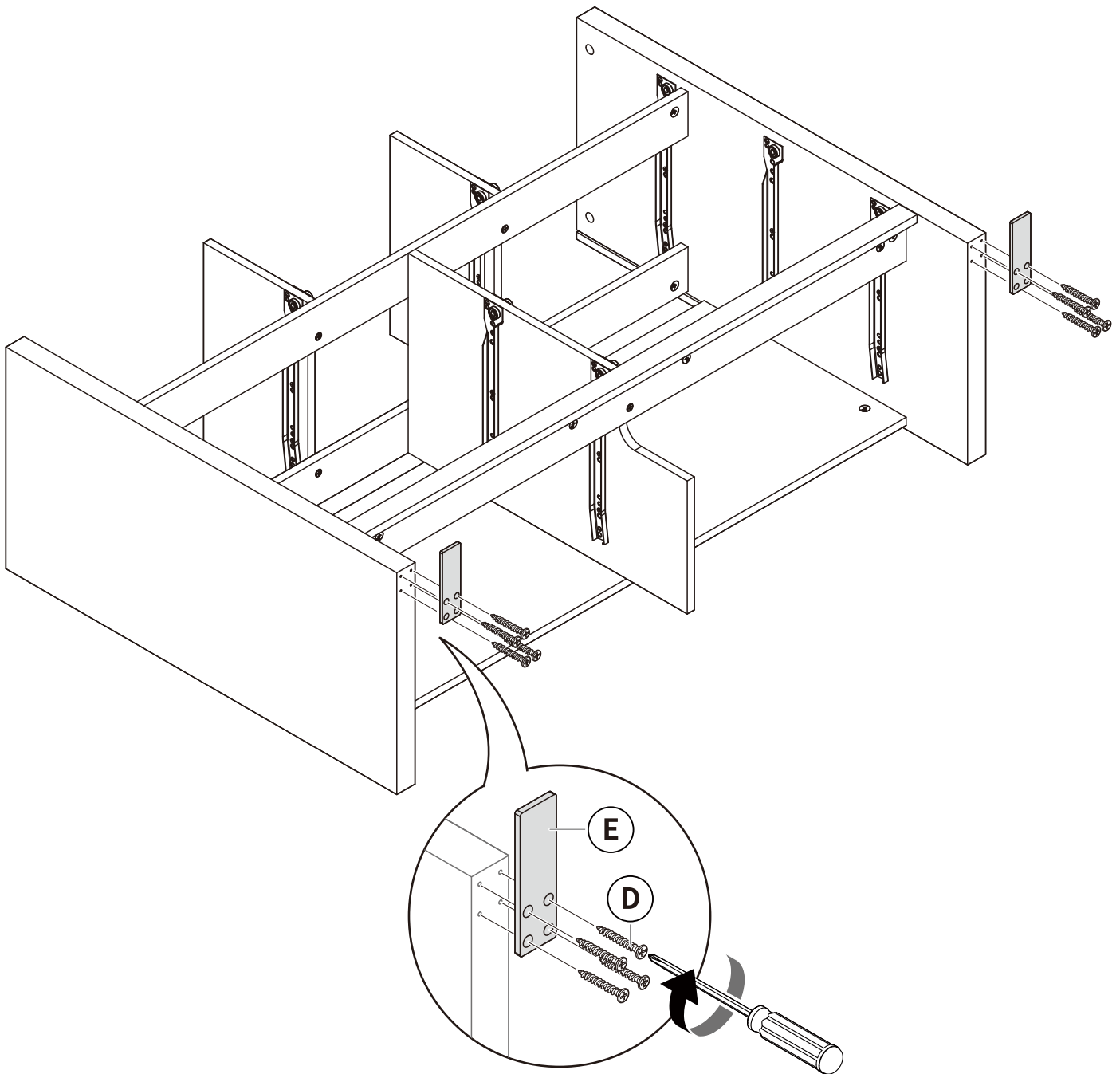
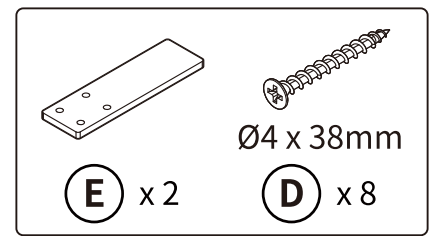


8



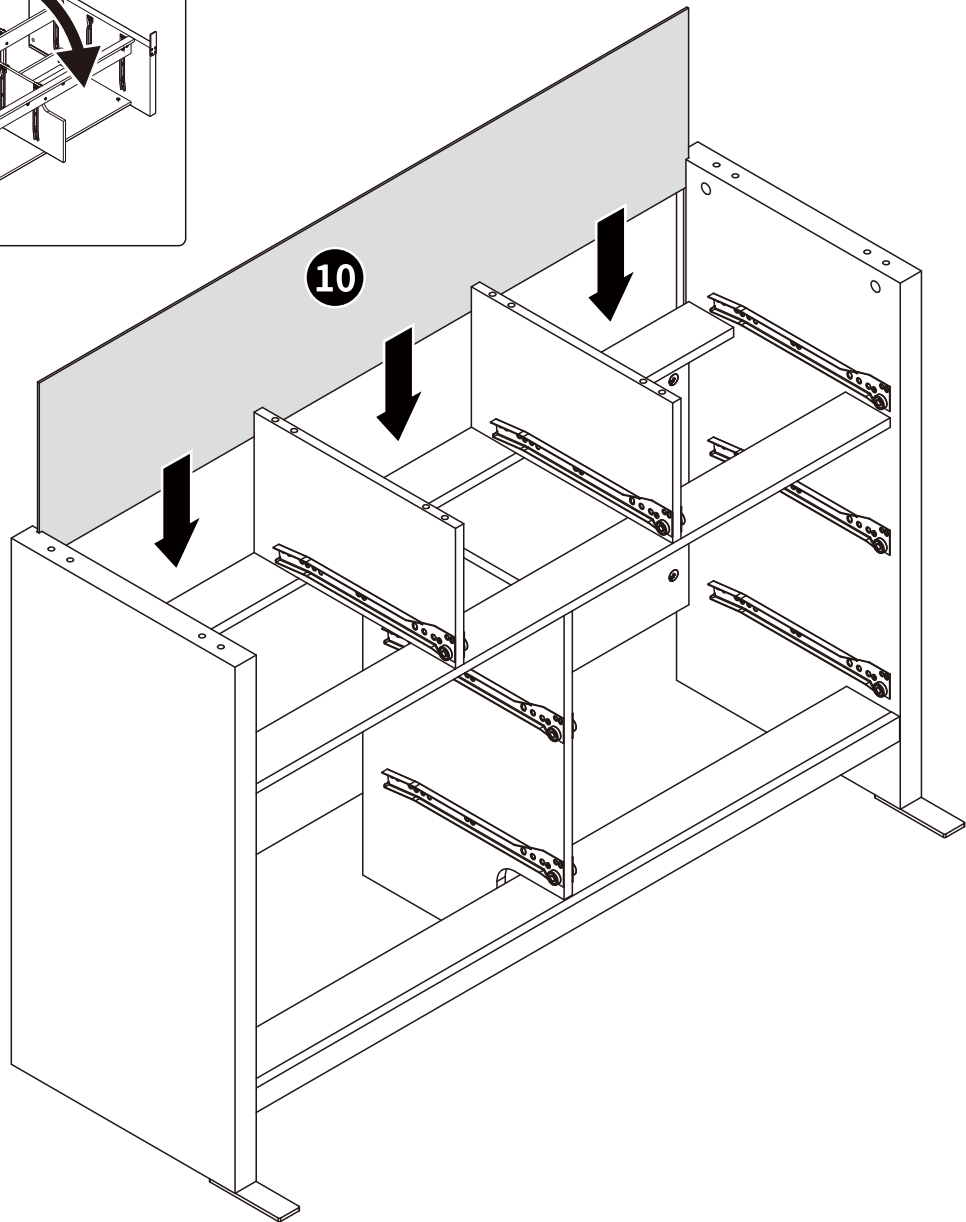
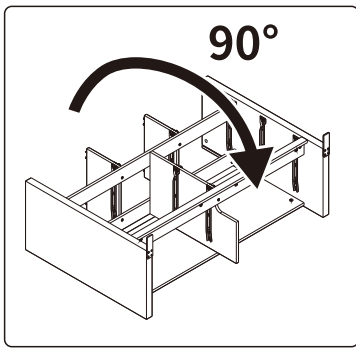
9



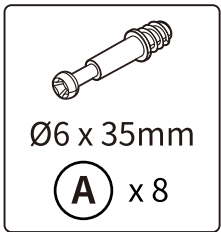
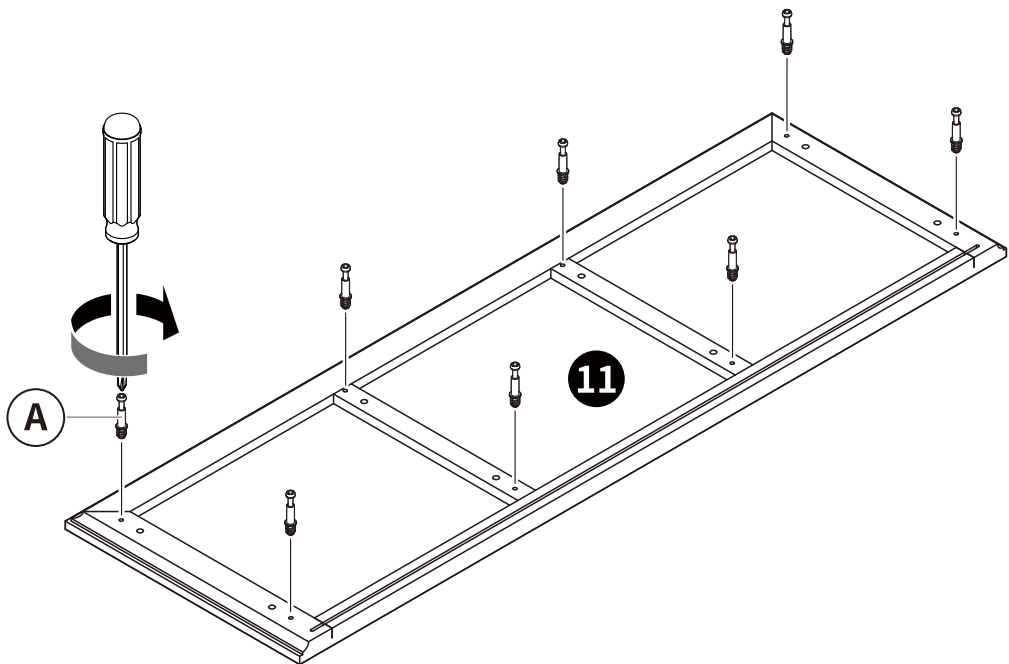


**Optional:** Attach these parts to maximize stability.

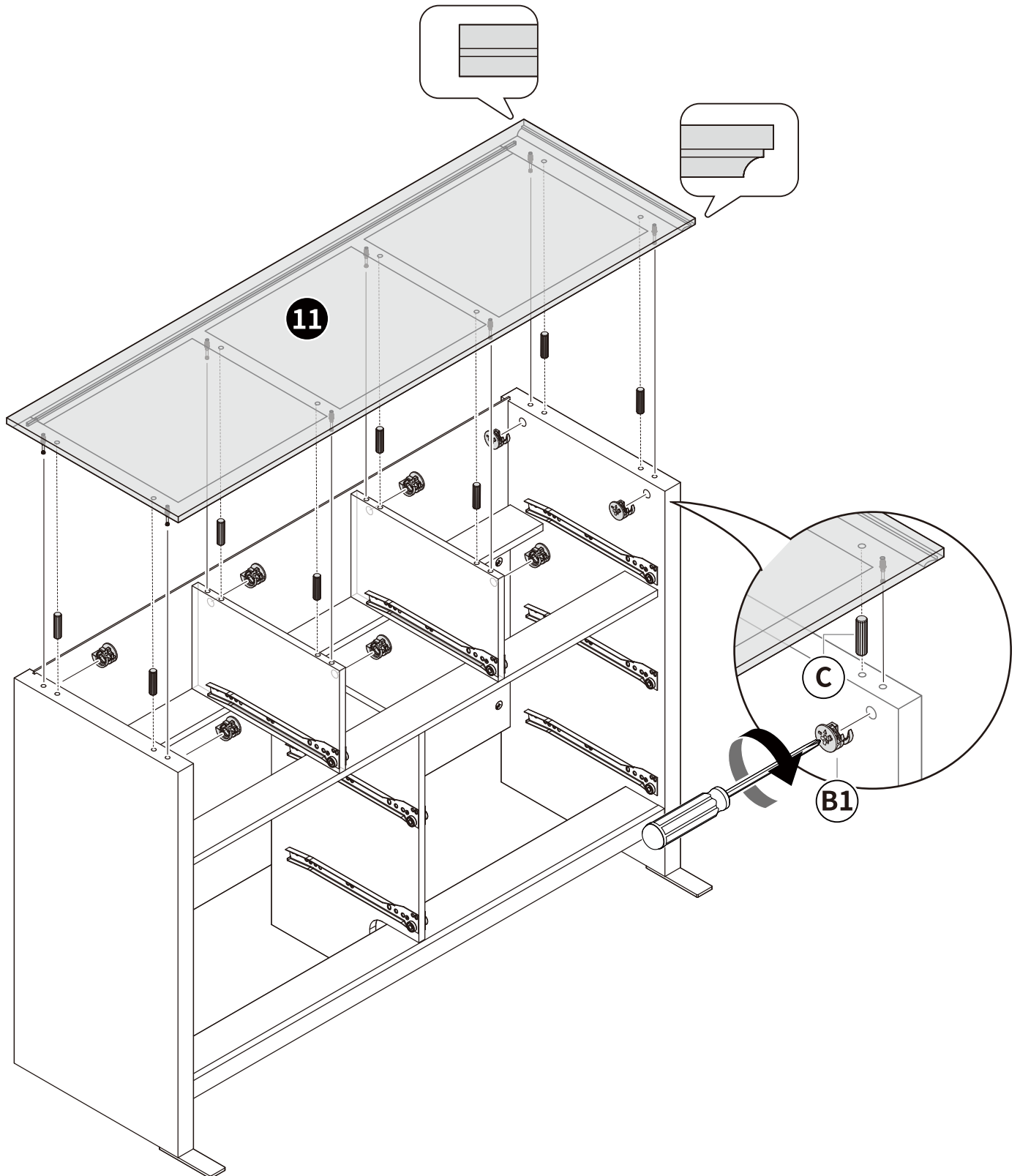
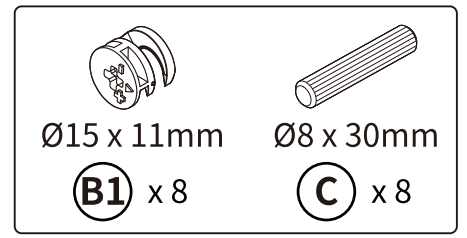
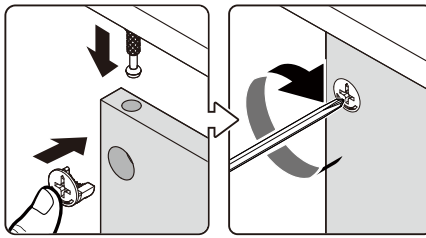
**10**



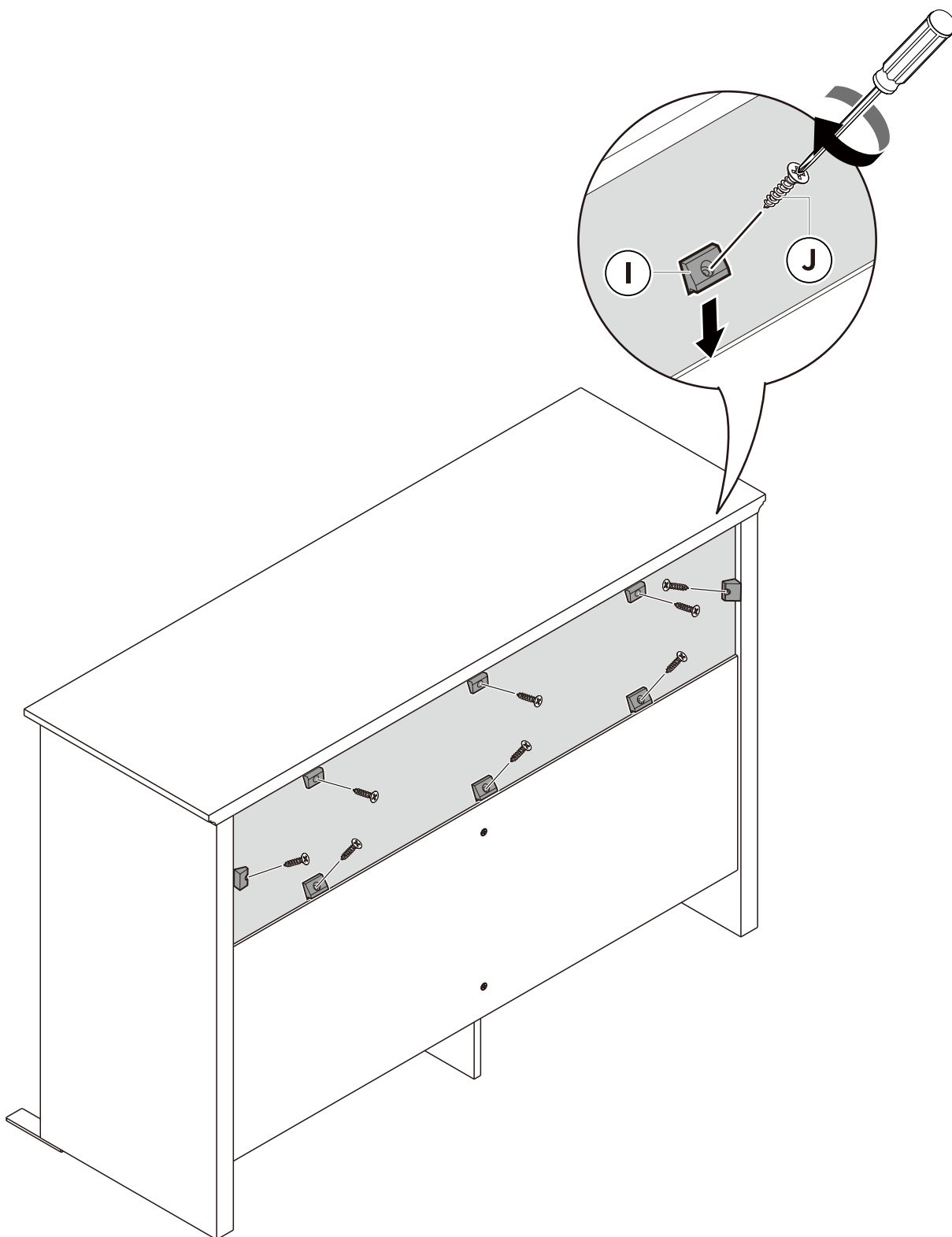
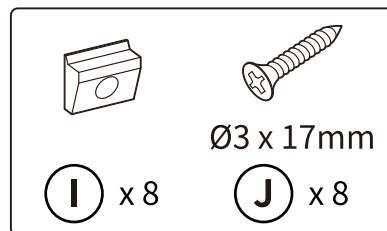
**11**



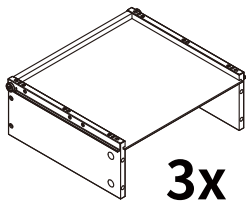
12



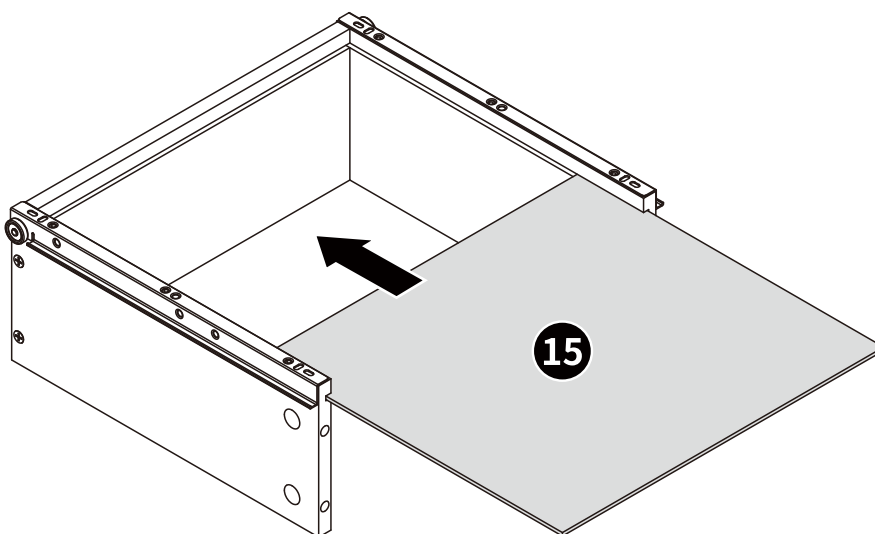
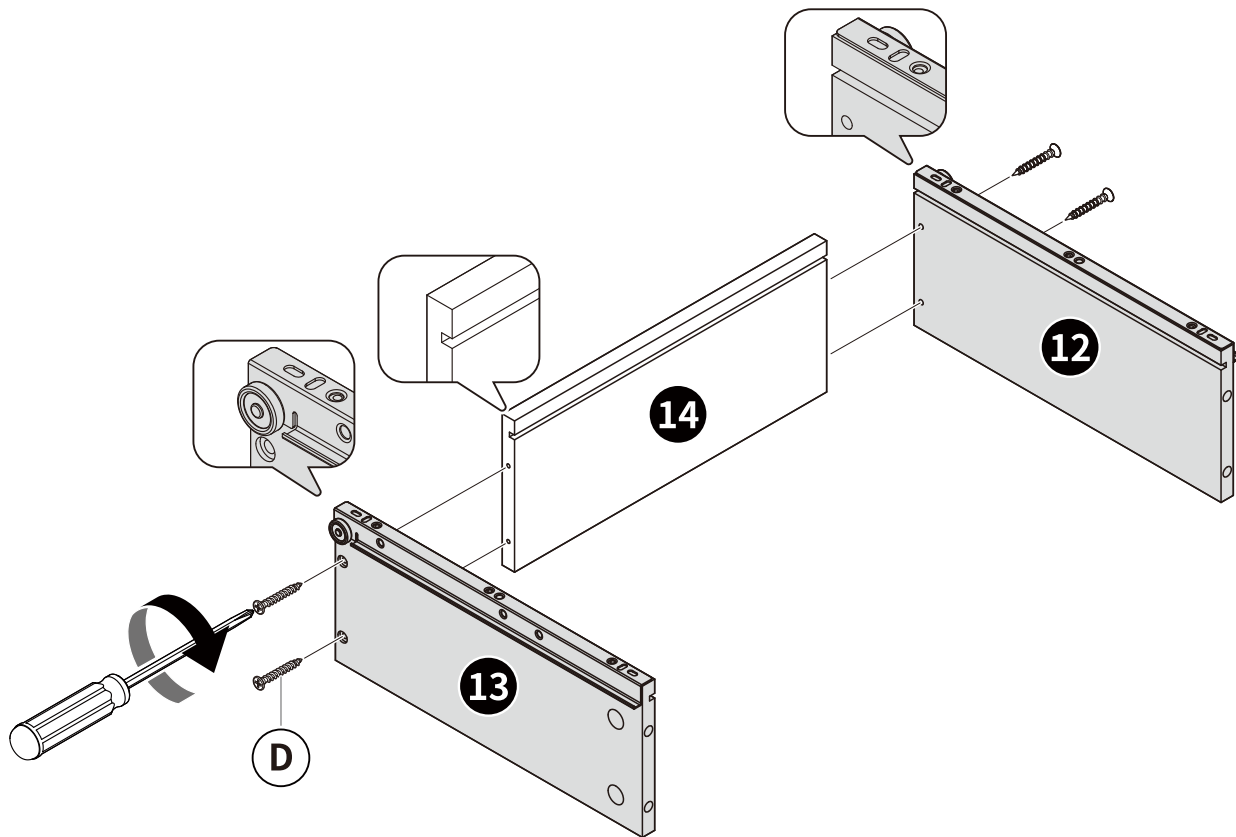
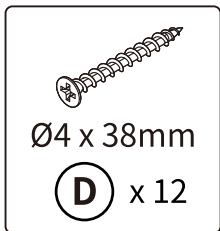
13



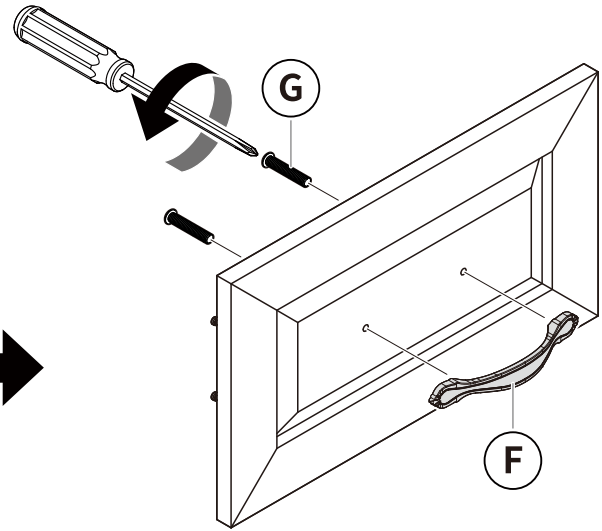
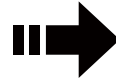
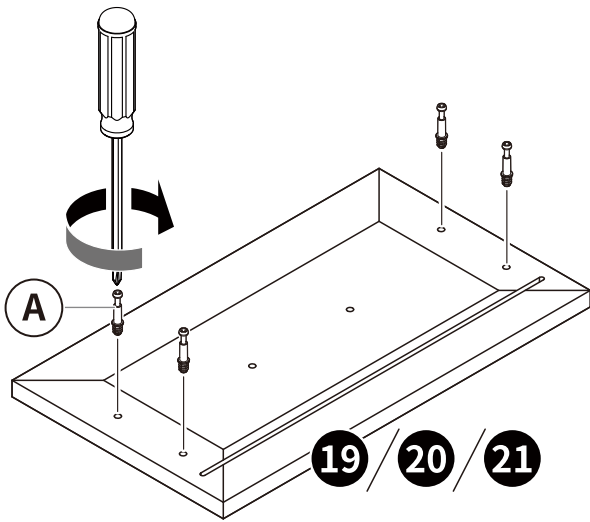
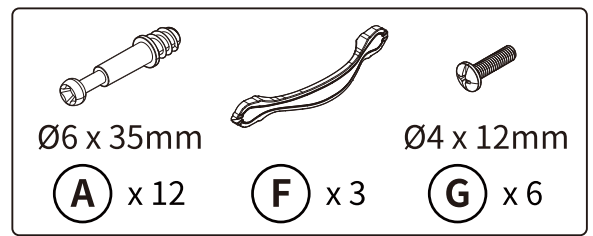
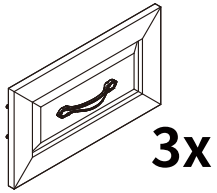
**14**



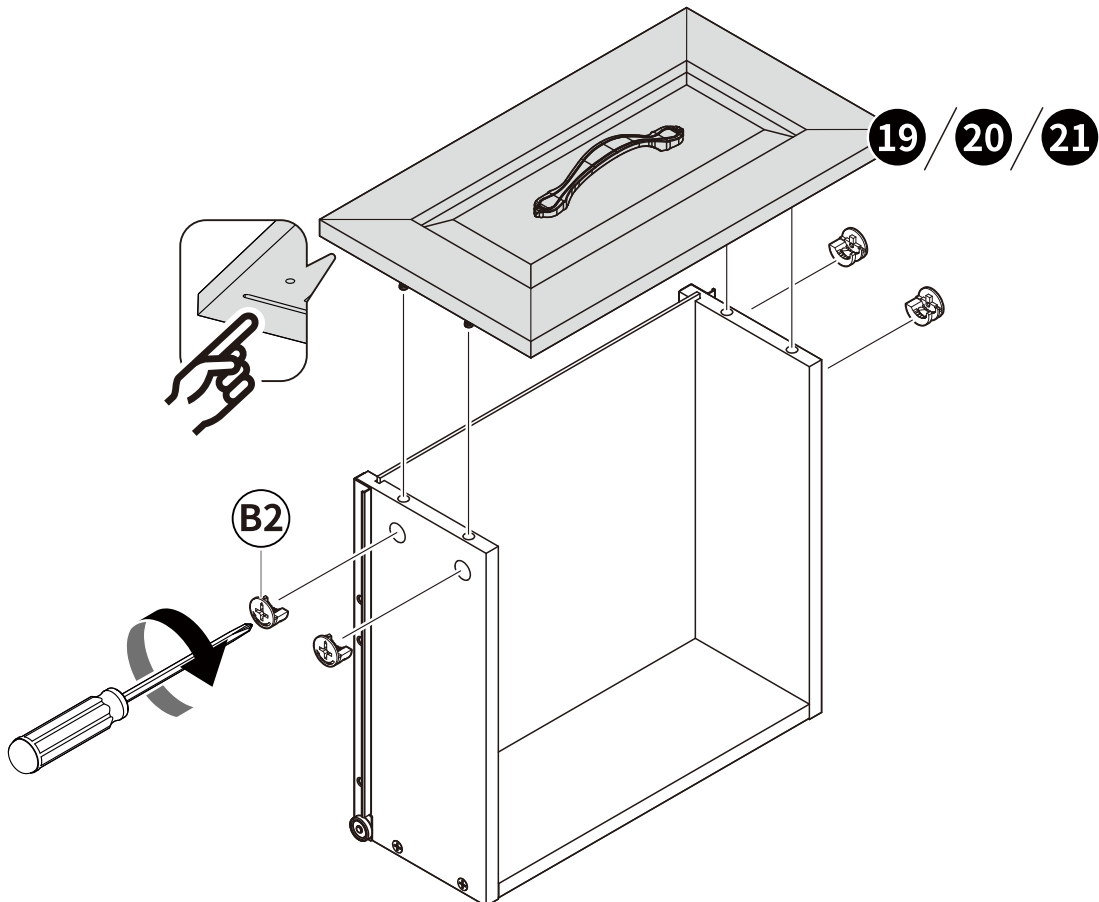
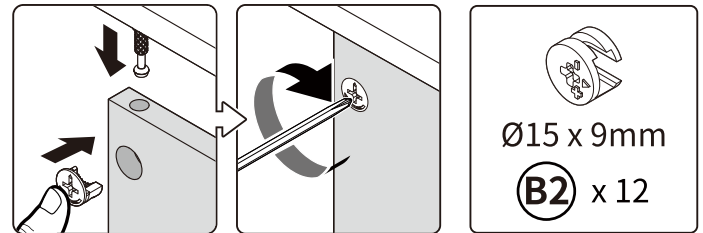
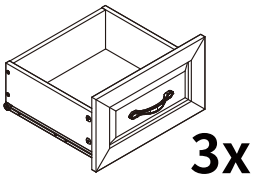
**3x**



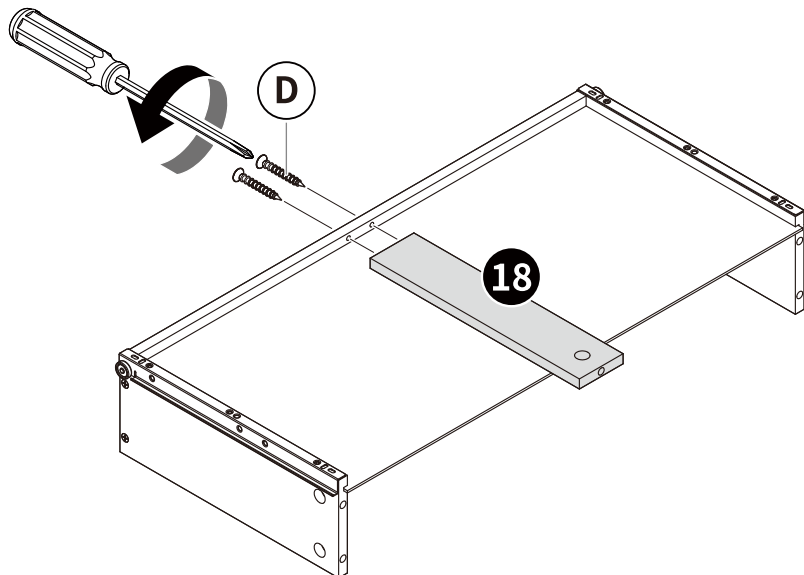
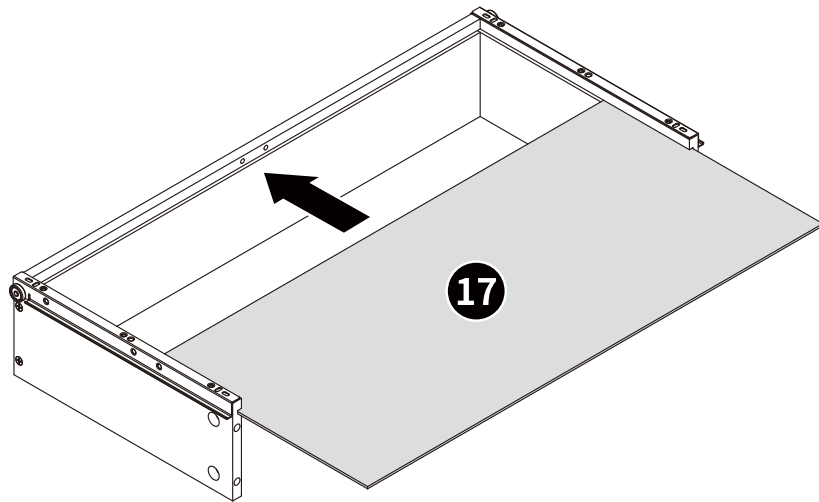
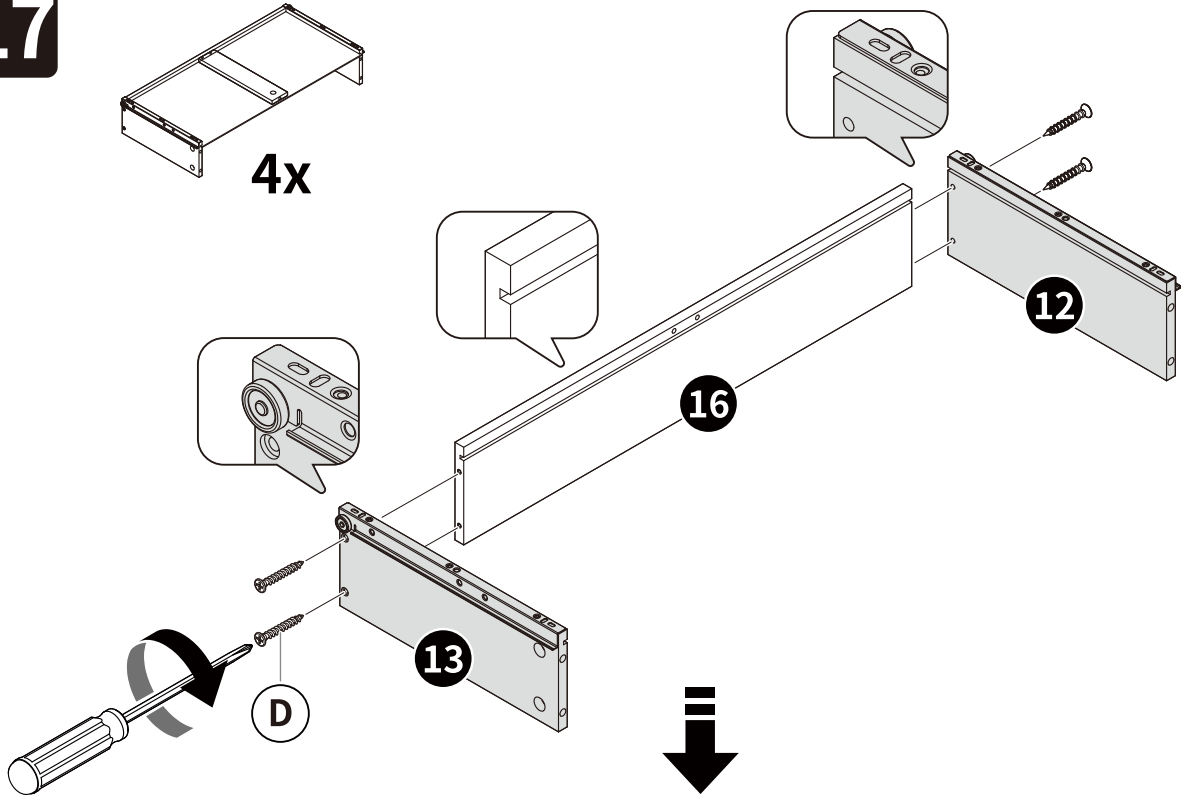
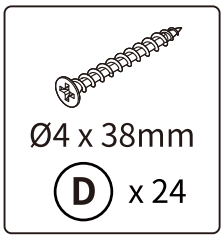
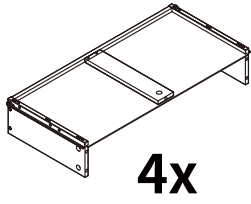
**15**



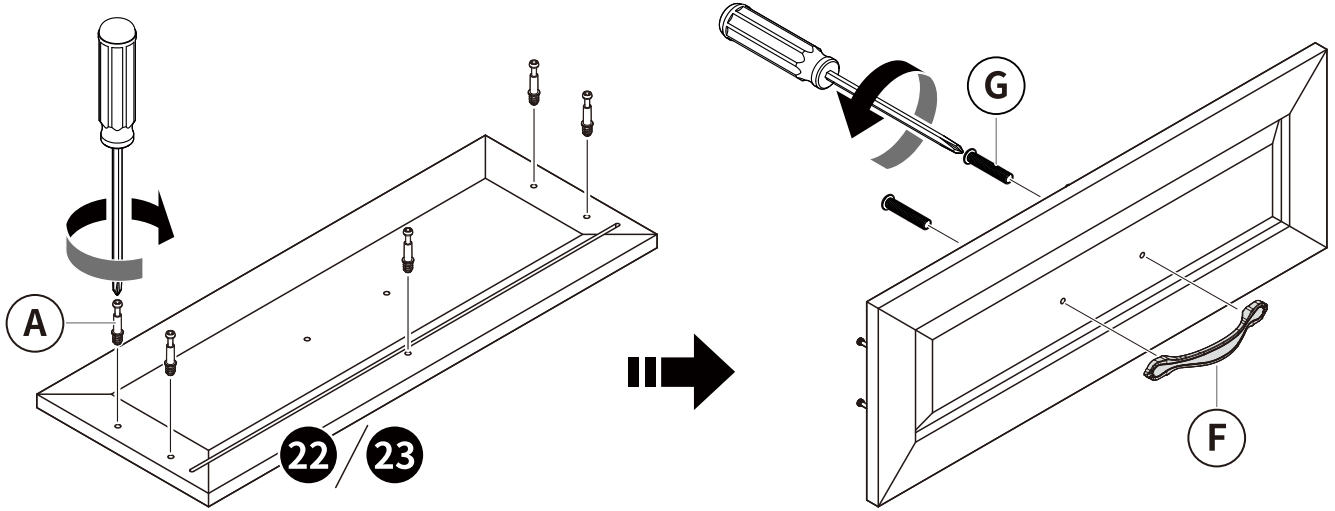
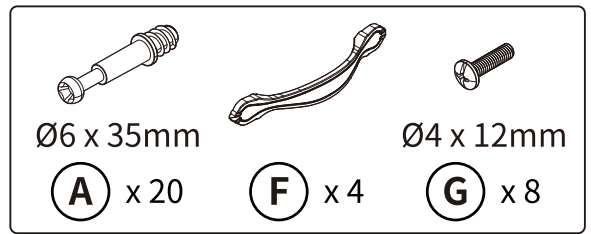
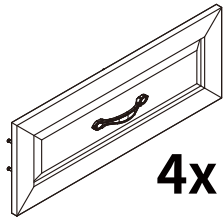
**16**



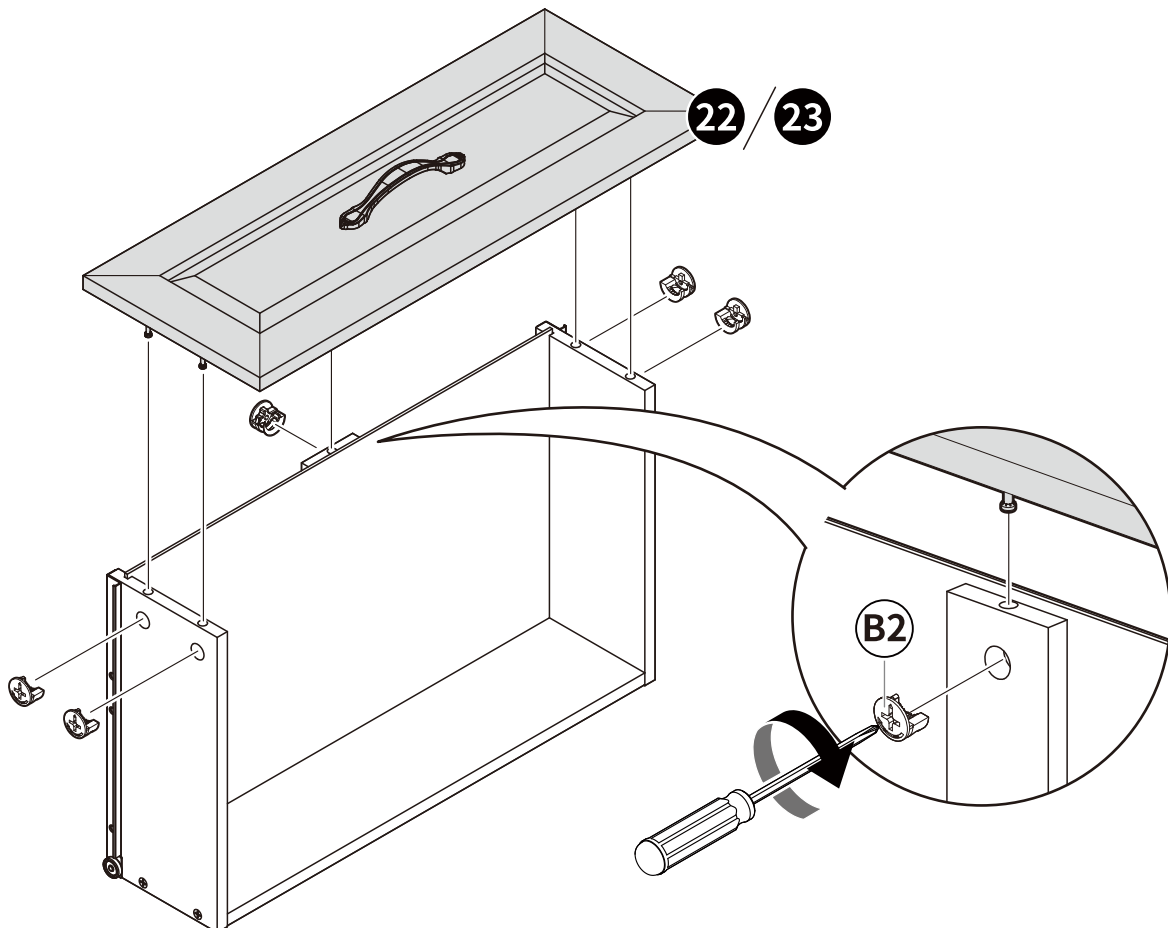
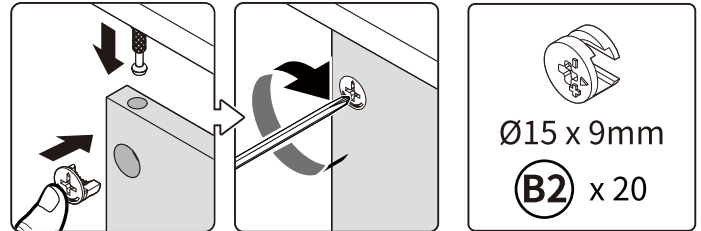
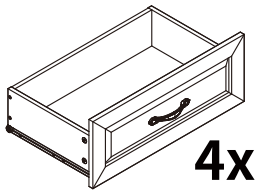
**17**



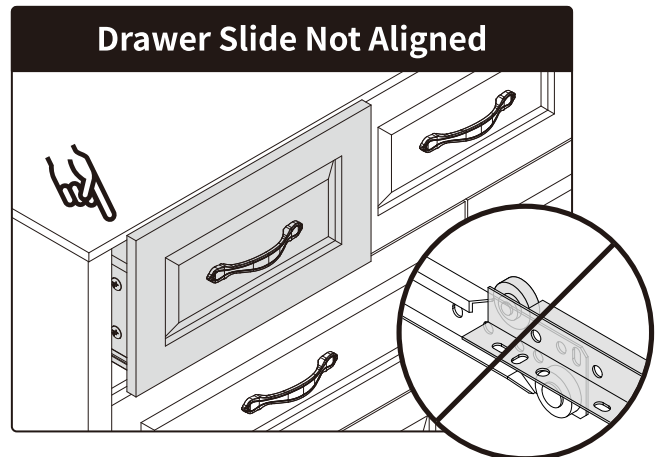
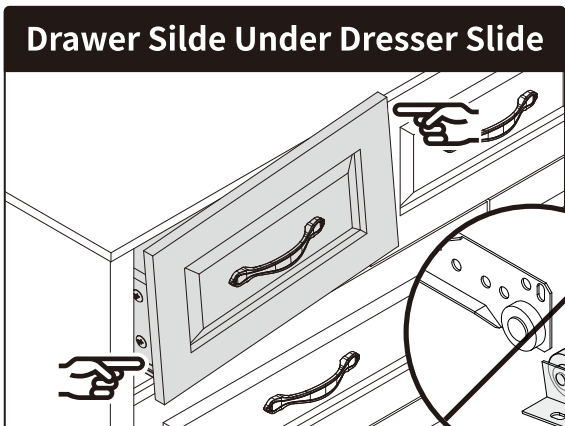
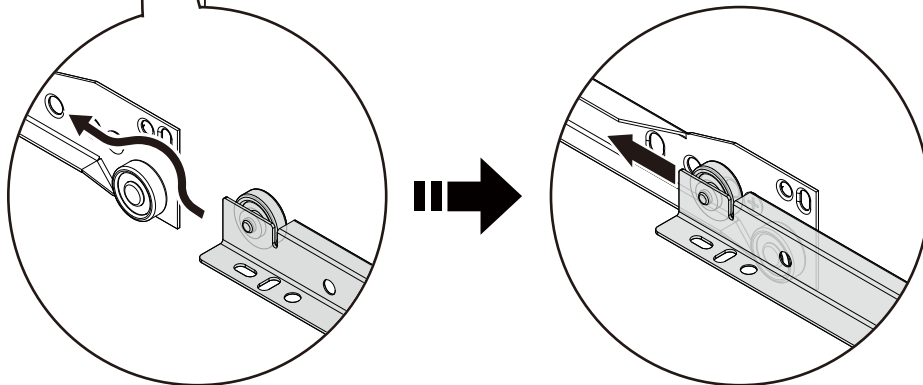
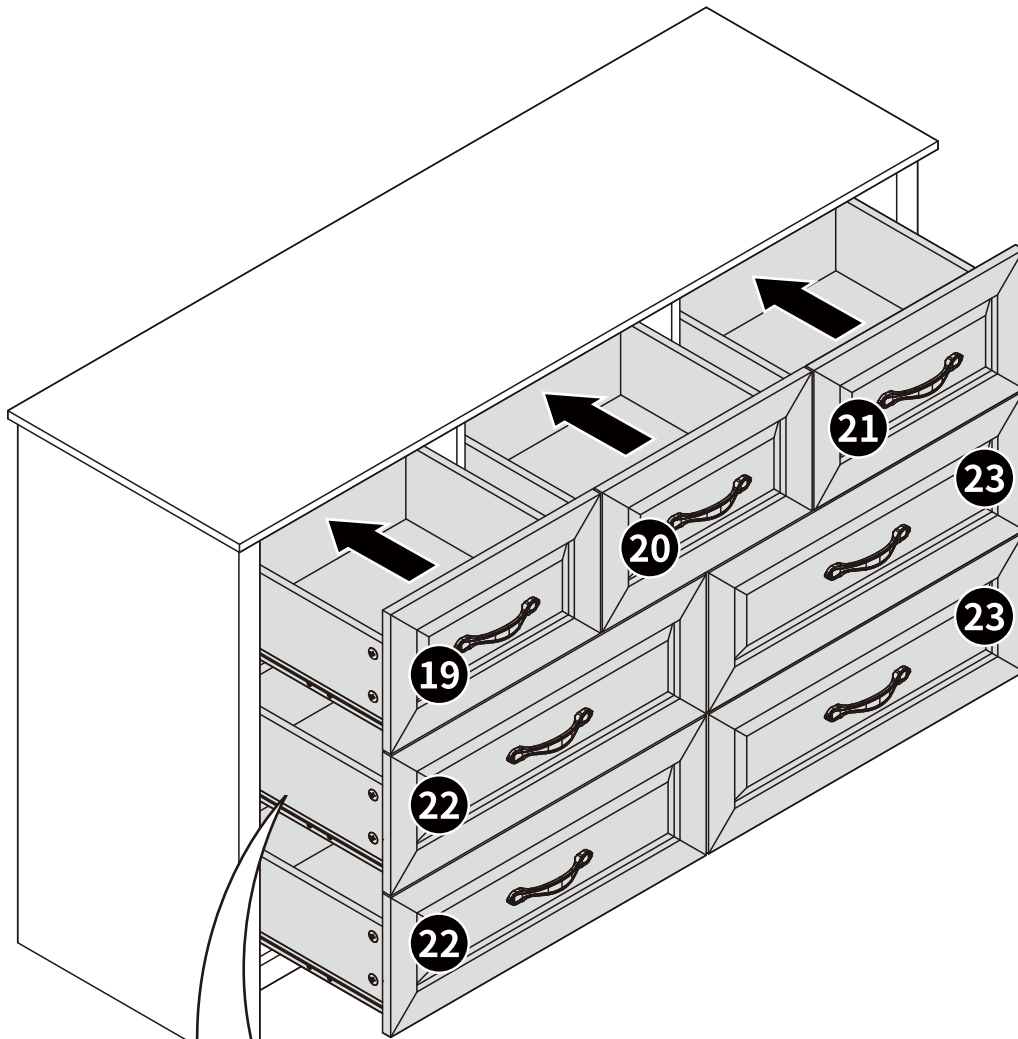
**18**

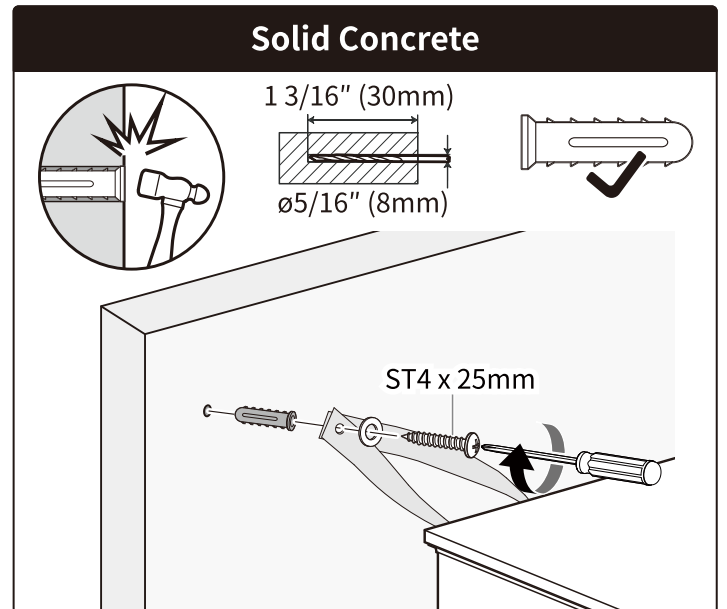
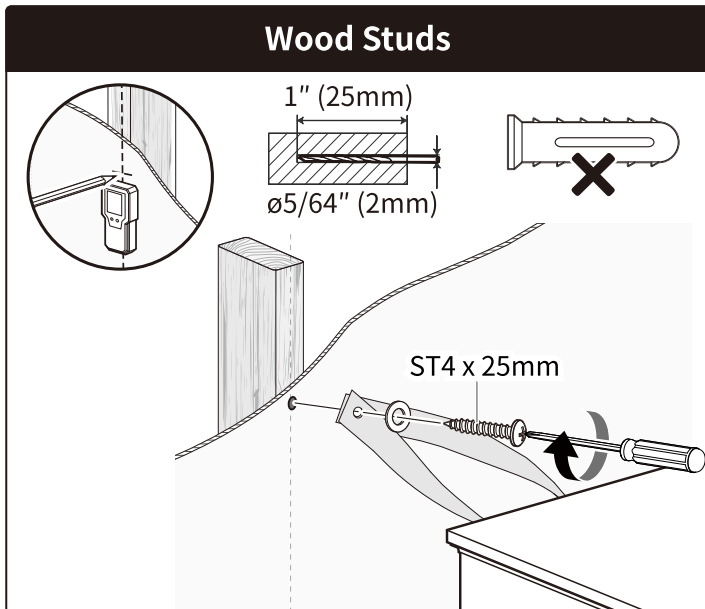
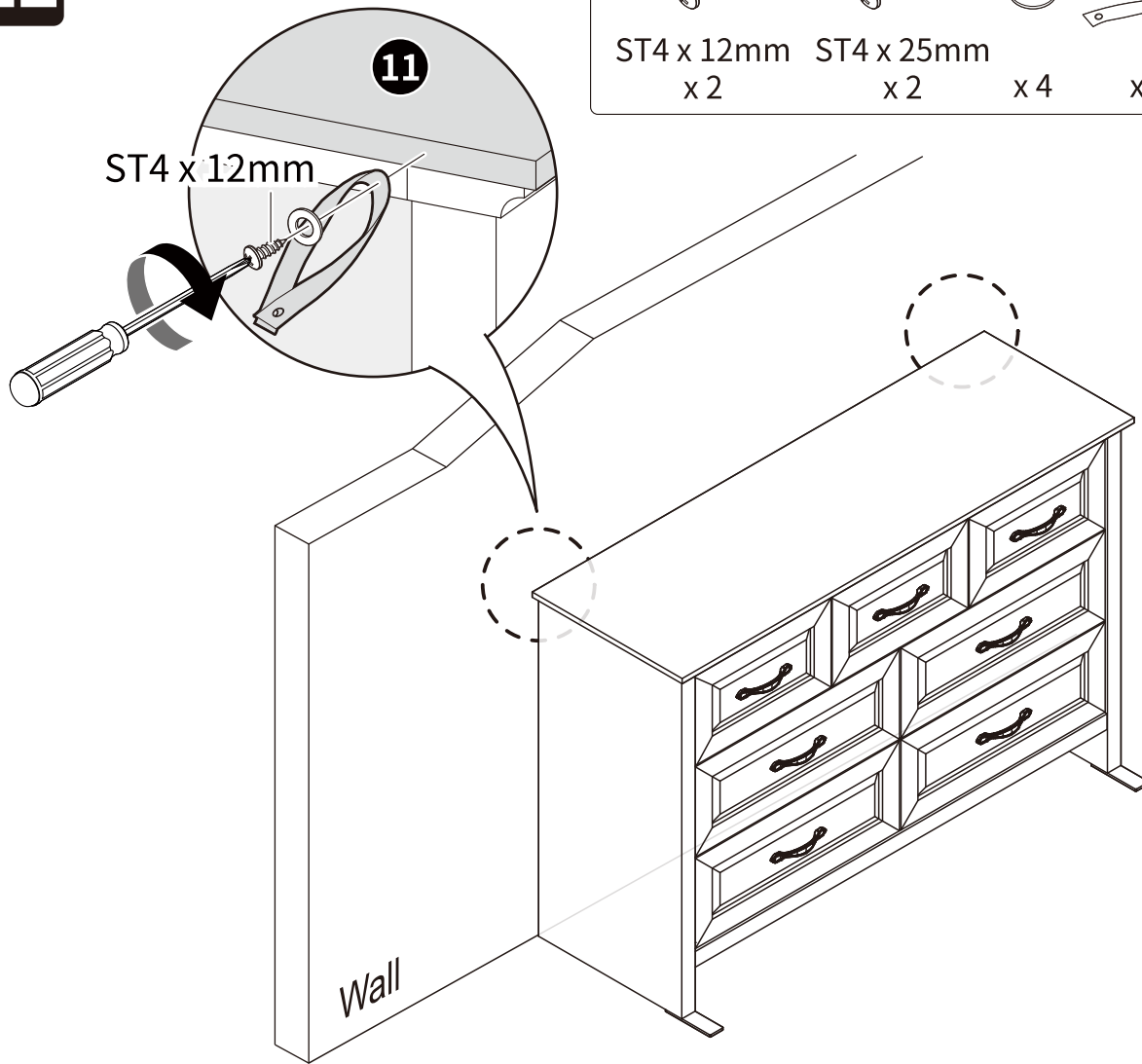
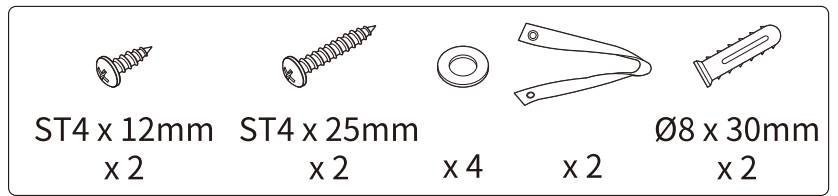


**19**



**!** **Note:** Insert each drawer according to the part numbers in the diagram below.





### Installation Instructions:

1. Secure the straps to the top of the unit using short screws and washers.
2. Determine where the unit is to be placed. If you have a wood stud wall, locate a stud using a stud finder and mark the centerline.
3. Drill pilot holes in the wall at the appropriate height.
4. Secure the straps to the wall using long screws and washers. Use wall anchors for solid concrete. Do not use them on wood studs.

