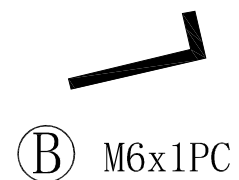
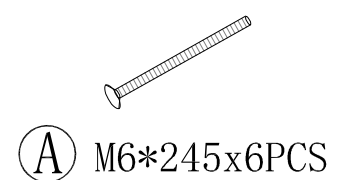


KM-10

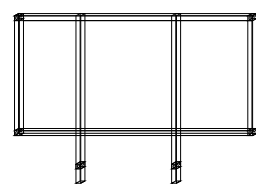
Assemble Instructions

Hardware Identification



Part Identification

① x2PCS



② x6PCS



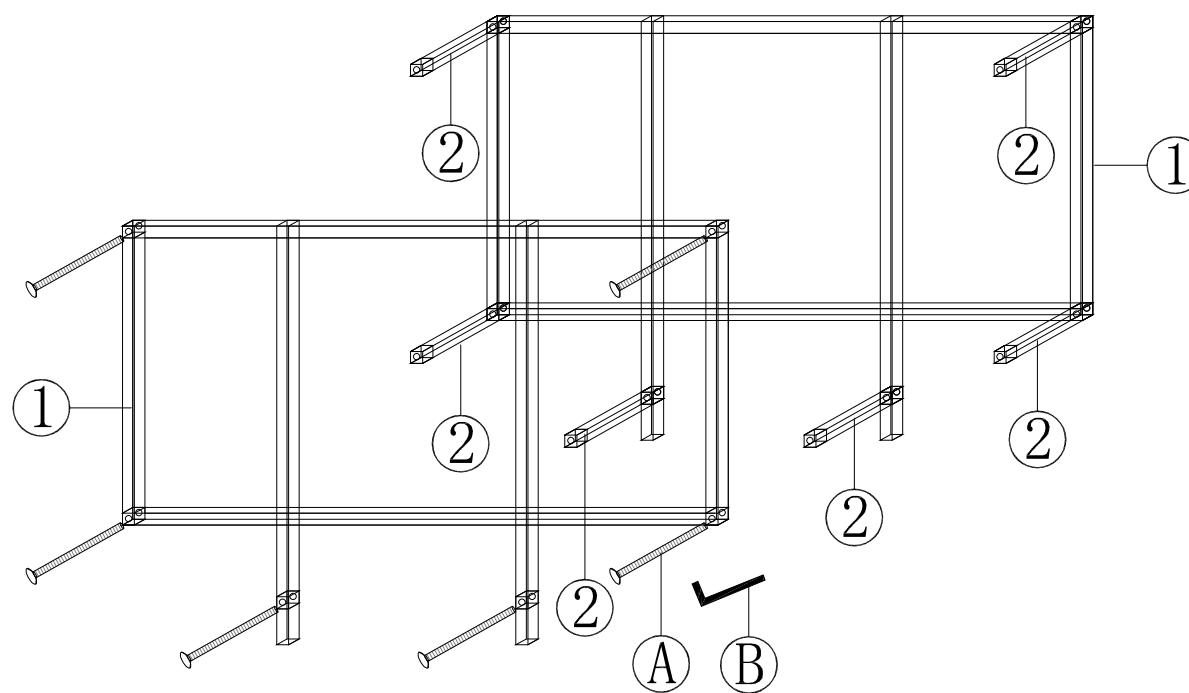
③ x1PC



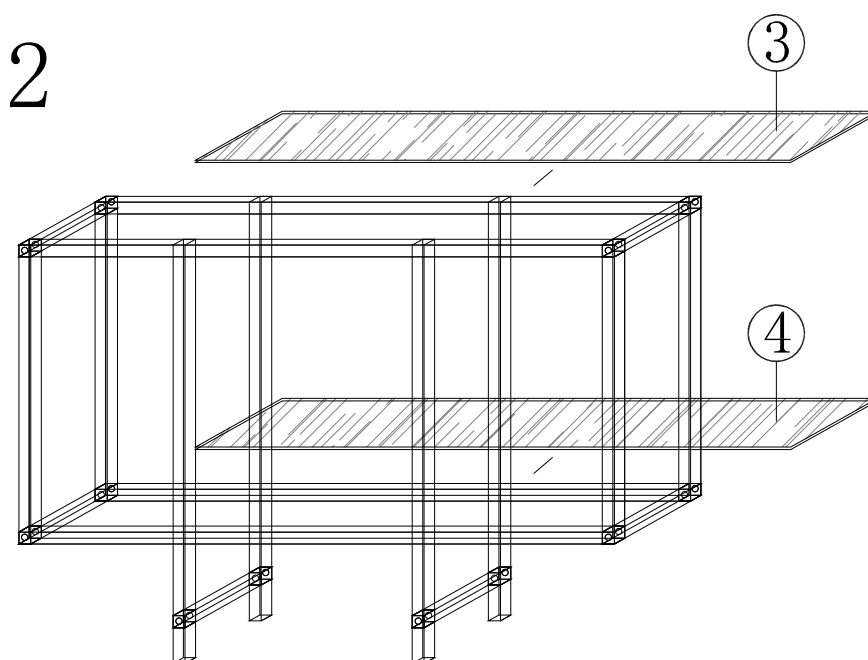
④ x1PC



1



2



3

