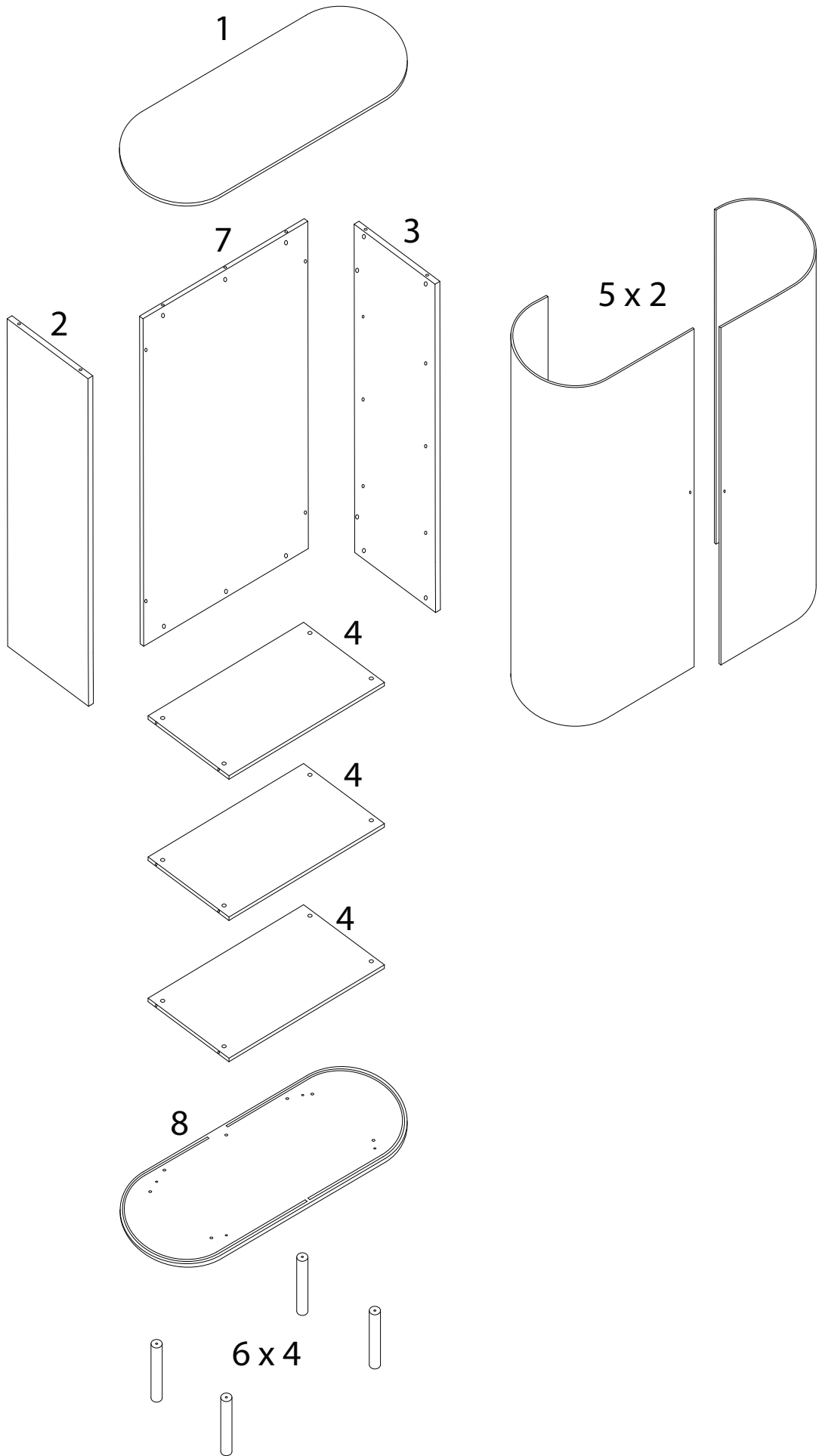
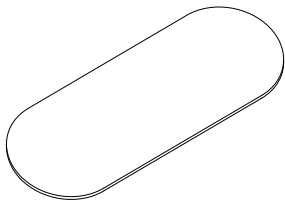


Diagram illustrating assembly steps and safety warnings:

- Step 1:** Shows tools (screwdriver and L-shaped bracket) and a power drill. A warning triangle with an exclamation mark is present.
- Step 2:** Shows a rectangular block being placed on a surface and another block being secured with a screw. A warning triangle with an exclamation mark is present.
- Time:** A clock icon indicates a duration of 30'.
- Personnel:** An icon of a person indicates that 2 people are required for assembly.



1



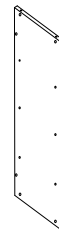
x 1

2



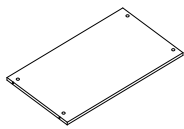
x 1

3



x 1

4



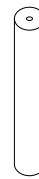
x 3

5



x 2

6



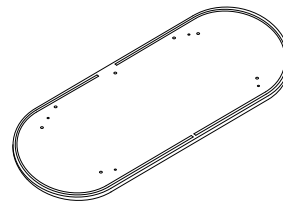
x 4

7



x 1

8



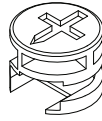
x 1

A



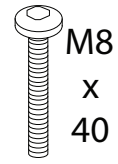
x 30

B



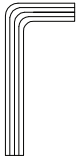
x 30

C



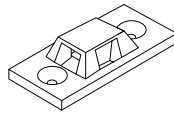
x 4

D



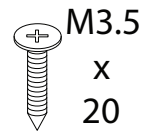
x 1

E



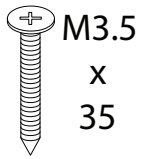
x 2

F



x 2

G



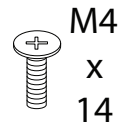
x 2

H



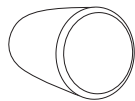
x 1

I



x 2

J



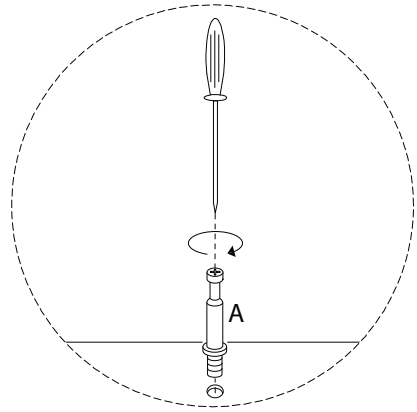
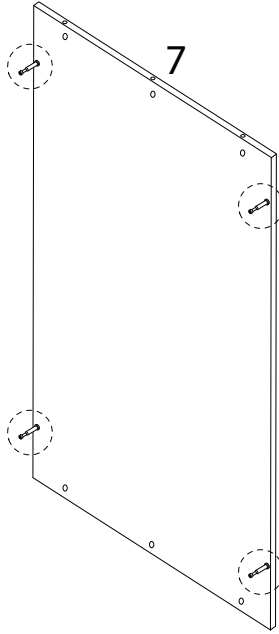
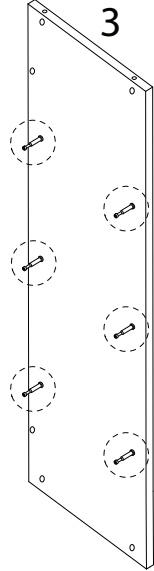
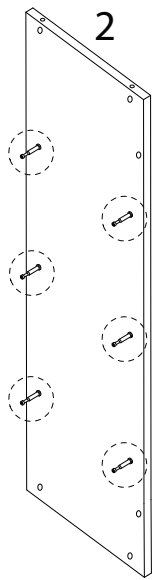
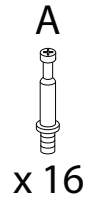
x 2

K



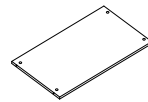
x 2

1

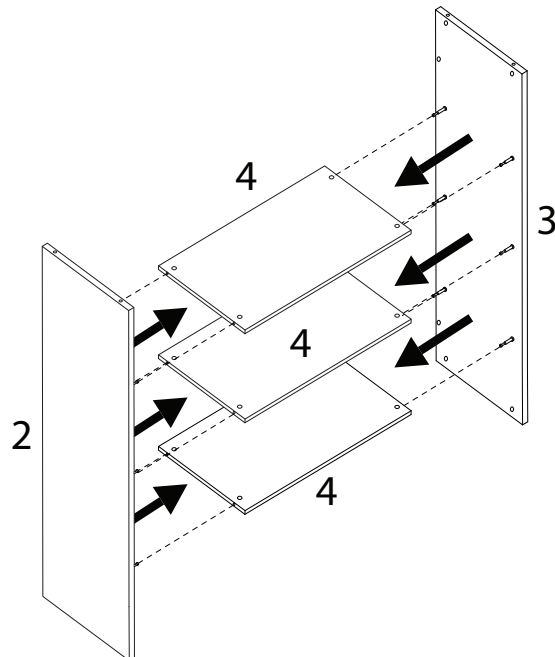


2

4



x3

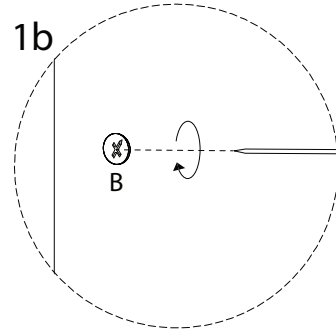
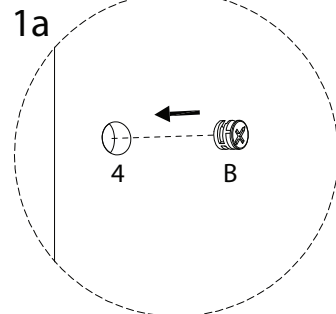
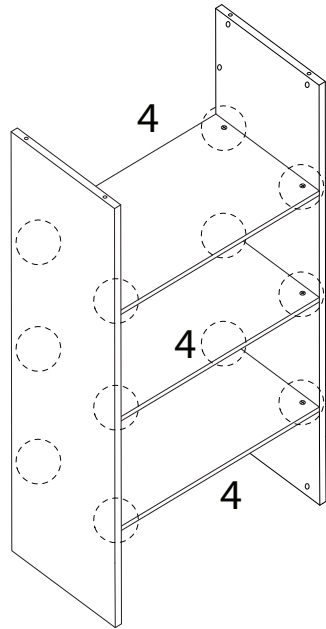


3

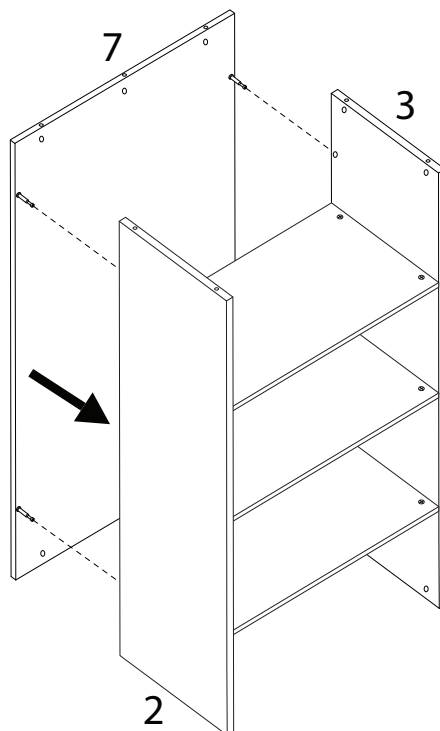
B



x 12



4

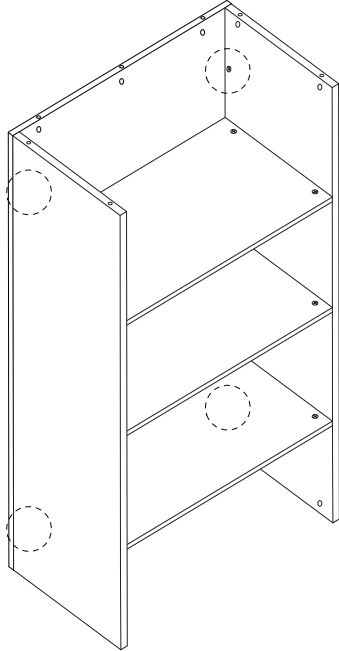


5

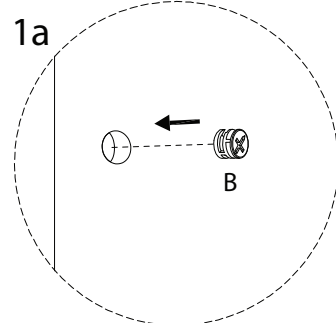
B



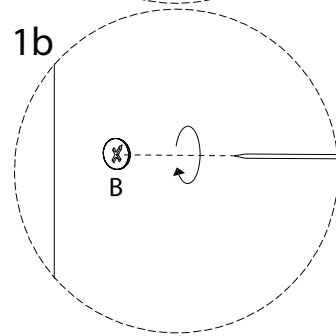
x 4



1a



1b



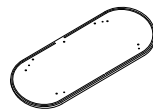
6

1



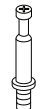
x 1

8

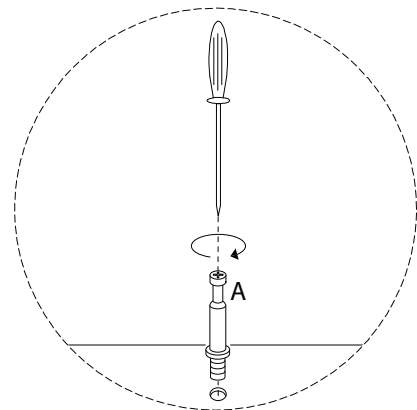
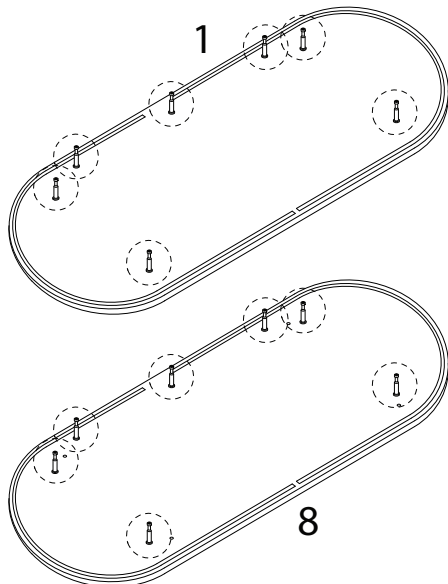


x 1

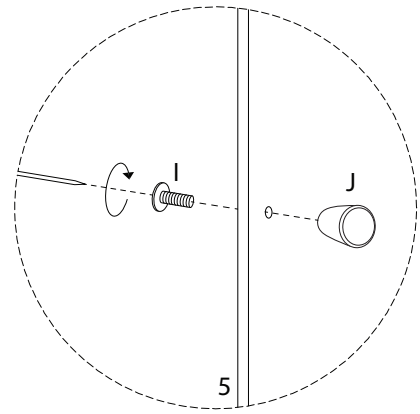
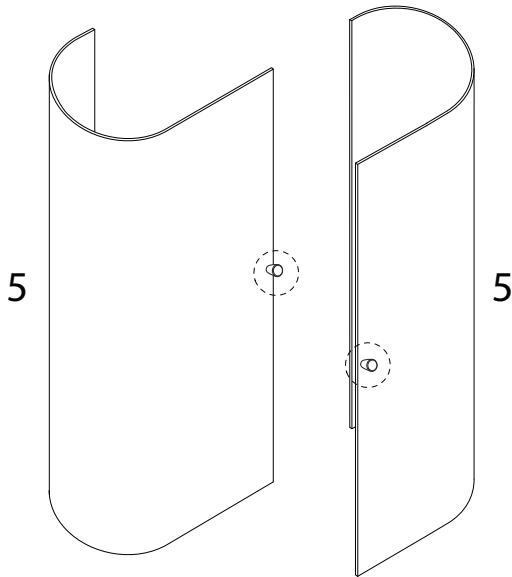
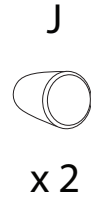
A



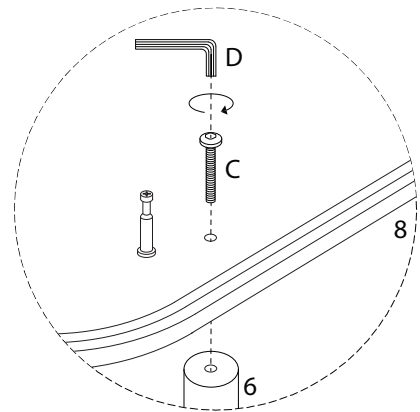
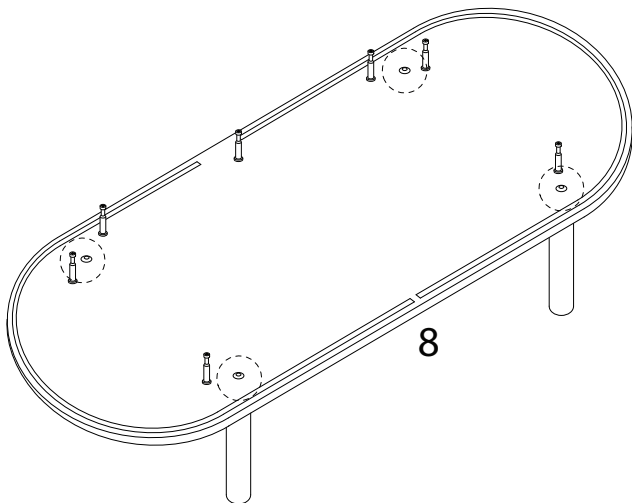
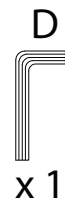
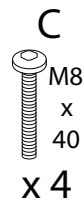
x 14



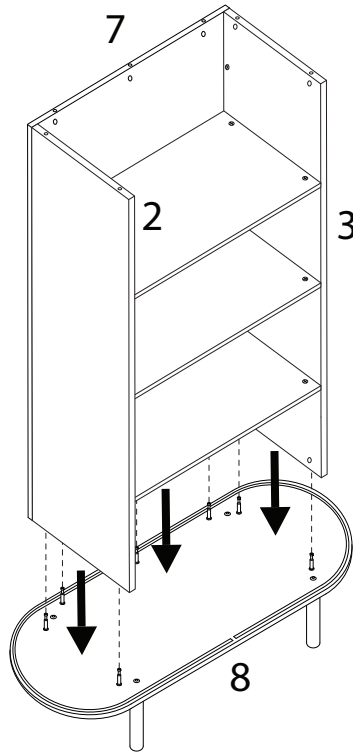
7



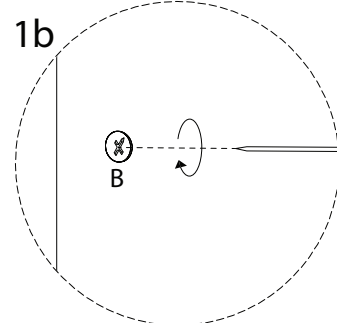
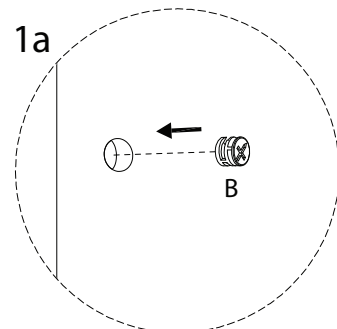
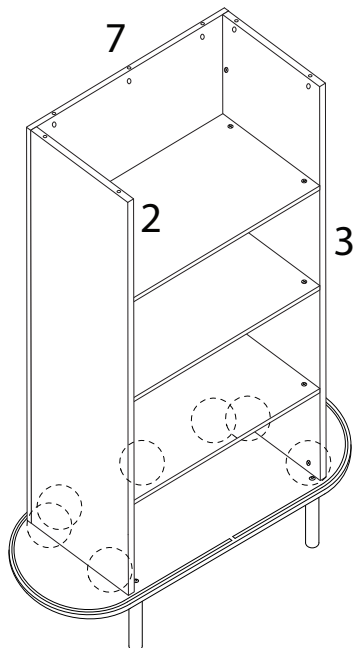
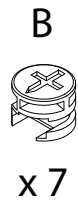
8



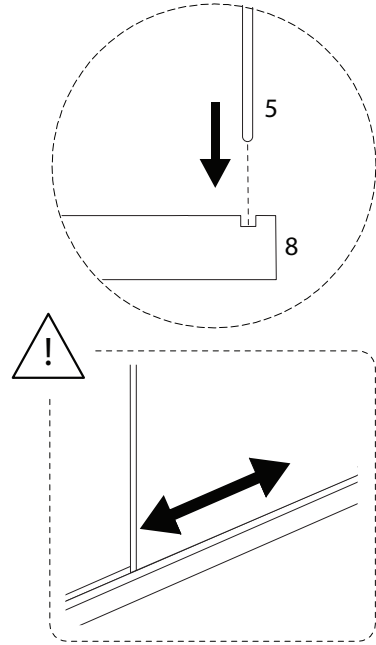
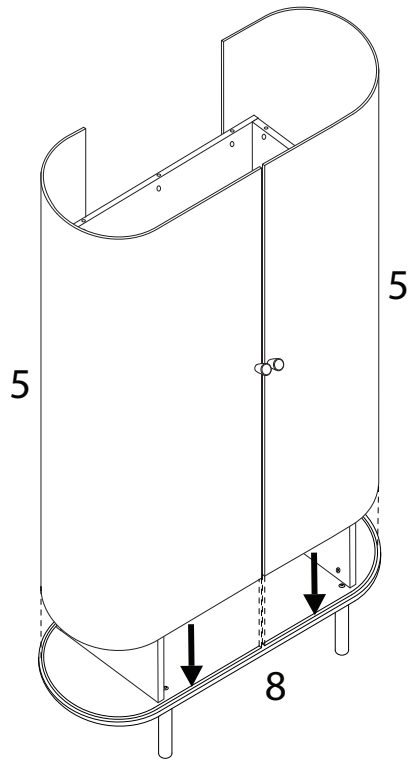
9



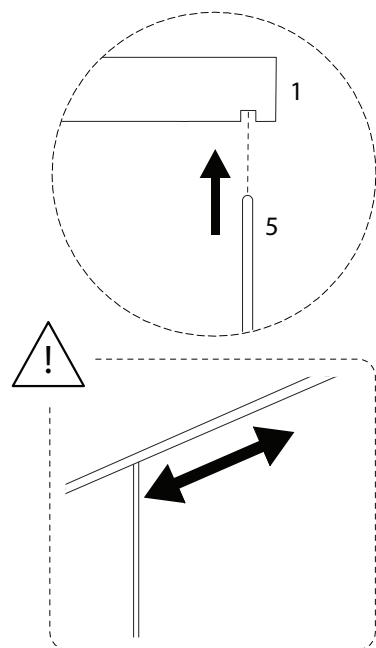
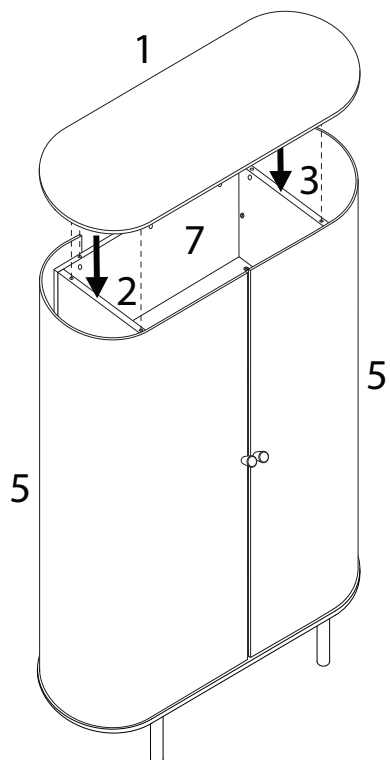
10



11



12

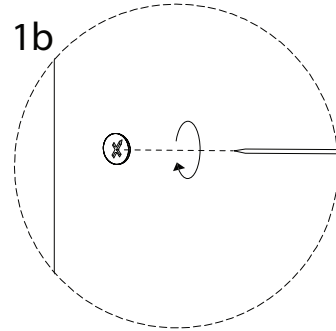
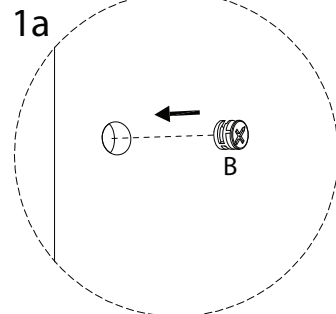
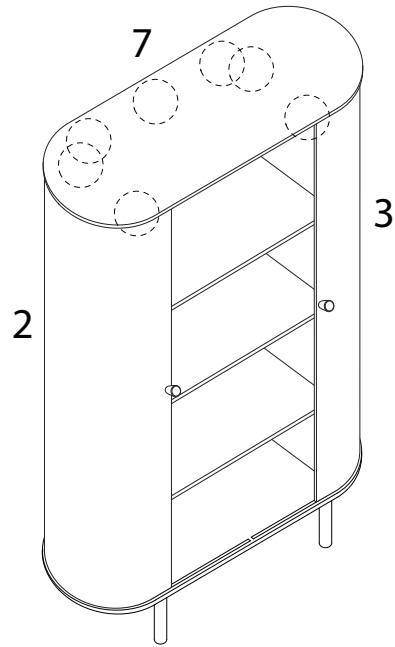


13

B

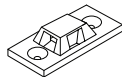


x 7



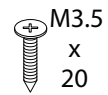
14

E

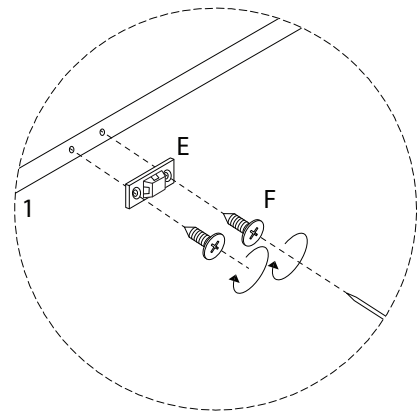
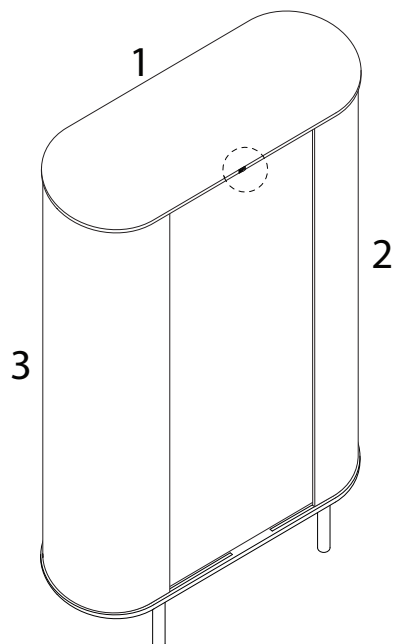


x 1

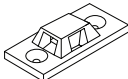
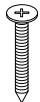


F



x 2



15

<p>E</p>  <p>x 1</p>	<p>G</p>  <p>M3.5 x 35</p> <p>x 2</p>	<p>H</p>  <p>x 1</p>	<p>K</p>  <p>x 2</p>
---	--	--	---

