

ASSEMBLY INSTRUCTIONS



Fine Furniture for every stage of life

ASSEMBLY INSTRUCTIONS

ASSEMBLY TIPS:

1. Remove hardware from box and sort by size.
2. Please check to see that all hardware and parts are present prior to start of assembly.
3. Please follow attached instructions in the same sequence as numbered to assure fast & easy assembly.



WARNING!

1. Don't attempt to repair or modify parts that are broken or defective. Please contact the store immediately.
2. This product is for home use only and not intended for commercial establishments.

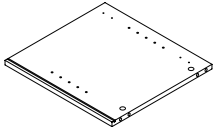
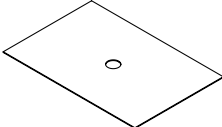
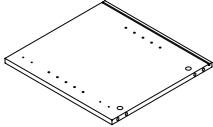
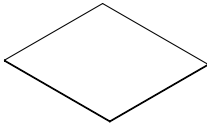
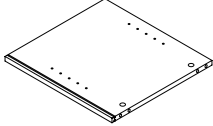
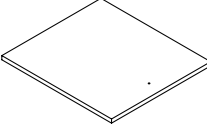
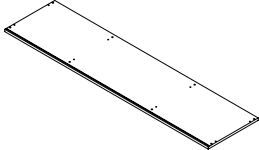
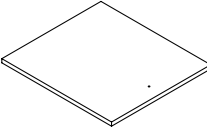
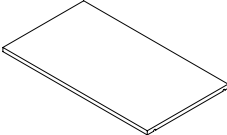
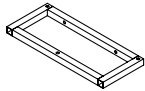
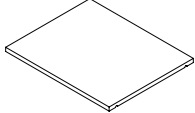
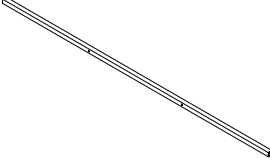
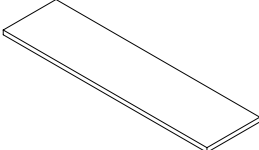
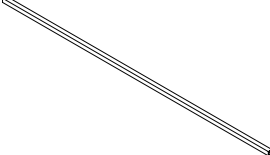


ASSEMBLY TIME

50 MINUTES

MAX TV SIZE : 65"

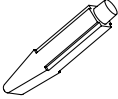
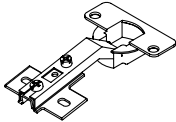
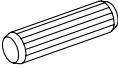

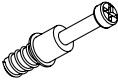
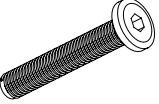



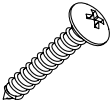
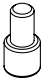

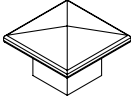


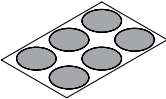
PARTS IDENTIFICATION

A	LEFT SIDE PANEL		1 PC	H	MIDDLE BACK PANEL		1 PC
B	RIGHT SIDE PANEL		1 PC	I	BACK PANEL		2 PCS
C	DIVIDER PANEL		2 PCS	J	LEFT DOOR		1 PC
D	BOTTOM PANEL		1 PC	K	RIGHT DOOR		1 PC
E	LARGE ADJUSTABLE SHELF		1 PC	L	LEG FRAME		2 PCS
F	SMALL ADJUSTABLE SHELF		2 PCS	M	UP CROSSBAR		2 PCS
G	TOP PANEL		1 PC	N	LOWER CROSSBAR		1 PC

NOTE:

Phillips head screw driver is required in the assembly process; however, manufacturer does not provide this item.

HARDWARE IDENTIFICATION

Z							
NO	DESCRIPTION	FIGURE	Q'TY	NO	DESCRIPTION	FIGURE	Q'TY
1	GLUE 15g		1 PC	9	HINGE Ø35mm SR		4 PCS
2	WOODEN DOWEL Ø8x30mm		16 PCS	10	HINGE SCREW Ø4x15mm SR		16 PCS
3	CAM BOLT Ø7x35.5mm SR		8 PCS	11	BOLT M6x43mm BLK		6 PCS
4	CAM LOCK Ø15x12mm SR		8 PCS	12	BOLT Ø7x32mm BLK		4 PCS
5	SCREW Ø4.5x42mm SR		8 PCS	13	SCREW Ø5x35mm BLK		4 PCS
6	PIN FOR ADJUSTABLE SHELF Ø4.9x15mm SR		12 PCS	14	FLOOR PROTECTOR 20x20mm		4 PCS
7	HANDLE BLK		2 PCS	15	ALLEN WRENCH 4mm SR		1 PC
8	HANDLE BOLT BLK		2 PCS	16	STICKER Ø20mm		2 PCS

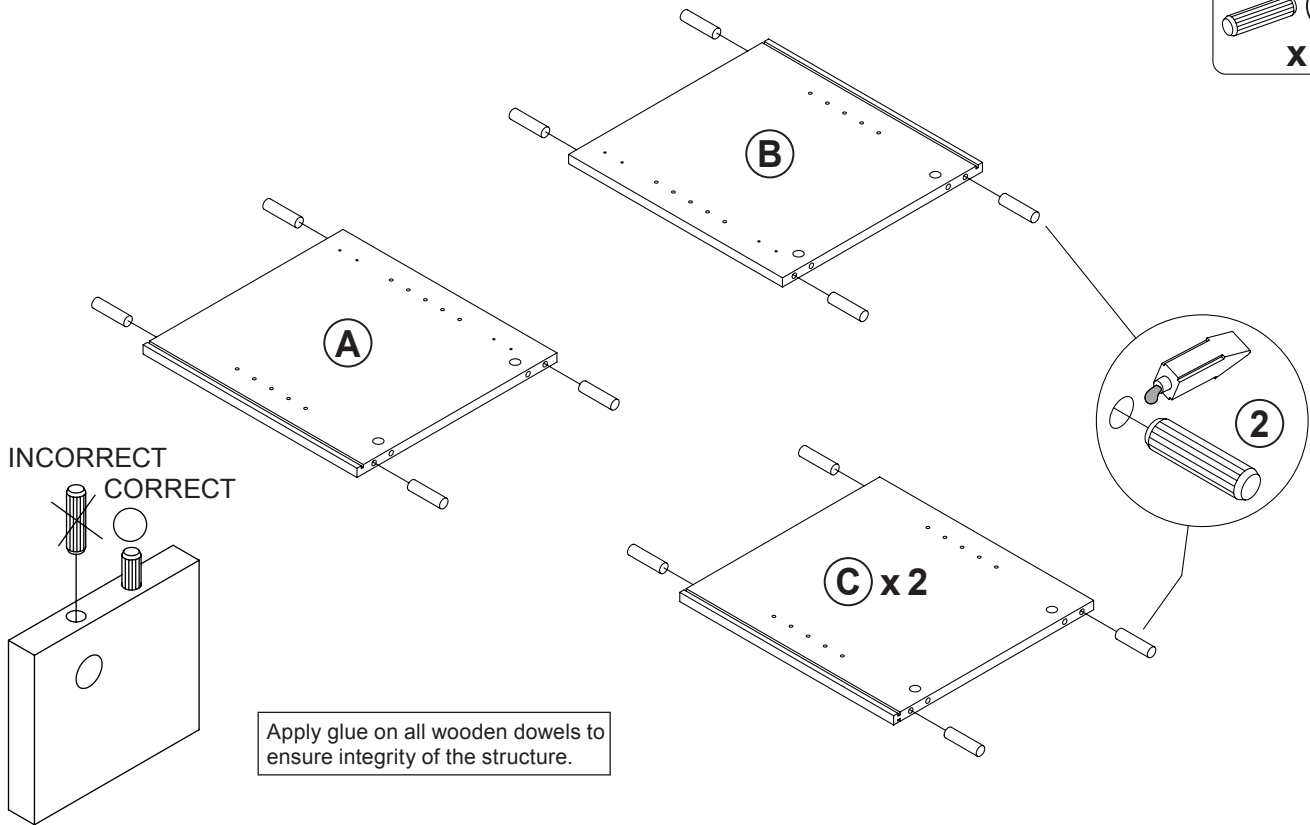
Z9 not included in blister packaging.

NOTE:

Phillips head screw driver is required in the assembly process; however, manufacturer does not provide this item.

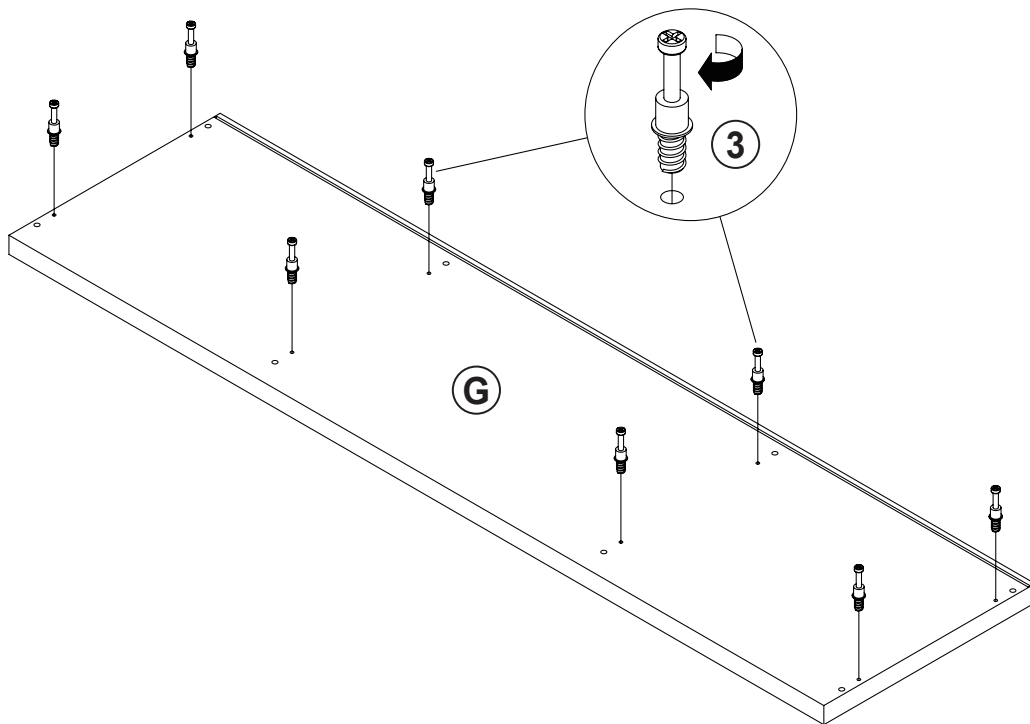
STEP 1

2
x 16

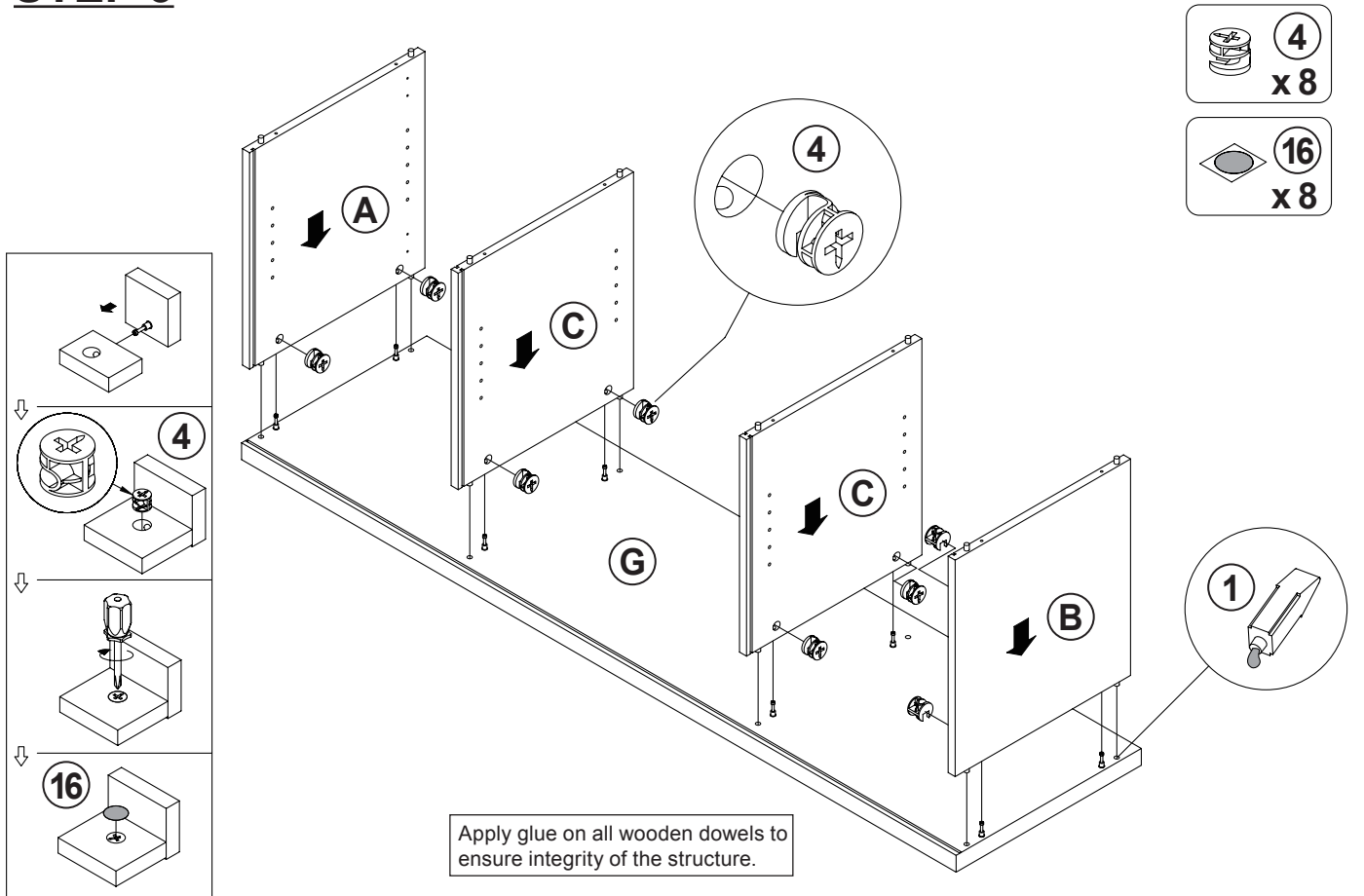


STEP 2

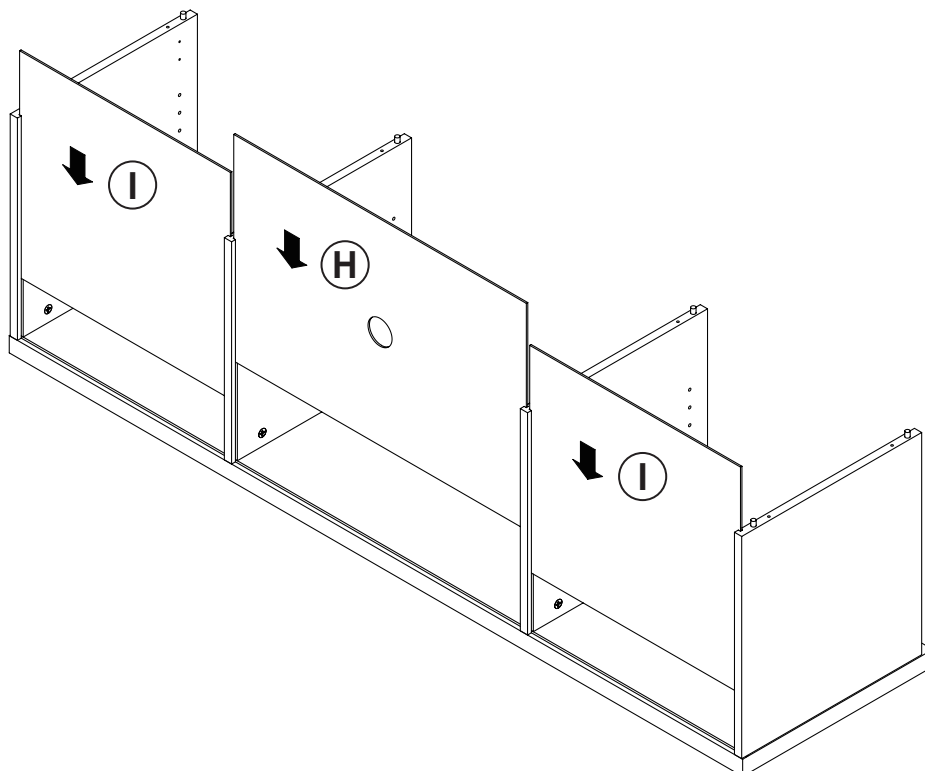
3
x 8



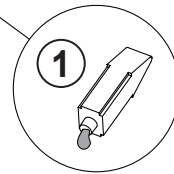
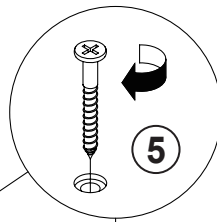
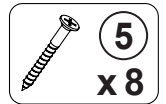
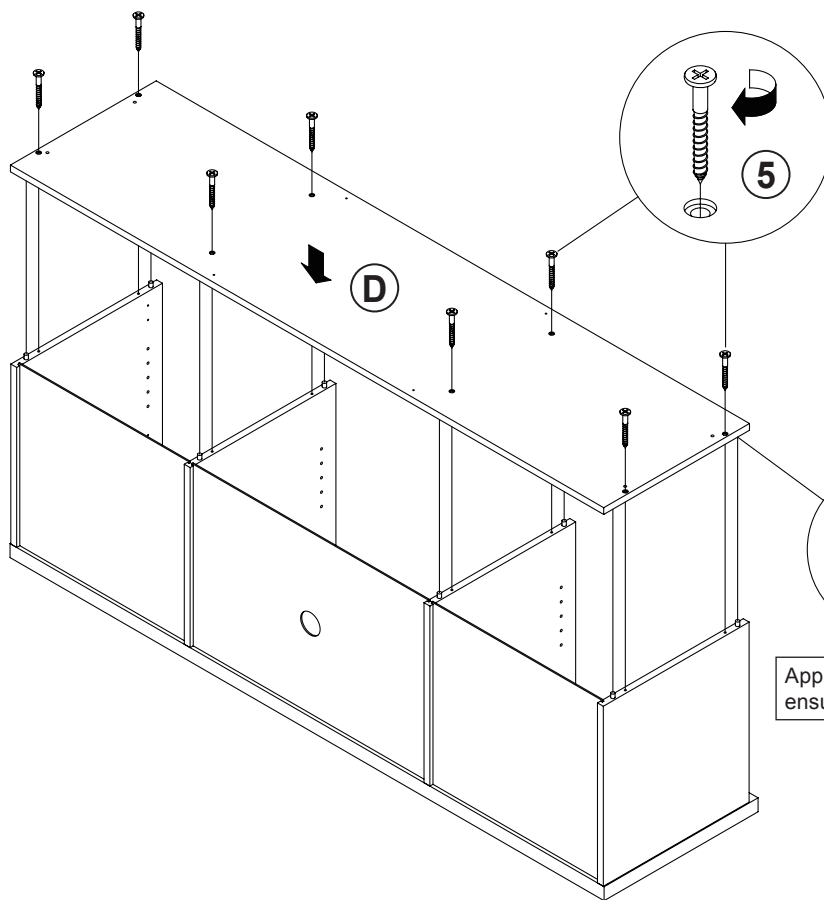
STEP 3



STEP 4

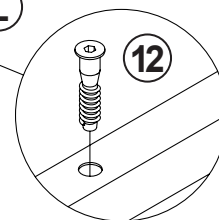
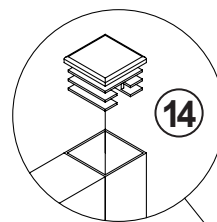
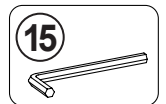
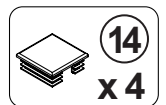
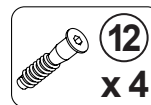
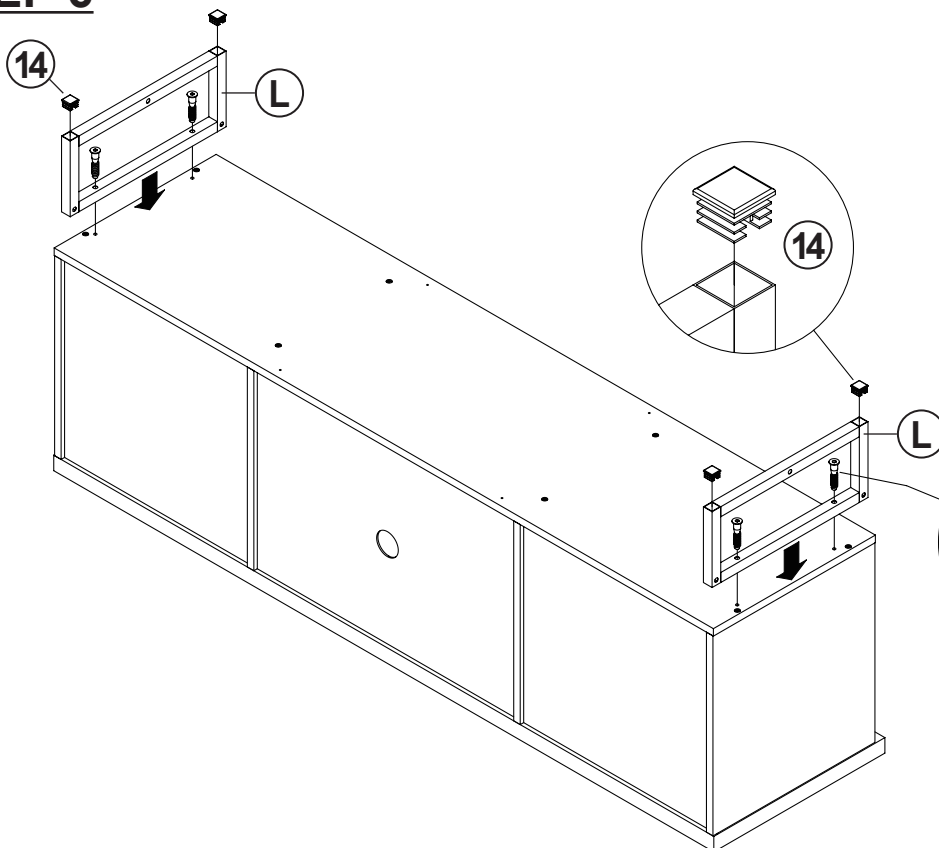


STEP 5

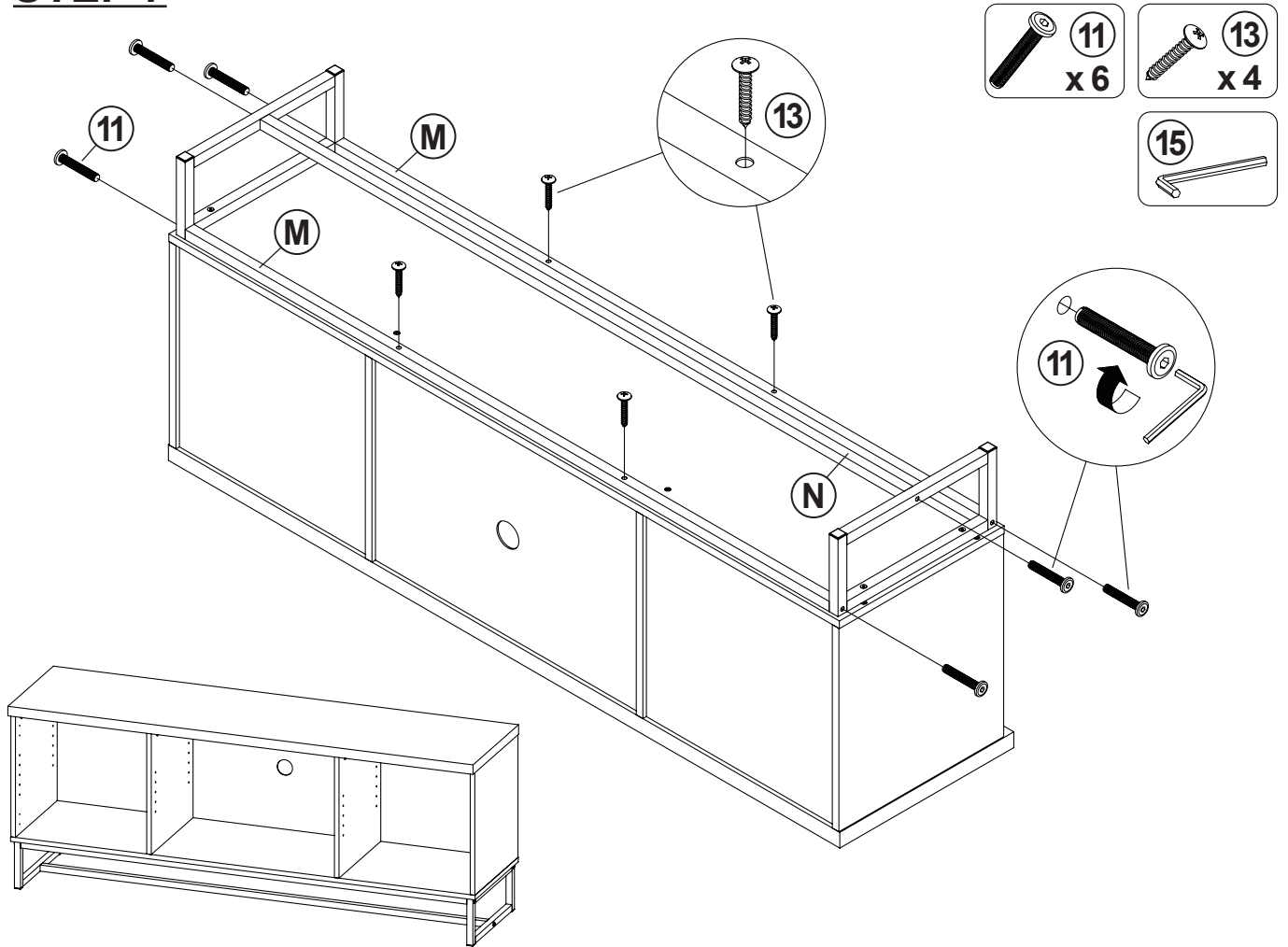


Apply glue on all wooden dowels to ensure integrity of the structure.

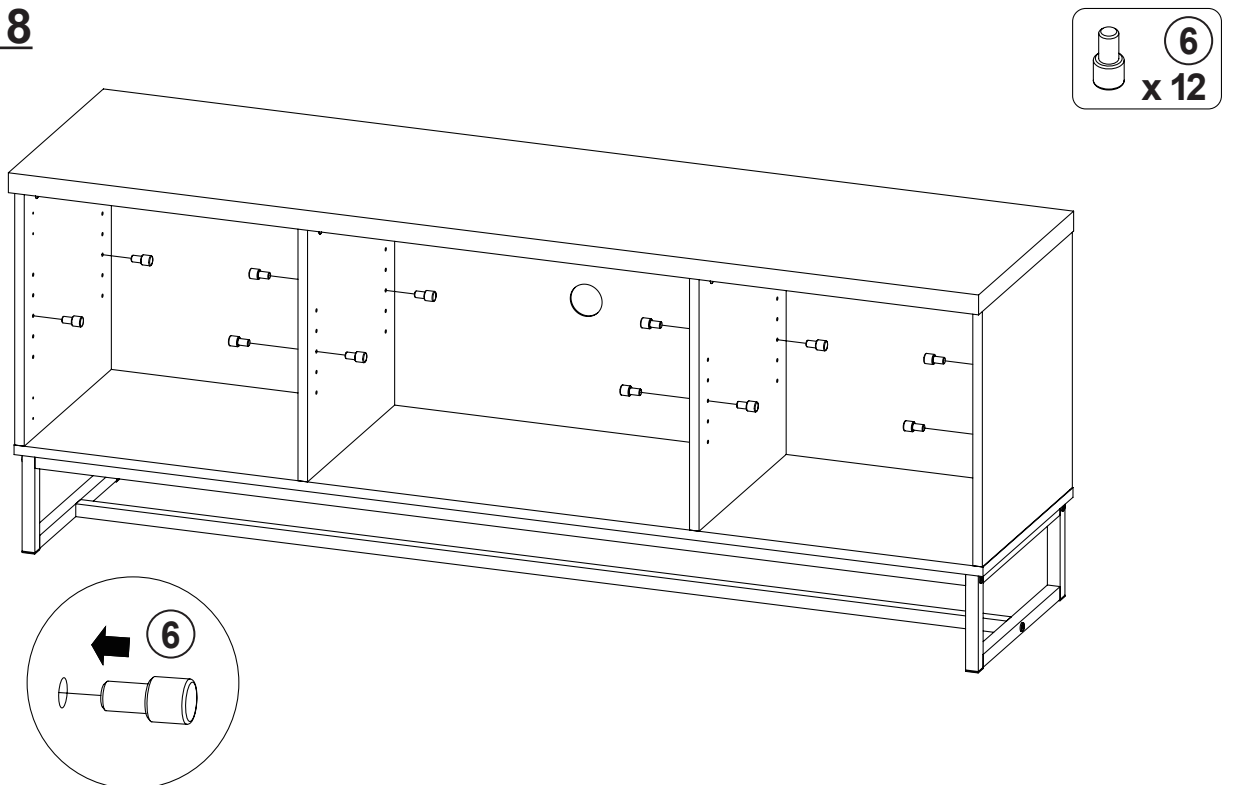
STEP 6



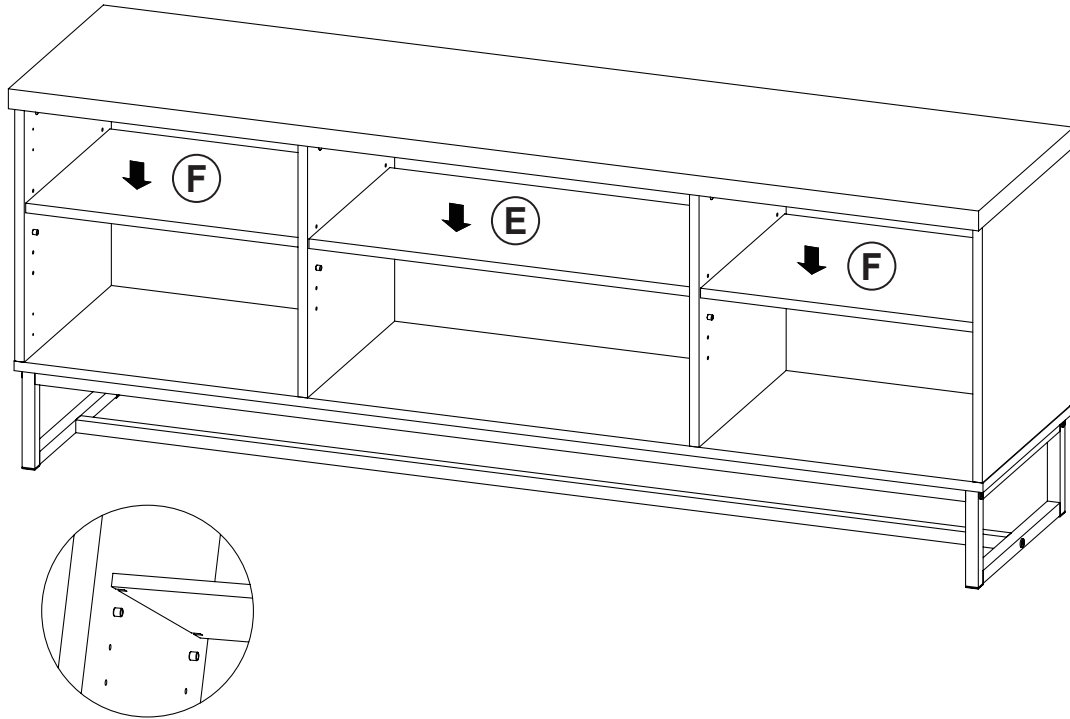
STEP 7



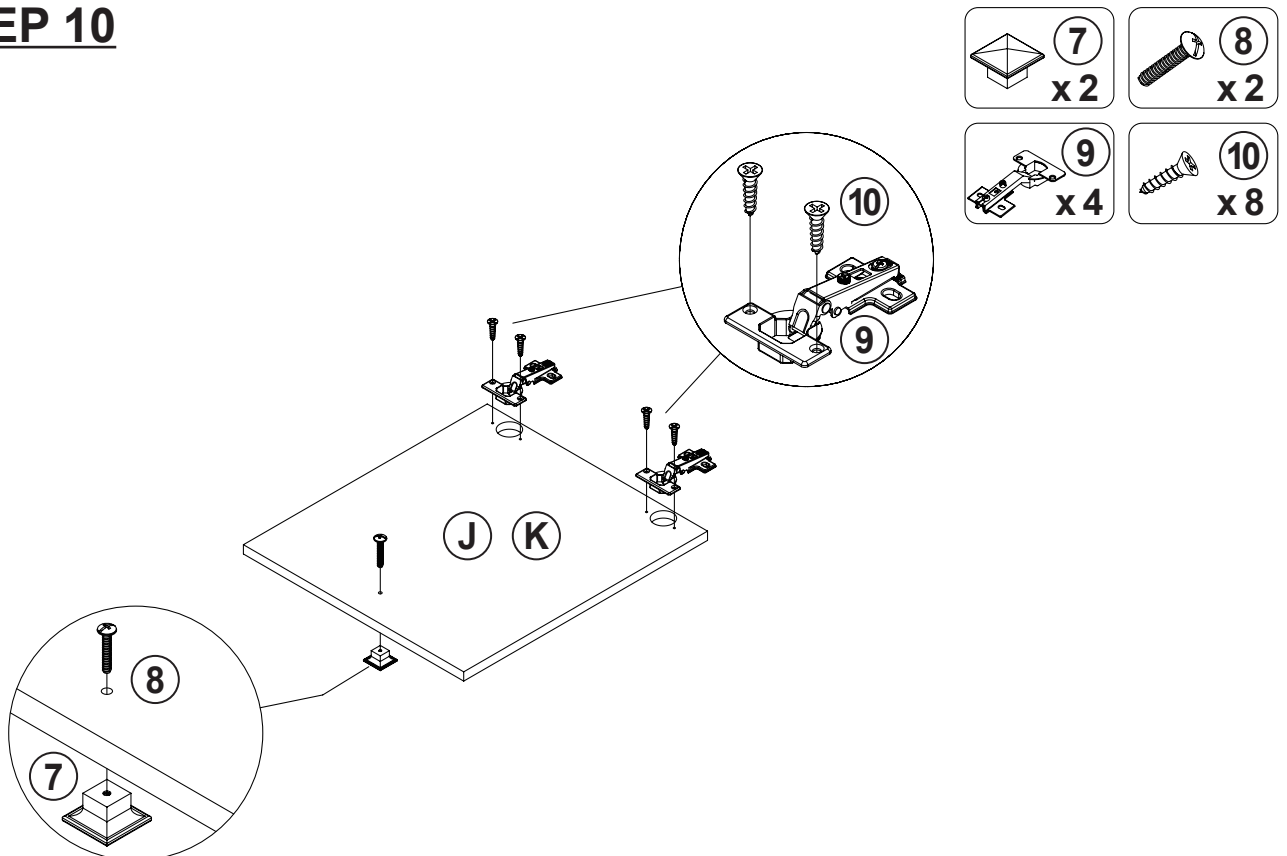
STEP 8




STEP 9

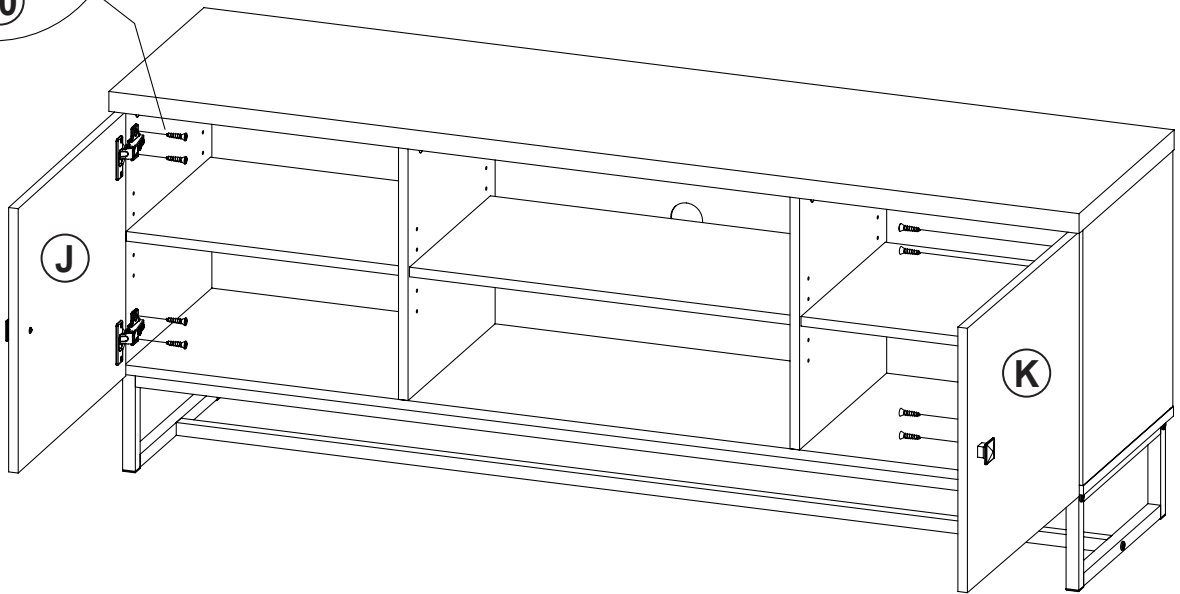
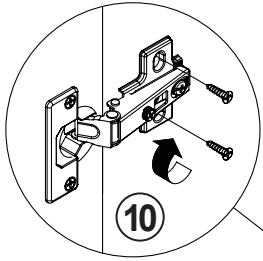


STEP 10

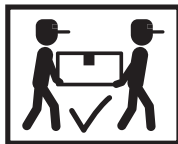
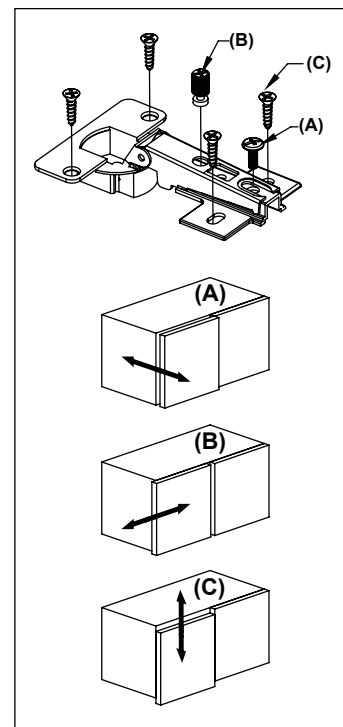
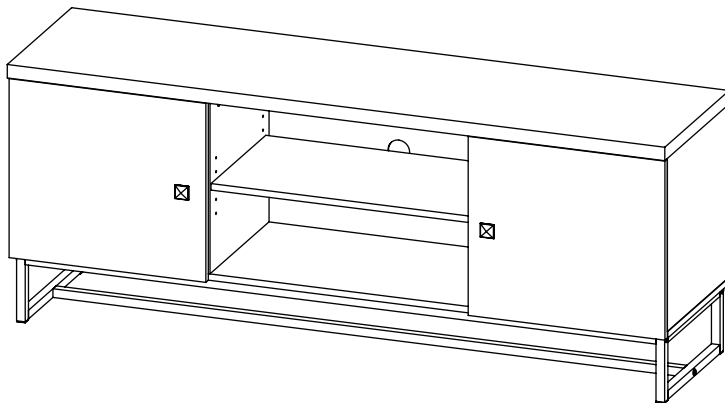


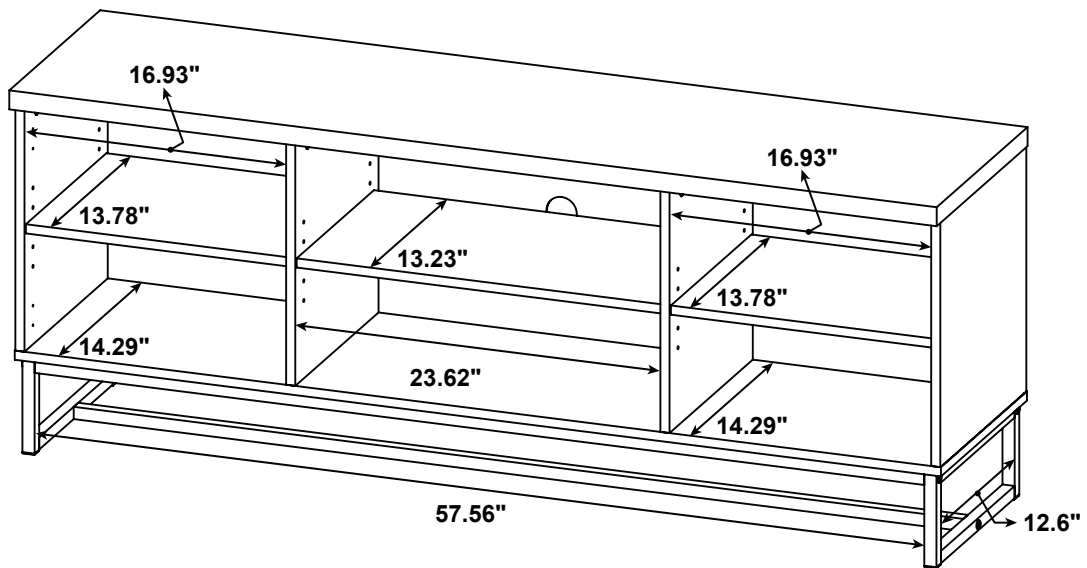
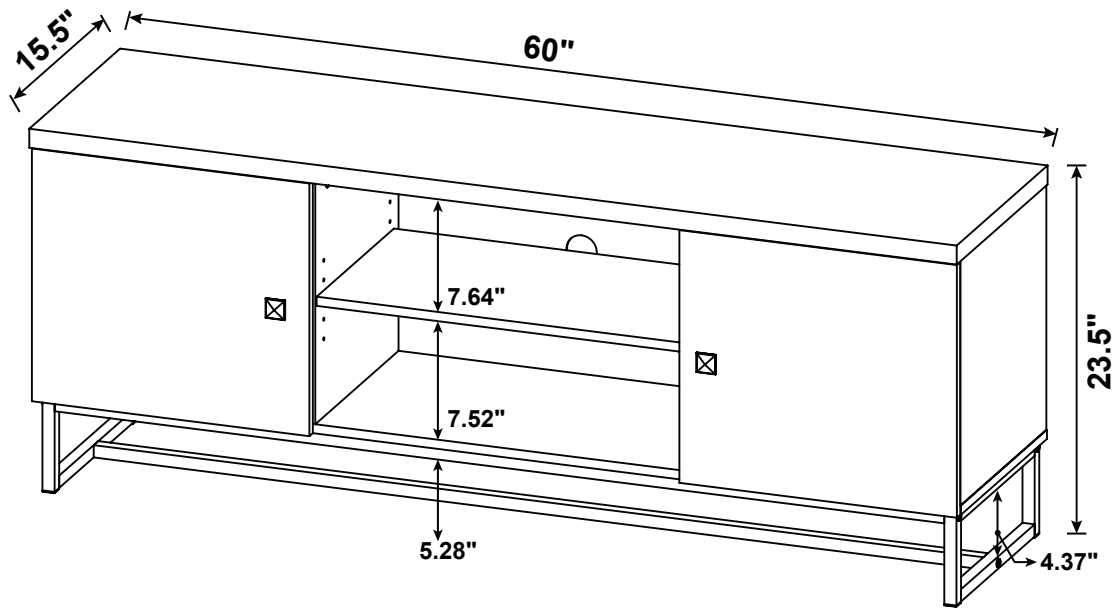
STEP 11

 **10**
x 8



COMPLETE





Note : Dimension tolerance $\pm 5\%$