





Sideboard

# Assembly Instruction



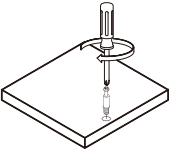
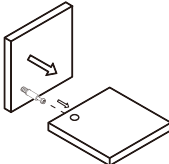
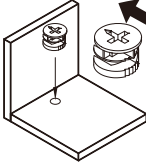
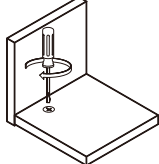
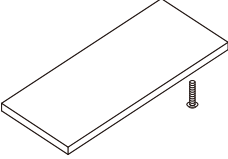
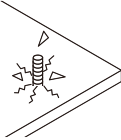
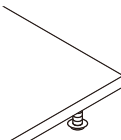


Version:1.0

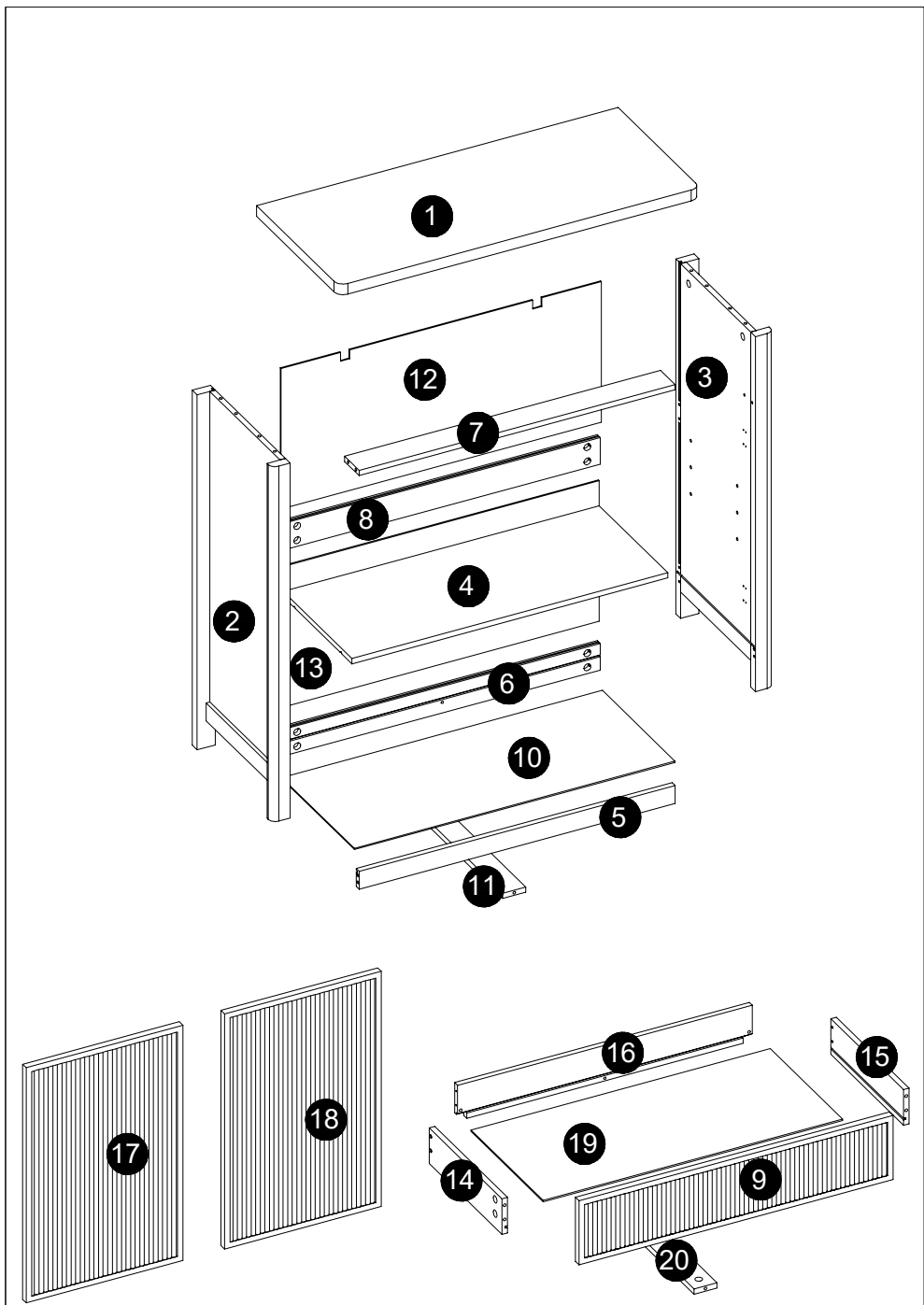
## 1. Installation precautions

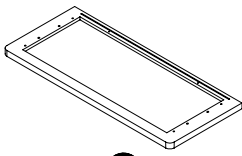
 <p>2 PERS.</p>	 <p>Tools required (not included)</p>
---	--

## 2. Matters needing attention

<b>⚠ WARNING</b>		
	<p><b>Children have died from furniture tipover. To reduce the risk of furniture tipover:</b></p> <ul style="list-style-type: none"><li>- ALWAYS install Anti-tip device provided.</li><li>- NEVER put a TV on this product.</li><li>- NEVER allow children to stand, climb or hang on drawers, doors, or shelves.</li><li>- NEVER open more than one drawer at a time.</li></ul> <p>Place heaviest items in the lowest drawers.</p>	
	<p><b>This is a permanent label. Do not remove!</b></p>	
<h3>Cam Lock Fastening System</h3>		
<p>Insert the cam bolt into the hole first, then insert the cam lock and lock it.</p>		
<p>1.</p> 	<p>2.</p> 	
<p>3.</p>  <p>The opening must point toward the edge of the board</p>	<p>4.</p> 	
 <p>Be sure to use the proper screws to avoid damaging the parts.</p>	 <p>Wrong screws can cause the plank to crack</p>	 <p>The right screw is the right size</p>

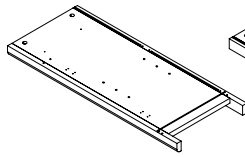
**Please check that you have all the parts listed before starting assembly, if you find something missing, please stop the assembly and contact us immediately.**





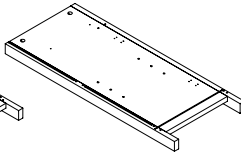
1

x1



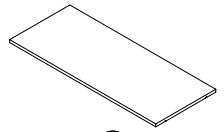
2

x1



3

x1



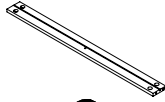
4

x1



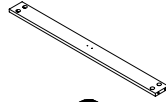
5

x1



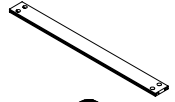
6

x1



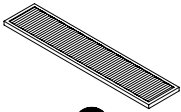
7

x1



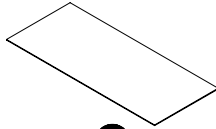
8

x1



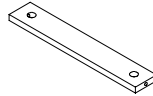
9

x1



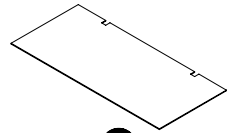
10

x1



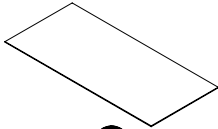
11

x1



12

x1



13

x1



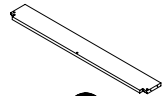
14

x1



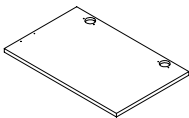
15

x1



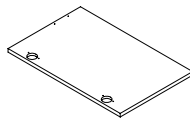
16

x1



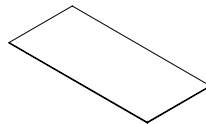
17

x1



18

x1



19

x1



20

x1

# Installation Parts



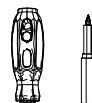
**A**  
x25(+2)



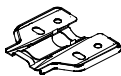
**B**  
x25(+2)



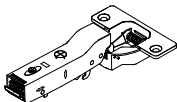
**C**  
x6(+1)  
Ø6x30mm



**D**  
x1



**E1**  
x4



**E2**  
x4



**F**  
x36(+3)  
Ø3.5x12mm



**G**  
x4  
Ø30x10mm



**H**  
x3



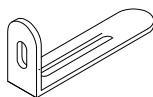
**I**  
x7(+2)  
Ø4x40mm



**J**  
x2



**K**  
x1



**L**  
x2



**M**  
x16(+1)



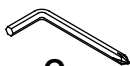
**N**  
x16(+1)  
Ø3x16mm



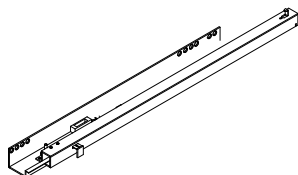
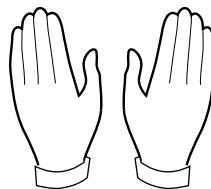
**O**  
x2  
Ø4x12mm



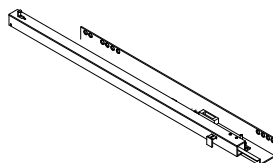
**P**  
x4



**Q**  
x1

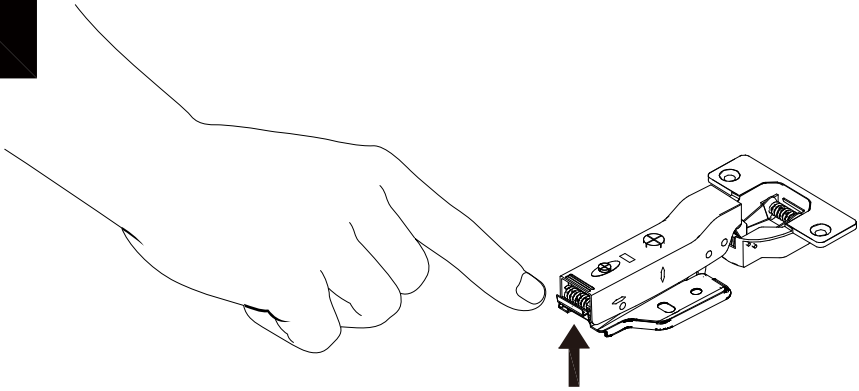


L300mm

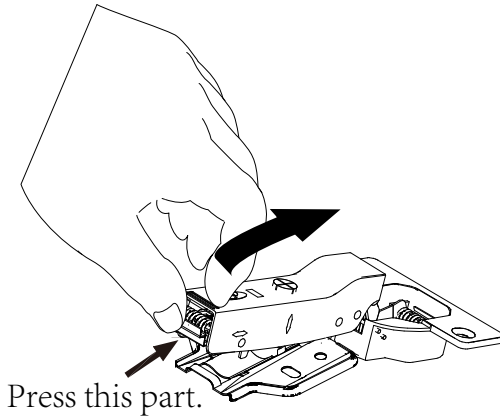


R300mm

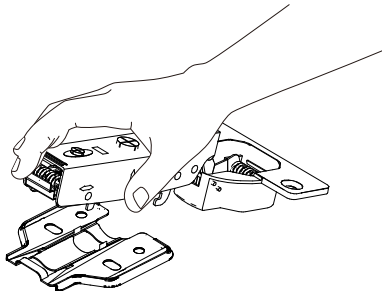
1



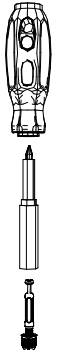
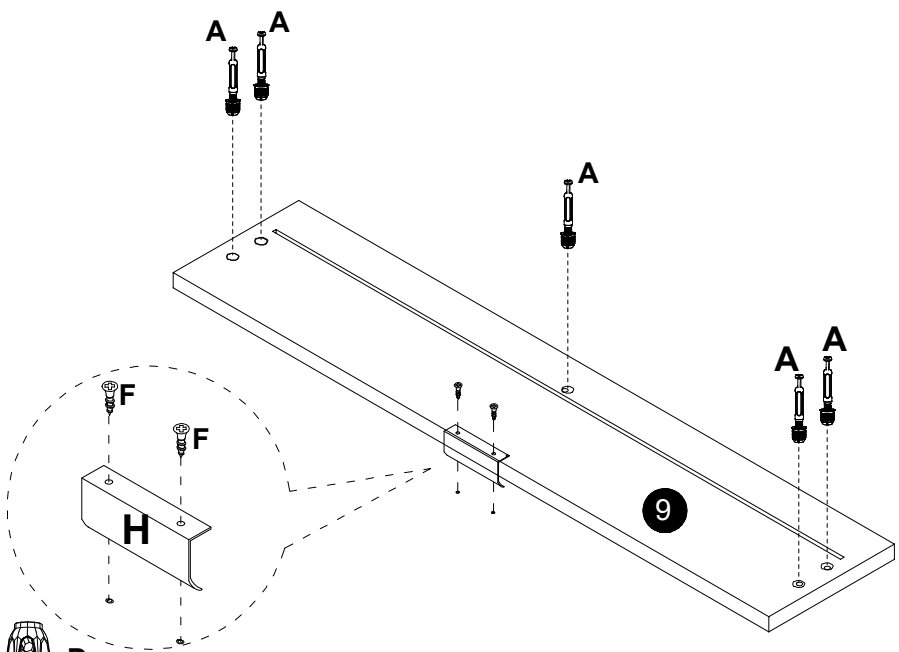
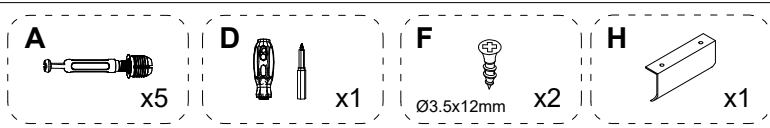
Press this part.



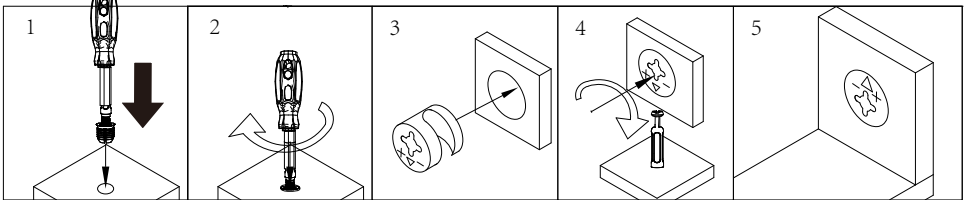
Press this part.



The two parts are completely separated.

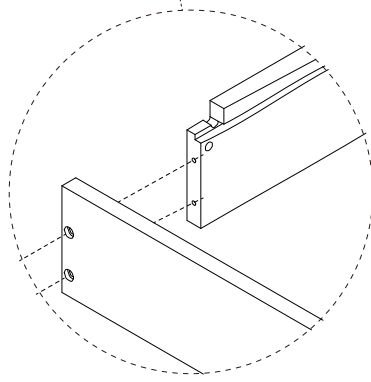
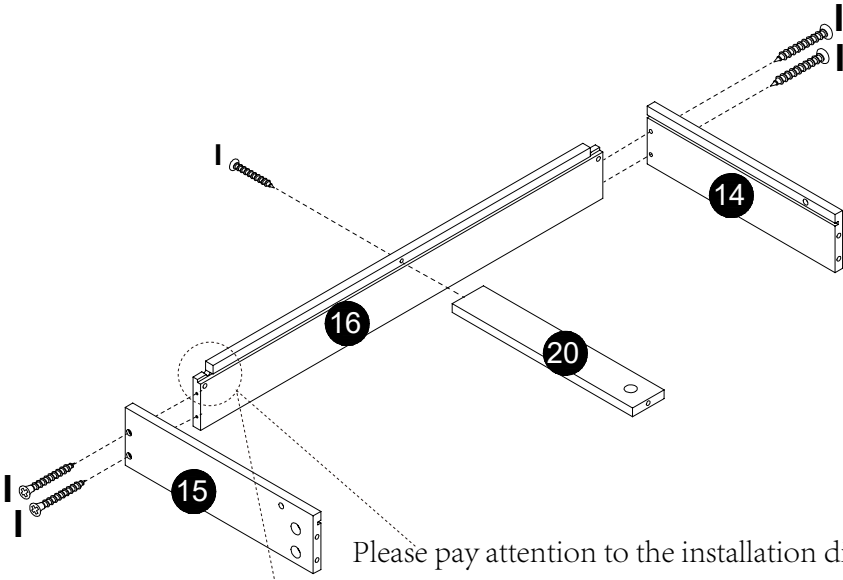
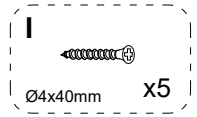
**2**

**D** ↓ As shown in the picture,  
**D** ↓ align the opposite end of Part D with Part A  
**A** in sequence for assembly.

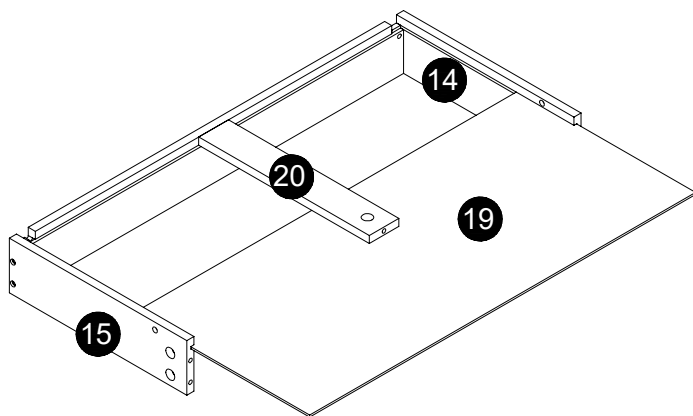


Before installation, the screws should be flush with the surface of the board.

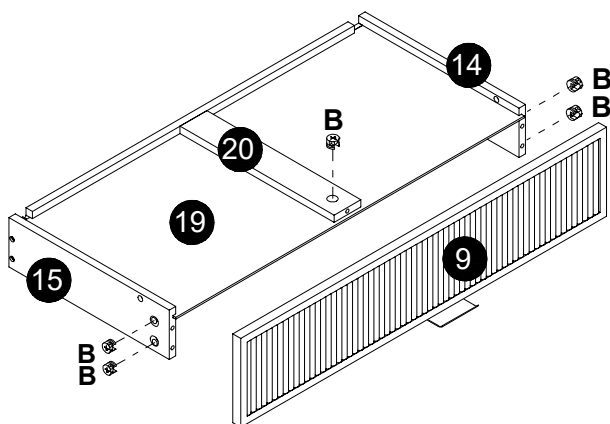
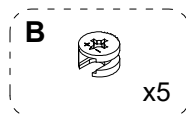
3



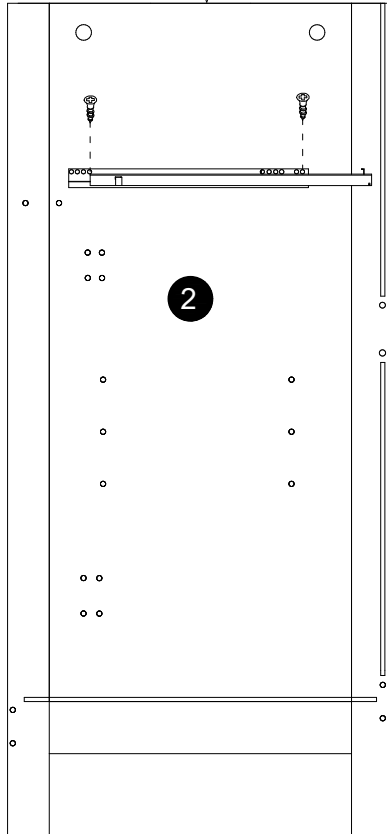
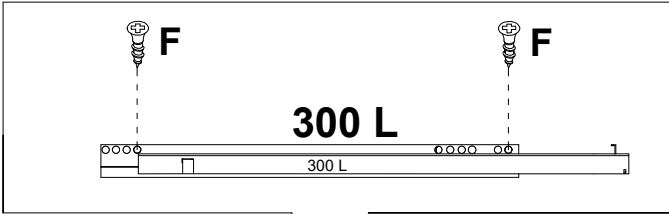
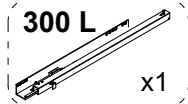
4



5

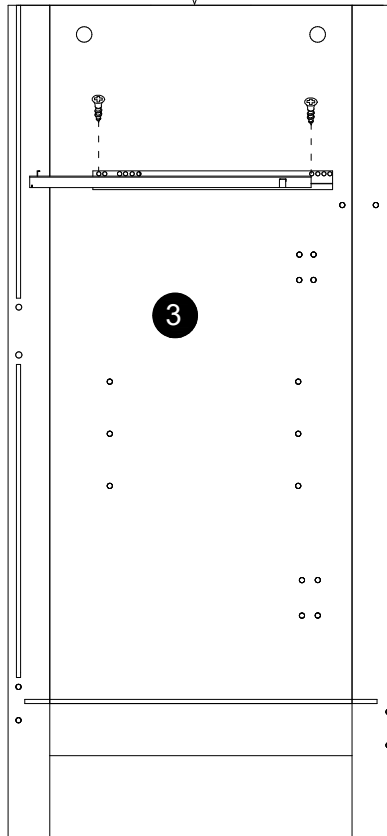
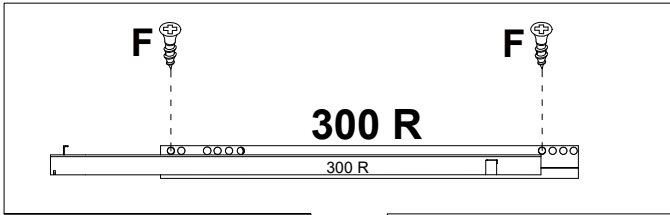
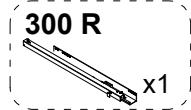
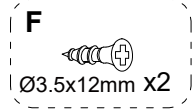


6



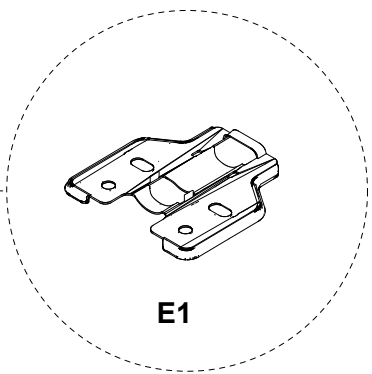
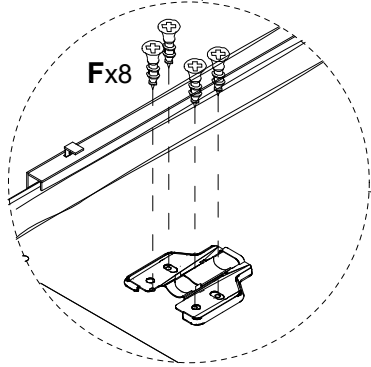
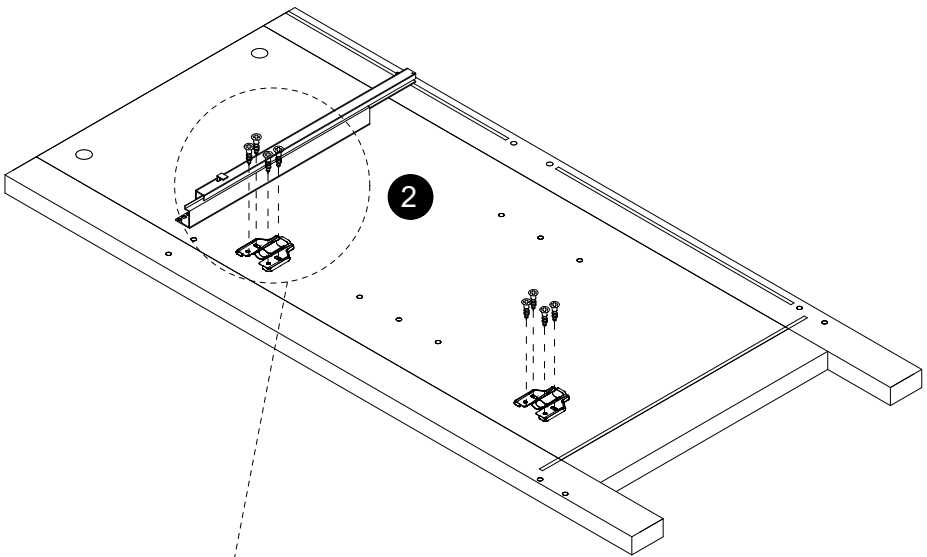
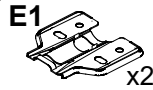
Please pay attention to the installation direction.

7

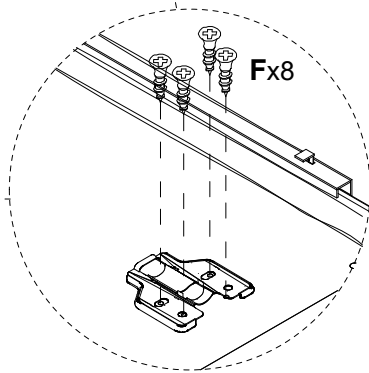
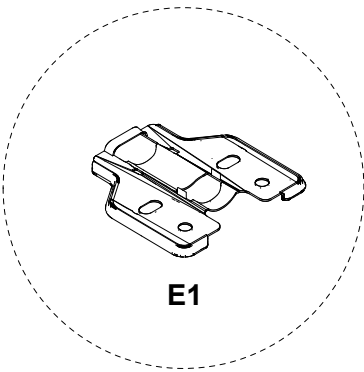
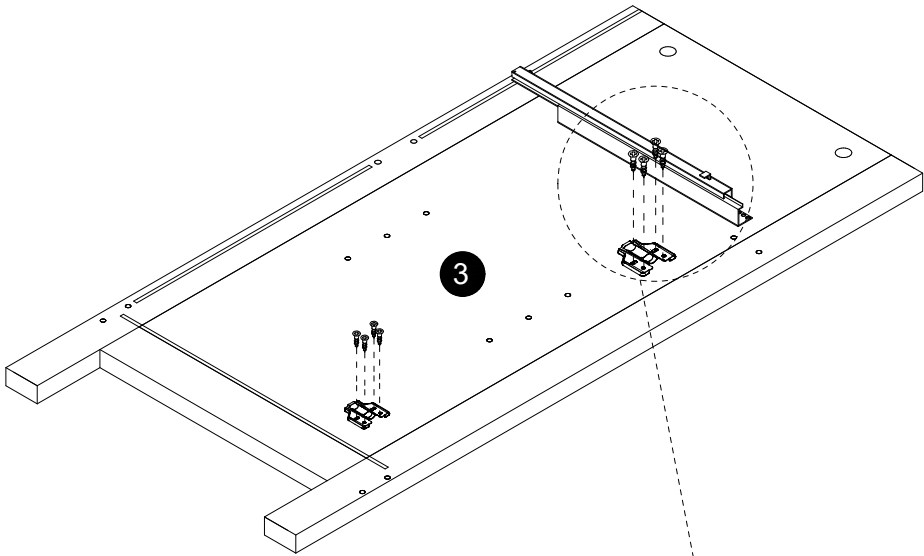
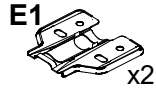


Please pay attention to the installation direction.

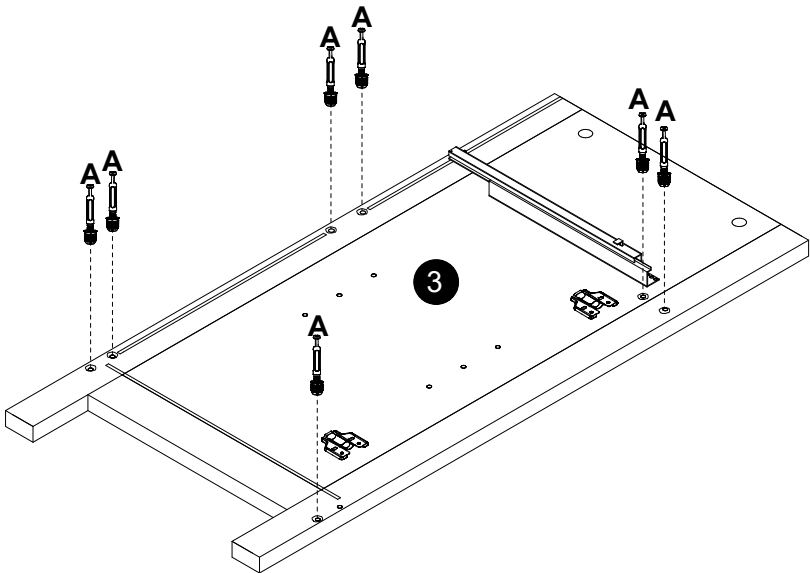
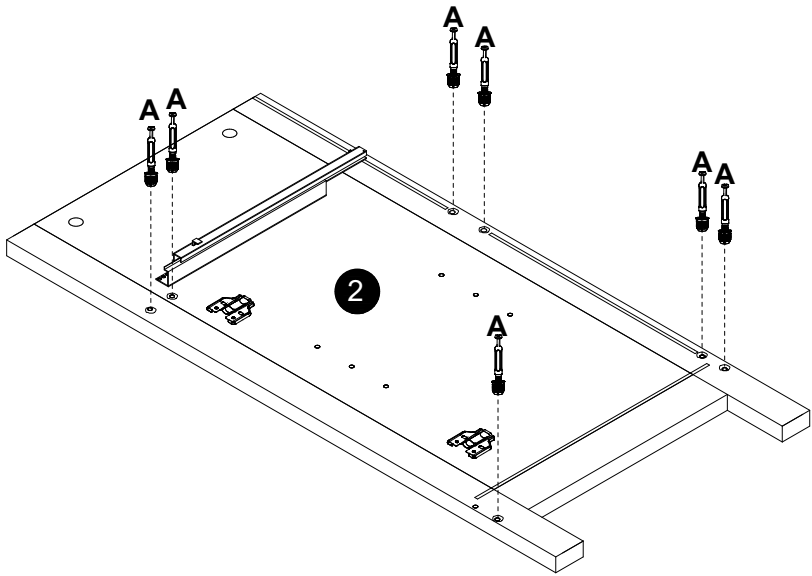
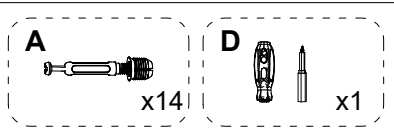
8



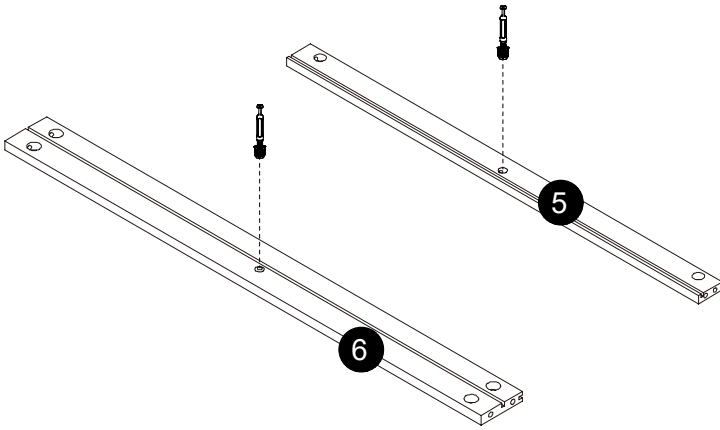
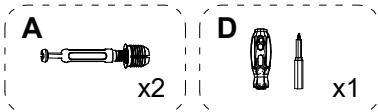
9



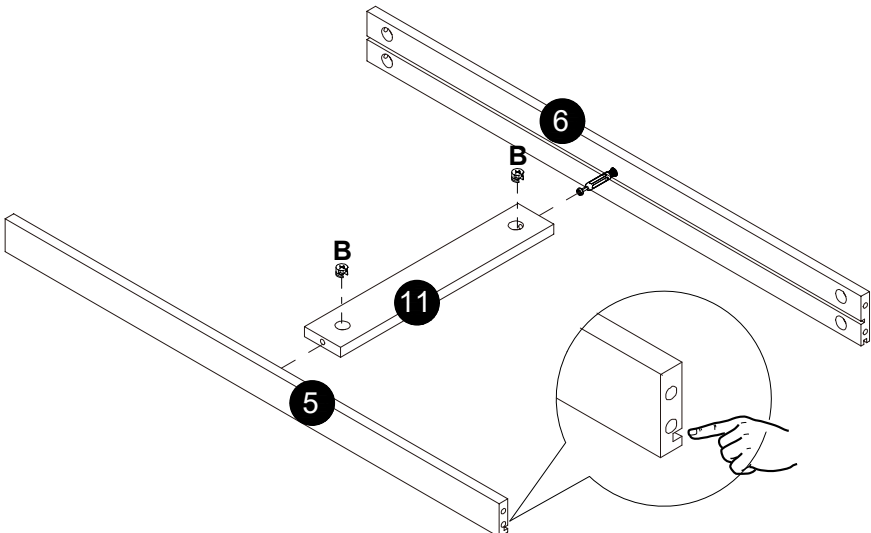
10



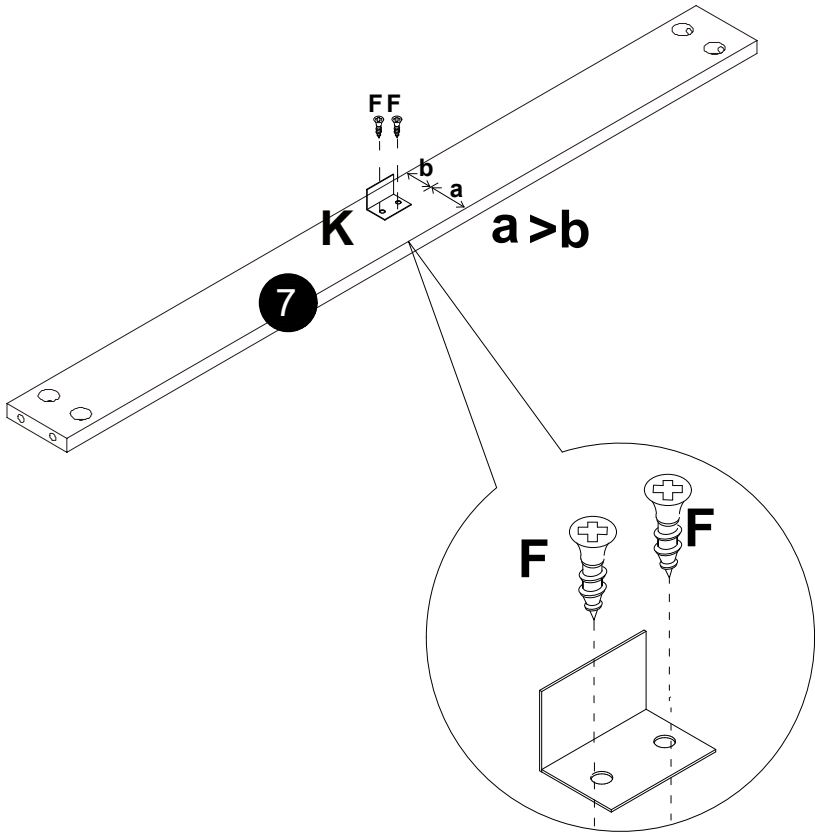
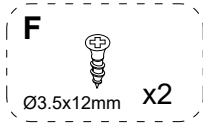
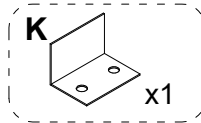
11




12




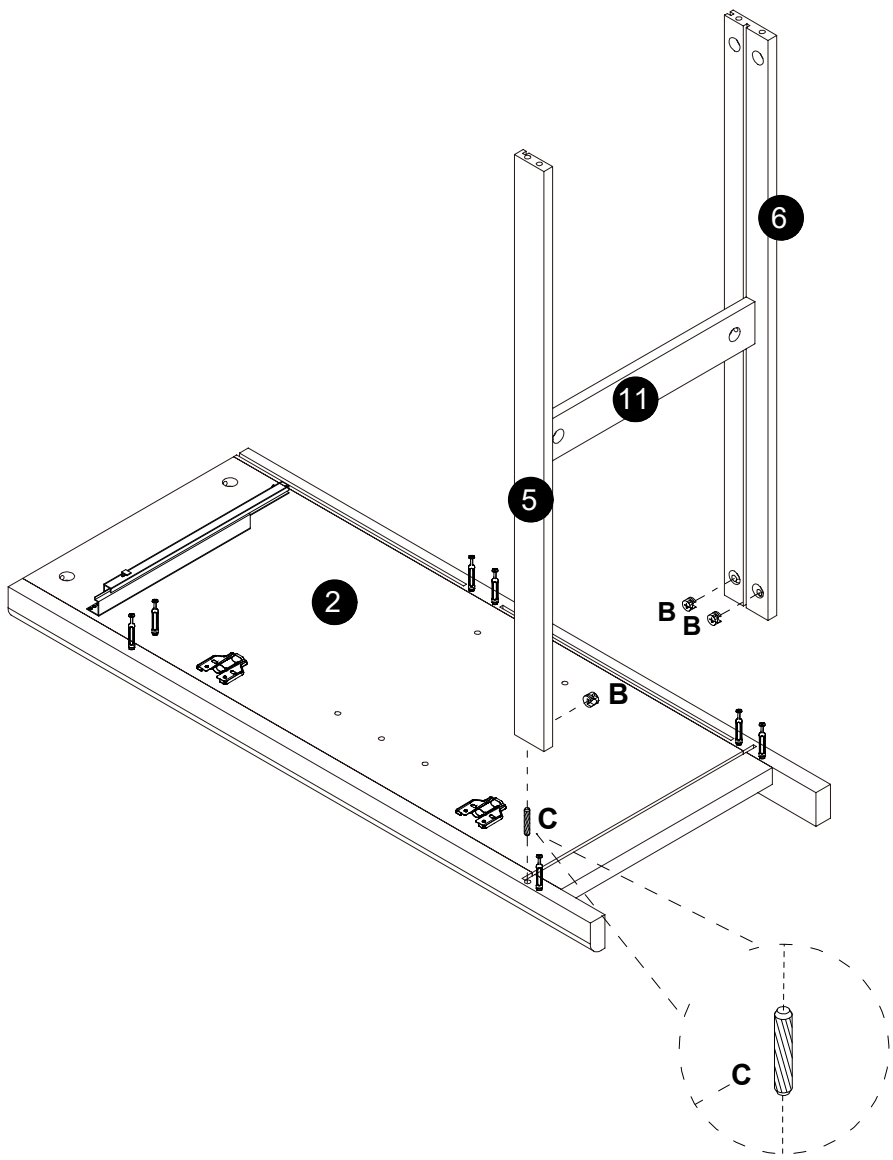
13



14

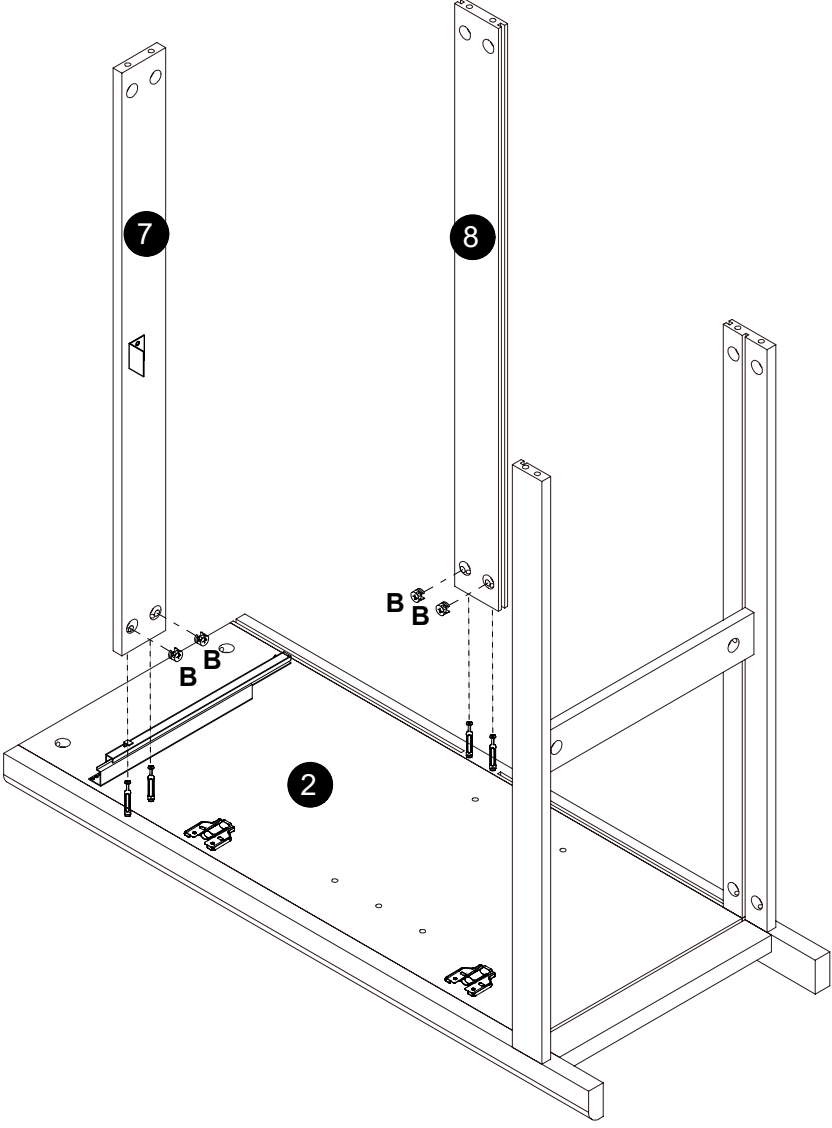
**B**  x3

**C**  Ø6x30mm x1

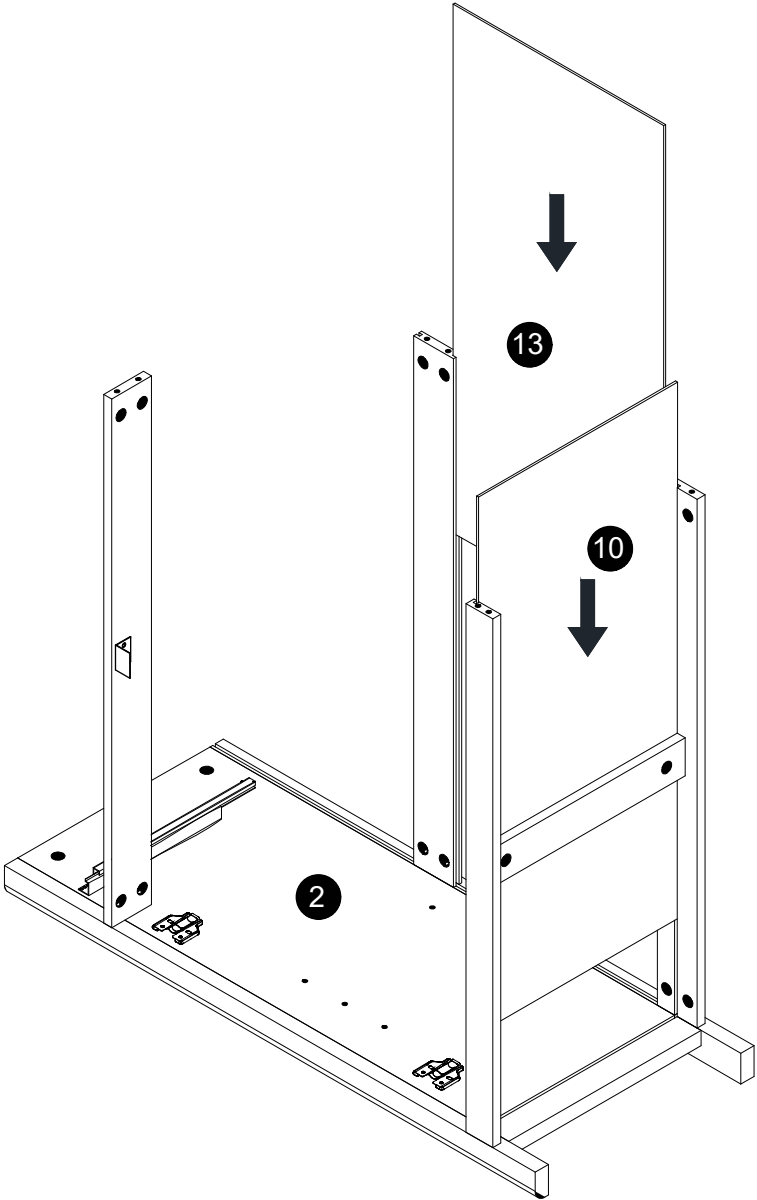


15

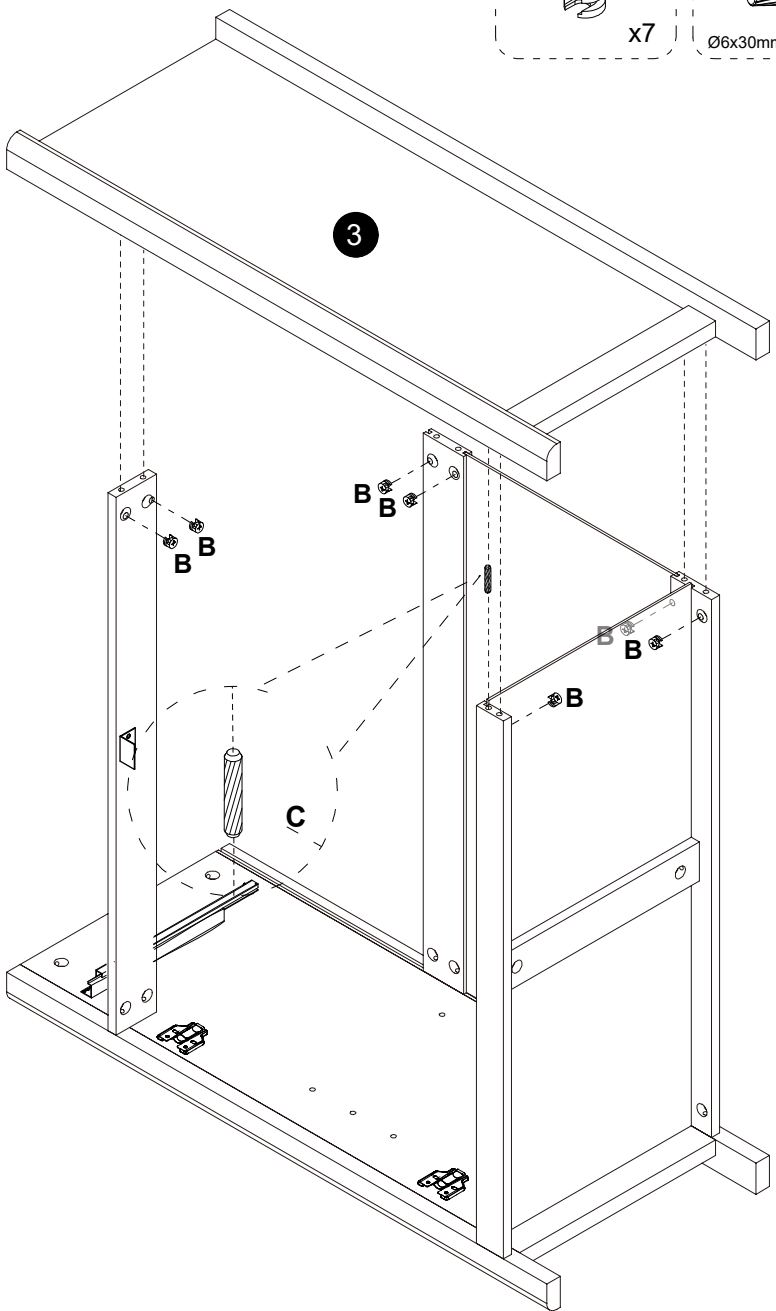
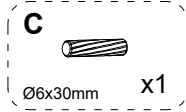
B  x4



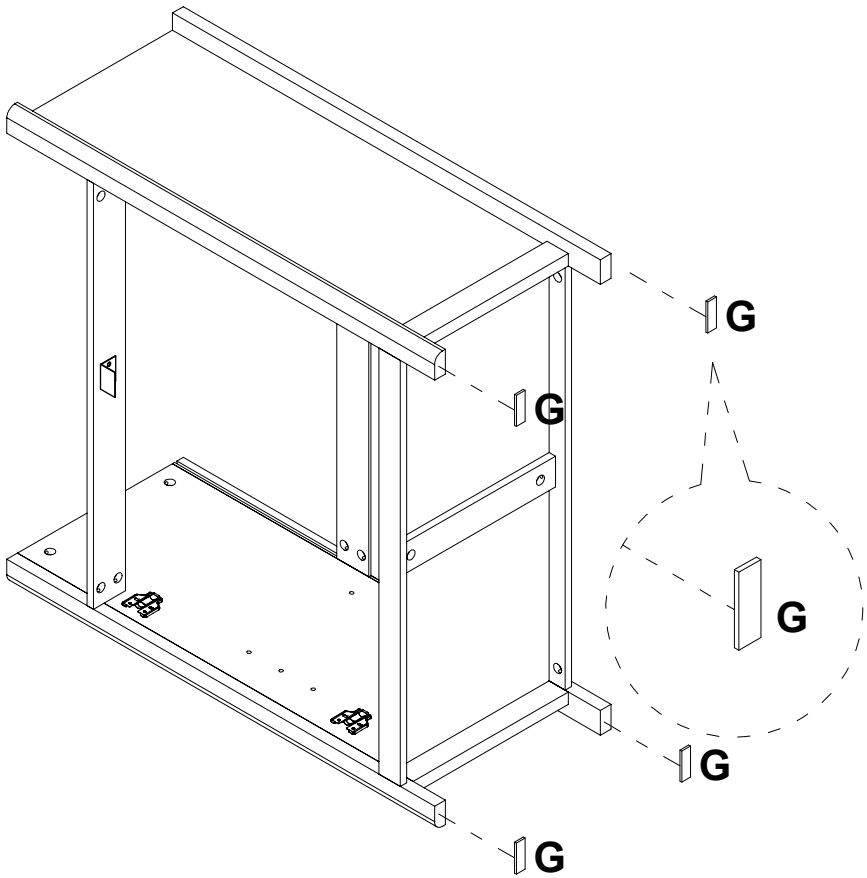
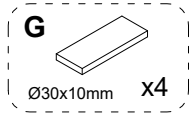
16



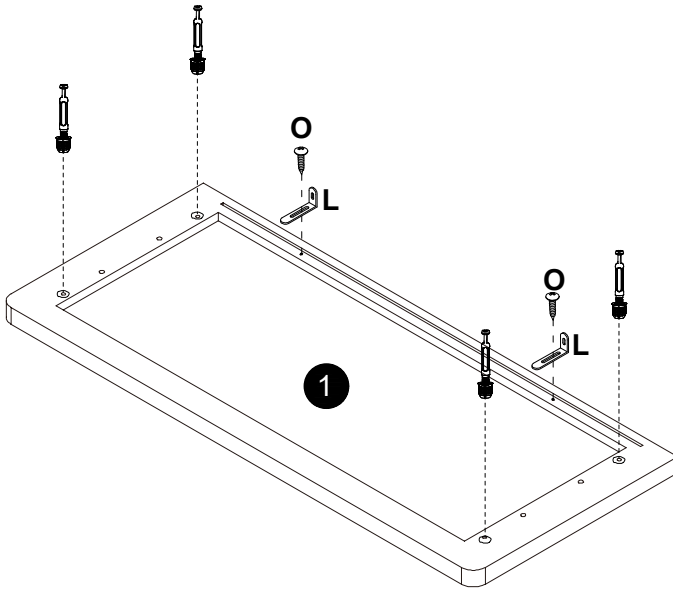
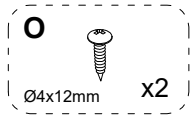
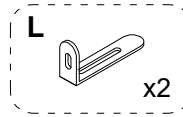
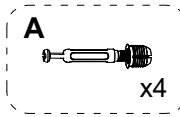
17

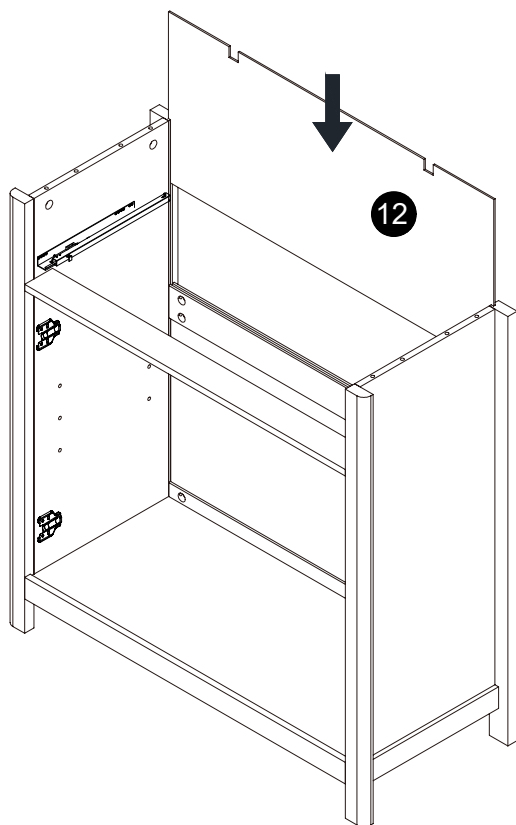


18

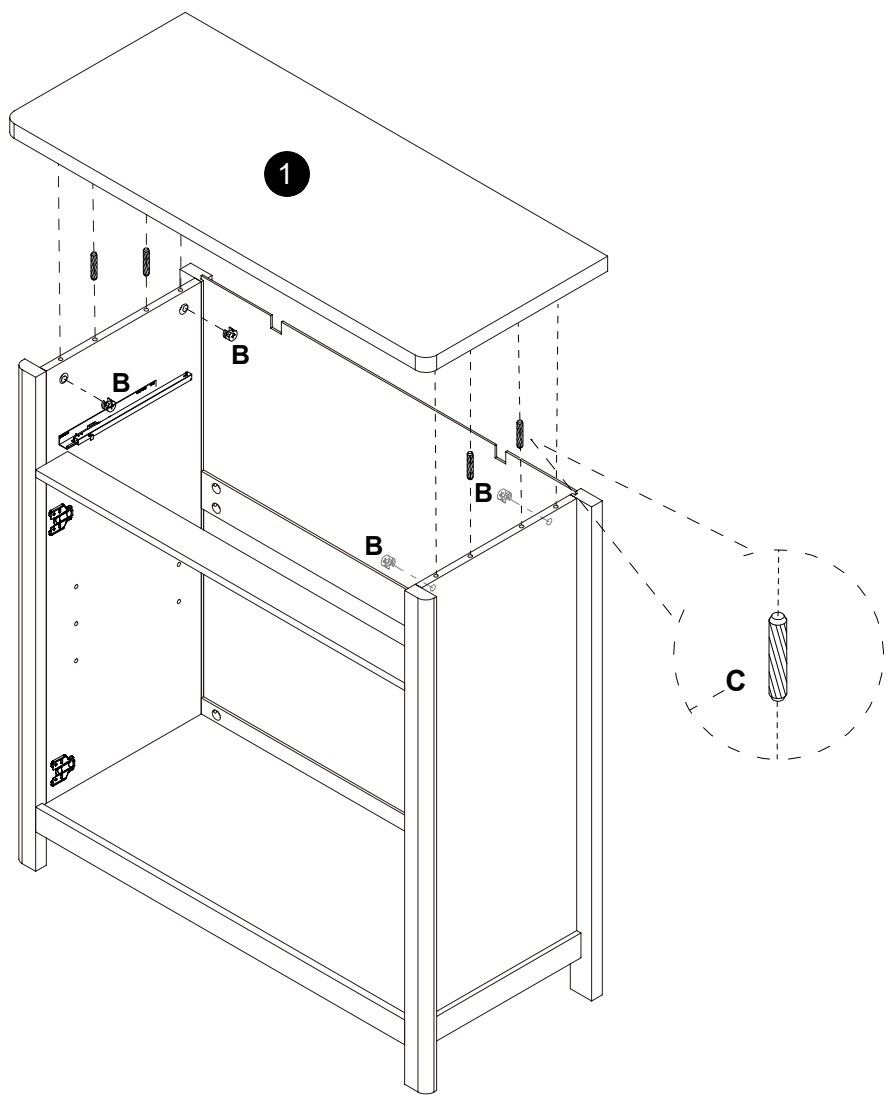
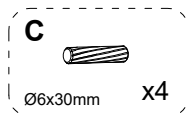
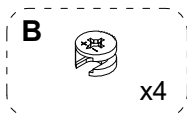


19




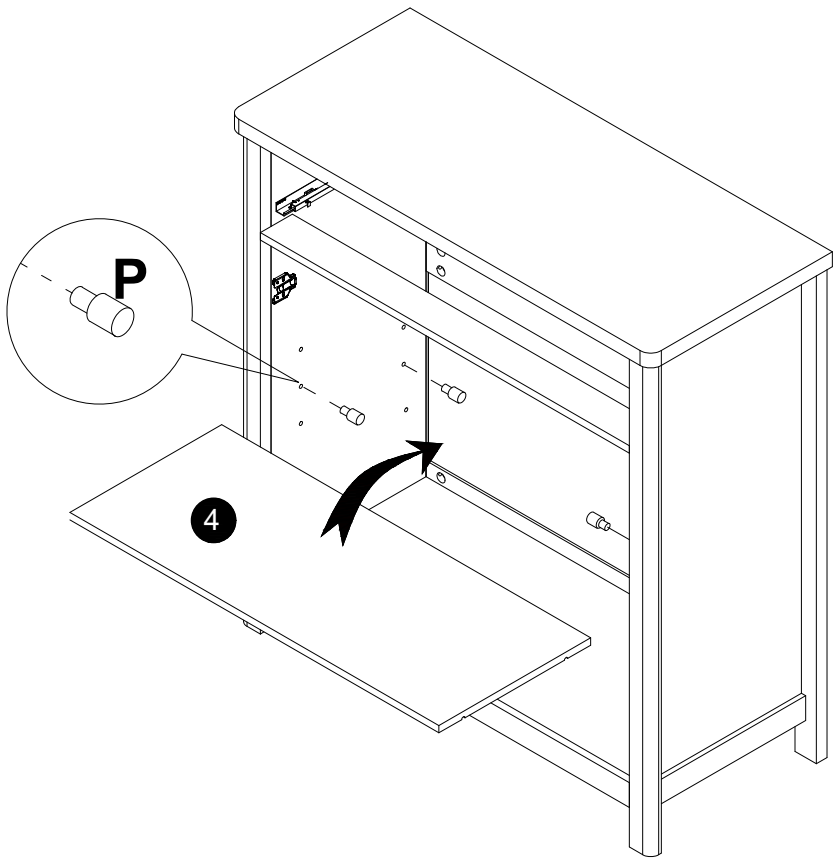


21

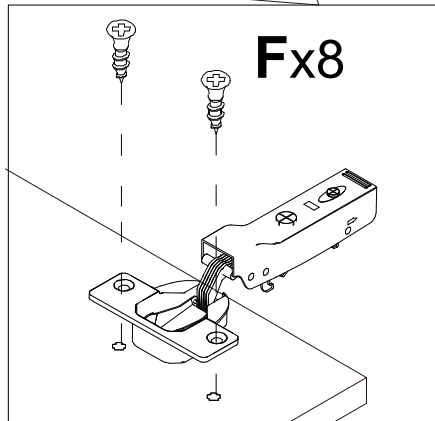
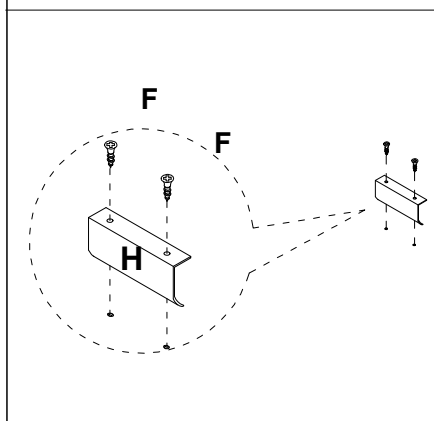
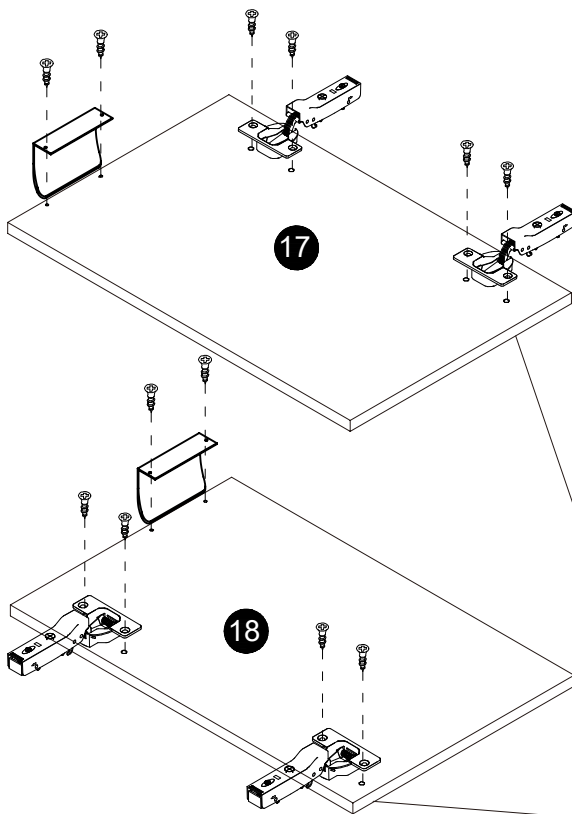
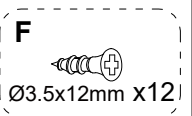
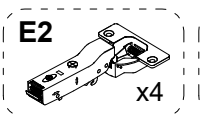
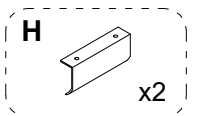


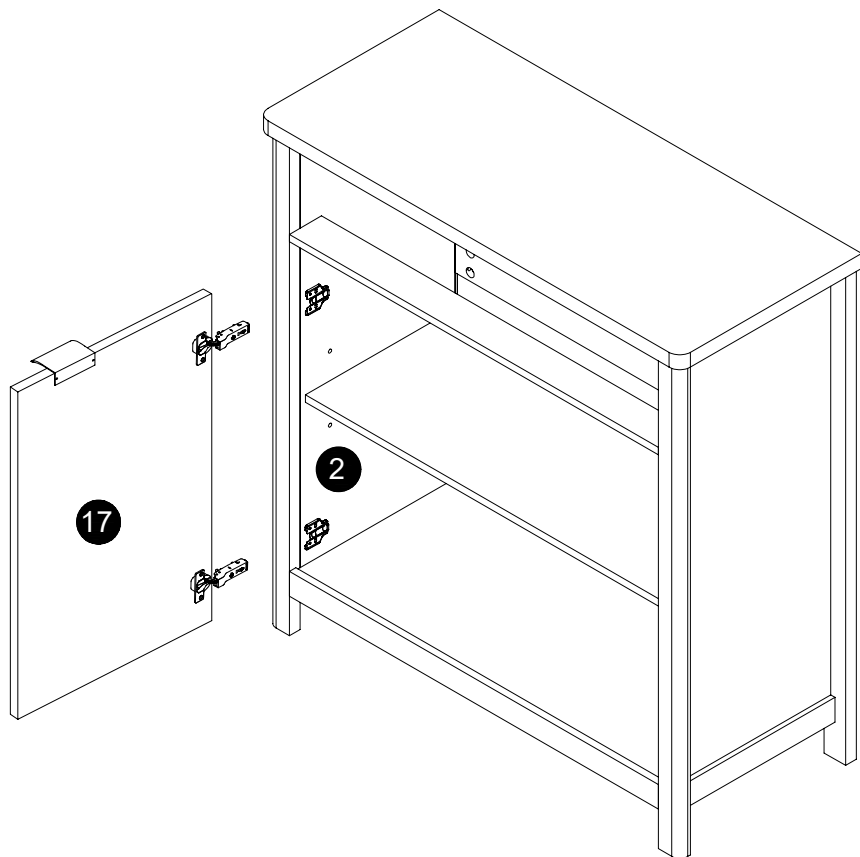
22

**P**  
  
x4



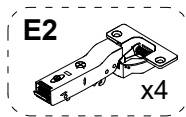
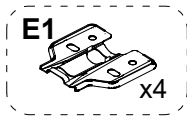
23





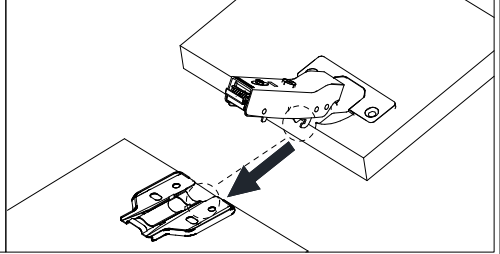
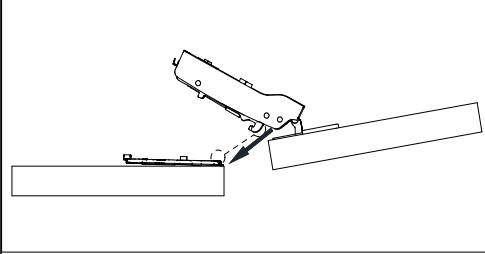
Please carefully check the next page for the installation instructions of the cabinet door.

25

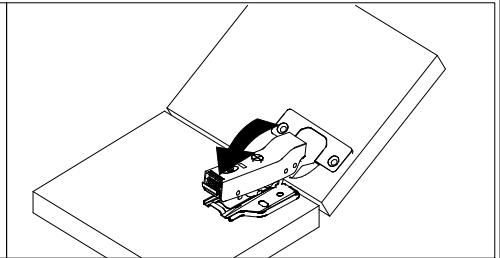
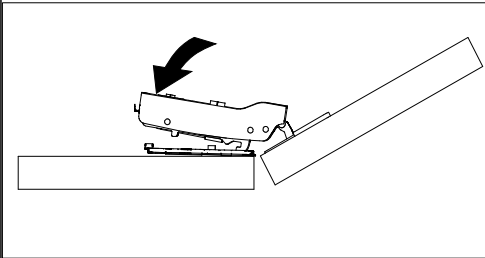


Installation perspective 1

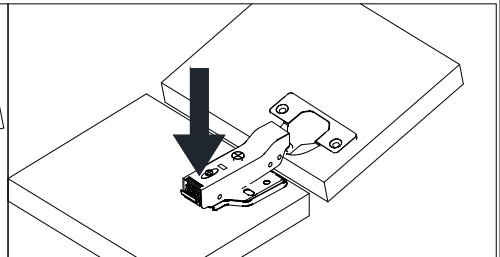
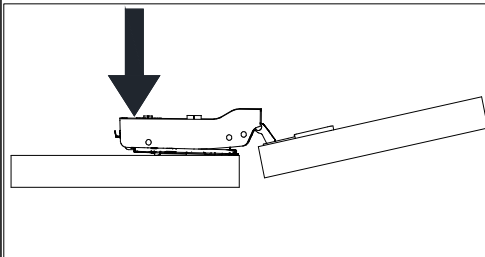
Installation perspective 2



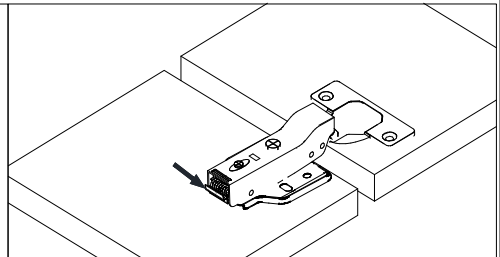
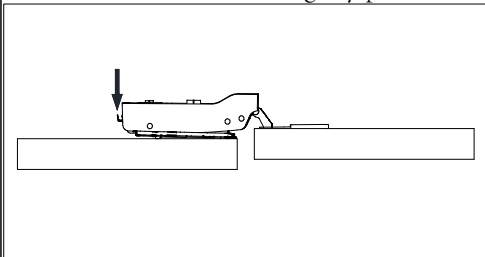
Connect E1 and E2 according to the arrow markers.



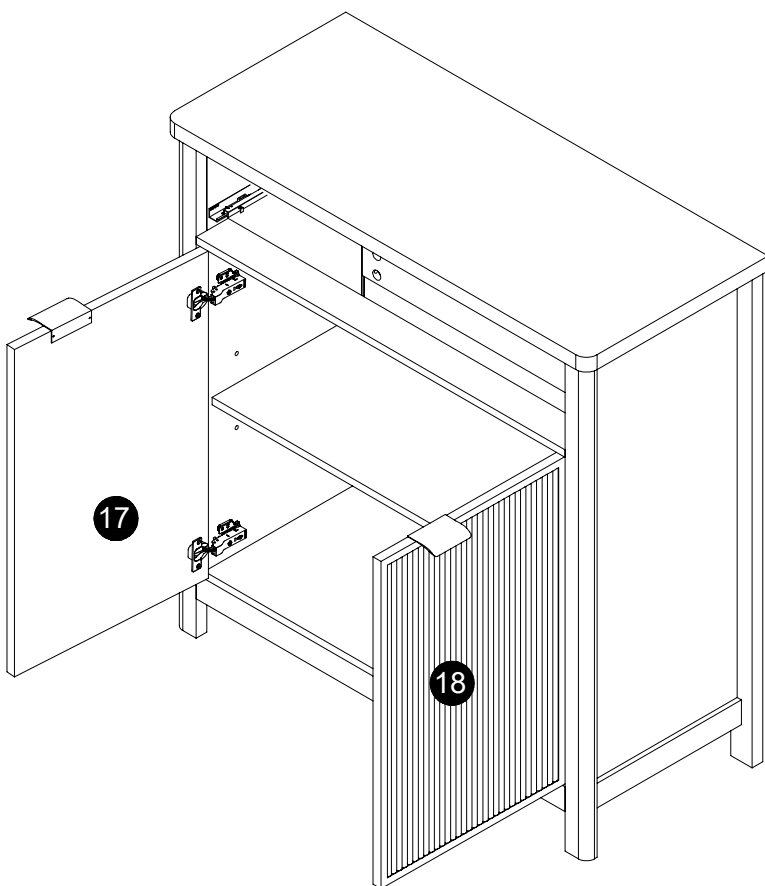
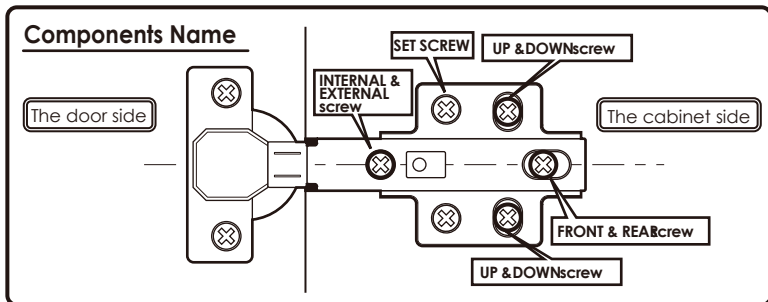
The rear of E2 locks downward.



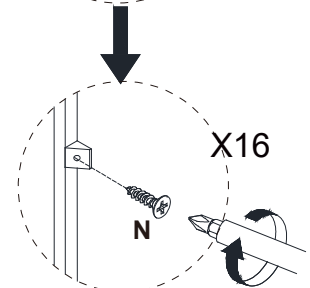
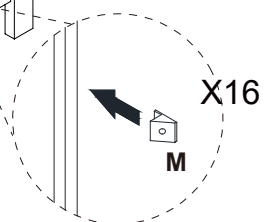
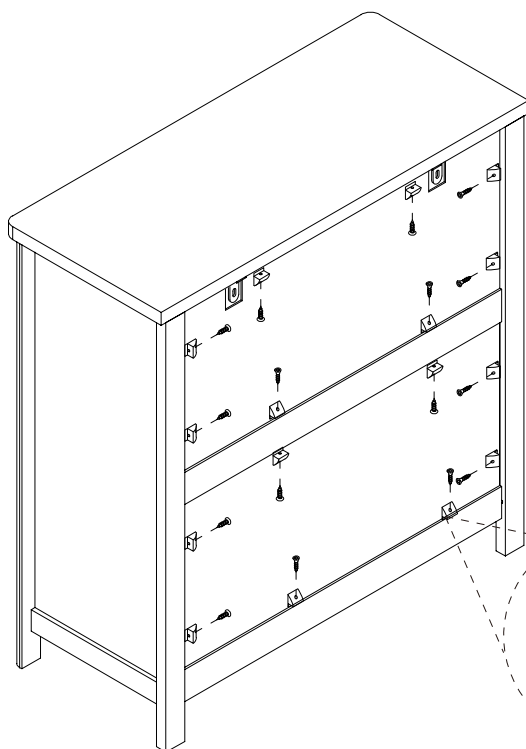
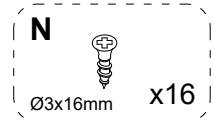
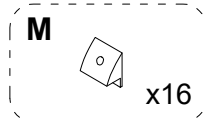
Lightly press E2 to finalize installation.



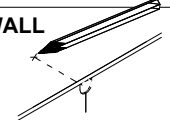

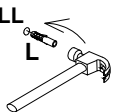
To disassemble E2, press gently where the arrow points.





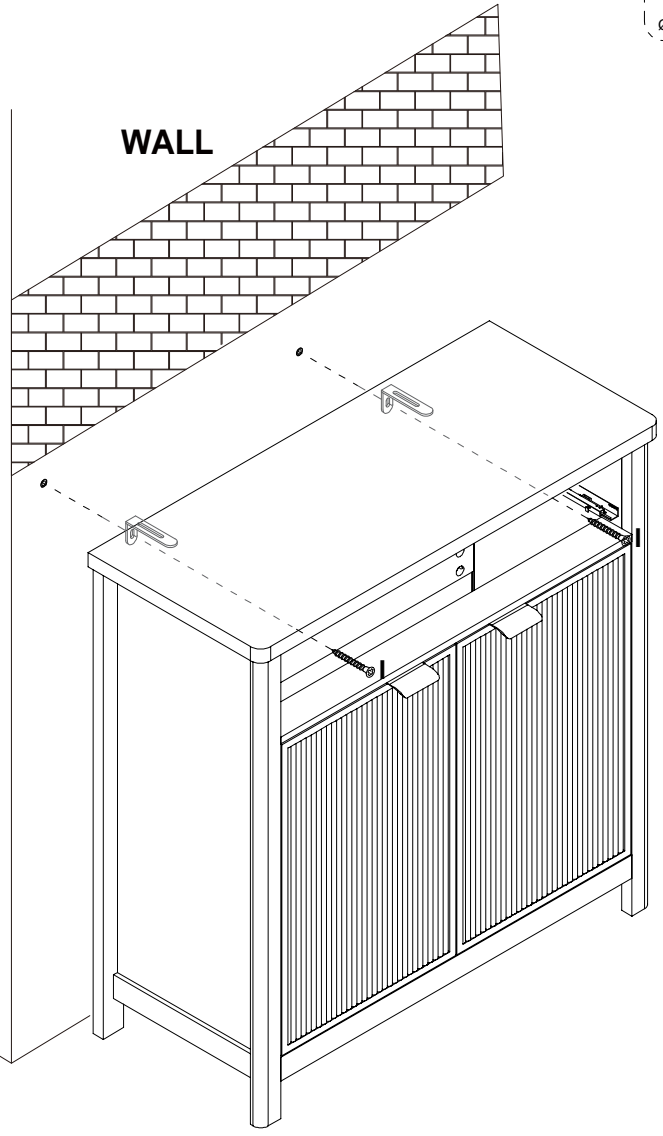
27



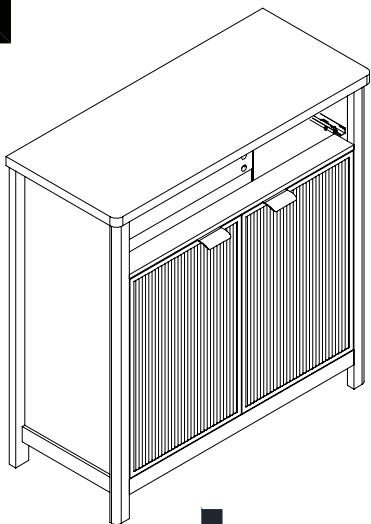
28

<p>WALL</p>  <p>I x1</p>	<p>WALL +</p> <p>drilling hole Ø6x30mm</p>  <p>II x1</p>	<p>WALL</p>  <p>III x1</p>
---	---	---

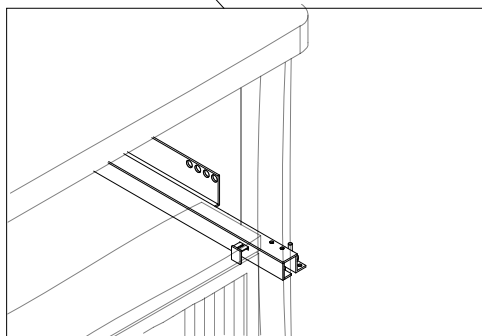
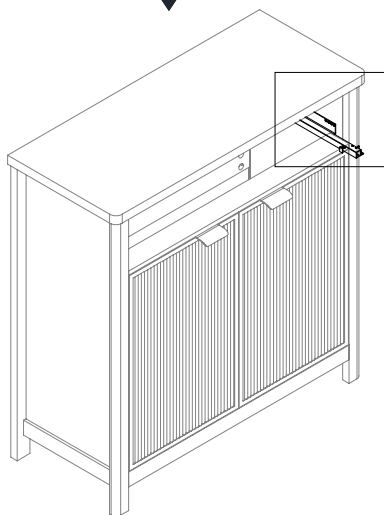
<p>J</p>  <p>Ø6x30mm x2</p>	<p>I</p>  <p>Ø4x40mm x2</p>
--	--



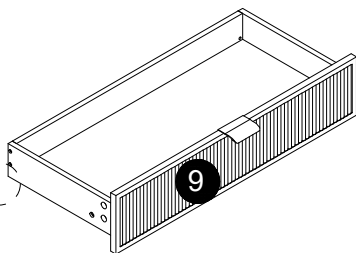
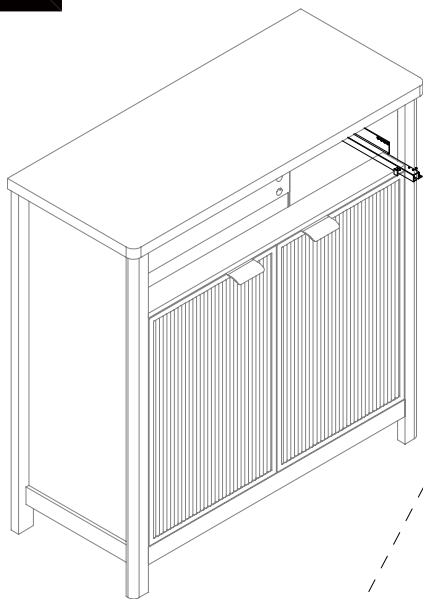
29



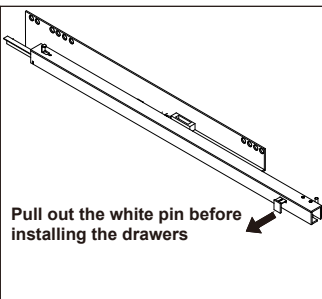
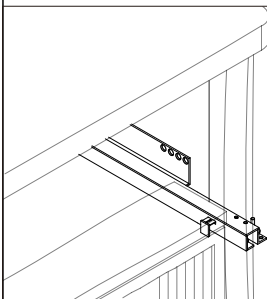
Pull out the slide rail.



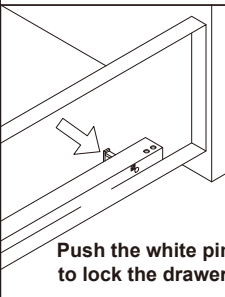
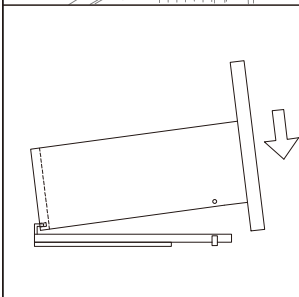
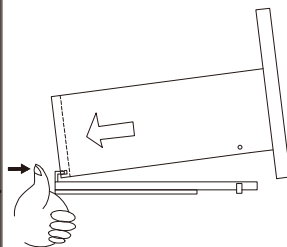
30



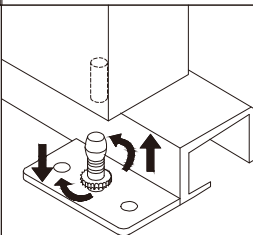
Place diagonally into the drawer



Pull out the white pin before installing the drawers



Push the white pin to lock the drawer



Adjust the drawers up and down