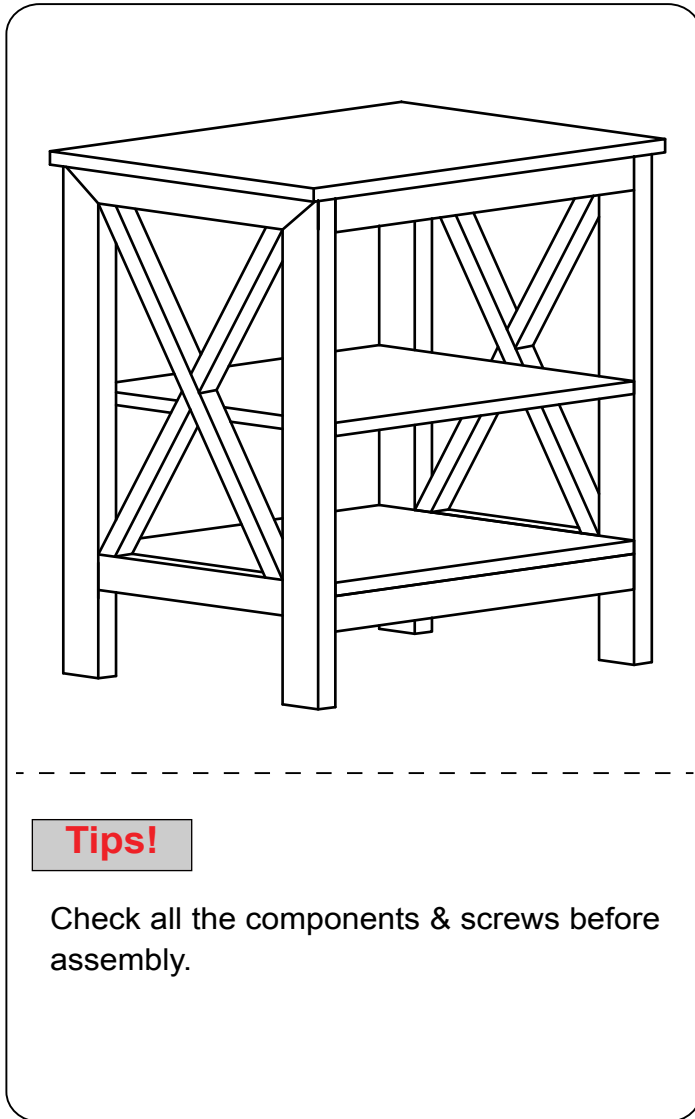
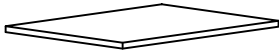
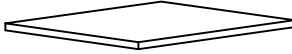


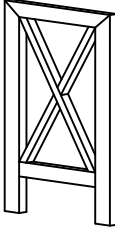



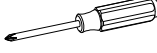


# Instruction Manual

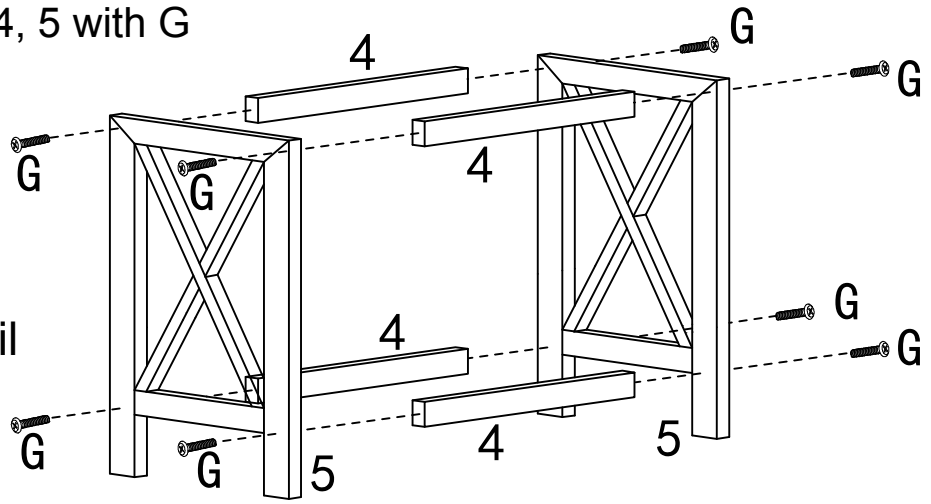


1		1
2		1
3		1
4		4
5		2
B	 M5x50mm	4
G	 M6x35mm	8
I	 M6x50mm	8
T		1

**1** Assemble part 4, 5 with G

**Tips:**

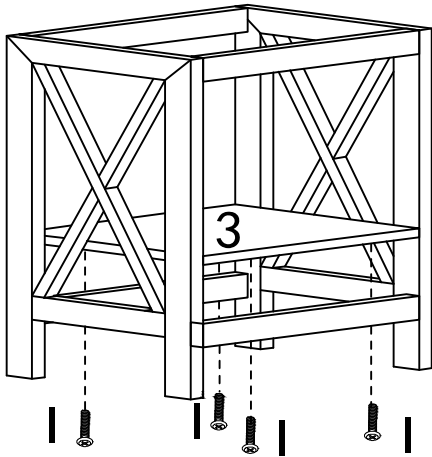
To easily install,  
do not tighten all  
the screws up until  
the last step.



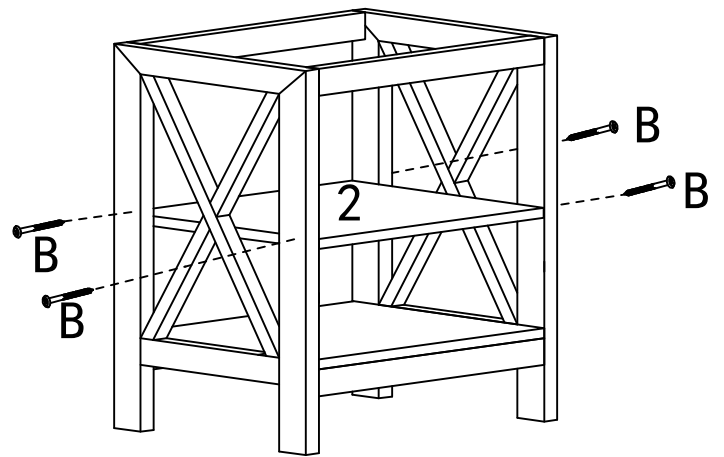
**2** Assemble part 3 with I

**Tips:**

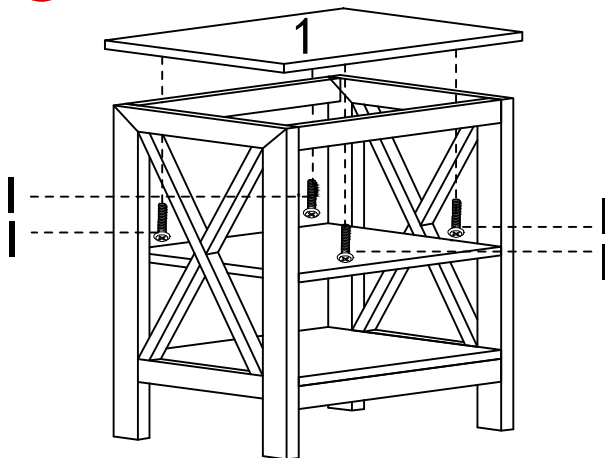
Part 3 is  
bottom board



**3** Assemble part 2 with B



**4** Assemble part 1 with I



**5** Check and tighten all screws

