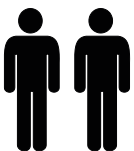


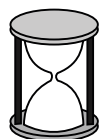
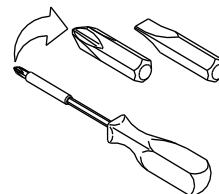
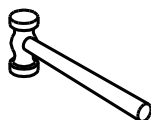
6 DRAWER CHEST OF DRAWERS
6 DRAWER CHEST OF DRAWERS



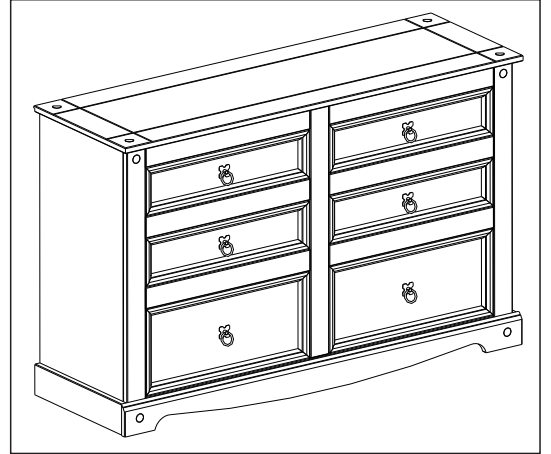
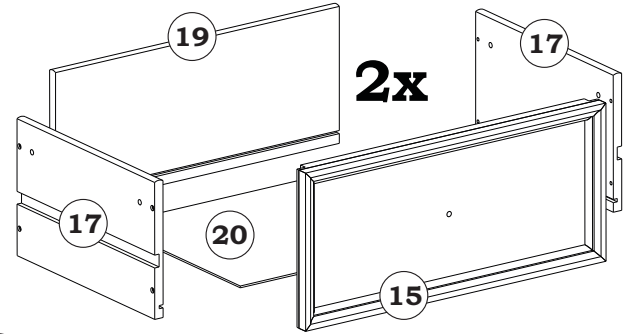
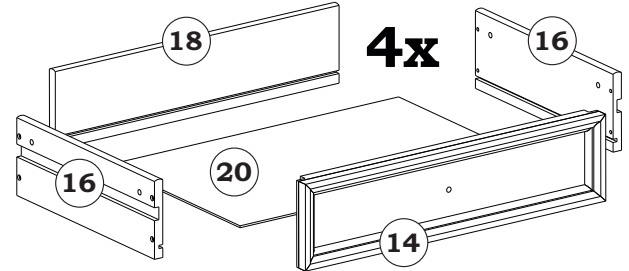
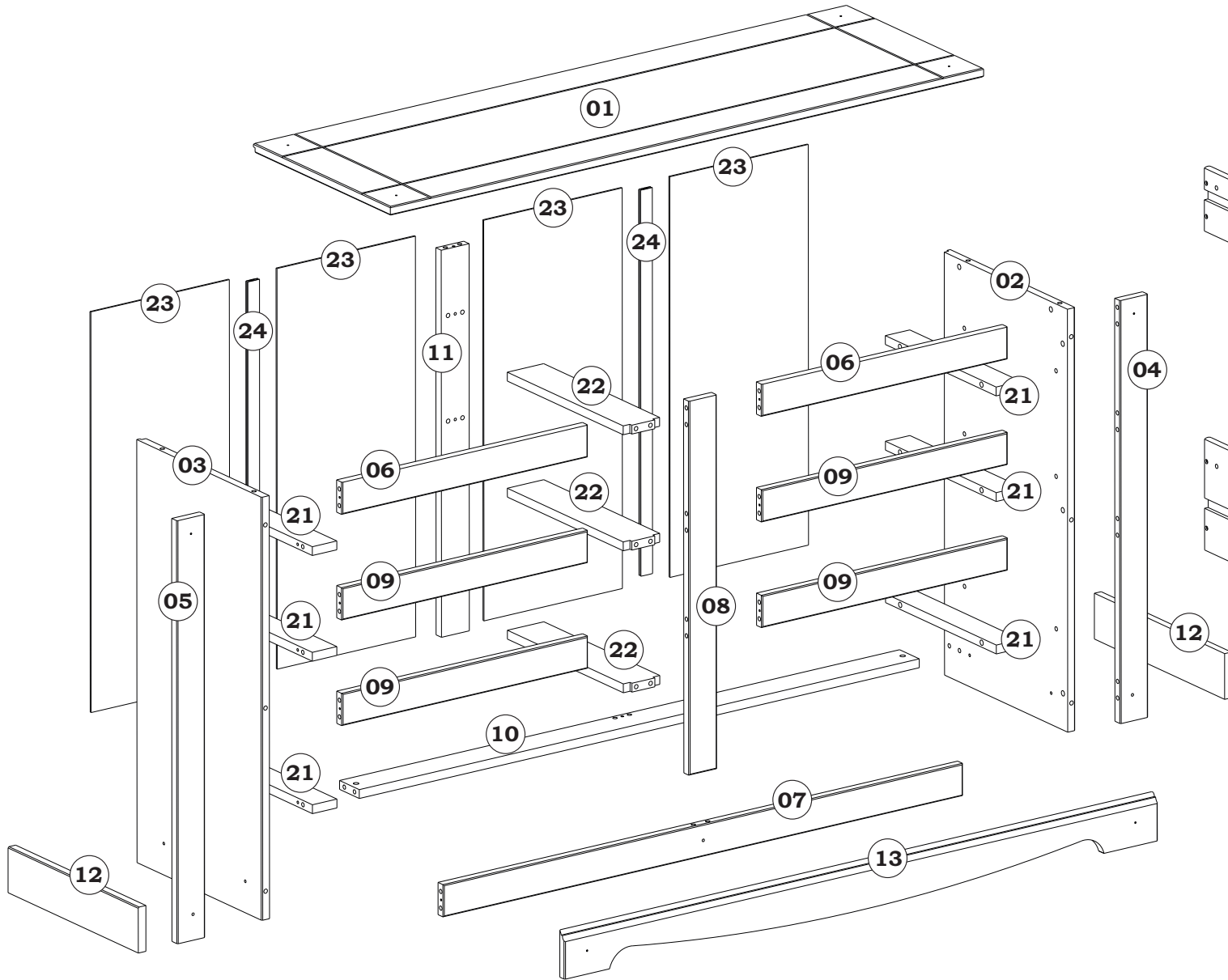
Width = 1320mm
Depth = 430mm
Height = 830mm




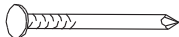
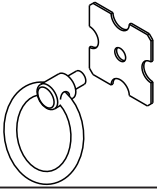
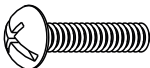
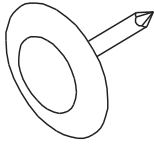


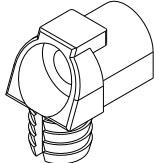


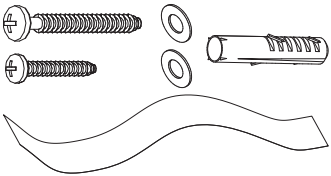
3m x 3m



1:20h



A	 Ø8,0x30mm	84
B	 Ø3,5x30mm	71
C	 Ø4,0x40mm	12
D	 8x8	56
E		06
F	 3/16"x5/8"	06
G		08
H	 Ø4,0x40mm	04
I	 Ø4,0x25mm	17
J		17

Y		01
----------	---	-----------

01

A



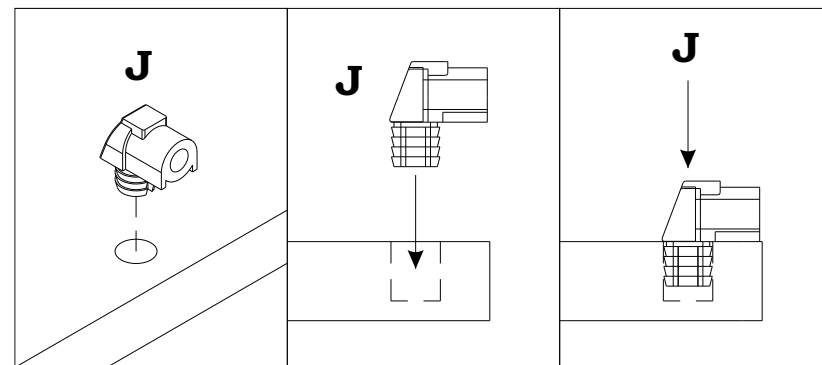
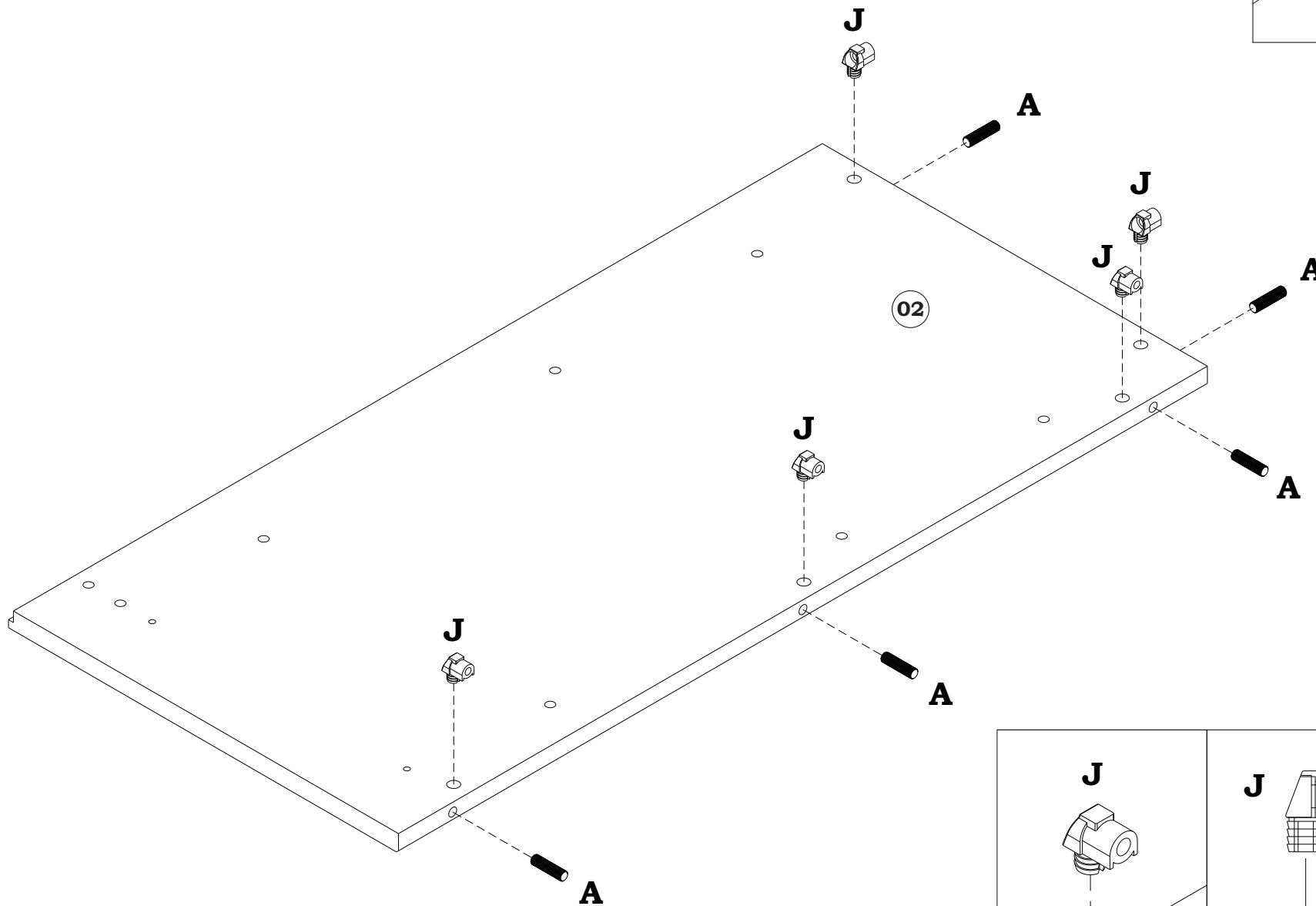
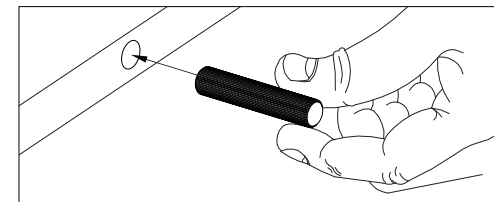
Ø8,0x30mm

05x

J



05x



02

A



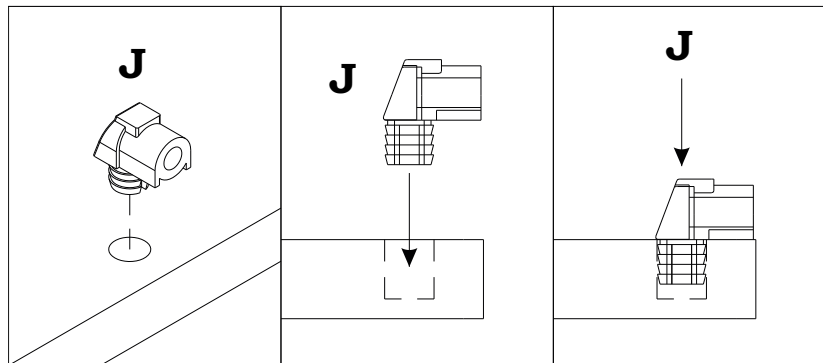
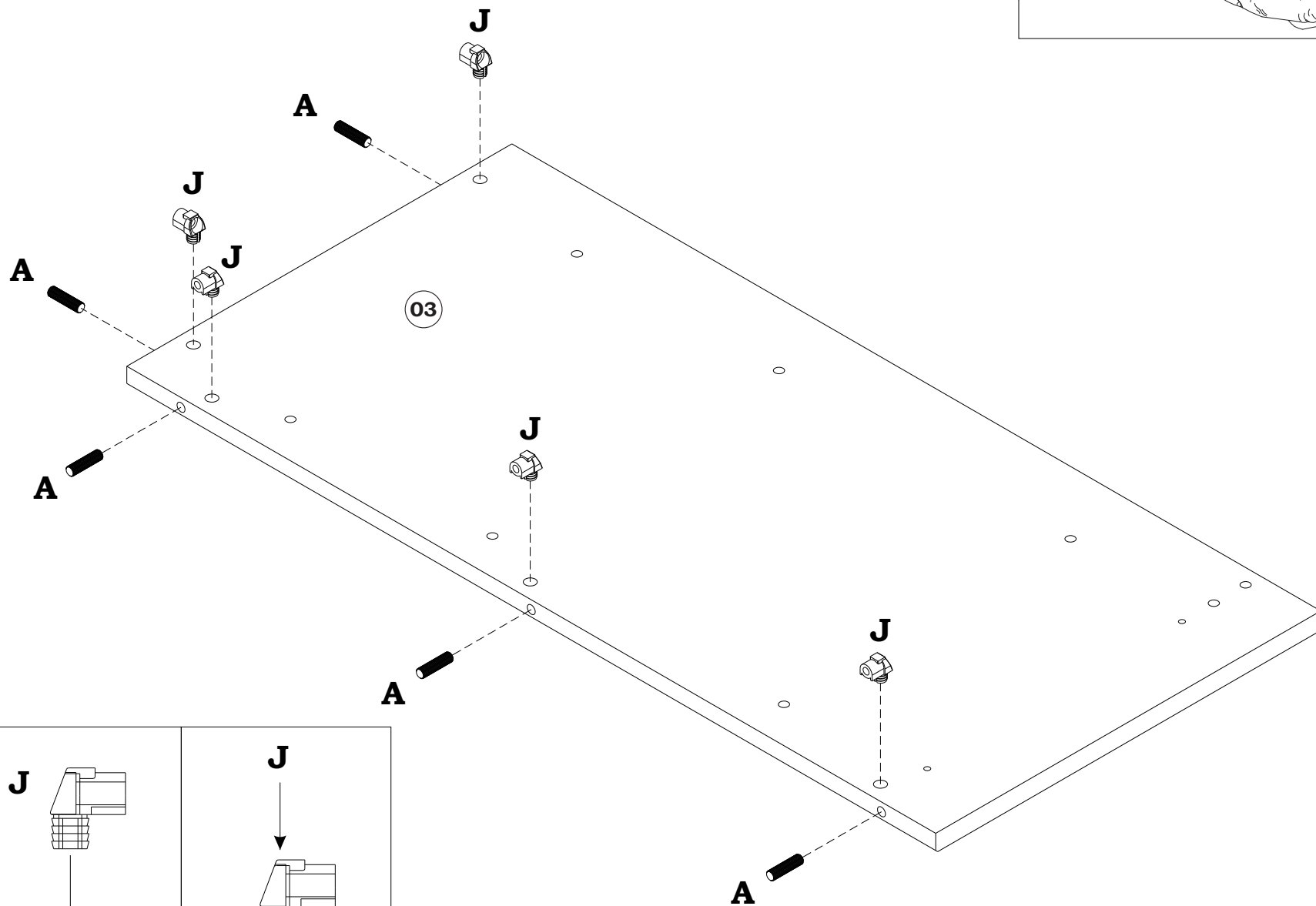
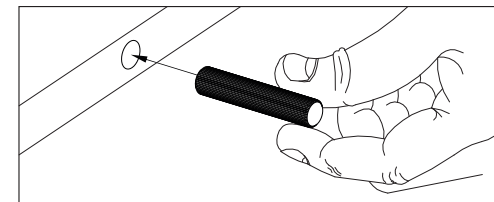
05x

Ø8,0x30mm


J

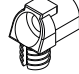


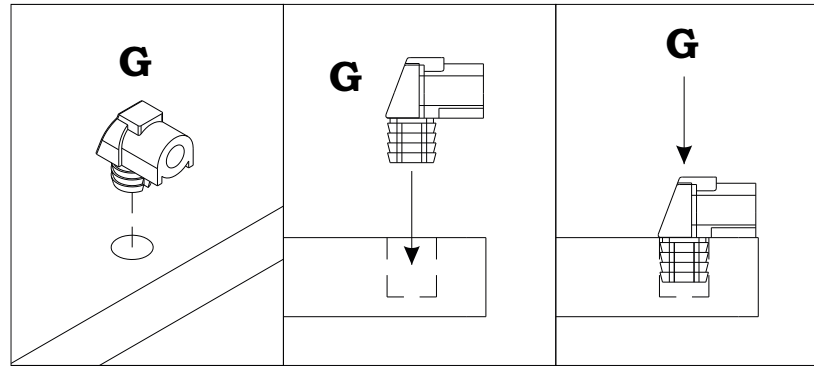
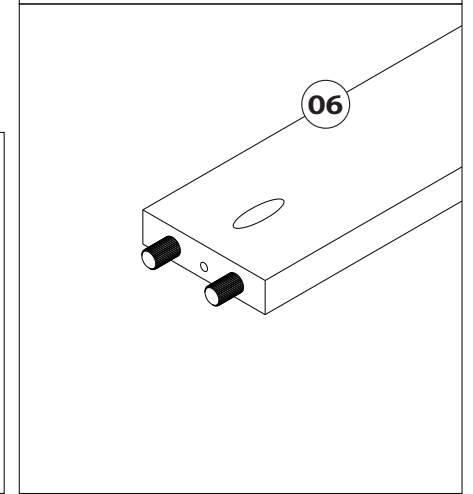
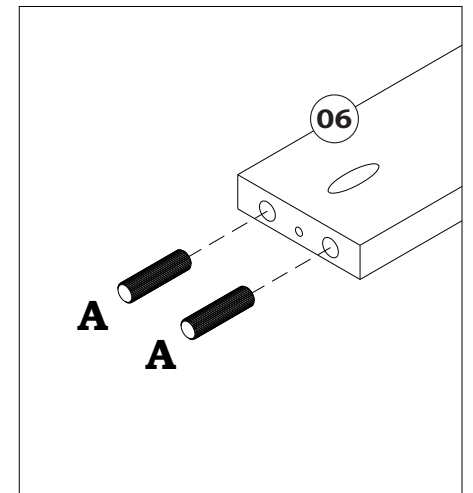
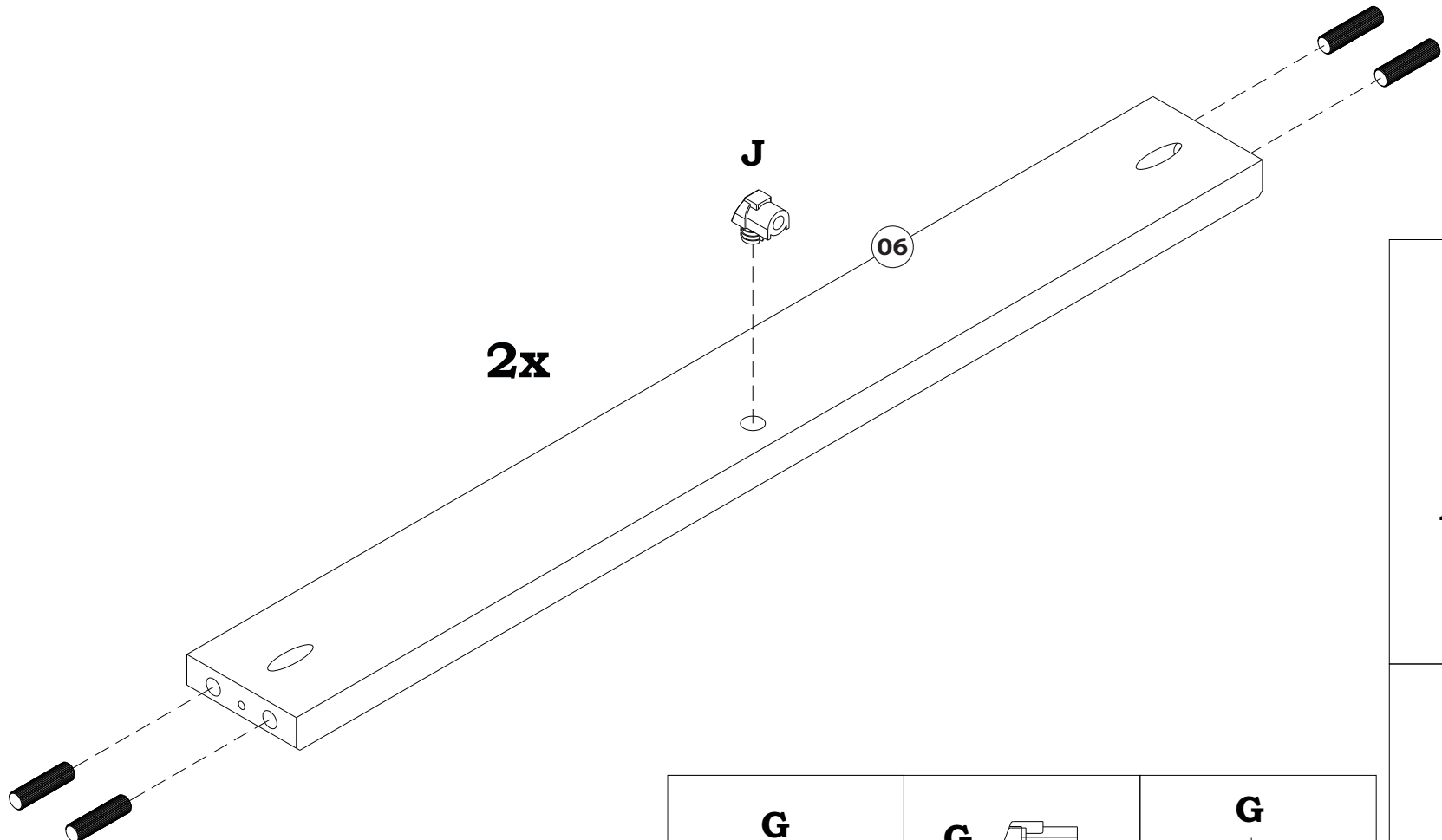
05x



03

A  **08x**
Ø8,0x30mm

J  **02x**



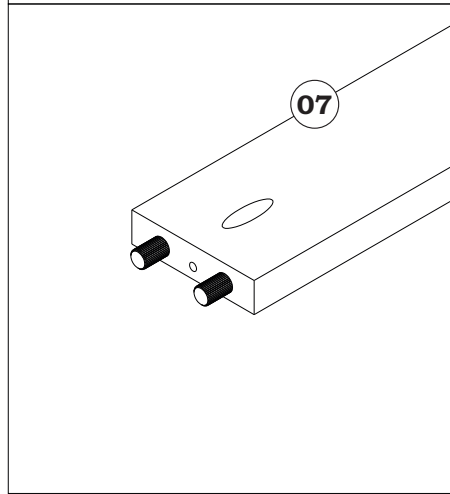
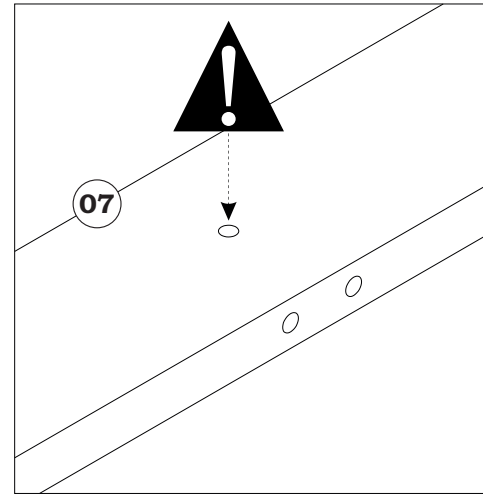
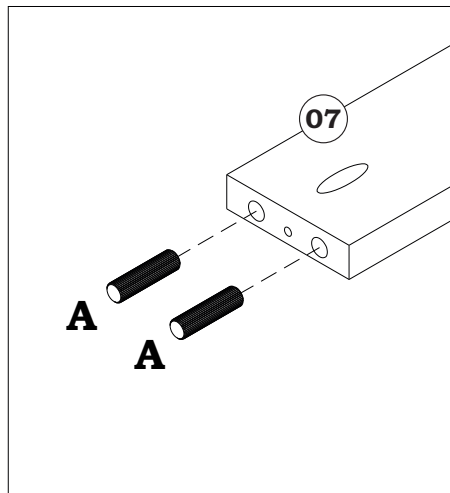
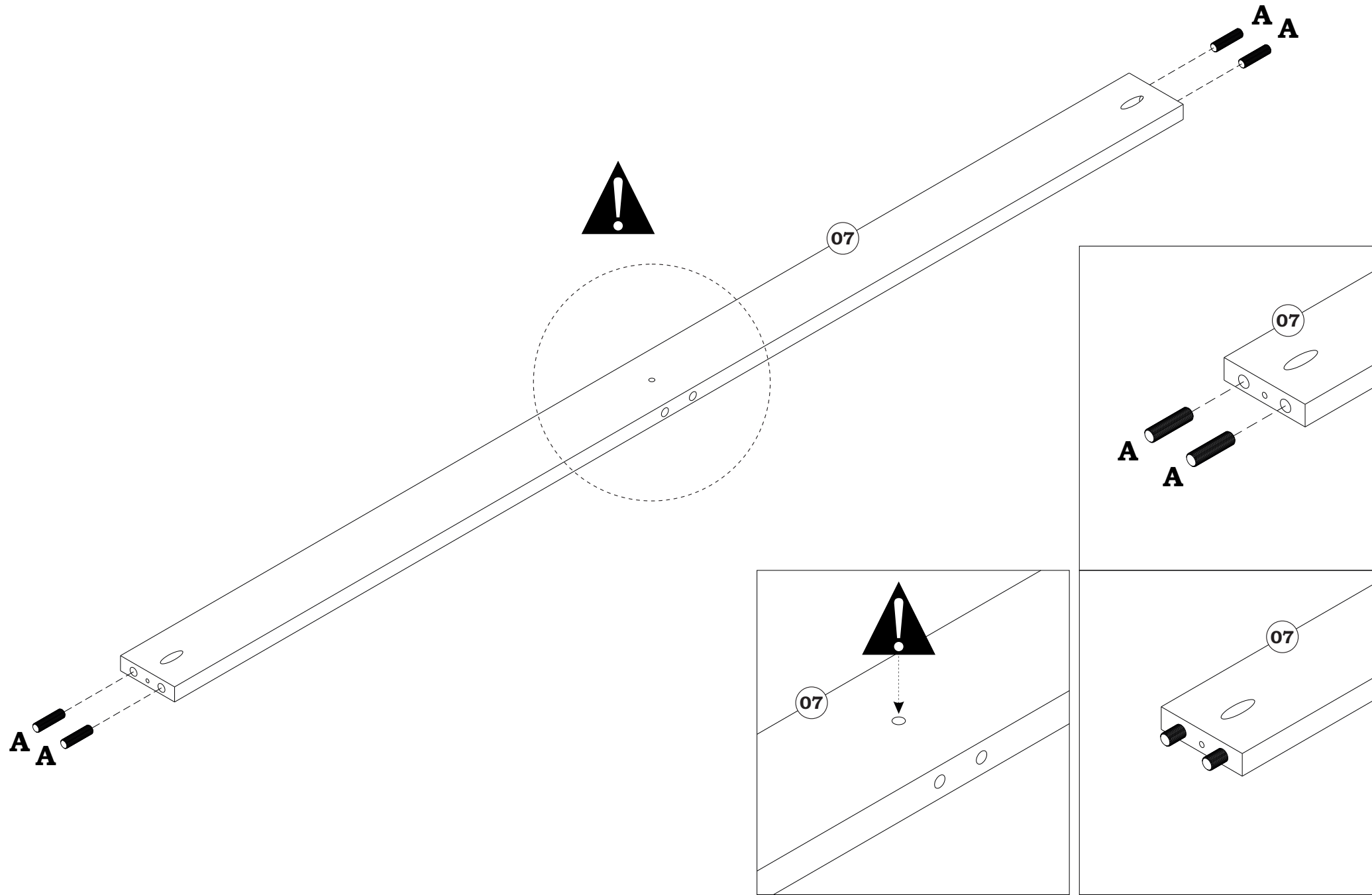
04

A



04x

Ø8,0x30mm



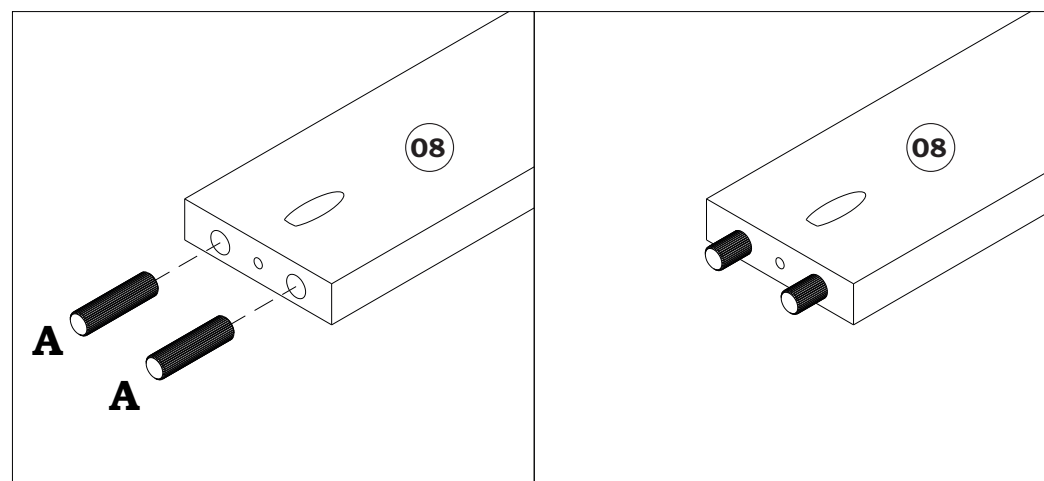
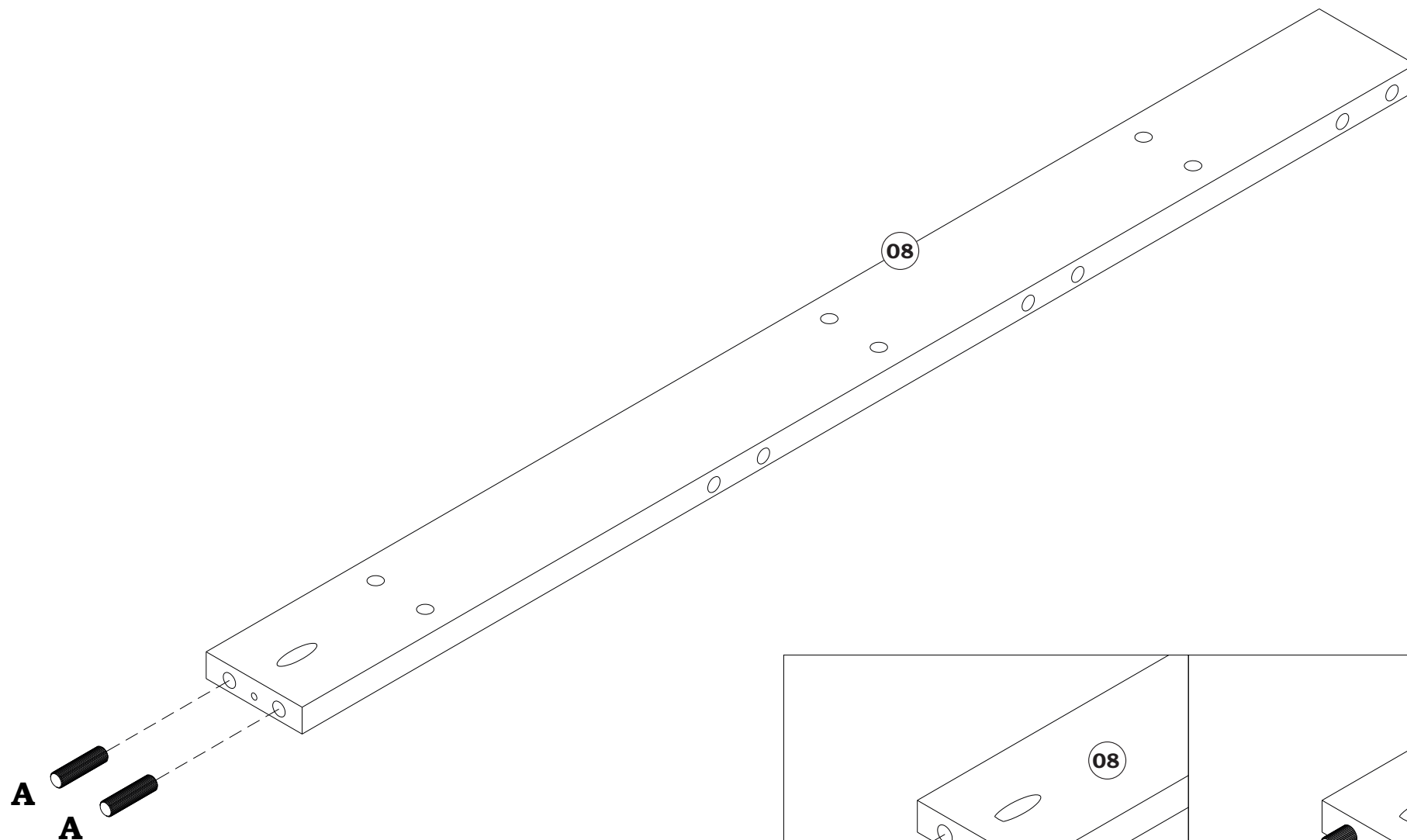
05

A



02x

Ø8,0x30mm



06

A



16x

Ø8,0x30mm

4x

09

A

A

A

A

09

09

A

A

07

A



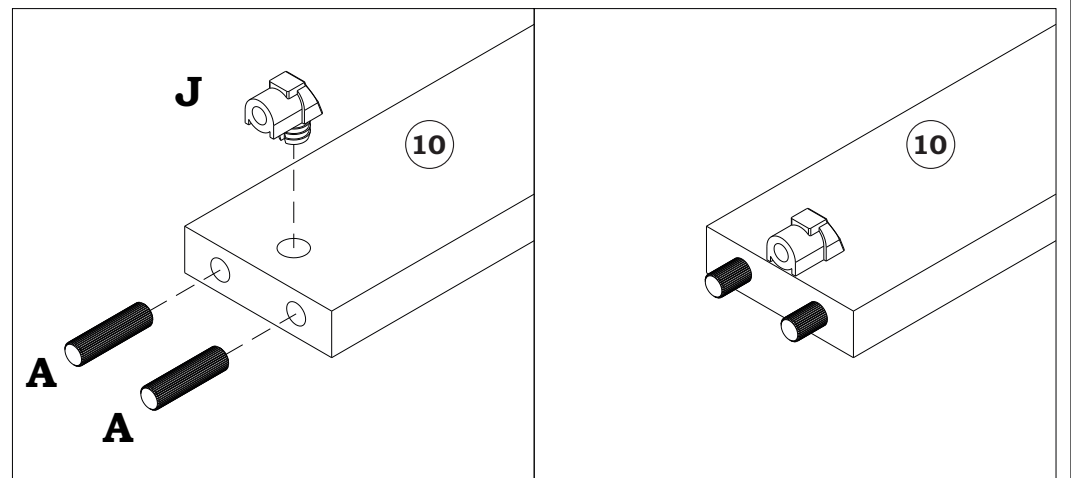
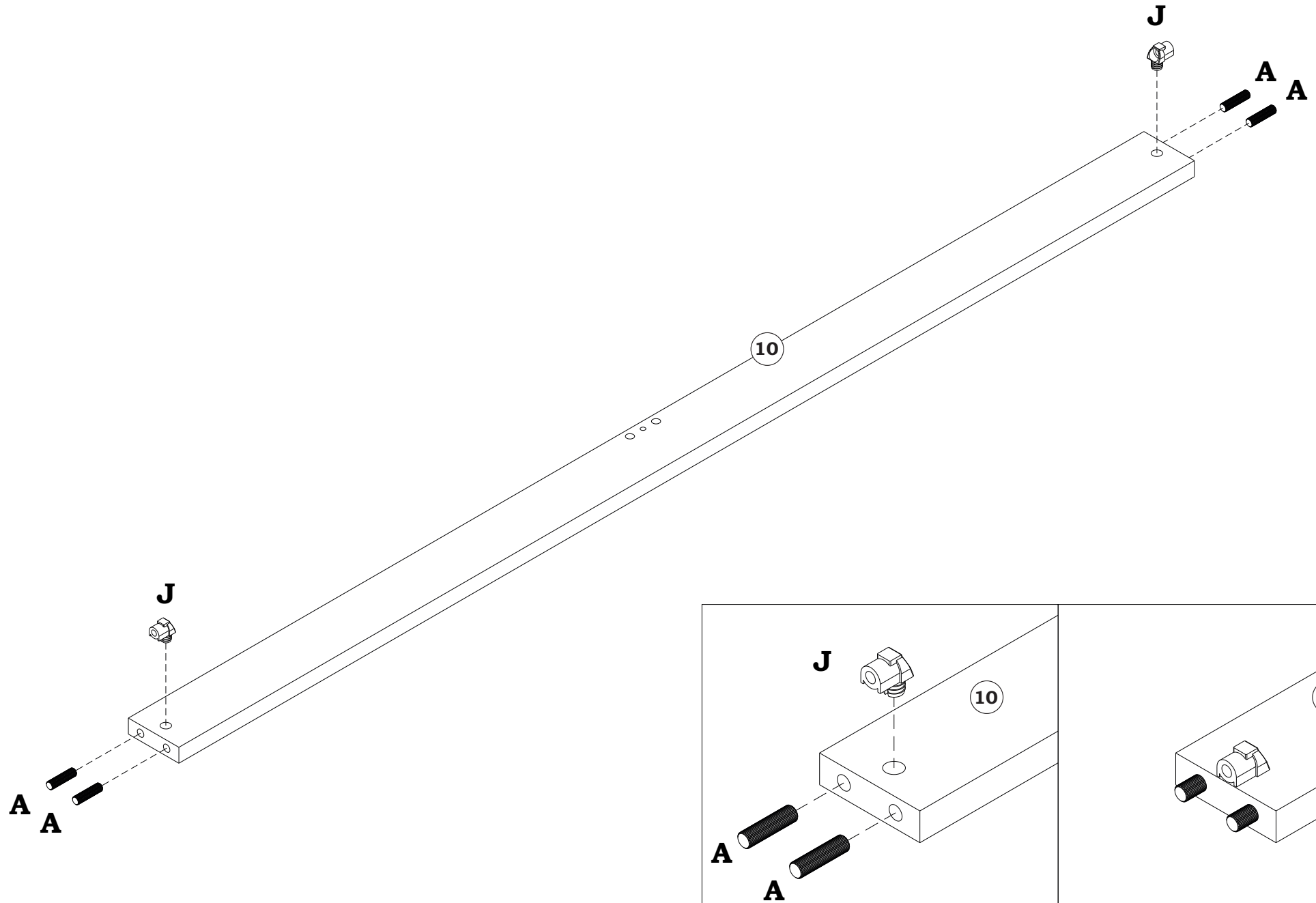
04x

Ø8,0x30mm

J



02x



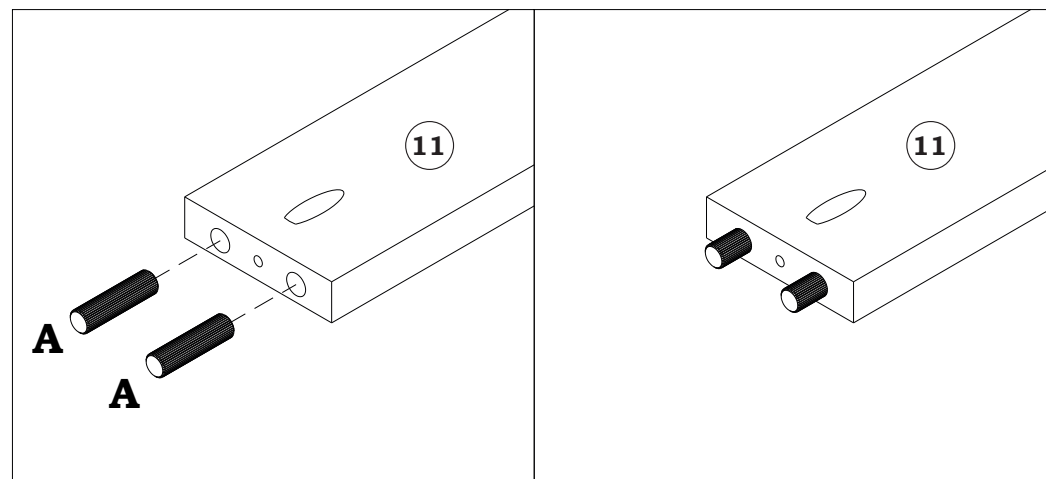
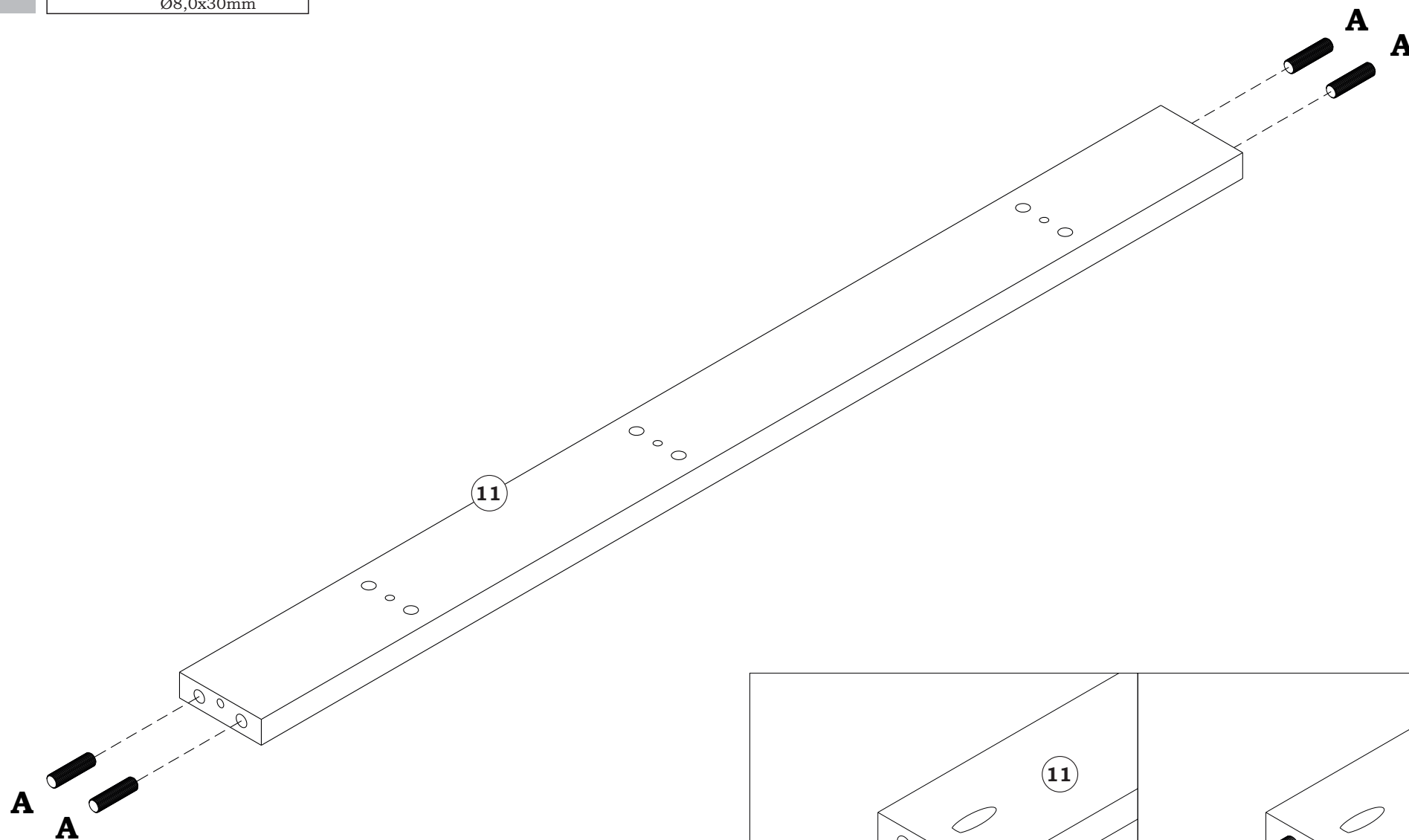
08

A



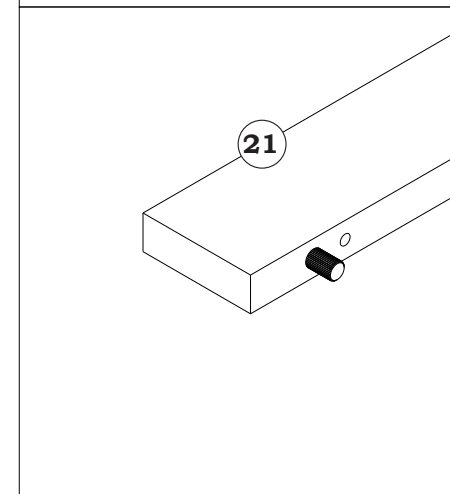
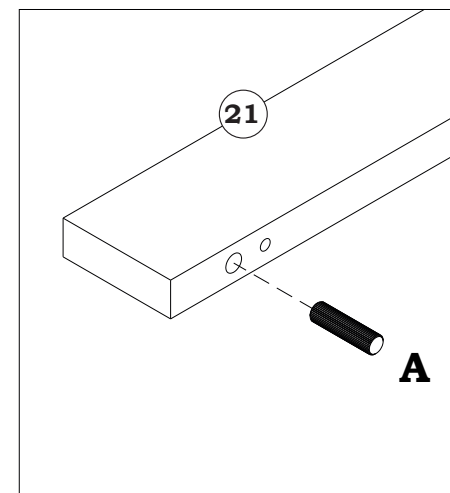
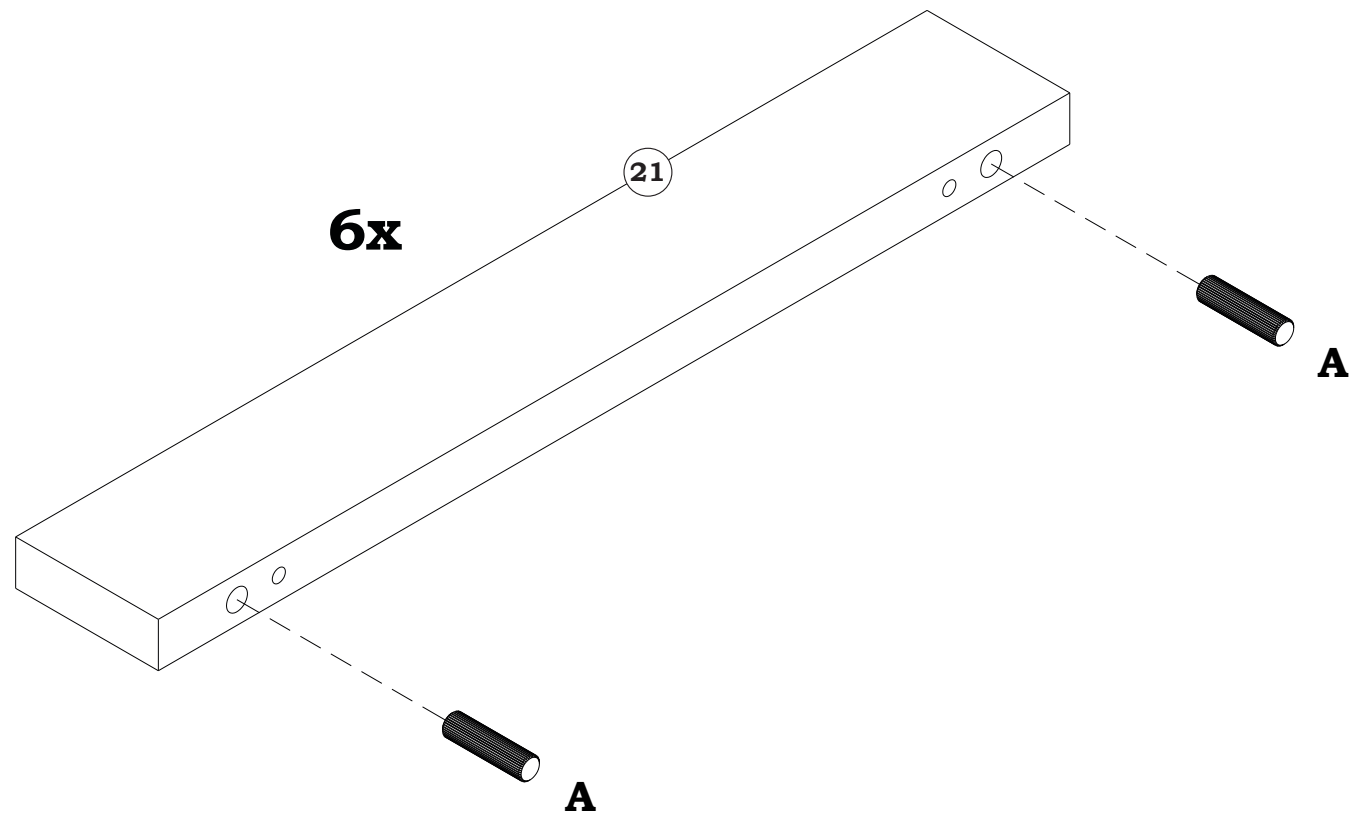
04x

Ø8,0x30mm



09

A  12x
Ø8,0x30mm



10

A



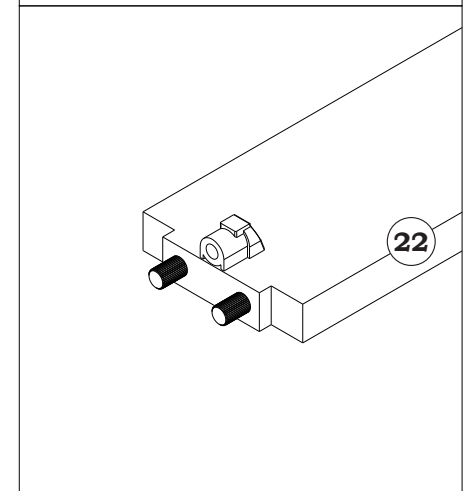
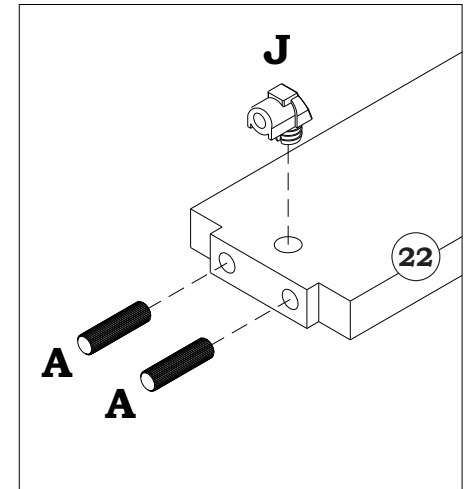
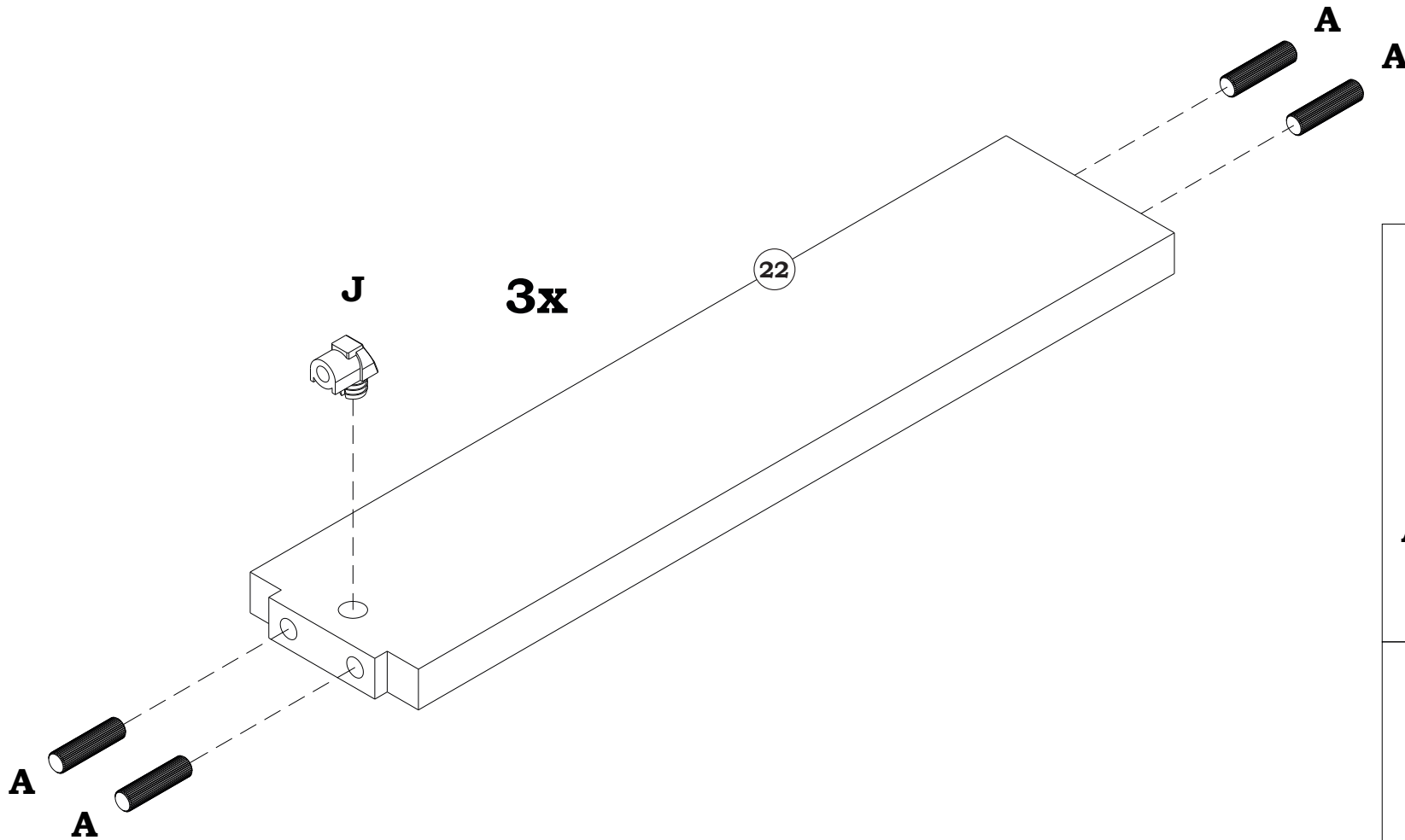
12x

Ø8,0x30mm

J



03x



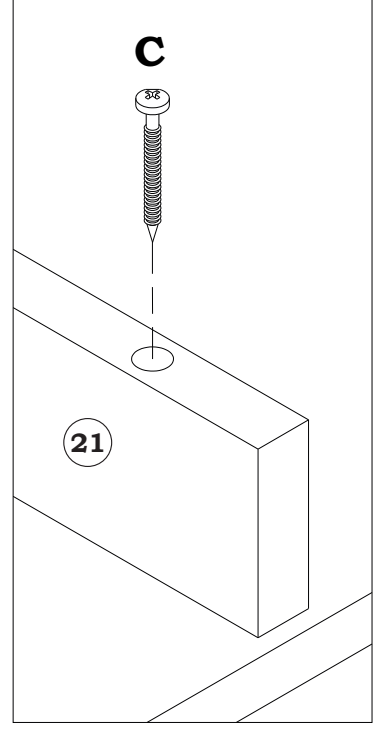
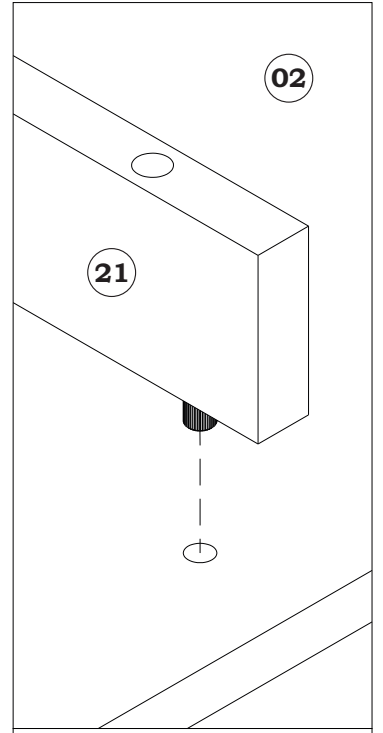
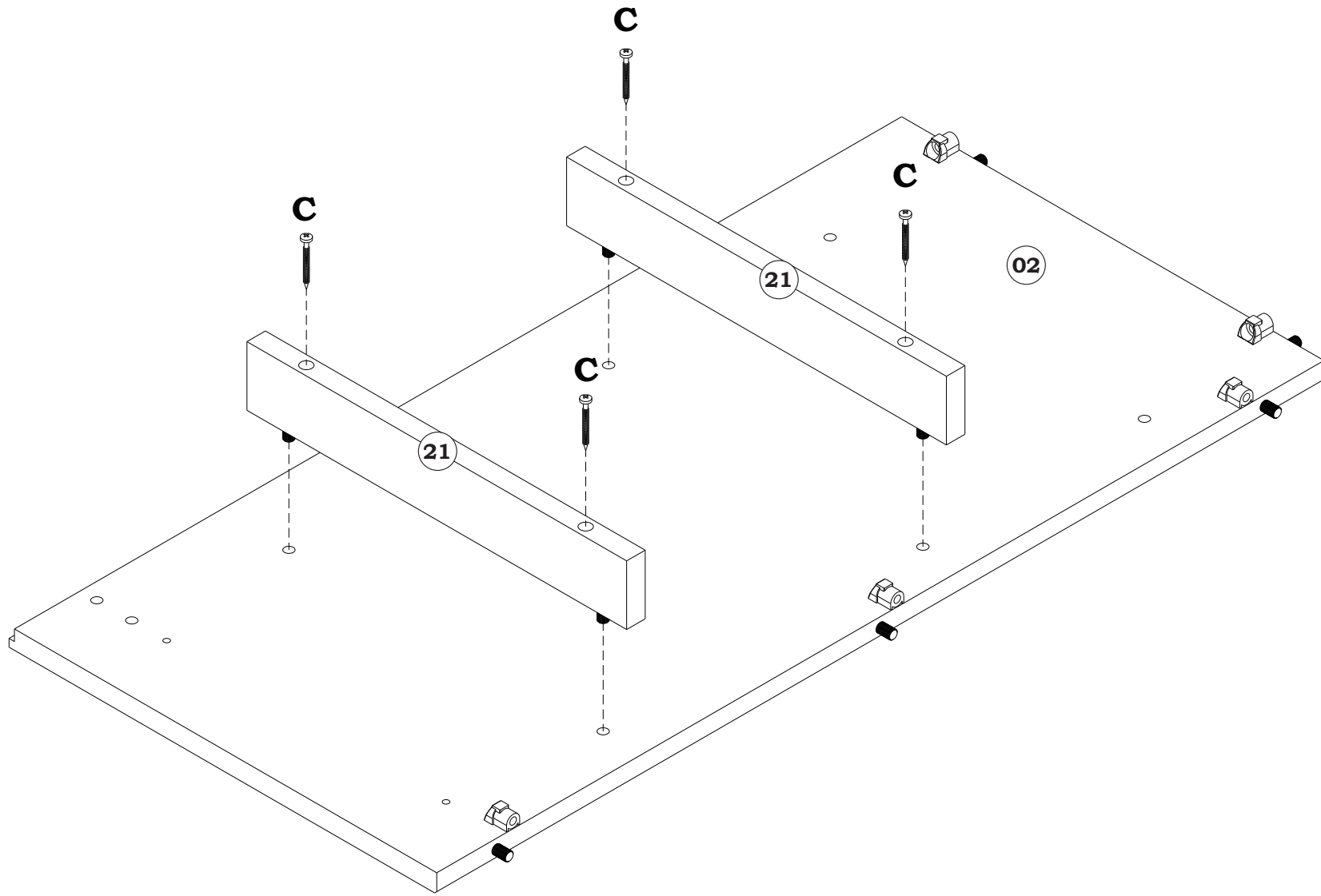
11

C



04x

Ø4,0x40mm



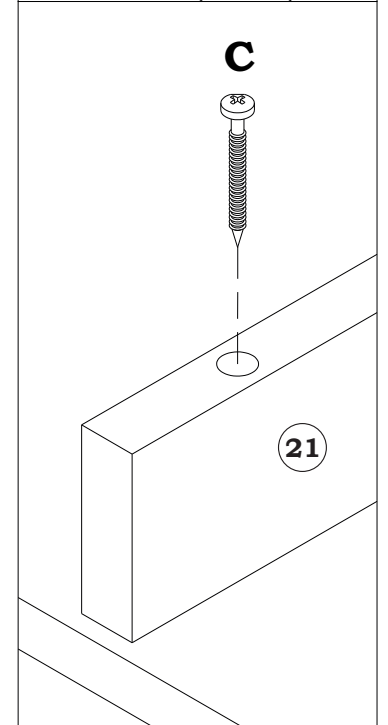
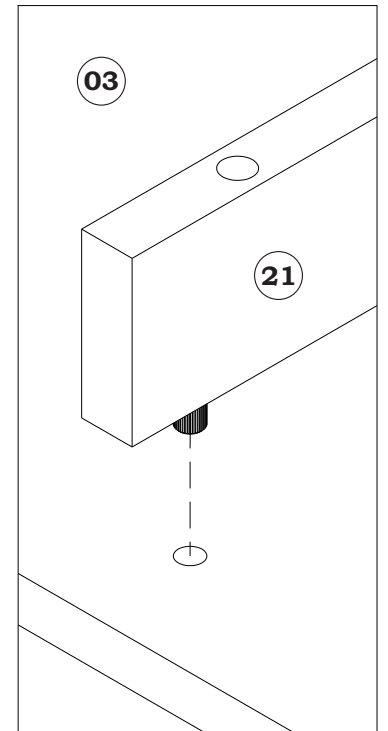
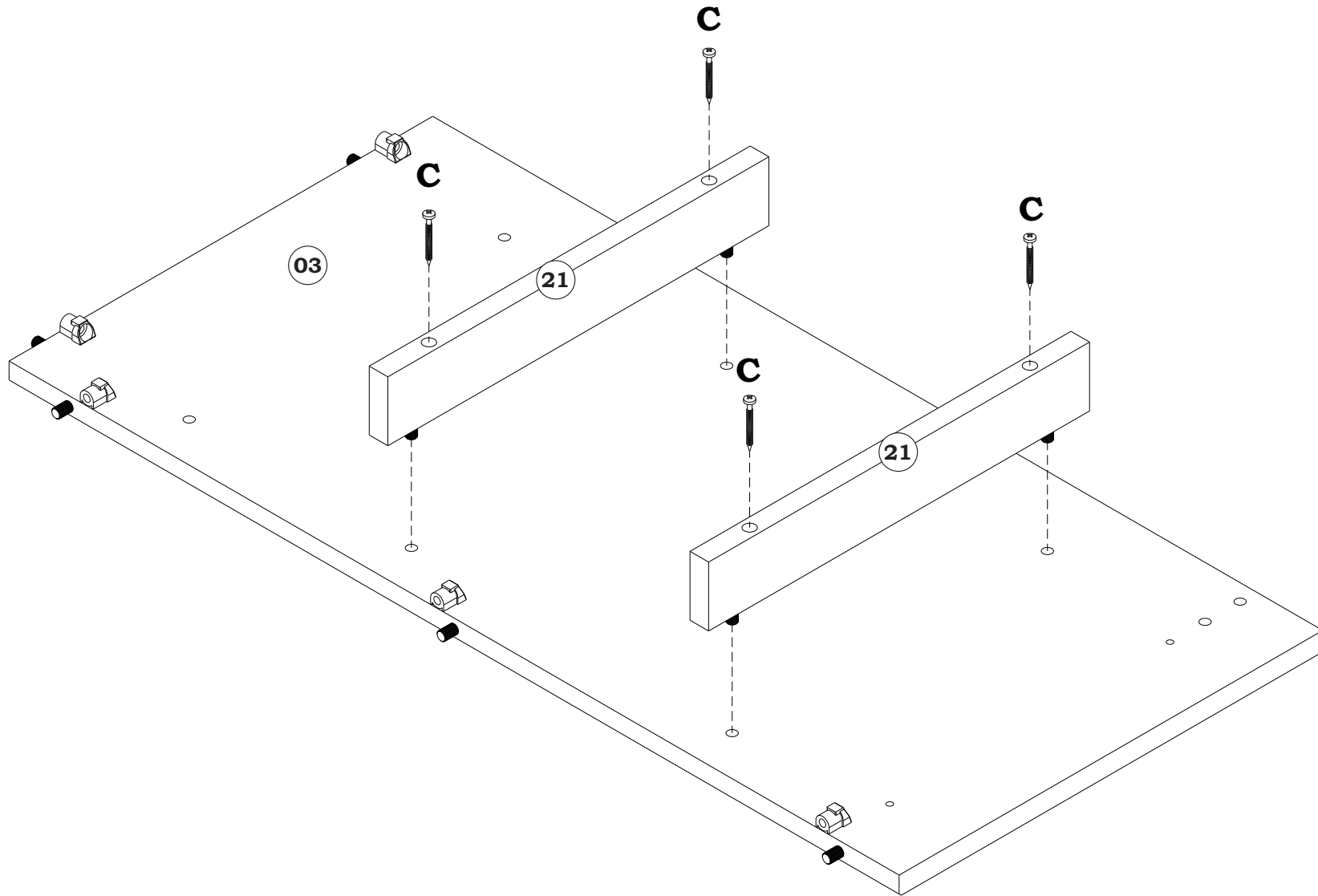
12

C




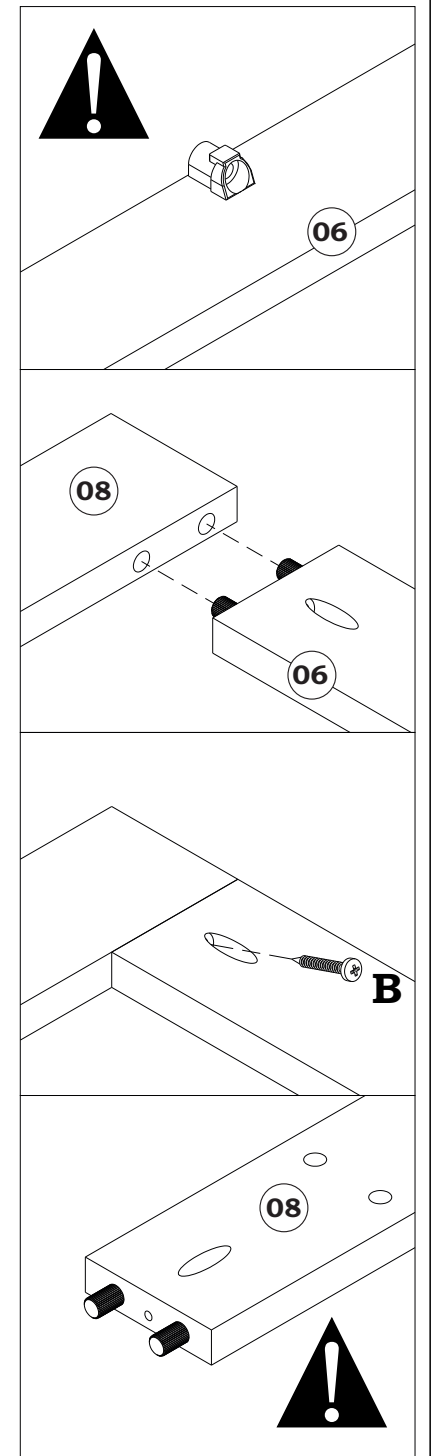
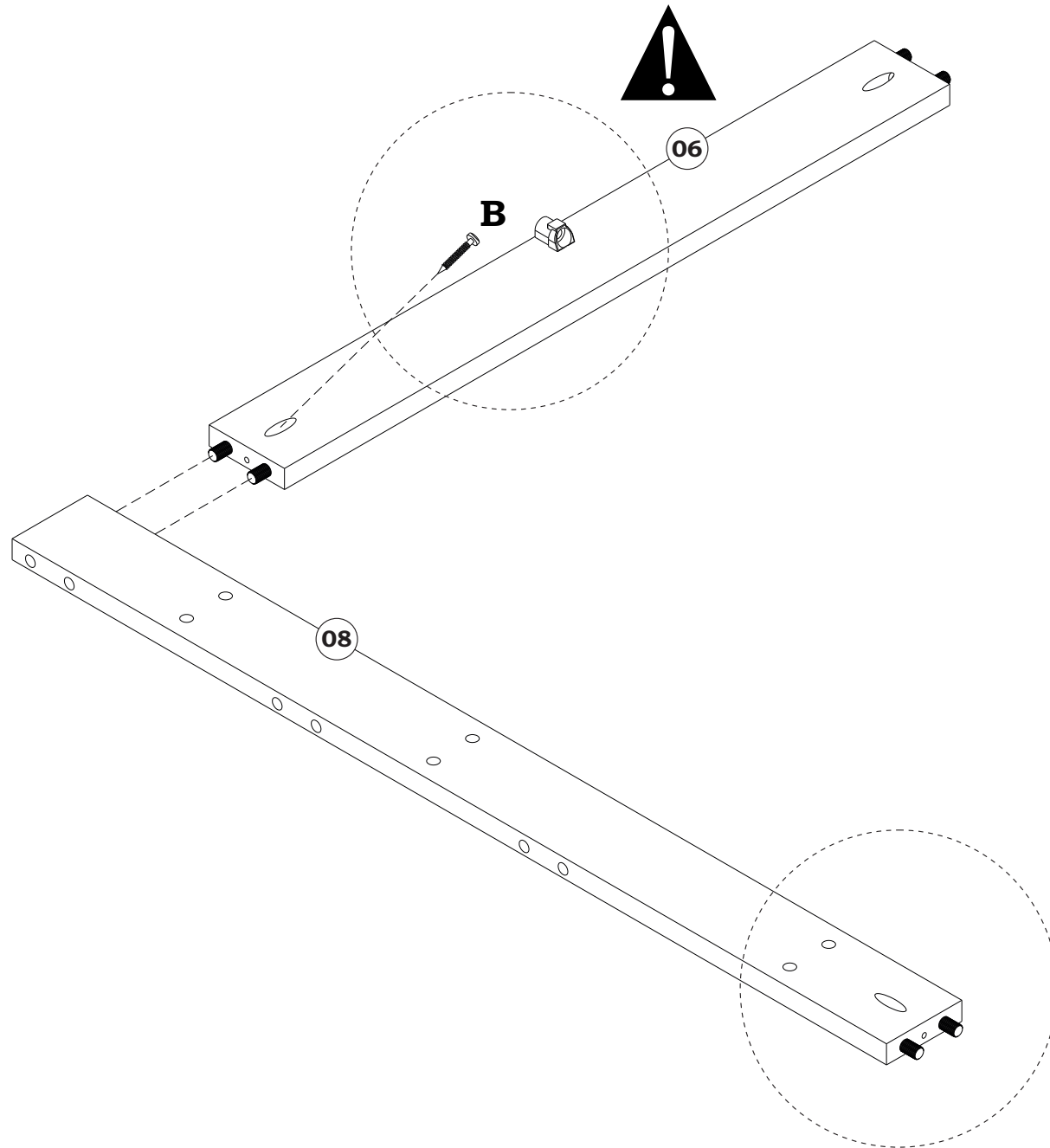
04x

Ø4,0x40mm




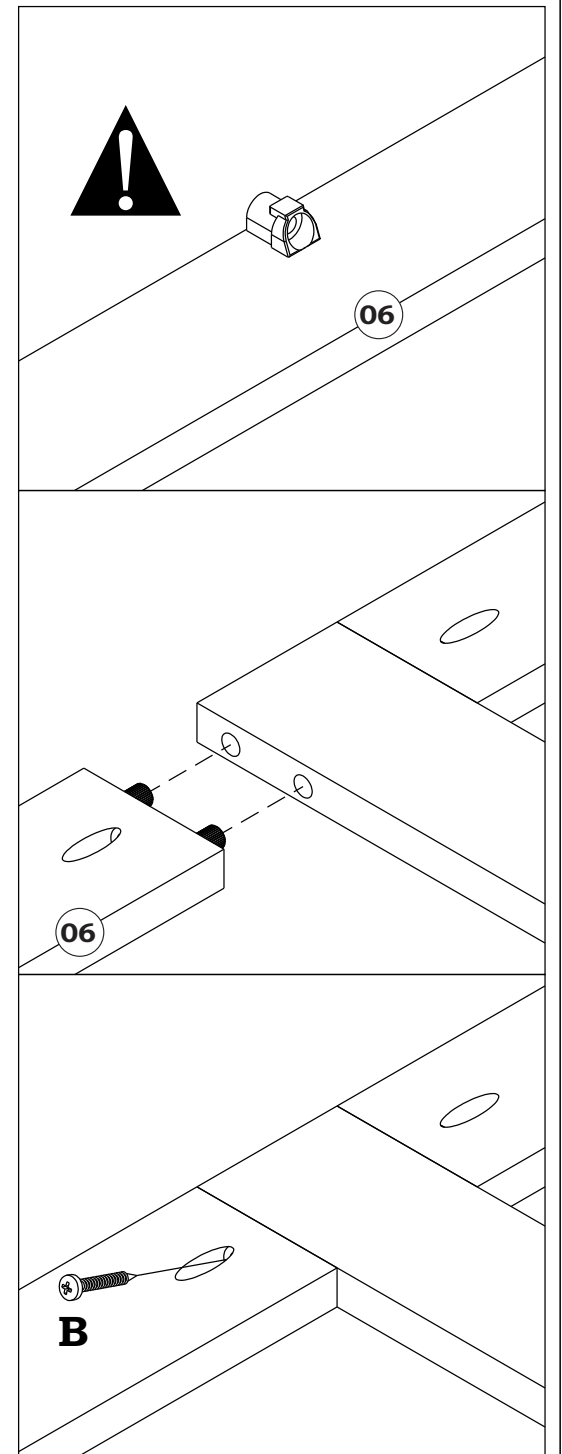
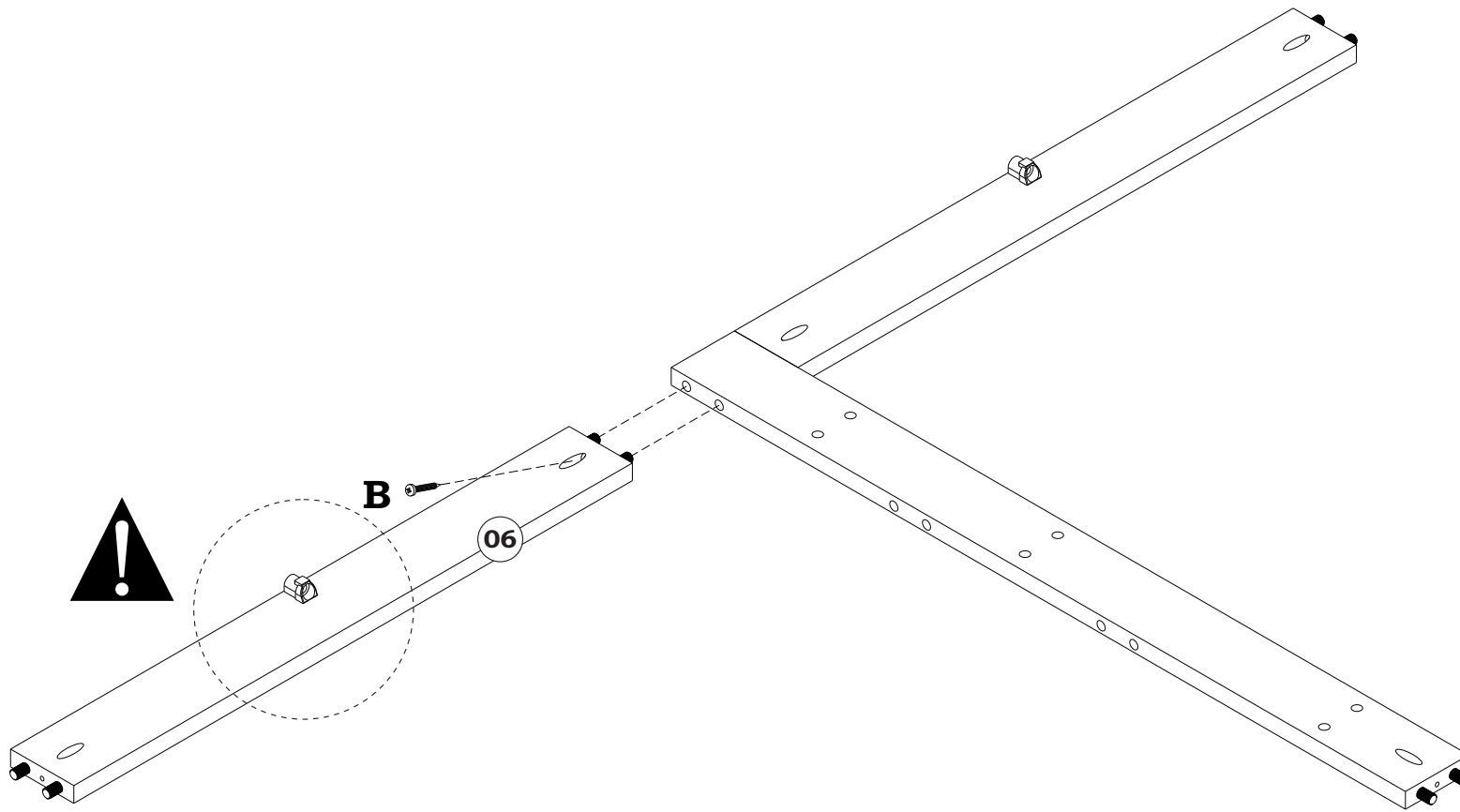
13

B  **01x**
Ø3,5x30mm



14

B  **01x**
Ø3,5x30mm



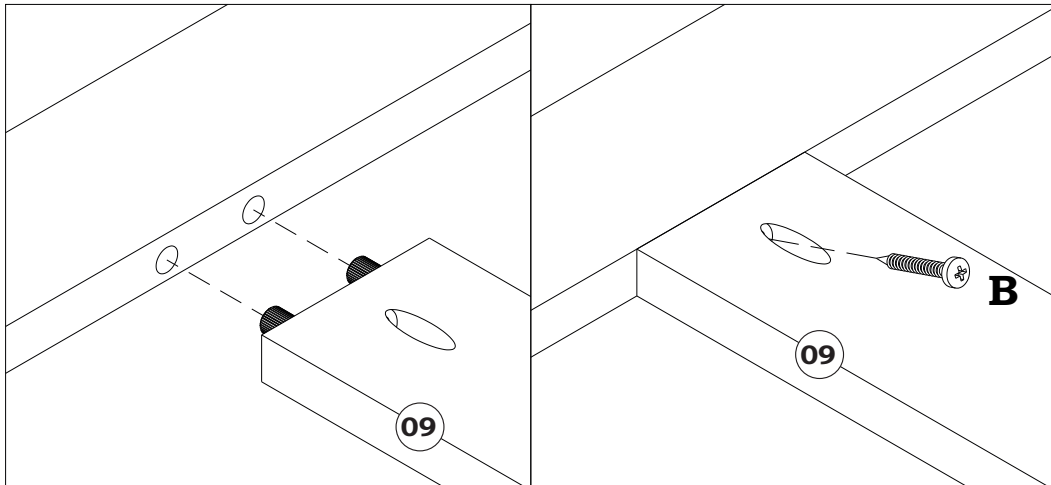
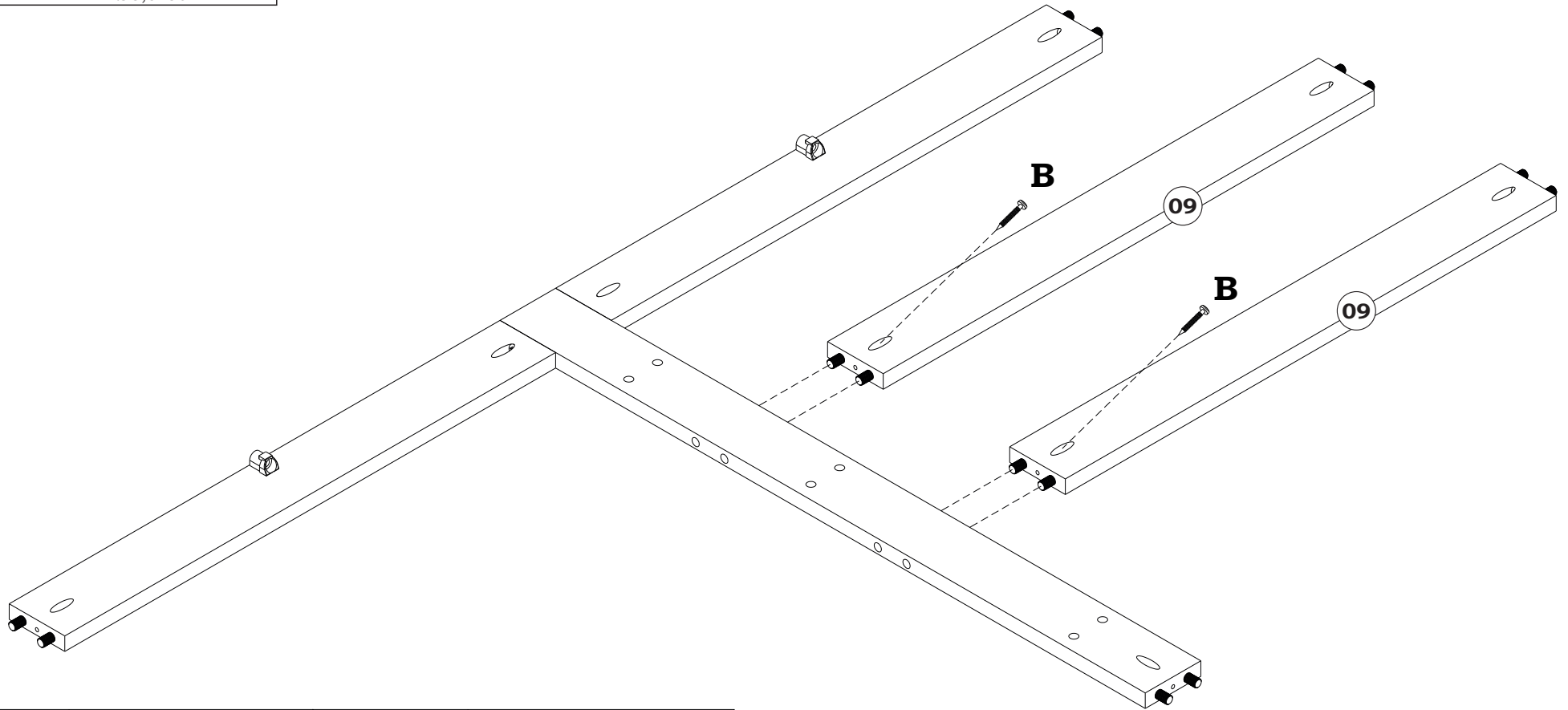
15

B




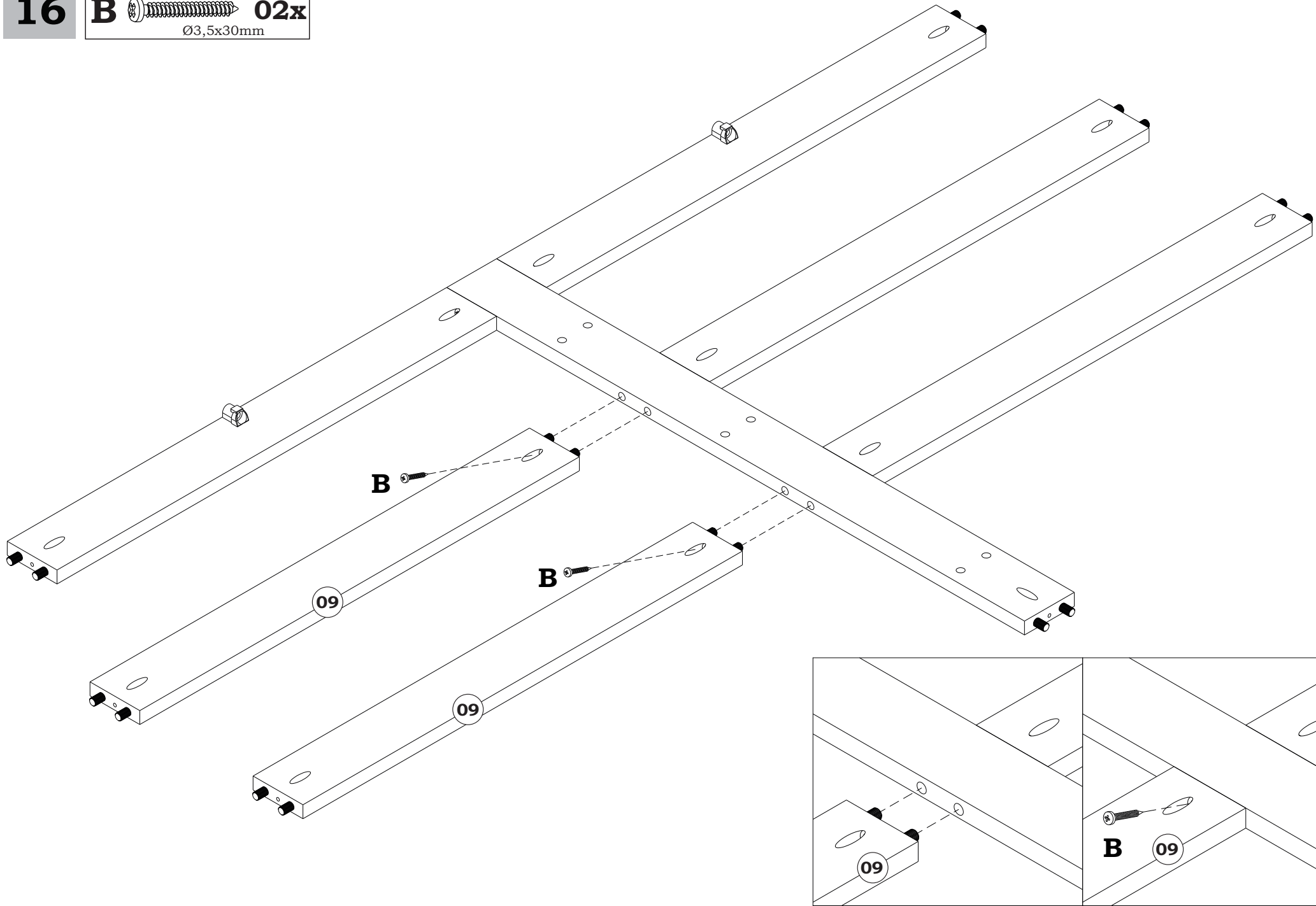
02x

Ø3,5x30mm




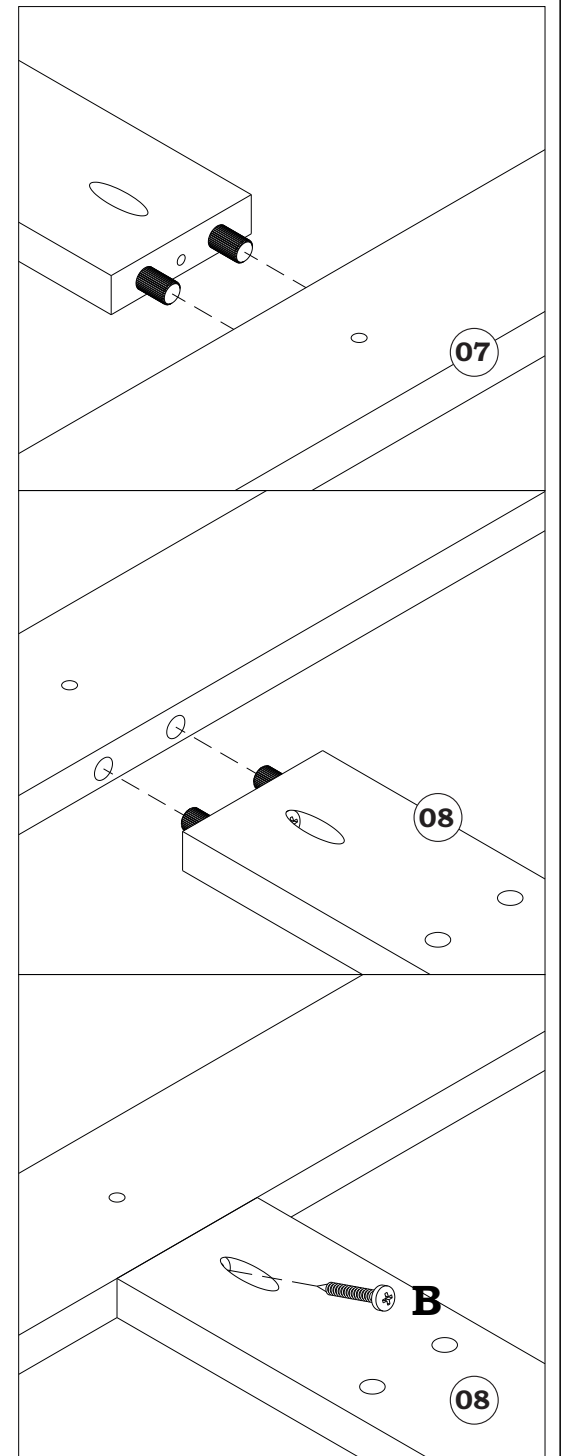
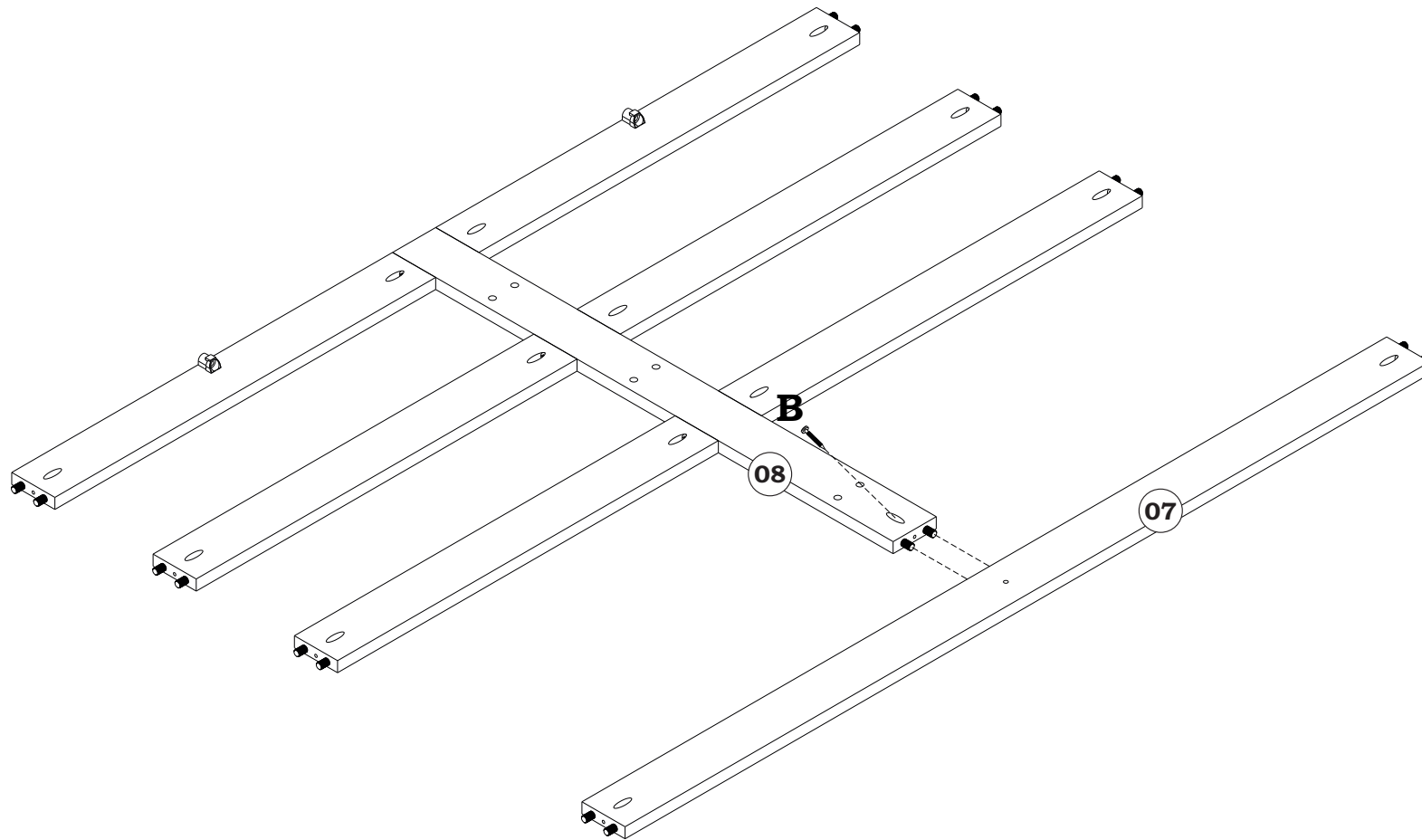
16

B  **02x**
Ø3,5x30mm




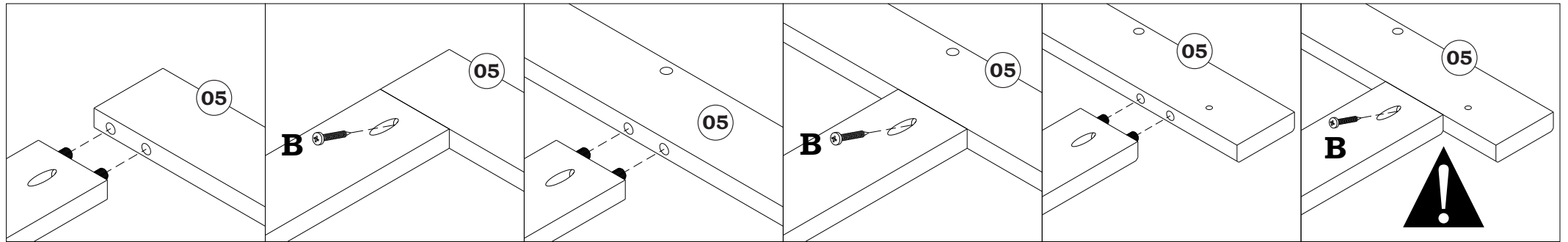
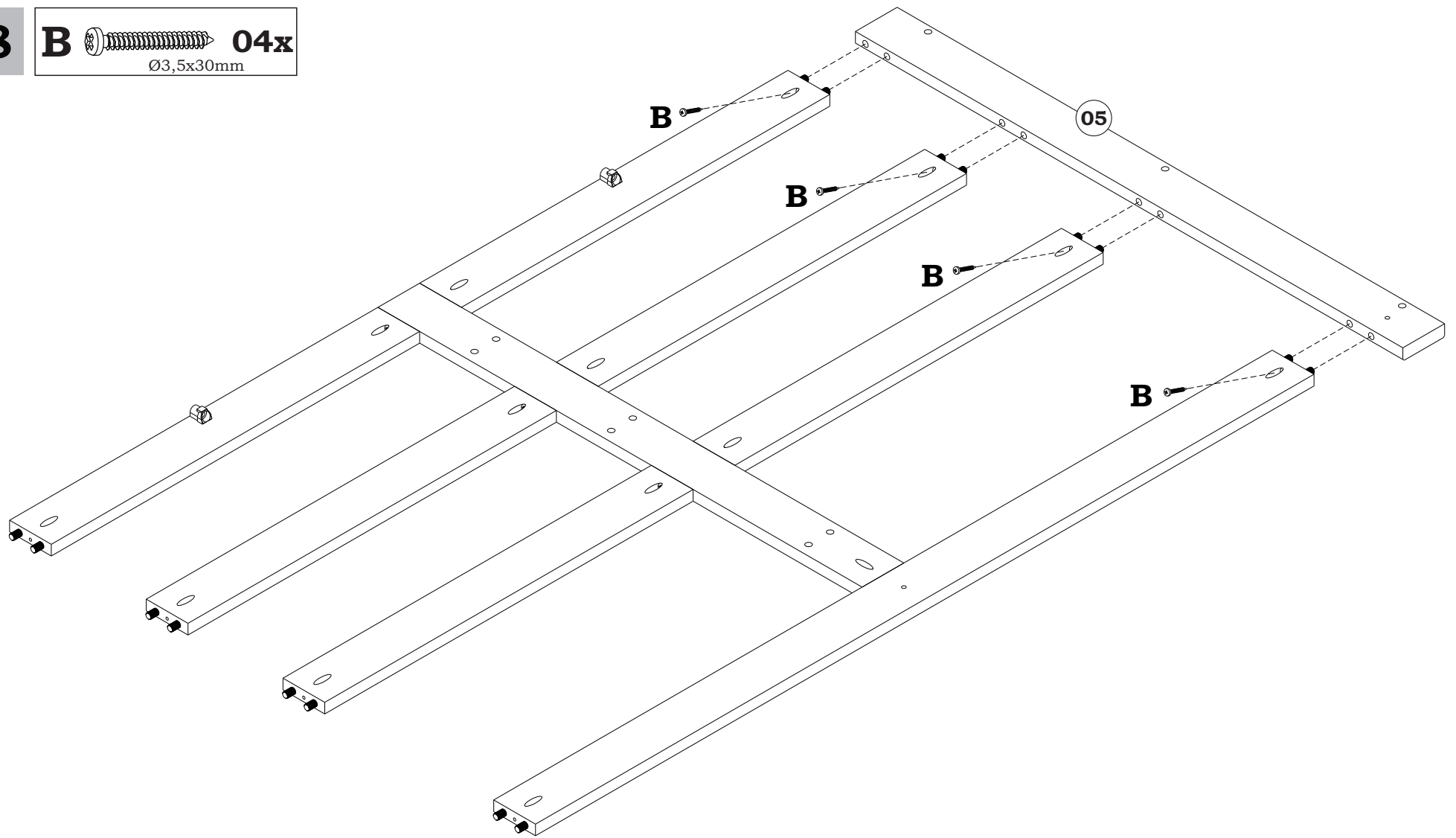
17

B  **01x**
Ø3,5x30mm



18

B  **04x**
Ø3,5x30mm



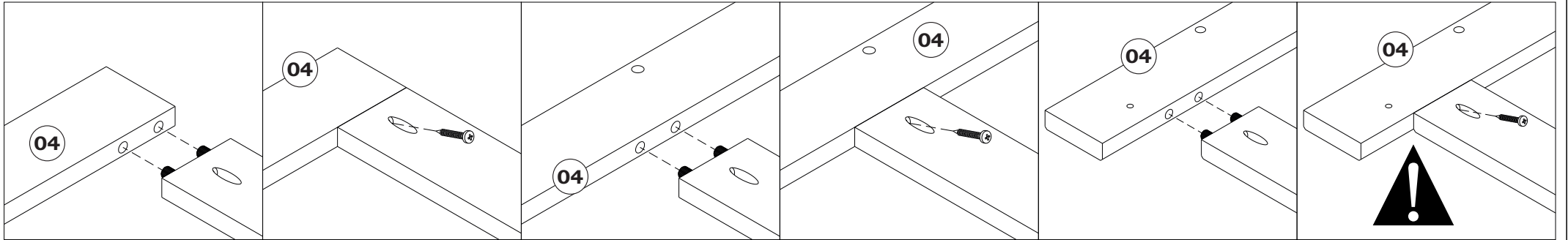
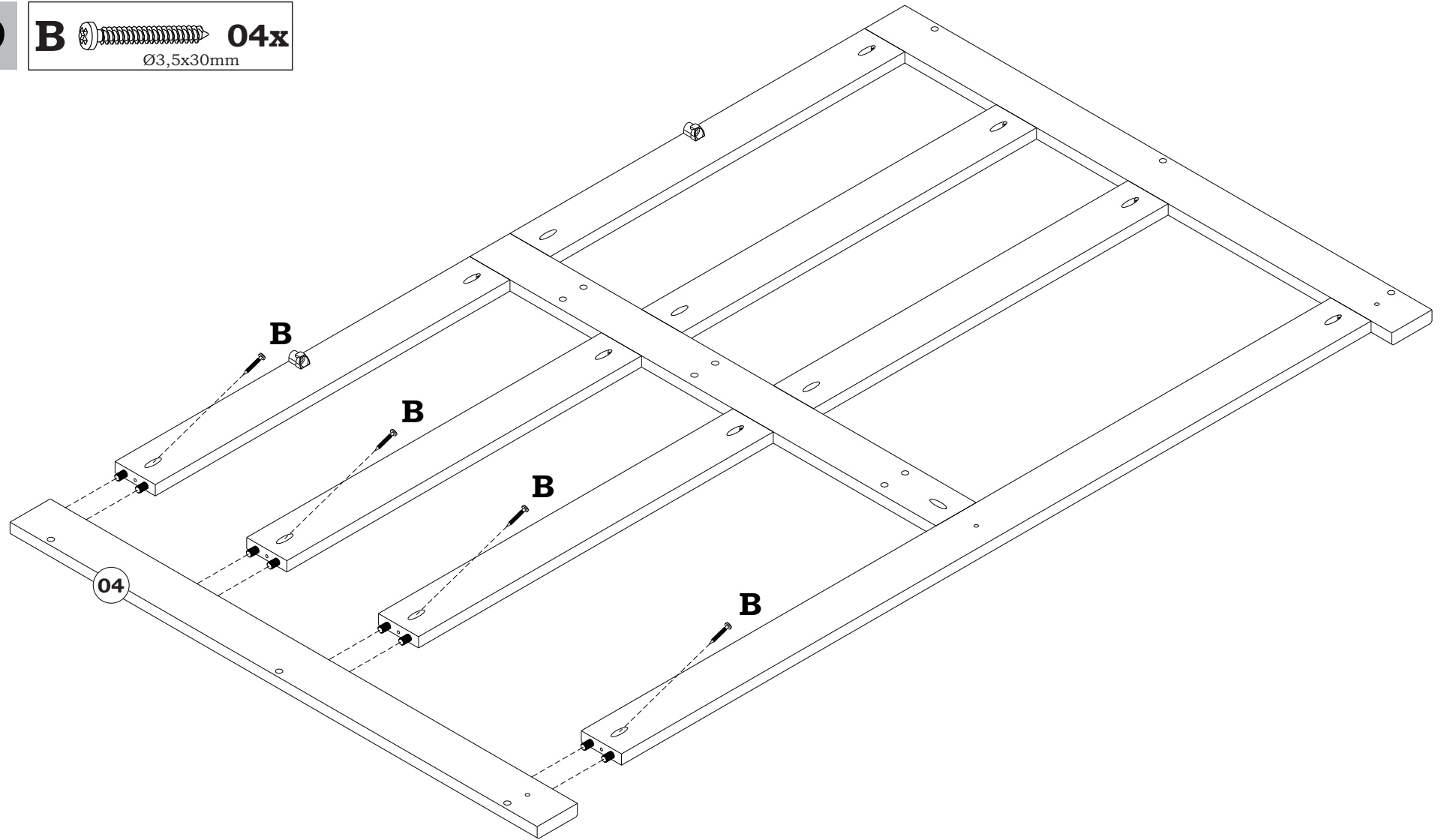
19

B



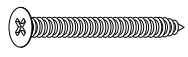
04x

Ø3,5x30mm



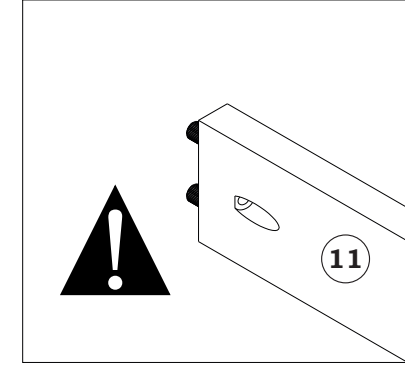
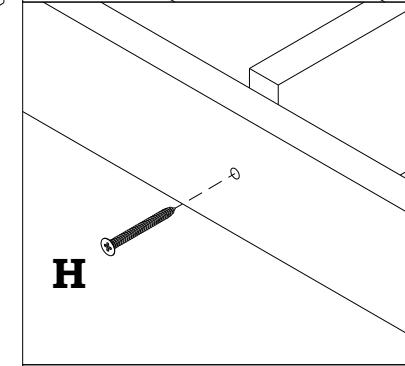
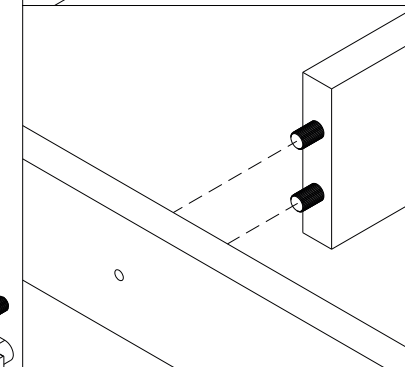
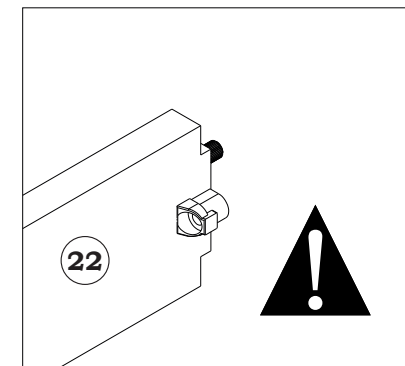
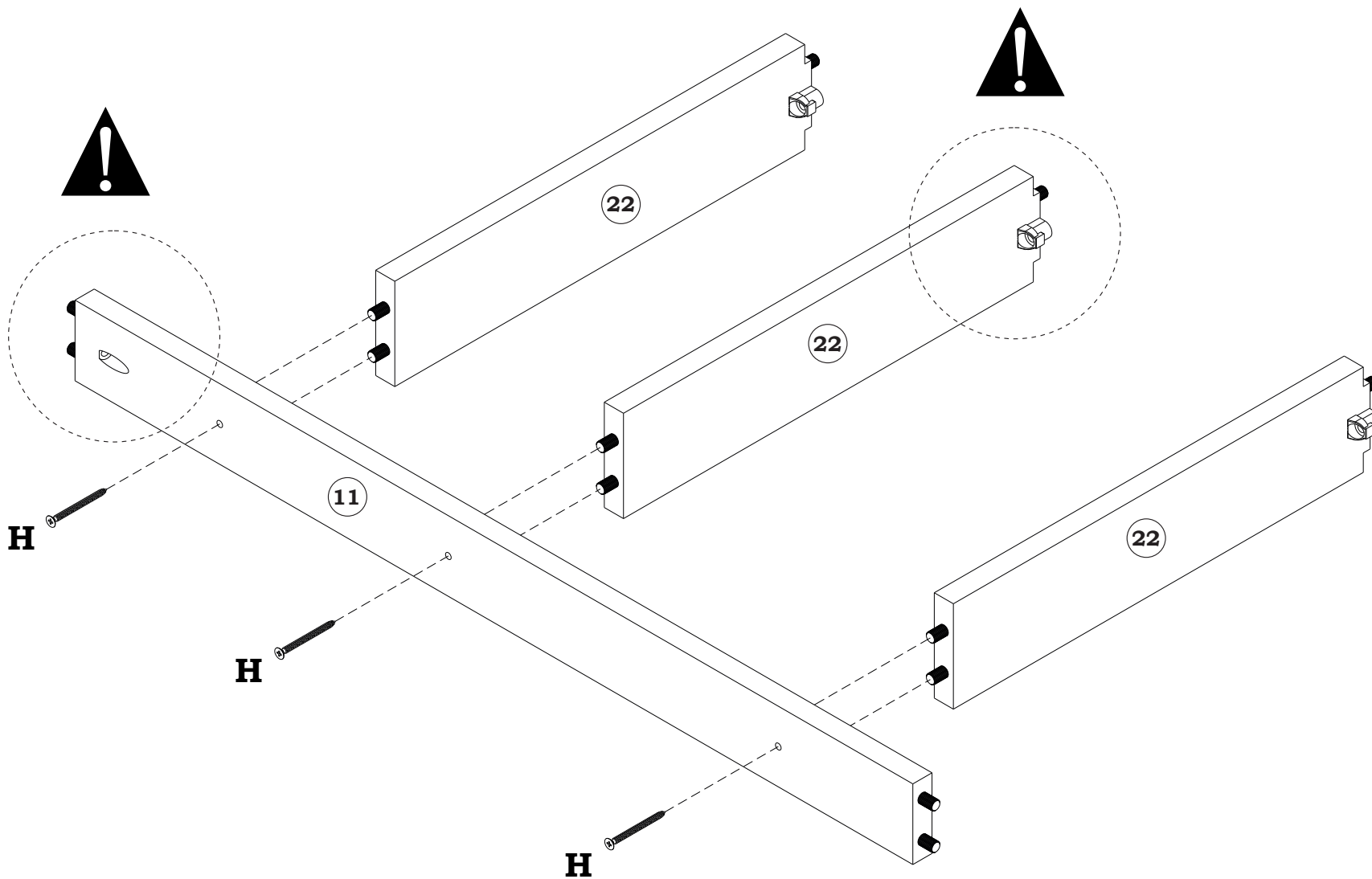
20

H




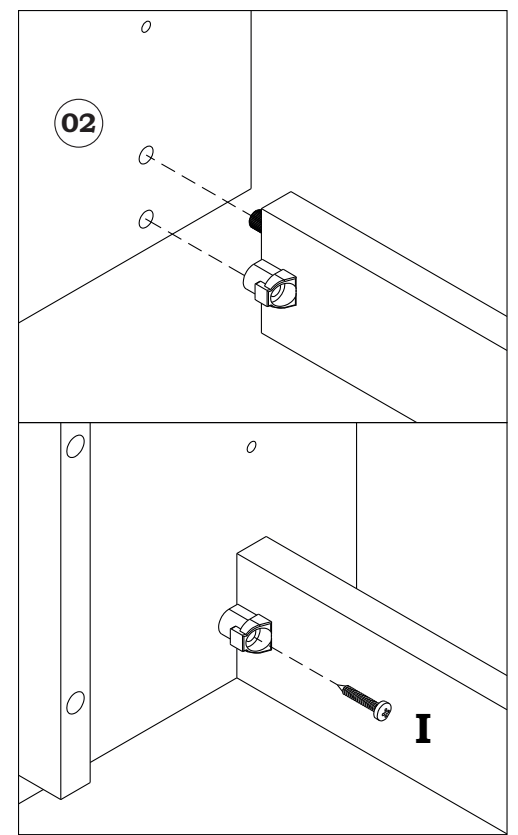
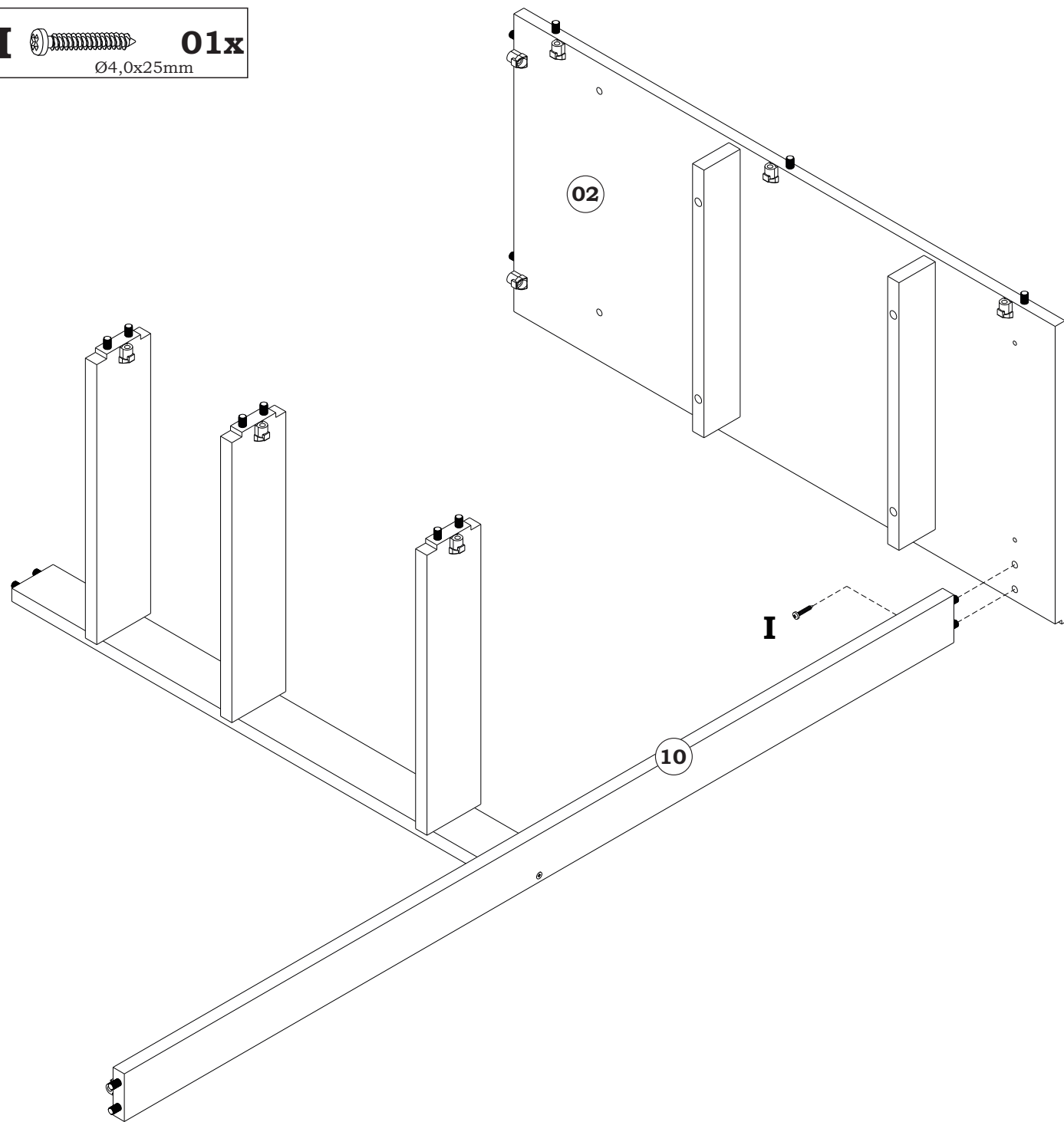
03x

Ø4,0x40mm




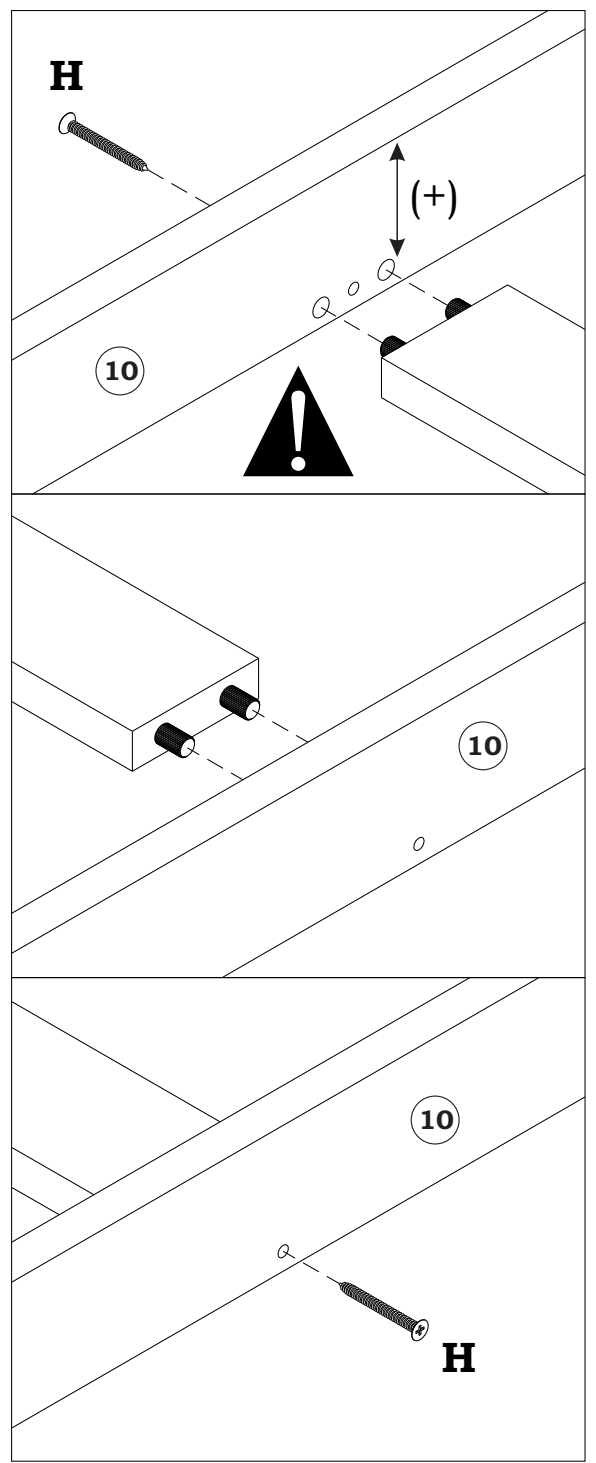
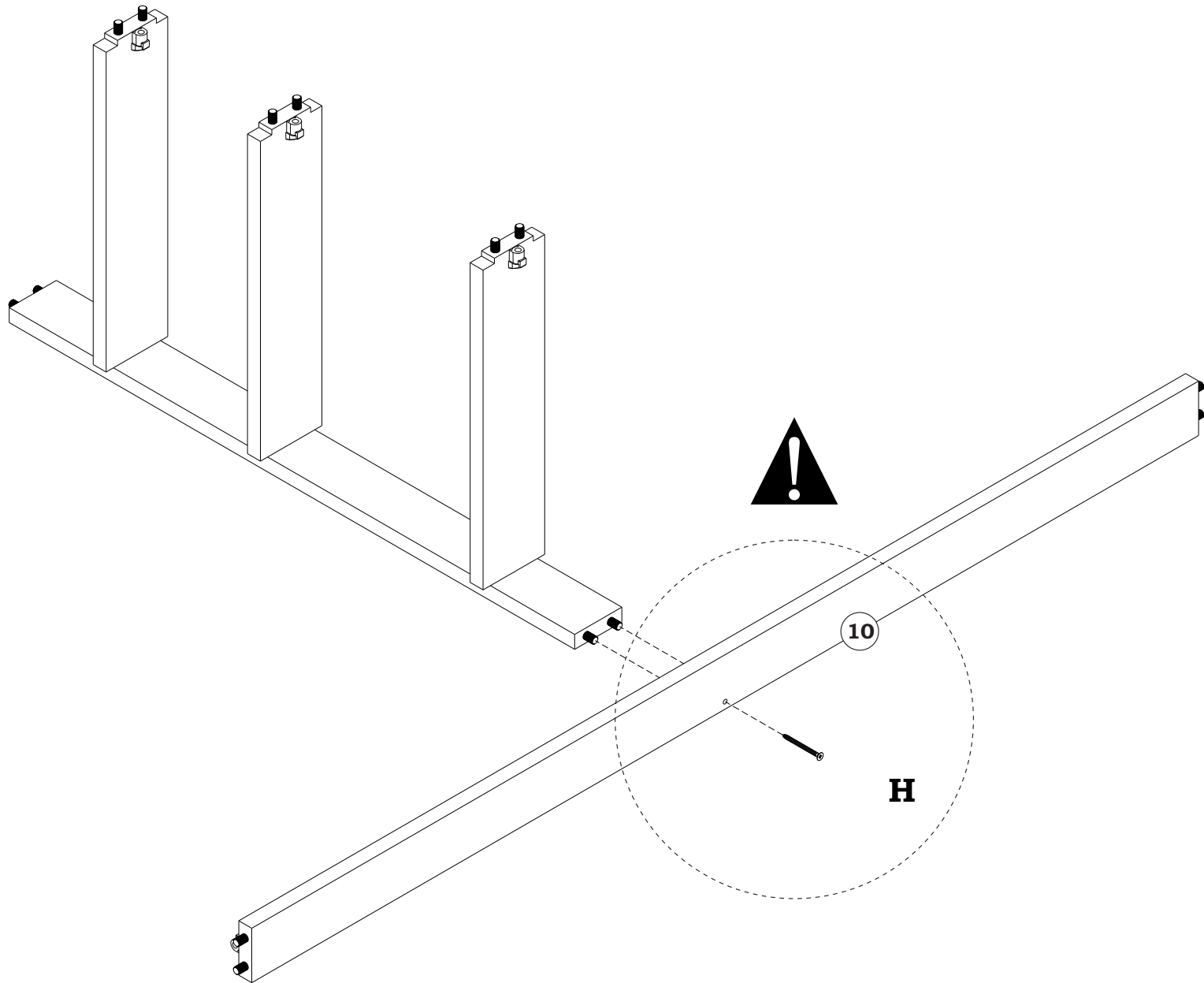
22

I  01x
Ø4,0x25mm




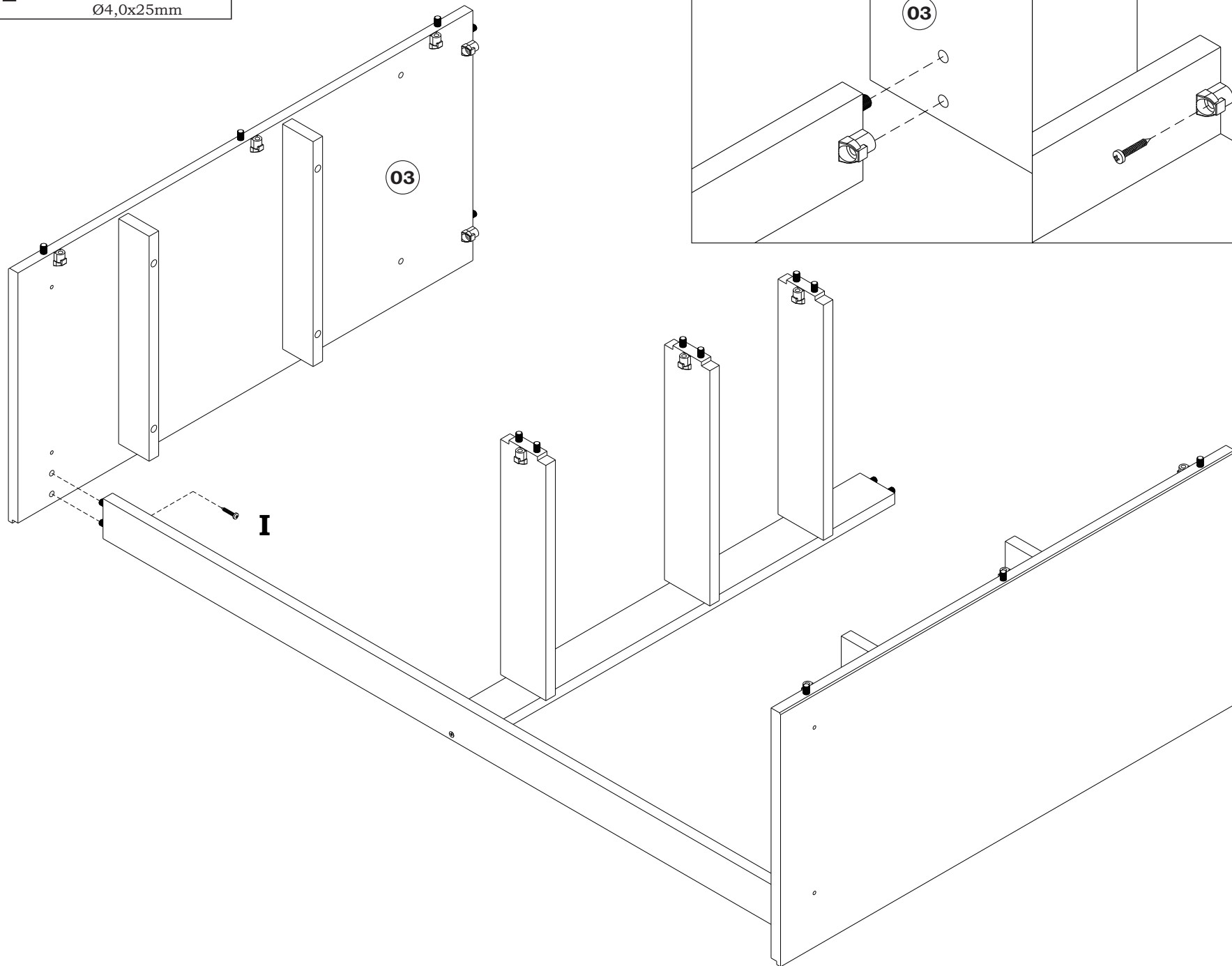
21

H  **01x**
Ø4,0x40mm




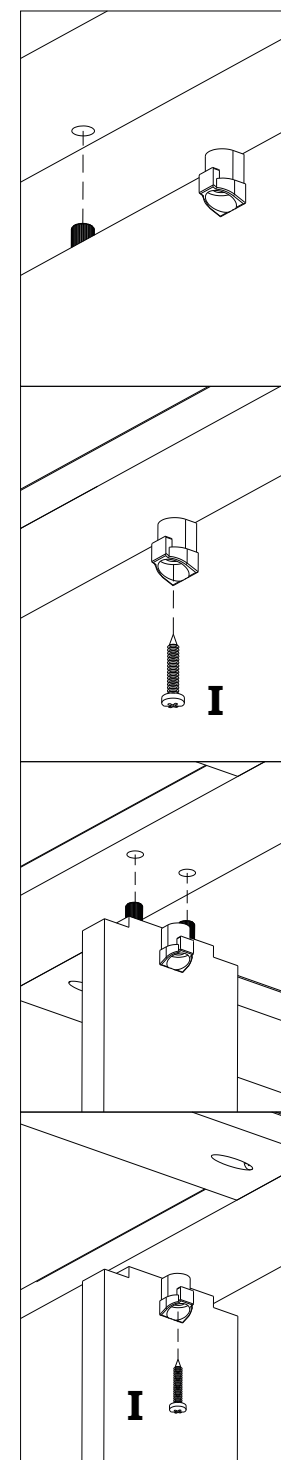
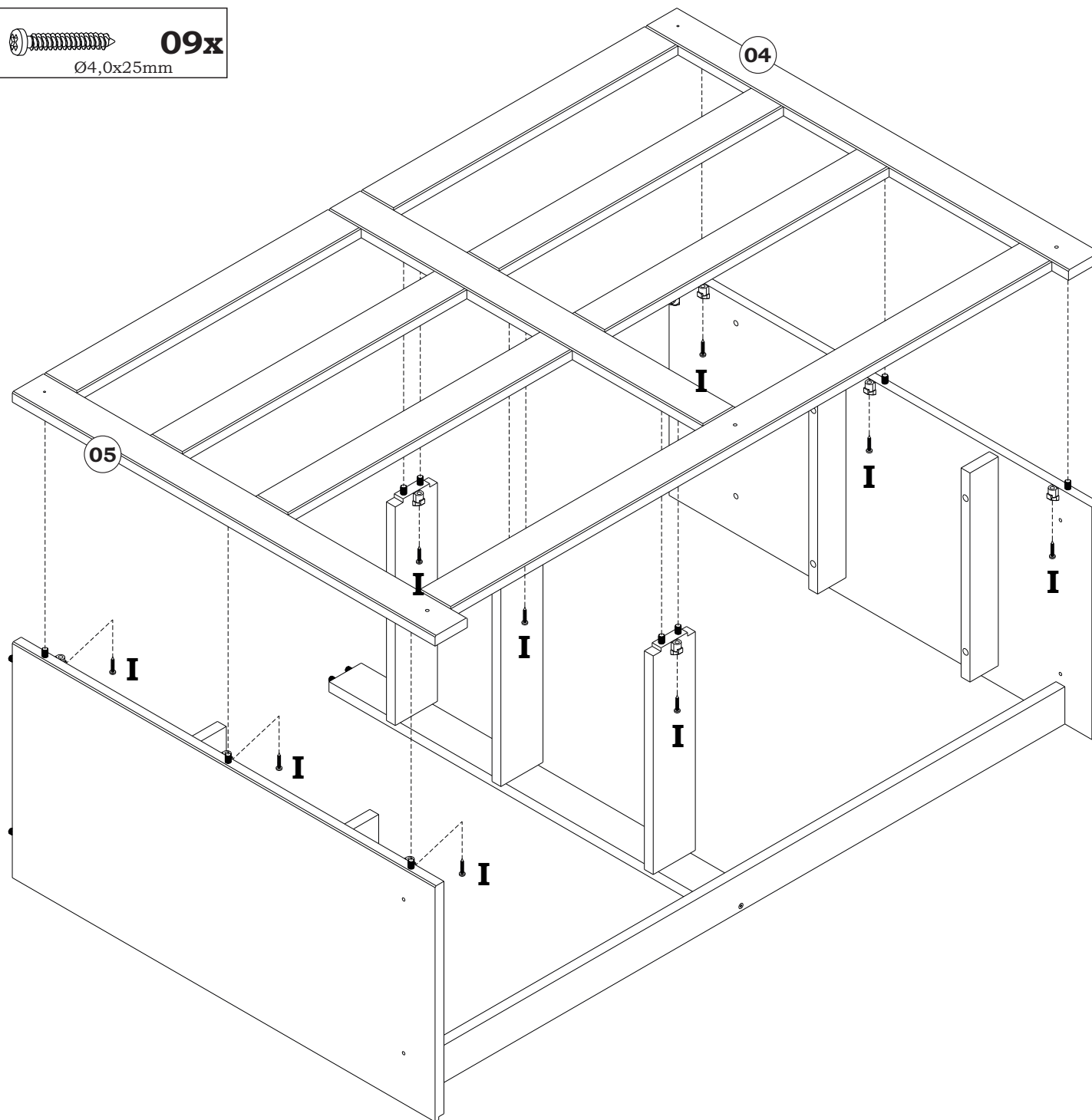
23

I  01x
Ø4,0x25mm




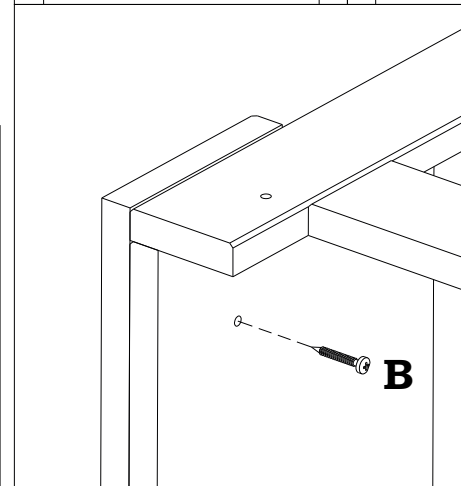
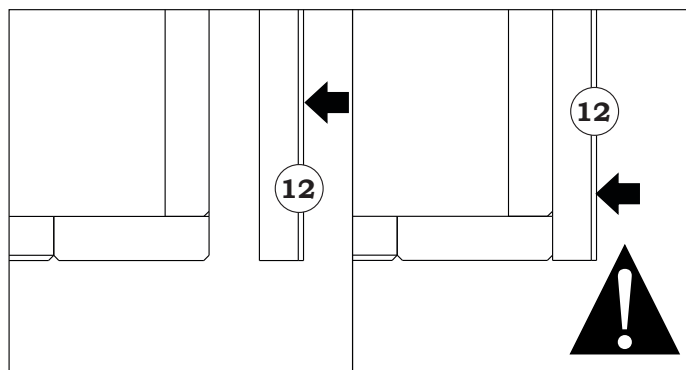
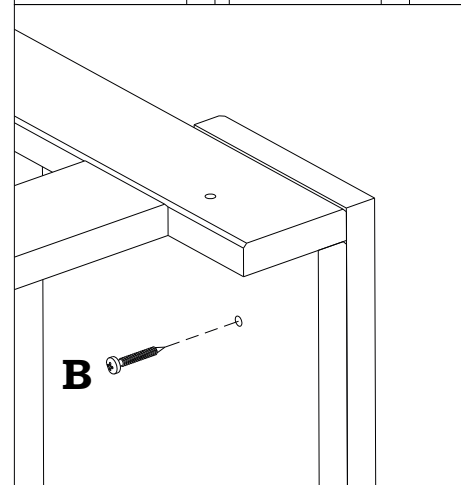
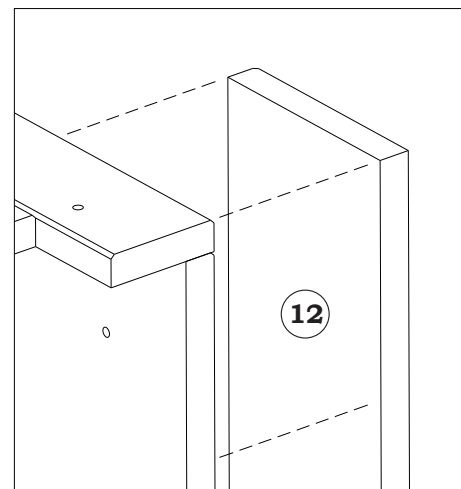
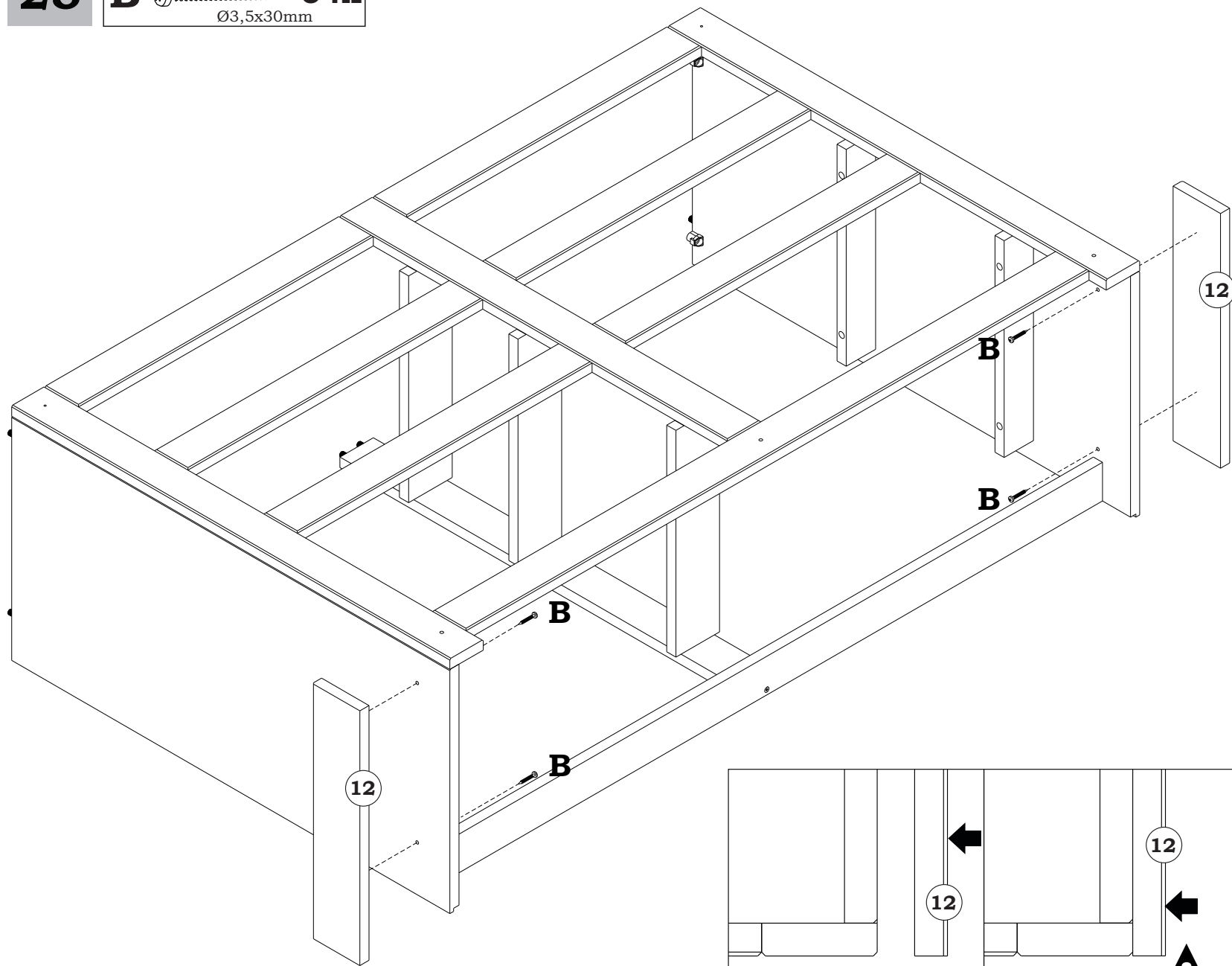
24

I  09x
Ø4,0x25mm




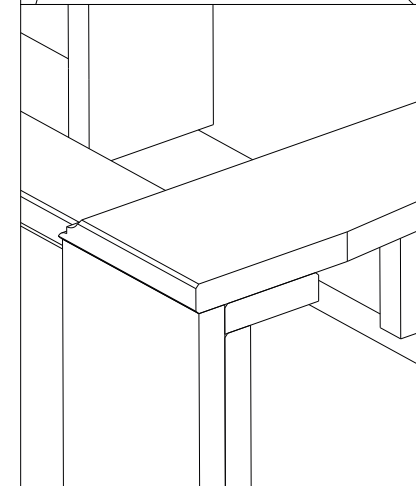
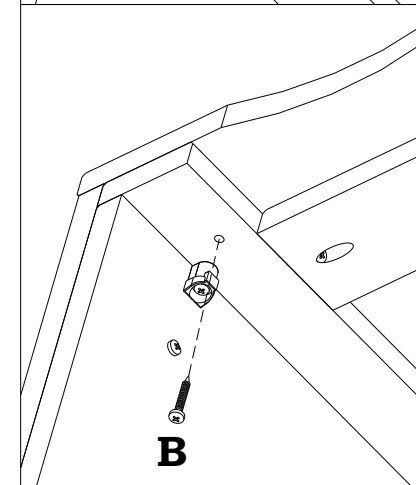
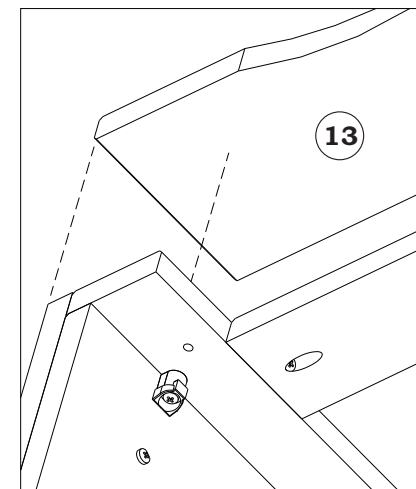
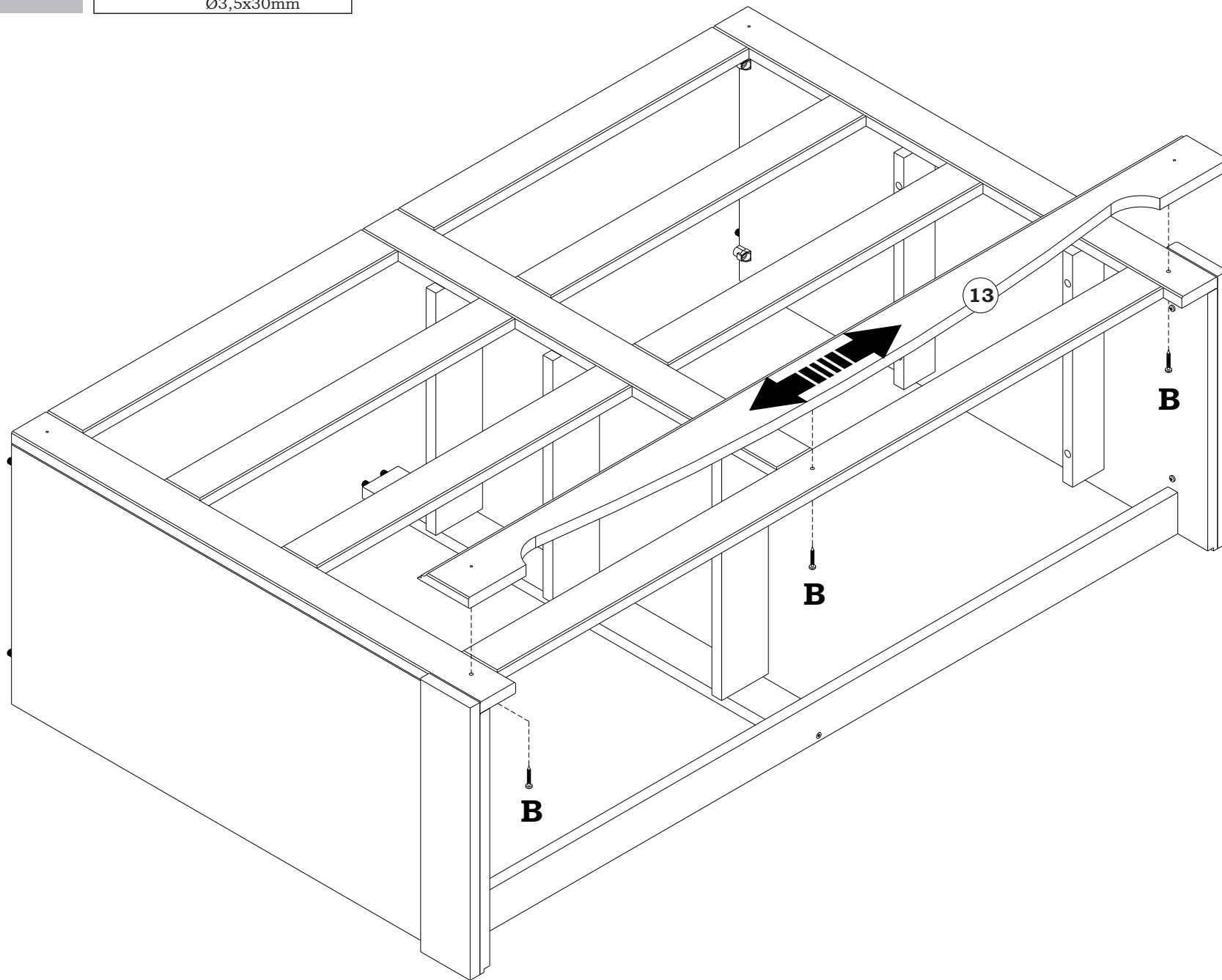
25

B  **04x**
Ø3,5x30mm





26

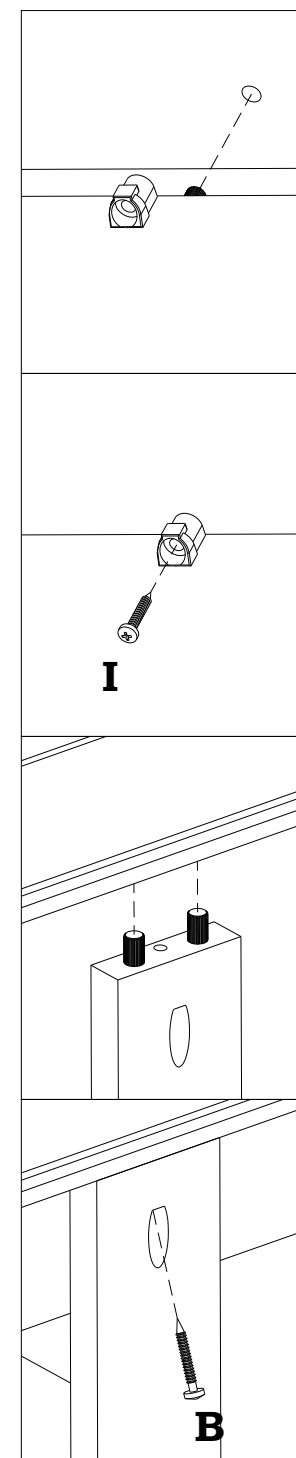
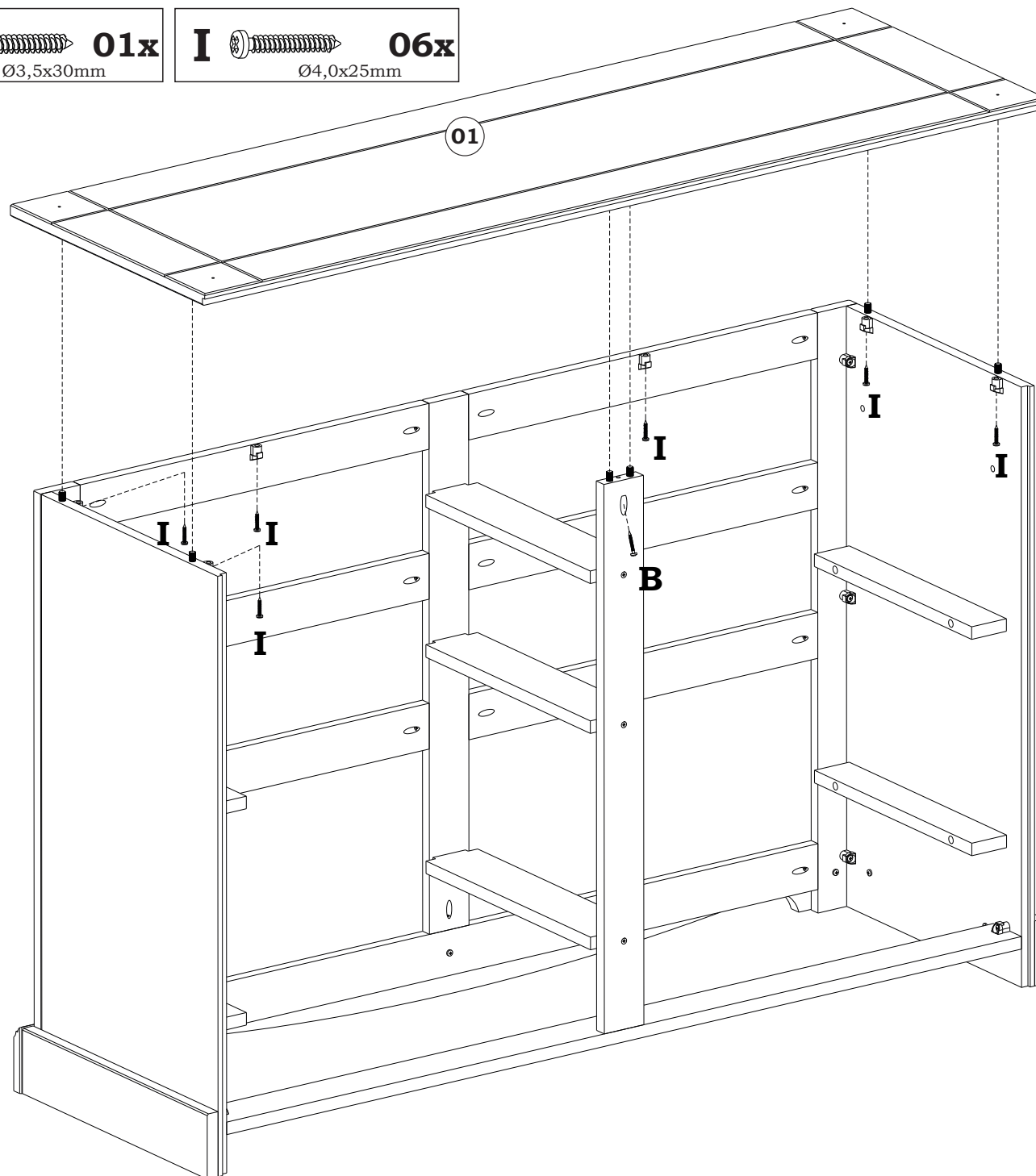
B  **03x**
Ø3,5x30mm




27

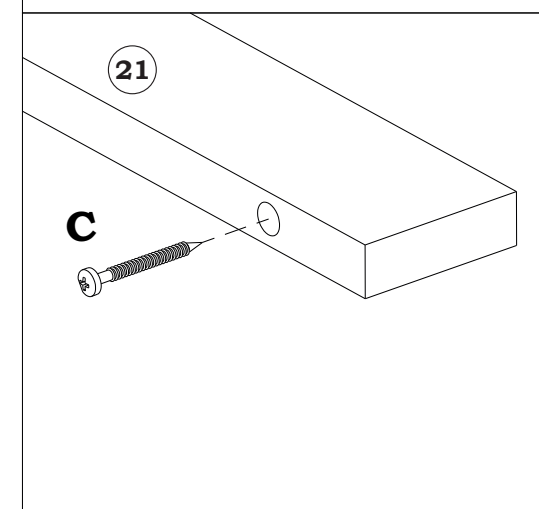
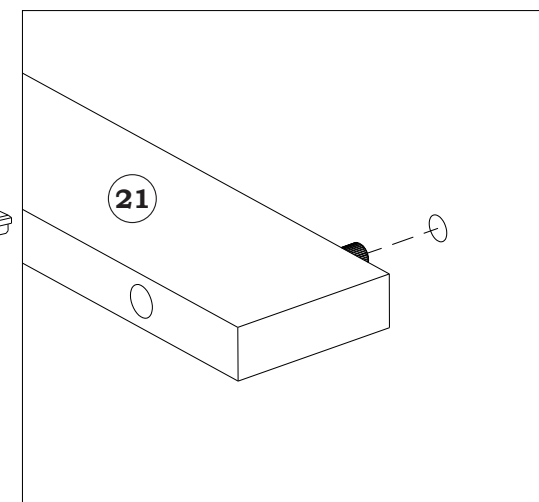
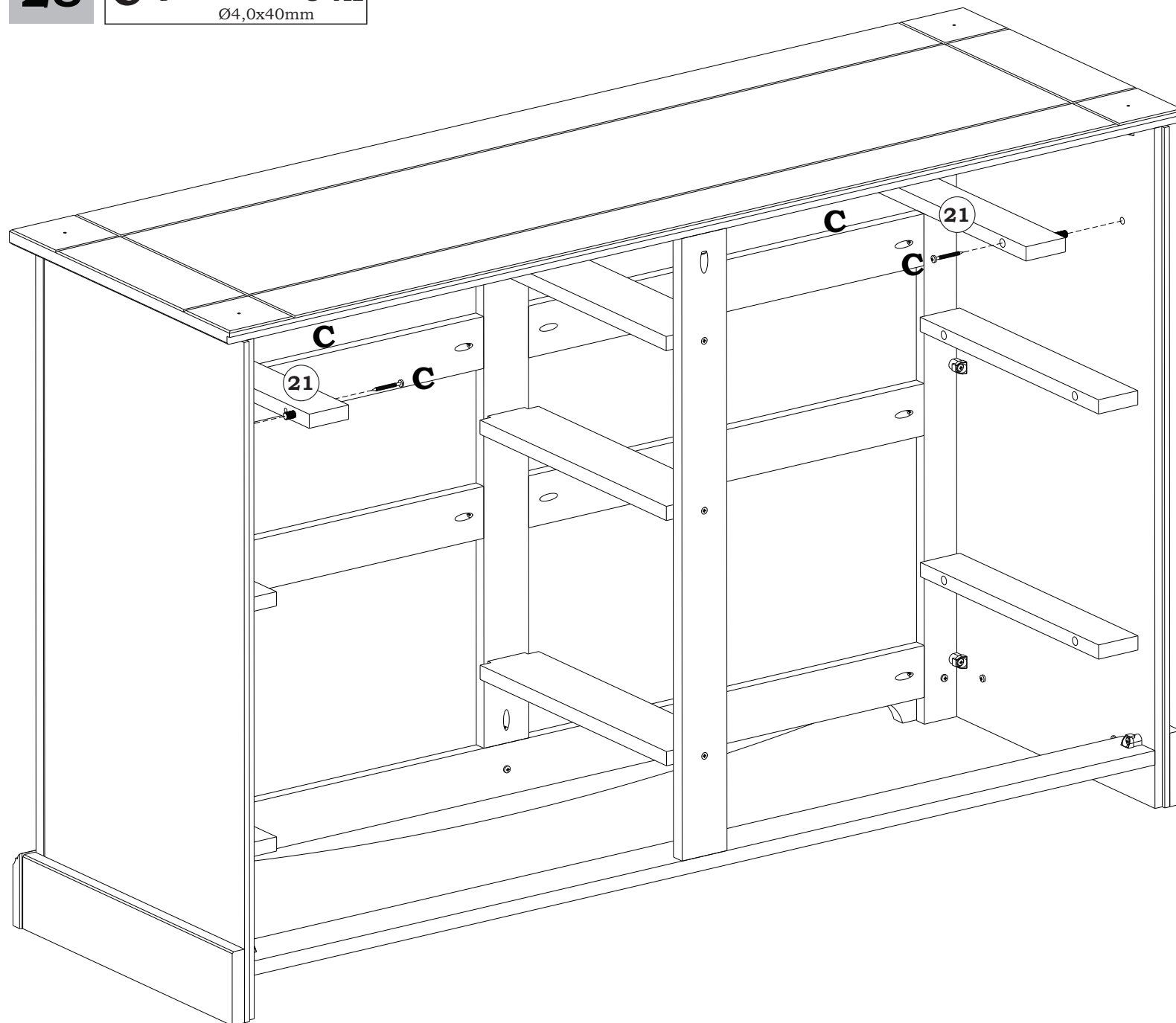
B  **01x**
Ø3,5x30mm

I  **06x**
Ø4,0x25mm



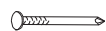
28

C  **04x**
Ø4,0x40mm



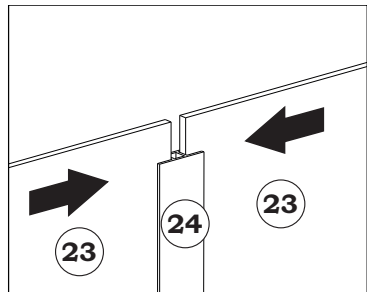
29

D



8x8

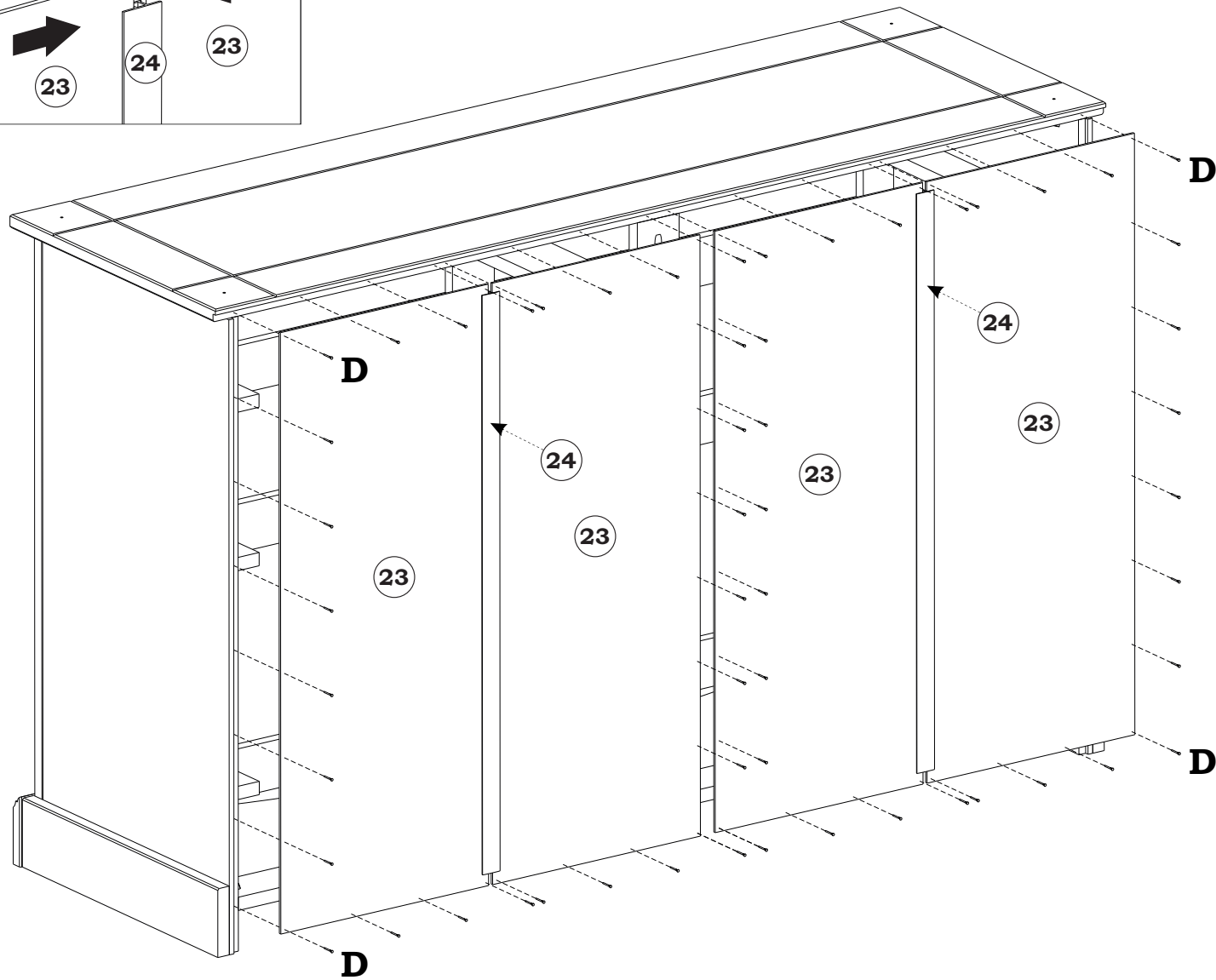
56x



23

24

23



D

24

23

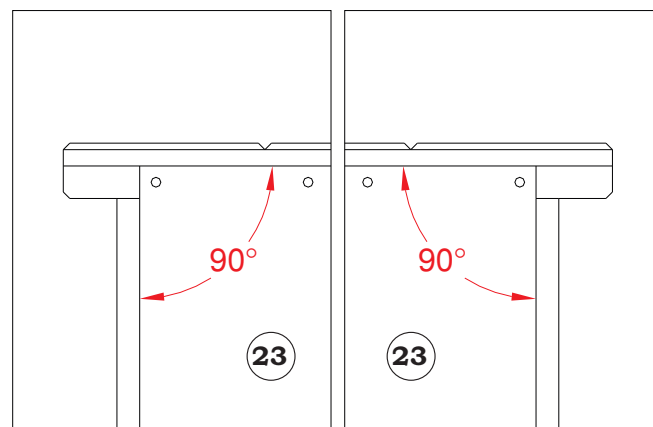
24

23

23

23

D

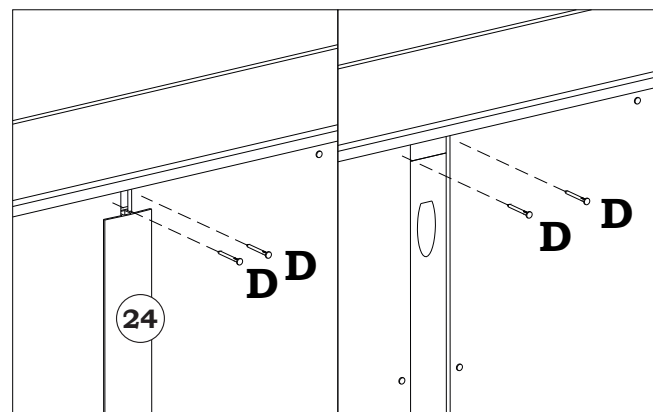


90°

23

90°

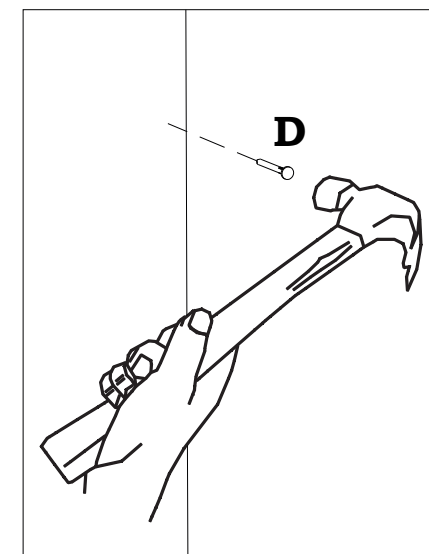
23



24


D D

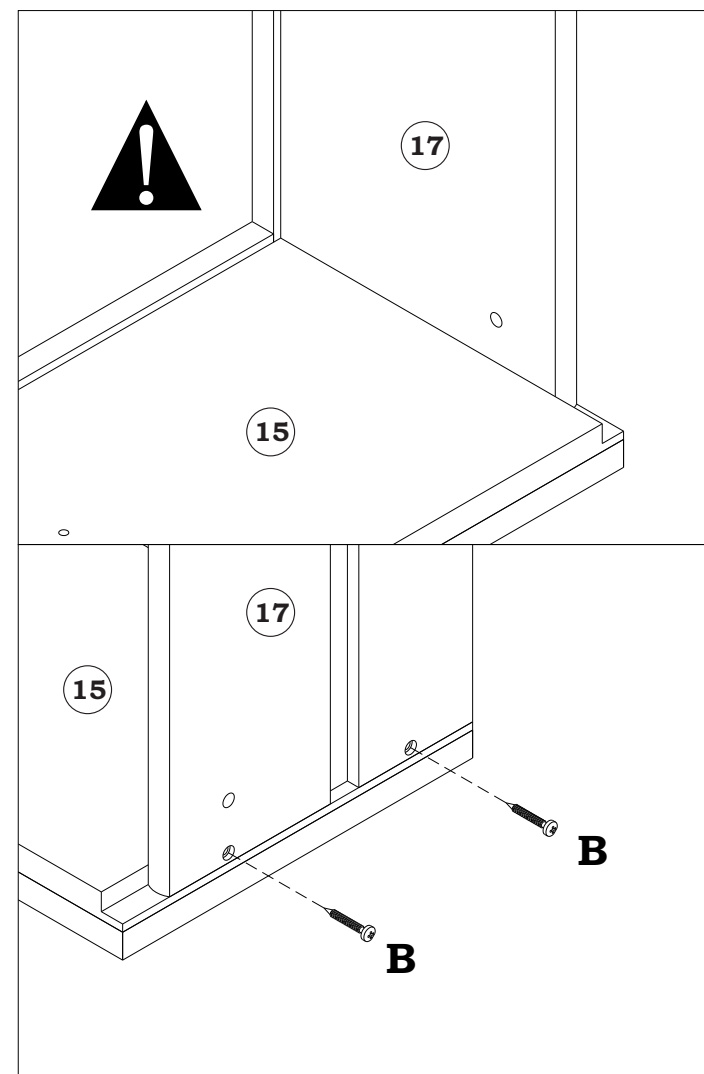
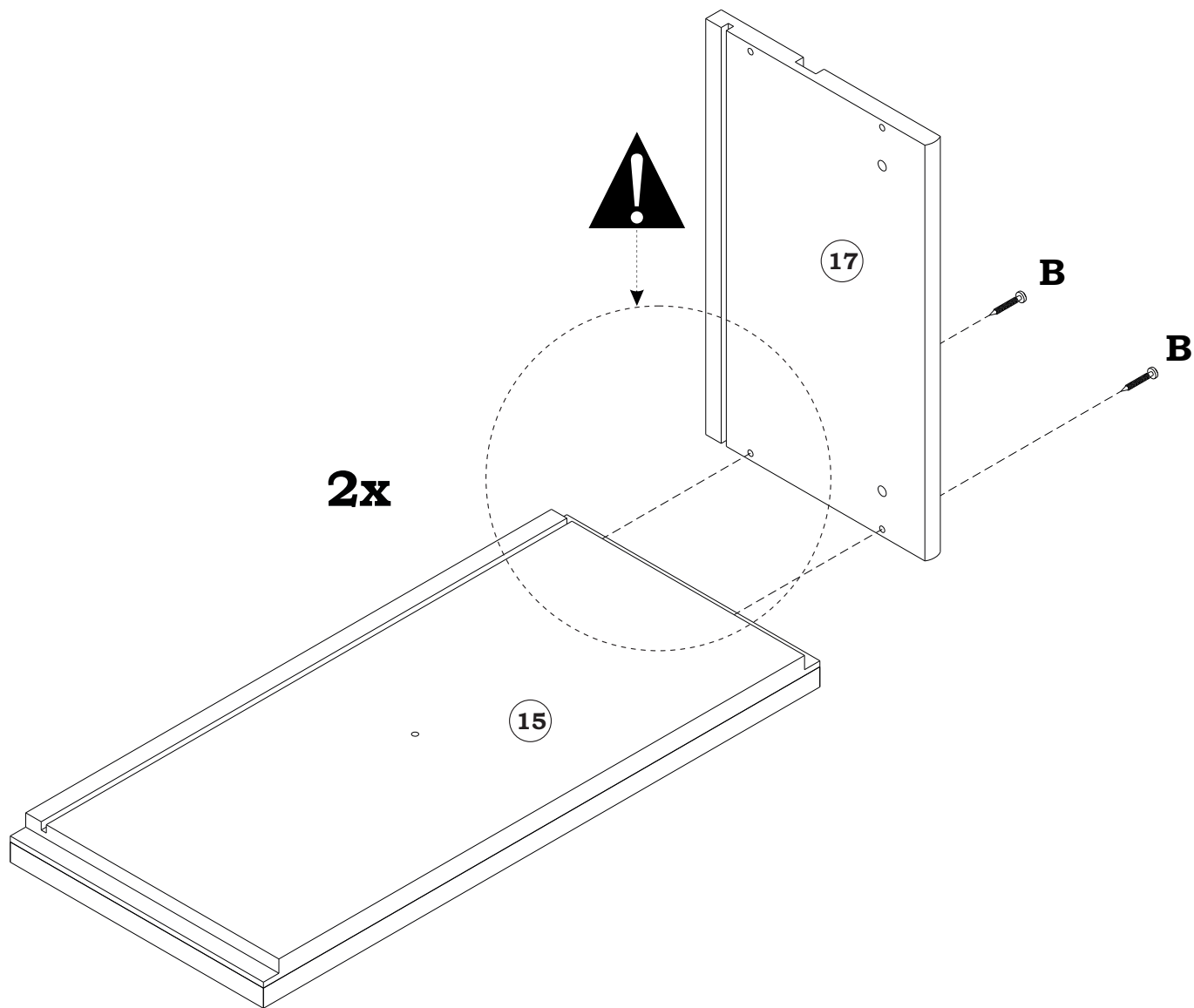
D D




D

30

B  **04x**
Ø3,5x30mm

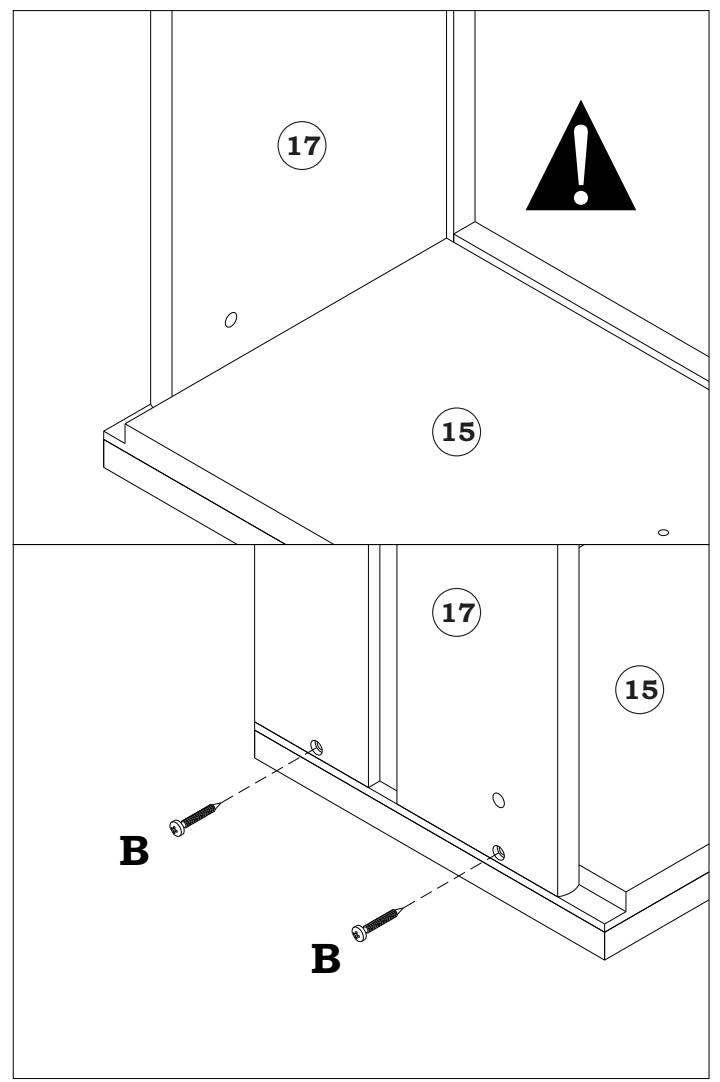
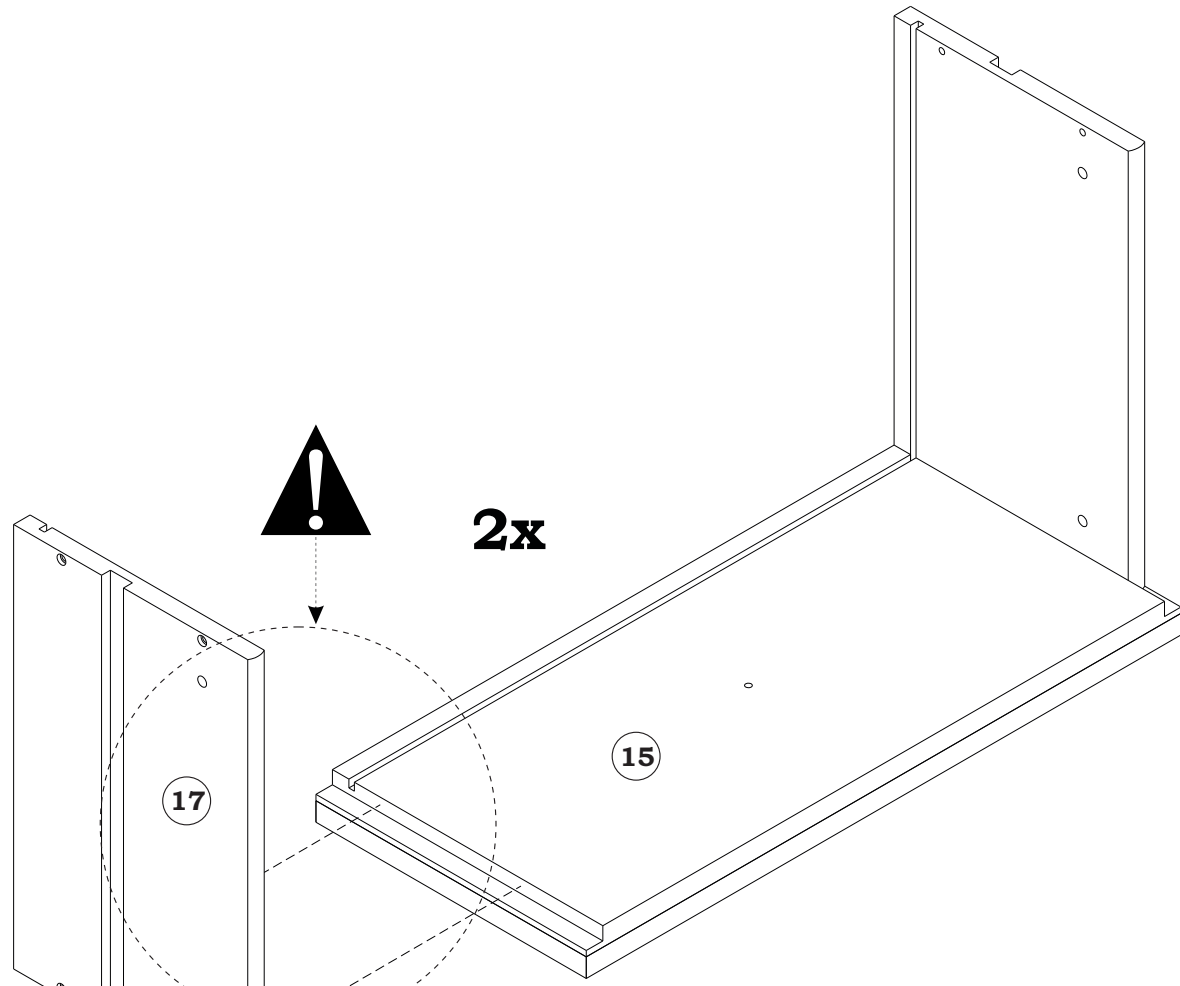


31

B  **04x**
Ø3,5x30mm



2x

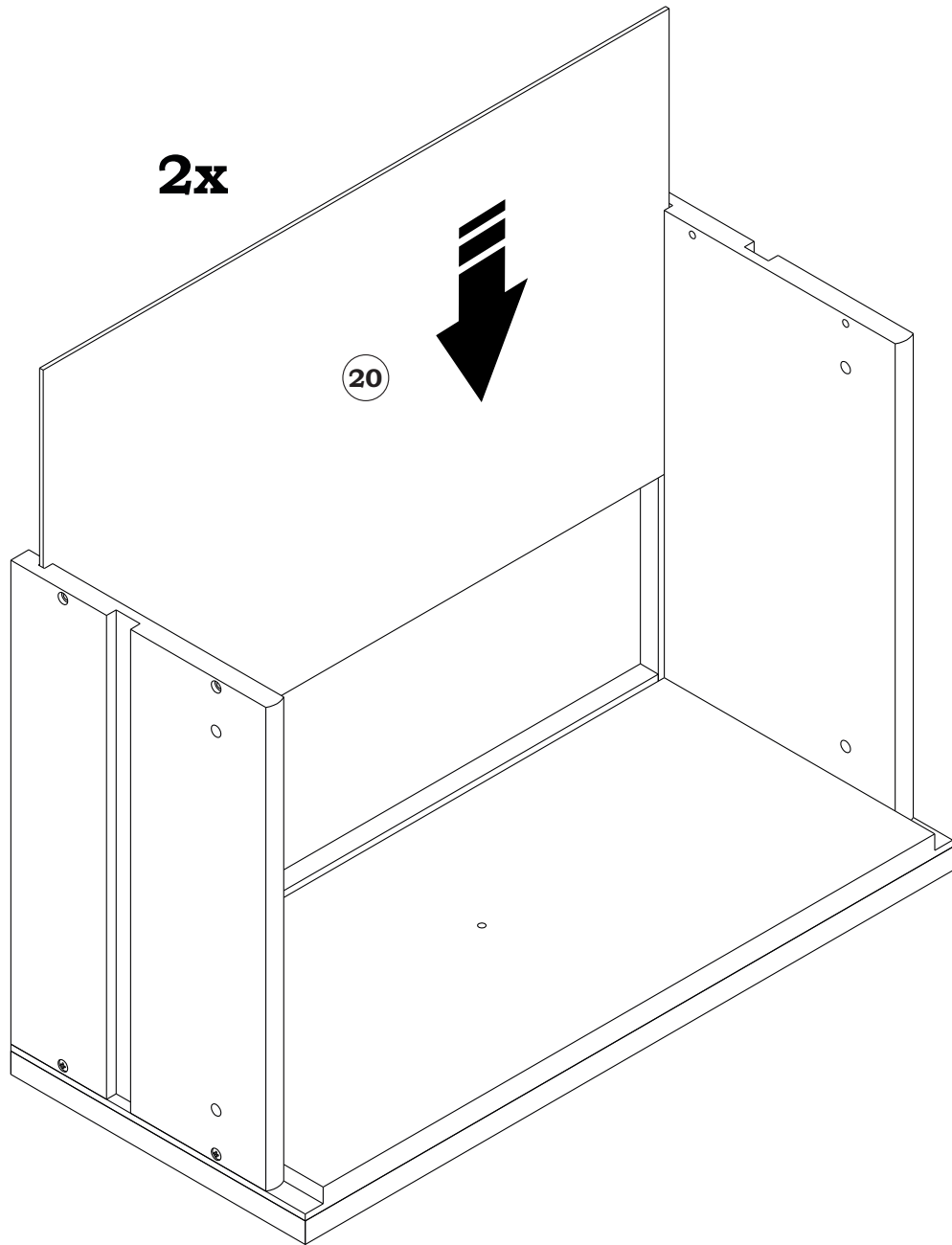


B

B

B

B



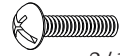
33

E



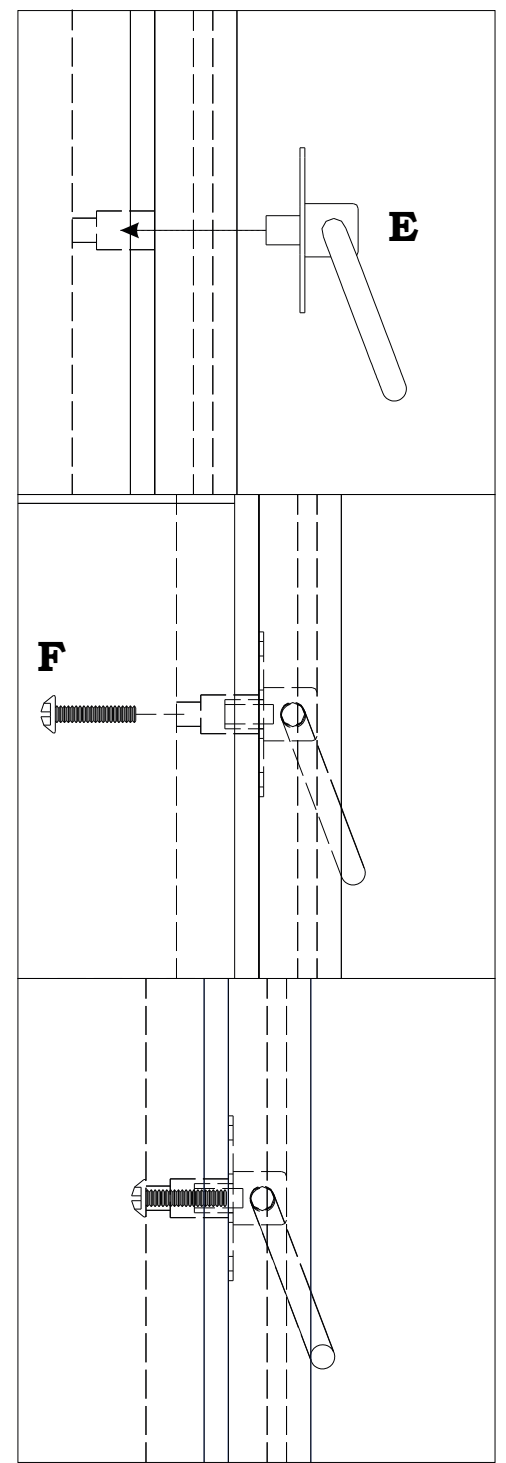
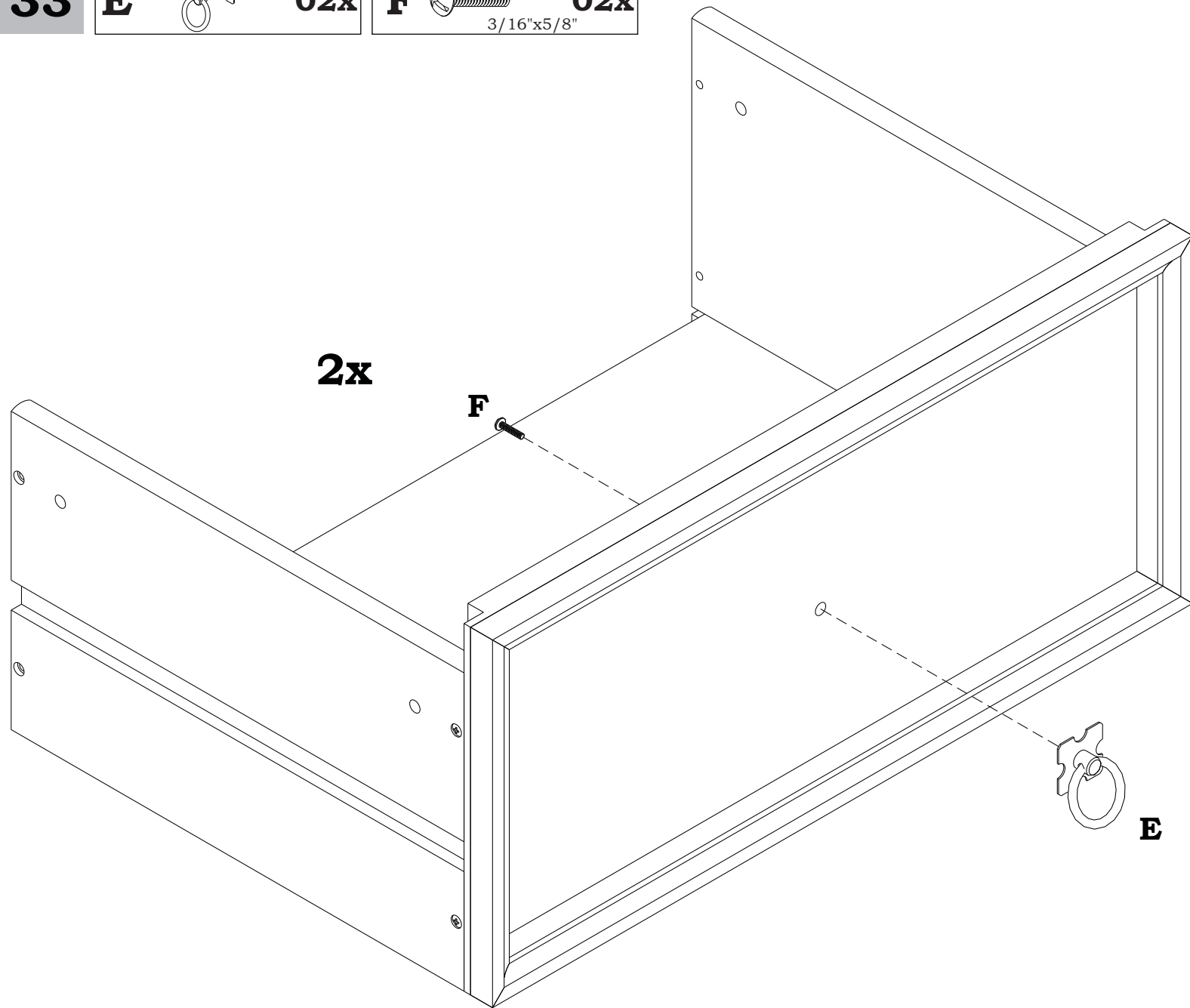
02x

F




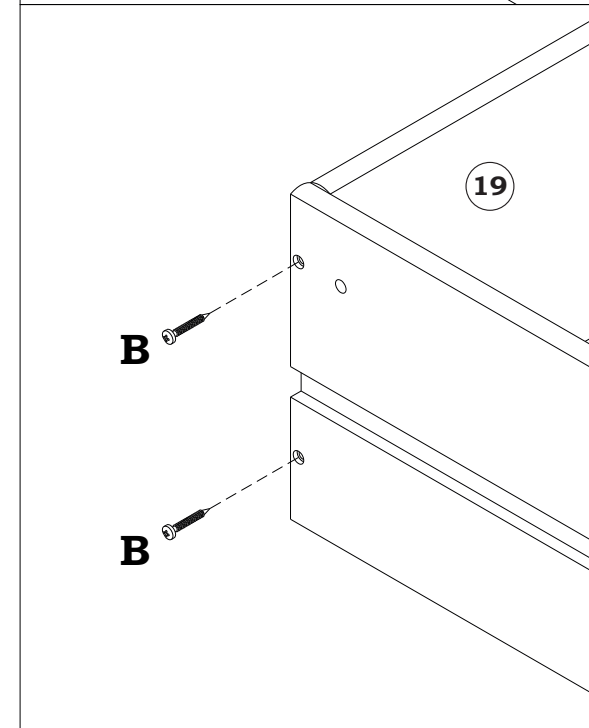
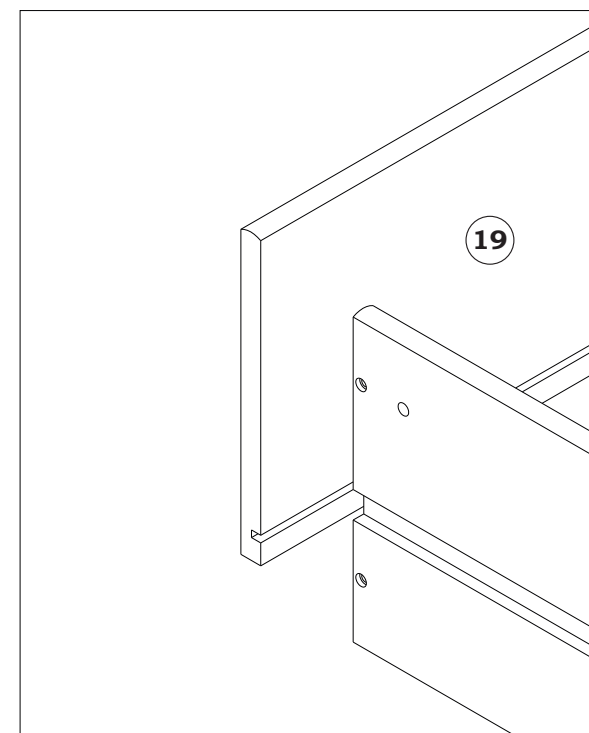
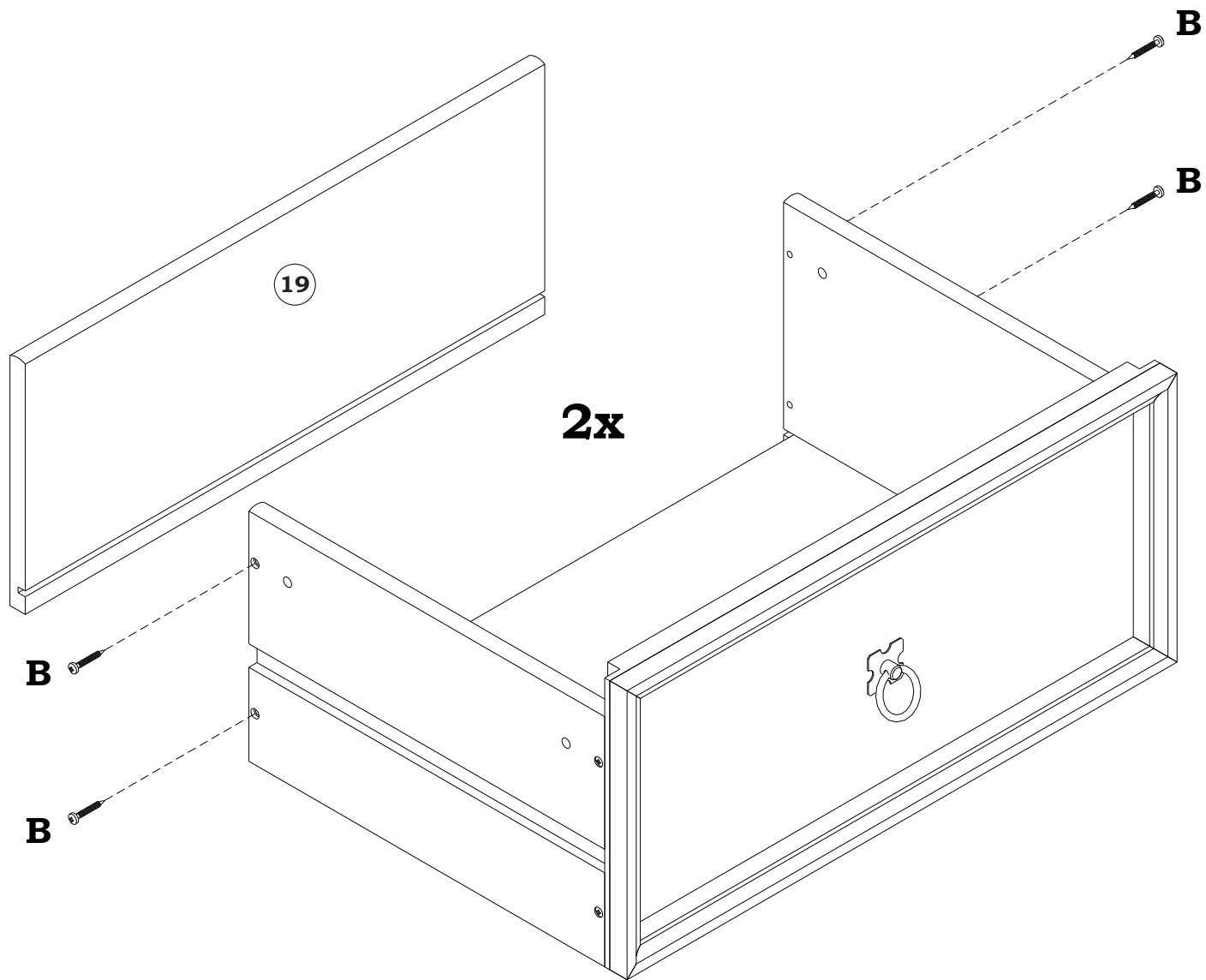
3/16"x5/8"

02x




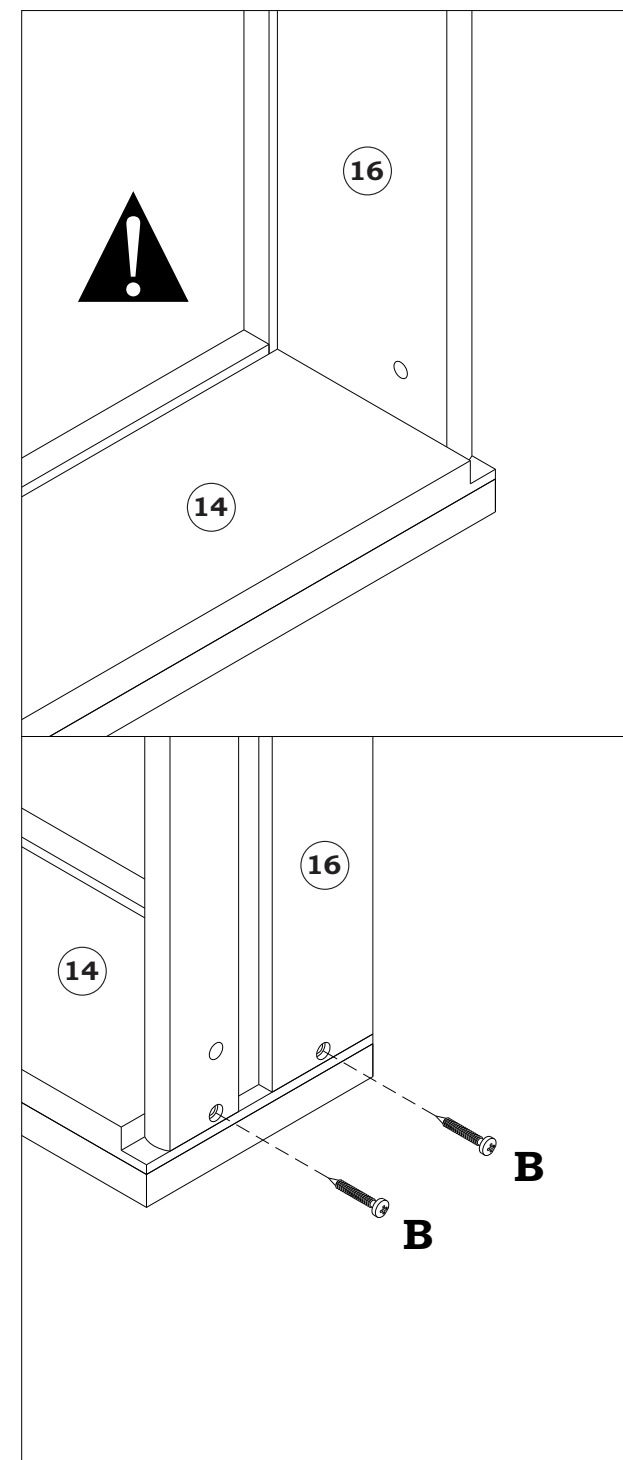
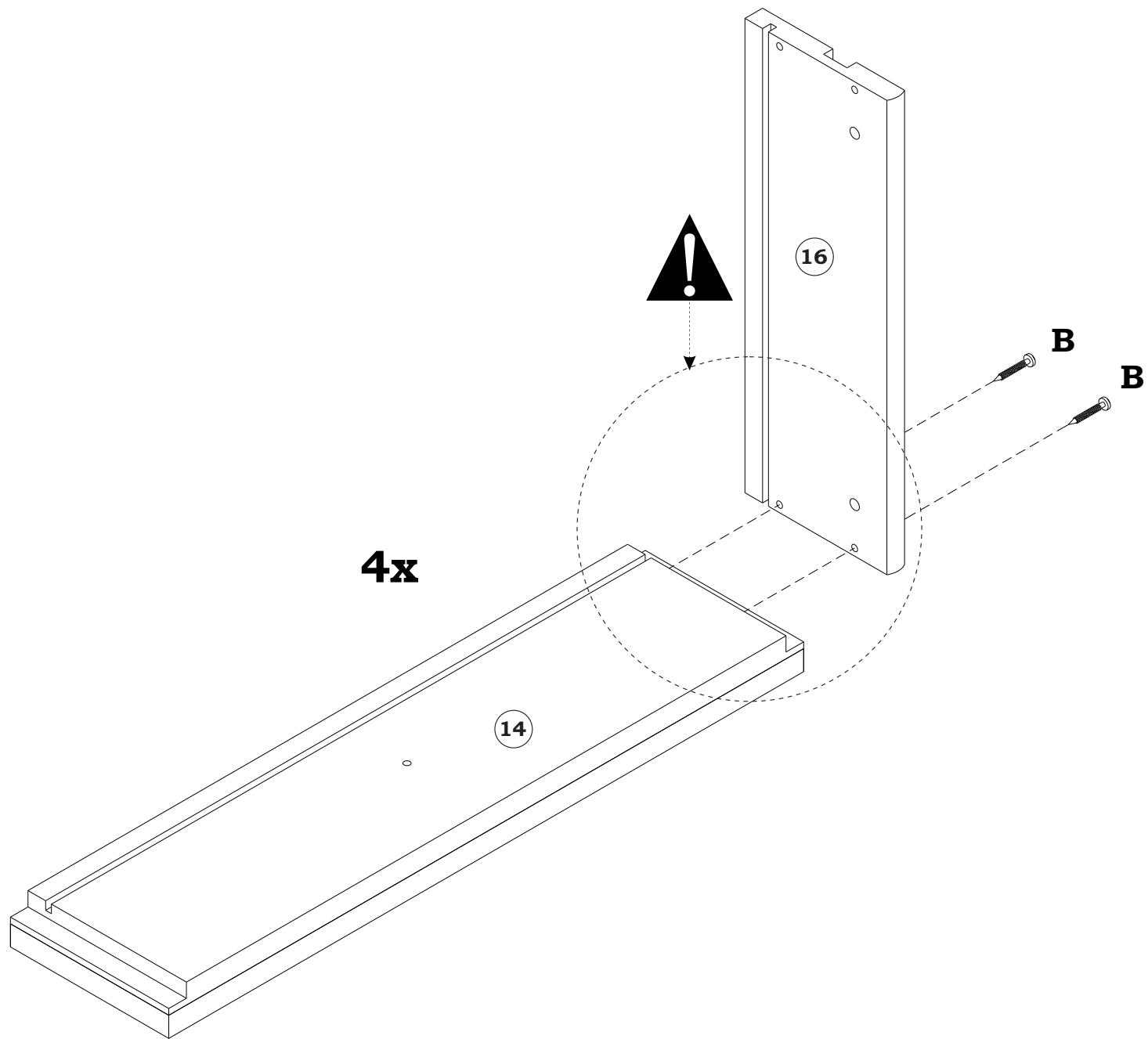
34

B  **08x**
Ø3,5x30mm




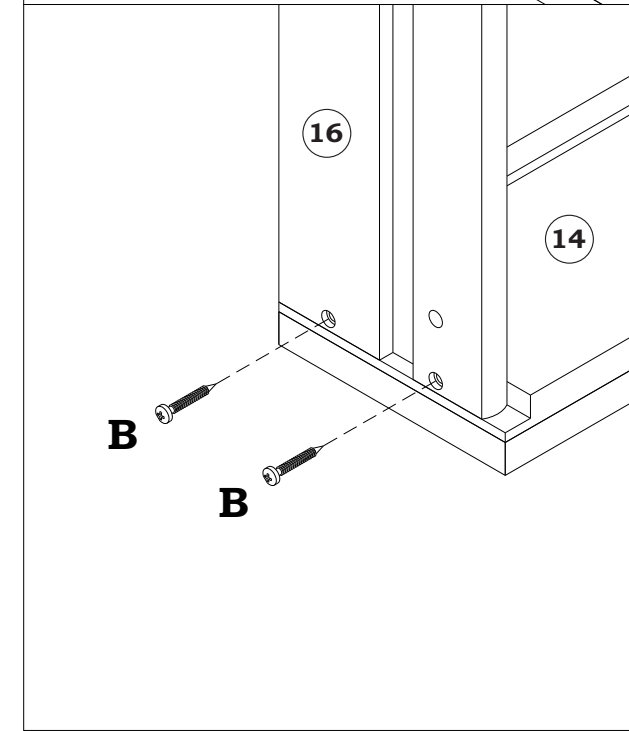
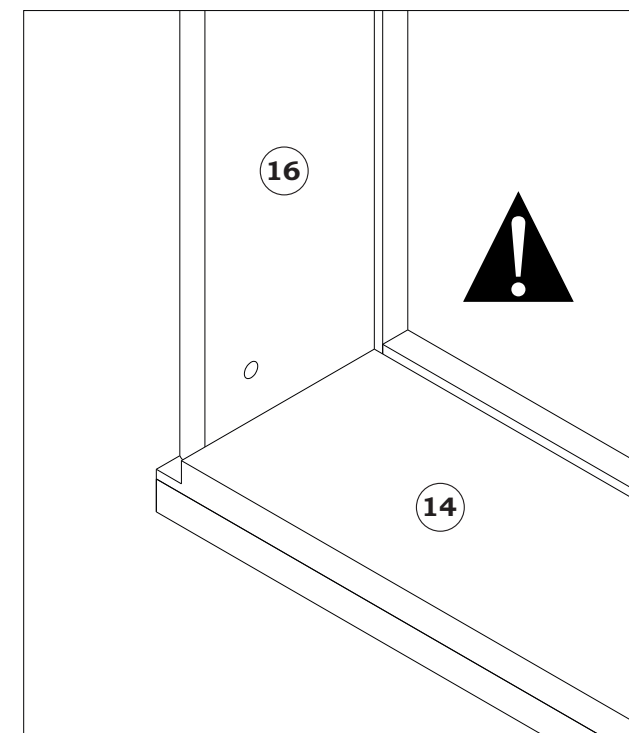
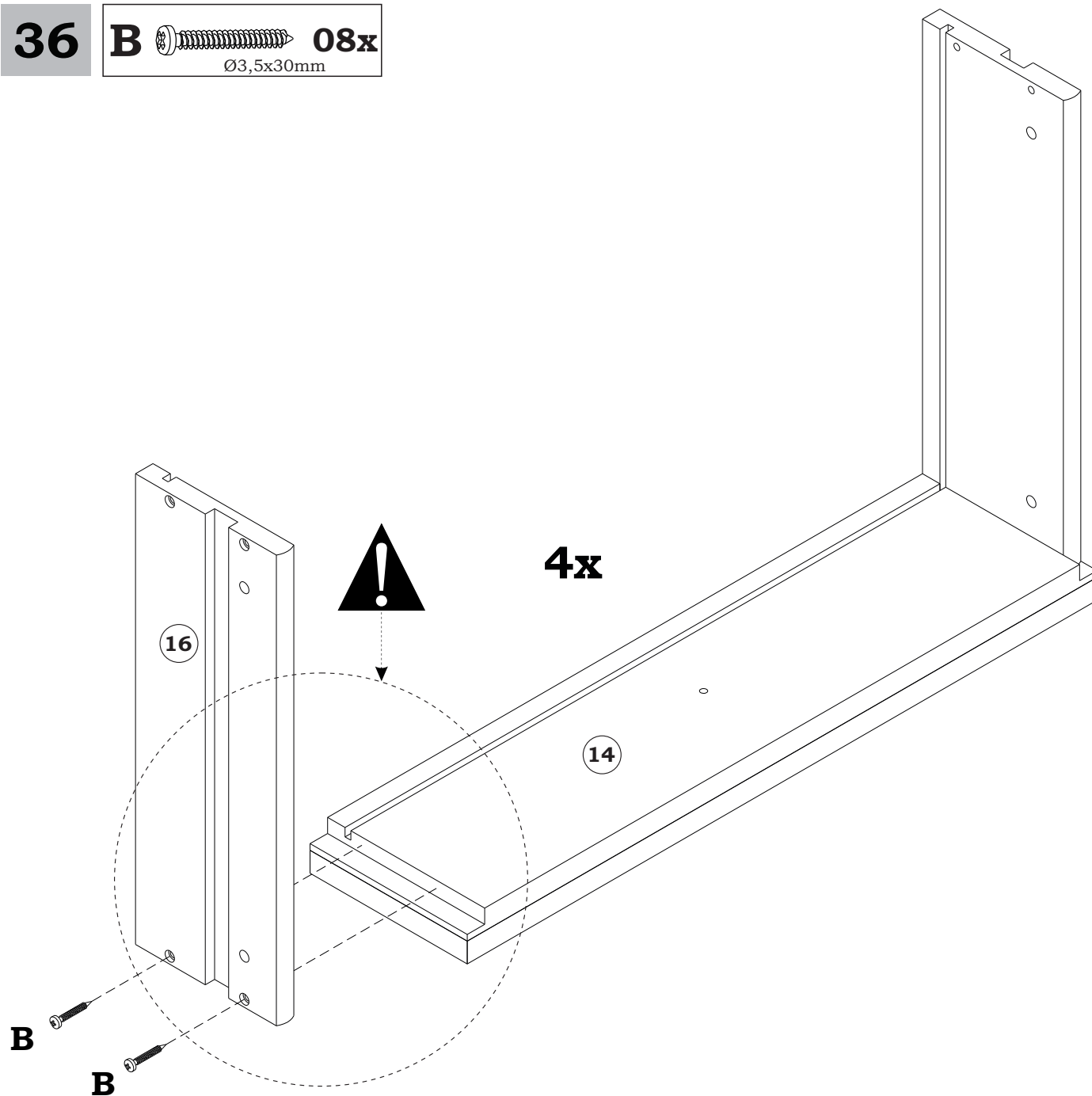
35

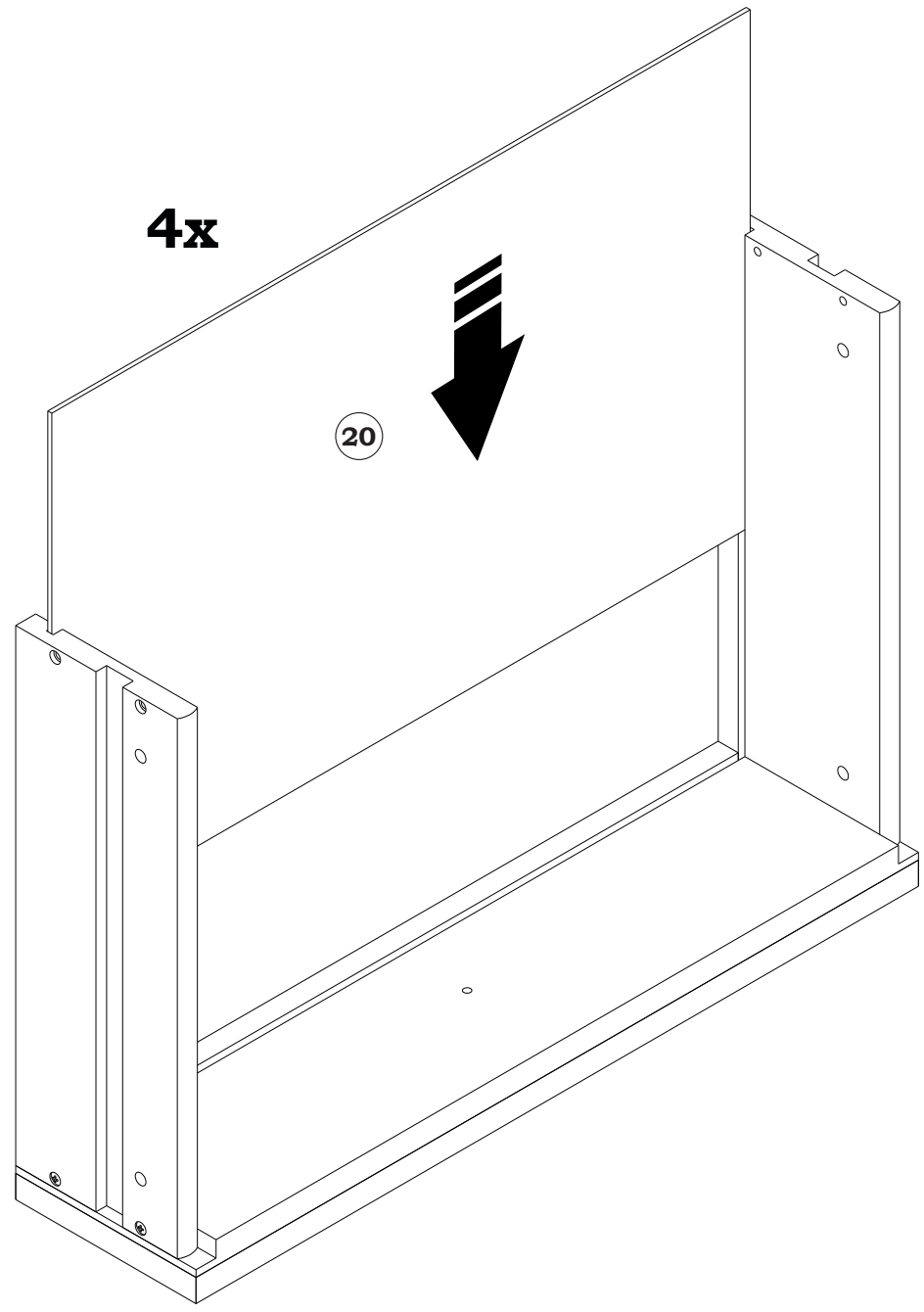
B  **08x**
Ø3,5x30mm



36

B  **08x**
Ø3,5x30mm





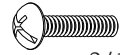
38

E



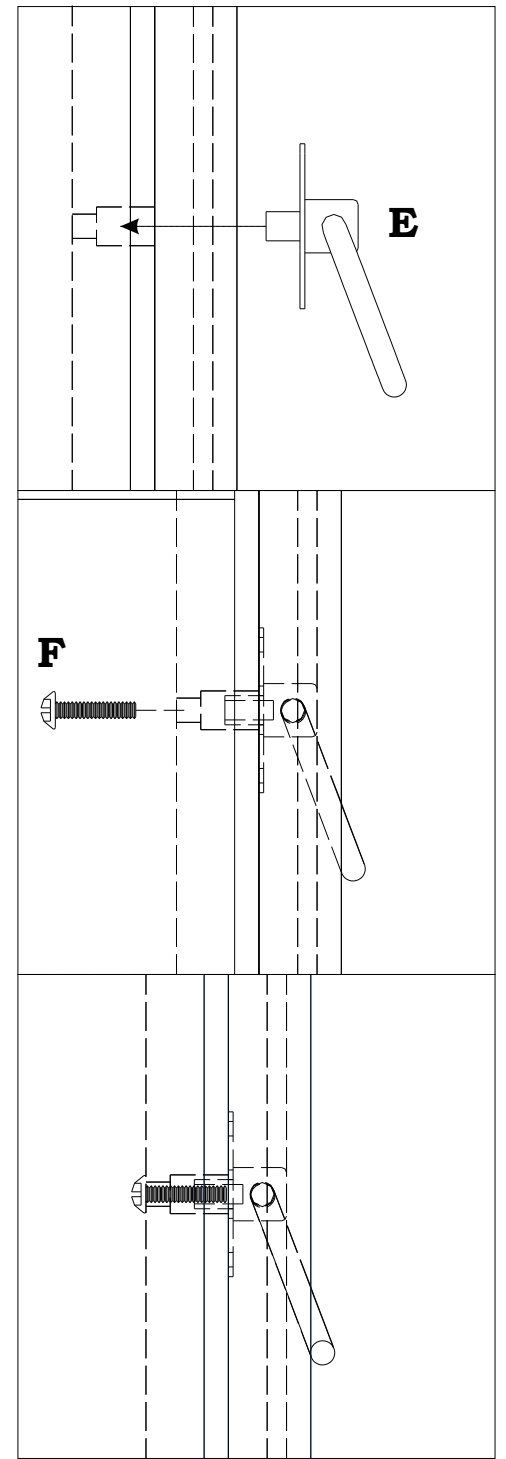
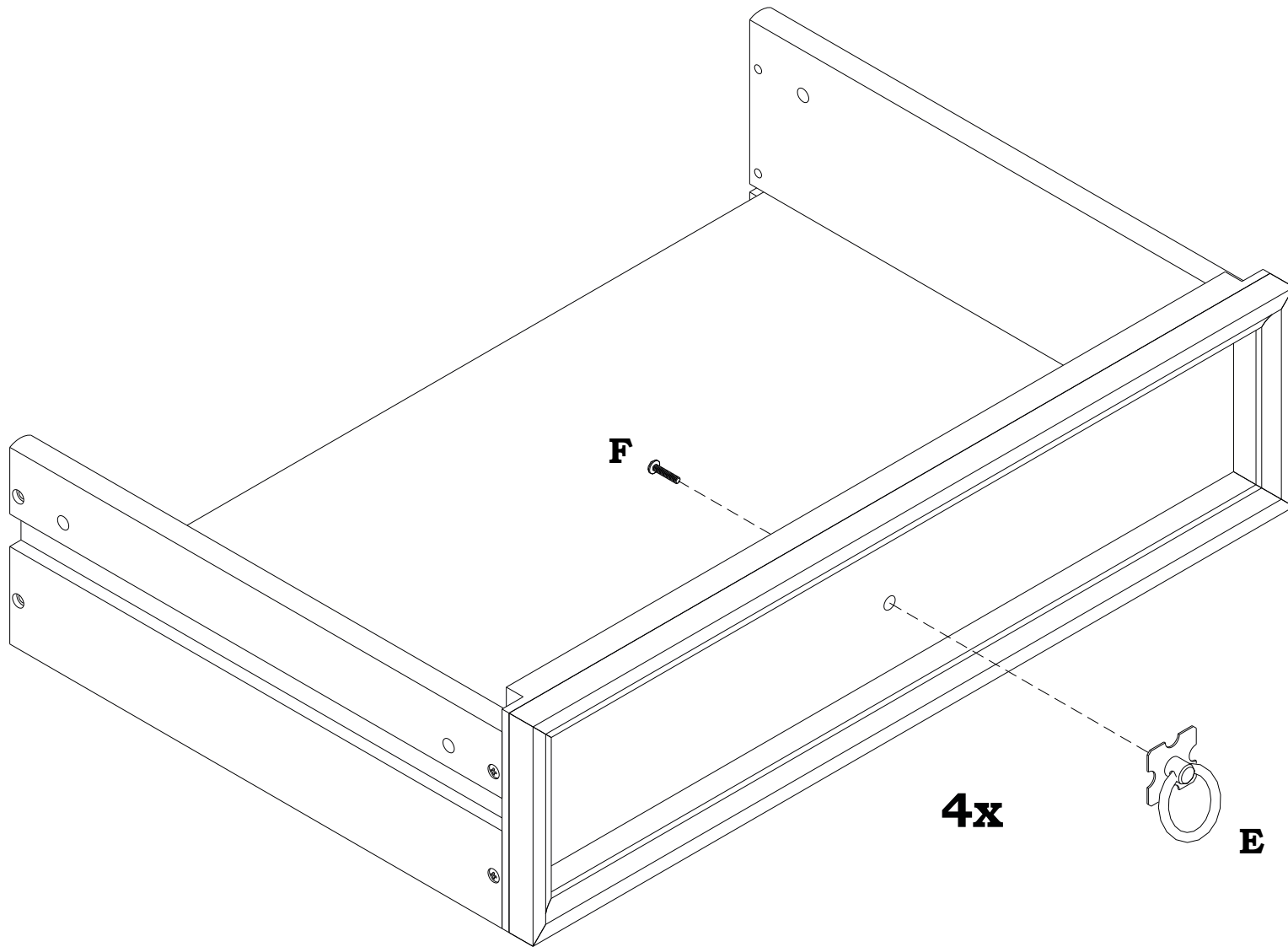
04x

F




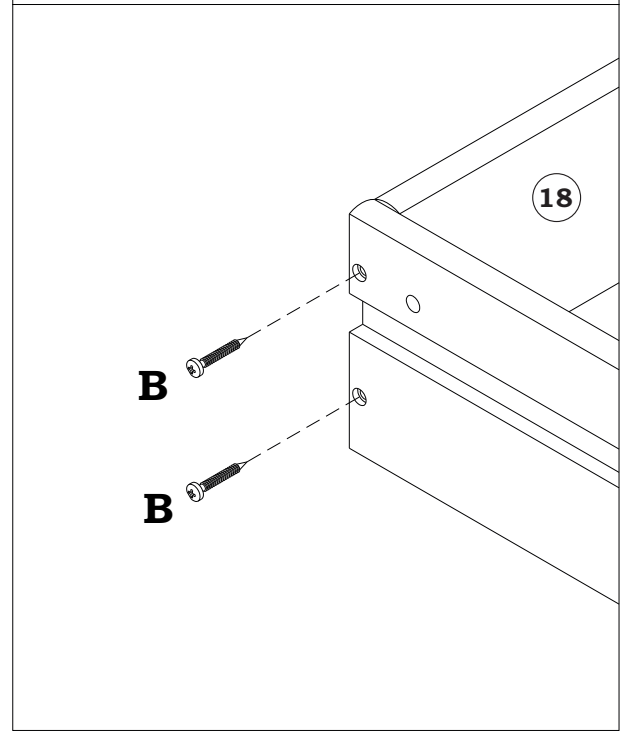
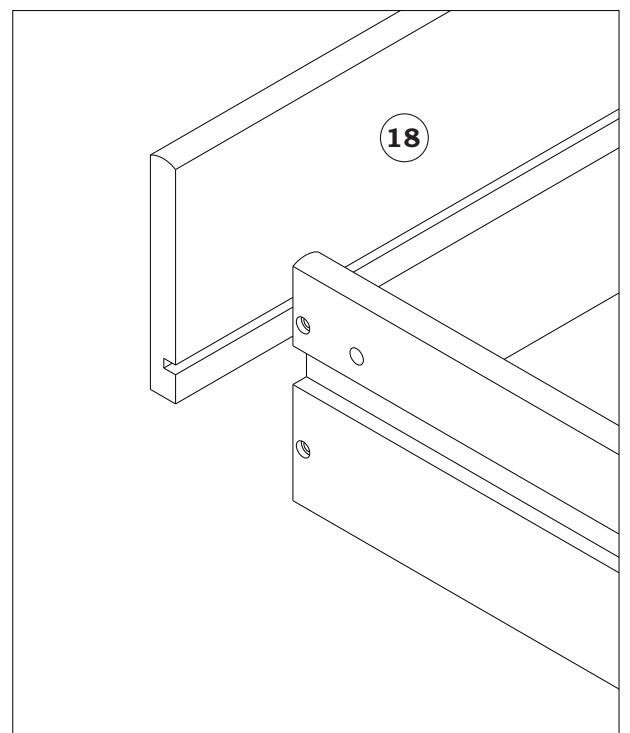
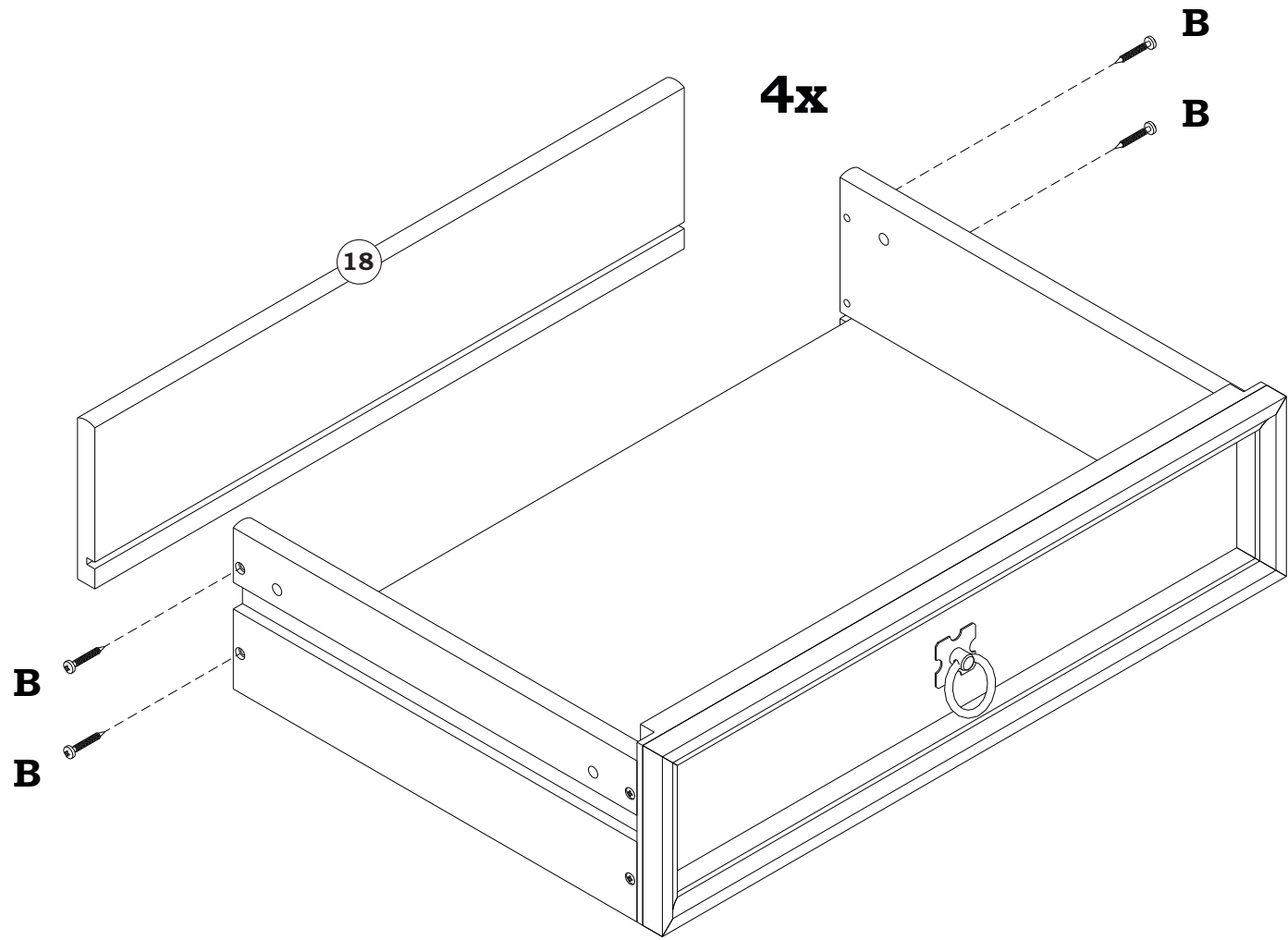
3/16"x5/8"

04x



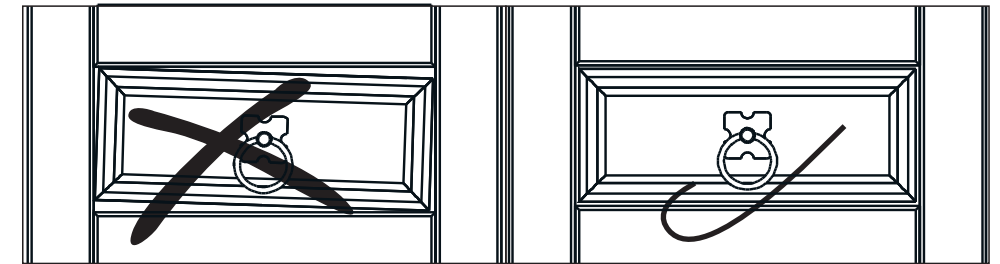
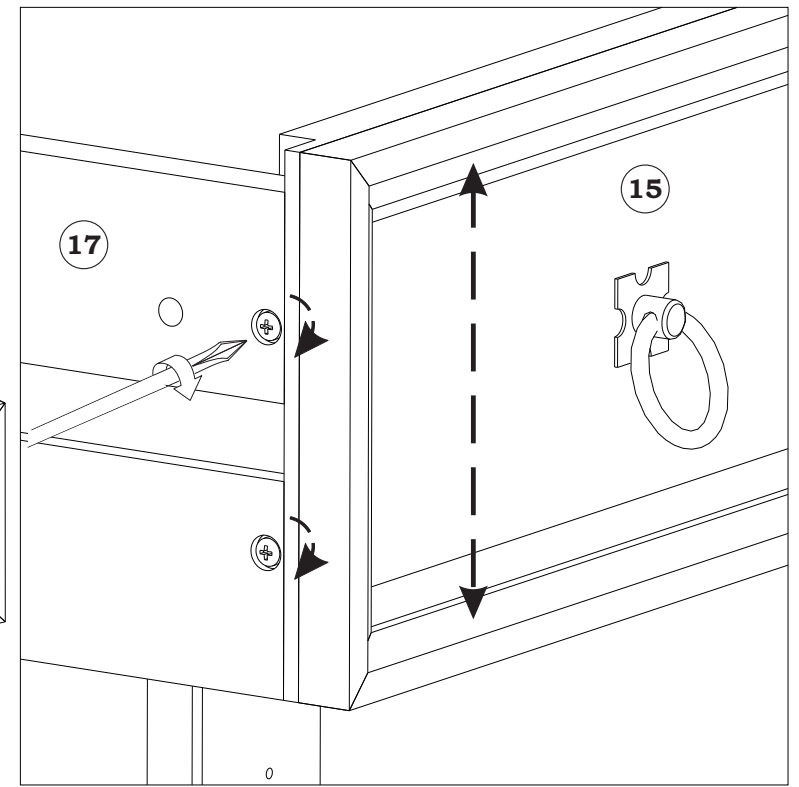
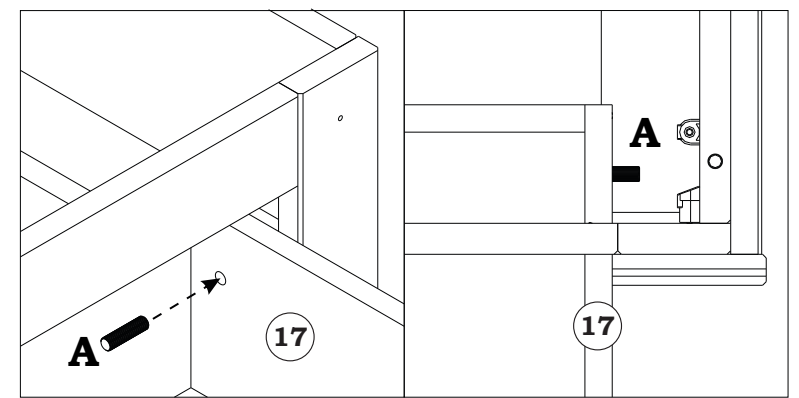
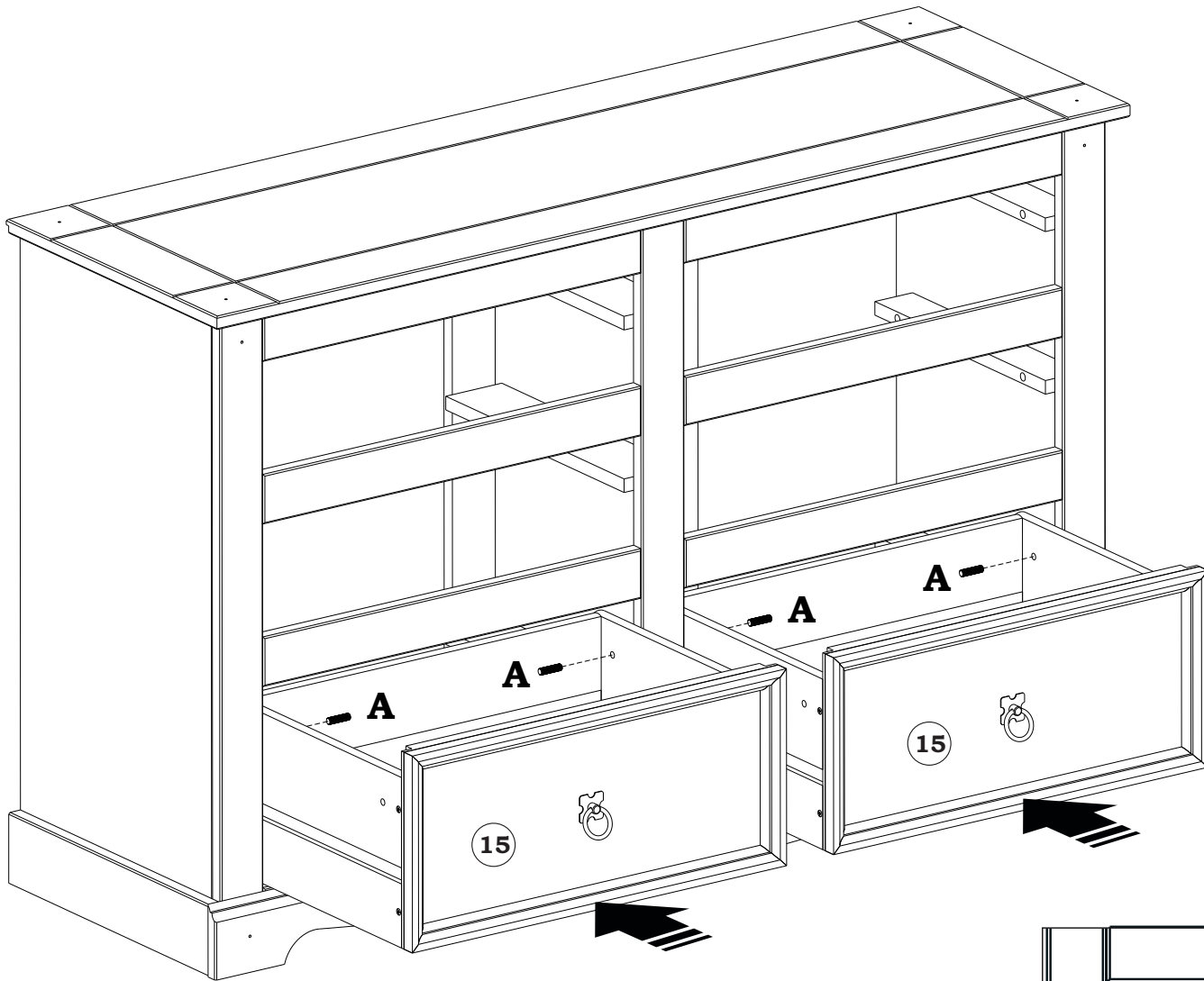
39

B  **16x**
Ø3,5x30mm



40

A  04x
Ø8,0x30mm



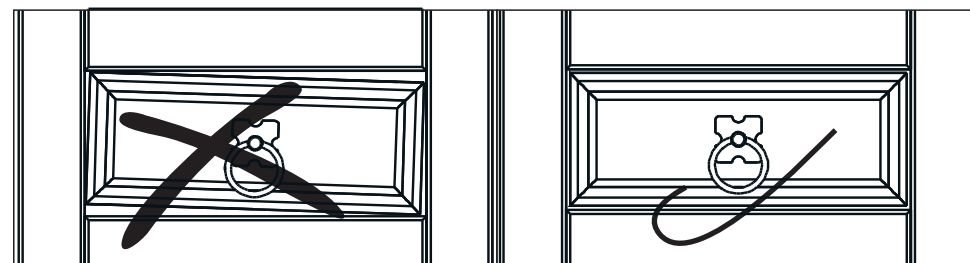
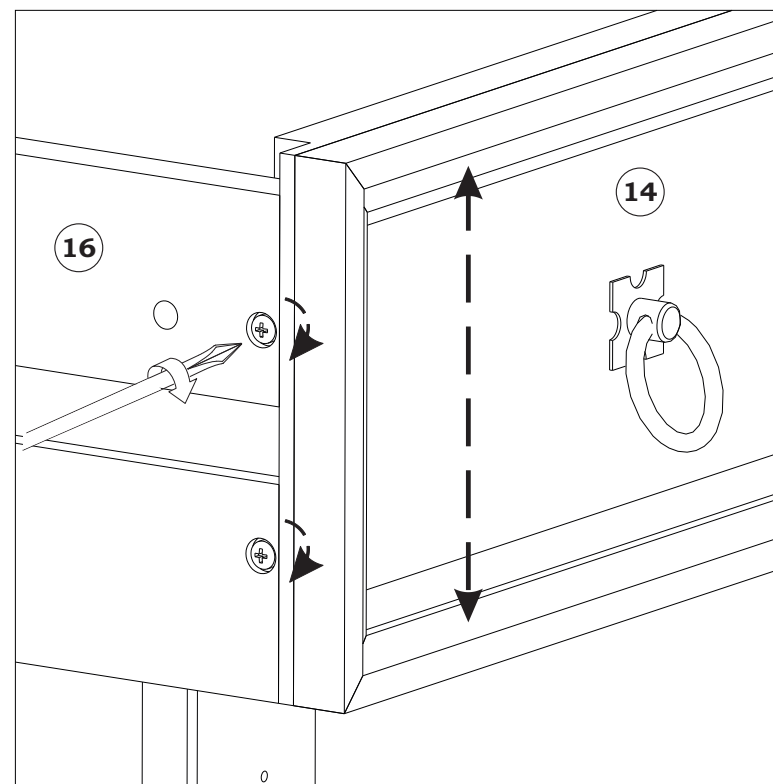
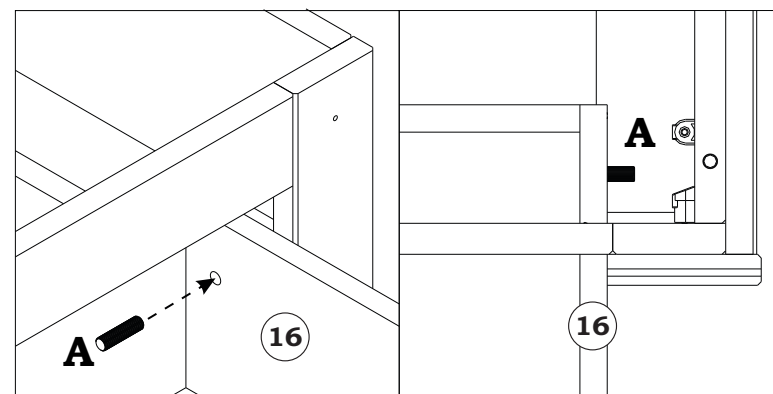
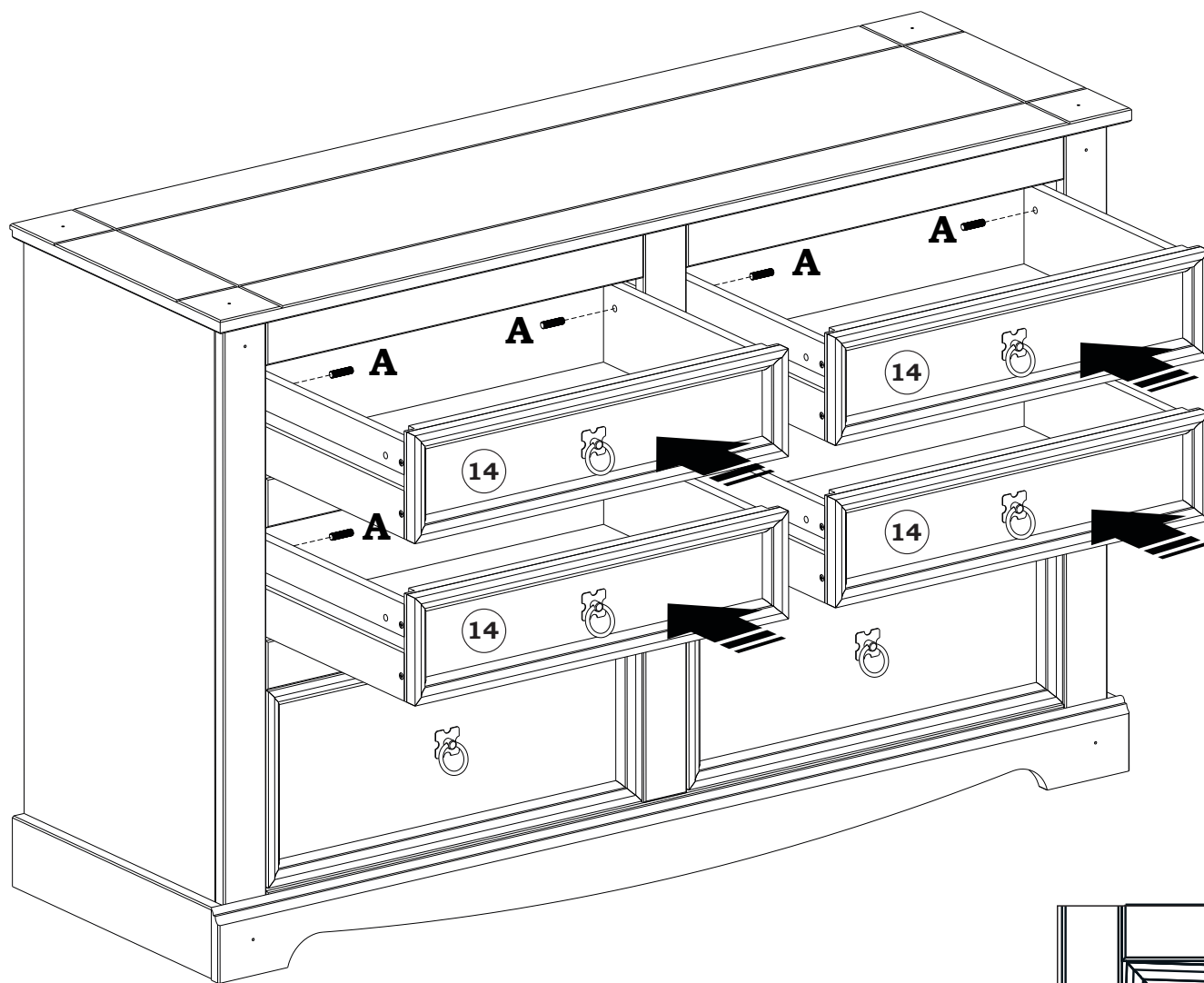
41

A



08x

Ø8,0x30mm

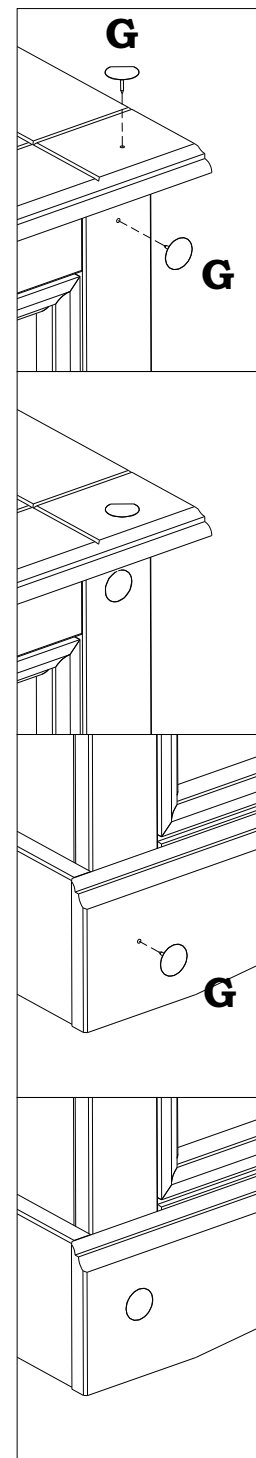
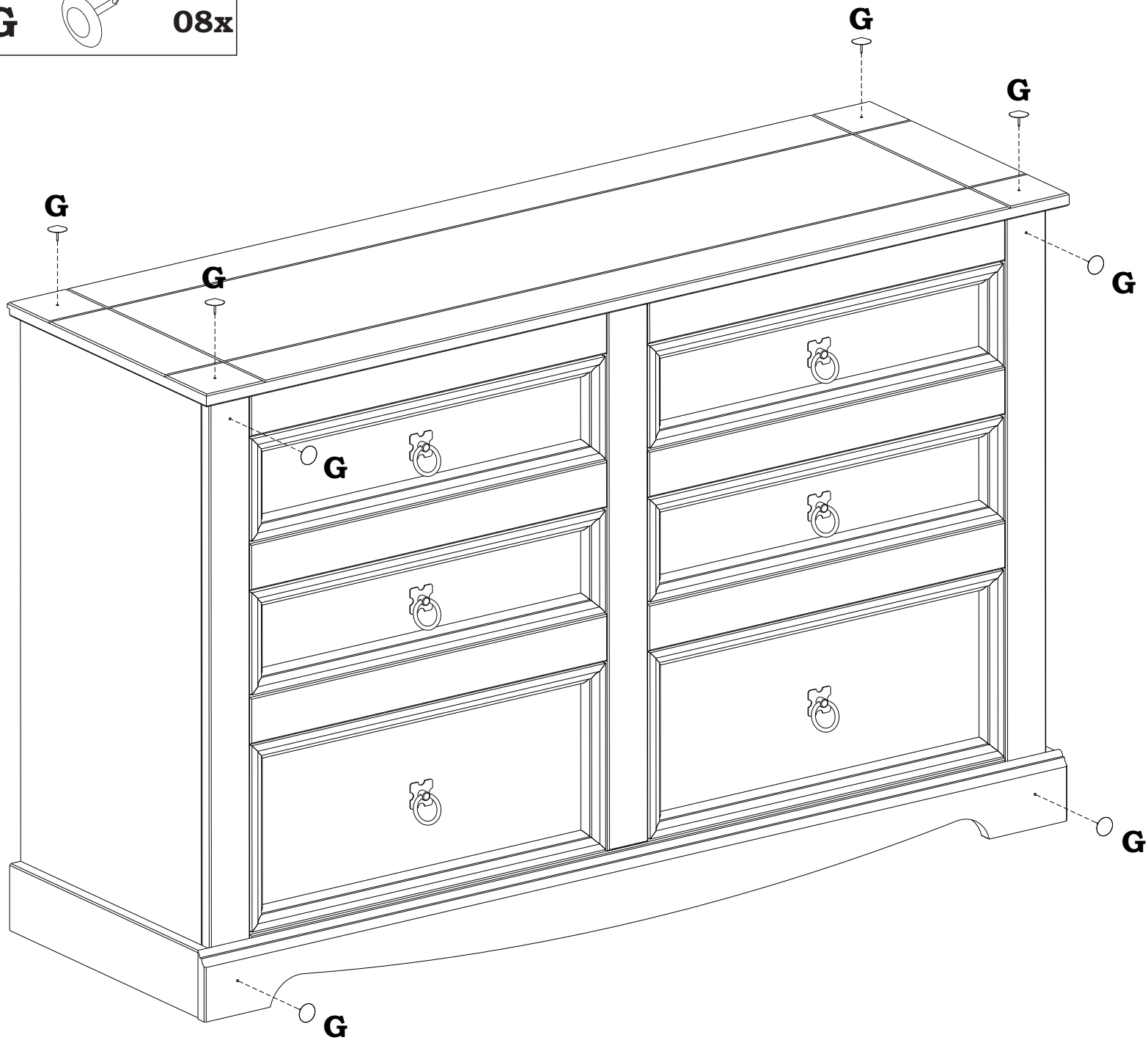


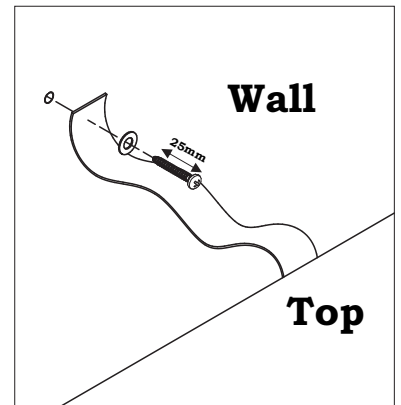
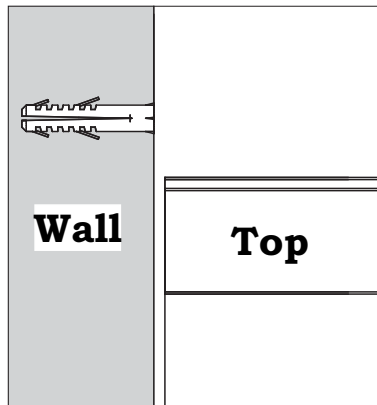
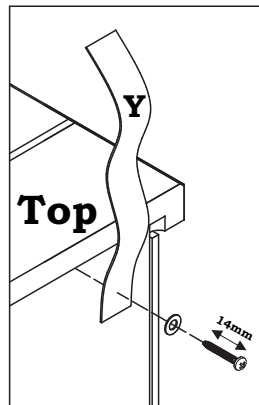
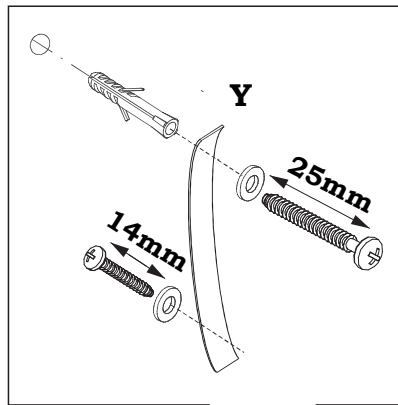
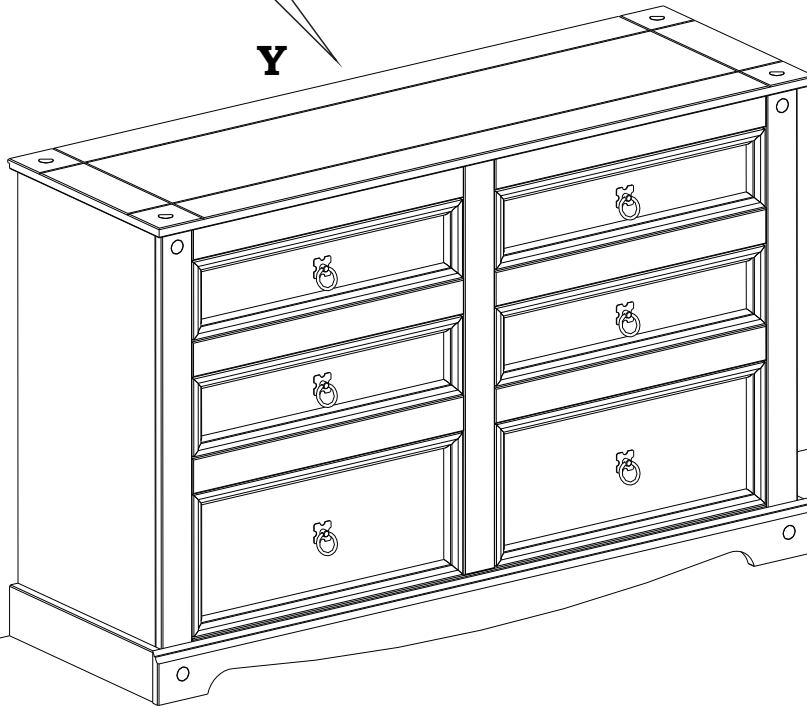
42

G



08x



43**Y****01x****Y**

WARNING: CHECK FOR HIDDEN PIPES AND CABLES BEFORE DRILLING.

IMPORTANT: IF YOUR WALLS ARE NOT SOLID LIKE BRICK OR STONE, YOU WILL REQUIRE SPECIALIST FITTINGS (NOT SUPPLIED).

- Place fixing strip against the wall and mark position for drilling hole.
- Drill hole in your wall to a depth of 30mm using a 6mm drill bit. If the surface of your wall is soft and crumbly, we would advise you to use a 5mm drill bit for a tighter fit.
- Insert the wall plug into the hole with end flush to the wall surface.
- Attach fixing strip to the wall using the 25mm screw + washer and securely tighten.
- Pre-drill small pilot hole on the back edge of the furniture top using a 2mm drill bit. Attach the other end of fixing strip to the back edge of the furniture top using the 14mm screw + washer and securely tighten.