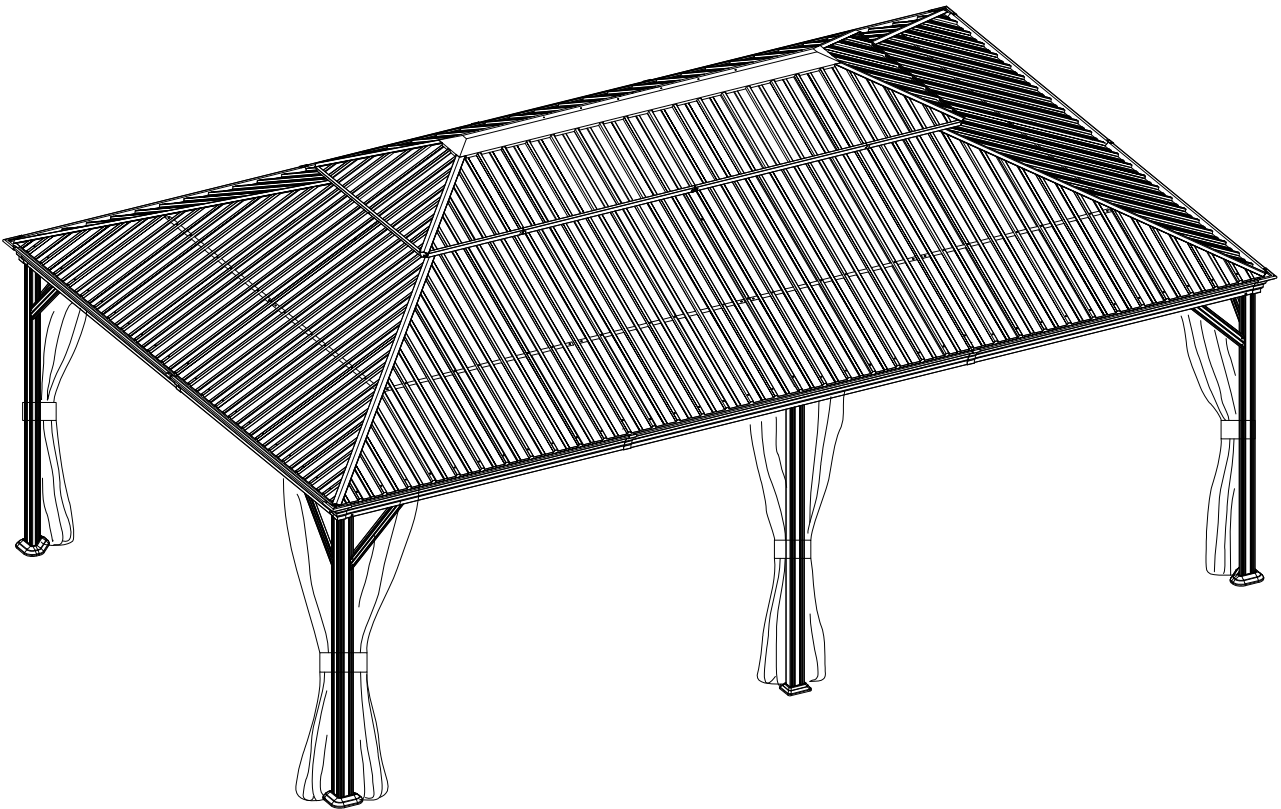




14'x20' Metal Patio Gazebo

ASSEMBLY MANUAL



MODEL#: LGMF1690

Missing part? Damaged? Contact us via email at

service@domioutdoorliving.com

www.domioutdoorliving.com

Pre-assembly



1. Two or more people are required for assembly.



2. You will need one or more stepladders.



3. Wearing protective gloves is recommended.



4. You may need a safety hat.



5. Please use a Phillips screw driver.



6. For ease of construction, you may need a drill.



7. You may need a safety goggle.



8. Do not fully tighten screws prior to complete assembly.

Warning & Attention

-Try to assemble this product on the flat ground, otherwise it is difficult to carry out;

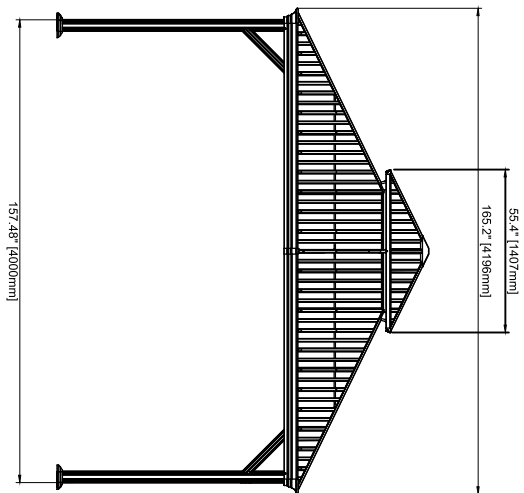
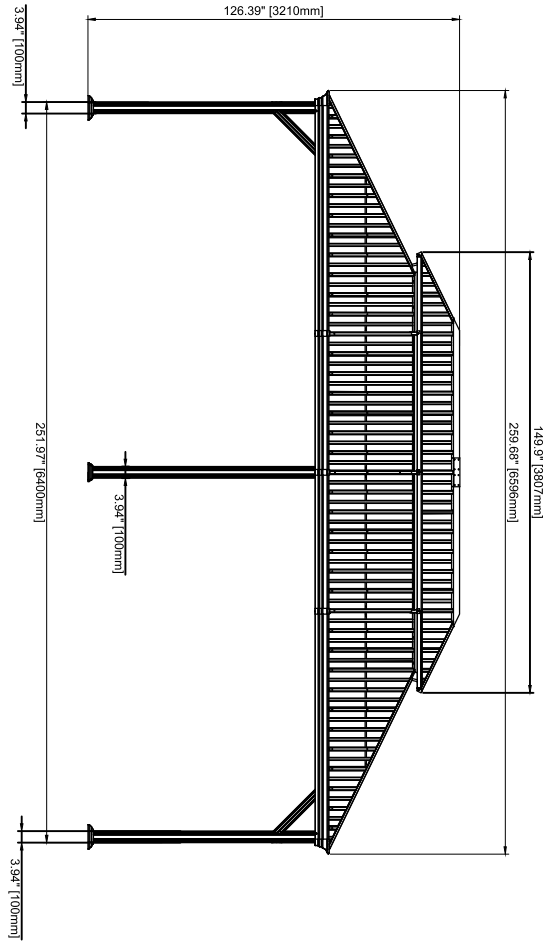
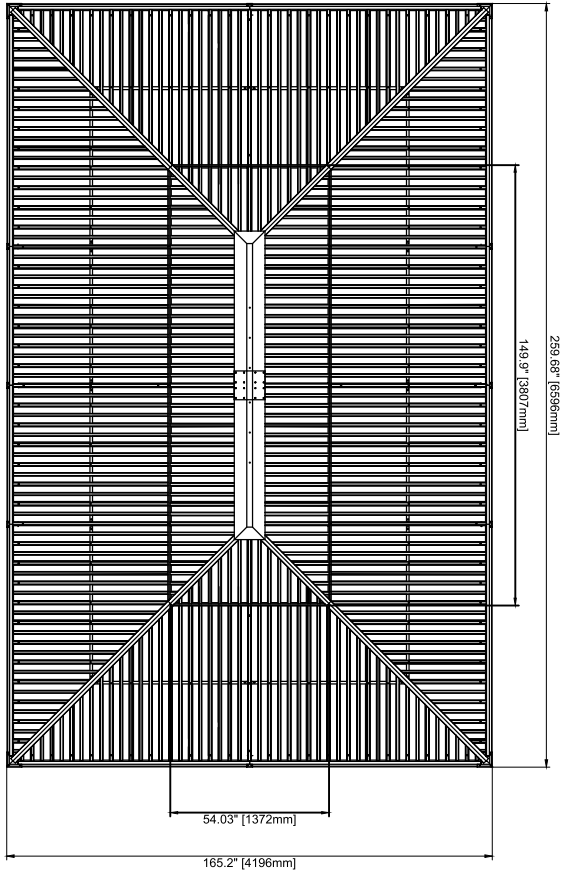
-It would be much easier to assemble the product with three or more people;

-After assembly, please check whether all screws are tightened, to prevent parts from falling apart.

▲ Use bolts to secure the frame to the ground to against the strong wind.

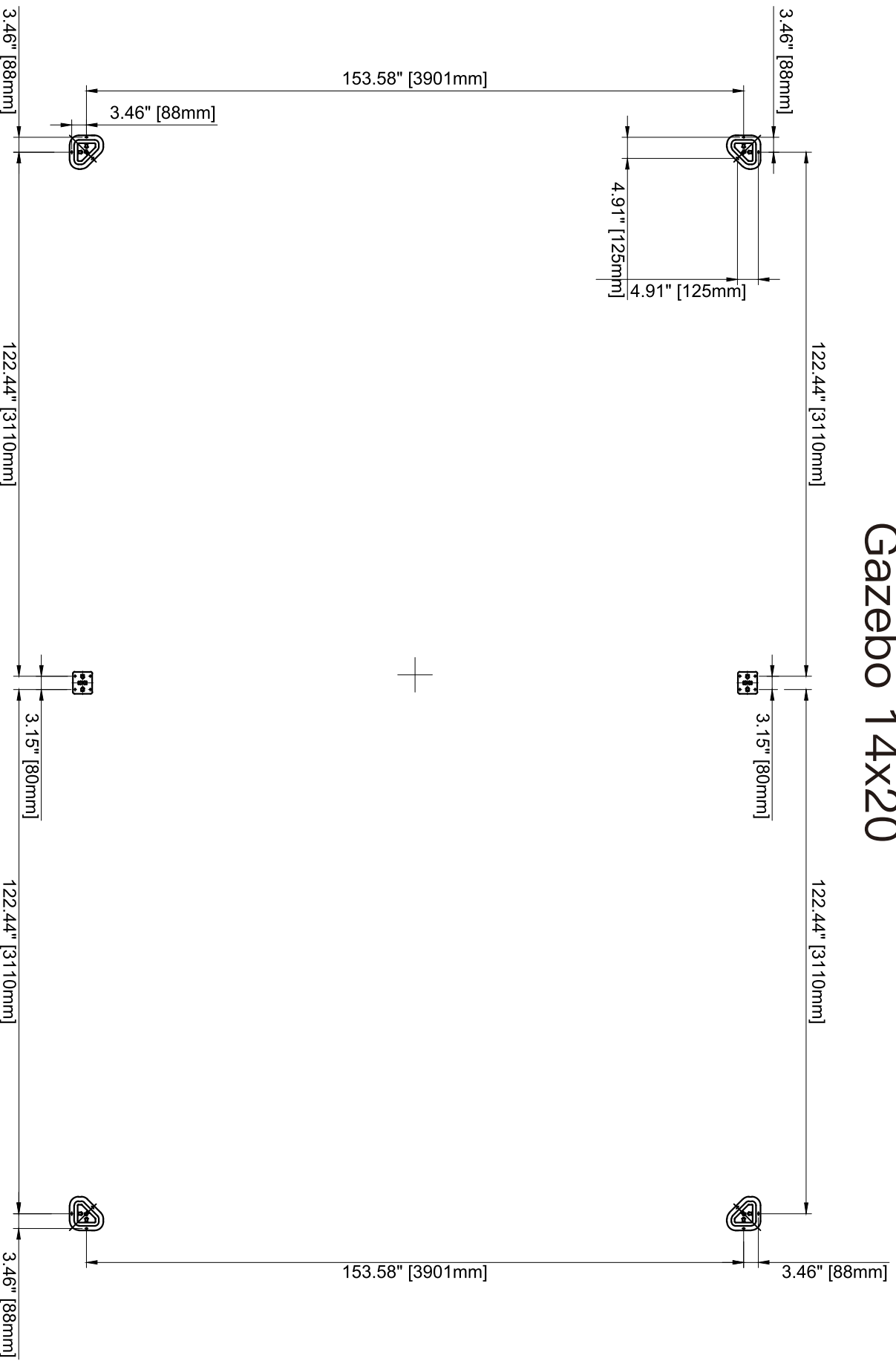
IMPORTANT: A gaze may entail to purchase a municipal permit or be subject to specific building codes. It is the consumer's responsibility to inform themselves of any restrictions.

SIZE

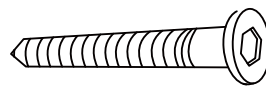
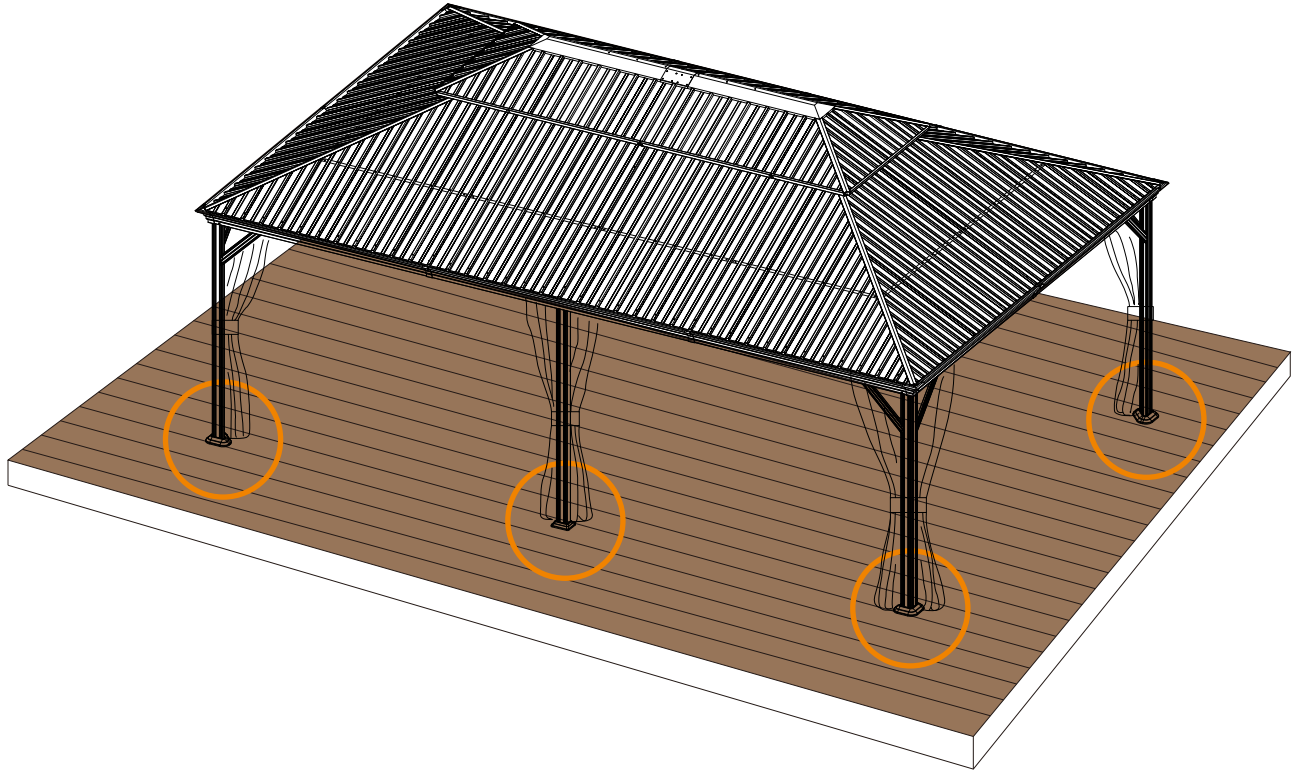


MOUNTING BLUEPRINT

Gazebo 14x20

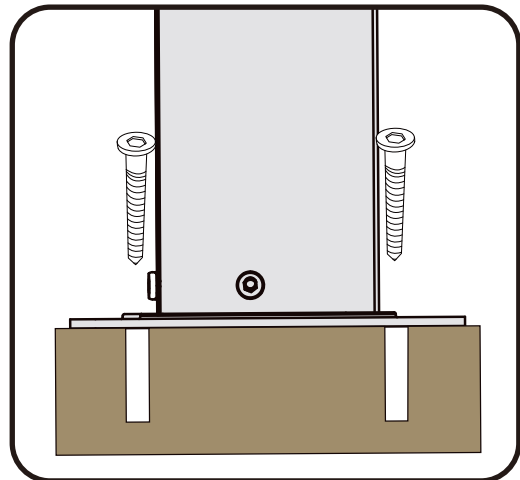
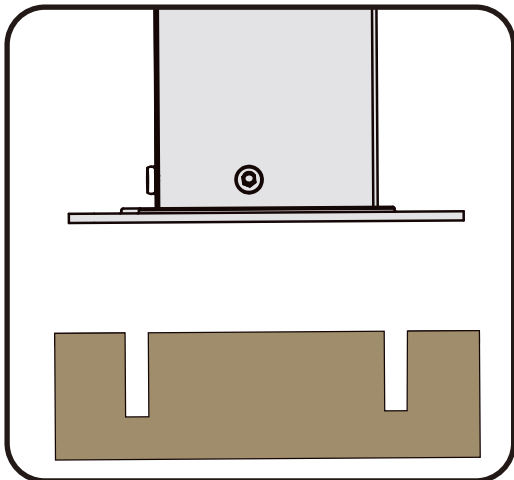


1

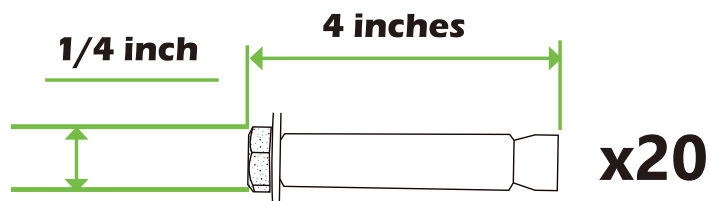
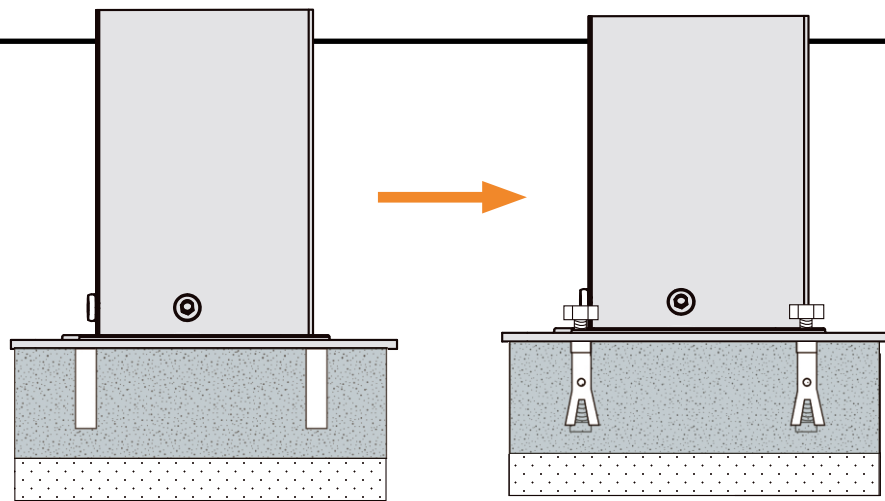


x20

If the deck is hard wood and the depth of it is over 3 inch, you can use **5/16 in. x4 in. Structural Wood Screw** to mount the gazebo.

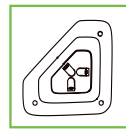
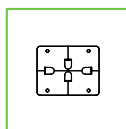
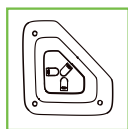
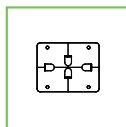
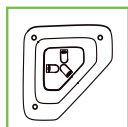


2



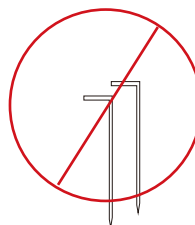
If the ground is concreted and the depth of it is over 3 inch, you can use 1/4 inch expansion bolts to mount the gazebo

3



Or you can make a concrete footing for gazebo, **15×15×15 inches** is recommended. use expansion bolts to mount the pergola like ② shows.

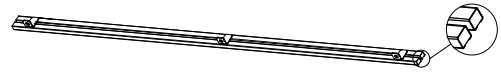
IMPORTANT:
Anchor is not recommended





Pole

A (x4)



Sidewall Track

D2 (x2)



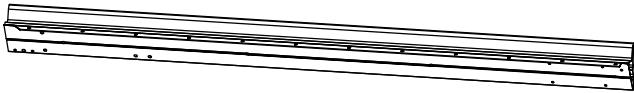
Pole

B (x2)



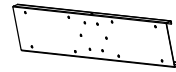
Sidewall Track

D3 (x2)



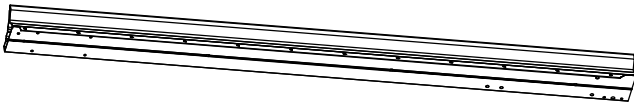
Beam

C1 (x2)



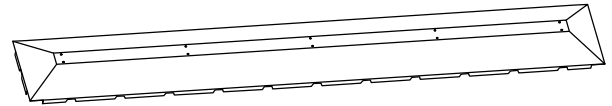
Union Bar

E (x6)



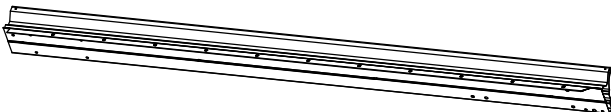
Beam

C2 (x2)



Outside Roof Cover

E1 (x1)



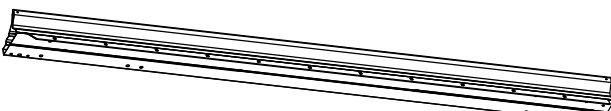
Beam

C3 (x2)

Corner Cover



F (x4)



Beam

C4 (x2)

Joint Cover



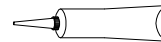
G (x6)



Beam

C5 (x2)

Silicone Sealant



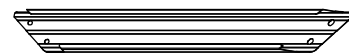
H (x1)



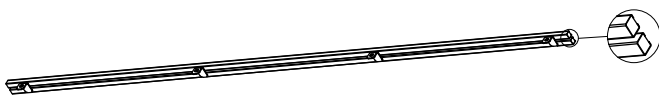
Sidewall Track

D (x4)

Corner Solidifying Bar



I1 (x4)



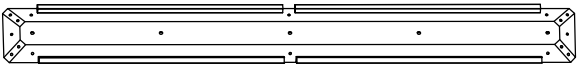



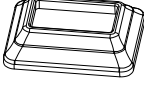


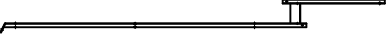
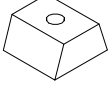
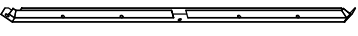
Sidewall Track

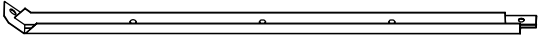
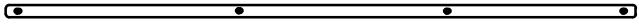
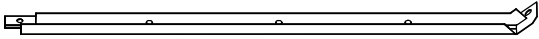
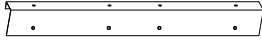

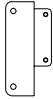


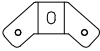


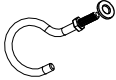


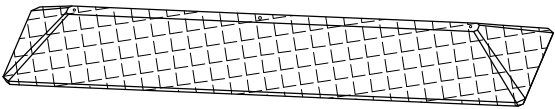
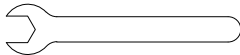

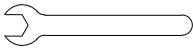
D1 (x4)

Corner Solidifying Bar



I2 (x4)

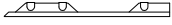
 <p>Inside Roof Cover</p> <p>J (x1)</p>	 <p>Middle Roof Tube</p> <p>N1 (x4)</p>
 <p>Base</p> <p>K (x4)</p>	 <p>Middle Roof Tube</p> <p>N2 (x2)</p>
 <p>Base Cover</p> <p>K1 (x4)</p>	 <p>Finishing Bar</p> <p>P (x2)</p>
 <p>Bracket</p> <p>K2 (x8)</p>	 <p>Finishing Bar</p> <p>L1 (x2)</p>
 <p>Base</p> <p>K3 (x2)</p>	 <p>Finishing Bar</p> <p>L2 (x2)</p>
 <p>Base Cover</p> <p>K4 (x2)</p>	 <p>Finishing End</p> <p>Q (x8)</p>
 <p>Corner Roof Tube Connector</p> <p>M (x4)</p>  <p>Corner Roof Tube</p> <p>M1 (x4)</p> <p>Ma x4</p>	 <p>Finishing End</p> <p>Q1 (x2)</p>
 <p>Middle Roof Tube</p> <p>N (x2)</p>	 <p>Black Rubber</p> <p>S (x172)</p>  <p>Finishing Bar</p> <p>T (x2)</p>

 <p>Finishing Bar T1 (x2)</p>	 <p>Plastic Bar O3 (x4)</p>
 <p>Finishing Bar T2 (x2)</p>	 <p>Middle Support Tube Connector O4 (x2)</p>
 <p>Solidfying Bar U1 (x4)</p>	 <p>Bracket O5 (x2)</p>
 <p>Solidfying Bar U2 (x4)</p>	 <p>Middle Support Tube O6 (x2)</p>
 <p>Bracket U3 (x4)</p>	 <p>Solidfying Bar O7 (x3)</p>
 <p>Bracket U4 (x8)</p>	 <p>Hooks R1 (x3)</p>
 <p>Solidfying Bar U5 (x4)</p>	 <p>Allen Key x1</p>
 <p>Mesh O (x1)</p>	 <p>Wrench x1</p>
 <p>Plastic Bar O1 (x2)</p>	 <p>Wrench x1</p>

Plastic Clips



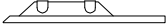
Z (x84)



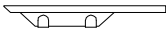
Z1 (x8)



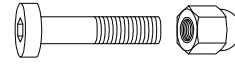
Z2 (x8)



Z3 (x2)

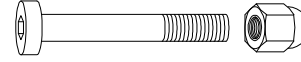


Z4 (x2)



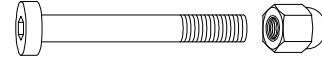
M6x28

5#
x104



M6x45

6#
x12



M6x50

7#
x52



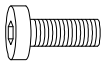
M5x16

8#
x6



ST4.8 x13

9#
x28



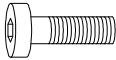
M6x16

1#
x287



M6x25

10#
x4



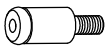
M6x20

2#
x36

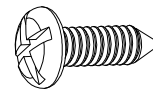


M6x12

11#
x12

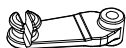


3#
x16



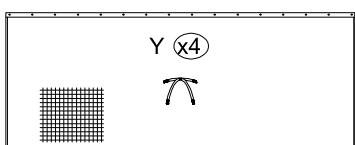
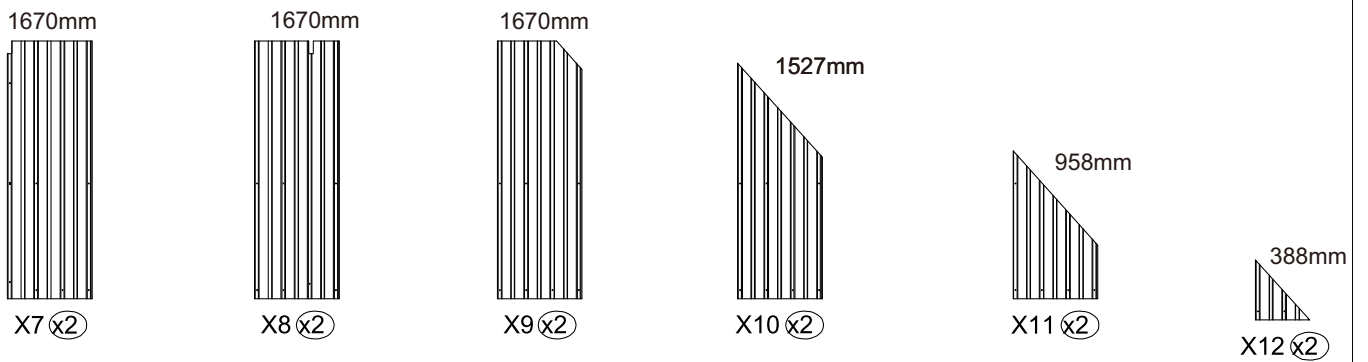
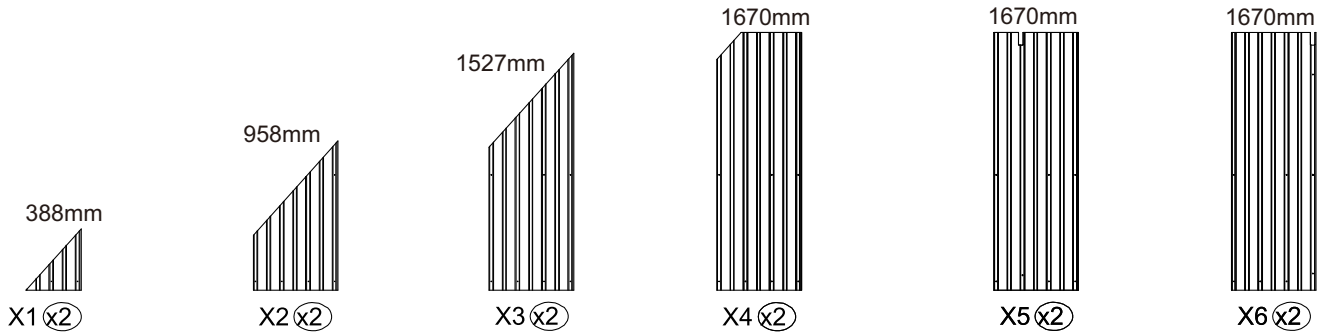
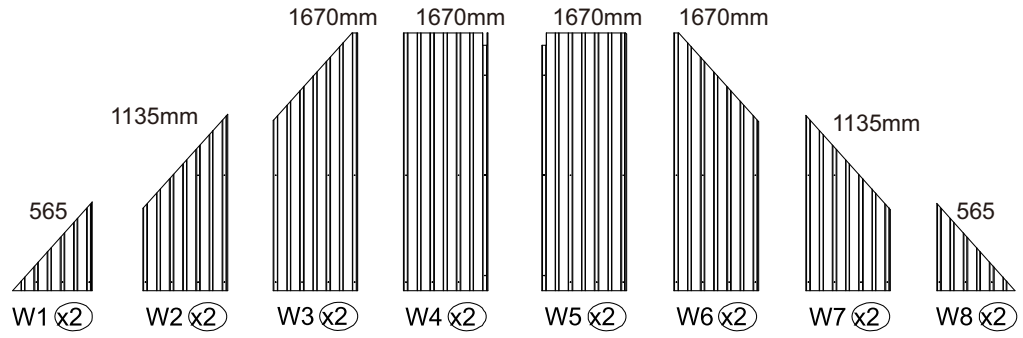
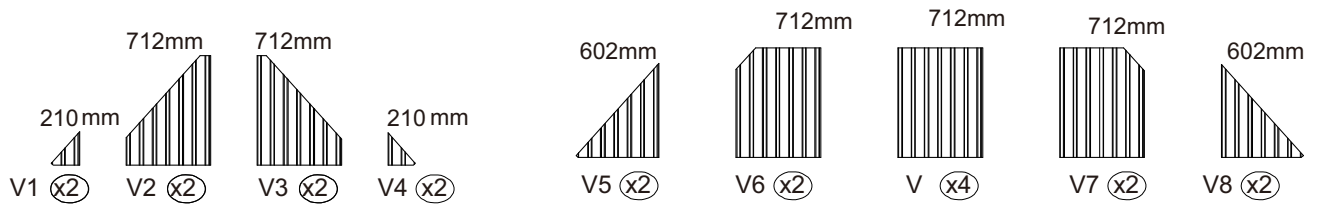
ST6.3*15

12#
x20

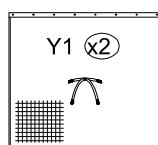


Plastic Hooks

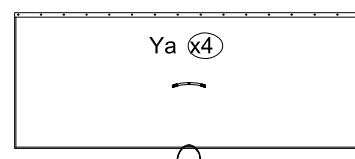
4#
x160



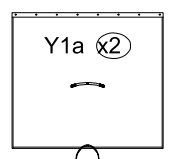
Mosquito Netting

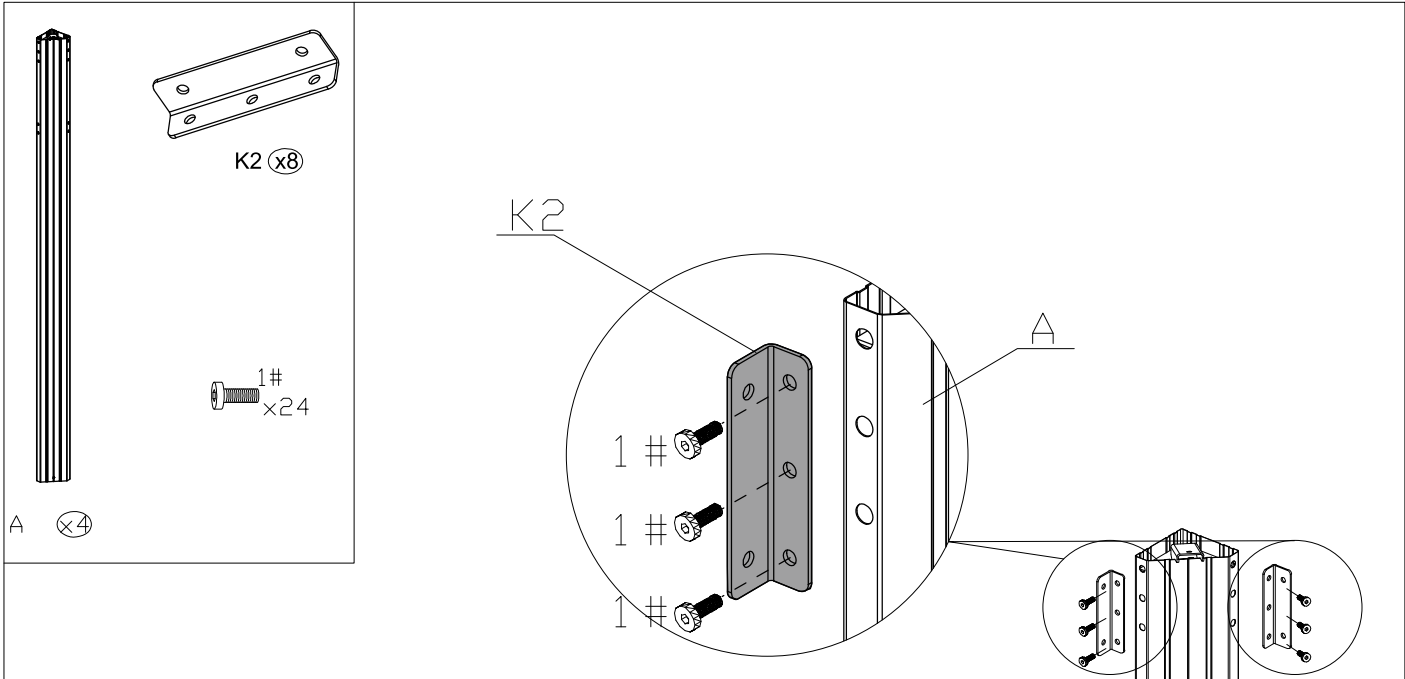


Strap



Solid Sidewall

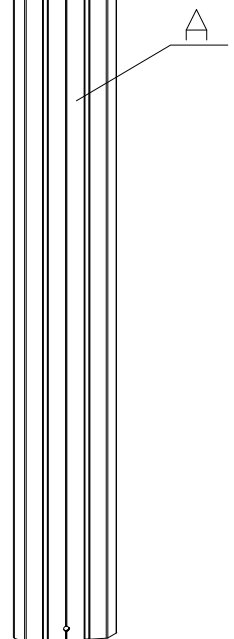


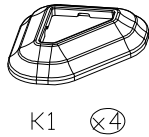
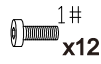
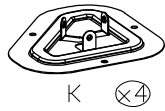
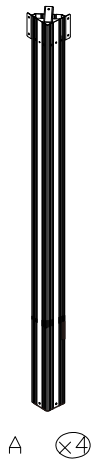


CORNER POLES ASSEMBLY:

- (1) Attach Part #K2 to Pole #A with 6 Bolts 1#.
- (2) Repeat the above procedures to assemble the other 3 Pole #A and 6 Part #K2.

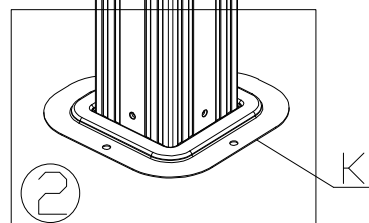
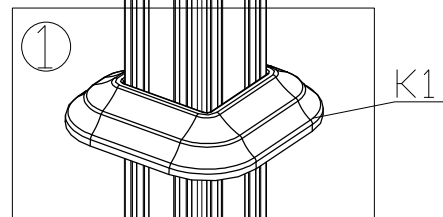
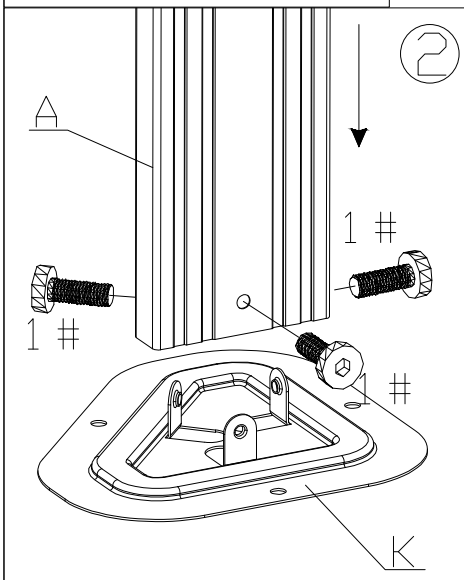
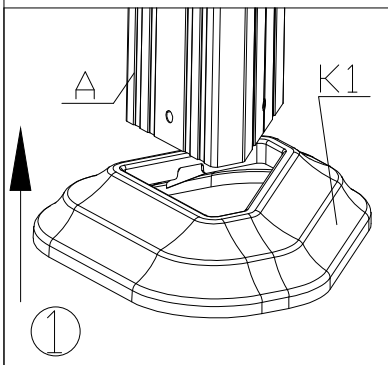
x4



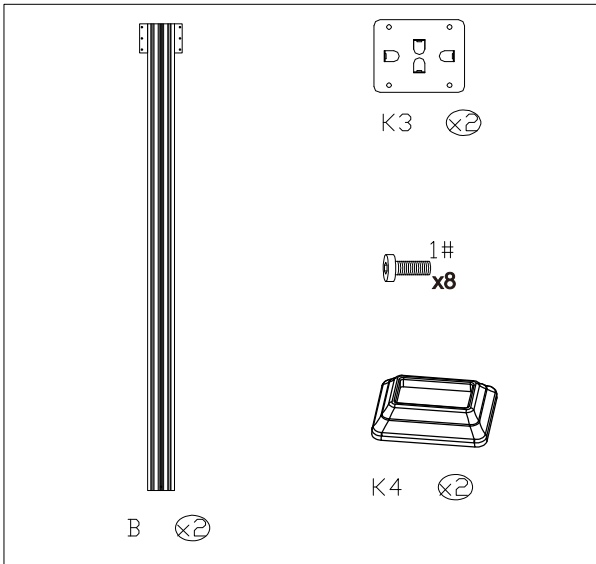


BASE COVER ASSEMBLY:

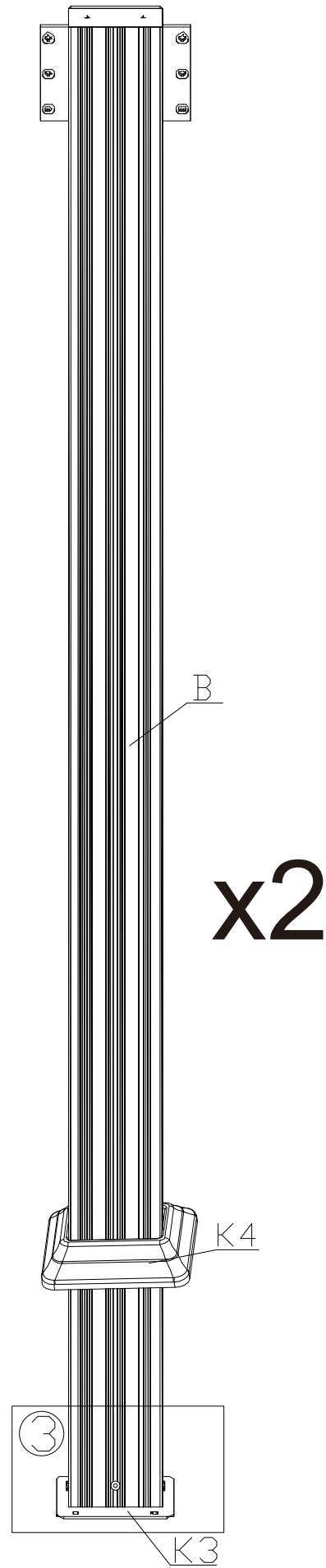
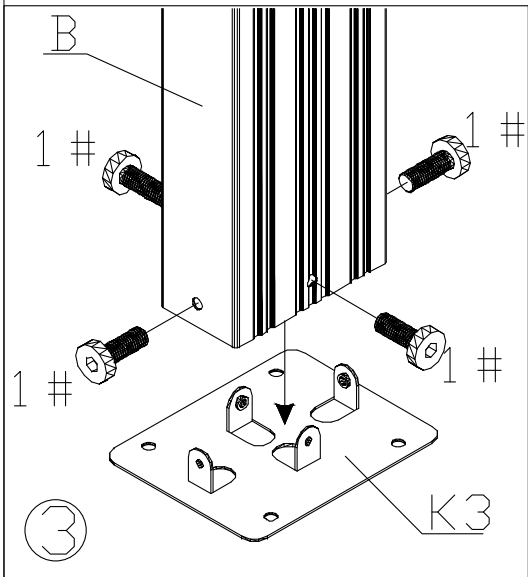
- (1) Put on Base Cover #K1.
- (2) Attach Base #K to the Pole #A with 3 Bolts 1#.
- (3) Repeat above procedures to assemble the other Poles #A.

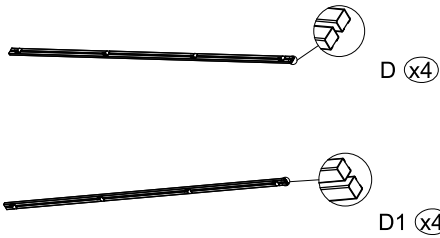


x4



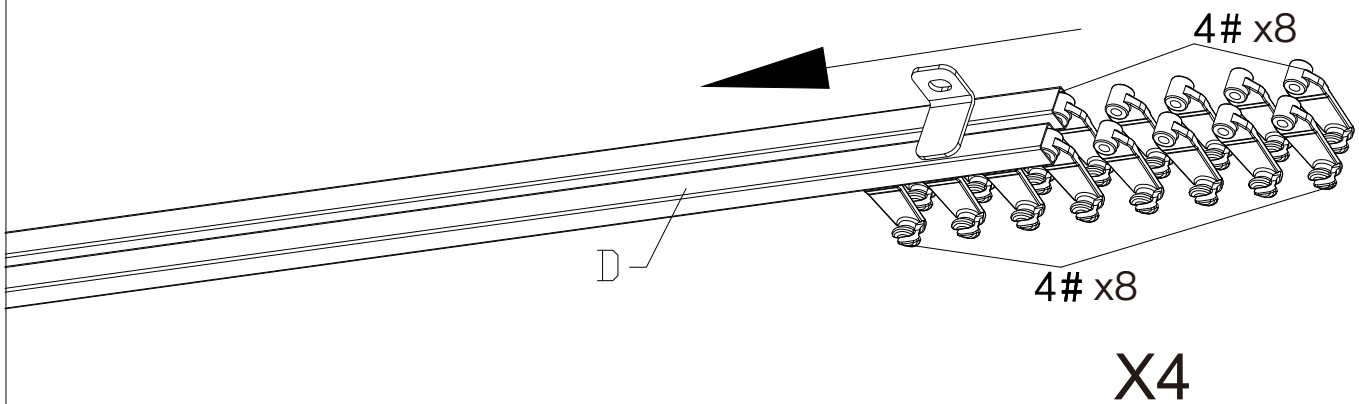
- (1) Put on Base Cover #K4.
- (2) Attach Base #K3 to the Pole #B with 4 Bolts 1#.
- (3) Repeat above procedures to assemble the other Pole #B.



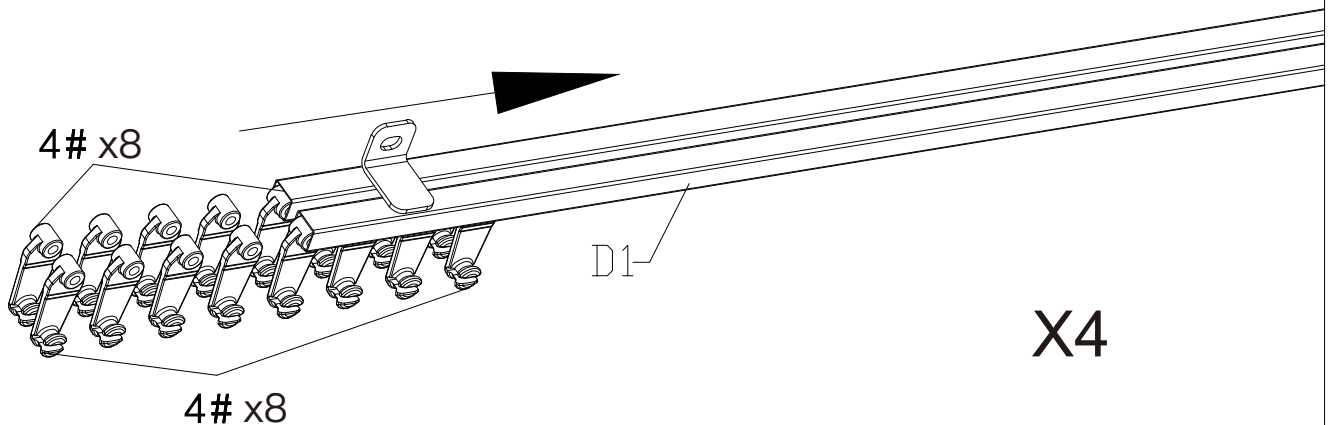


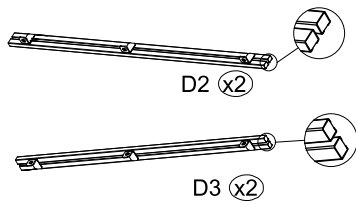
PLASTIC HOOKS ASSEMBLY:

- (1) Slide the Plastic Hooks #4 to the double-rail track #D (each slot should slide 8 plastic hooks).
- (2) Repeat the above procedures for the other tracks D.



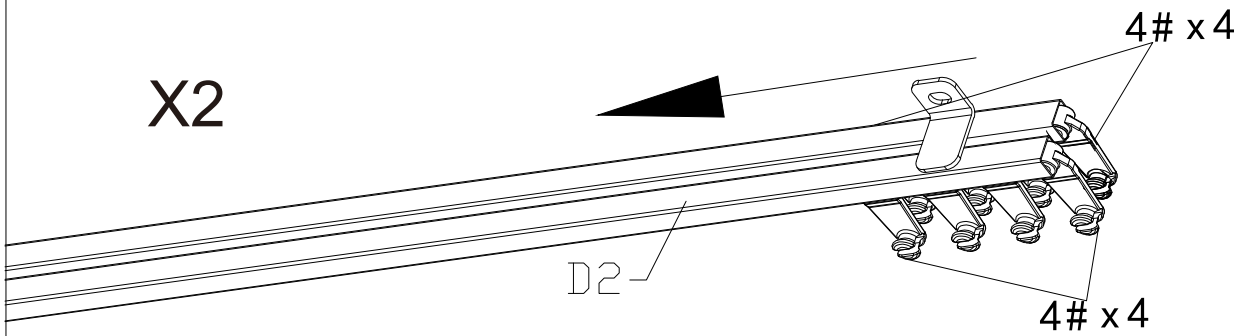
- (1) Slide the Plastic Hooks #4 to the double-rail track #D1 (each slot should slide 8 plastic hooks).
- (2) Repeat the above procedures for the other tracks D1.





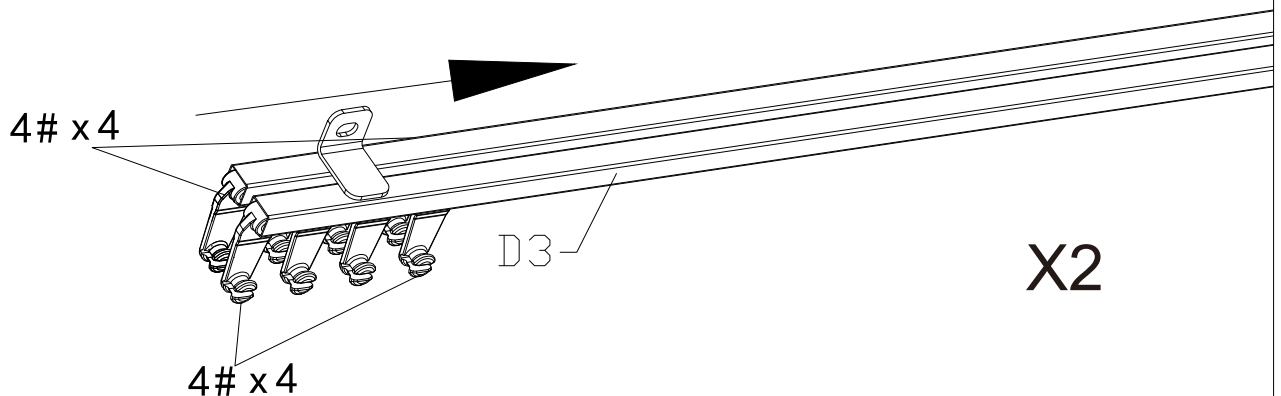
(1) Slide the Plastic Hooks #4 to the double-rail track #D (each slot should slide 4 plastic hooks).

(2) Repeat the above procedures for the other tracks D2.



(1) Slide the Plastic Hooks #4 to the double-rail track #D1 (each slot should slide 4 plastic hooks).

(2) Repeat the above procedures for the other tracks D3.

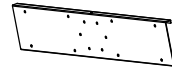




C3 (x2)



C4 (x2)

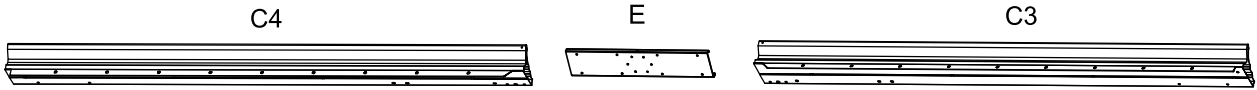


E (x2)

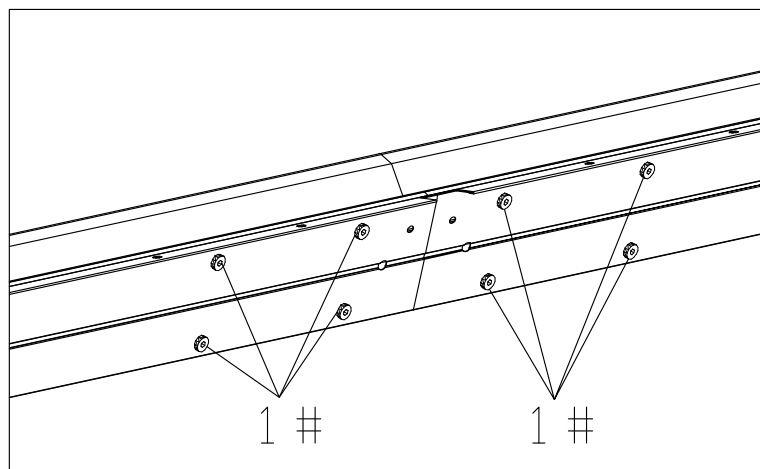
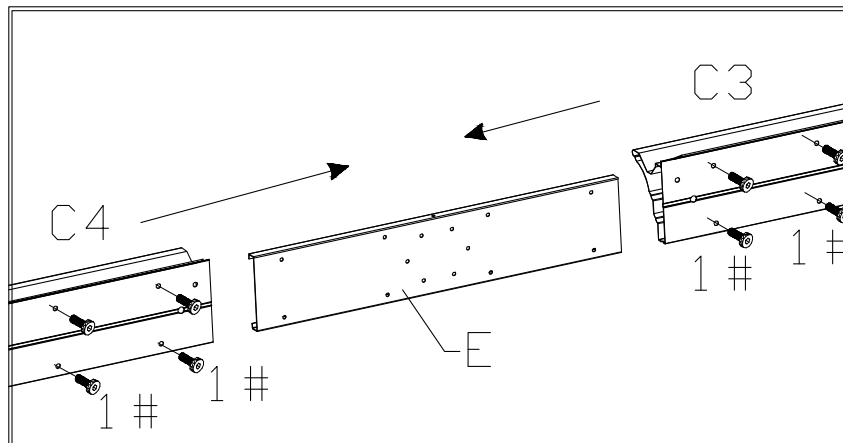


1#
x16

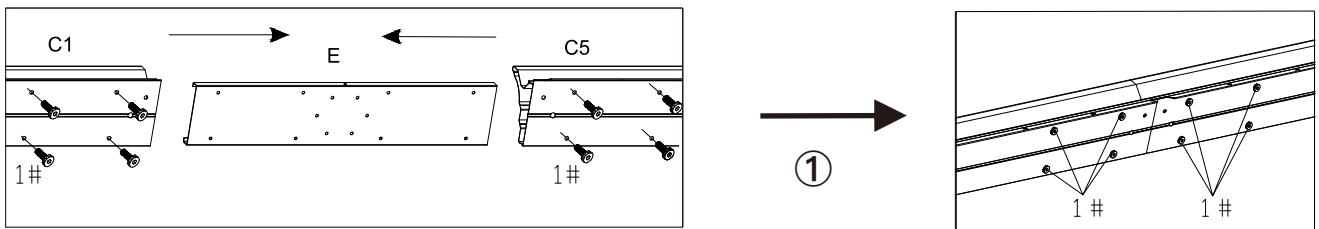
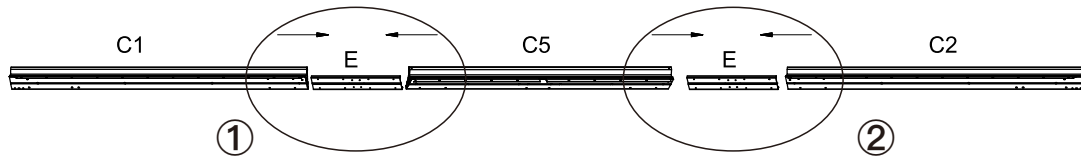
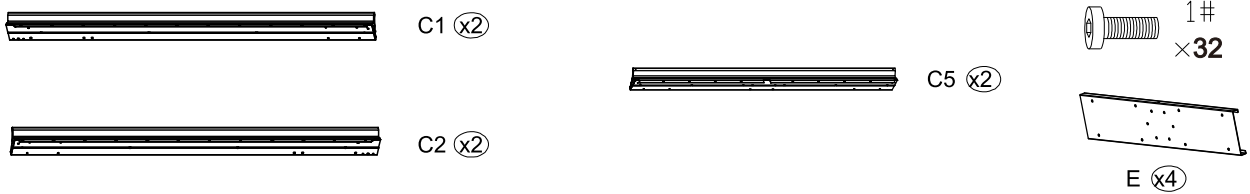
BEAM ASSEMBLY:



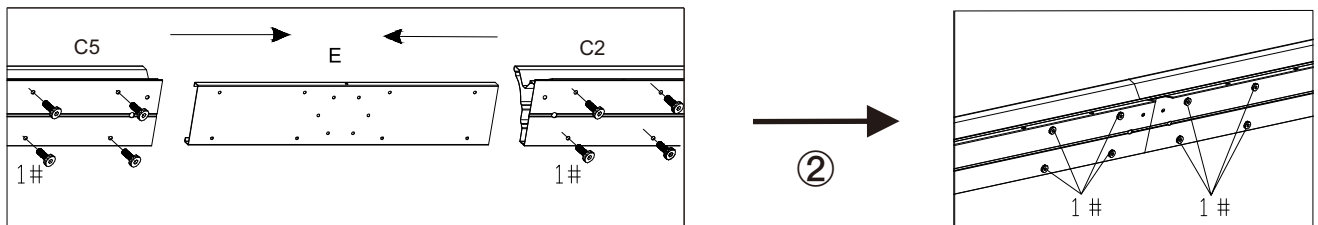
- (1) Insert Union Bar #E into Beams #C4, and secure with 4 Bolts 1#.
- (2) Insert the other side of Union Bar #E into Beams #C3, and secure with 4 Bolts 1#.
- (3) Repeat above procedures to assemble the other Beams #C3 and #C4.



TIPS: It's a normal situation that there's a gap between the 2 beams, please use silicone sealant #H and bracket #G to affix the gap.(See P14)



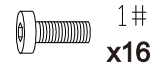
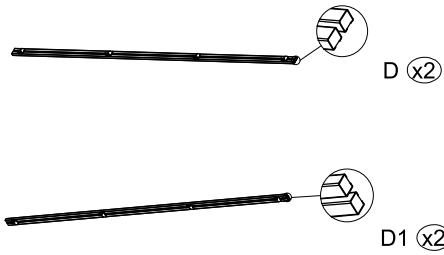
(1) Use Union Bar #E to connect Part #C1 and Part #C5, and secure with 8 Bolts 1#.



(2) Use Union Bar #E to connect Part #C5 and Part #C2, and secure with 8 Bolts 1#.

(3) Repeat above procedures to assemble the other Beams #C1, #C2 and #C5.

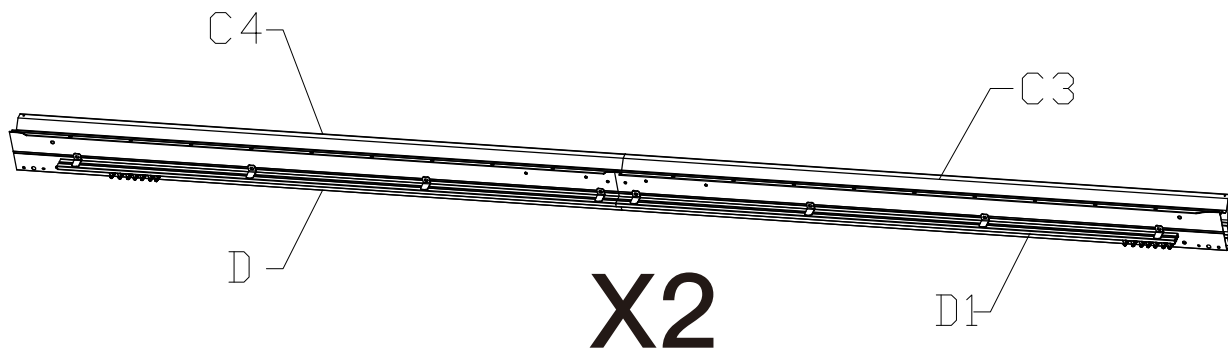
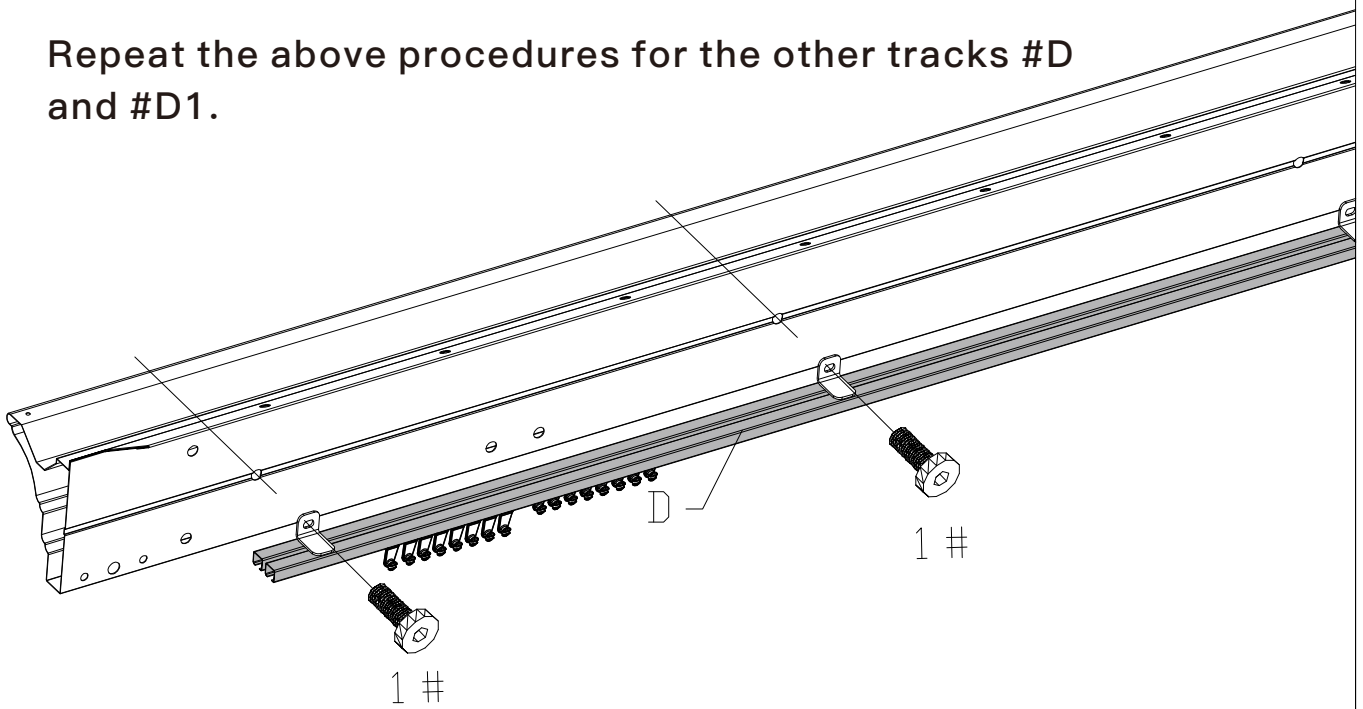
TIPS: It's a normal situation that there's a gap between the 2 beams, please use silicone sealant #H and bracket #G to affix the gap.(See P14)

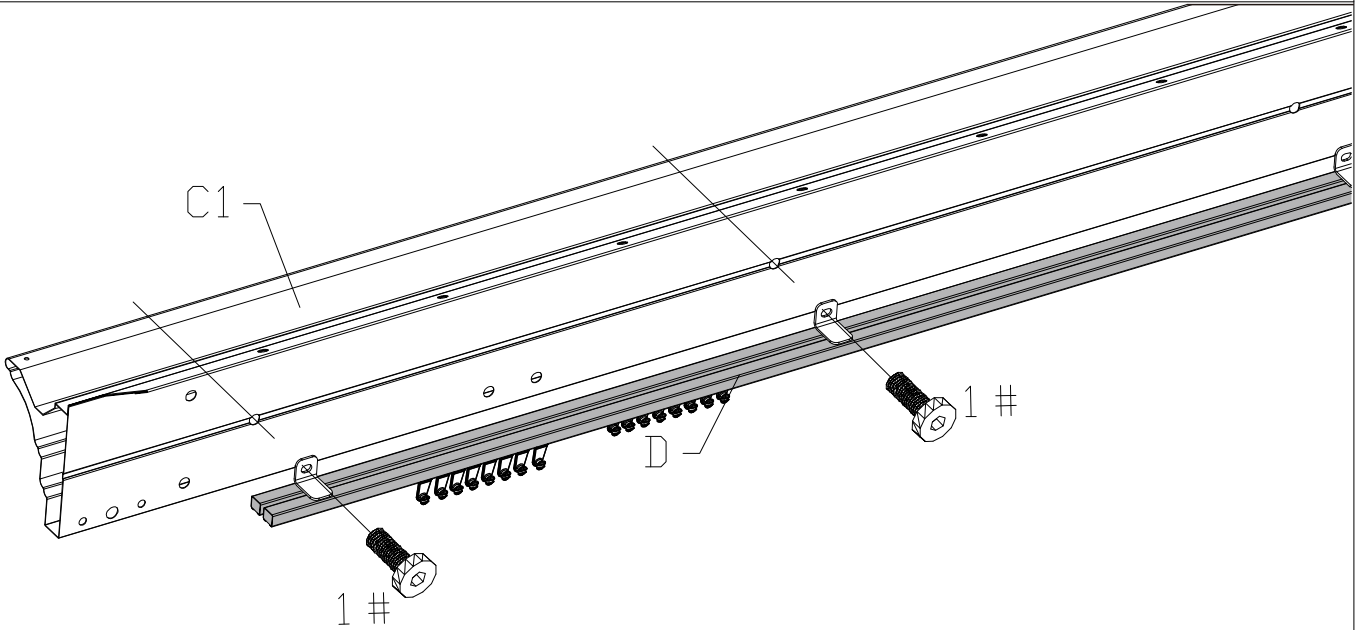
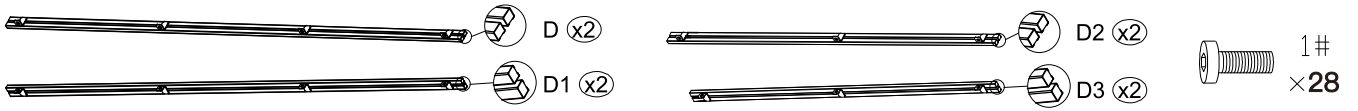


SIDEWALL TRACKS ASSEMBLY:

- (1) Secure Sidewall Track #D to Beam #C4 using 4 Bolts #1.
- (2) Secure Sidewall Track #D1 to Beam #C3 using 4 Bolts #1.

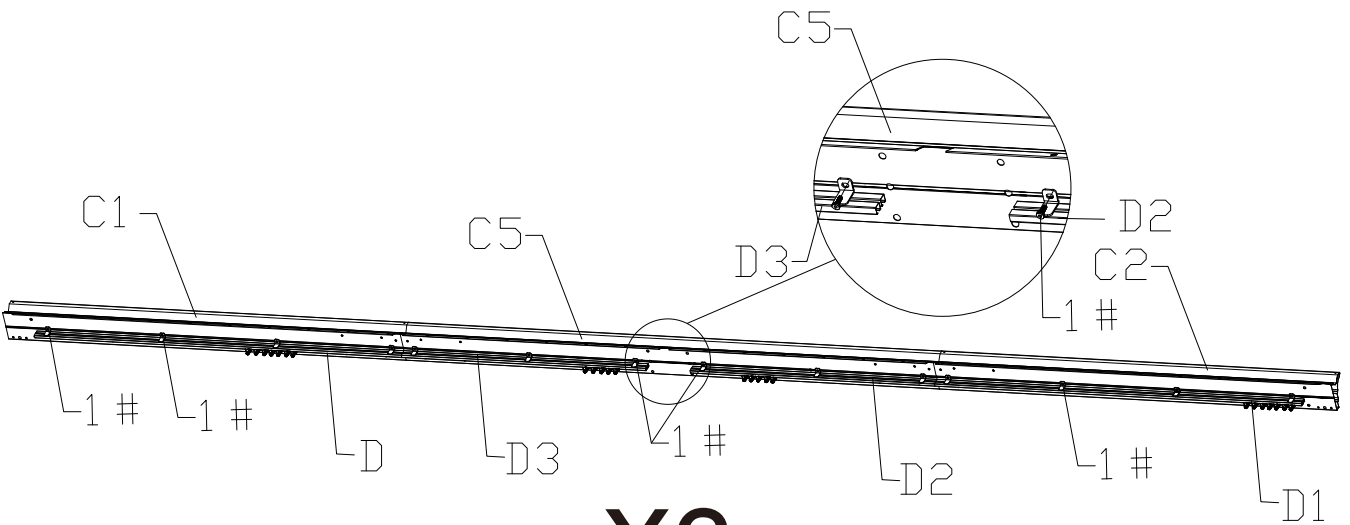
Repeat the above procedures for the other tracks #D and #D1.





- (1) Secure Sidewall Track #D to Beam #C1 using 4 Bolts #1.
- (2) Secure Sidewall Track #D3 to Beam #C5 using 3 Bolts #1.
- (3) Secure Sidewall Track #D2 to Beam #C5 using 3 Bolts #1.
- (4) Secure Sidewall Track #D1 to Beam #C2 using 4 Bolts #1.

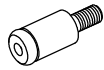
Repeat the above procedures for the other tracks #D, #D3, #D2 and #D1 .



X2

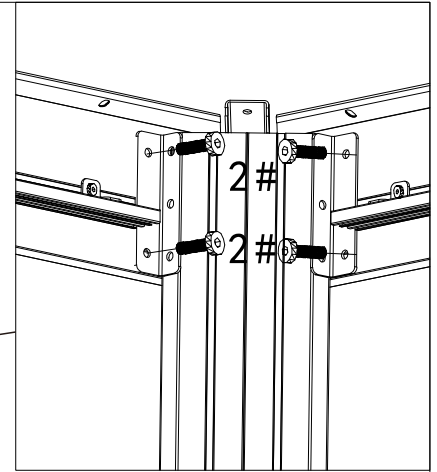


2#
x16

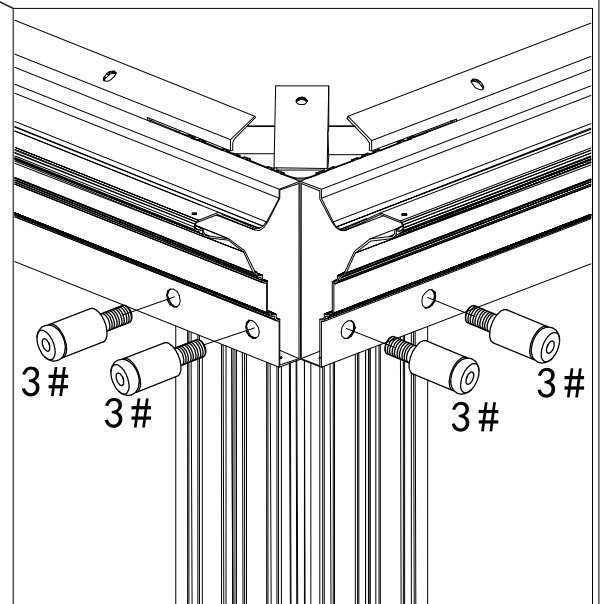
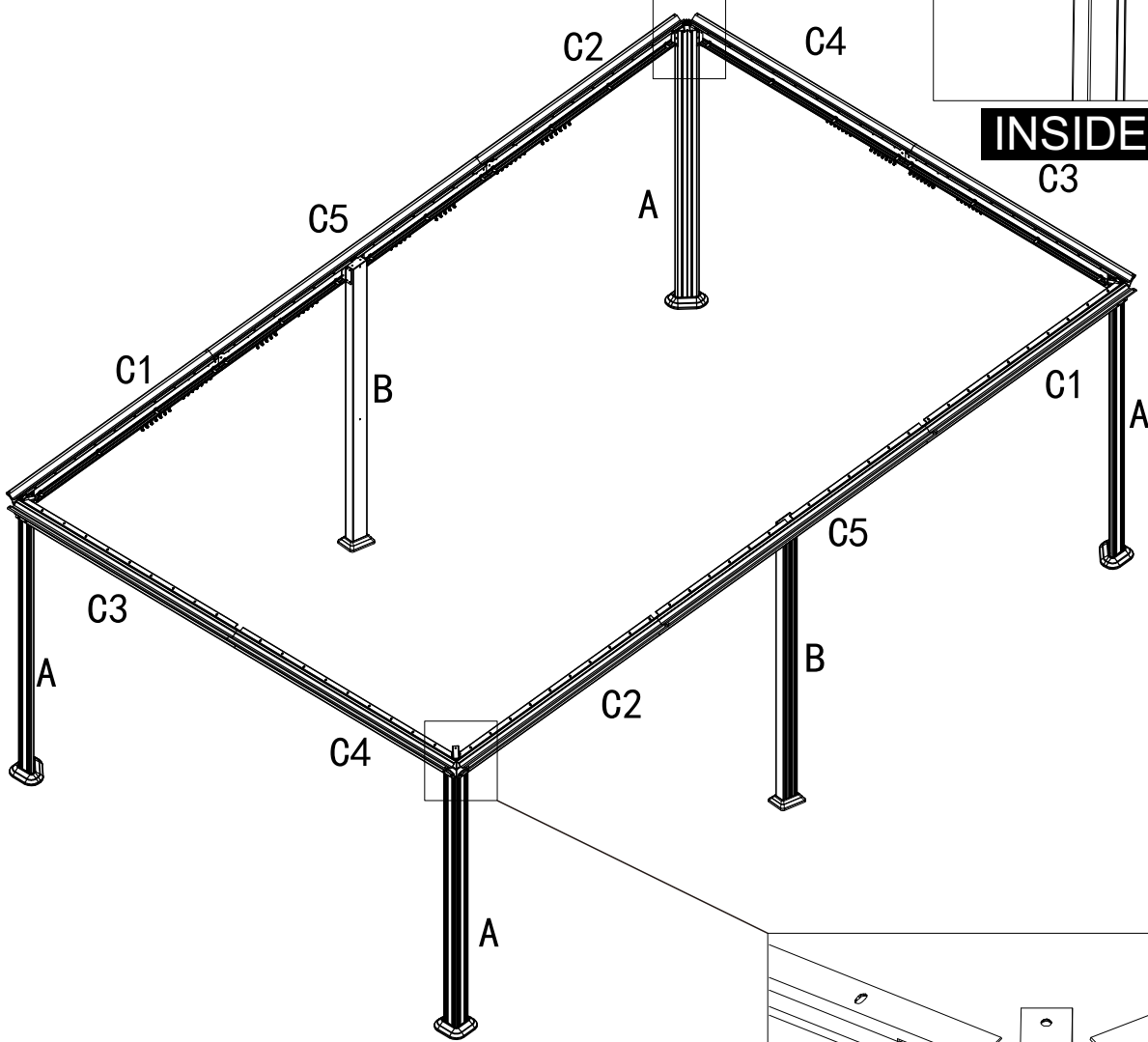


3#
x16

FRAME ASSEMBLY:



INSIDE VIEW

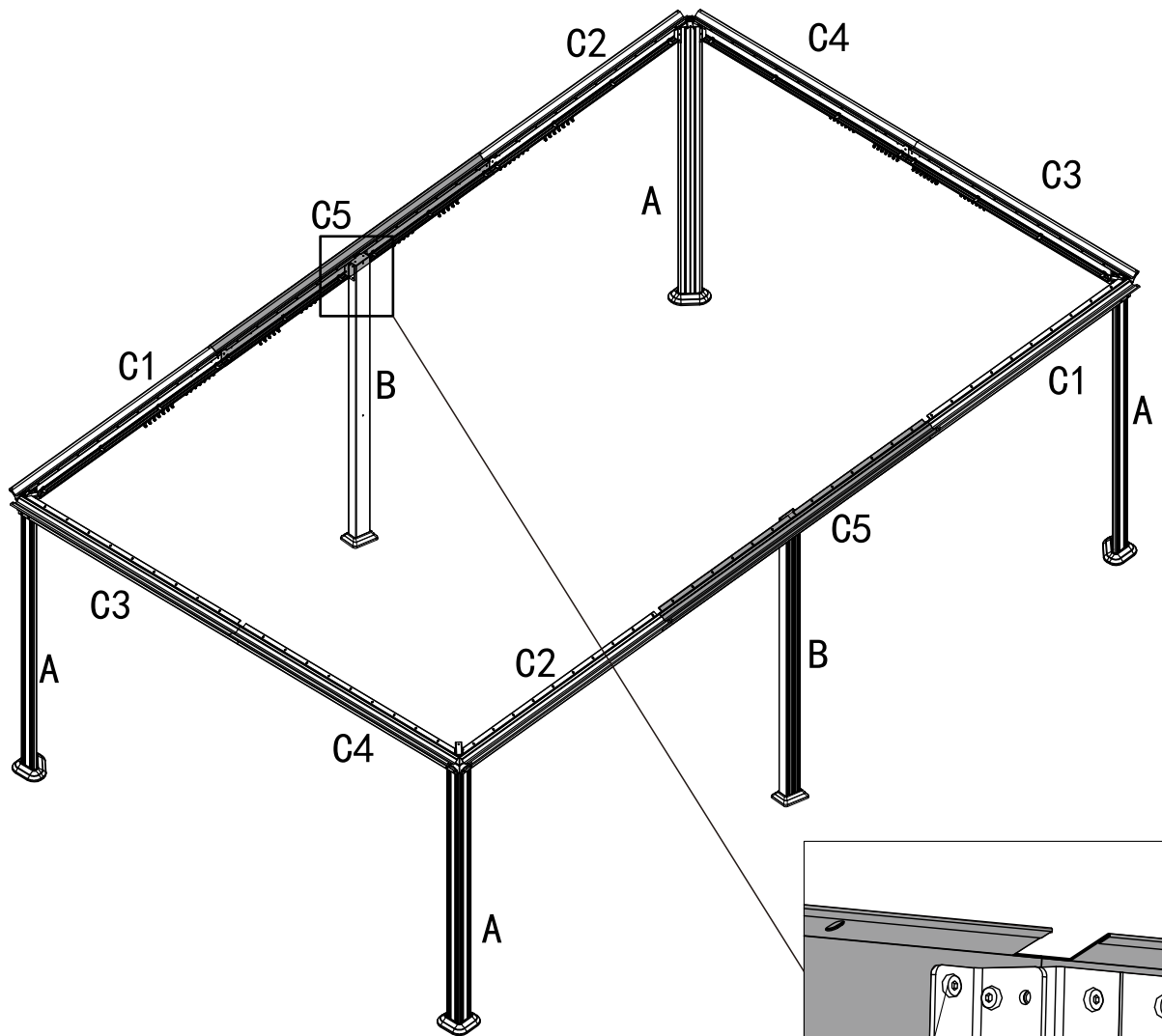


OUTSIDE VIEW

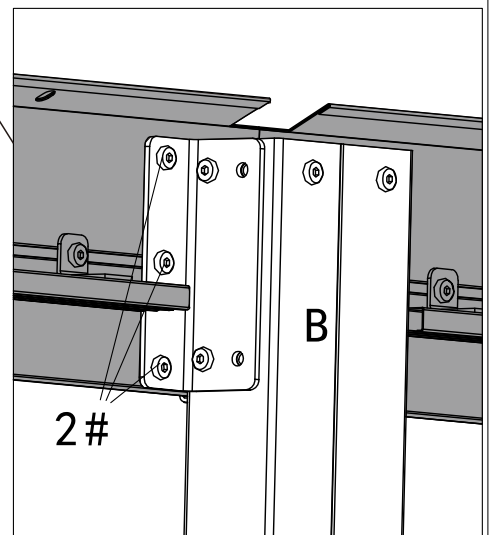
Please don't tighten
all bolts.



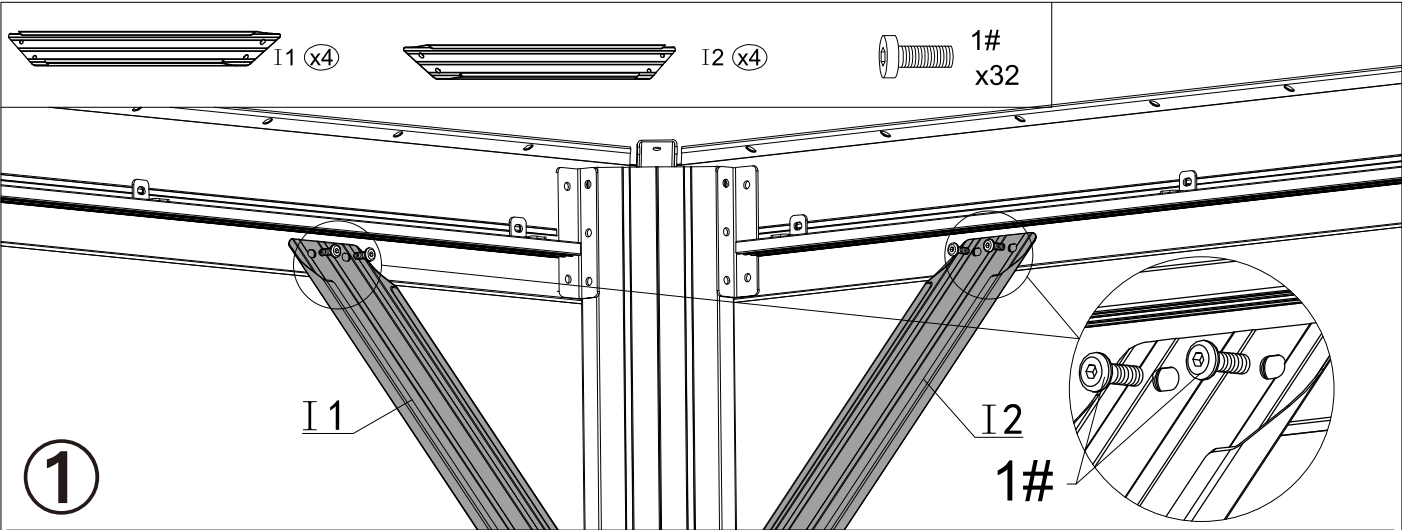
2#
x12



Please don't tighten
all bolts.



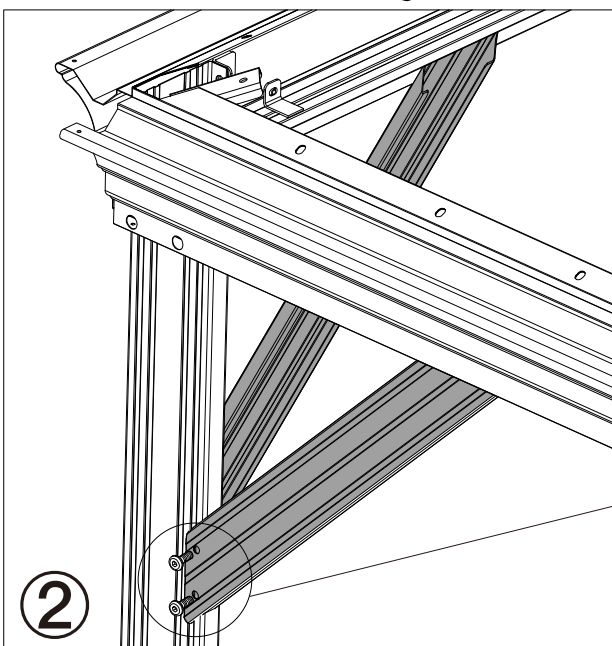
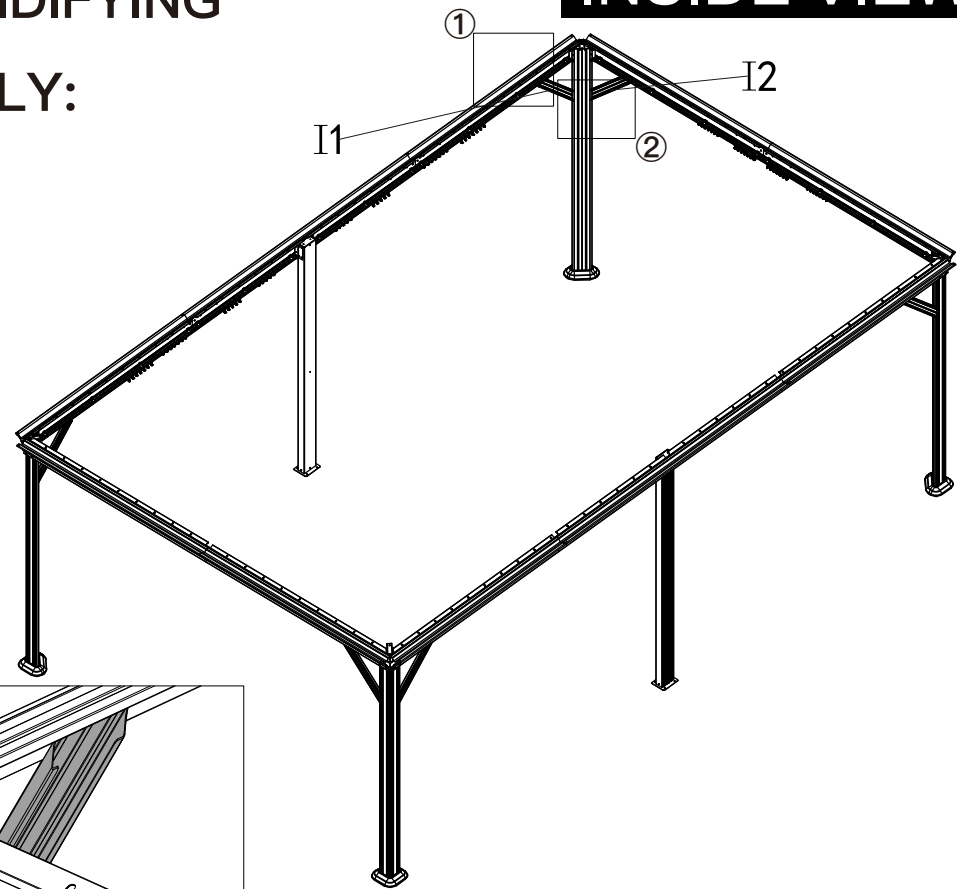
INSIDE VIEW



①

**CORNER SOLIDIFYING
BAR ASSEMBLY:**

INSIDE VIEW

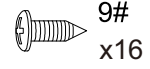


②

OUTSIDE VIEW

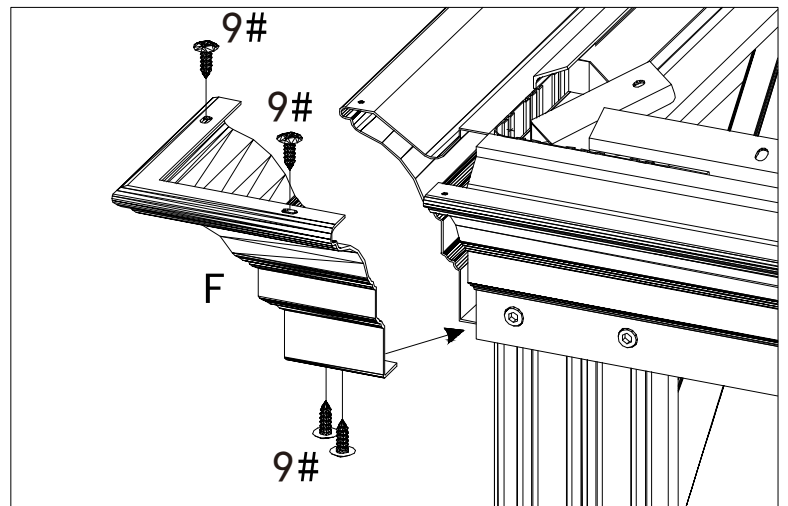
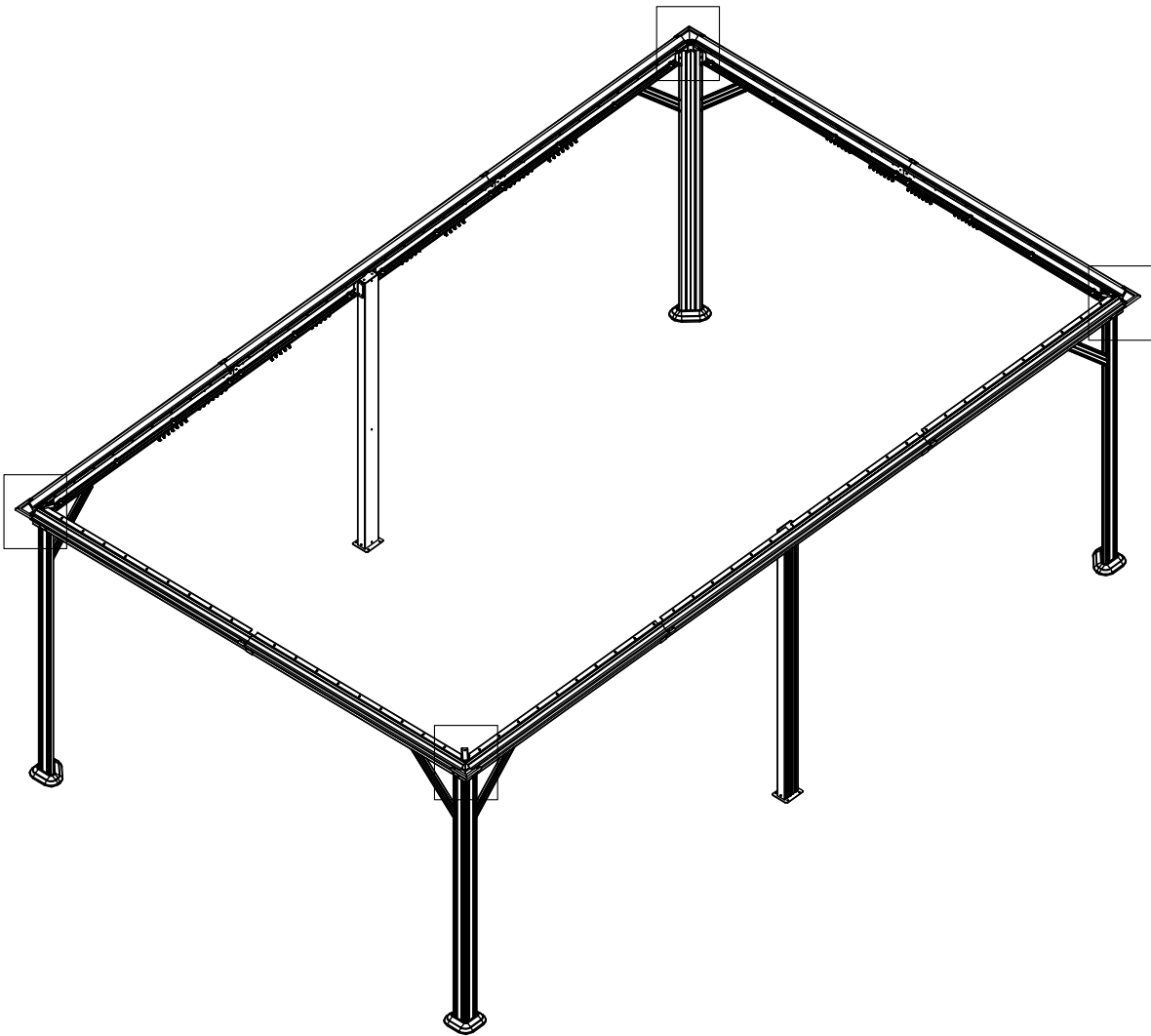


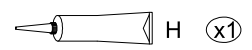
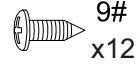
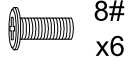
F
x4



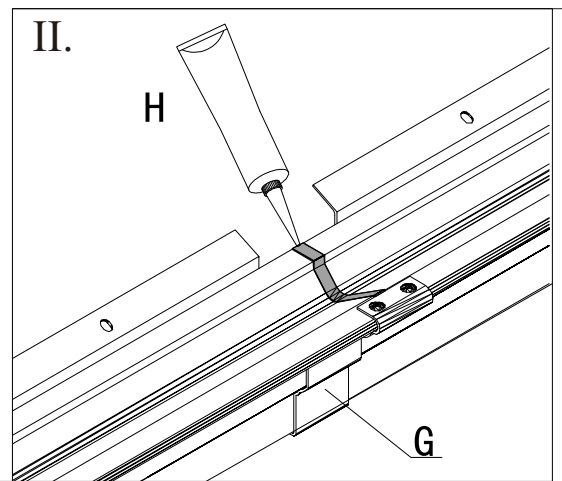
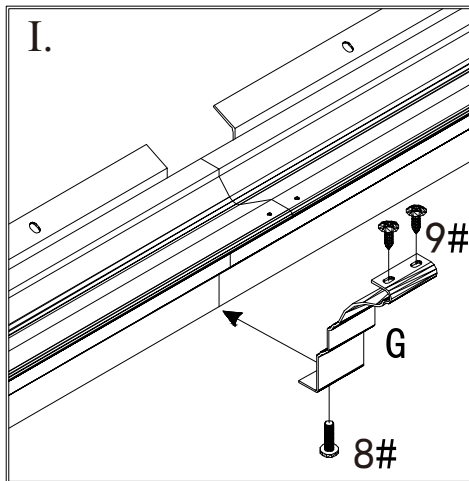
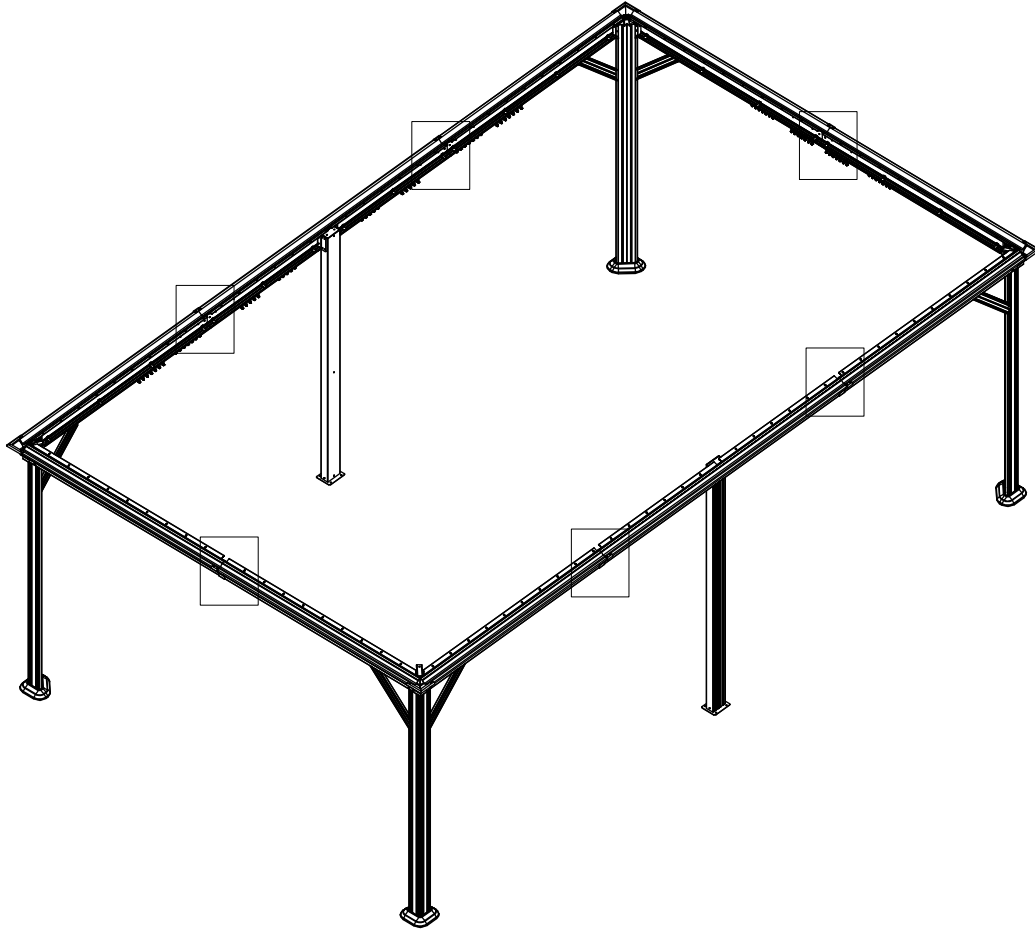
9#
x16

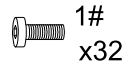
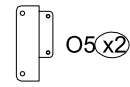
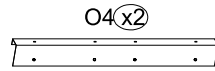
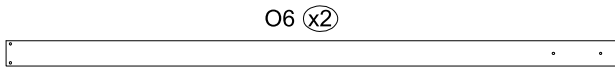
CORNER COVER & JOINT COVER ASSEMBLY:





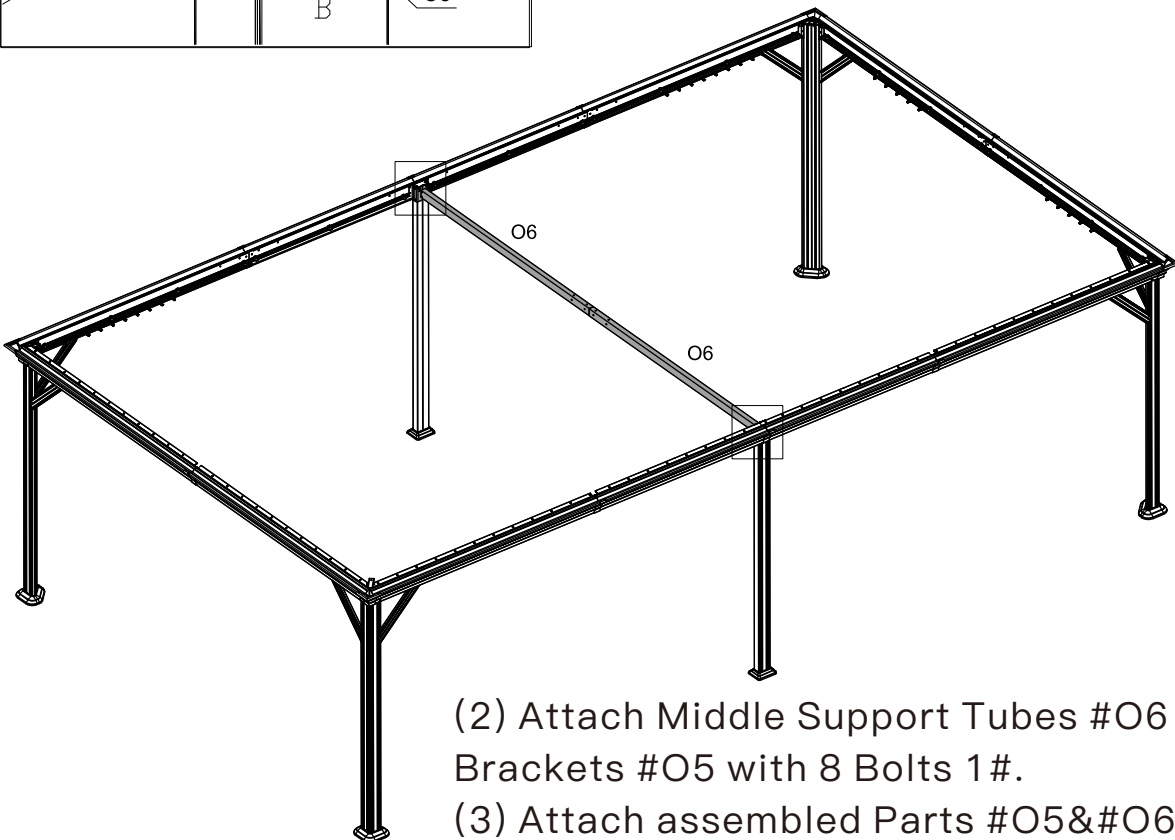
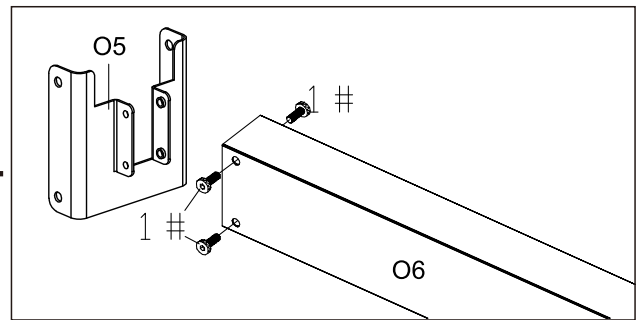
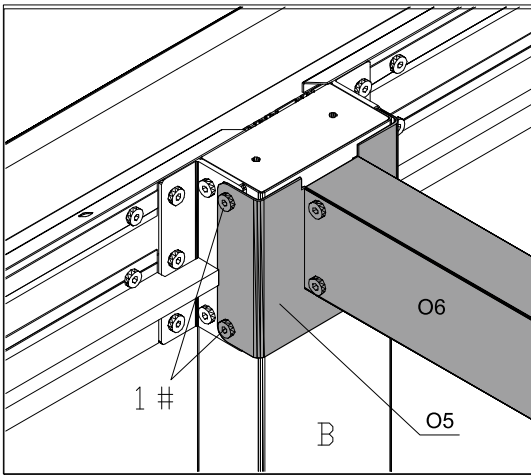
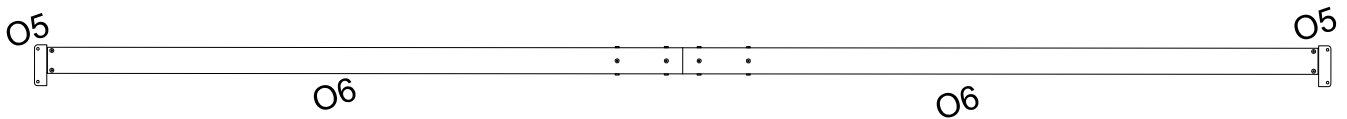
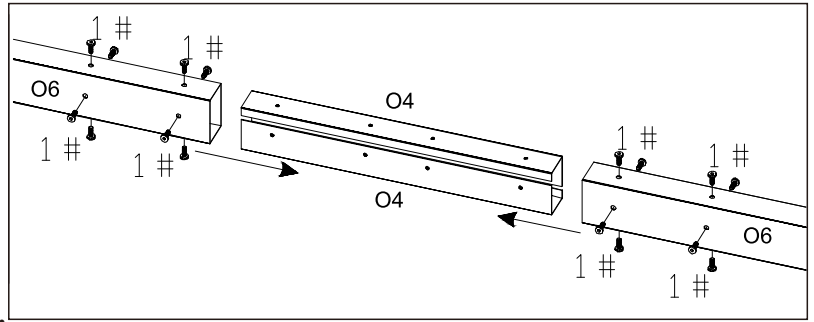
Use 5mm silicone sealant(part #H) and Joint Cover #G to affix the gap.





MIDDLE SUPPORT TUBES ASSEMBLY:

(1) Use Part #O4 to connect 2 Middle Support Tubes #O6, and secure them with 16 Bolts #1.



(2) Attach Middle Support Tubes #O6 to Brackets #O5 with 8 Bolts 1#.

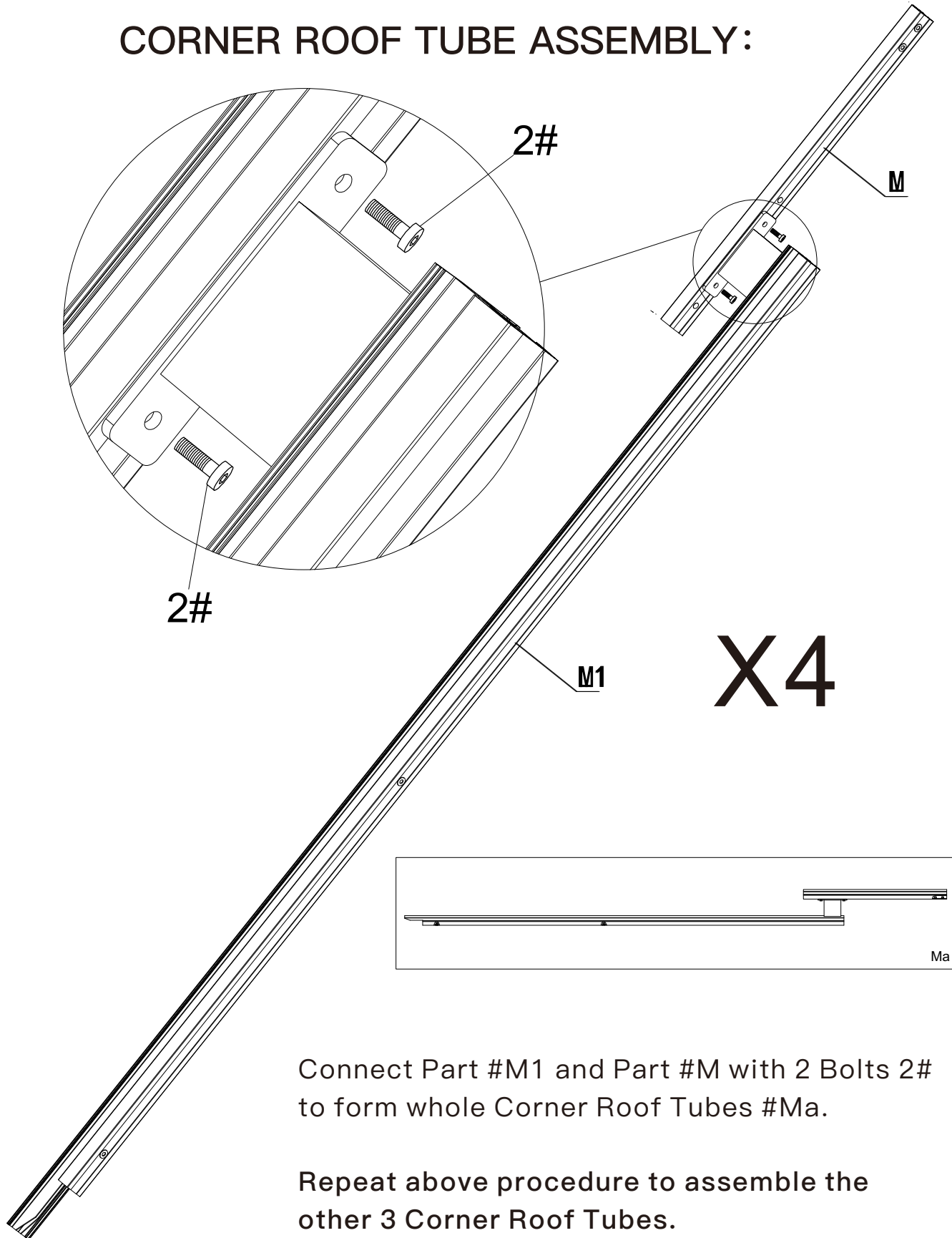
(3) Attach assembled Parts #O5&#O6 to the Beams #C5, and secure them with 8 Bolts 1#.

M (x4)

M1 (x4)

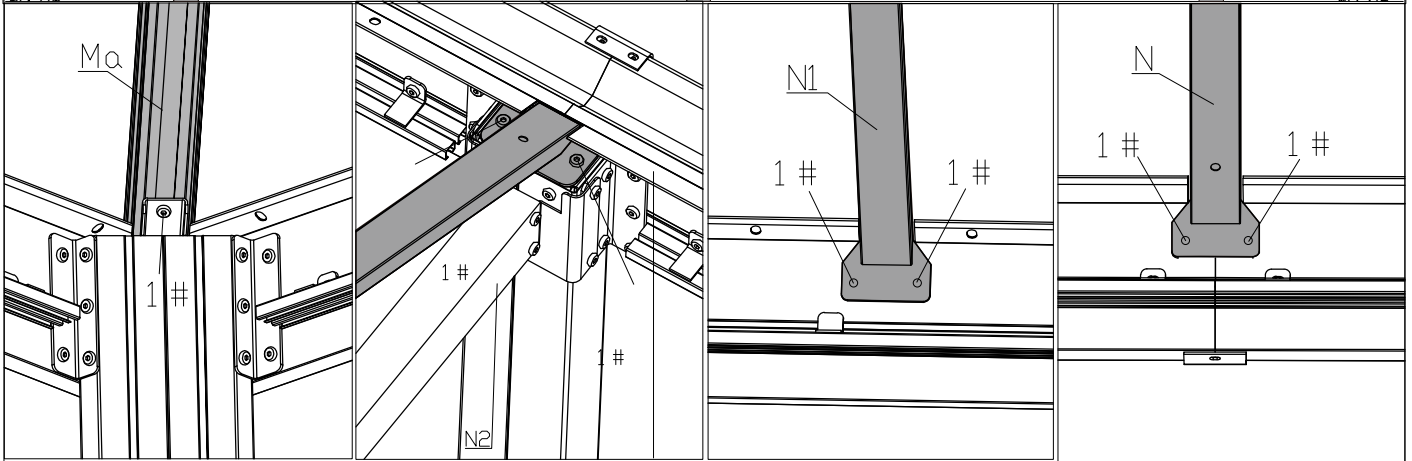
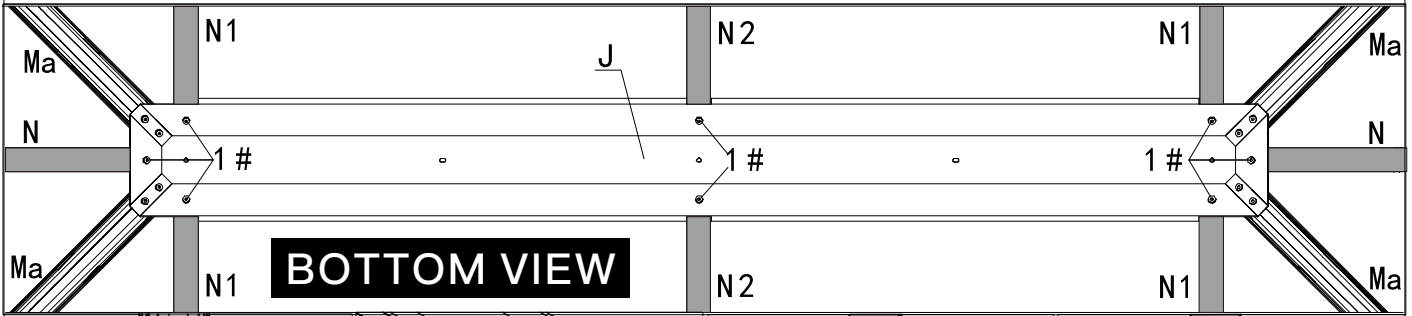
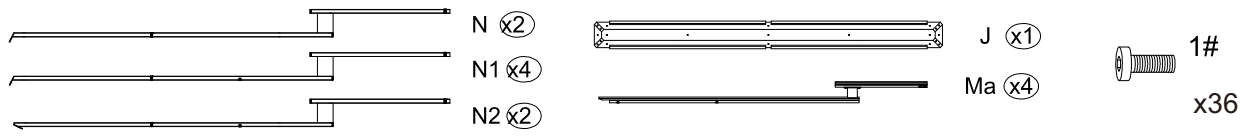
2#
x8

CORNER ROOF TUBE ASSEMBLY:

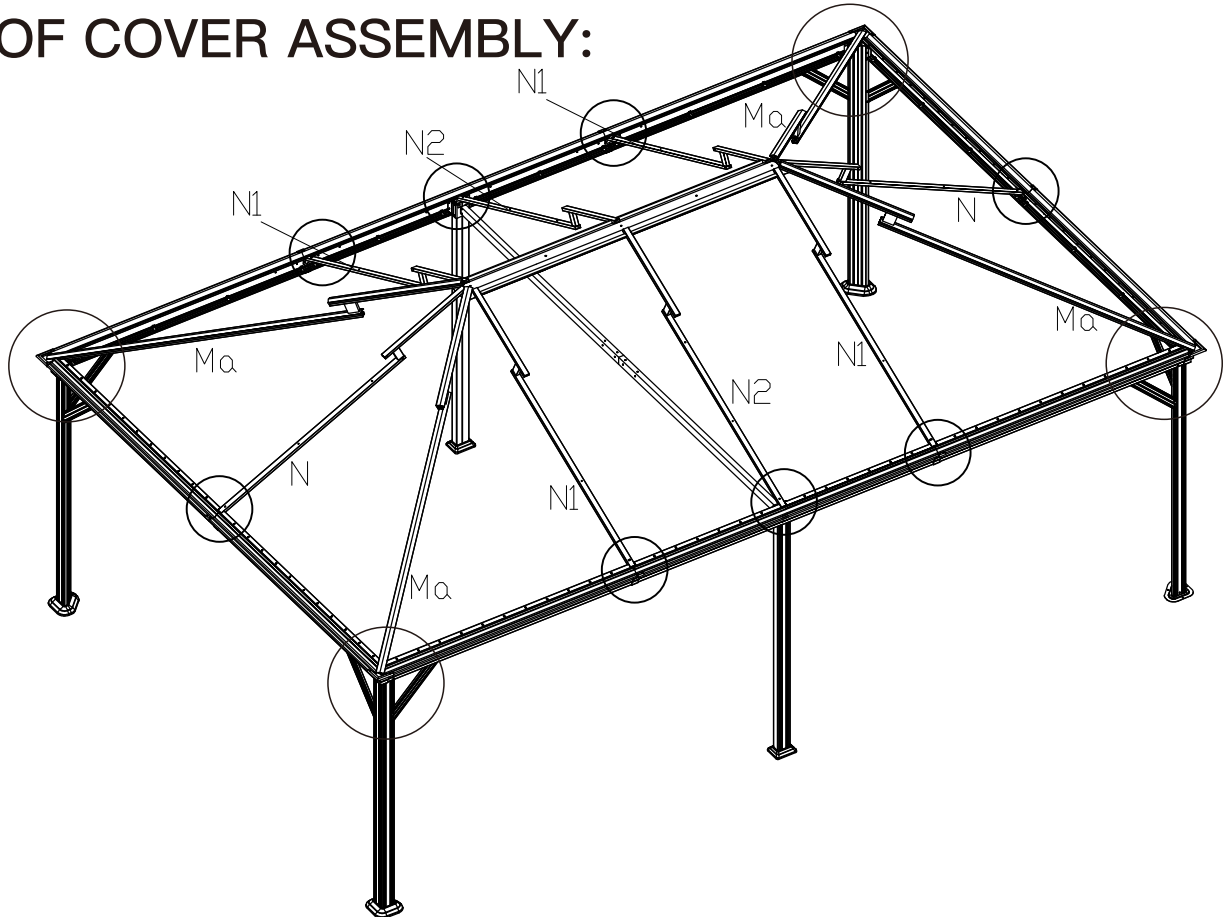


Connect Part #M1 and Part #M with 2 Bolts 2# to form whole Corner Roof Tubes #Ma.

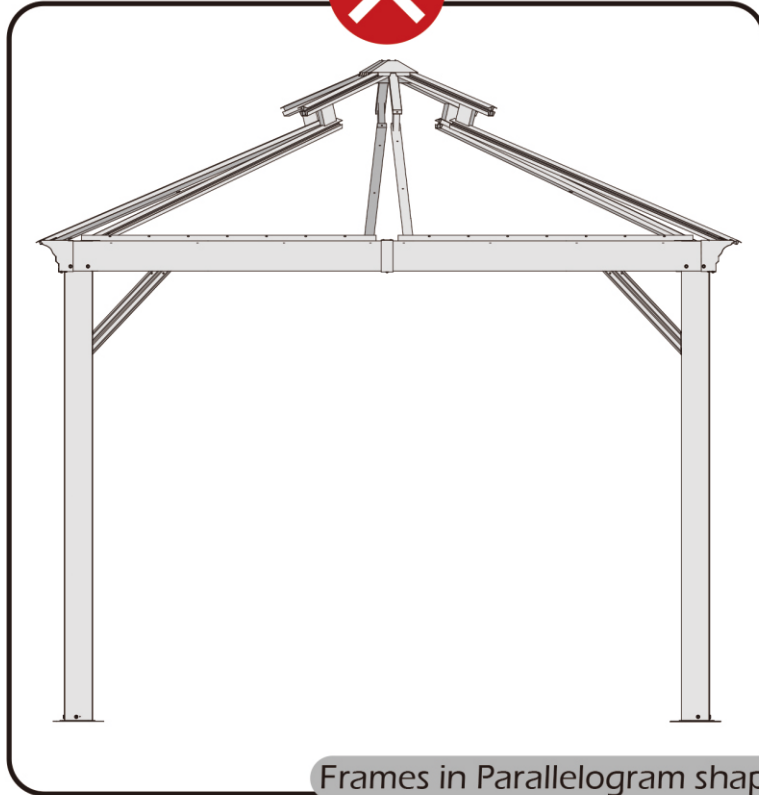
Repeat above procedure to assemble the other 3 Corner Roof Tubes.



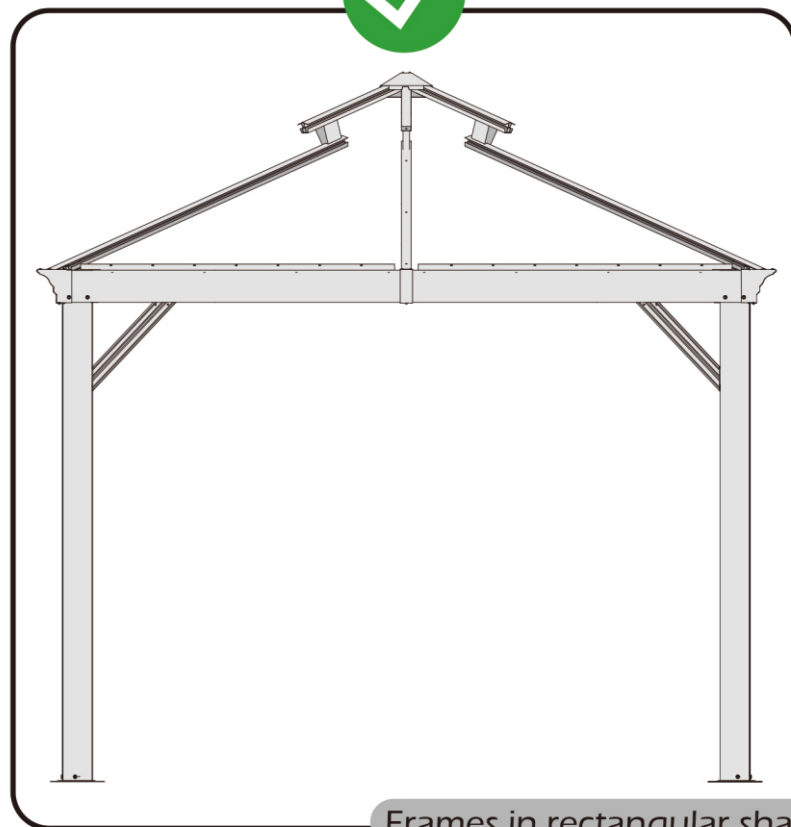
ROOF TUBES AND INSIDE ROOF COVER ASSEMBLY:



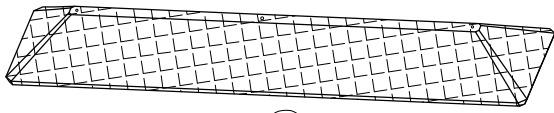
Check the the frame as pictures below shows.



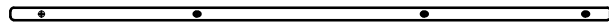
Frames in Parallelogram shape



Frames in rectangular shape



O (x1)

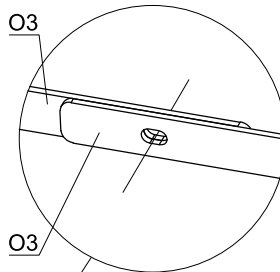
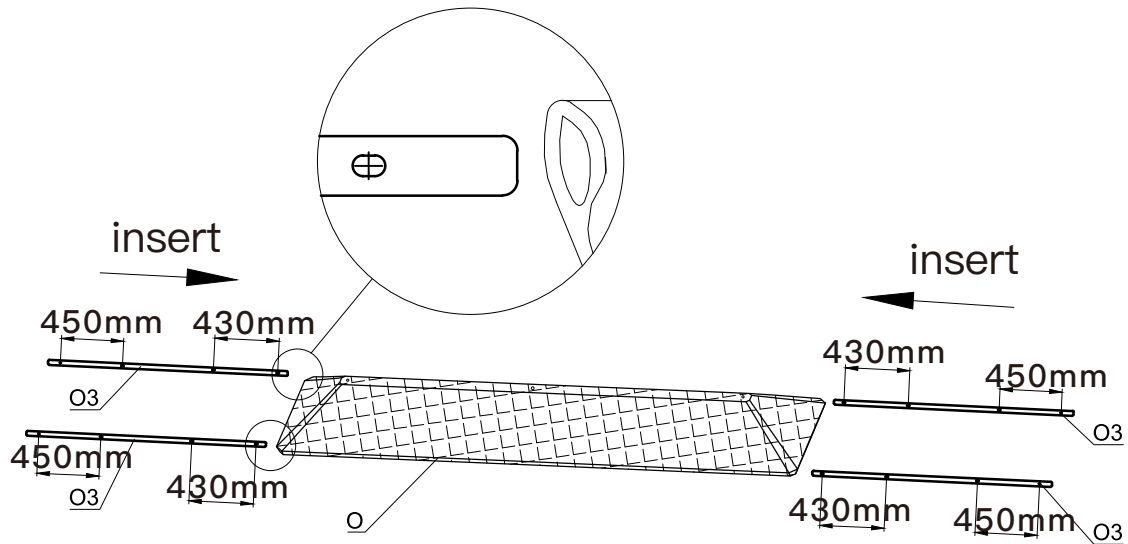


O3 (x4)

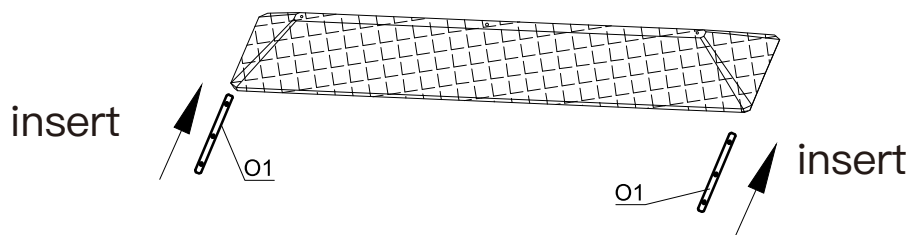
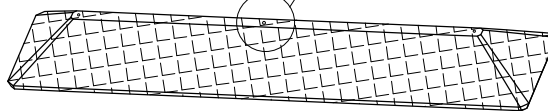


O1 (x2)

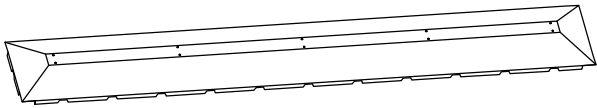
PLASTIC BAR ASSEMBLY:



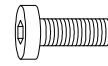
Align the holes



Please pay attention to the installation position of the O3 and do not install it backwards.



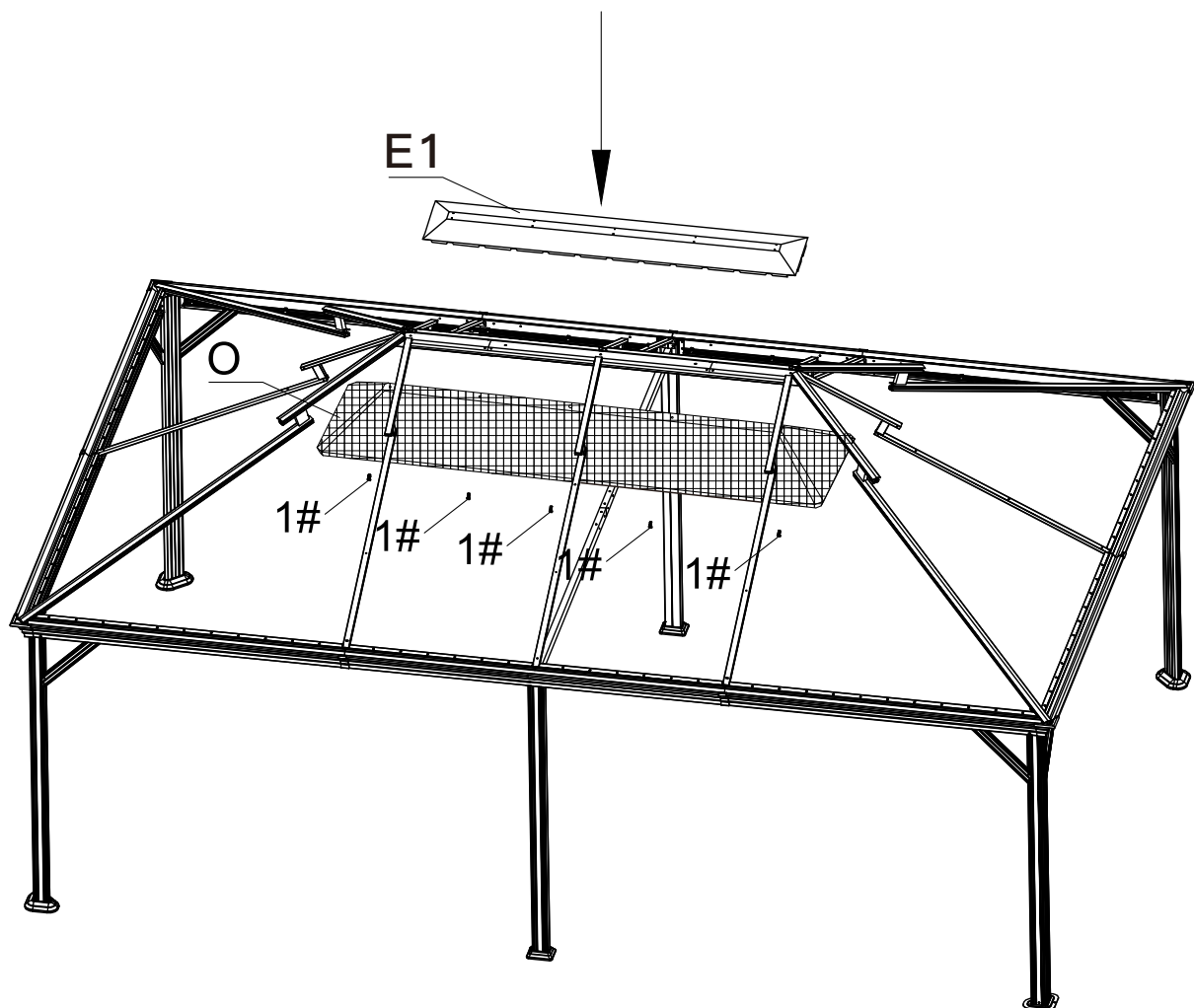
E1(x1)

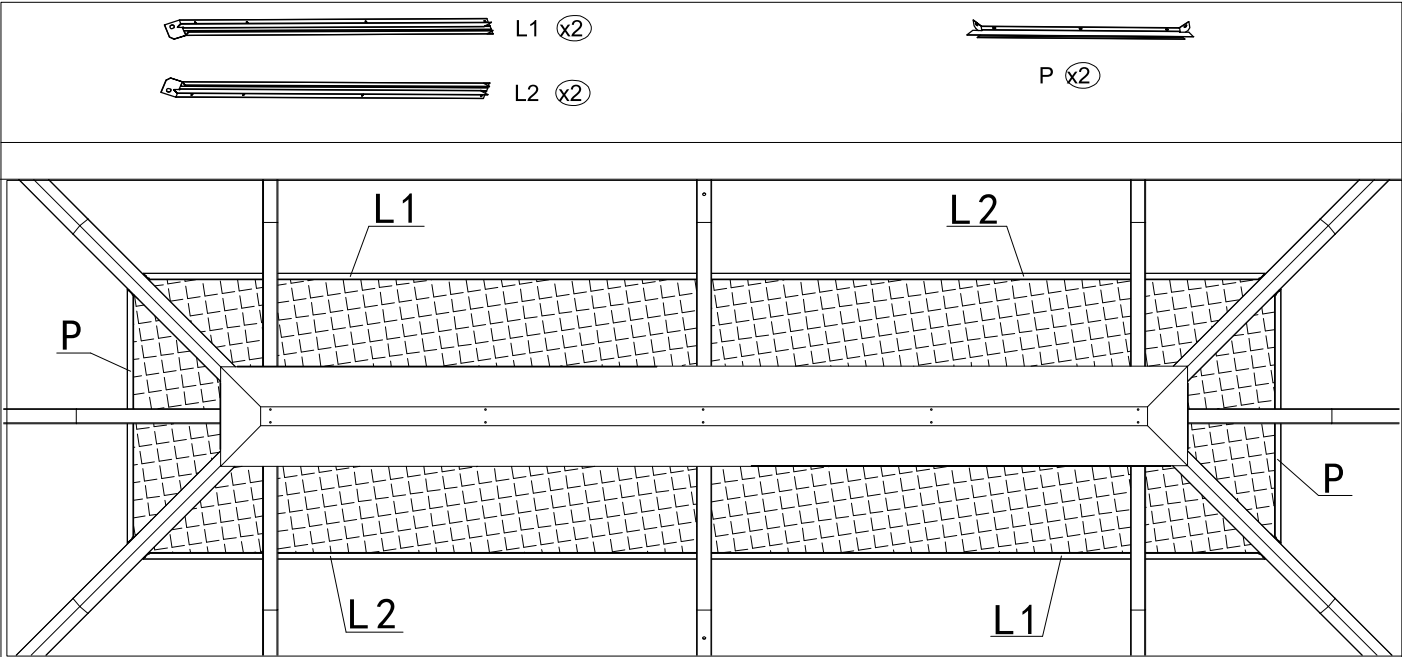


1#
x5

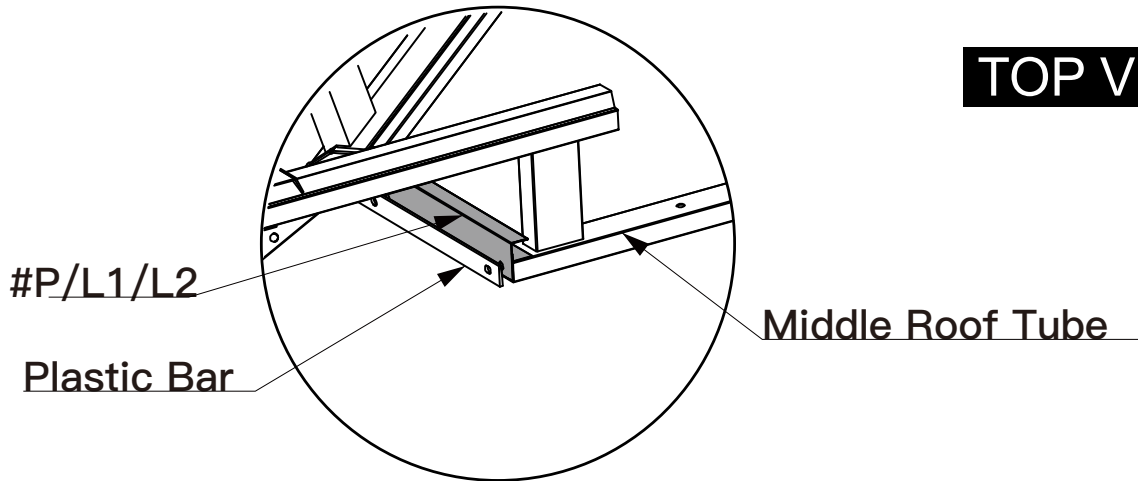
OUTSIDE ROOF COVER AND MESH ASSEMBLY:

- (1) Place the Outside Roof Cover on the Inside Roof Cover.
- (2) Align the holes and use 5 Bolts 1# to secure Mesh #0 to the Inside Roof Cover (From Bottom to Top).





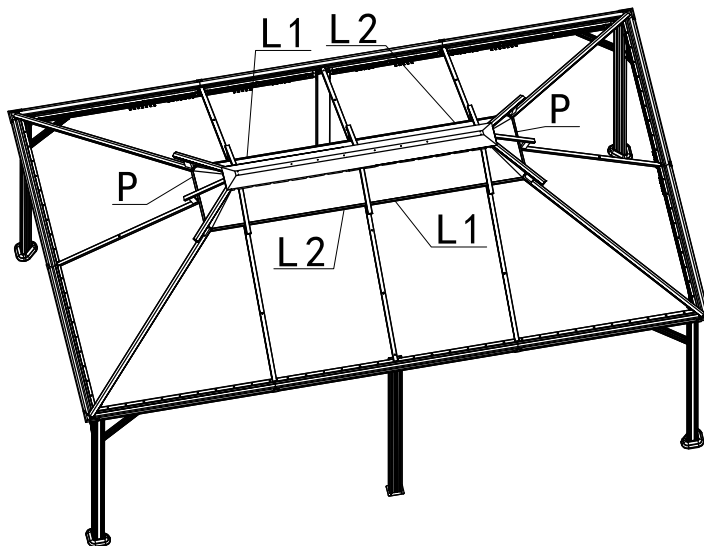
TOP VIEW



INSIDE VIEW

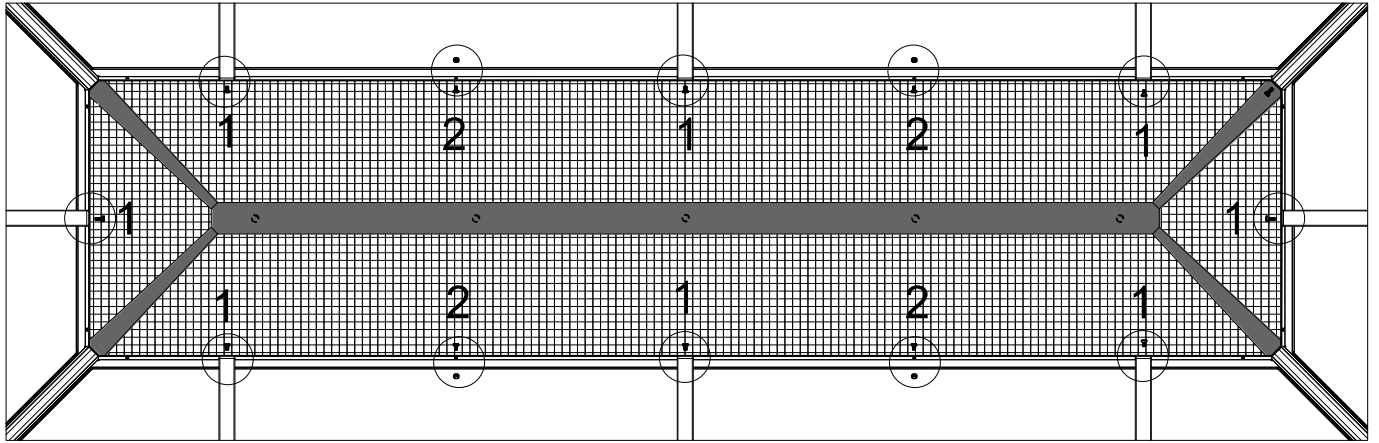


Please do not pull plastic bar out when installing it with #P, L1& L2 on the middle roof tube.



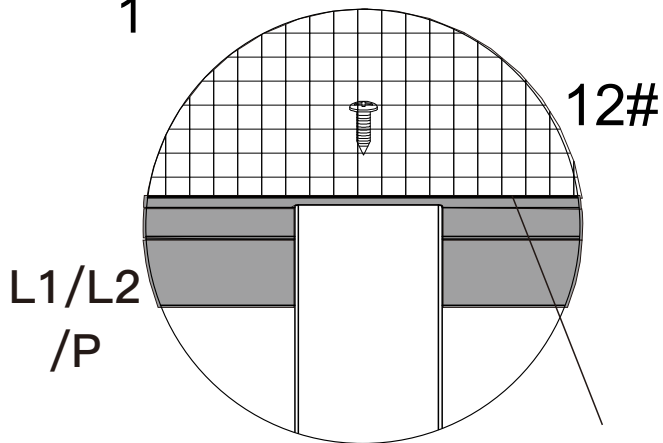
12#
x8

11#
x4

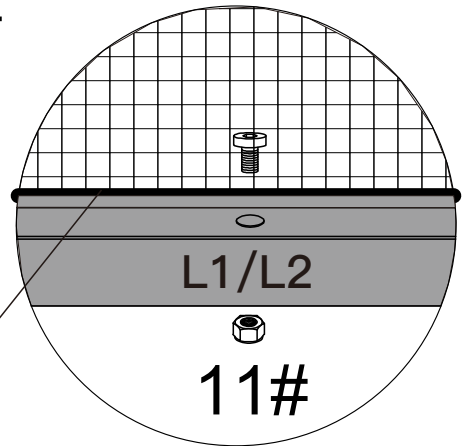


BOTTOM VIEW

1

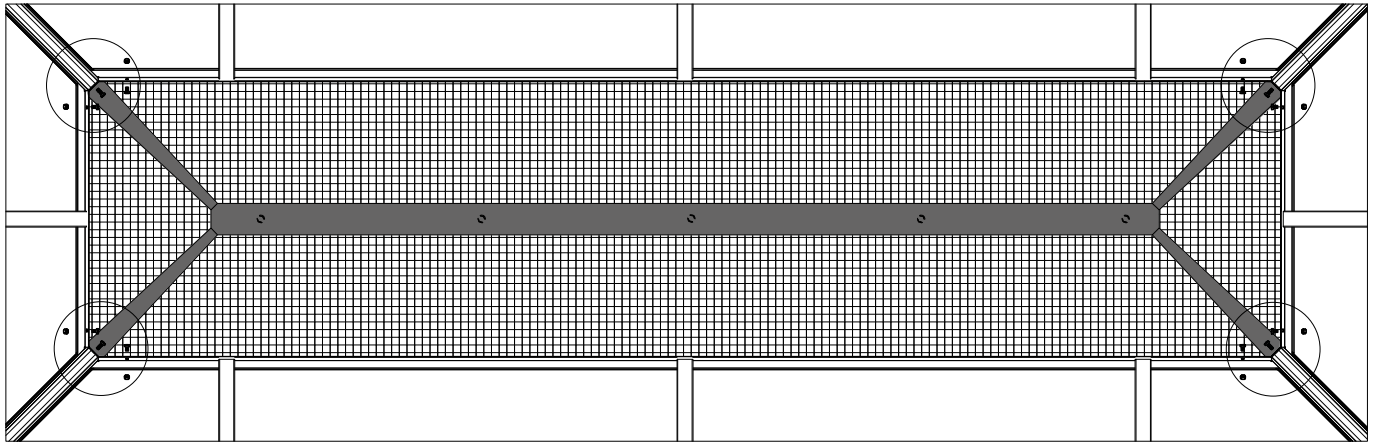
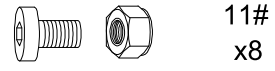
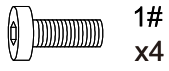
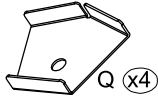


2

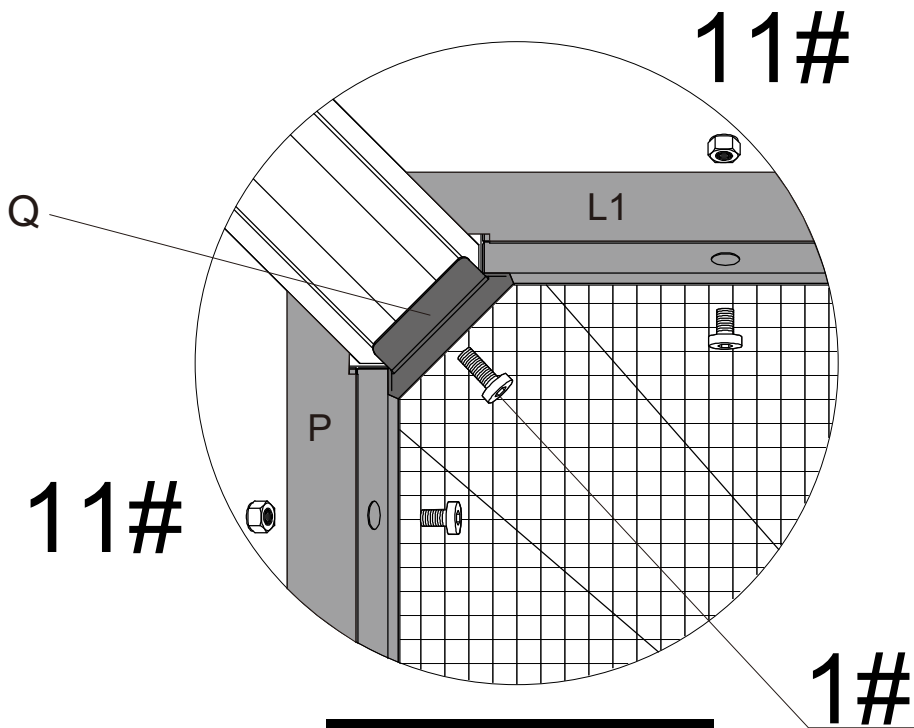


Plastic Bar
in the mesh

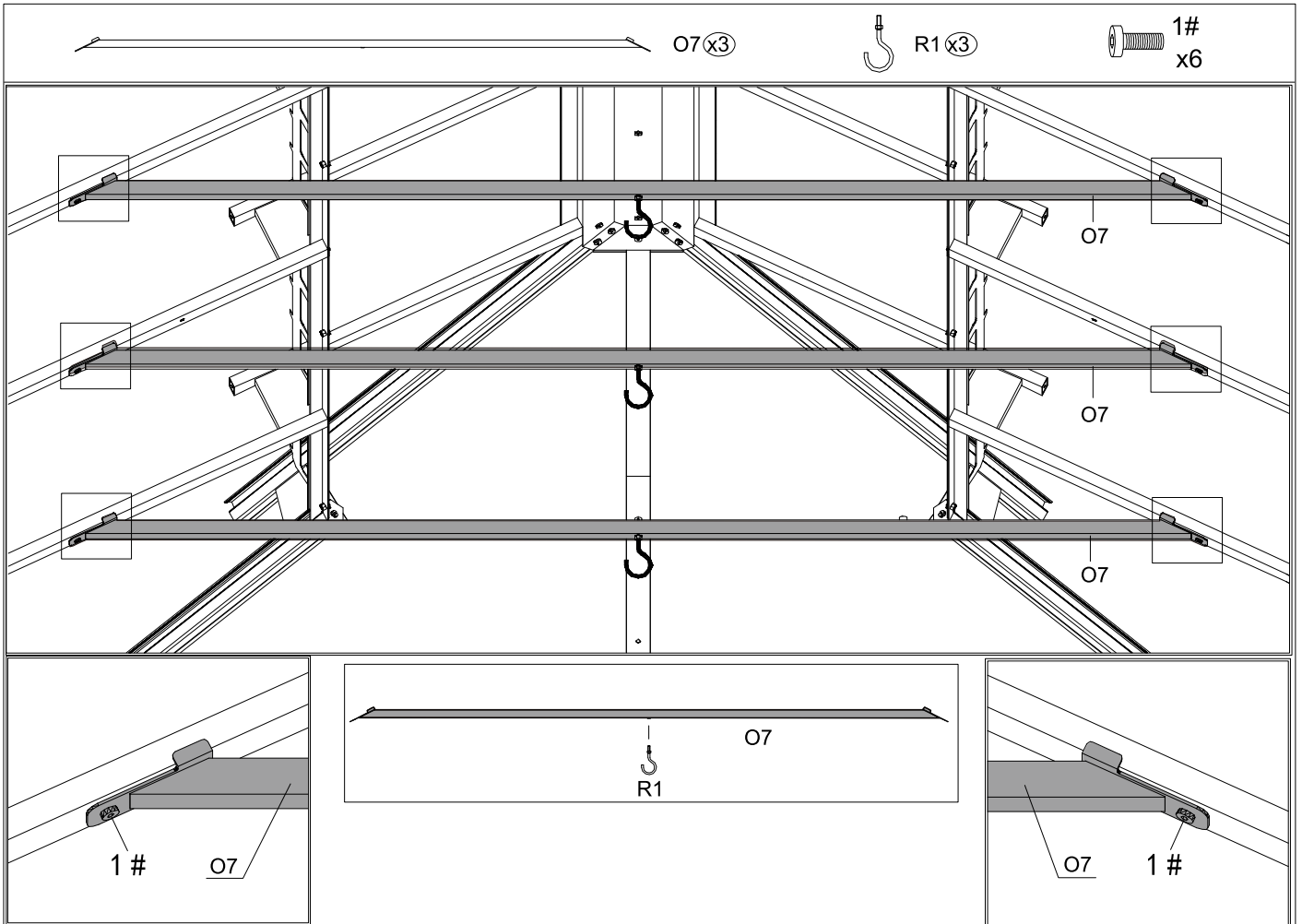
Extend the small mesh, then secure the plastic bar (inside the small mesh) and the finishing bar to the roof tube.



BOTTOM VIEW

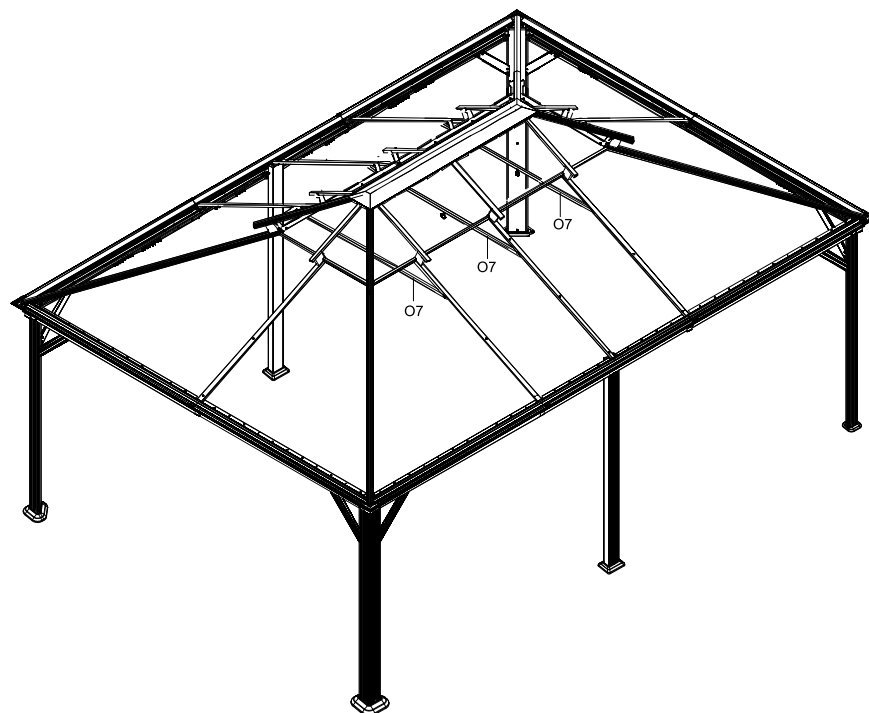


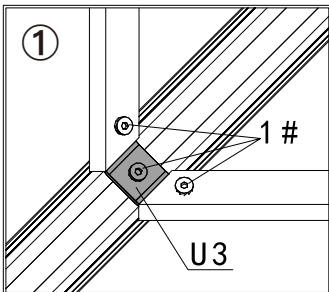
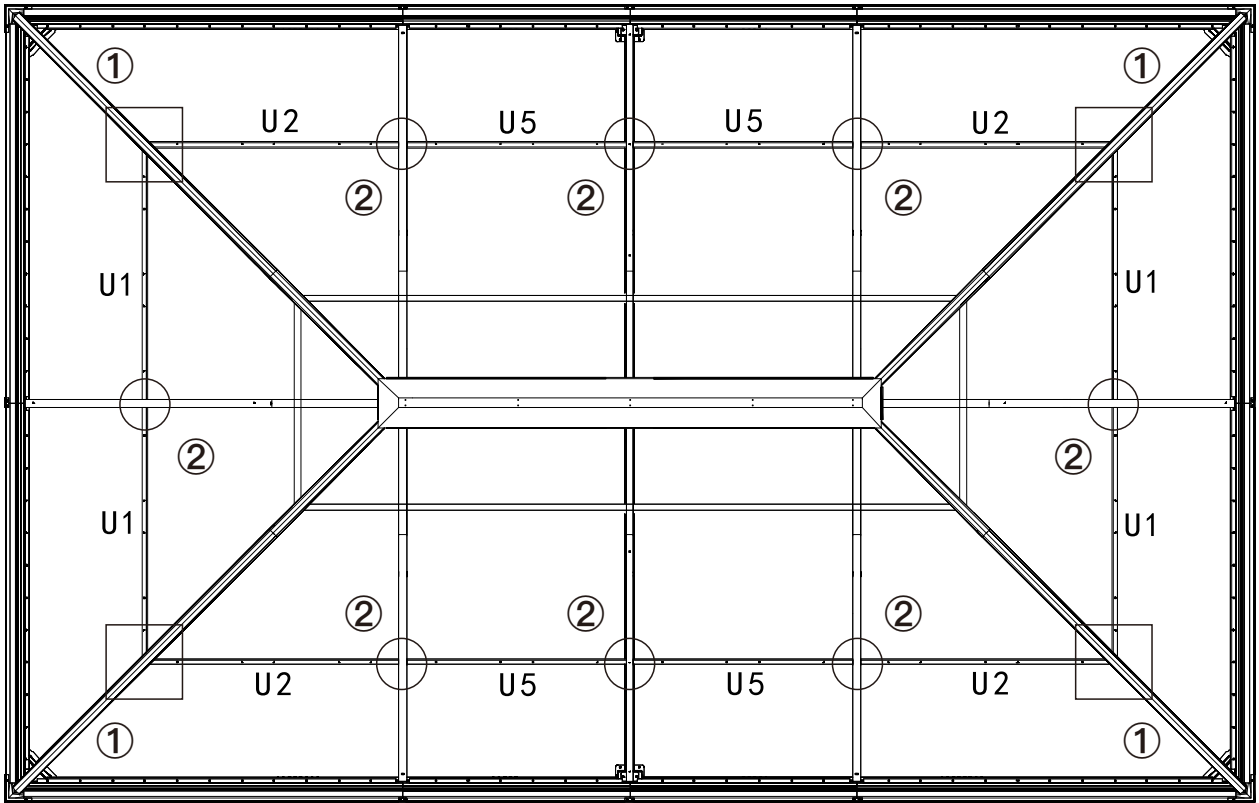
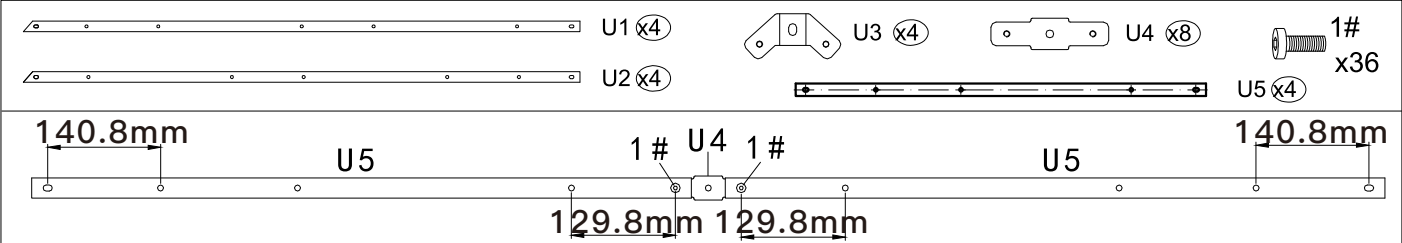
INSIDE VIEW



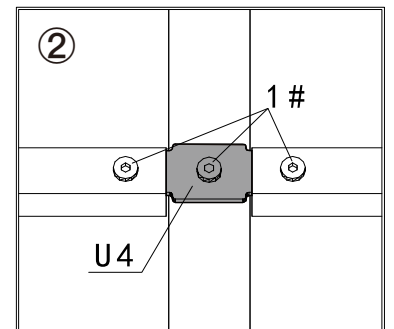
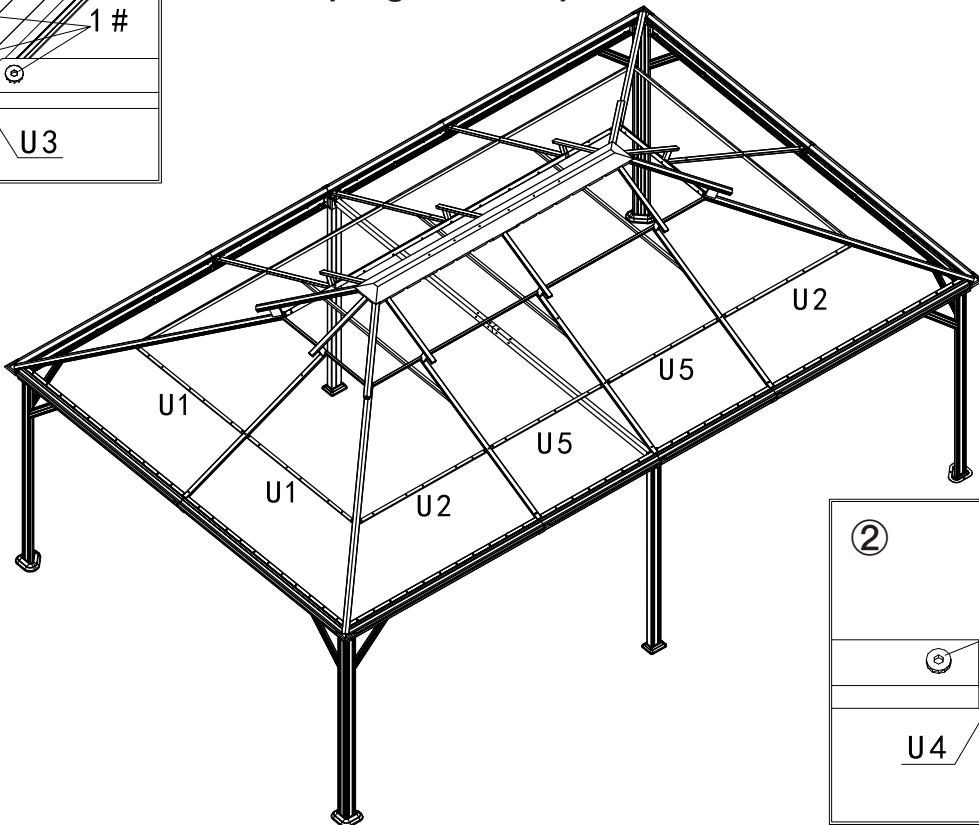
SOLIDIFYING BARS AND HOOKS ASSEMBLY:

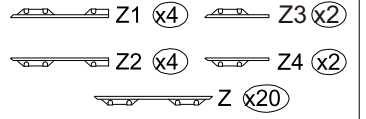
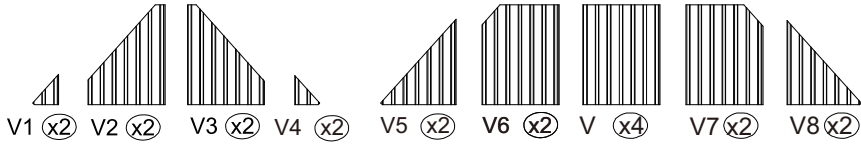
- (1) Attach 3 Part #O7 to the frame and use 6 Screws 1# to fix.
- (2) Screw Hooks #R1 onto the Bar Part #O7.



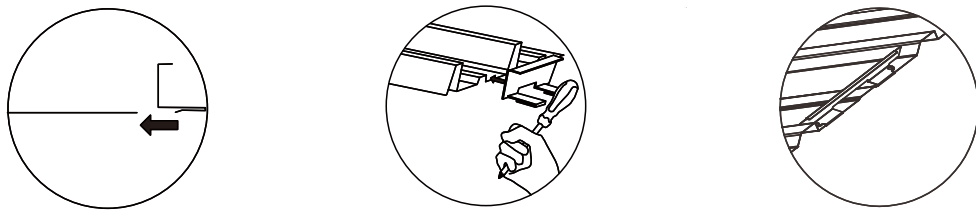
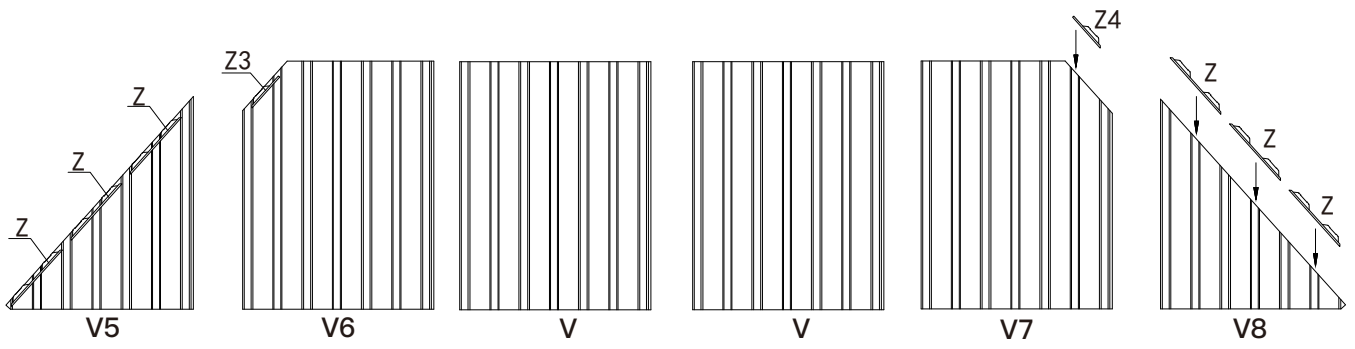
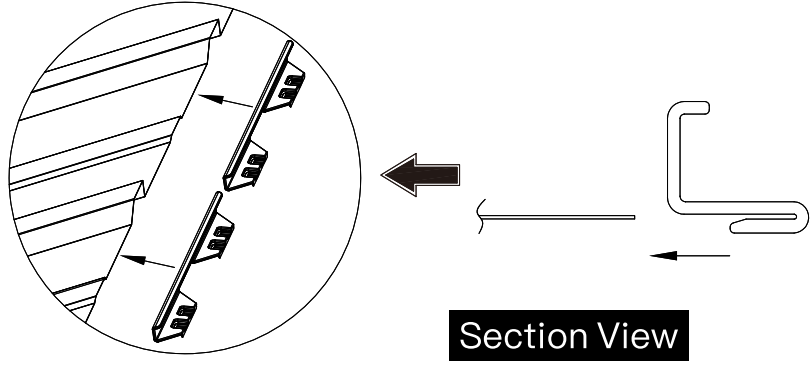
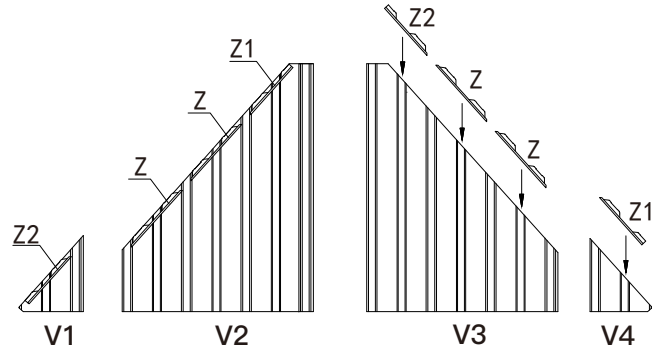


Note: If #U5 does not fit properly, the ends of the Solidifying Bar may be installed in reverse.

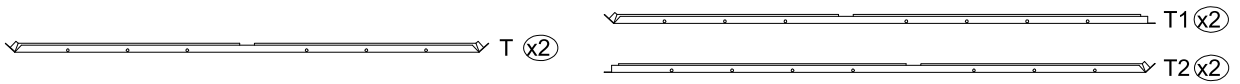




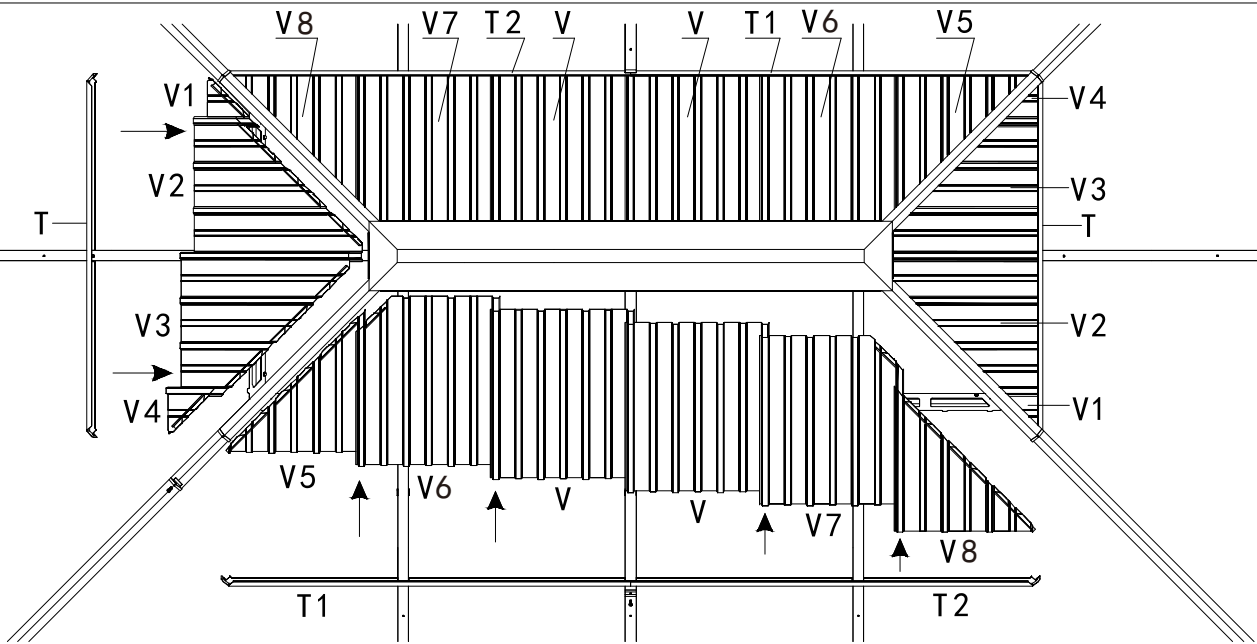
Remove the protective film of the panels before installing the roof panels.
Please install Plastic Clips in strict accordance with the instructions.



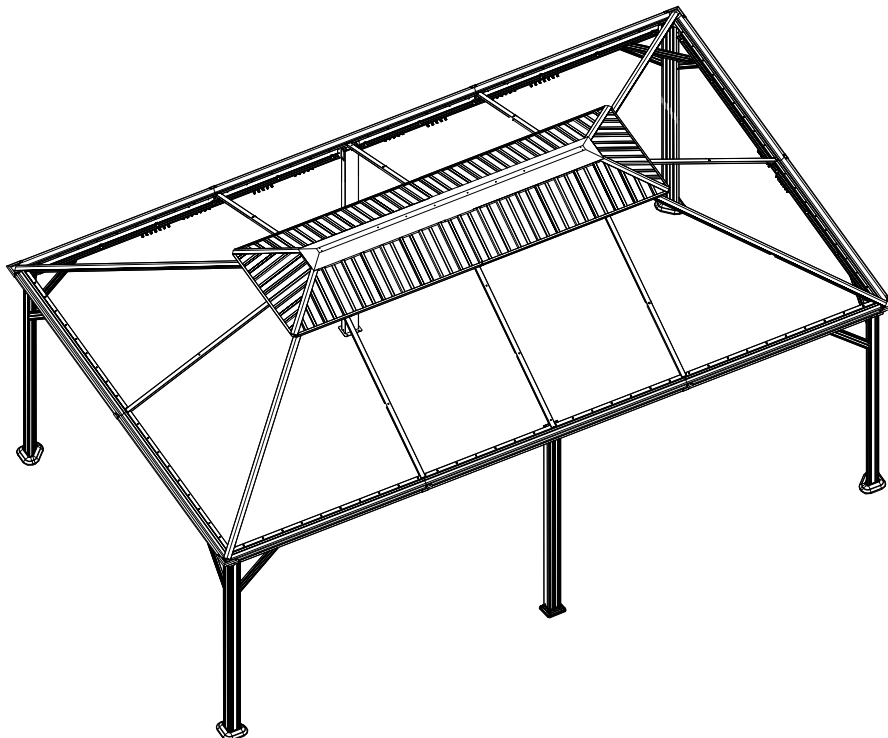
Attach Part #Z,#Z1,#Z2,#Z3& #Z4 by lightly tapping with screwdriver.

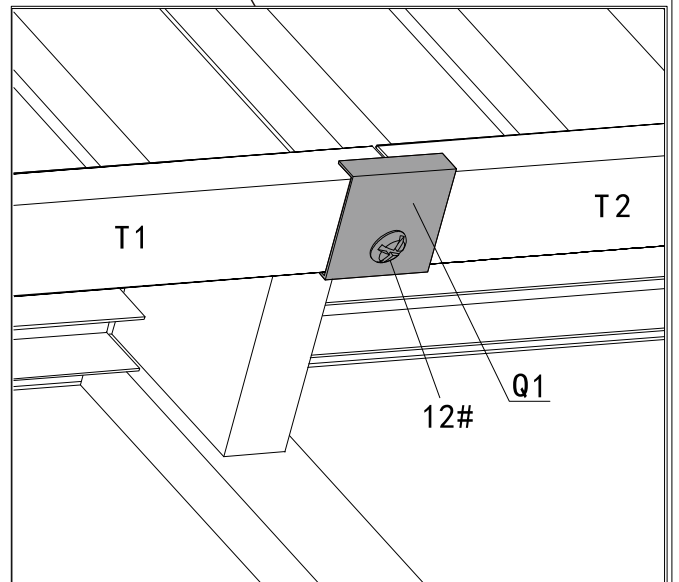
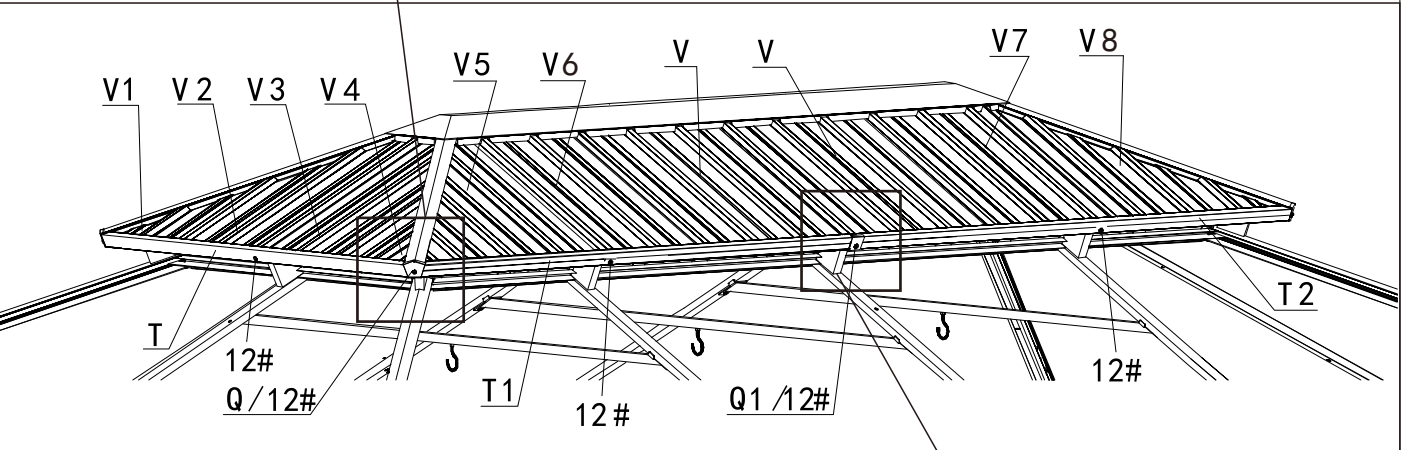
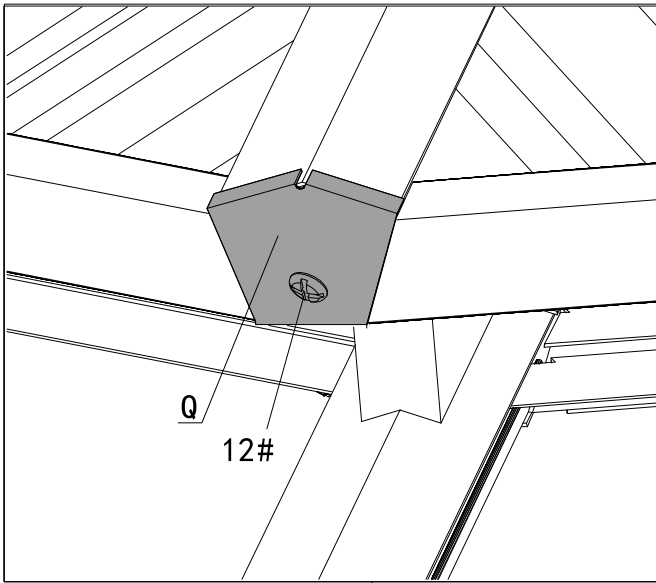
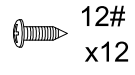
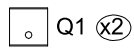
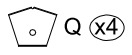


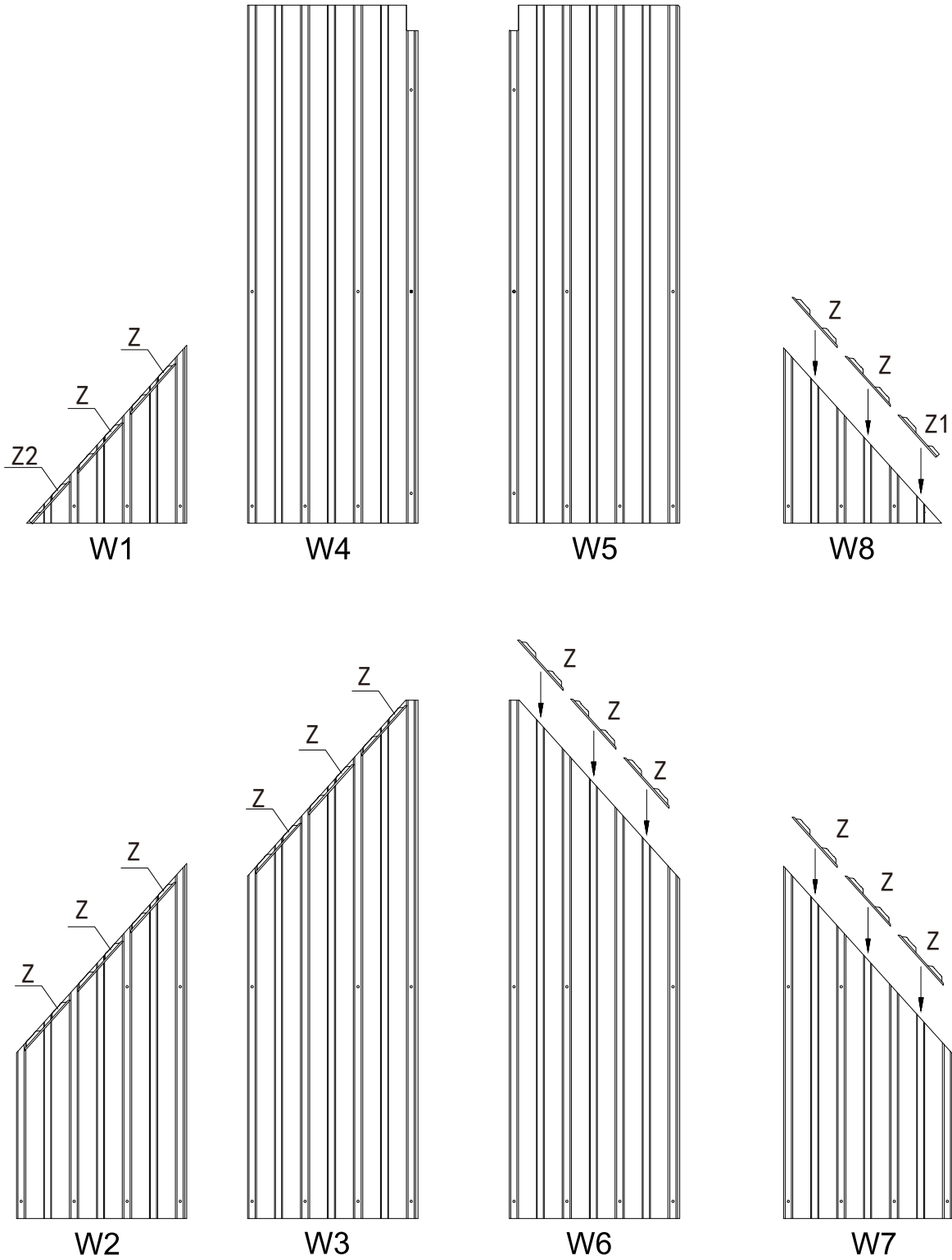
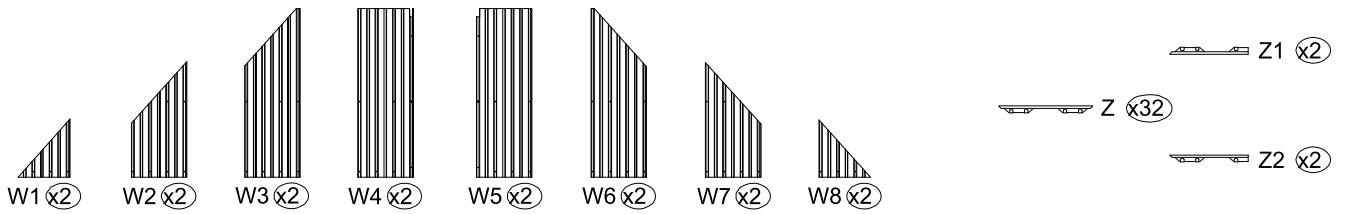
SMALL ROOF ASSEMBLY:



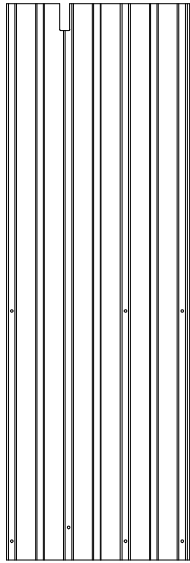
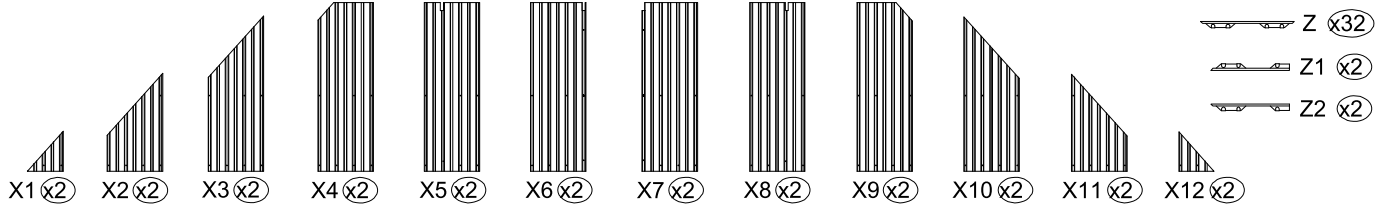
If you can't install #V, push the Outside Roof Cover up and try to insert them again.



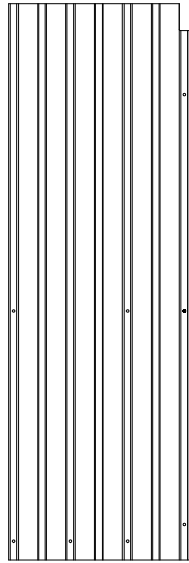




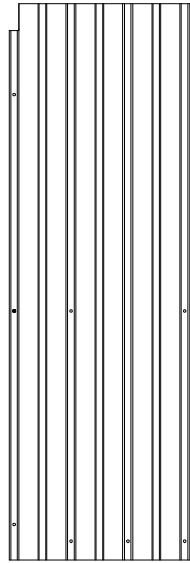
Please install Clips #Z,#Z1&#Z2 in strict accordance with the instructions.



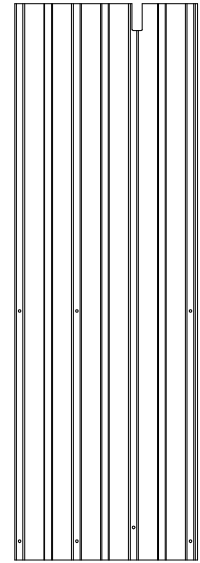
X5



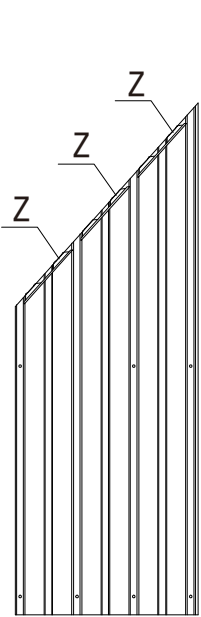
X6



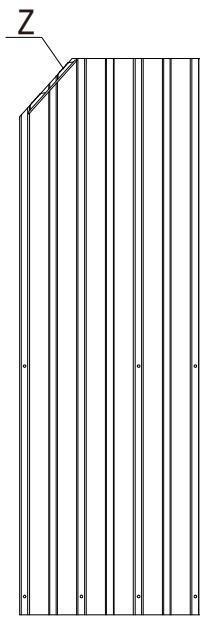
X7



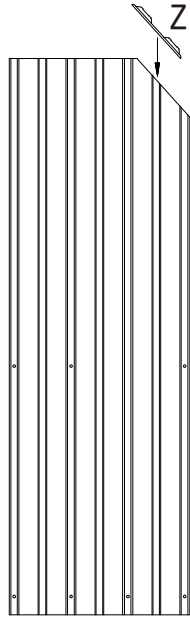
X8



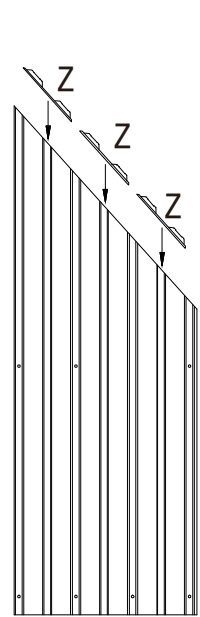
X3



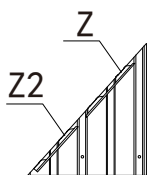
X4



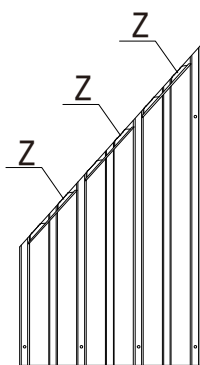
X9



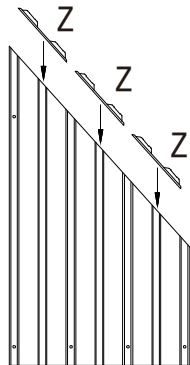
X10



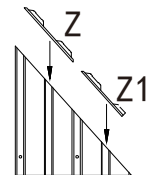
X1



X2



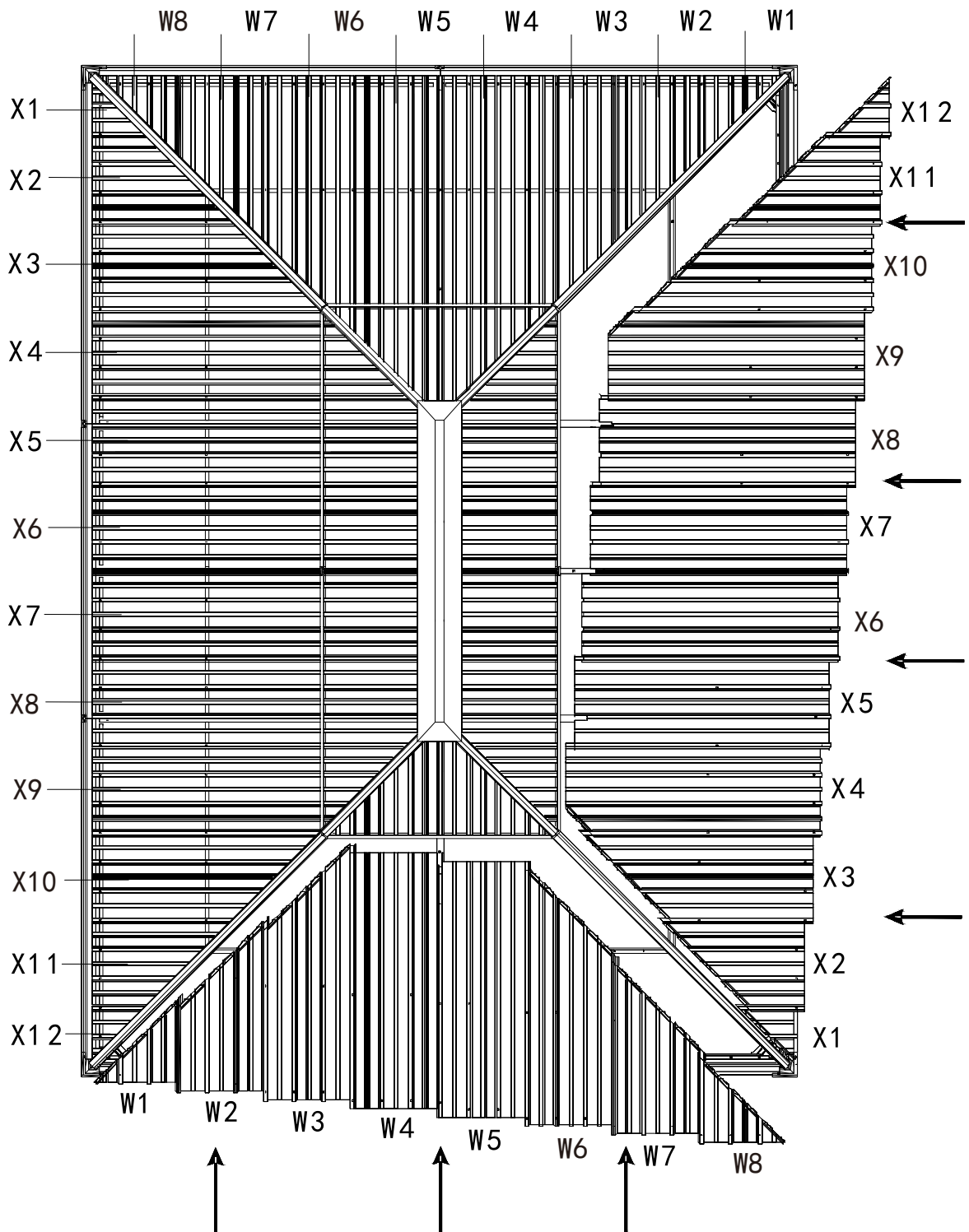
X11



X12

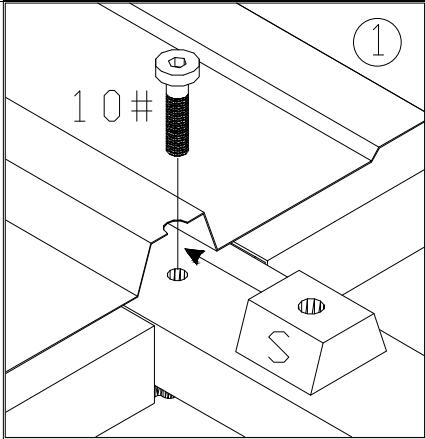
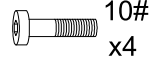
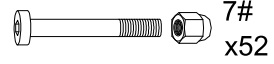
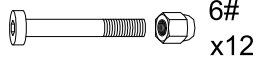
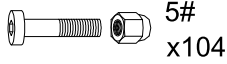
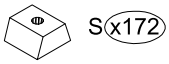
OVER ALL ROOF PANELS ASSEMBLY:

Install the Middle Panels (#X6, X7 or #W4,W5) first, then the small panels on the edge.

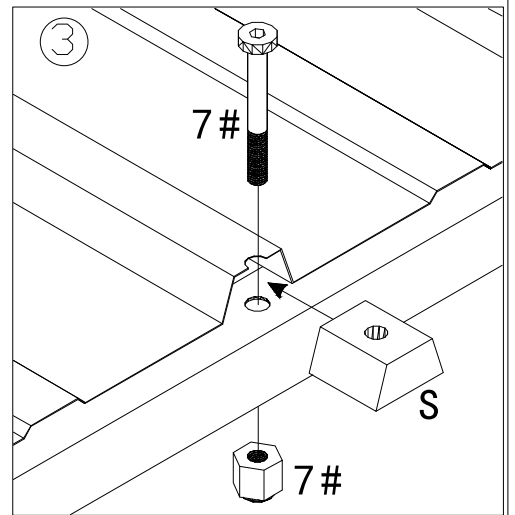
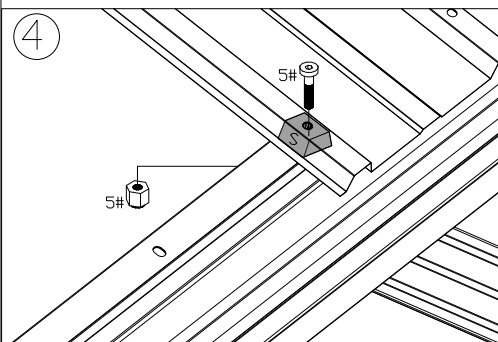
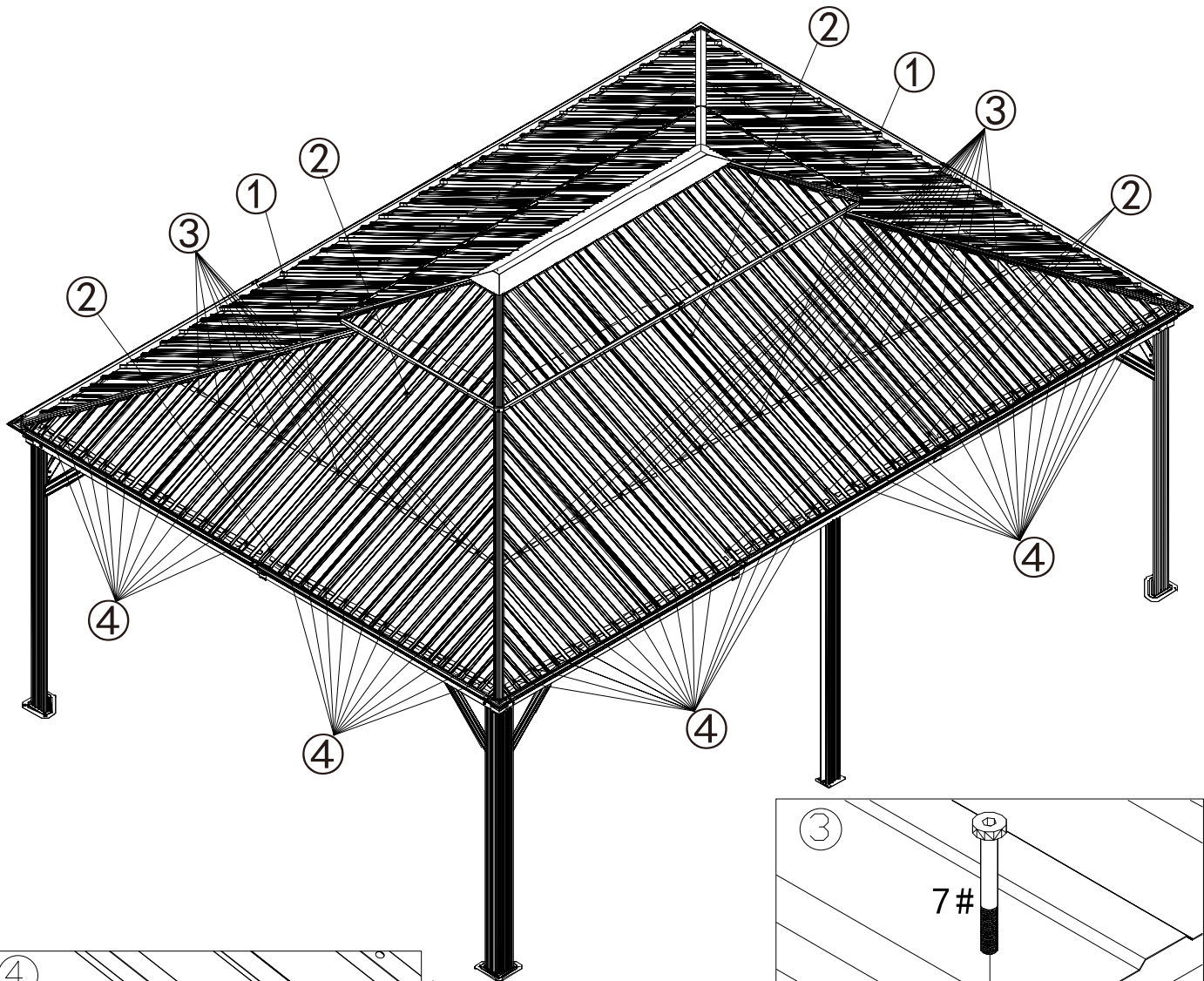
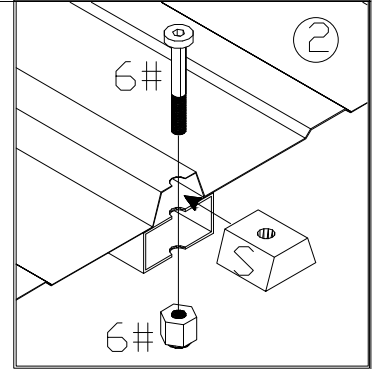


Remove the protective film of the panels before installing the roofing panels.

The Black Rubber #S should be assembled when installing the roof panels; please see the next page.

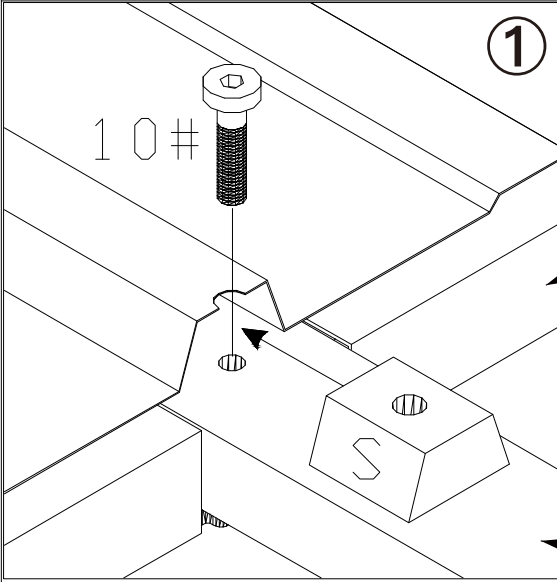


The Black Rubber #S should be inserted between roof panels and solidifying bars or beams, then secure with bolts and nuts.



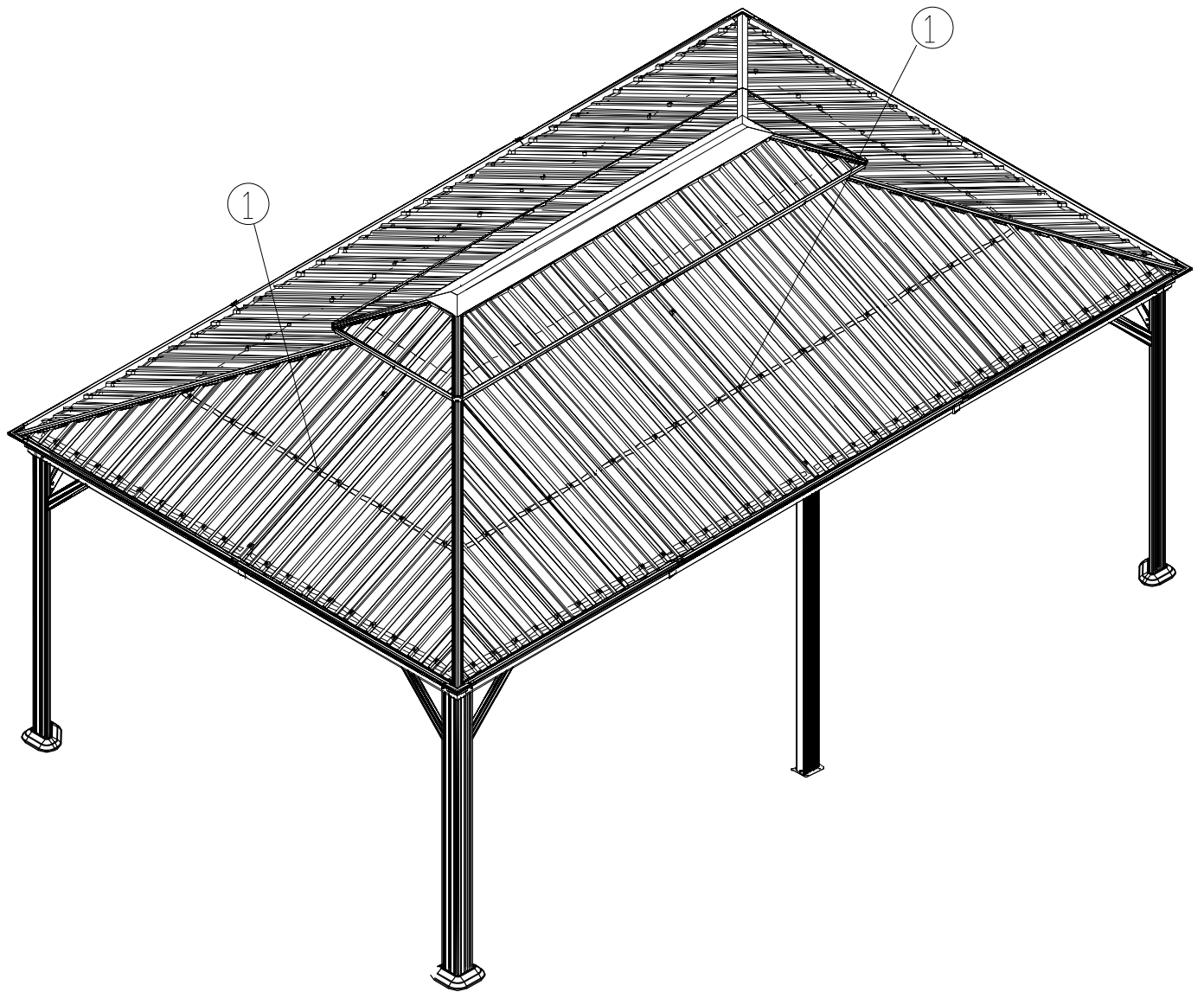
S x4

10#
x4



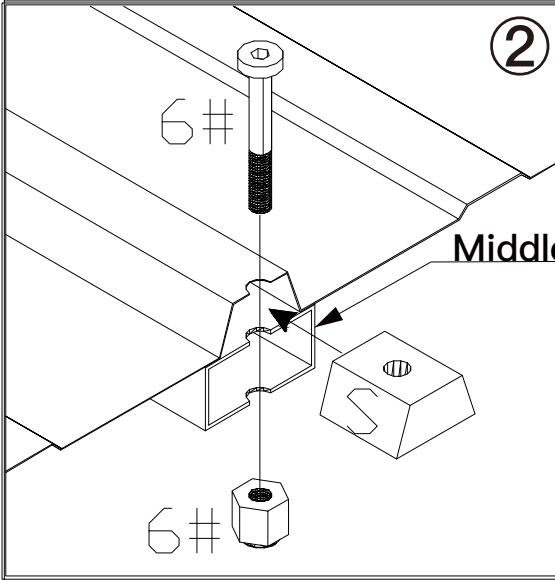
Solidifying Bar

Middle Roof Tube

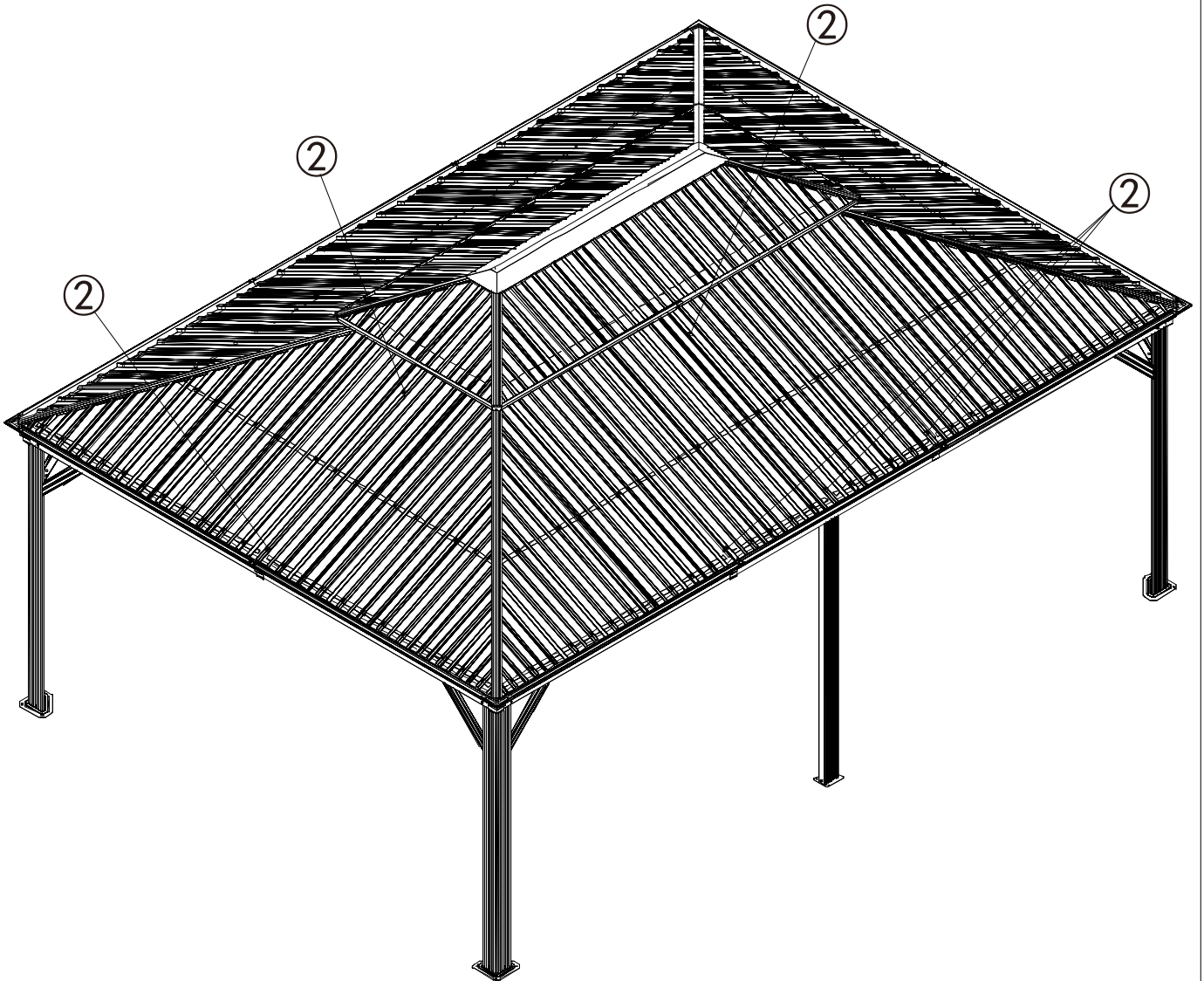


S x12

6# x12

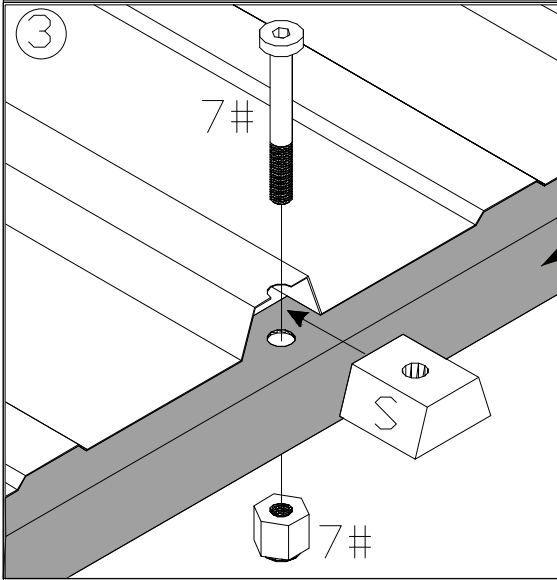


Middle Roof Tube

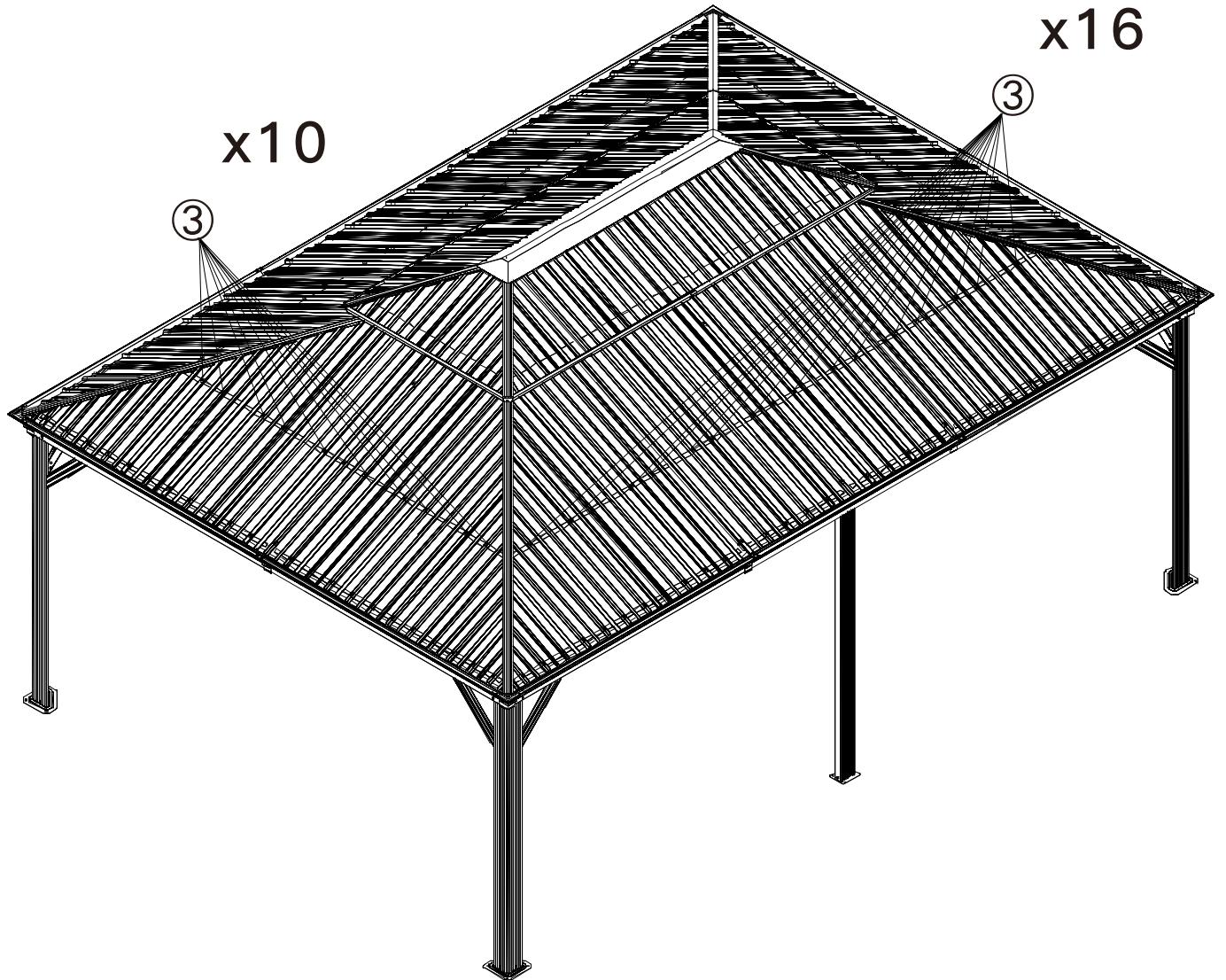


S x52

7# x52



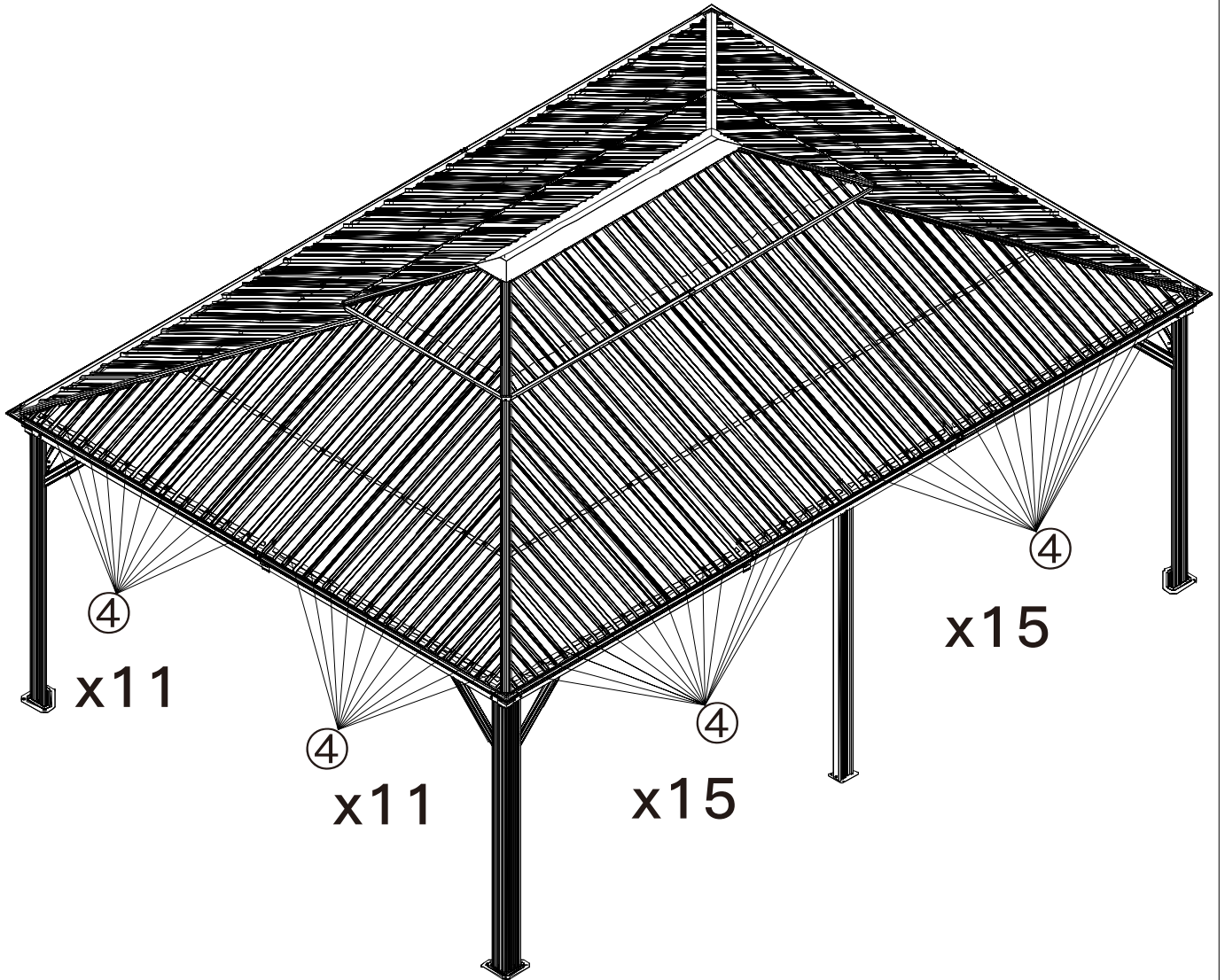
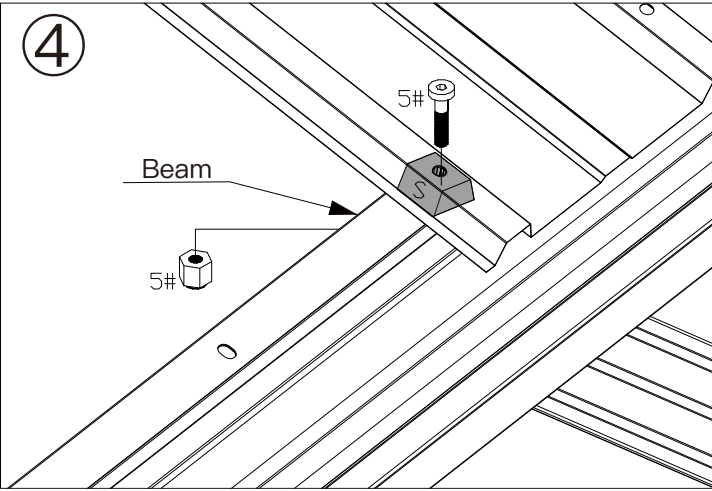
Solidifying Bar

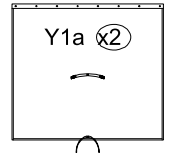
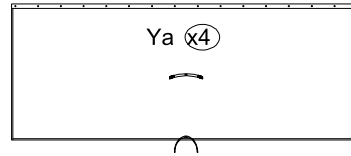
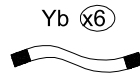
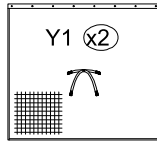
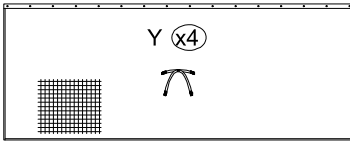


S x104

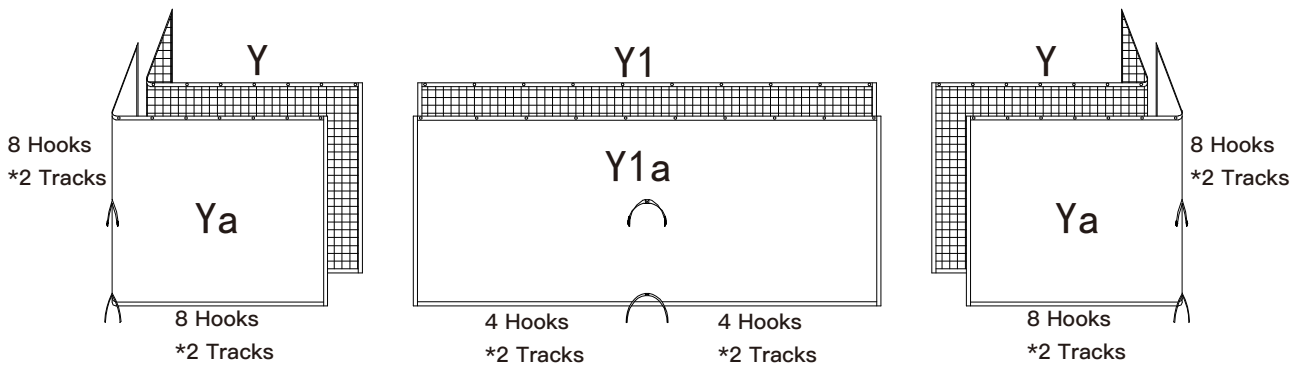
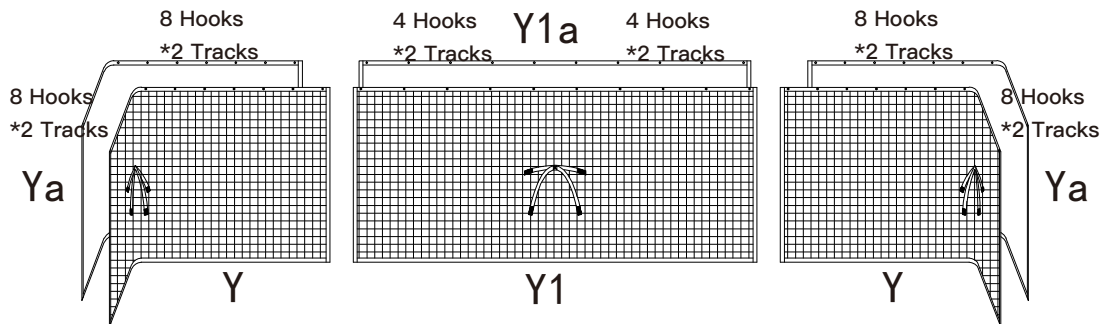
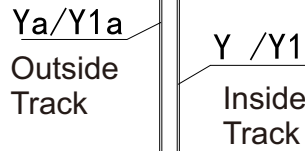
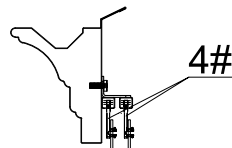
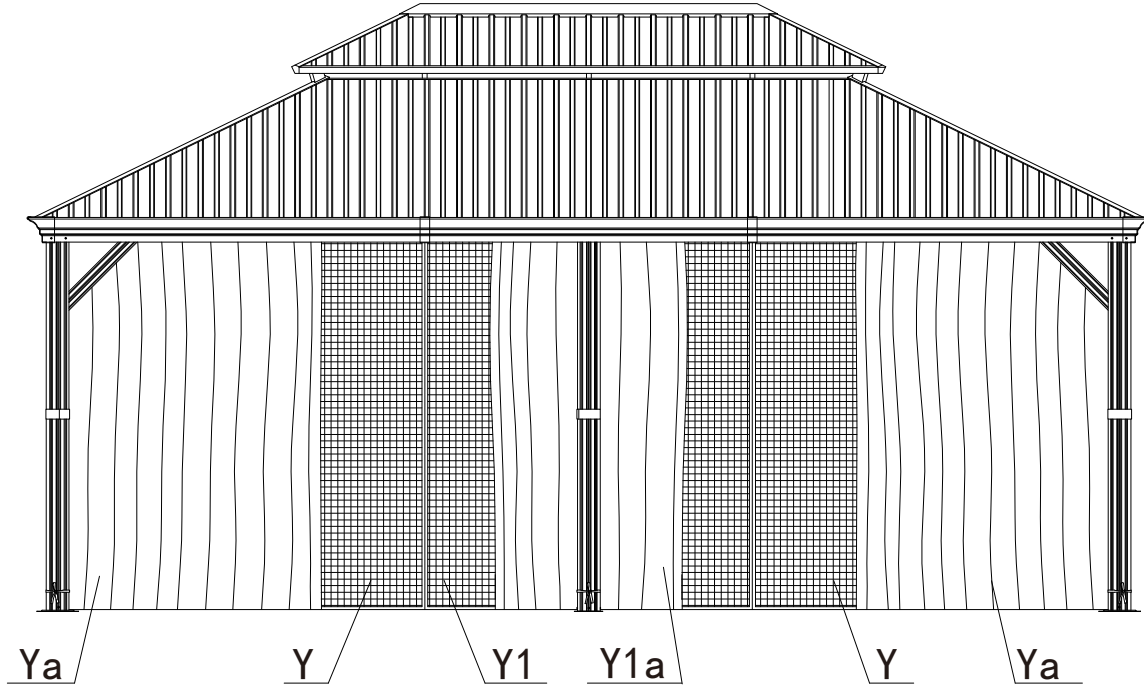
5#
x104

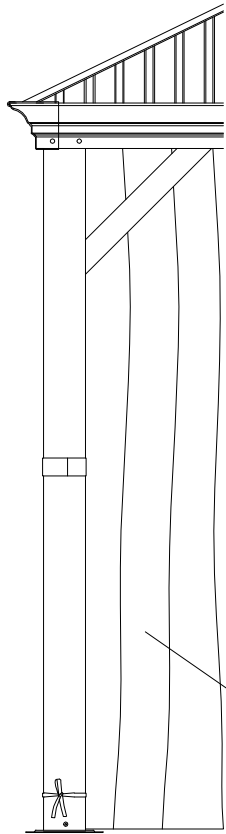
4





MOSQUITO NETTING AND SOLID SIDEWALL ASSEMBLY:

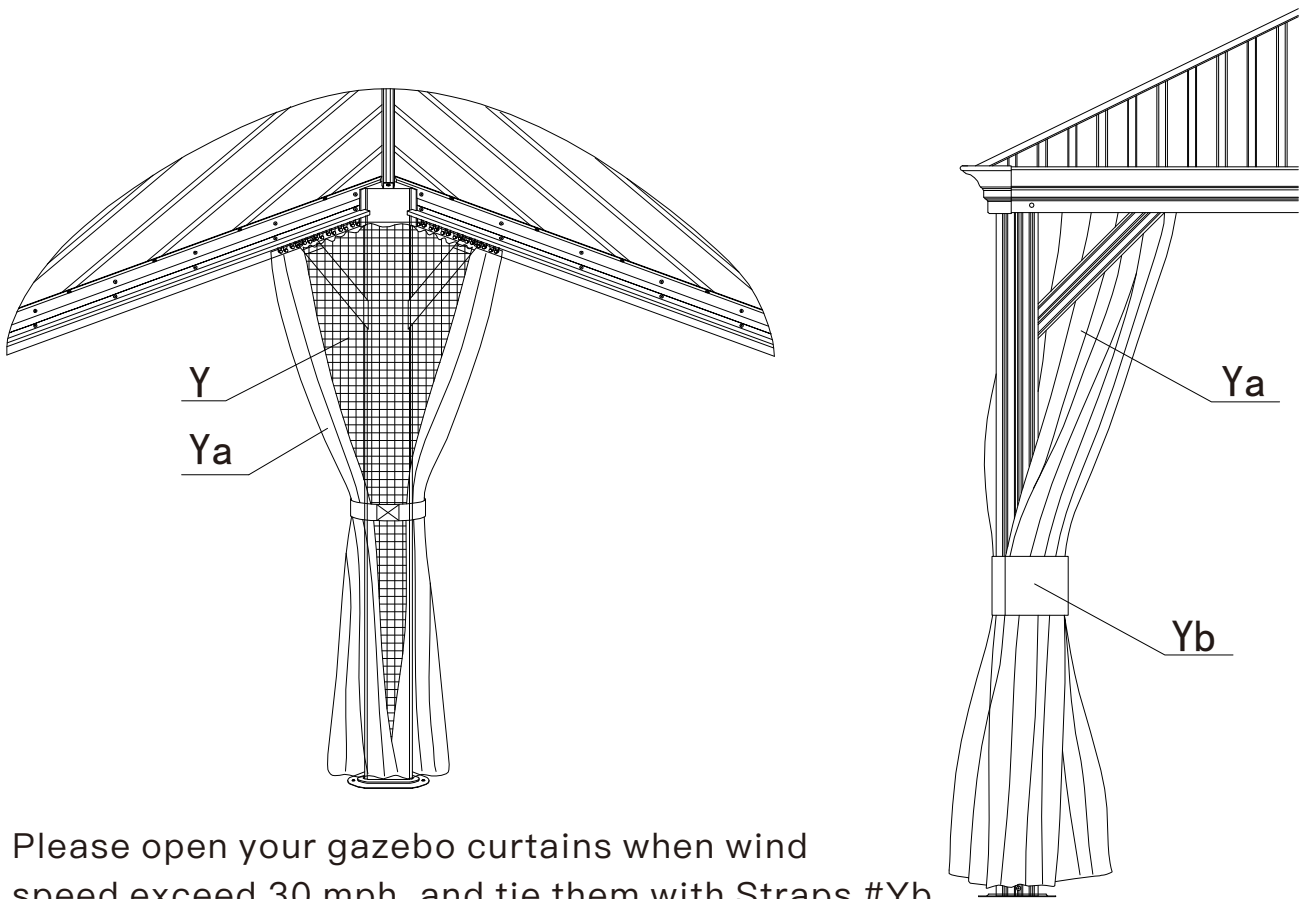
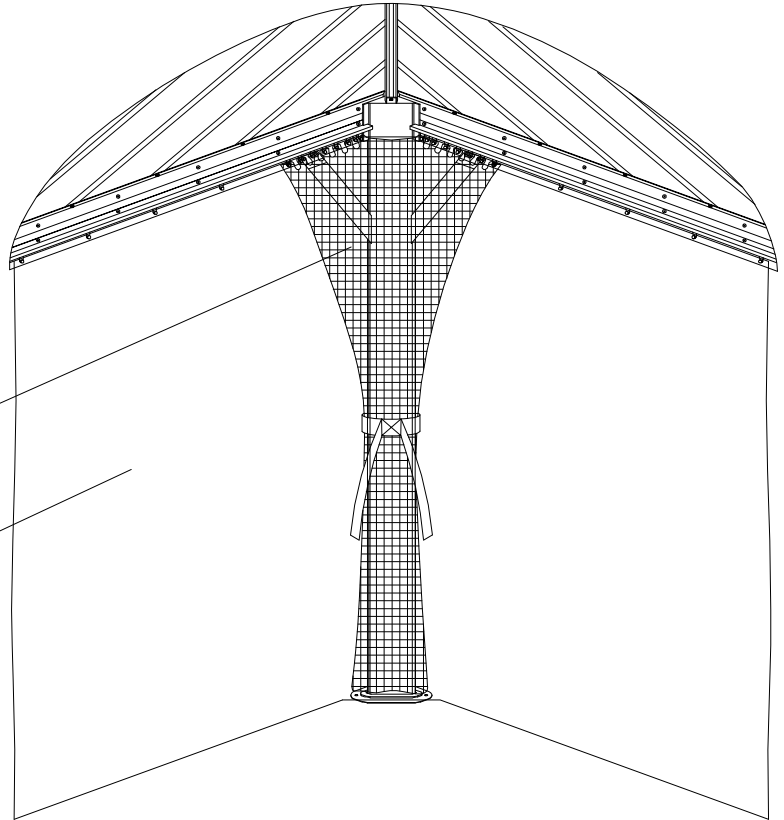




Ya

Ya

Y



Please open your gazebo curtains when wind speed exceed 30 mph, and tie them with Straps #Yb.



Thanks for your purchase.

At domi outdoor living, we believe in our products.

That's why we provide a 12-month warranty and friendly, easy-to-reach after-sales service. So, if you have any questions about our product or assembly, please feel free to contact us. We are here for you.

Support:  

After-sales contact email:

service@domioutdoorliving.com

Business cooperation contact email:

marketing@domioutdoorliving.com

Please have your order ID available if you reach out for support.

If you have damaged parts or product, please send us photos for an immediate response.