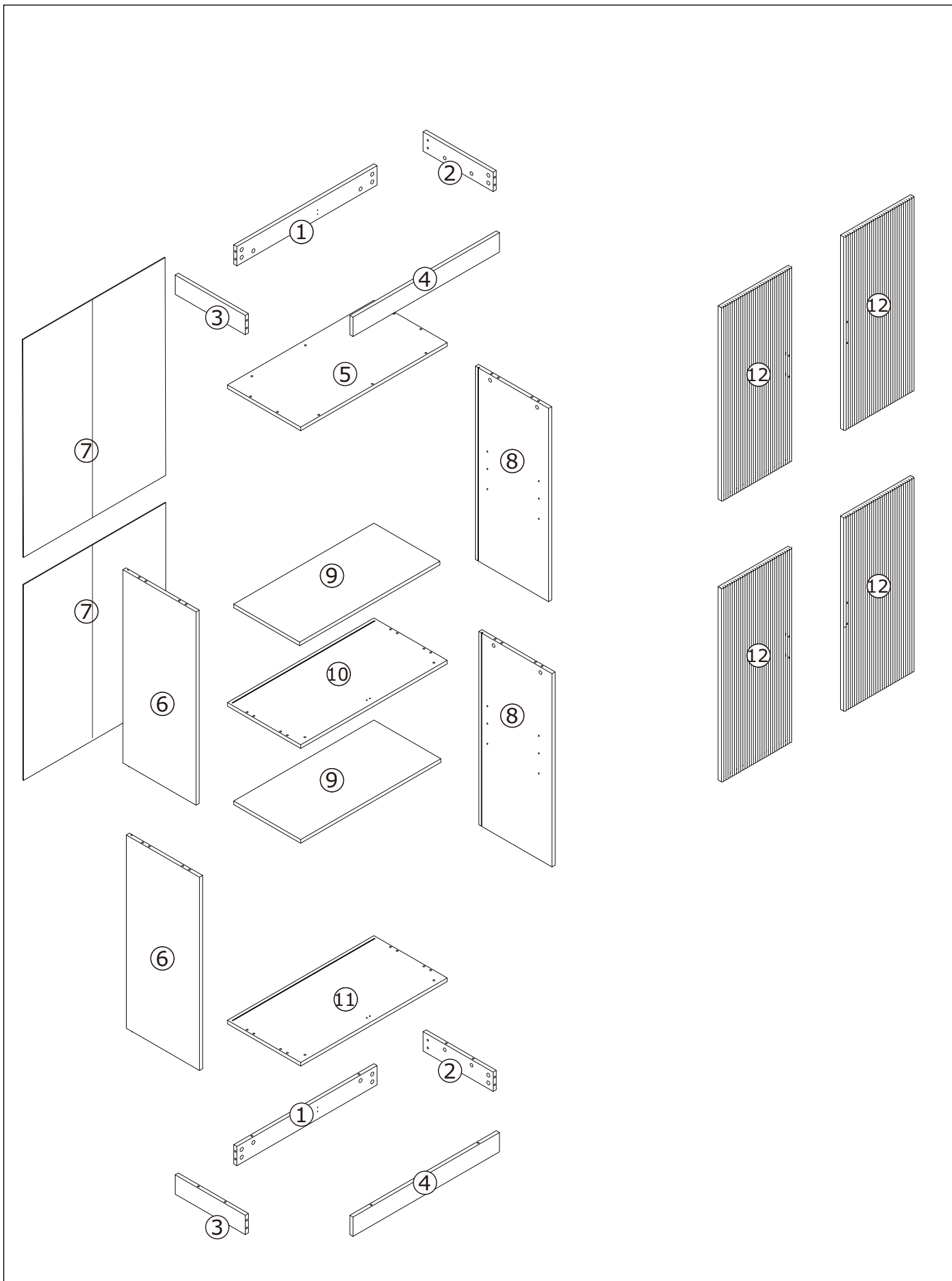
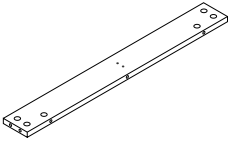
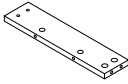
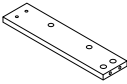
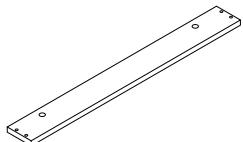
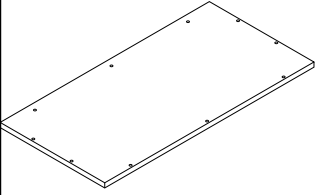
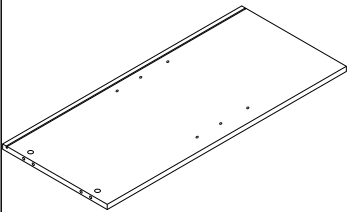
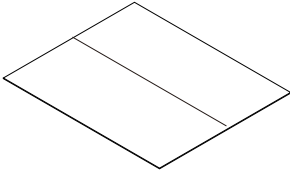
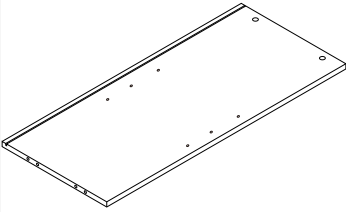
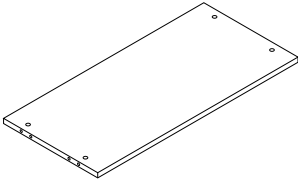
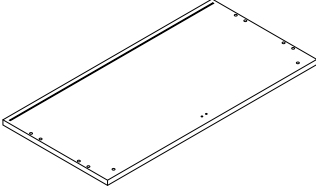
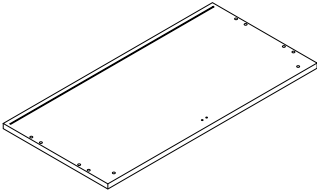
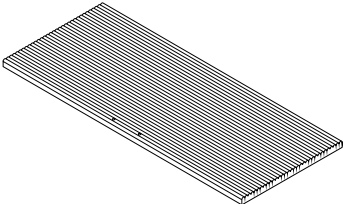


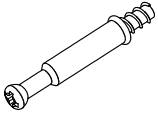

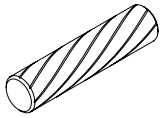

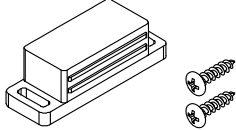

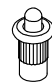
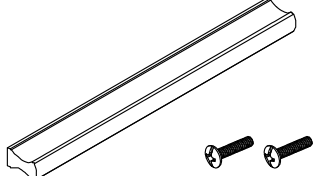

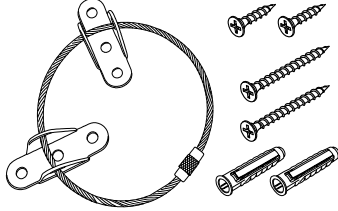
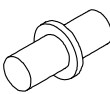
Installation instruction



Parts and Operation Elements

			
① 2pcs	② 2pcs	③ 2pcs	④ 2pcs
			
⑤ 1pc	⑥ 2pcs	⑦ 2 pcs	⑧ 2pcs
			
⑨ 2pcs	⑩ 1pc	⑪ 1pc	⑫ 4pcs

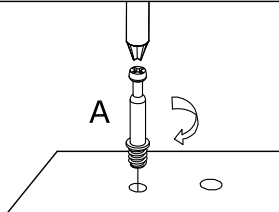
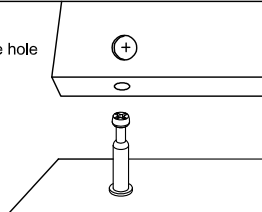
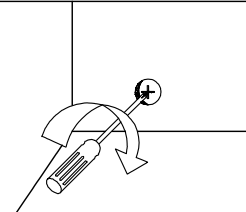
Hardware

 Cam bolt		 Cam lock		 6x30mm wood		 Ø4 x 40mm	
A	40+3pcs	B	40+3pcs	C	20+3pcs	D	8+1pcs
 3x14mm Screw		 3x12mm Screw		 8pcs		 4x18mm Screw	
E	4pcs	F	8pcs	G	8pcs	H	4pcs
 3x16mm		 1pc		 8pcs			
I	8pcs	J	1pc	K	8pcs		

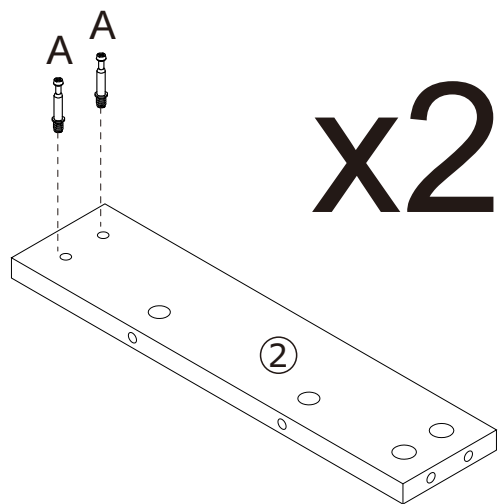
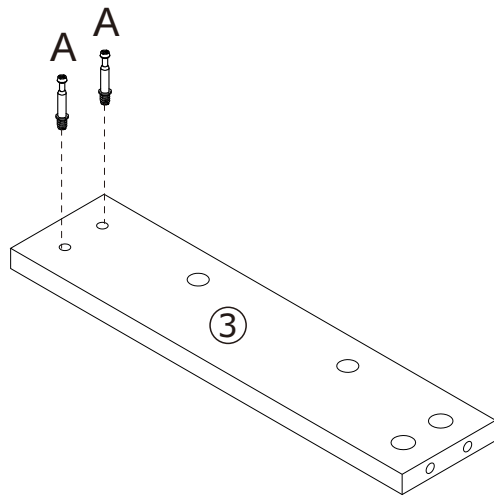
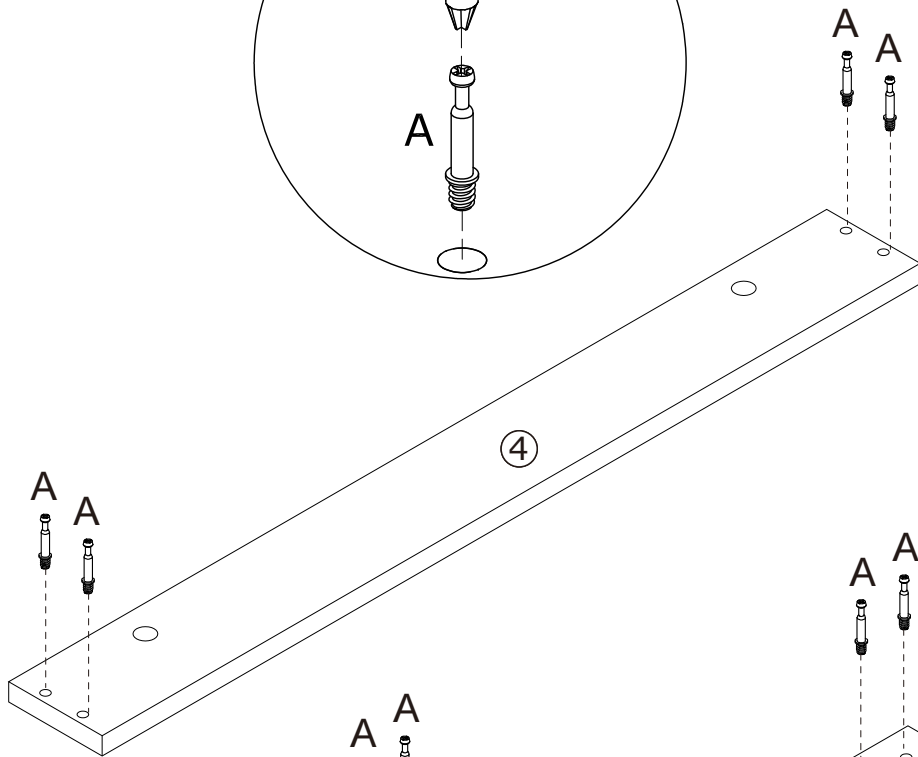
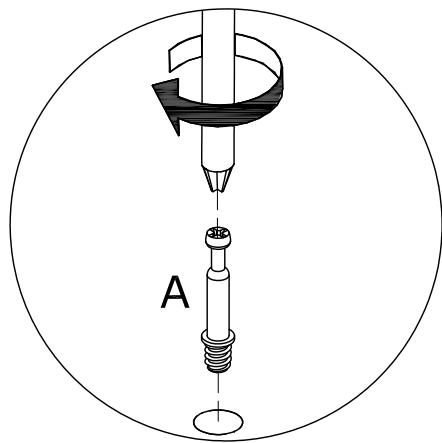
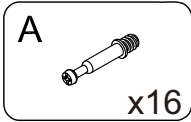


SPARE BAG

THE SPARE BAG INCLUDED EXTRA HARDWARE FOR DAMAGED OR MISSING SMALL HARDWARE WHILE YOU ARE ASSEMBLING


 <p>A</p>	<p>Arrow must face hole</p> 	
<p>Gently screw cam bolt into the threaded anchor</p>		<p>Screw the camlock firmly into locked position.</p>

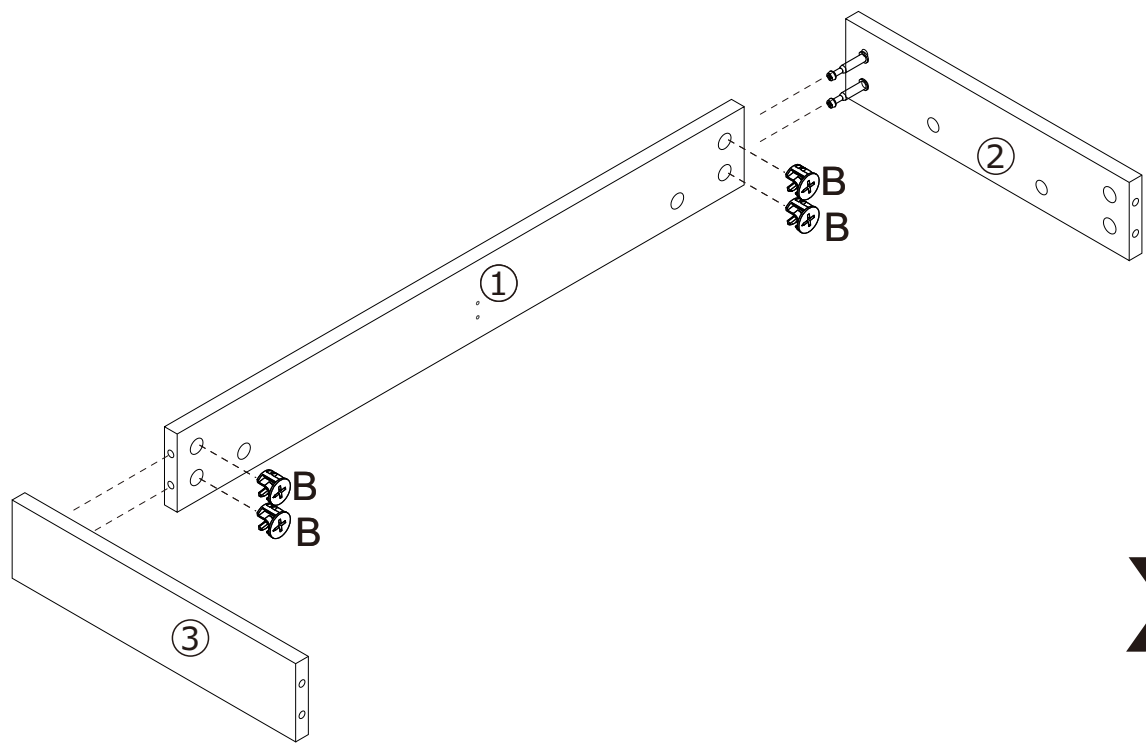
1



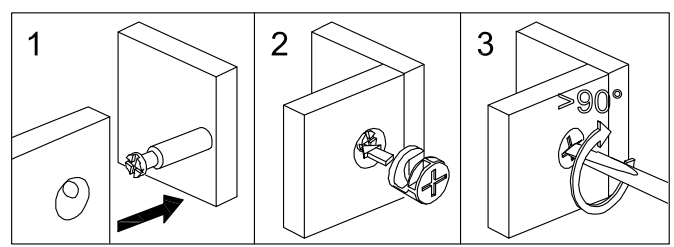
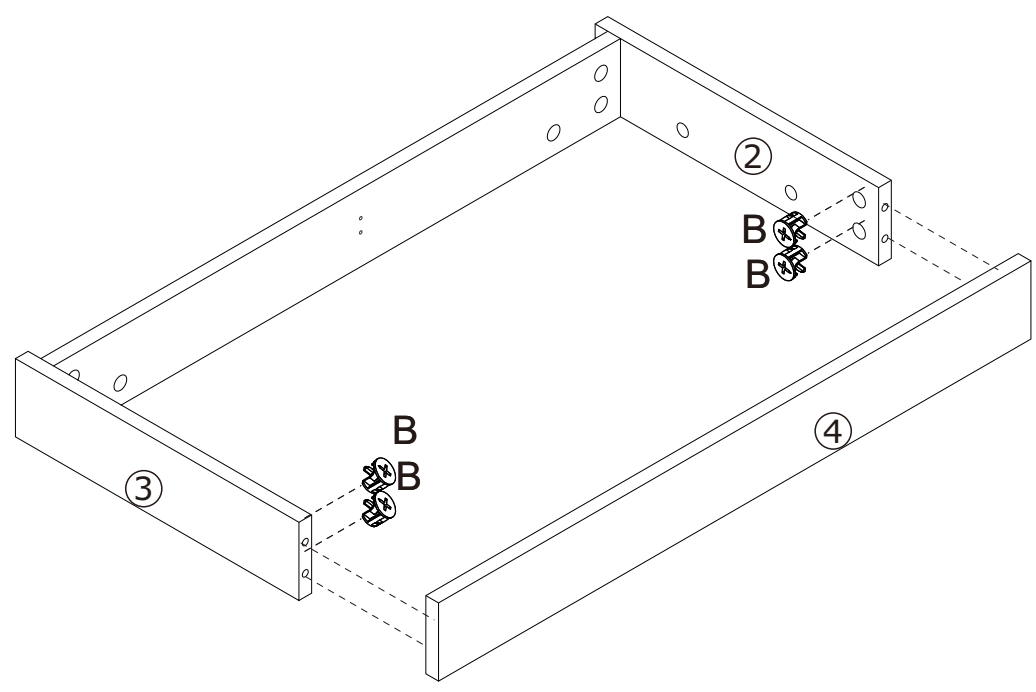
x2

2




B  x16

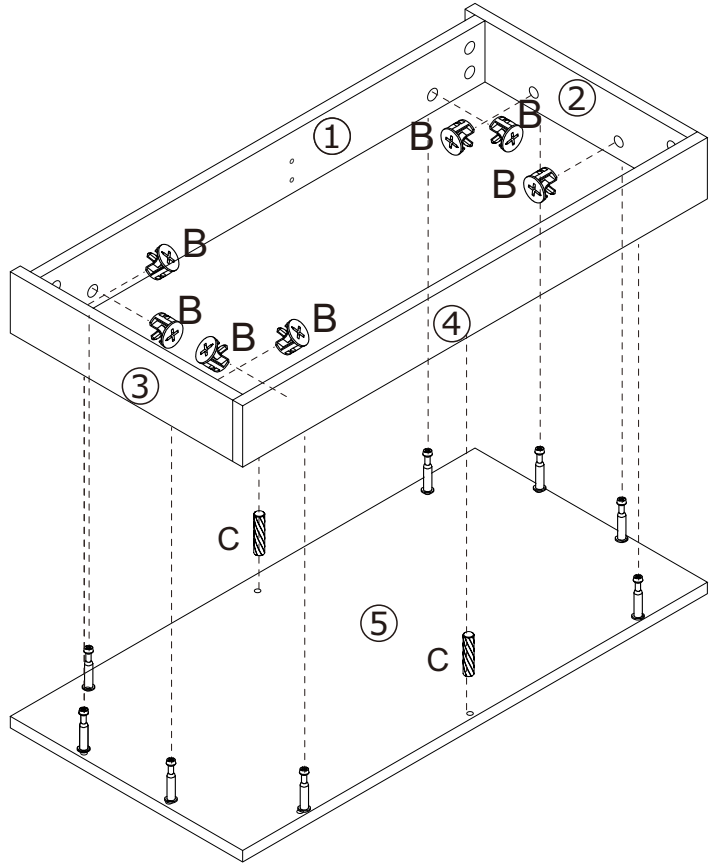
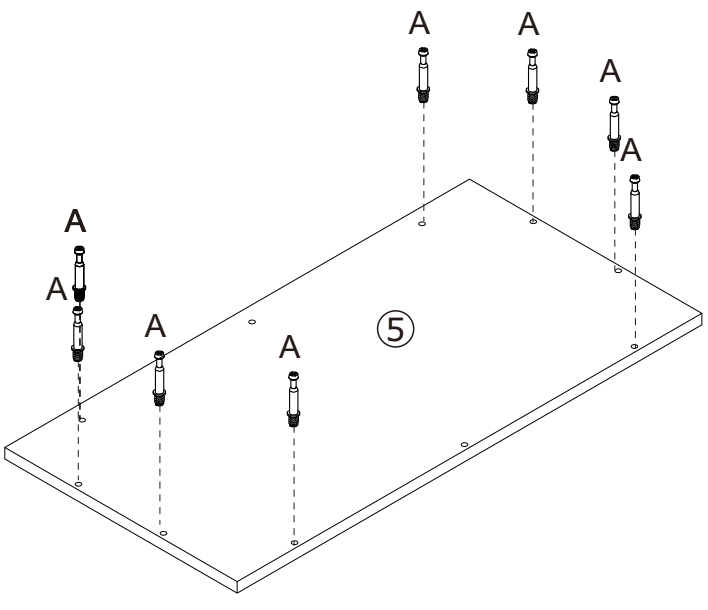


x2






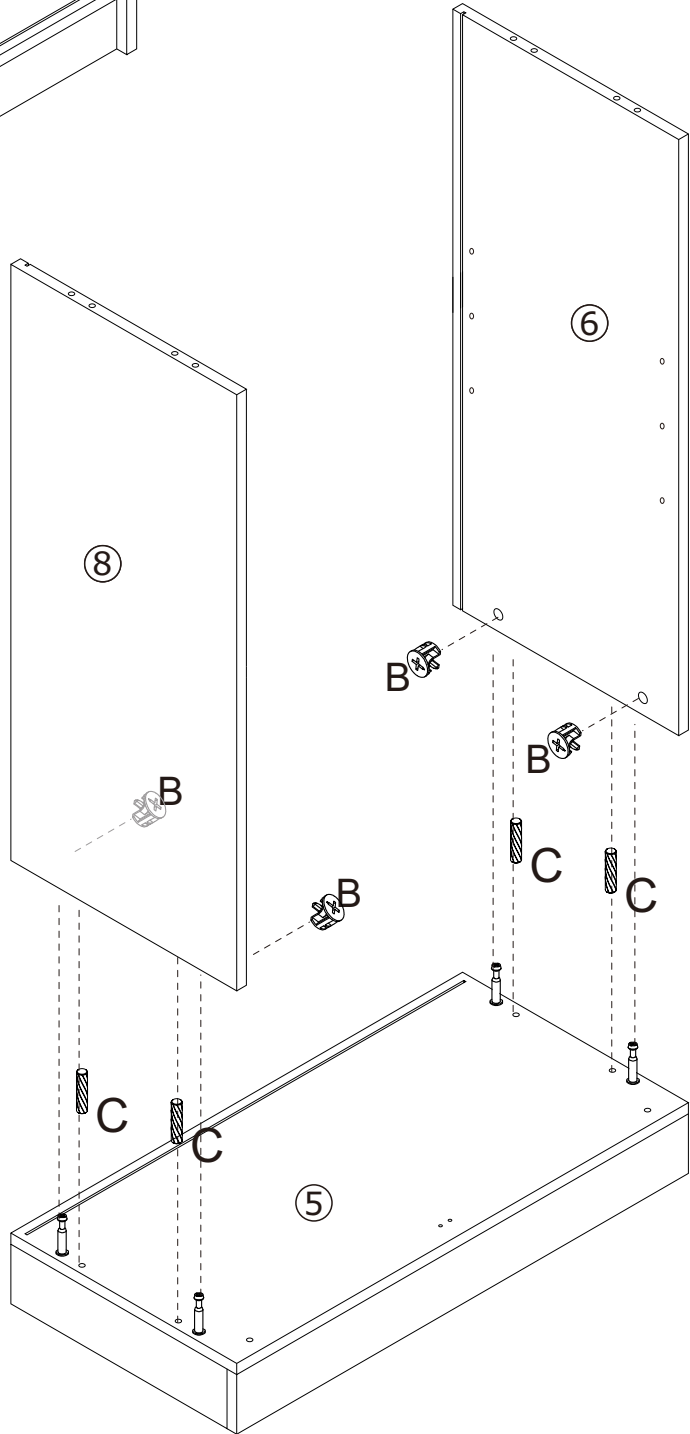
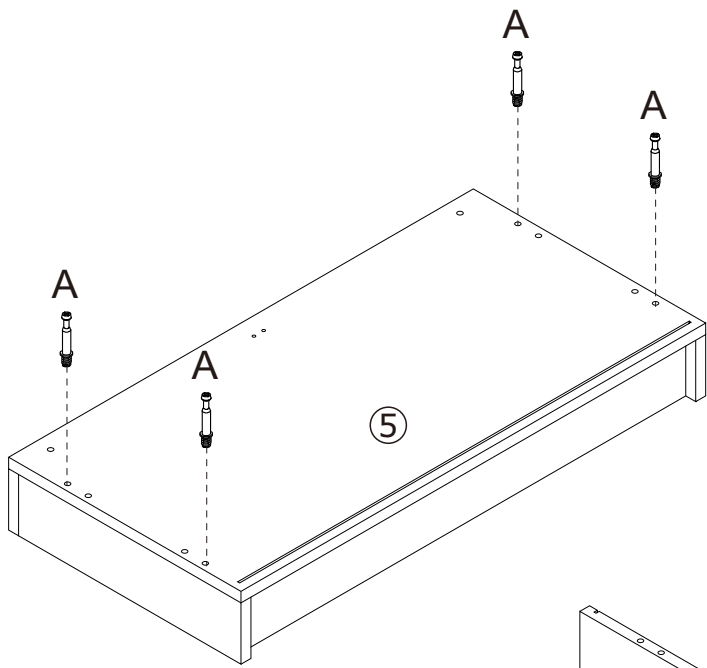
3

- A  x8
- B  x8
- C  x2

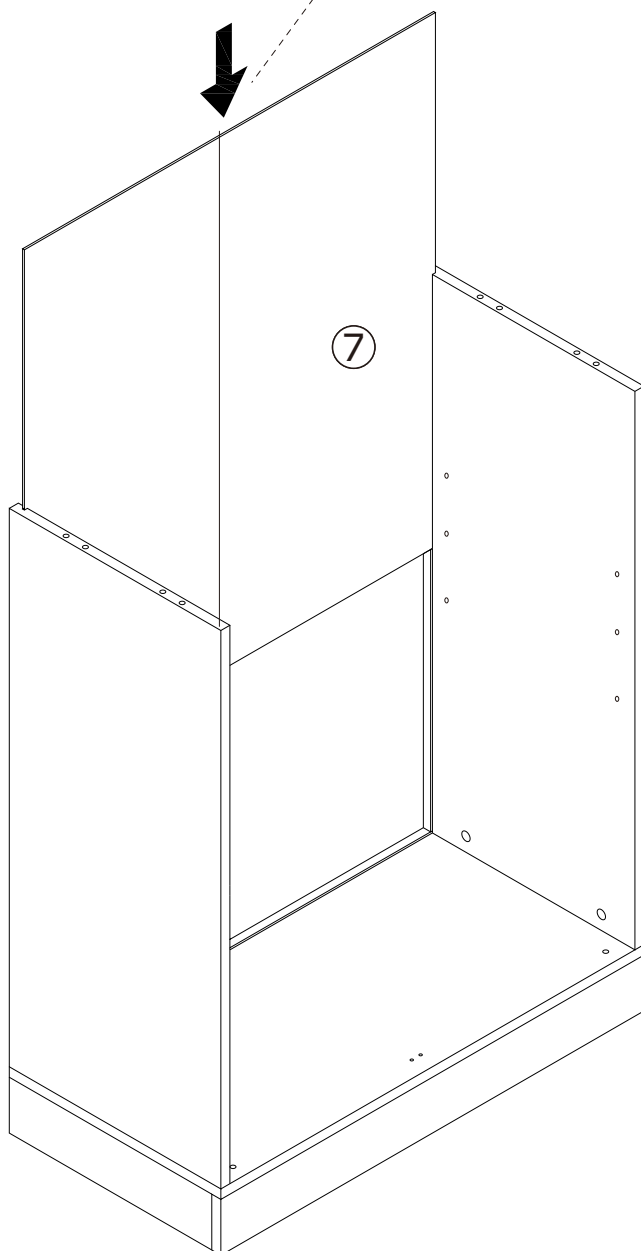
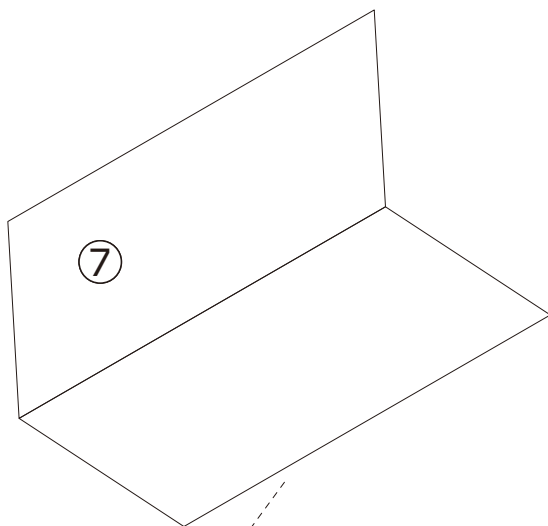


4

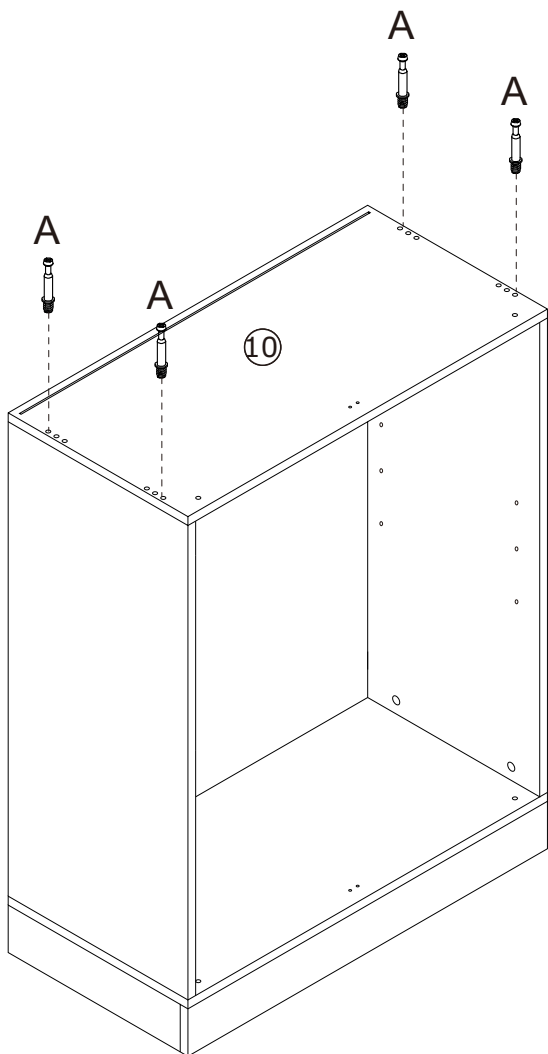
- A  x4
- B  x4
- C  x4






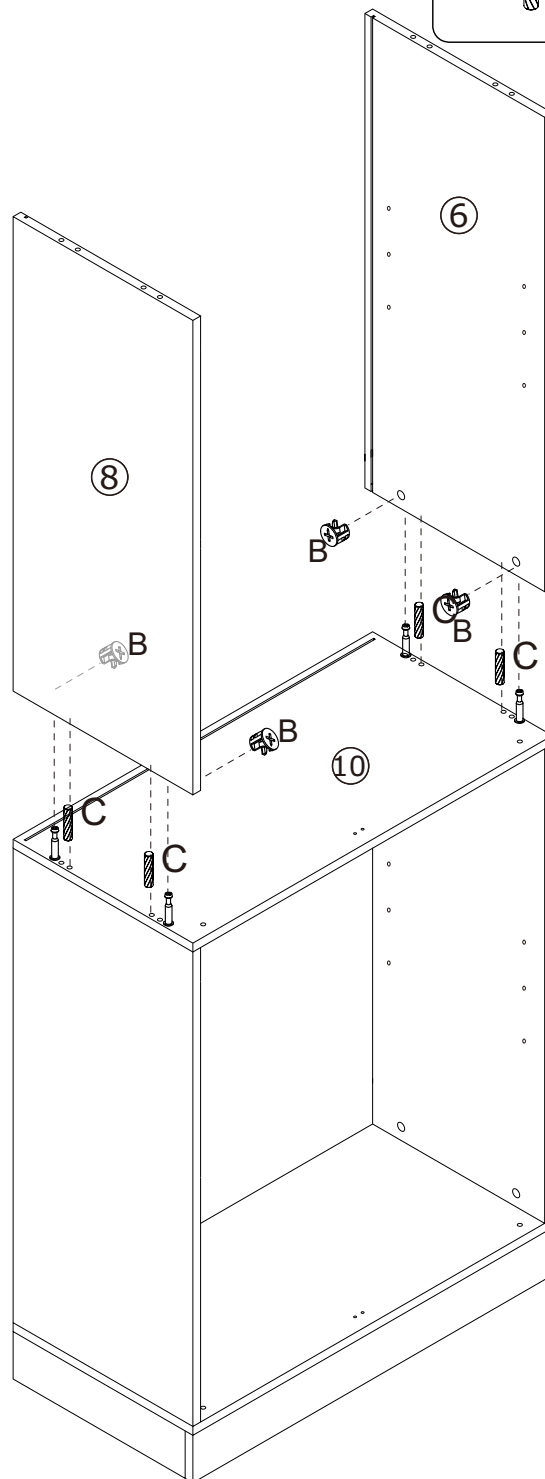
5



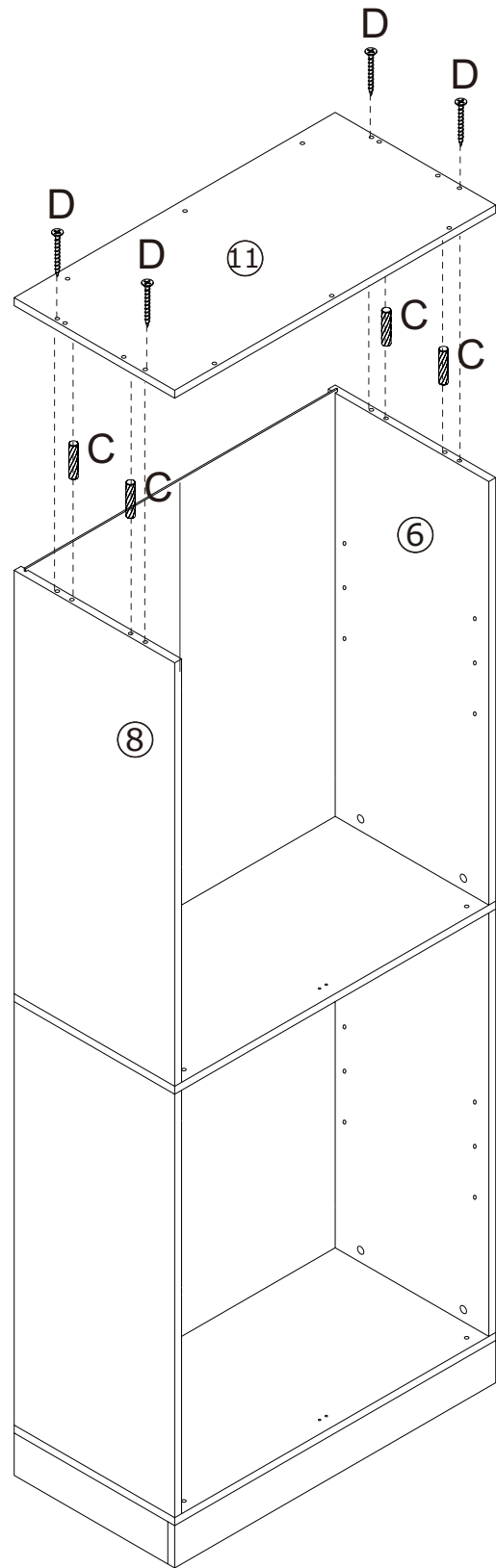
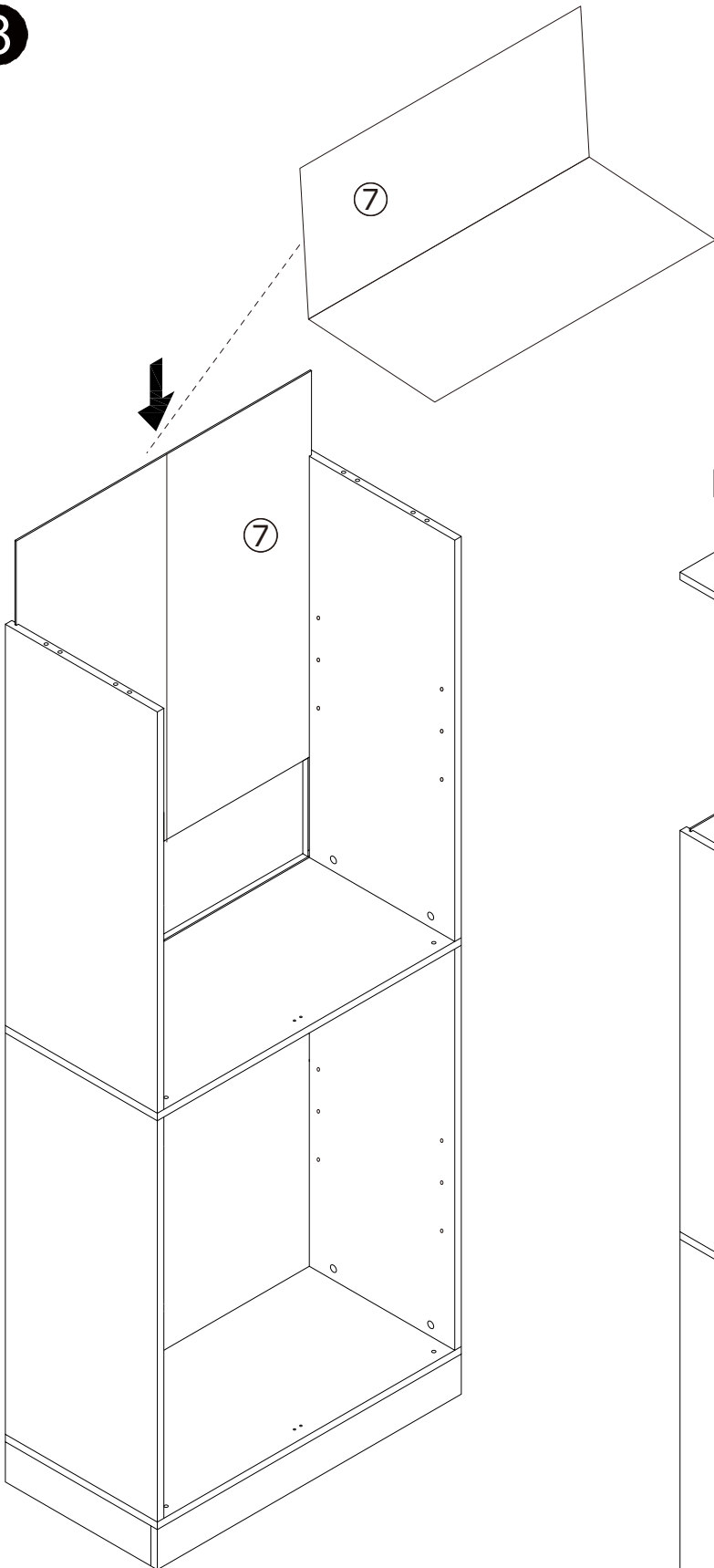
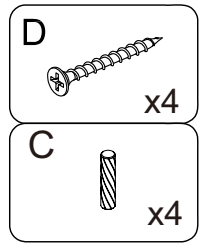
7



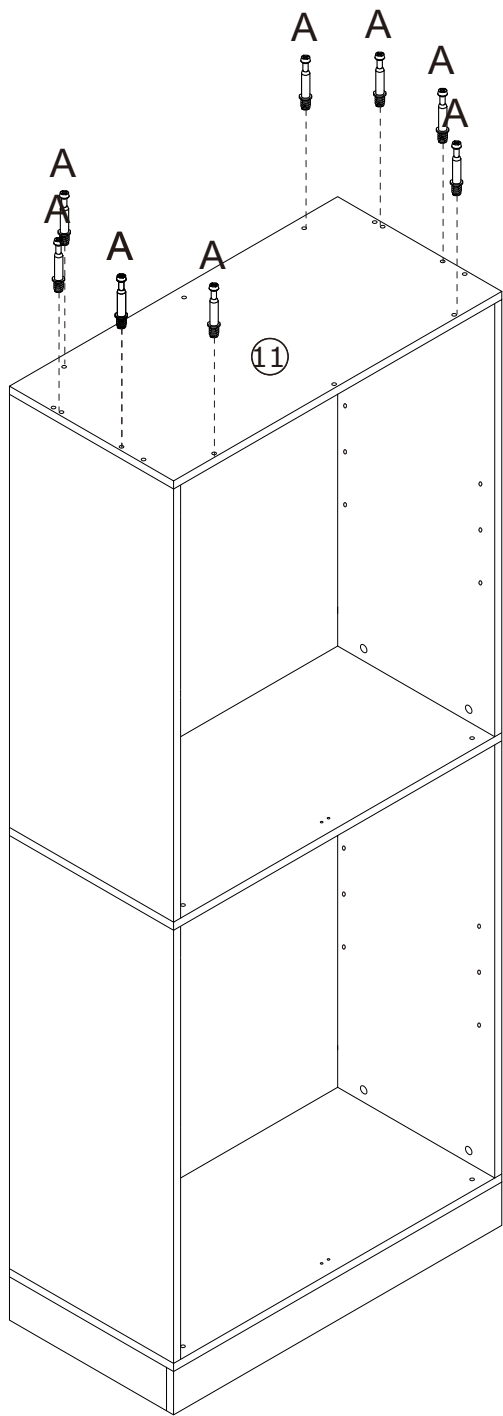
- A  x4
- B  x4
- C  x4






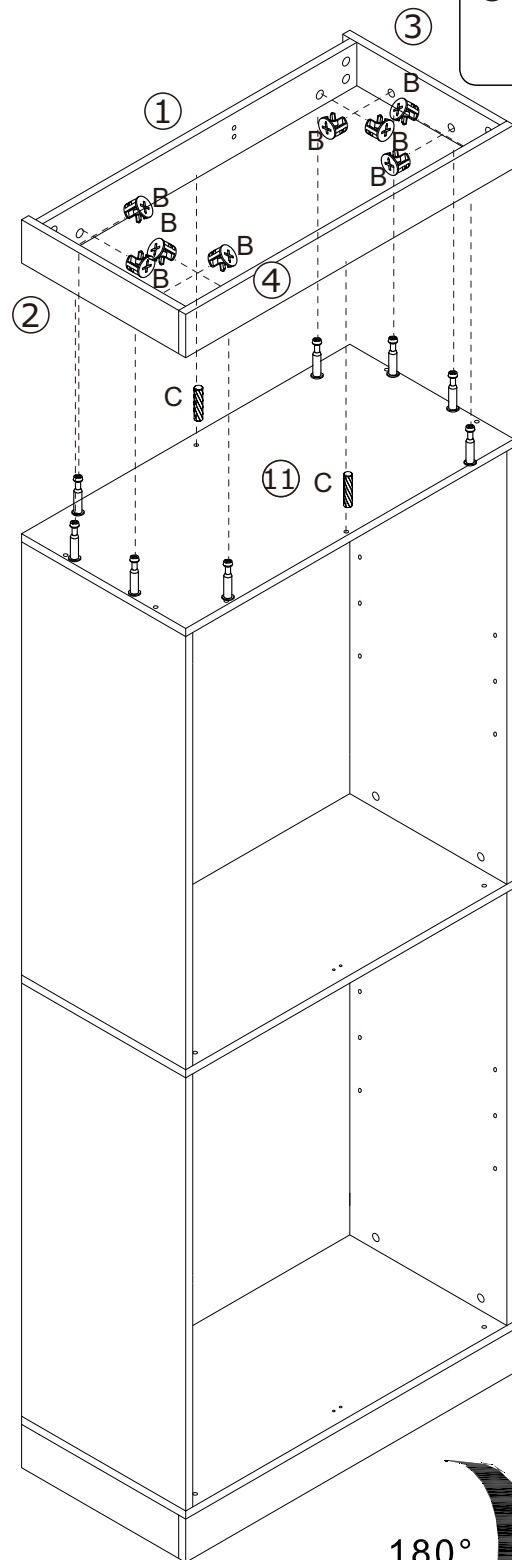
8



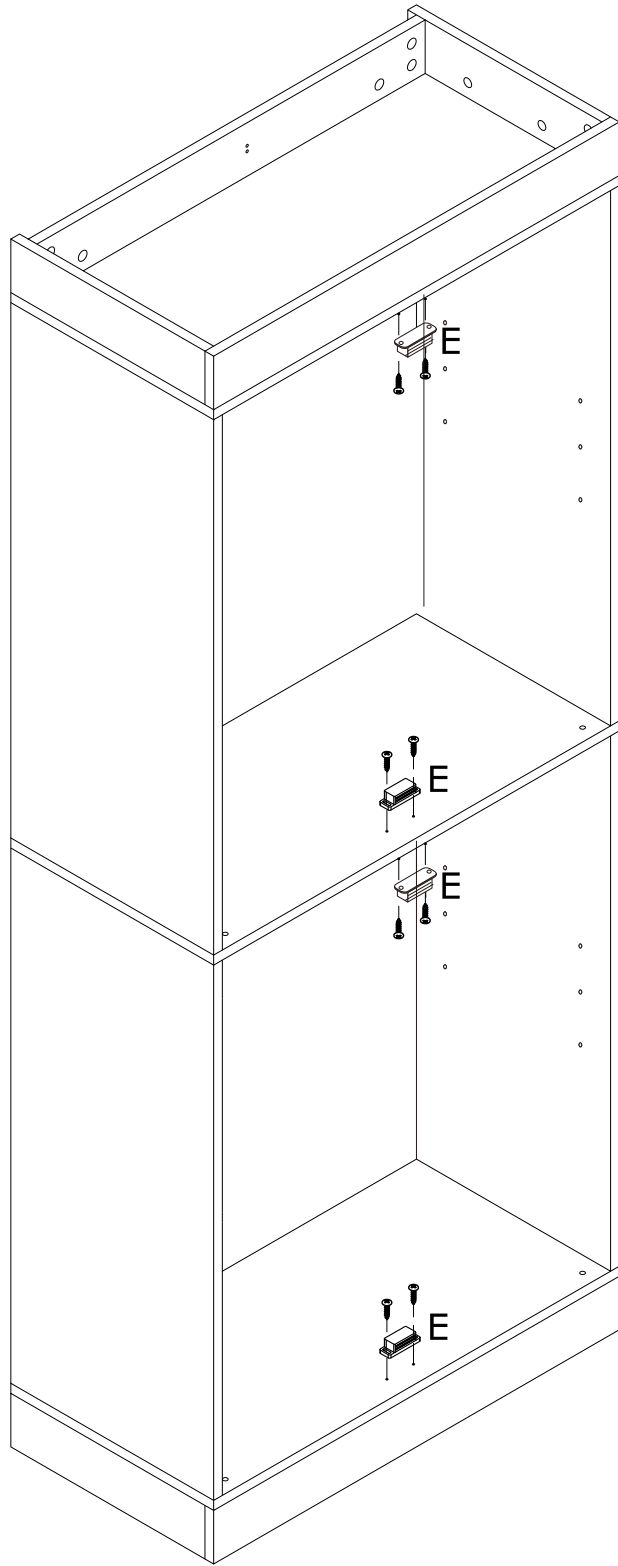
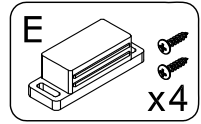
9



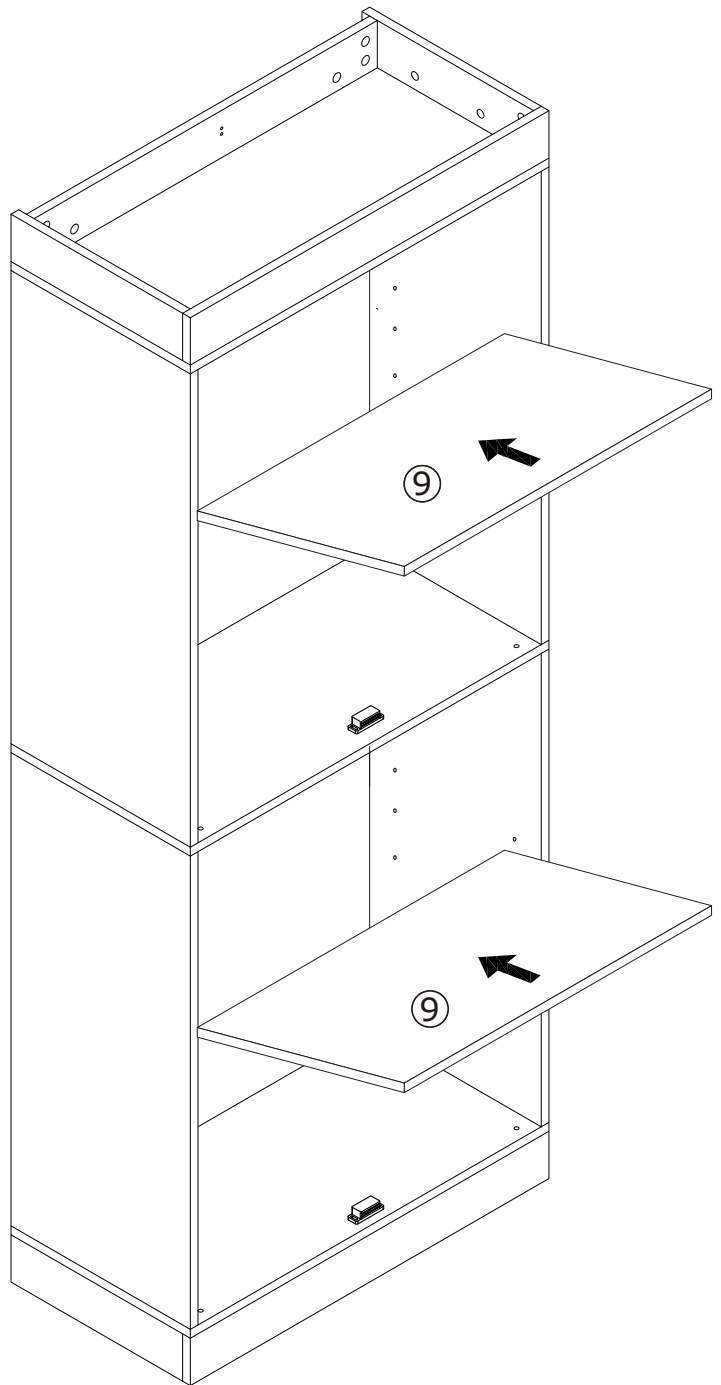
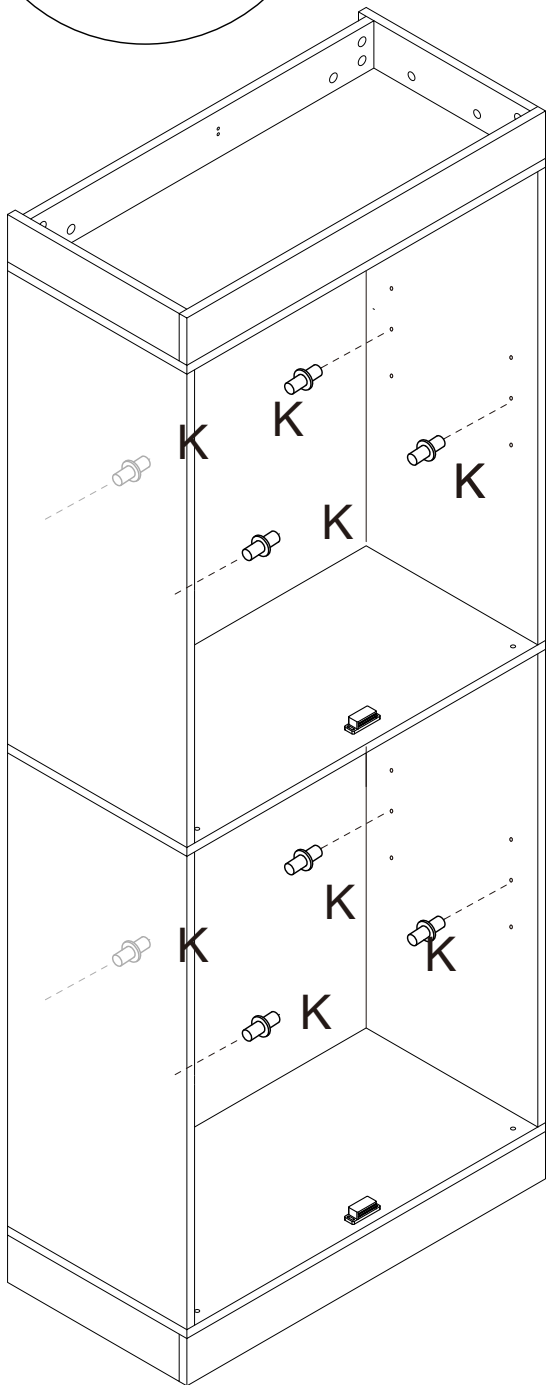
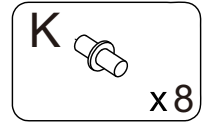
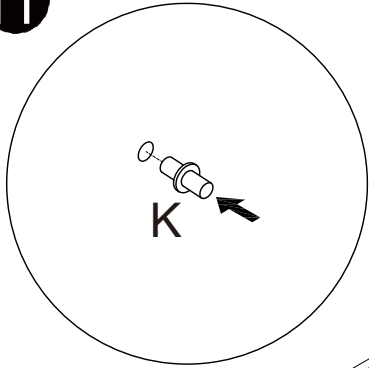
- A  x8
- B  x8
- C  x2



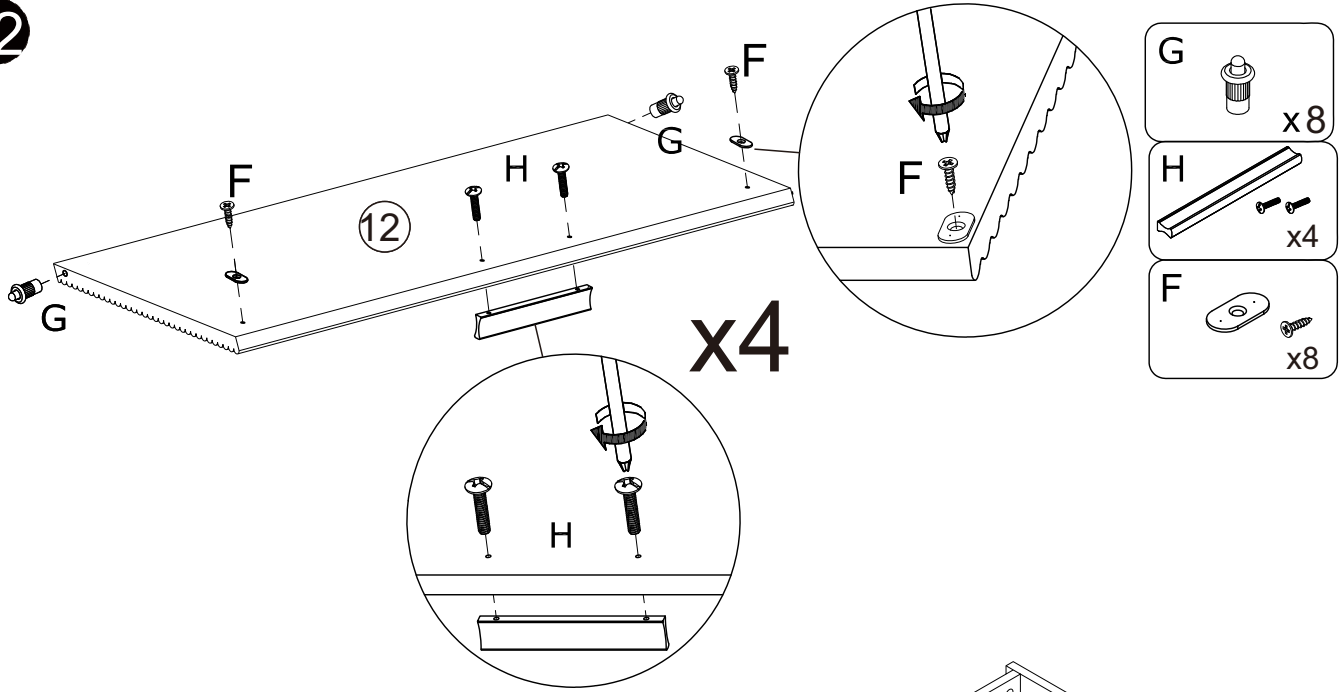
10


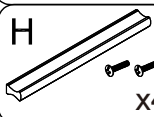



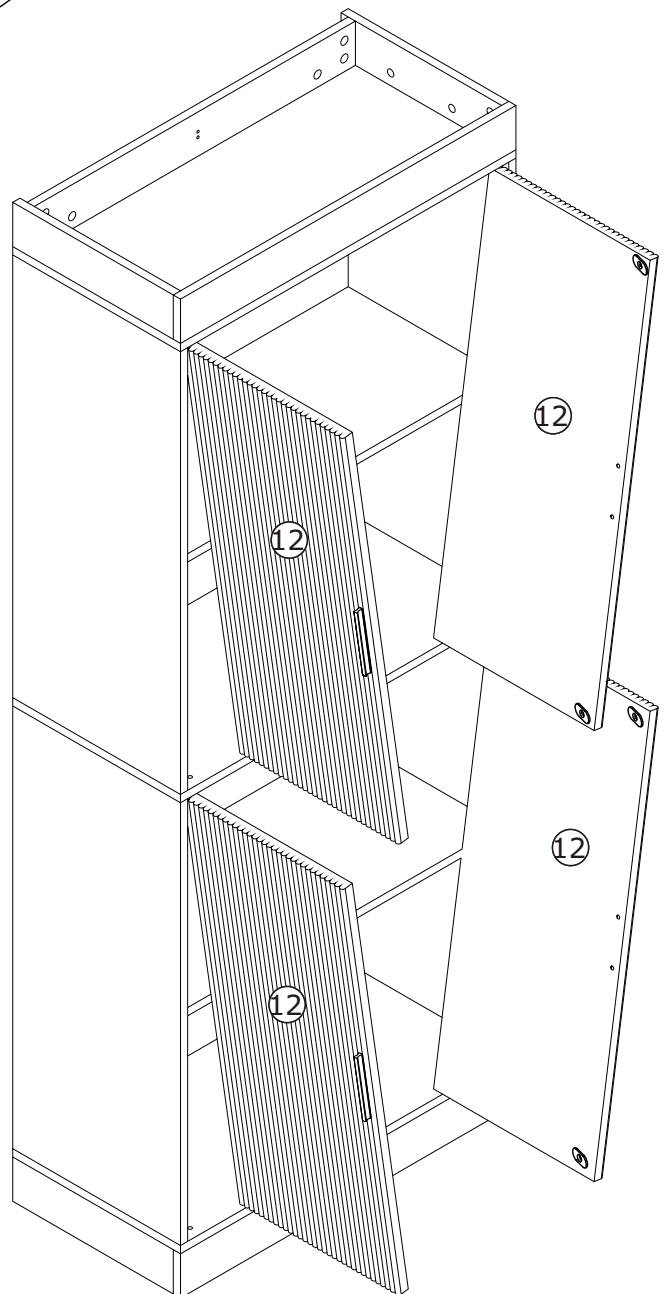
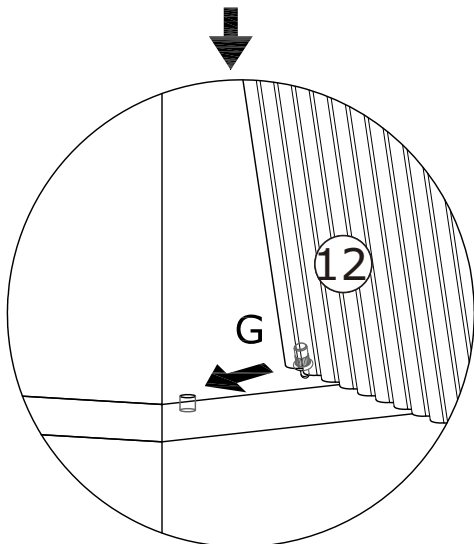
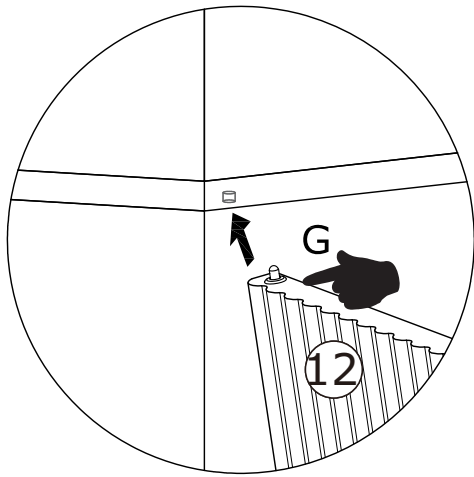
11



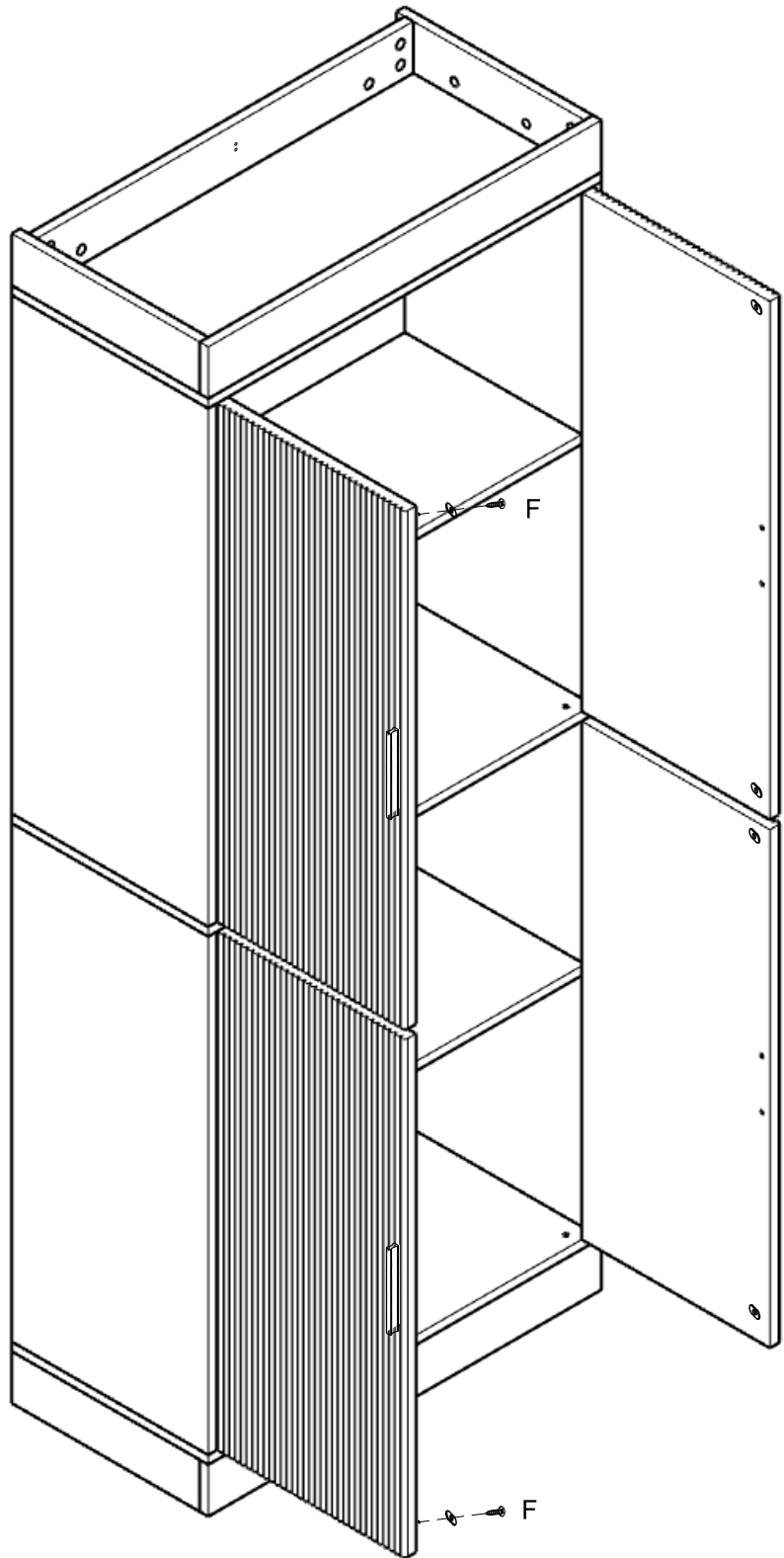
12



- G  x8
- H  x4
- F  x8



13



15

