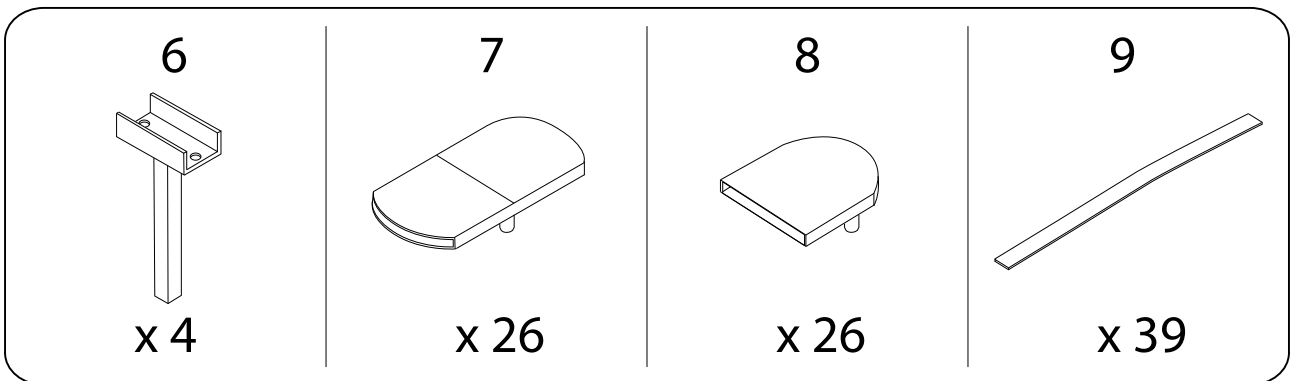
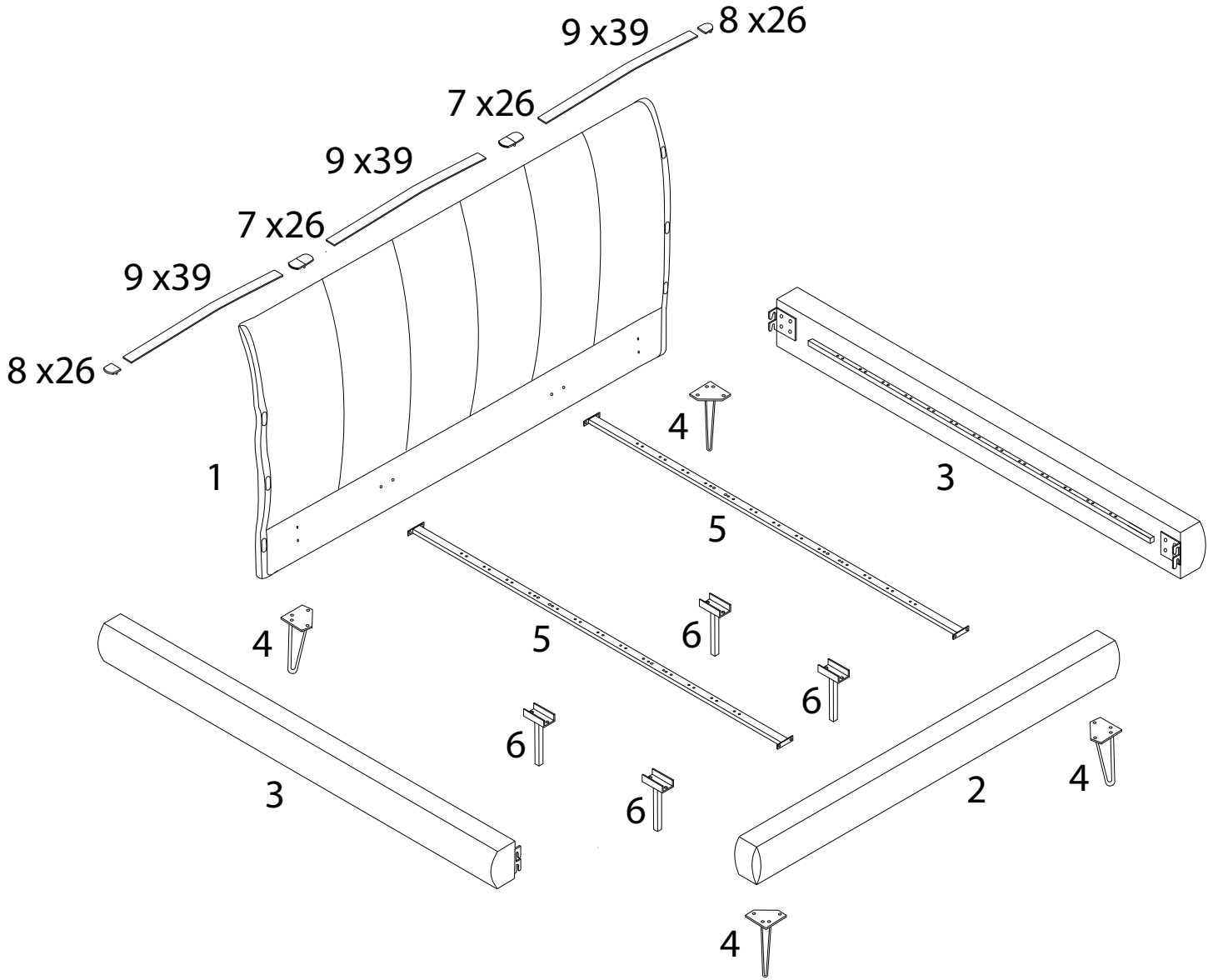
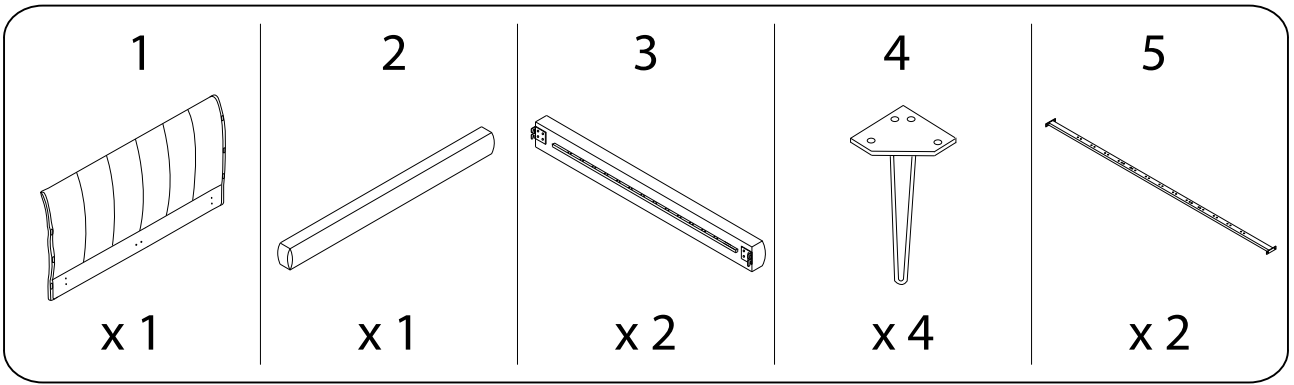


Assembly instructions for the first step:

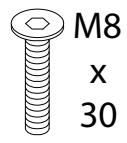
- Tools: An icon in a circle shows an L-shaped Allen key and a wrench. A power drill is shown with a diagonal line through it, indicating it should not be used.
- Warning: A triangle with an exclamation mark inside.
- Time: A clock icon with the number 30' below it, indicating a 30-minute assembly time.

Assembly instructions for the second step:

- Warning: A triangle with an exclamation mark inside.
- Personnel: An icon of a person with the number 2 below it, indicating that two people are required for this step.

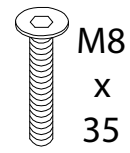


**A**



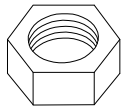
x 32

**B**



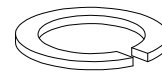
x 8

**C**



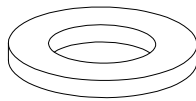
x 8

**D**



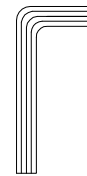
x 8

**E**



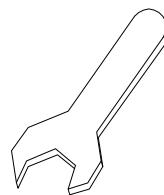
x 32

**F**



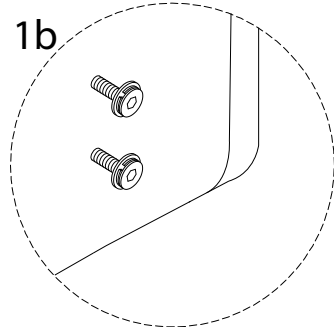
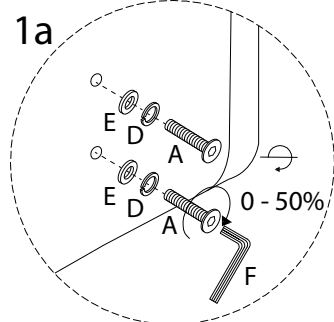
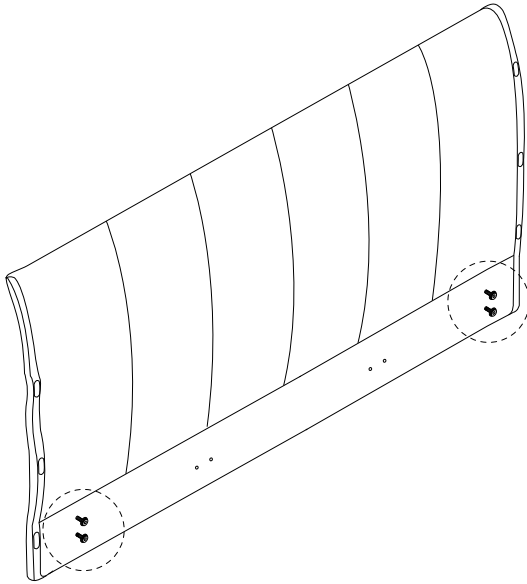
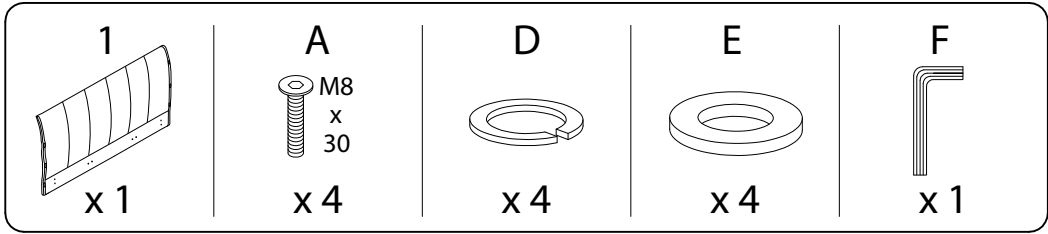
x 1

**G**

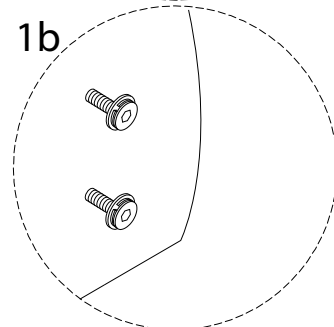
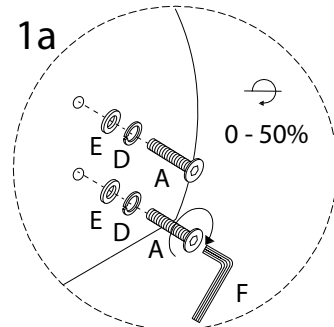
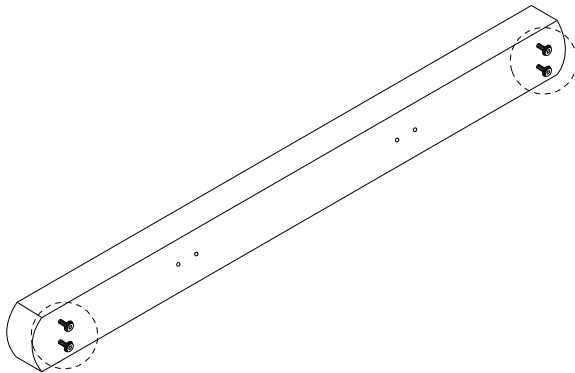
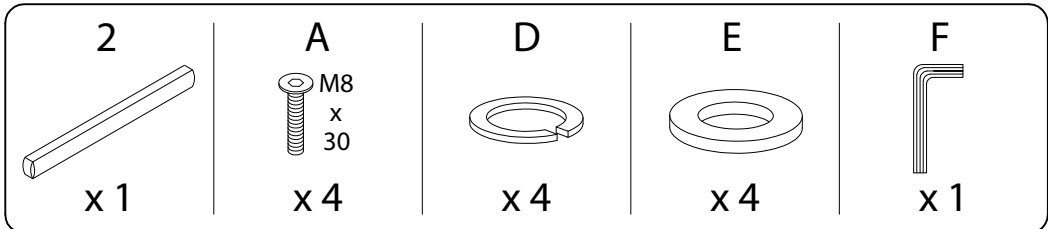


x 1

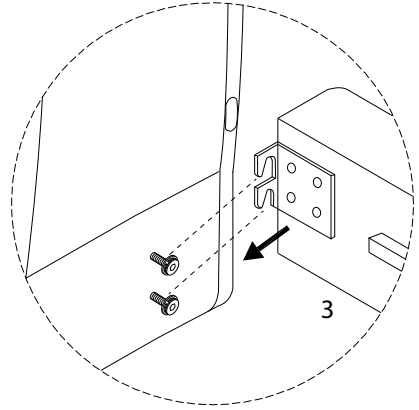
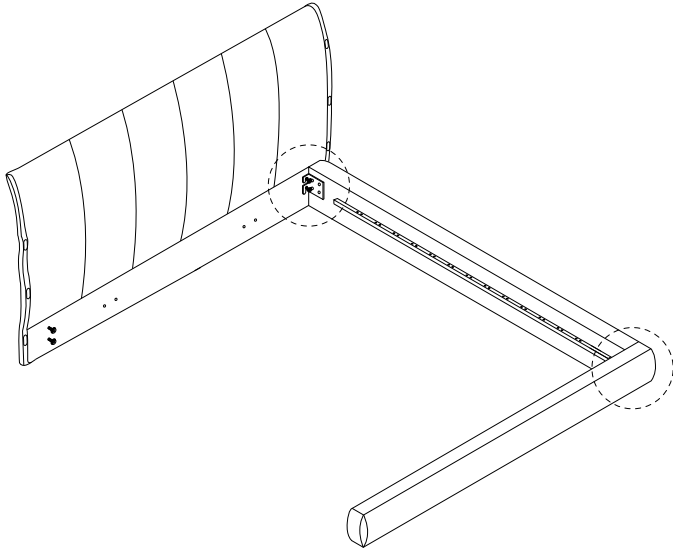
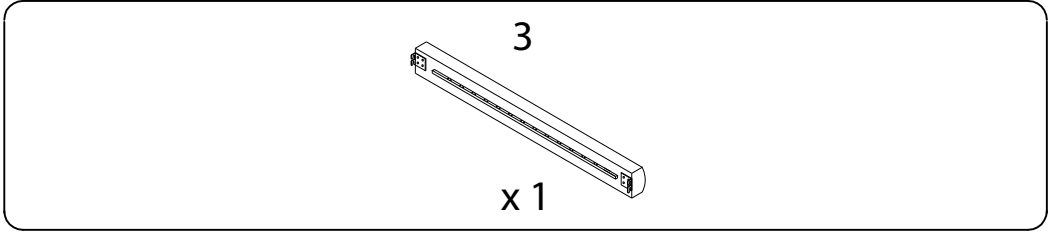
1



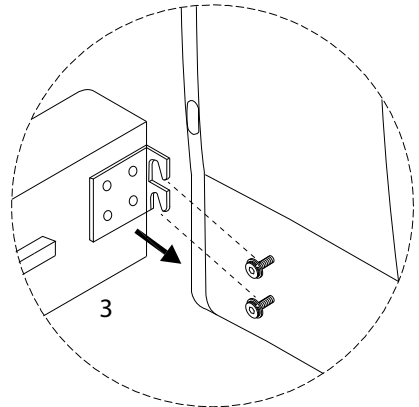
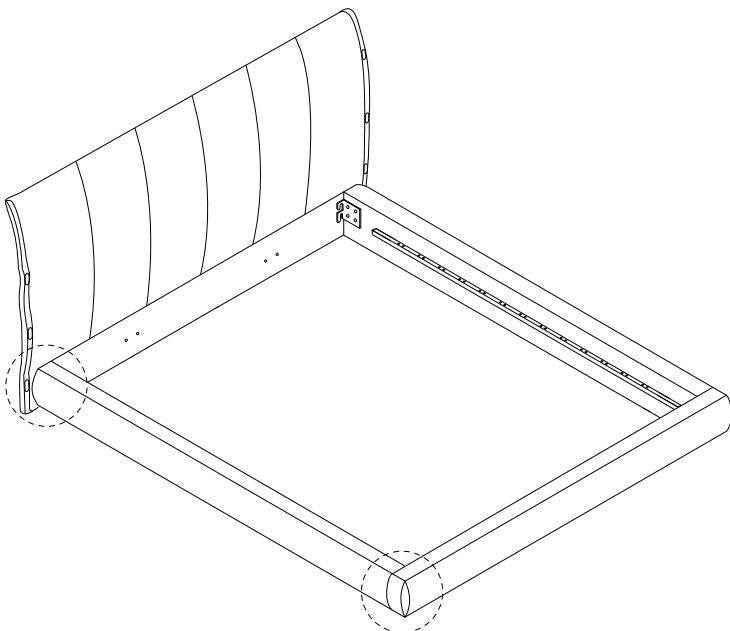
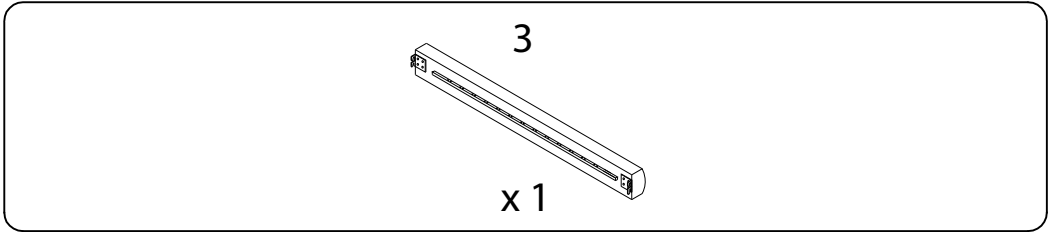
2



3



4



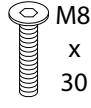
5

4



x 4

A



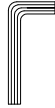
x 16

E

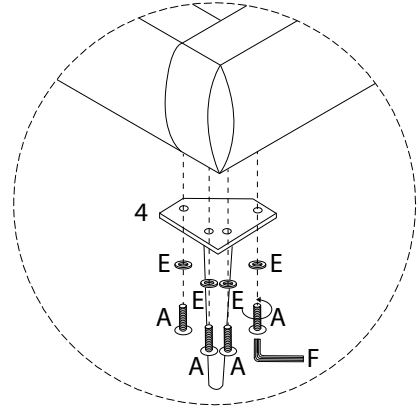
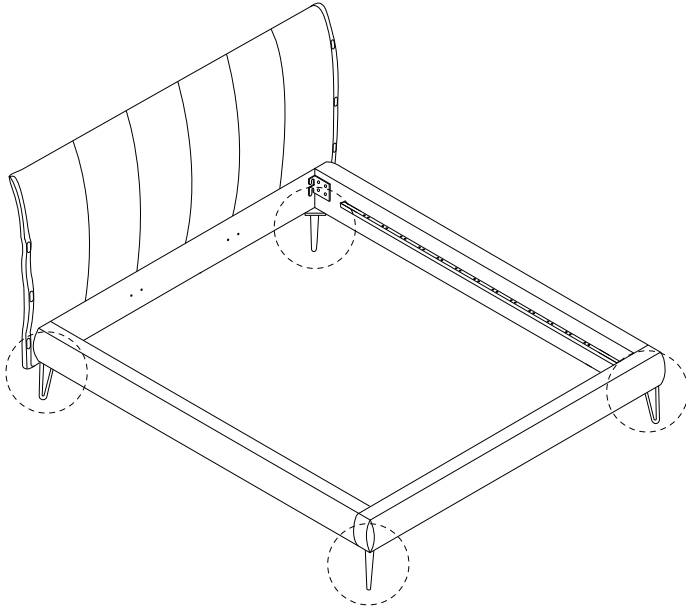


x 16

F



x 1



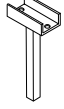
6 x 2

5



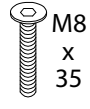
x 1

6



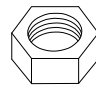
x 2

B



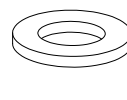
x 4

C



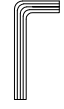
x 4

E



x 4

F

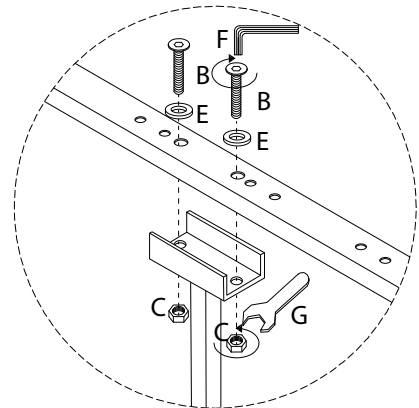
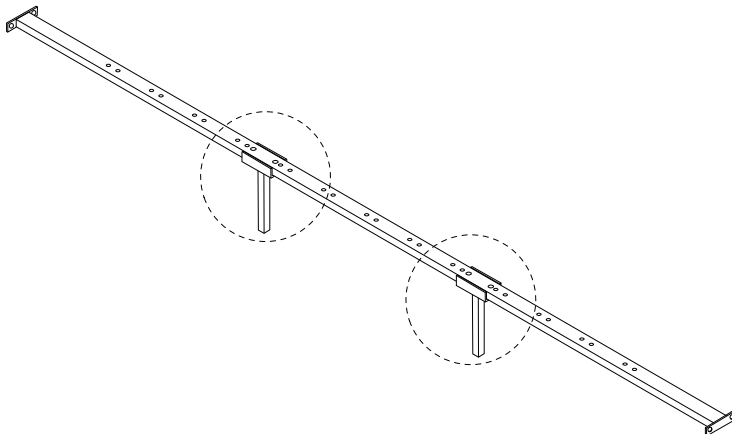


x 1

G



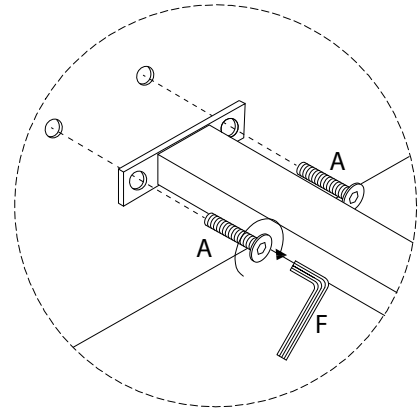
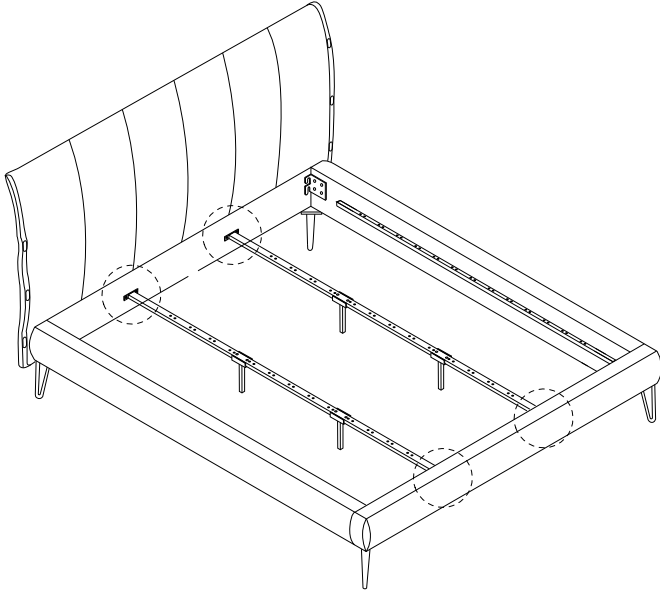
x 1



7

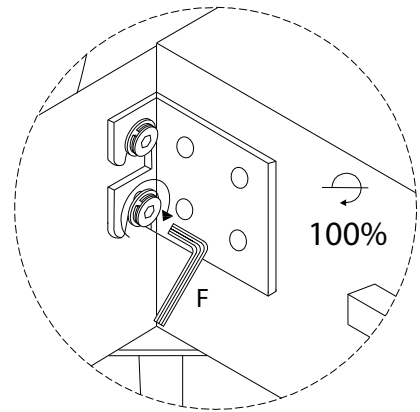
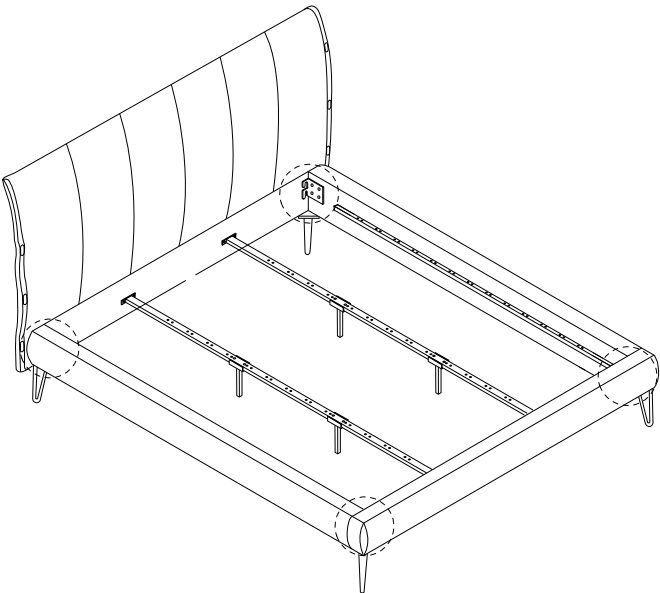
A  
M8  
x  
30  
x 8

F  
x 1

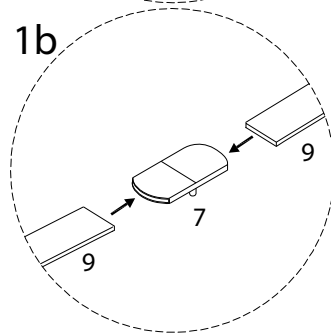
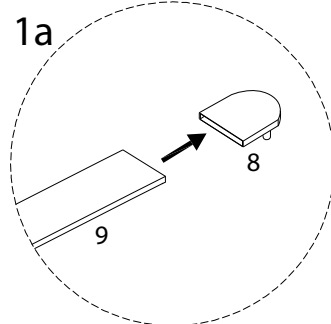
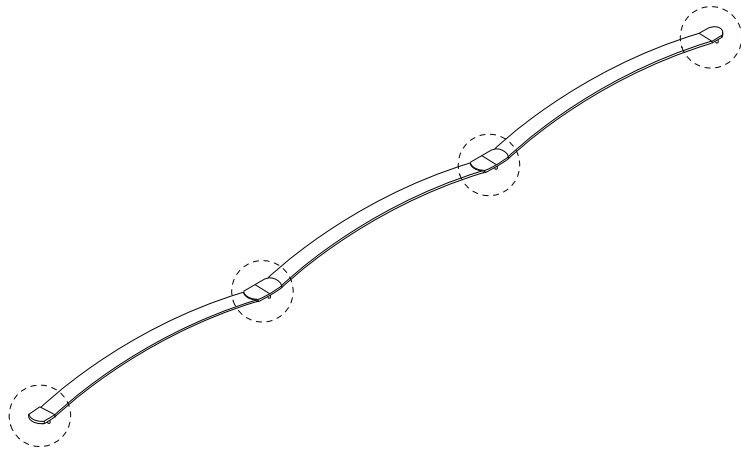
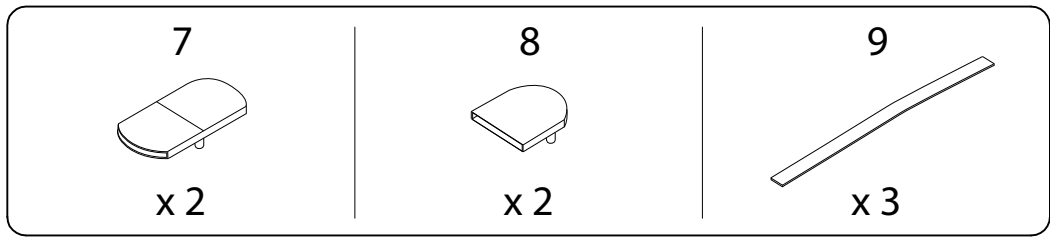


8

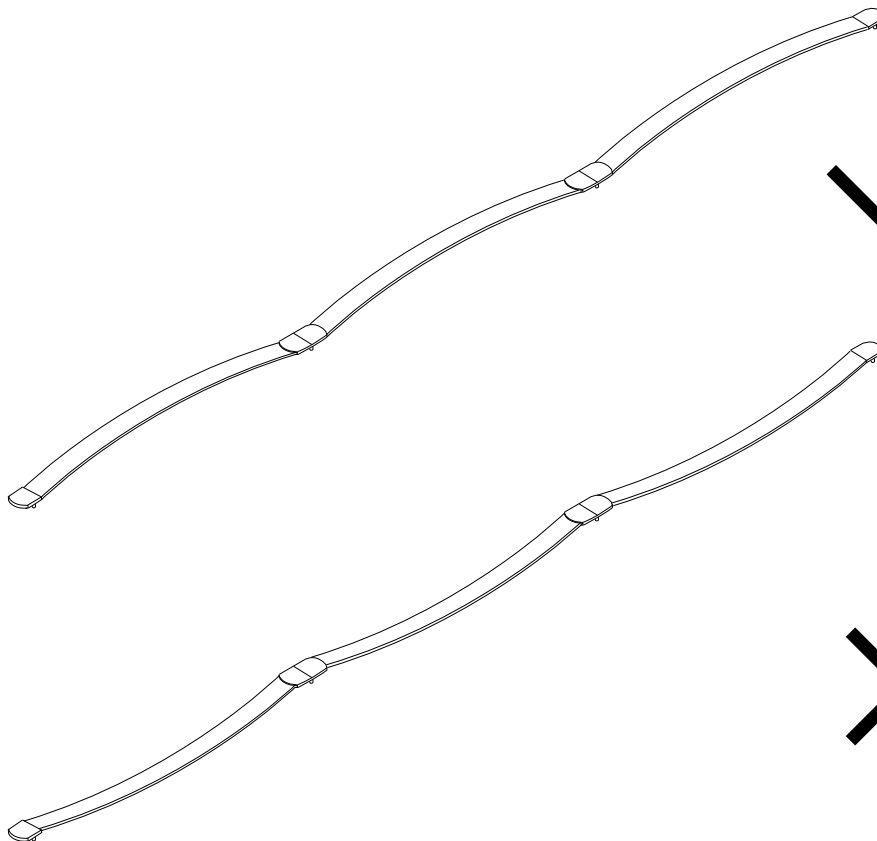
F  
x 1



9 x13



!



10

