

# ASSEMBLY INSTRUCTIONS

## CONSOLE CABINET

ASSEMBLY REQUIREMENTS	1.5 Hours Assembly Time (Approximate)	2 -Person Assembly 	Tools Required (Not Provided): Phillips Screwdriver  ⊕ Flat Head Screwdriver  ⊖
-----------------------	---	---	---

### Thank you for purchasing our product!

Please refer and use this assembly instruction to assemble the product.  
Contact our customer service department in case there are any missing or damaged parts or hardware.  
Replacement parts are normally shipped within 2 or 3 days.

**We appreciate your business!**

**PRODUCTS PURCHASED THROUGH OUR AUTHORIZED VENDORS ONLY ARE ELIGIBLE FOR REPLACEMENT PARTS.**

**THIS PRODUCT IS FOR INDOOR AND HOUSEHOLD USE ONLY - NOT FOR COMMERCIAL USE.**

### ASSEMBLY PREPARATION

1. Remove all packaging materials, staples and packing straps from the carton.
2. Refer to Parts List and Hardware List and ensure they are correct before assembly.  
Contact customer service for missing parts.
3. Place all wooden parts on a clean, flat and soft surface (e.g. carpet or rug) to prevent parts from getting scratched.

### SAFETY PRECAUTION

1. KEEP ALL HARDWARE PARTS OUT OF REACH OF CHILDREN.
2. DISPOSE PLASTIC PACKAGING MATERIAL IMMEDIATELY TO AVOID ANY RISK OF SUFFOCATION TO CHILDREN AND ANIMALS.

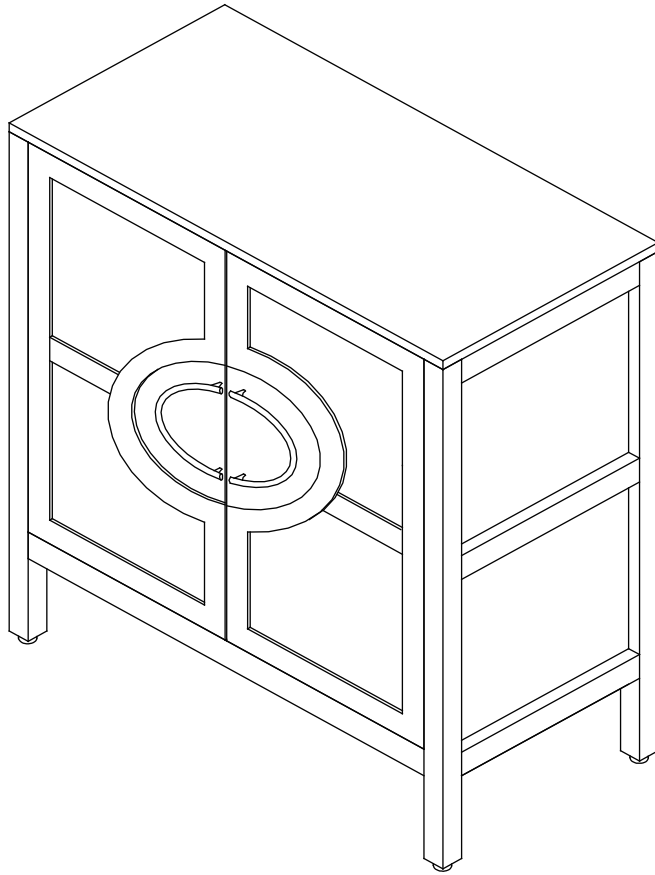
### TIPS FOR ASSEMBLY

1. Allow ample room for assembly and in close proximity to where product will be placed.
2. Assemble the product on a surface that does not scratch or damage the exterior gloss and finish of the furniture.
3. Identify all of the parts, hardware and quantities required for each step.
4. During assembly, do not over-tighten any fittings as this may cause damage.
5. DO NOT USE POWER TOOLS TO ASSEMBLE THIS PRODUCT.
6. Always place the product on a flat, level surface.
7. Do not sit or stand on the partially assembled product; only use the product for which it is intended.

### CARE AND MAINTENANCE

1. Wipe clean with a soft, dry cloth; avoid the use of harsh chemicals or household cleaners as they may damage the exterior finish of the furniture.
2. Hardware may loosen over time. Periodically, check that all connections are tight; re-tighten as necessary.
3. Solid wood is impacted by heat and humidity fluctuations which may cause small joint separations or hairline cracks; place the furniture away from direct sunlight and air conditioning vents, heating vents or units to protect the furniture.

# ASSEMBLY INSTRUCTIONS

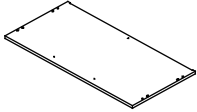
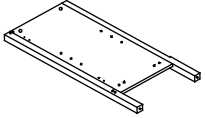
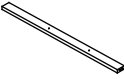
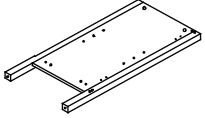
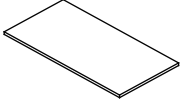
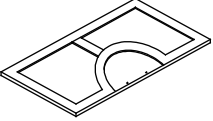
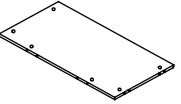
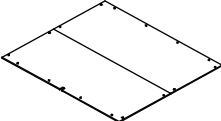



## Hardware List

ITEM	DESCRIPTION	PART	QTY	ITEM	DESCRIPTION	PART	QTY
A	Cam-bolt	 6*35mm	14 pcs	H	Handle Bolt	 4*12mm	4 pcs
B	Cam-lock	 15*10mm	14 pcs	I	Shelf Pin		4 pcs
C	Wood Dowel	 8*30mm	14 pcs	J	Hinge		4 pcs
D	Screw	 2.5*10mm	16 pcs	K	Screw	 3.5*40mm	1 pc
E	Screw	 4*14mm	25 pcs	L	Bracket		1 pc
F	Screw	 4*30mm	2 pcs	M	Plastic Anchor		1 pc
G	Handle		2 pcs	N	Adjustable Leg Stud		4 pcs

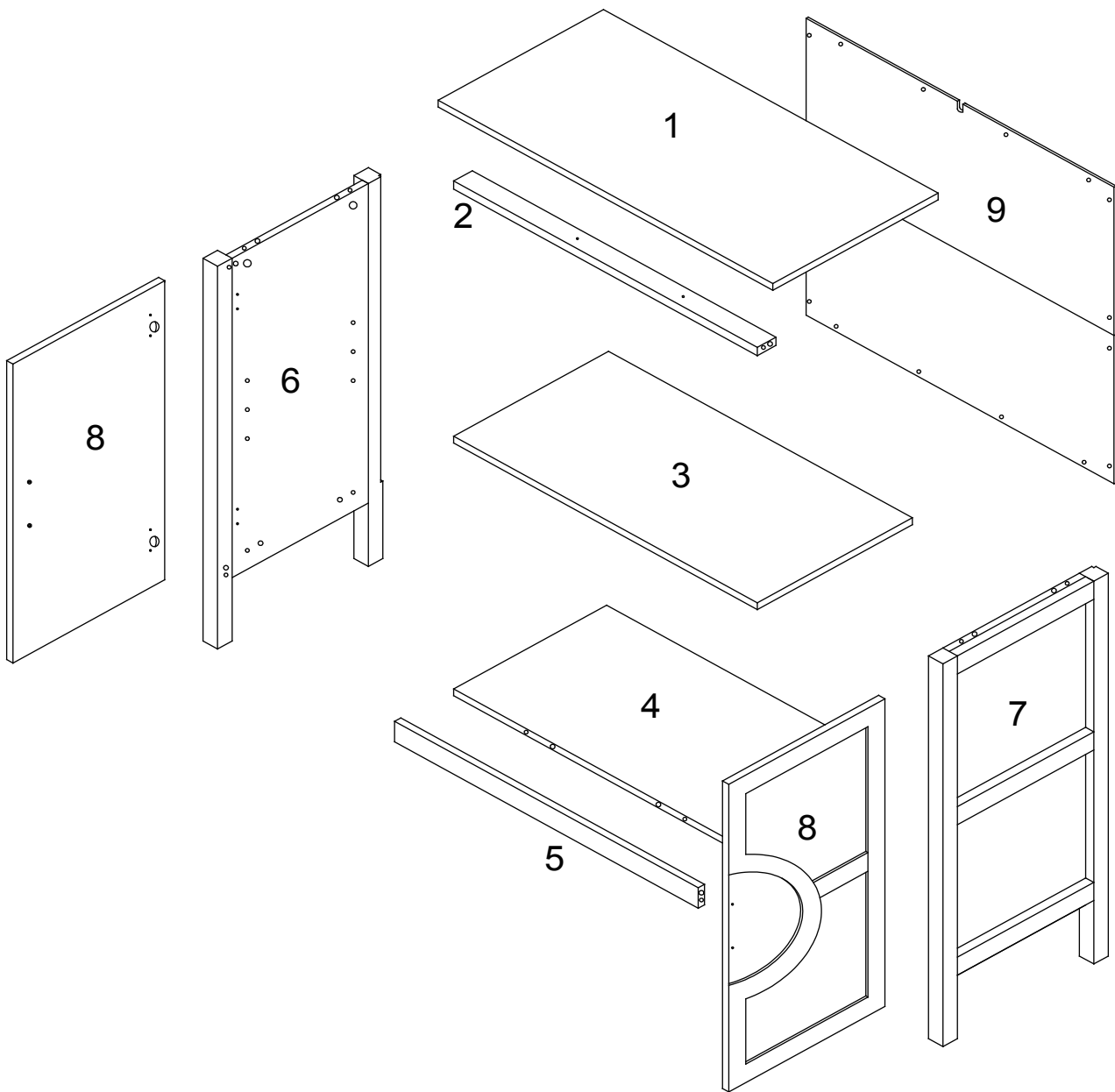
# ASSEMBLY INSTRUCTIONS

## Parts List

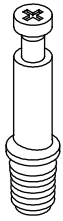
ITEM	DESCRIPTION	PART	QTY	ITEM	DESCRIPTION	PART	QTY
1	Top Panel		1 pc	6	Left Panel		1 pc
2	Top Connect Bar		1 pc	7	Right Panel		1 pc
3	Adjustable Shelf		1 pc	8	Door		2 pcs
4	Bottom Panel		1 pc	9	Back Panel		1 pc
5	Bottom Connect Bar		1 pc				

# ASSEMBLY INSTRUCTIONS

## ASSEMBLY OVERVIEW



# INSTRUCTIONS FOR CAM-BOLT AND CAM-LOCK

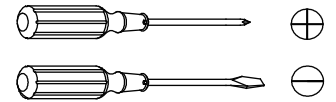


CAM-BOLT

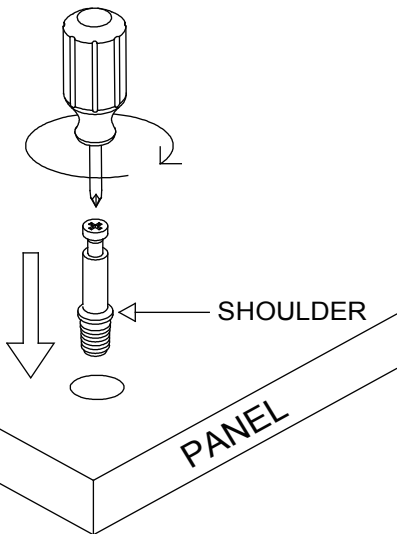


CAM-LOCK

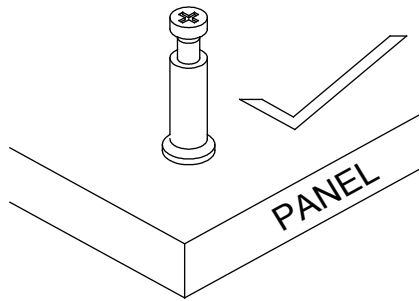
## Tools Required



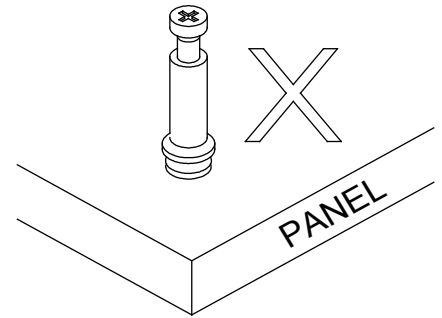
### INSERTING AND TIGHTENING CAM-BOLT



Place Cam-bolt on pre-drilled hole and screw in vertically.



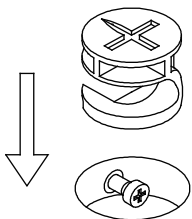
Shoulder is flushed (on the same level) with the panel.



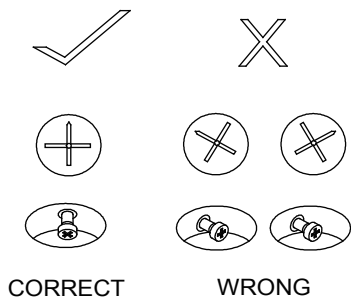
Shoulder is above the panel.

Place Cam-bolt to the designated pre-drilled holes on the panel. Use a Phillips Screwdriver to tighten Cam-bolt vertically until shoulder is flushed (on the same level) with panel. Do not over-tighten or under-tighten.

### INSERTING CAM-LOCK

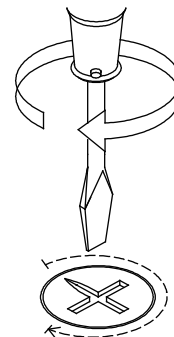


Insert Cam-lock with arrow align to Cam-bolt head.





Align the arrow on the Cam-lock to the Cam-bolt head and insert the Cam-lock. Ensure Cam-lock is fully inserted.

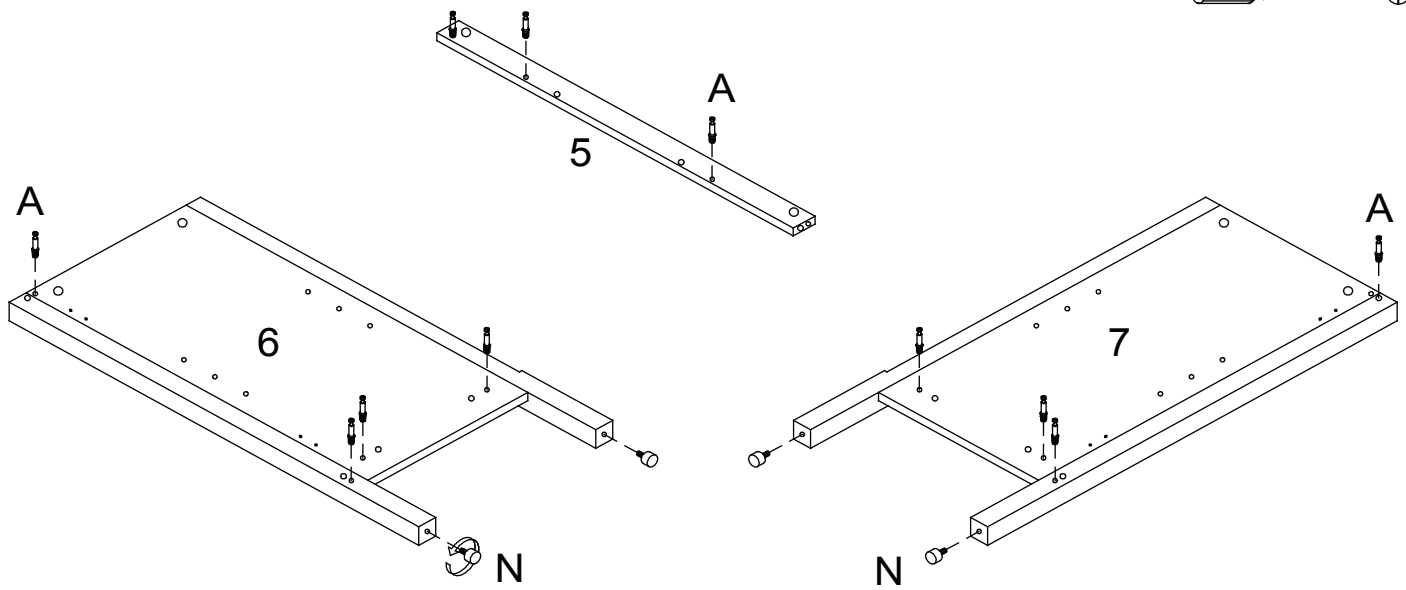
### TIGHTENING CAM-LOCK



Use a Flat-head Screwdriver to turn Cam-lock clockwise so it locks onto the head of the Cam-bolt. Turn until it is snug (about 3/4ths of a turn) -- over-tightening could damage Cam-lock or/and Cam-bolt.



# STEP 1

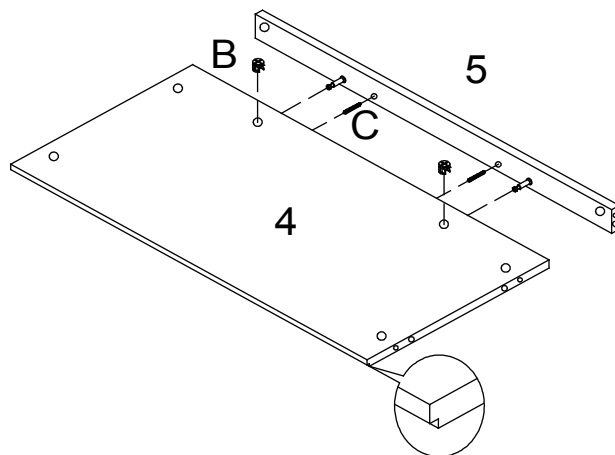
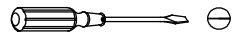
A		10 pcs
N		4 pcs



- Lay Top Connect Bar (5), Left Panel (6) and Right Panel (7) as shown on a material that does not scratch or damage the panels.
- Screw in Cam-bolt (A) into the designated holes on (5, 6 & 7). Refer to Page 5 for instructions on inserting and tightening Cam-bolt.
- Screw in Adjustable Leg Stud (N) into the designated hole on each leg of the panels.

# STEP 2

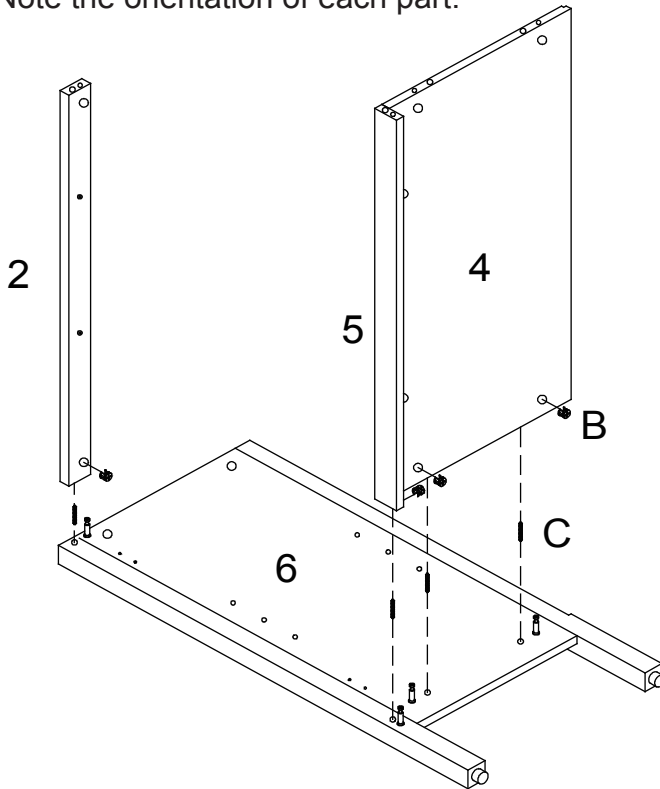
B		2 pcs
C		2 pcs





- Orientate and lay Bottom Panel (4) as shown.
- On Bottom Connect Bar (5), insert Wood Dowel (C) into the inner two holes between the cam-bolts.
- Attach Bottom (5) to the long edge of (4) as shown via wood dowel and cam-bolt on (5).
- Insert Cam-lock (B) into the holes on (4) then turn clockwise to lock onto Cam-bolt. Refer to Page 5 for instructions on inserting and tightening Cam-lock.

## STEP 3

Note the orientation of each part.

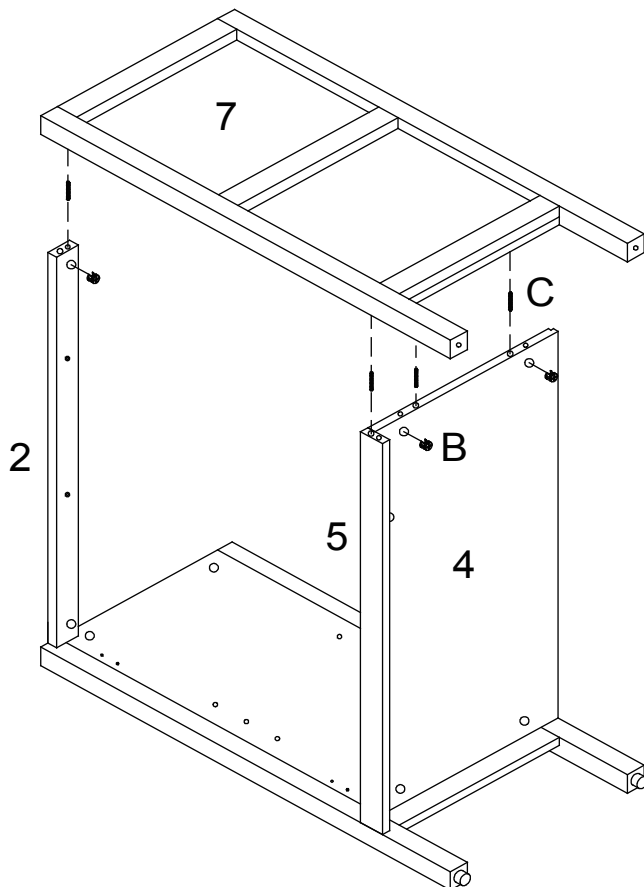



B		4 pcs
C		4 pcs

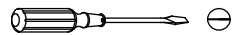


- Insert Wood Dowel (C) into the hole at each end of Top Connect Bar (2), Bottom Connect Bar (5) and Bottom Panel (4).
- Attach (2,4 & 5) to Left Panel (6), from STEP 1, via wood dowel and cam-bolt on (6).
- Insert Cam-lock (B) into the designated holes on (2, 4 & 5) as shown, and then turn clockwise to lock onto Cam-bolt.

## STEP 4

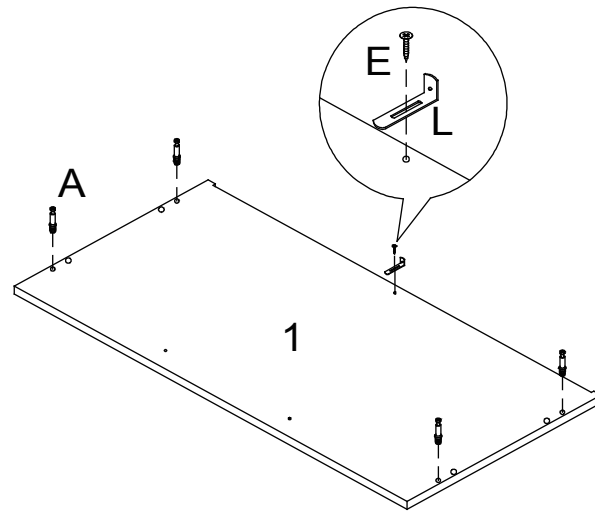


B		4 pcs
C		4 pcs



- Insert Wood Dowel (C) into the hole at the top edge of Top Connect Bar (2), Bottom Connect Bar (5) and Bottom Panel (4) as shown.
- With assistance, attach Right Panel (7) to (2,4 & 5) via wood dowel and cam-bolt on (7).
- Insert Cam-lock (B) into the holes on (2, 4 & 5) then turn clockwise to lock onto Cam-bolt.

## STEP 5

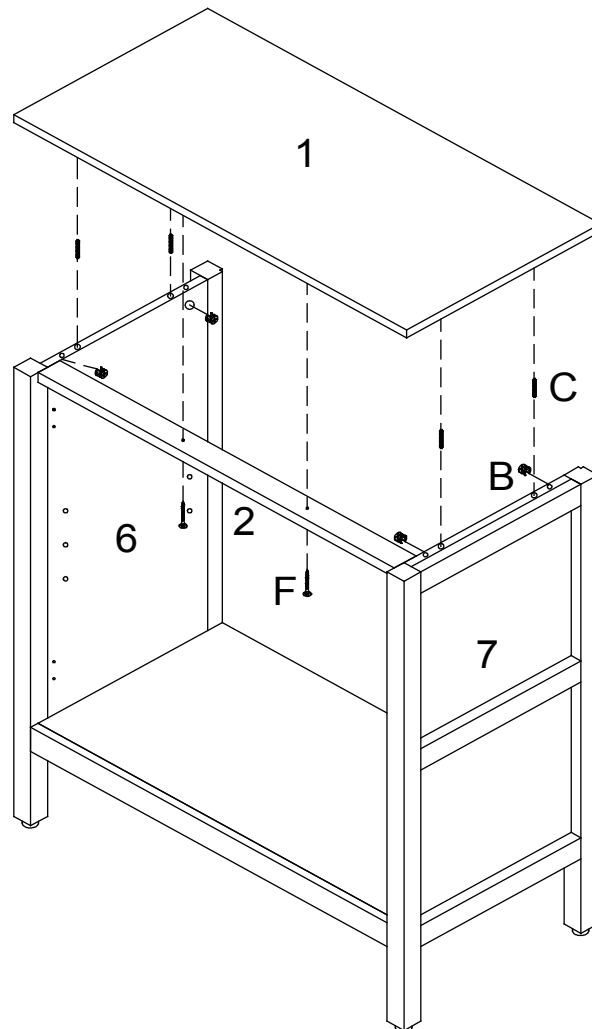


A		4 pcs
E	4x14mm	1 pc
L		1 pc



- Lay Top Panel (1) as shown on a material that does not scratch or damage the part.
- Screw in Cam-bolt (A) into the designated holes on (1).
- Attach Bracket (L) to (1) by using Screw (E) as shown. Do not tighten (E) completely to allow (L) to slide.

## STEP 6

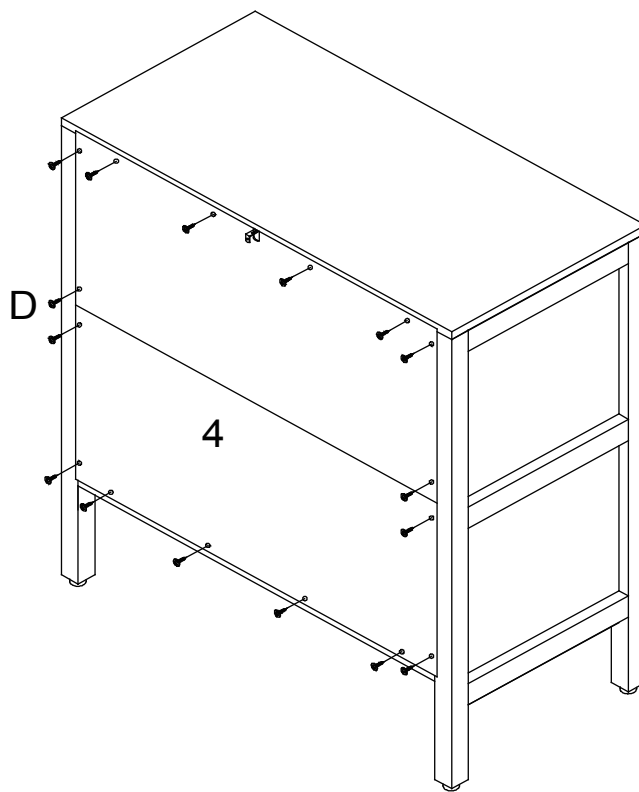


B		4 pcs
C		4 pcs
F		2 pcs

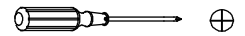


- With assistance, set the assembly from STEP 4 right-side up as shown.
- Insert Wood Dowel (C) into the designated inner two holes on the top edge of Left and Right Panel (6 & 7).  
Bottom Connect Bar (5) and Bottom Panel (4) as shown.
- Attach Top Panel (1) to (6 & 7) via cam-bolts and wood dowel on the respective parts.
- Insert Cam-lock (B) into the designated holes on (6 & 7) then turn clockwise to lock onto the cam-bolts on (1).
- Fasten (1) to Top Connect Bar (2) with Screw (F).

## STEP 7

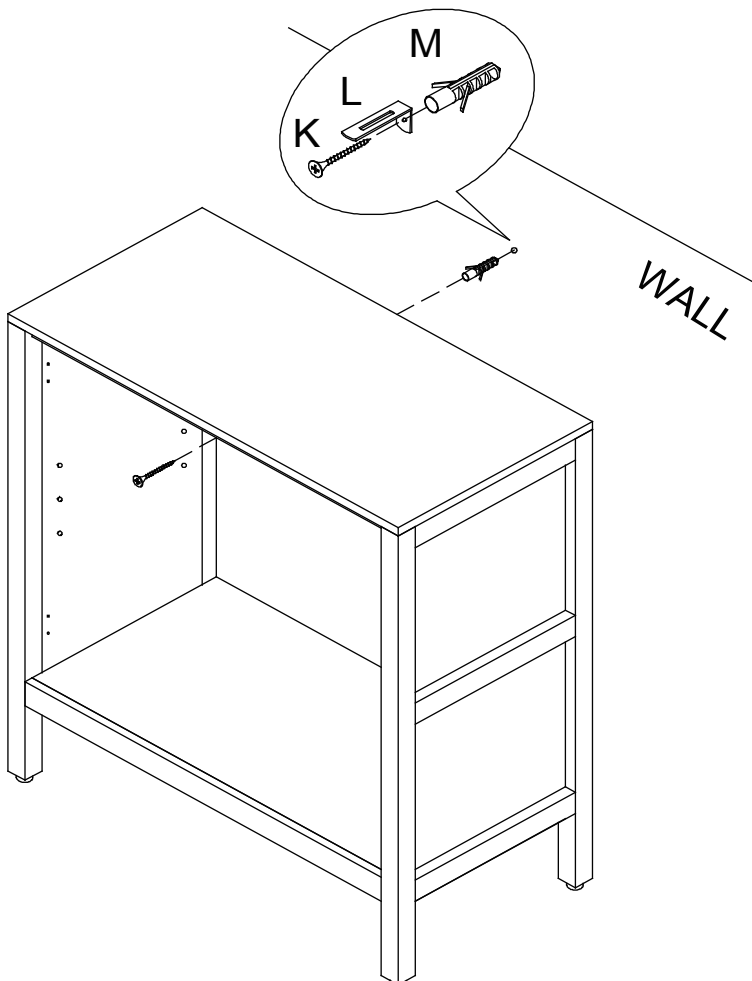




D	 2.5x10mm	16 pcs
---	--	--------

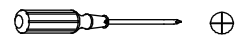


With assistance, fit Back Panel (4) squarely and fasten with Screw (D).

## STEP 8




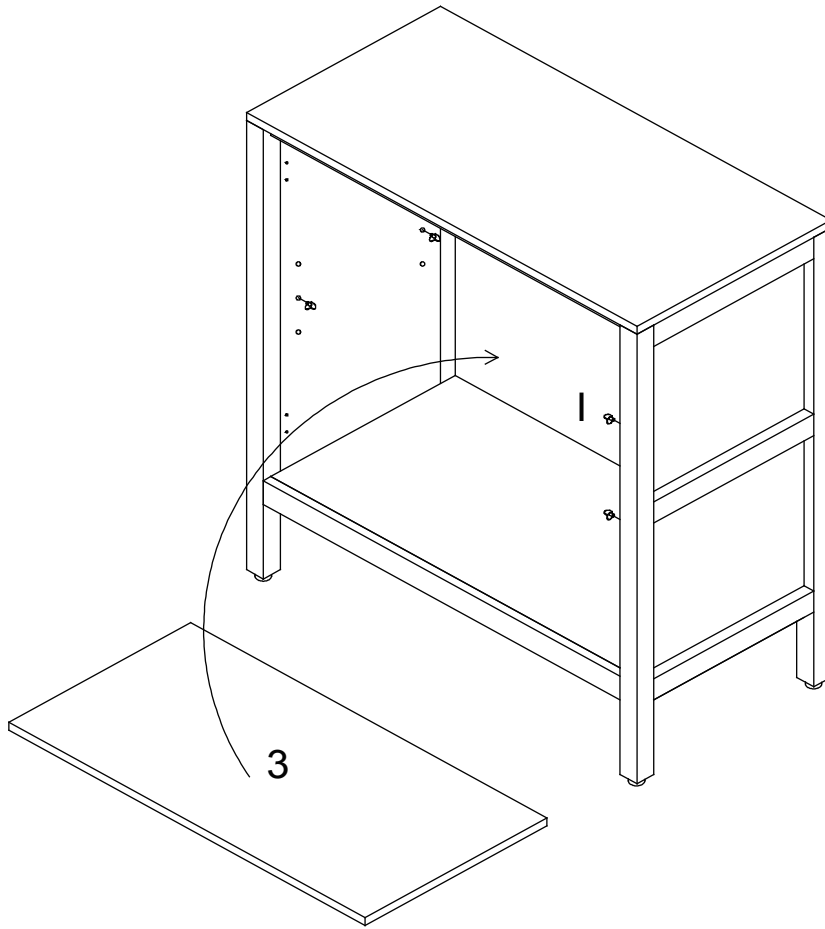
K		1 pc
M		1 pc



- Drill a hole in the dry wall per the diameter of Plastic Anchor (M) and the height of the hole has to be the same as the screw hole on Bracket (L).
- Fit (M) into the drilled hole. Ensure that the it fits securely in the wall.
- Drive Screw (K) through the screw hole on adjustable Bracket (L) into the screw hole on (M) to secure the cabinet to the wall.





# STEP 9

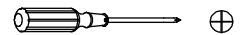
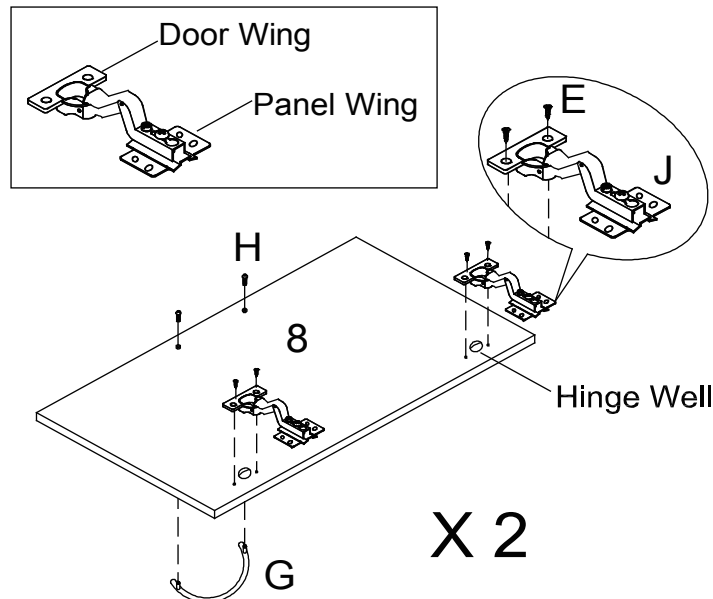
I		4 pcs
---	--	-------



Insert Shelf Pin (I) into the pin holes at the desired height and place Adjustable Shelf (3)

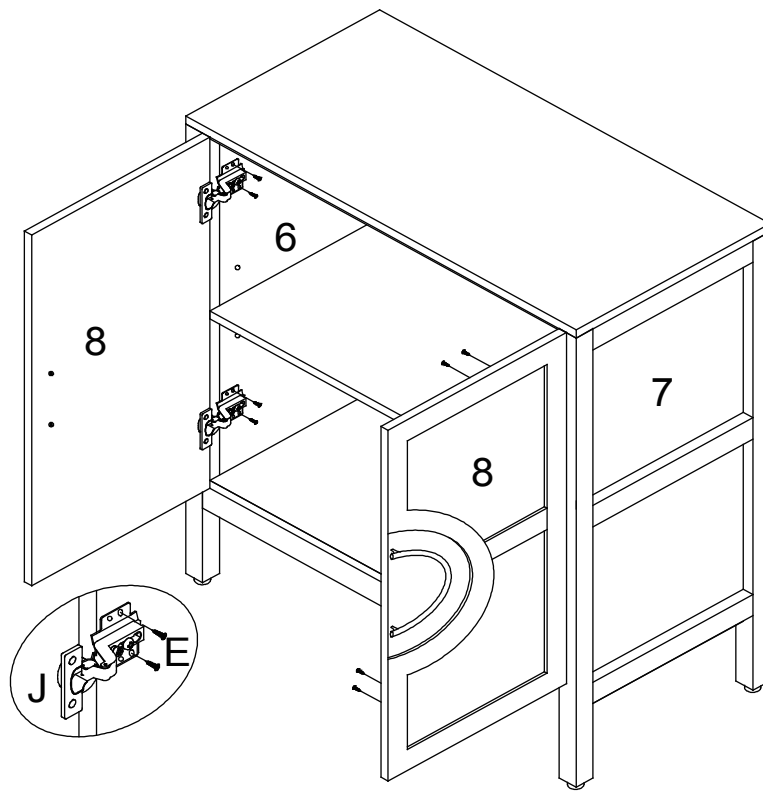
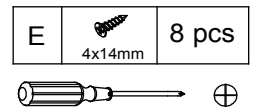
# STEP 10

E	 4x14mm	8 pcs
G		2 pcs
H		4 pcs
J		4 pcs



- Lay Door Panel (8) as shown on a material that does not scratch or damage the part.
- Fit Door Wing of Hinge (J) to the hinge well on (8).
- Align the screw holes on (J) to the pilot holes on (8) and fasten with Screw (E). Do not tighten (E) completely until both screws are in place on each Door Wing of the Hinge.
- Use Screw (H) to fasten Handle (G) to (8).

## STEP 11

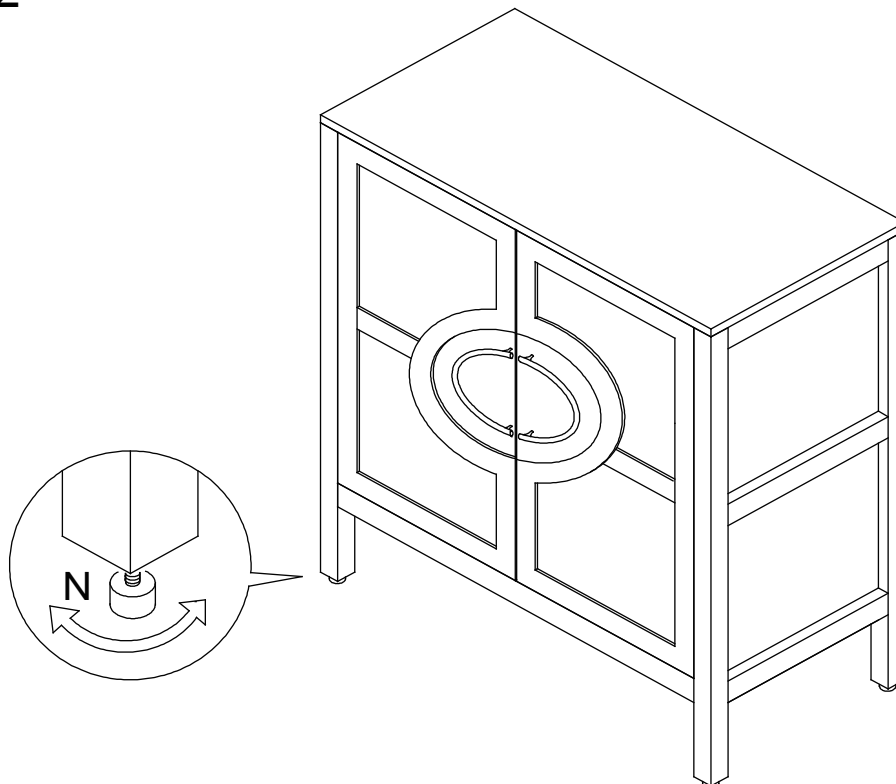


With assistance, fasten Door (8) to Left Panel (6) and Right Panel (7) via Panel Wing of Hinge with Screw (E).

**Important:** (1) Use the designated back two screw holes on Panel Wing for Screw (E).

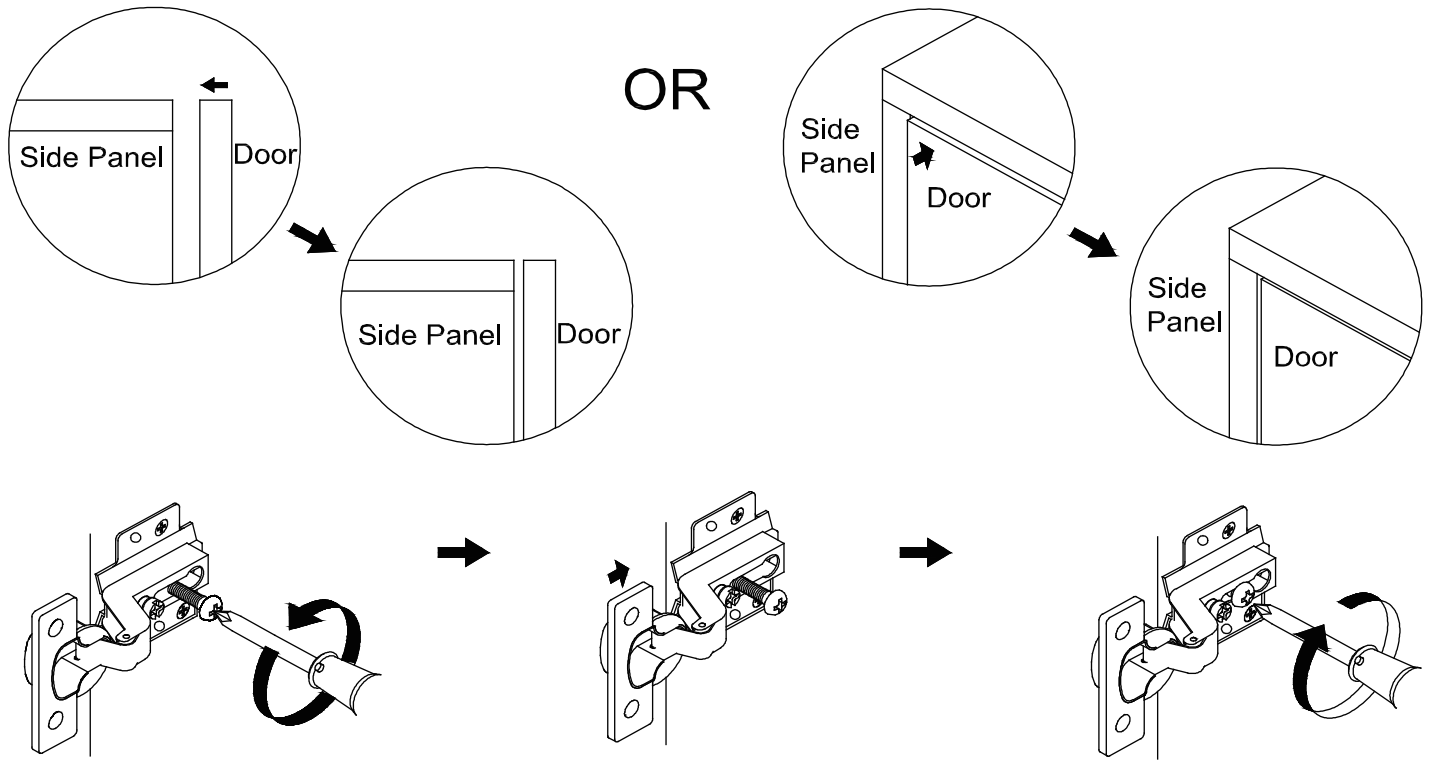
(2) Refer to the last adjustment procedure in STEP 13 for additional steps to fasten Door (8).

## STEP 12

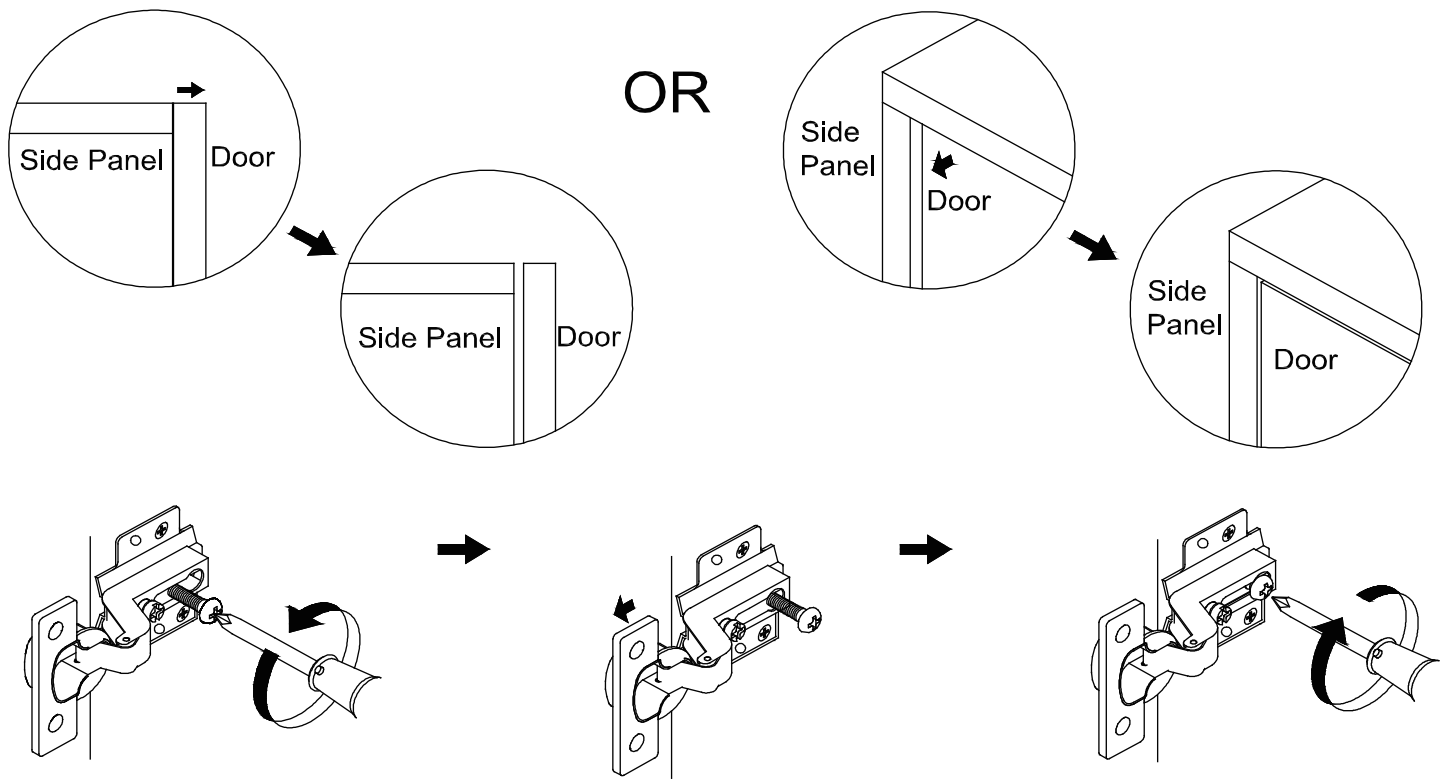


Adjust the adjustable Leg Stud (N) on Leg to level the cabinet if necessary.

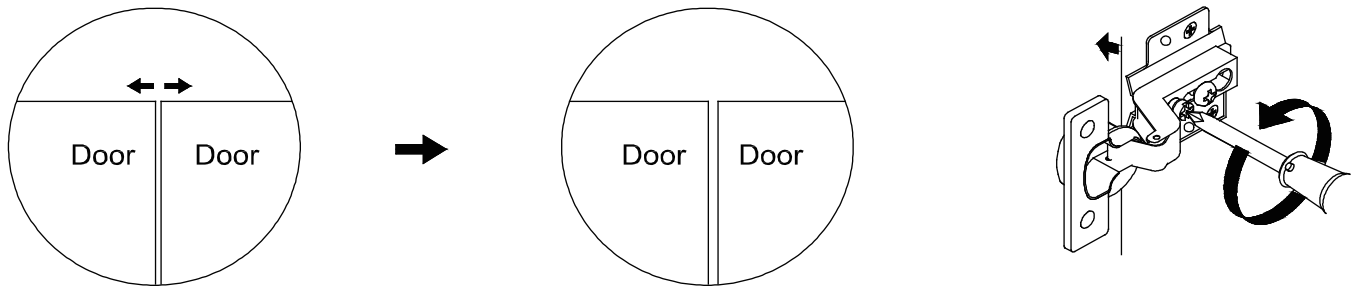
# STEP 13



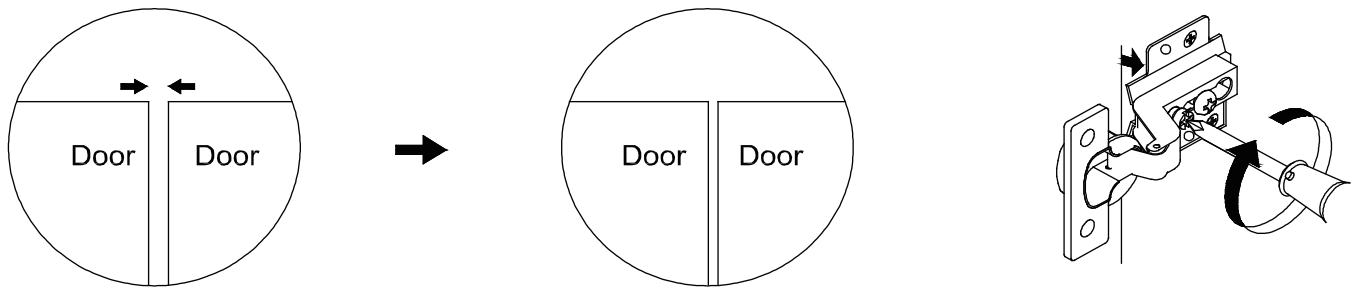
If there is gap between the side panel and the door or the top of the door is not level with the side panel, loosen the screw at the back of the hinge as shown, then move the hinge in or out until the desired gap is achieved, and then re-tighten the back screw.



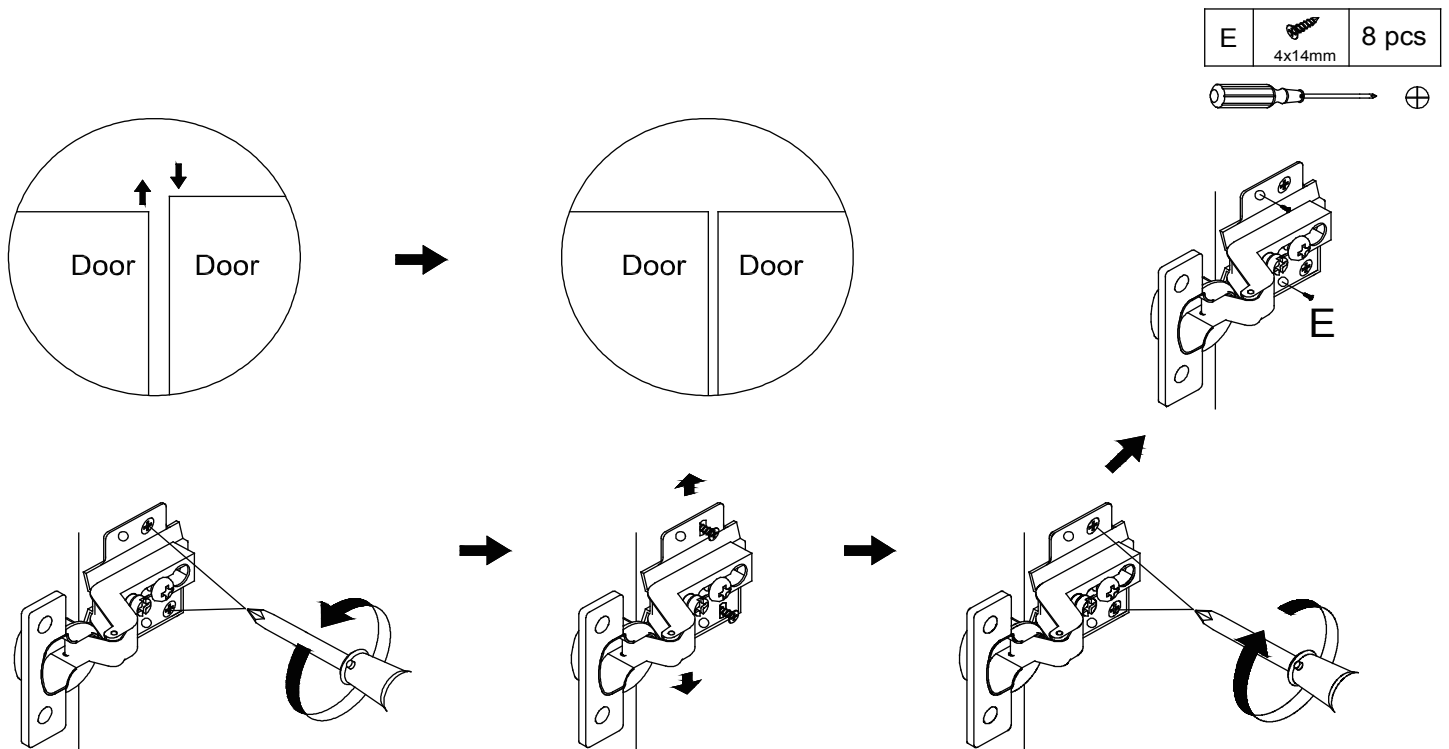
If there is gap between the side panel and the door or the top of the door is not level with the side panel, loosen the screw at the back of the hinge as shown, then move the hinge in or out until the desired gap is achieved, and then re-tighten the back screw as shown.



If the gap is too tight between the two doors, loosen the screw at the front of the hinge as shown to make the adjustment and then re-tighten the screw.



If the gap is too tight between the two doors, loosen the screw at the front of the hinge as shown to make the adjustment and then re-tighten the screw.



a) If the doors are not leveled with each other, loosen the screws (installed on STEP 11) at the Panel Wing of the hinge, then adjust the hinge up or down until the desired level or when both doors are leveled, and then re-tighten the screws.

b) When all the desired positions are in place, use the remaining eight Screw (E) to fasten the Wing Panel using the front two screw holes on Panel Wing.

The assembly of the Cabinet is complete.