

# **INSTRUCTION MANUAL**

## **10FT x 10FT Gazebo**

**IF YOU PURCHASED THE PRODUCT ONLINE AND HAVE ANY**

**QUESTIONS OR CONCERNS PLEASE**

**CONTACT US WITH EMAIL OR TEXT**

**EMAIL: [yardsightfurniture@outlook.com](mailto:yardsightfurniture@outlook.com)**

**TEXT: +1 323-400-0363**

Thank you for your purchase of Gazebo and follow this assembly and operation guide.

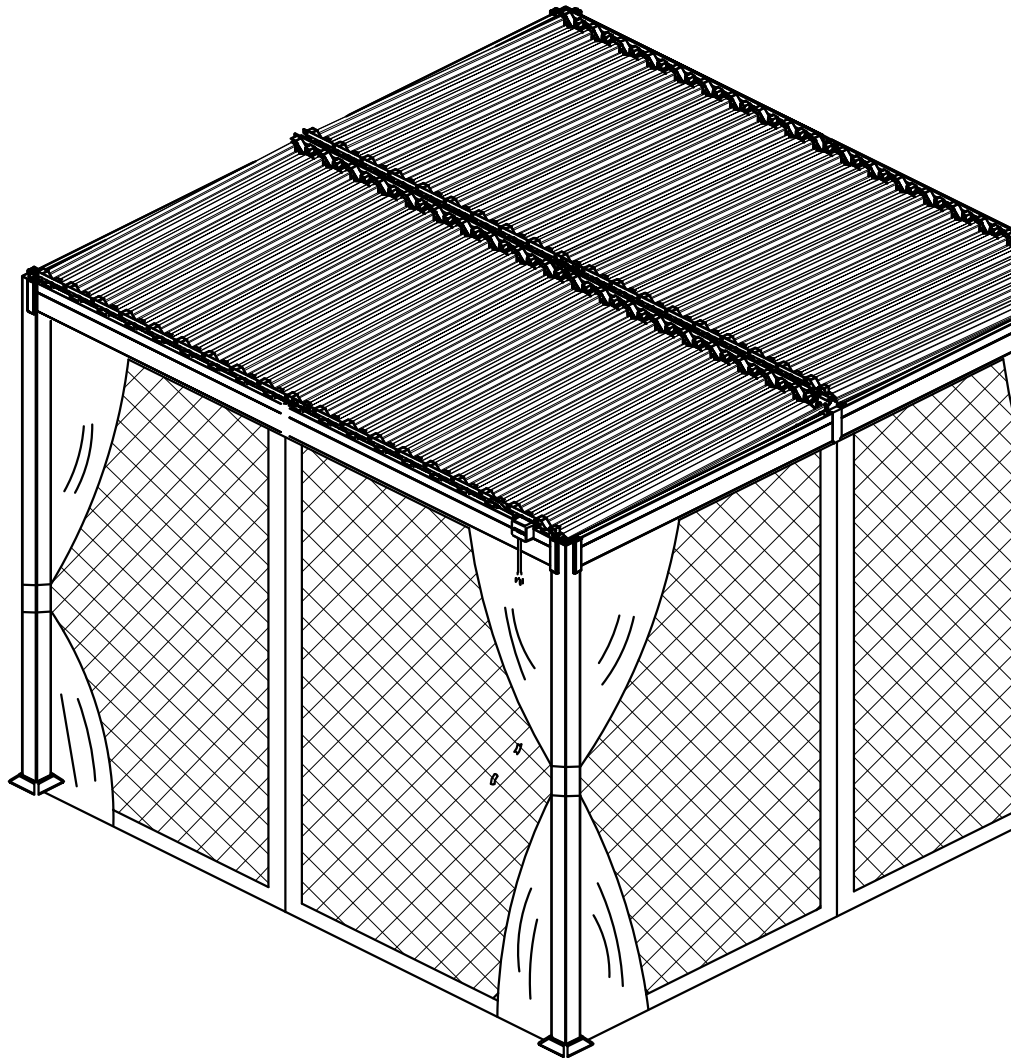
To reduce personal injury and damage to your gazebo, please attach your gazebo curtain to the post when it is incoming over **20 mph** wind.

We recommend a **five-person team** for assembly and disassembly.

If you like our products,  
please follow more.

# Care and Cleaning

- Wash frame parts and fabric with mild soap and water, rinse thoroughly.
- Dry the frame completely and allow the fabric to drip dry.
- Do not use bleach, acid, or other solvents on the fabric or frame parts.
- Please inspect and tighten all bolts or fasteners on a regular basis to ensure the proper performance and safety of your gazebo.



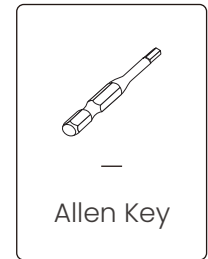
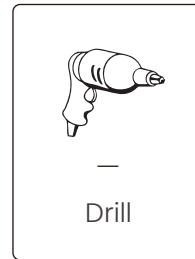
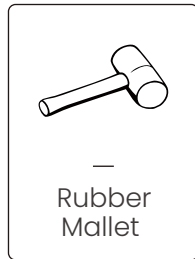
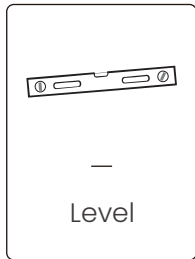
# Warnings and Cautions

- Please retain this instruction for future usage and read carefully before assembly.
- Make sure you have all the parts & hardware as the item list shows.
- 5 adults or more are recommended to install your gazebo.
- Do not discard any of the packaging until you have checked that you have all the parts and pack of fittings.
- Check all bolts for tightness before use, and periodically check and tighten bolts to ensure your gazebo works properly.
- Some parts might have sharp edges/corners. Please follow basic safety precautions to reduce the risk of hurt.
- It is essential to place the gazebo on level ground and not less than 6 feet from any obstruction such as fences, garages, the house, overhanging branches, laundry lines, or electrical wires.
- Lastly, be careful the parts are not swallowed by pets and kids.

# Pre-assembly

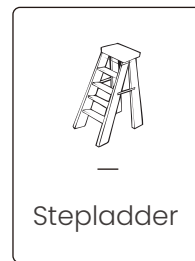
## TOOLS THAT MAY BE REQUIRED (NOT included in the boxes)

\*NOTE: Tools / equipment are not shown to actual size and scale



## EQUIPMENT REQUIRED (NOT included in the boxes)

\*NOTE: Equipment are not shown to actual size and scale



# Matters needing attention



Five or more people are required for assembly.



Do not fully tighten screws prior to complete assembly.

# Warranty

## One Year Warranty

### Frames

---

Frames constructions are warranted to be free from defects in material and workmanship for 1 year from item purchased. Damage to frame from negligence won't be covered by this warranty.

### Bolts & nuts

---

Bolts and nuts are warranted to be free from defects in material and workmanship for 1 year from item purchased. Damage from exposure to chemicals (including not only oils, spills, fluids) won't be covered by this warranty.

### Curtains & Netting

---

Curtains and netting are warranted to be free from defects in material and workmanship for 1 year from item purchased. Damage from exposure to chemicals (including but not only oils, spills, fluids) won't be covered by this warranty.

### Warranty Limitation

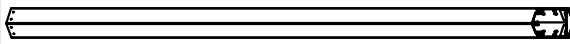
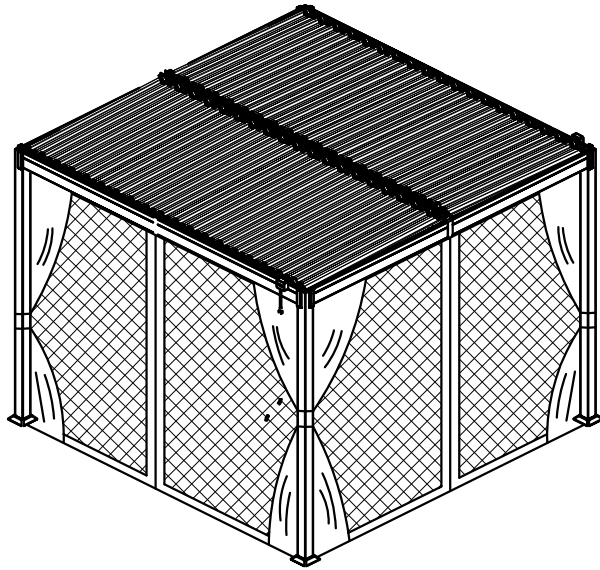
---

This warranty is for the original purchase order only. (Order number required). This warranty is non-transferable.

Box A		H1	1	Box E	
Part #	Qty	H2	1	Part #	Qty
F	18	W	1	A2	4
T	2	N3	1	L	38
U1	1	N4	1	R	38
U2	1	N5	2	C1	2
		N6	2	1.2.3.4.5.6.7.8.9 10.11.12.13.14.15 16.17.18.19.20.21 22.23.24.25.26.27	1
		M	96		
Box B		J1	2		
Part #	Qty	J2	2		
F	20	J3	1		
		Q1	12		
		Q2	22		
Box C					
Part #	Qty	Box D			
B1	1	Part #	Qty		
B2	1	B5	2		
B3	1	B6	2		
B4	1	S1	1		
G1	4	S2	1		
G2	4	D3	1		
H	4	D4	1		
D1	4	K1	2		
D2	4	K2	2		
C2	2	K3	4		
C4	8				
C5	38				
K	2				
C7	2				
C8	19				
X1	5				
X2	5				

### Attention:

1. Please do not fully tighten all the screws prior to complete assembly.
2. Please check the manual carefully and make sure you have received all the parts.
3. If there is any missing, please let us know the parts with the part number you need.
4. If there is any damage, please send clear photos to us, we will check and offer you best solution soon.



(A2) 4x



(B1) 1x



(B2) 1x



(B3) 1x



(B4) 1x



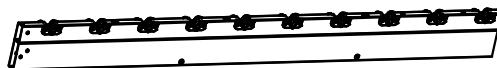
(B5) 2x



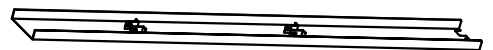
(B6) 2x



(S1) 1x

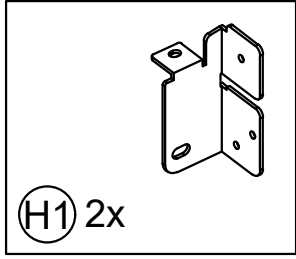
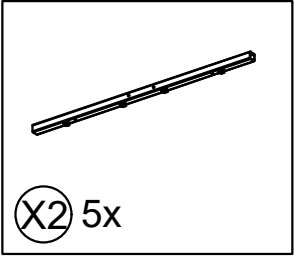
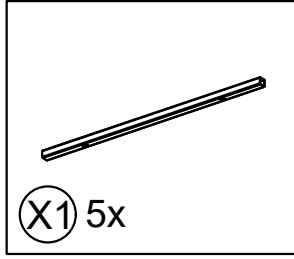
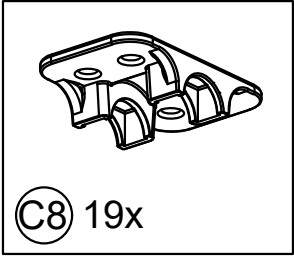
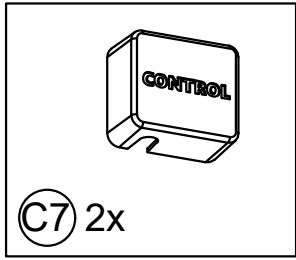
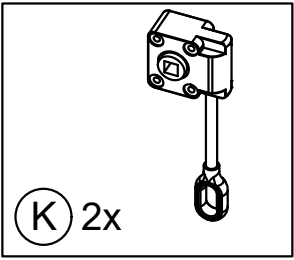
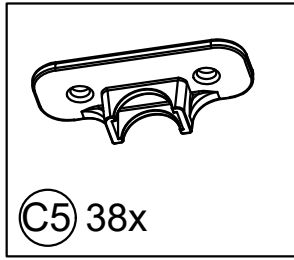
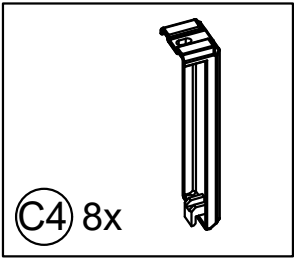
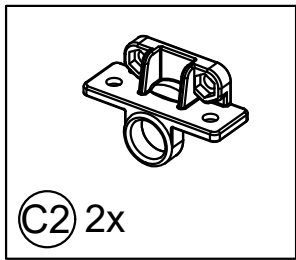
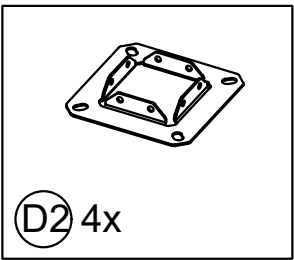
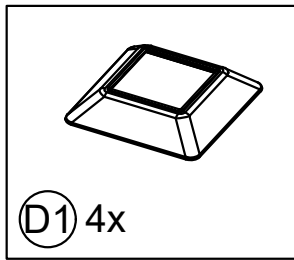
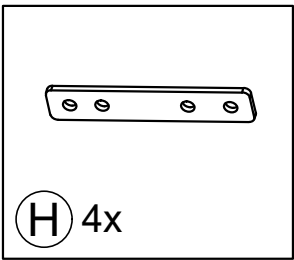
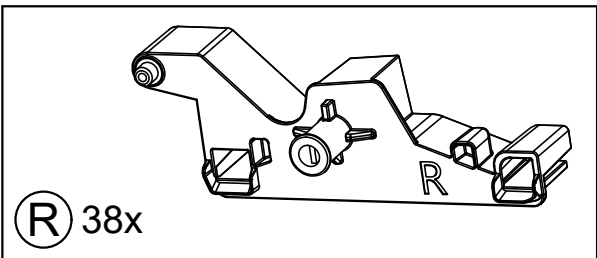
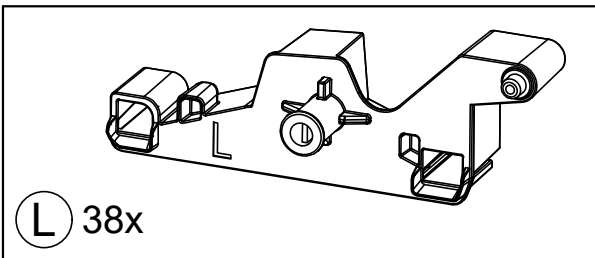
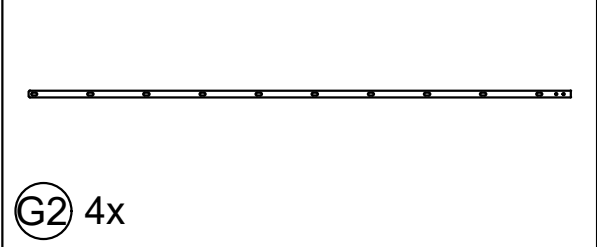
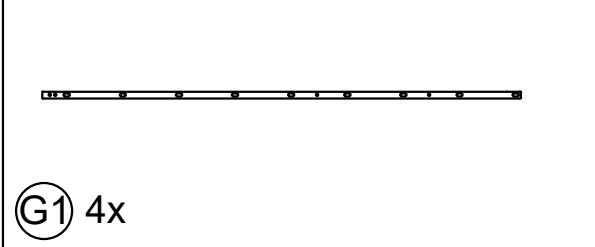
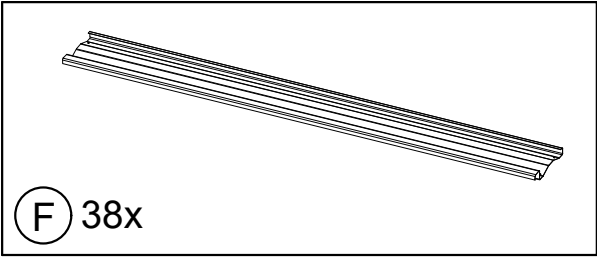
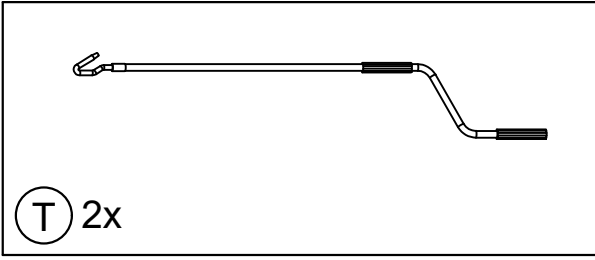
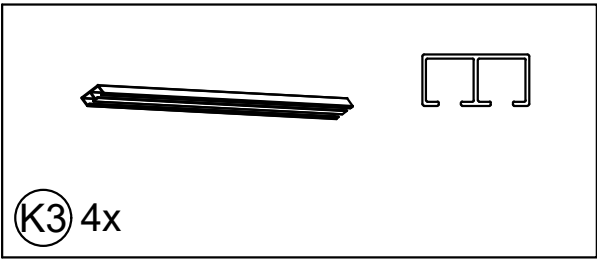
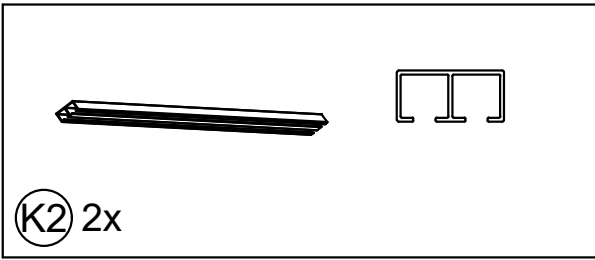
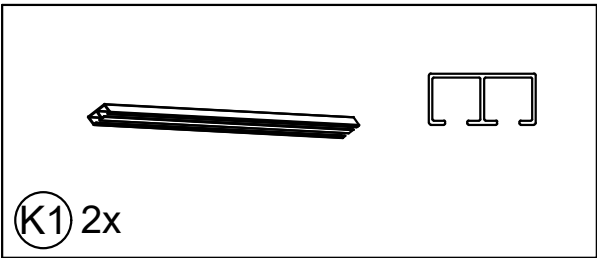
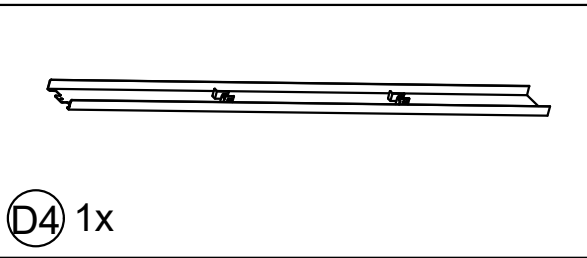


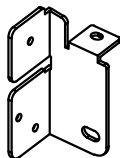
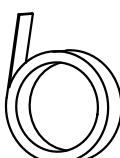
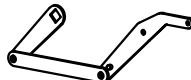
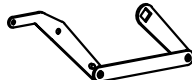
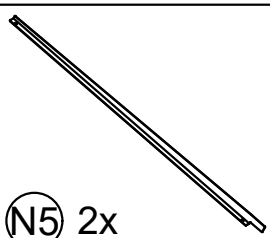
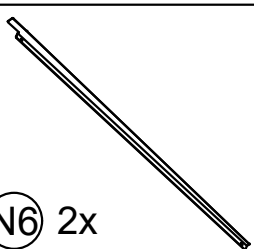

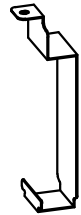
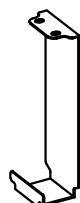
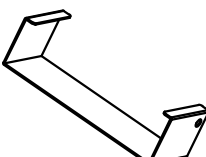




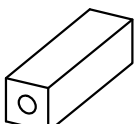

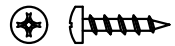






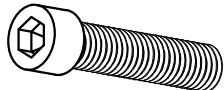
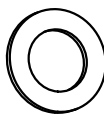

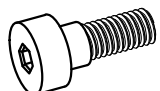
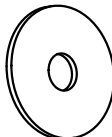
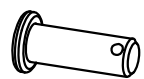
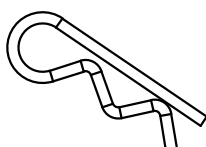


(S2) 1x

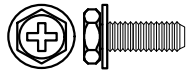


(D3) 1x



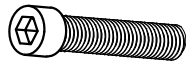


 H2 2x	 W 1x	 N3 1x	 N4 1x
 N5 2x	 N6 2x	 M 96x	 J1 2x
 J2 2x	 J3 1x	 U1 1x	 U2 1x
 Q1 12x	 Q2 22x	 C1 2x	 M5x15 1 204x
 M4x20 2 152x	 M4x12 3 76x	 M6x15 4 4x	 M6x40 5 8x
 M5x24 6 2x	 M6x10 7 32x	 M6 8 4x	 M8x25 9 48x
 $\phi 8.5 * \phi 14 * 1$ 10 48x	 M5x10 11 2x	 12 2x	 $\phi 5 * \phi 18 * 1$ 13 2x
 14 2x	 15 2x	 16 2x	 M3x12 17 24x



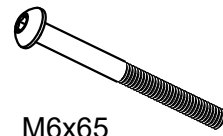
M6x10

18 8x



M8x45

19 20x



M6x65

20 10x



21 8x



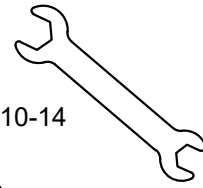
3mm

24 1x



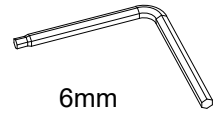
4mm

25 1x



10-14

26 1x



6mm

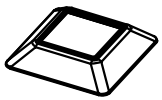
27 1x

<1>

Plastic plugs and screws are protective materials.  
Remove them before assembly.



(A2) 4x



(D1) 4x

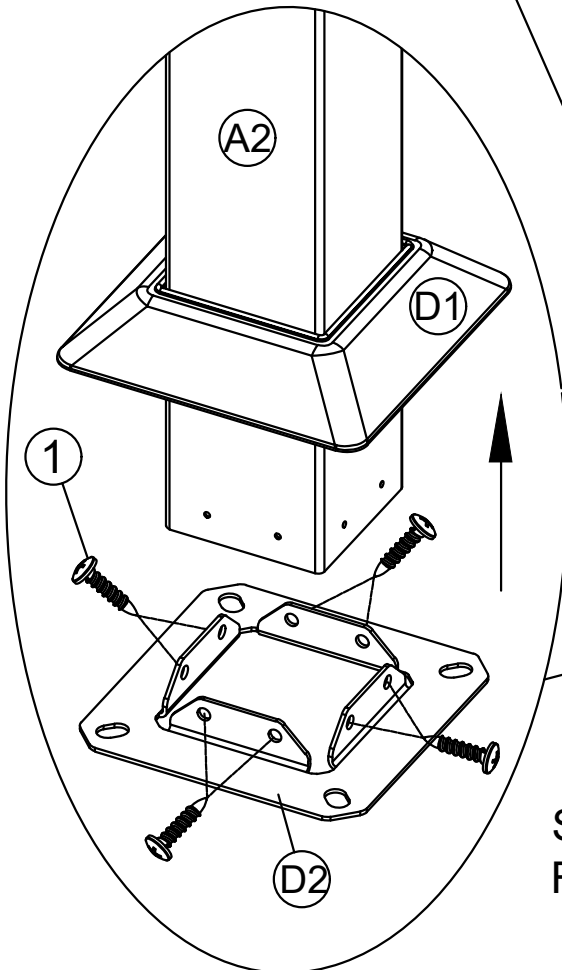
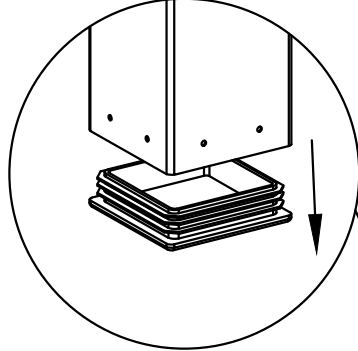
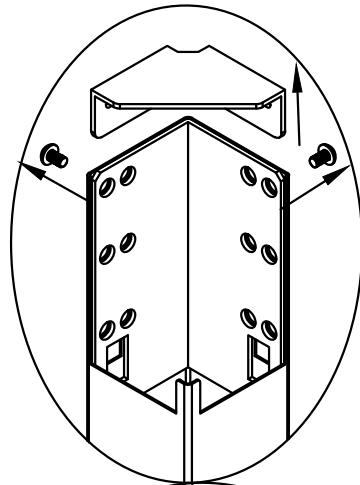


(D2) 4x

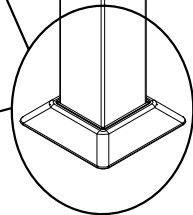
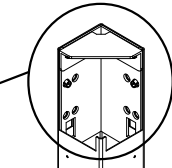


M5x15

(1) 32x



(A2)

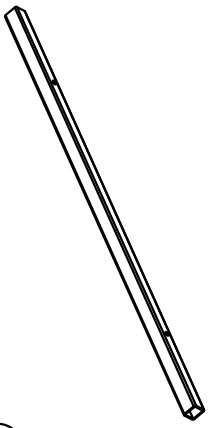


Secure D2 to A2.  
Repeat this step four times.

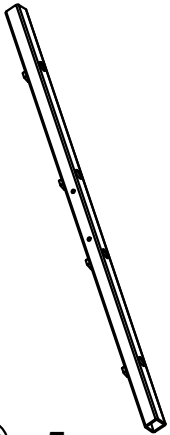
<2>

Please pay attention to the direction. If the installation is incorrect as shown in the picture, it will be impossible to install later.

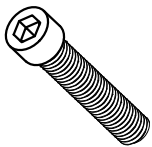
(X1) 5x



(X2)

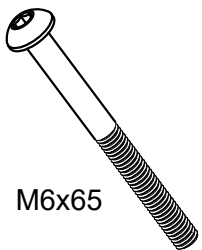


(X2) 5x



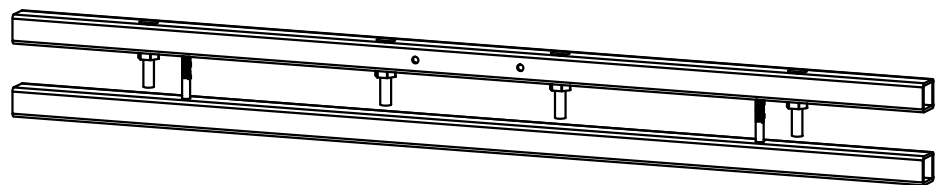
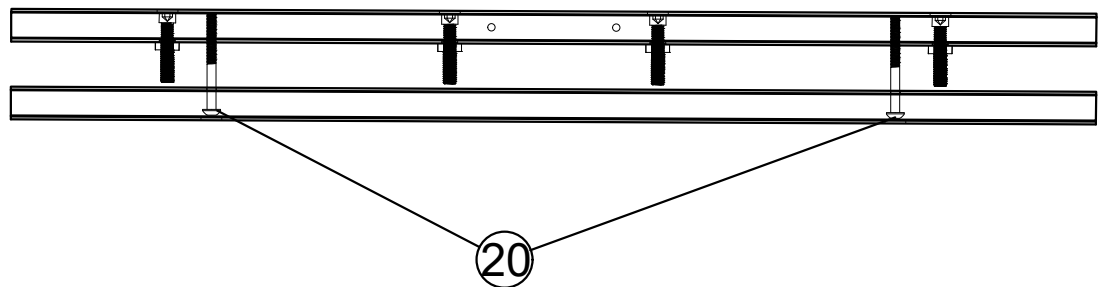
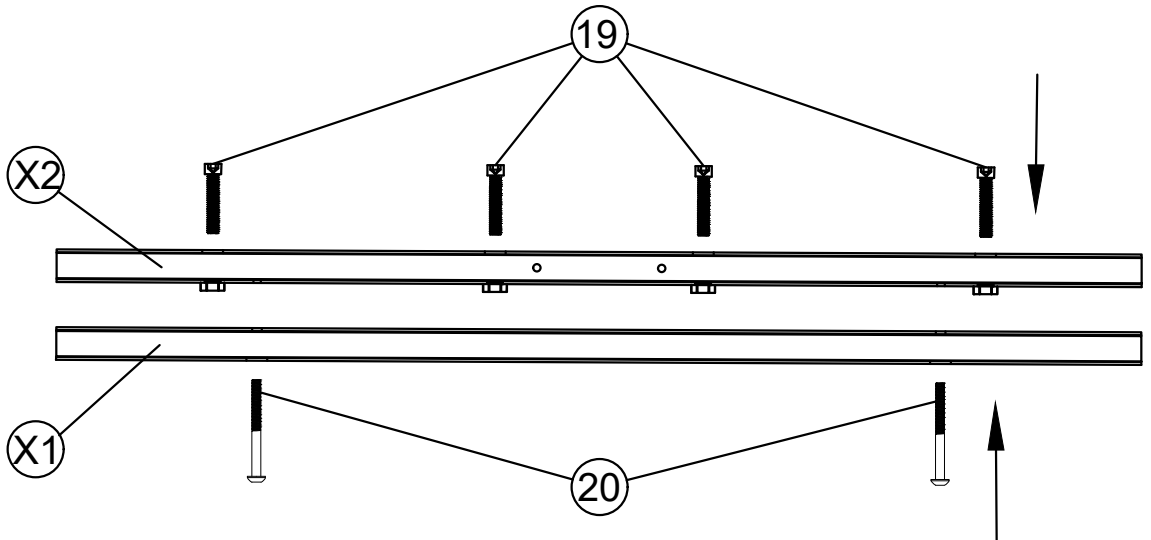
M8x45

(19) 20x



M6x65

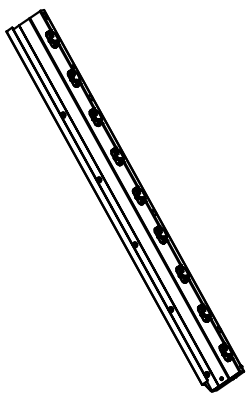
(20) 10x



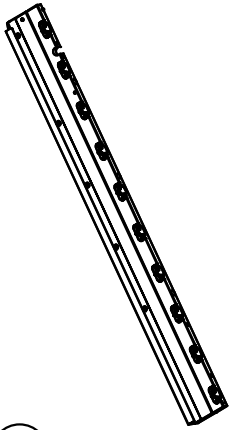
After assembly, the component is numbered AB for easy identification of the next operation.

Repeat component AB five times.

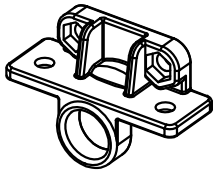
<3>



(B1) 1x



(B2) 1x

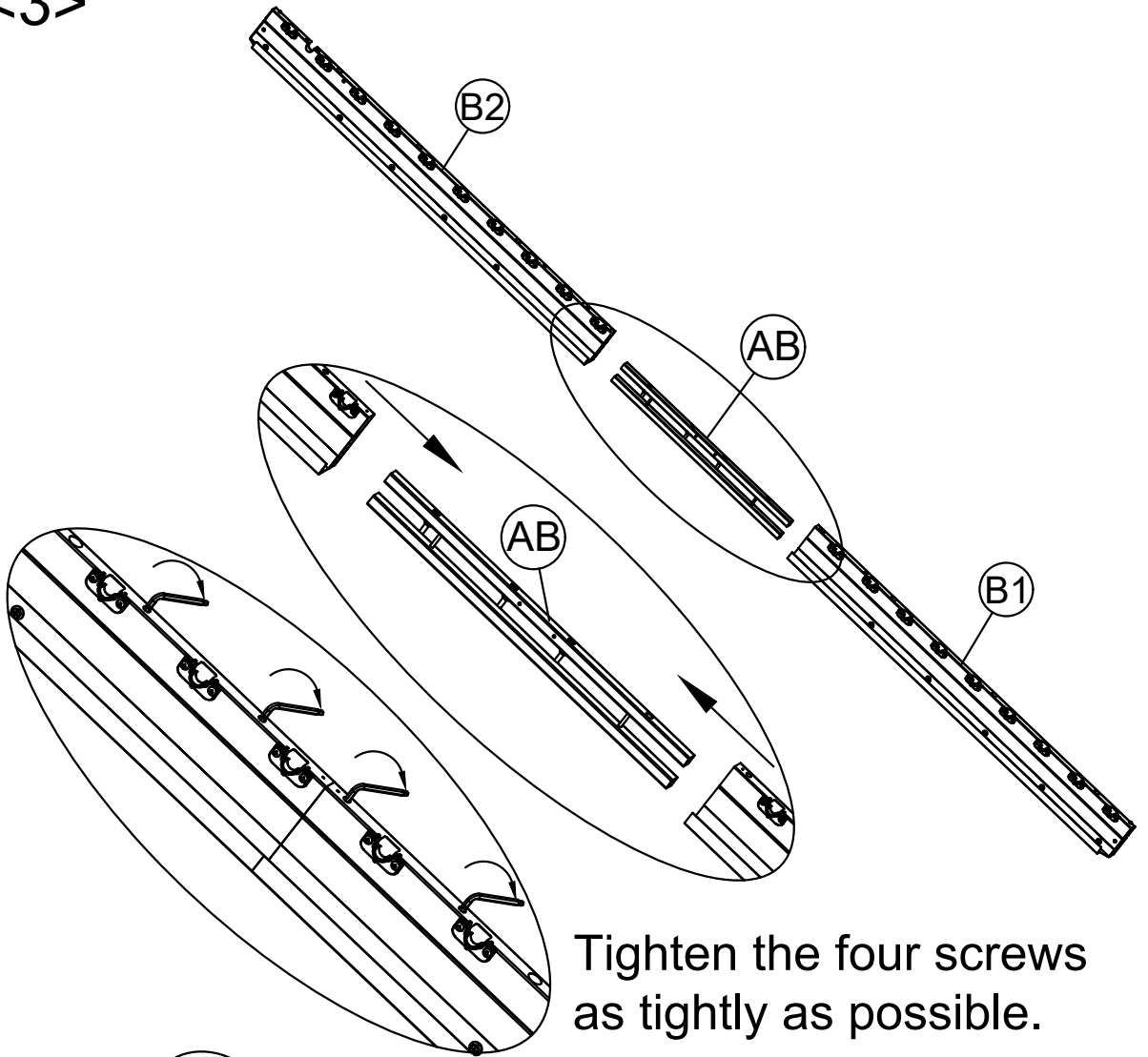


(C2) 1x

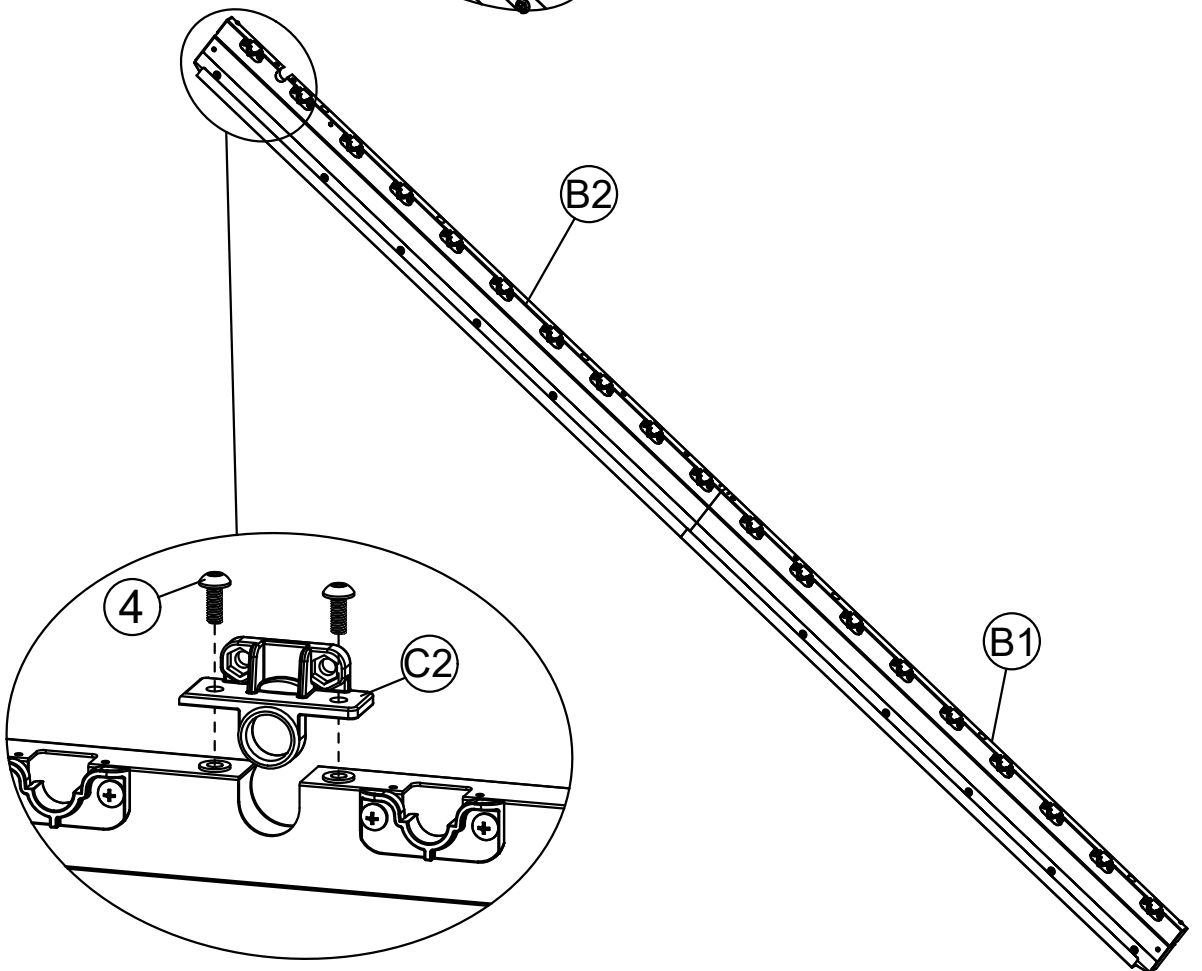


M6x15

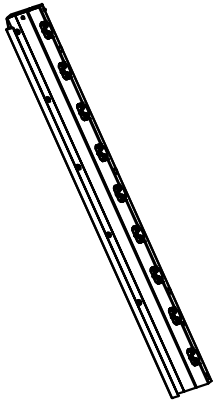
(4) 2x



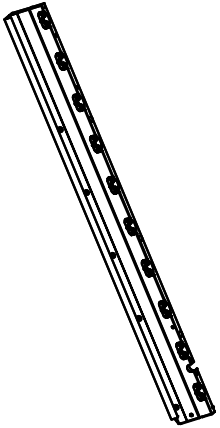
Tighten the four screws as tightly as possible.



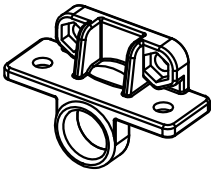
<4>



B3 1x



B4 1x

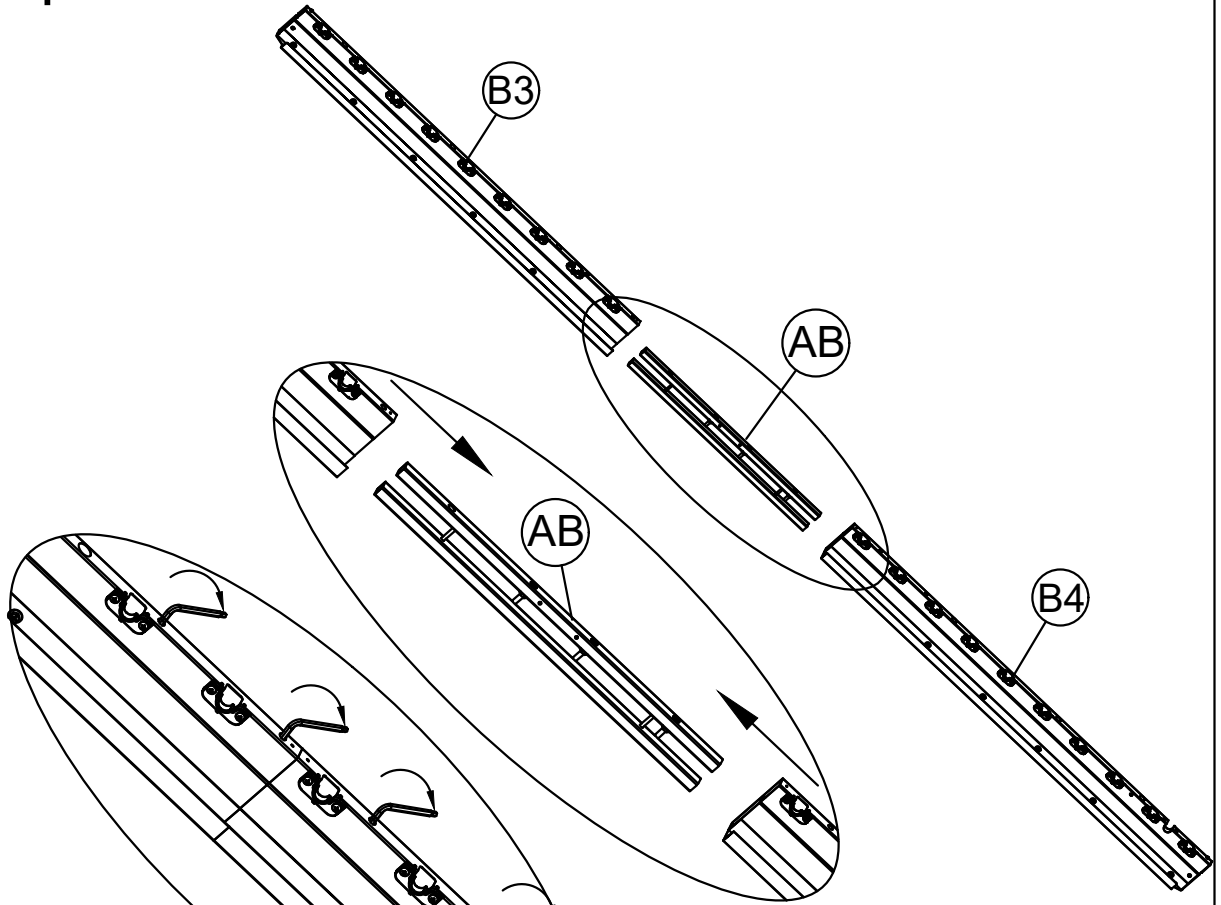


C2 1x

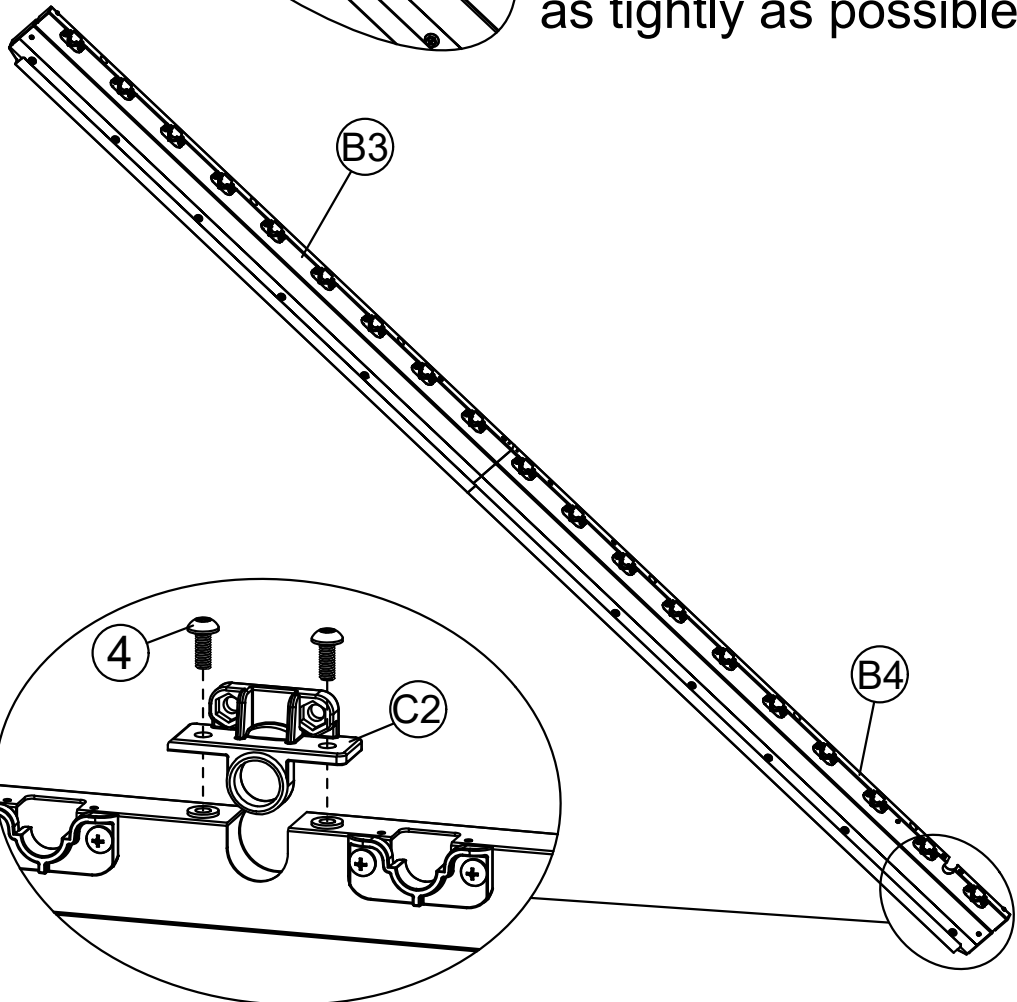


M6x15

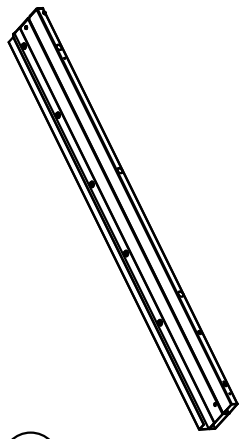
4 2x



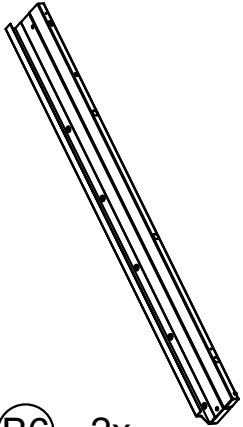
Tighten the four screws as tightly as possible.



<5>



(B5) 2x

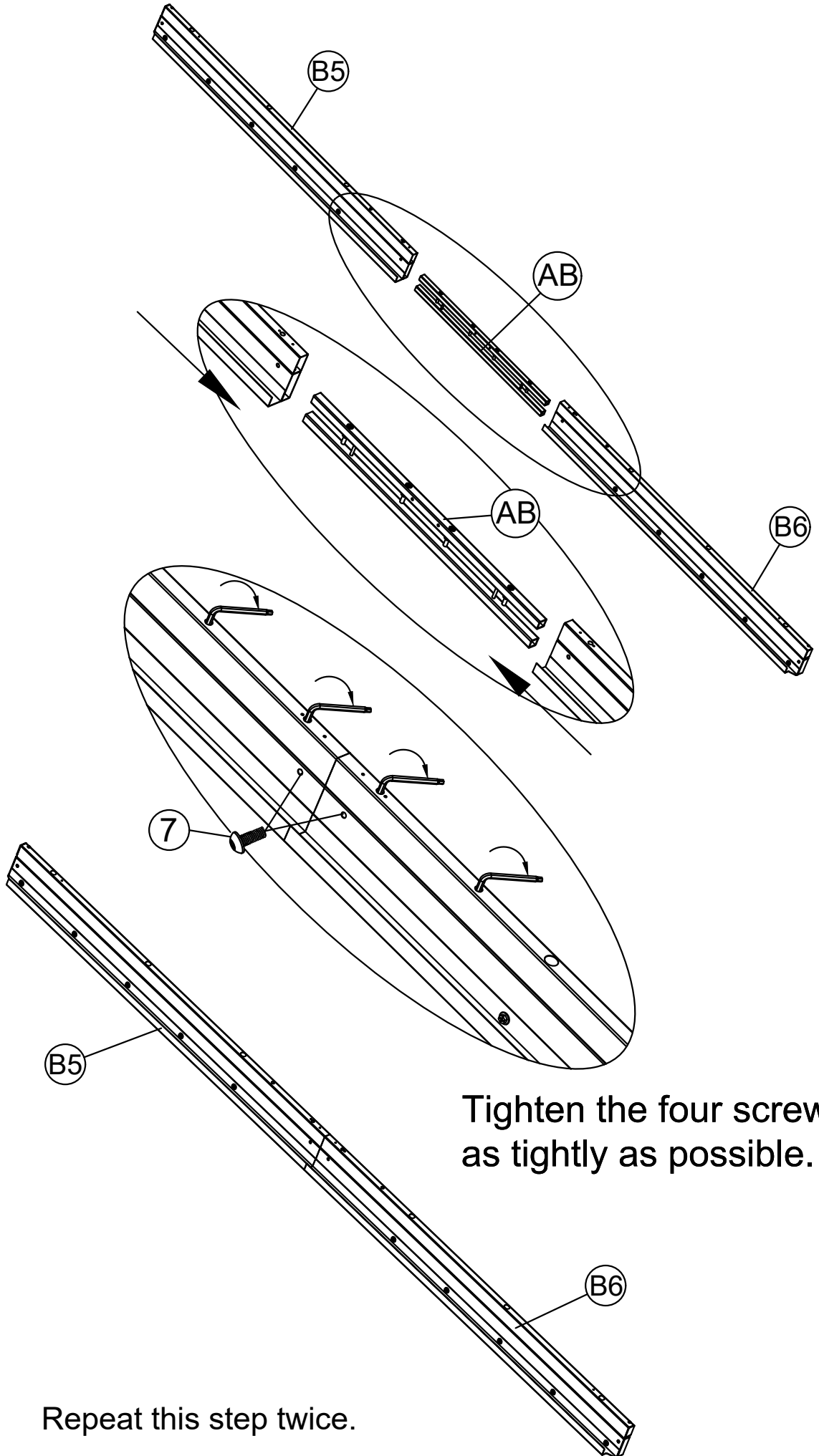


(B6) 2x



M6x10

(7) 4x

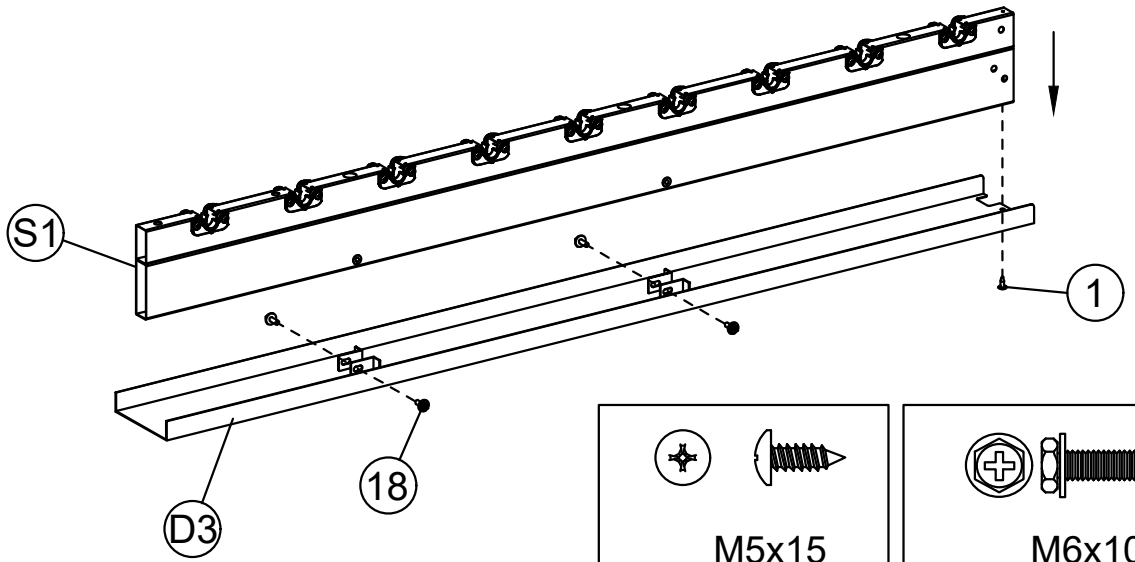
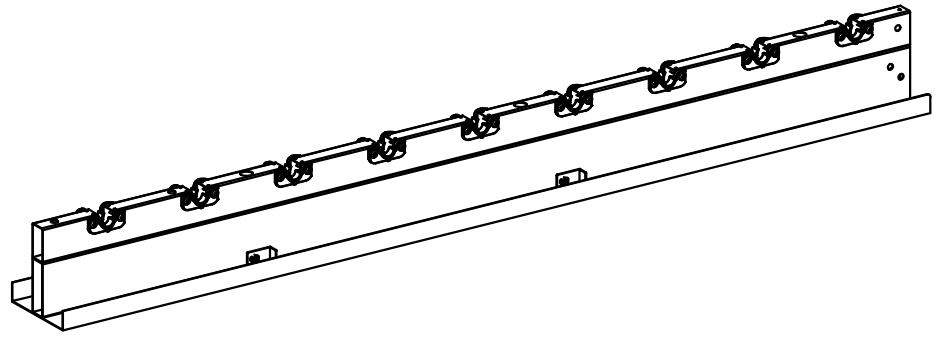
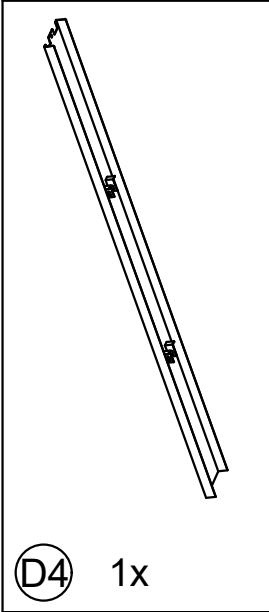
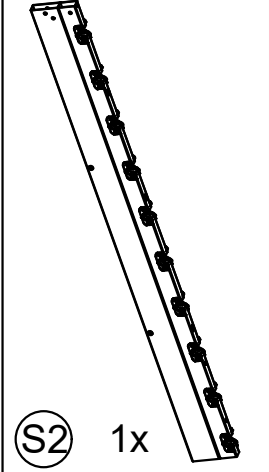
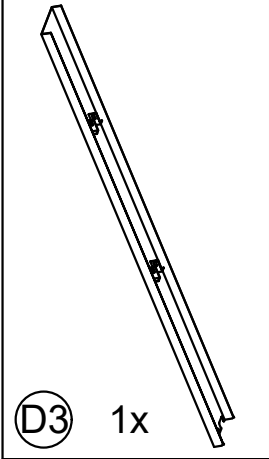
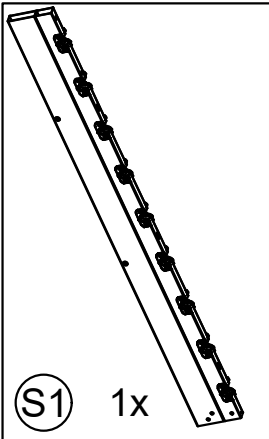




Tighten the four screws as tightly as possible.



Repeat this step twice.

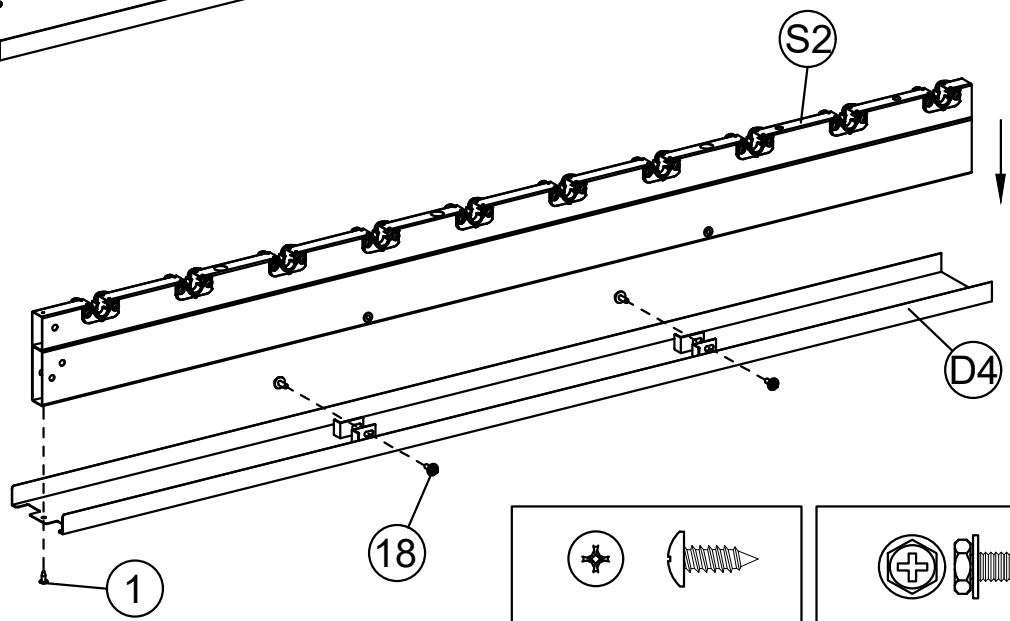
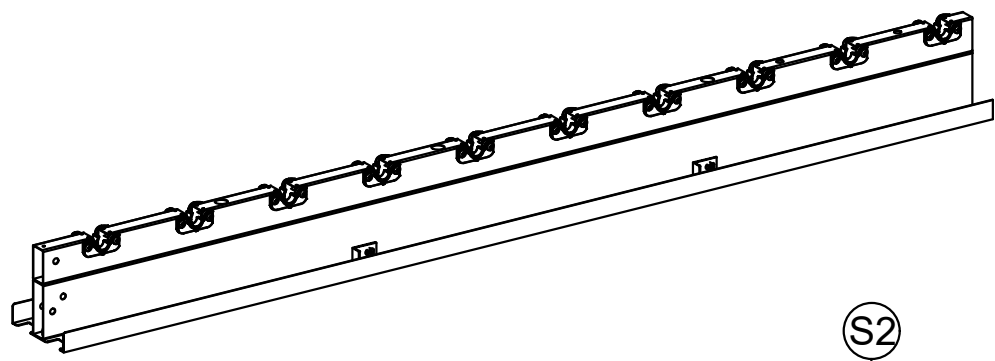



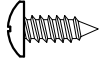
<6>





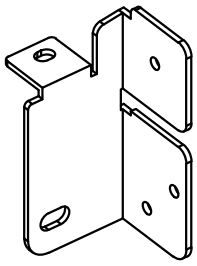
	
M5x15	
(1) 1x	

	
M6x10	
(18) 4x	

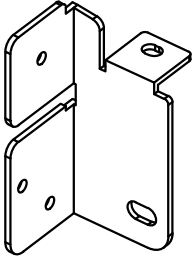


	
M5x15	
(1) 1x	

	
M6x10	
(18) 4x	



(H1) 2x



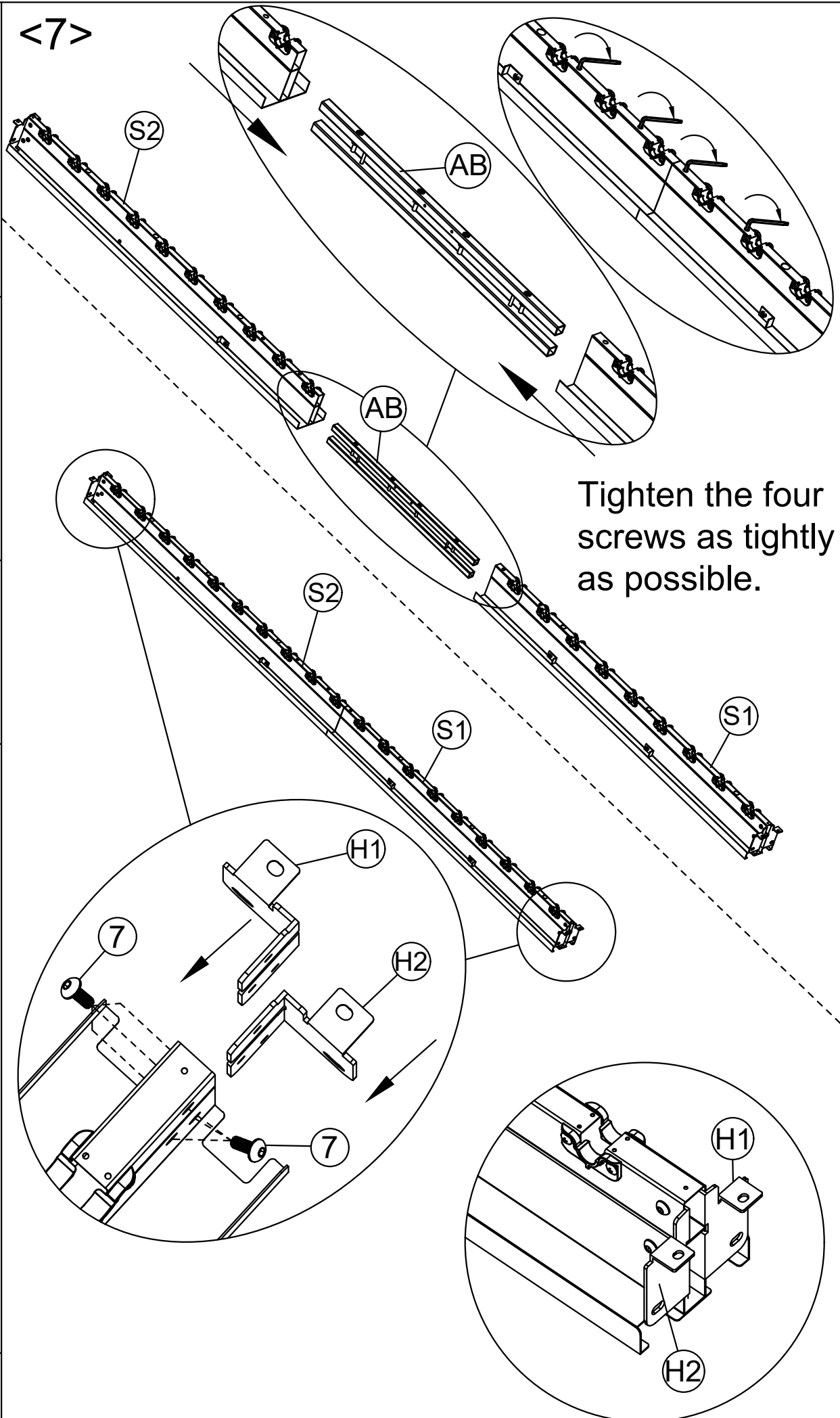
(H2) 2x



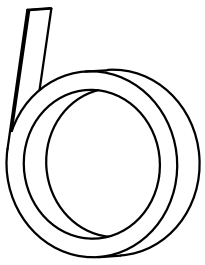
M6x10

(7) 12x

<7>



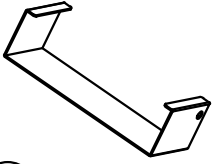
Tighten the four screws as tightly as possible.



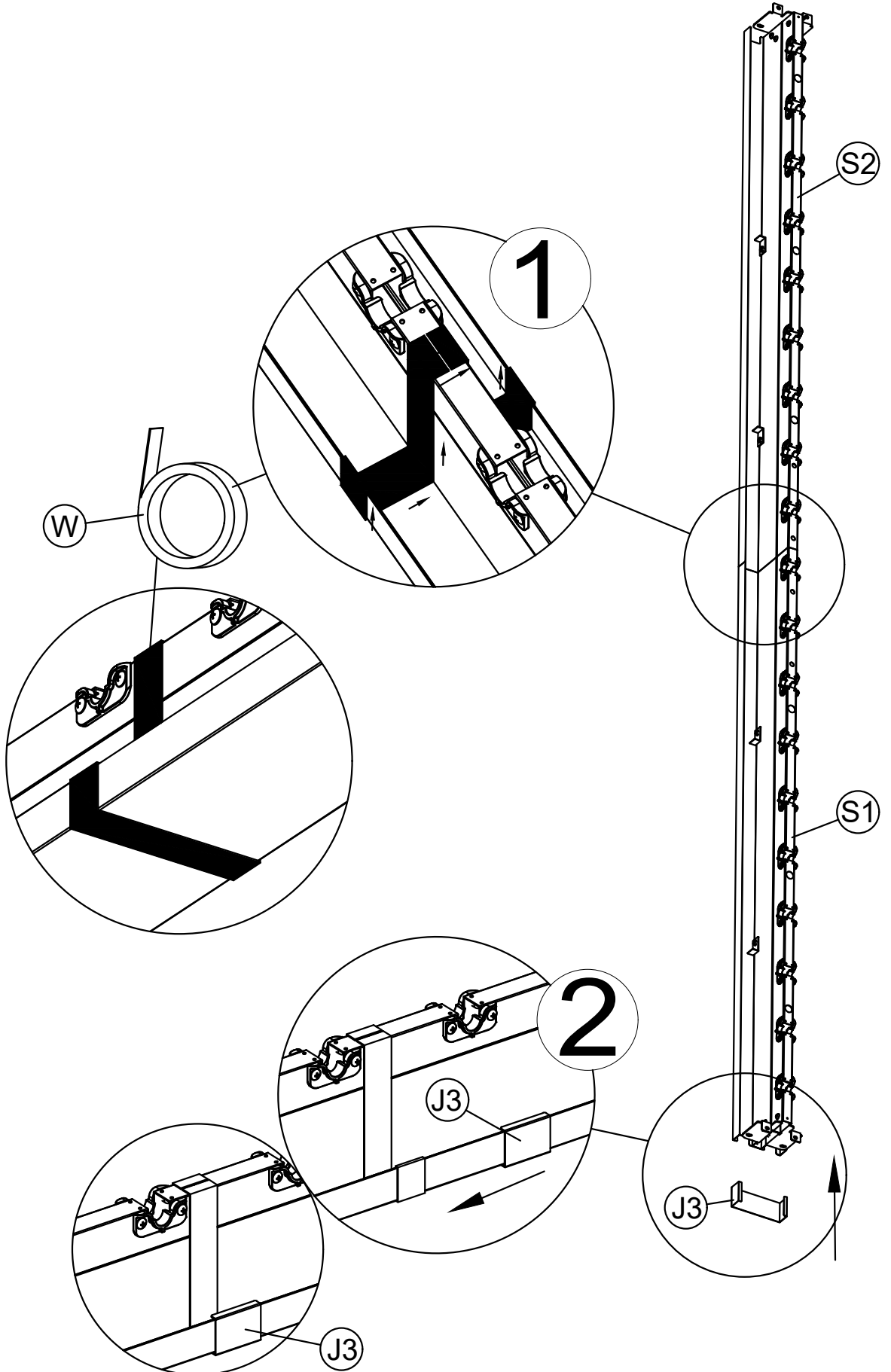
<8>

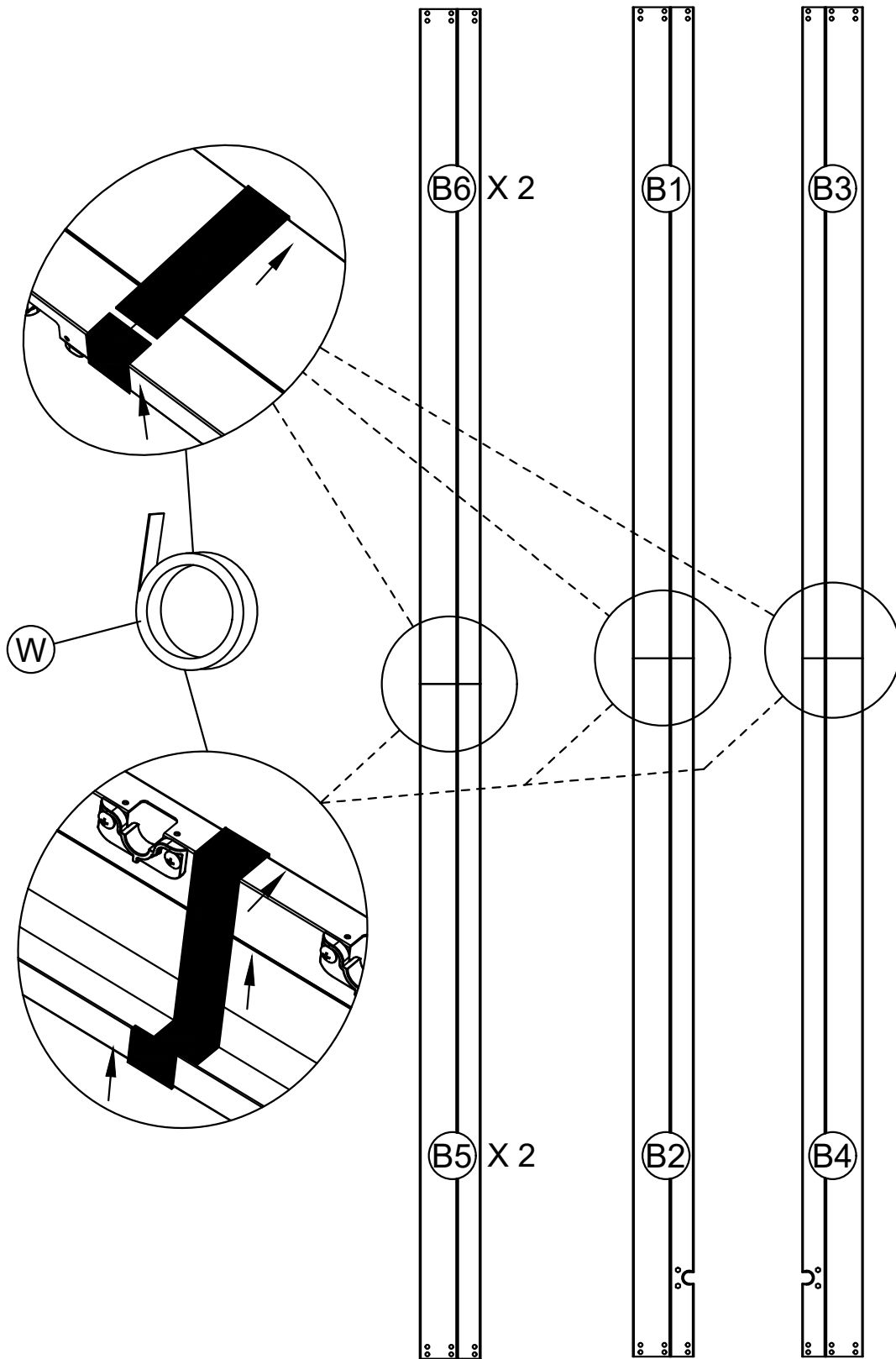
Wrap the crossbeam with waterproof tape all around. Make sure to wrap evenly on both sides. Press down firmly at the corners of the recessed area.

(W) 1x



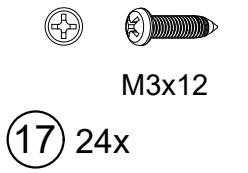
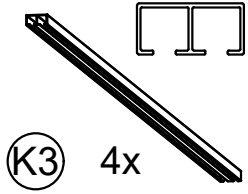
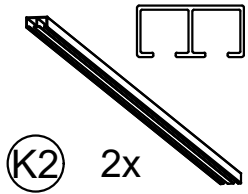
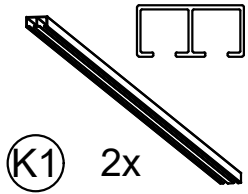
(J3) 1x



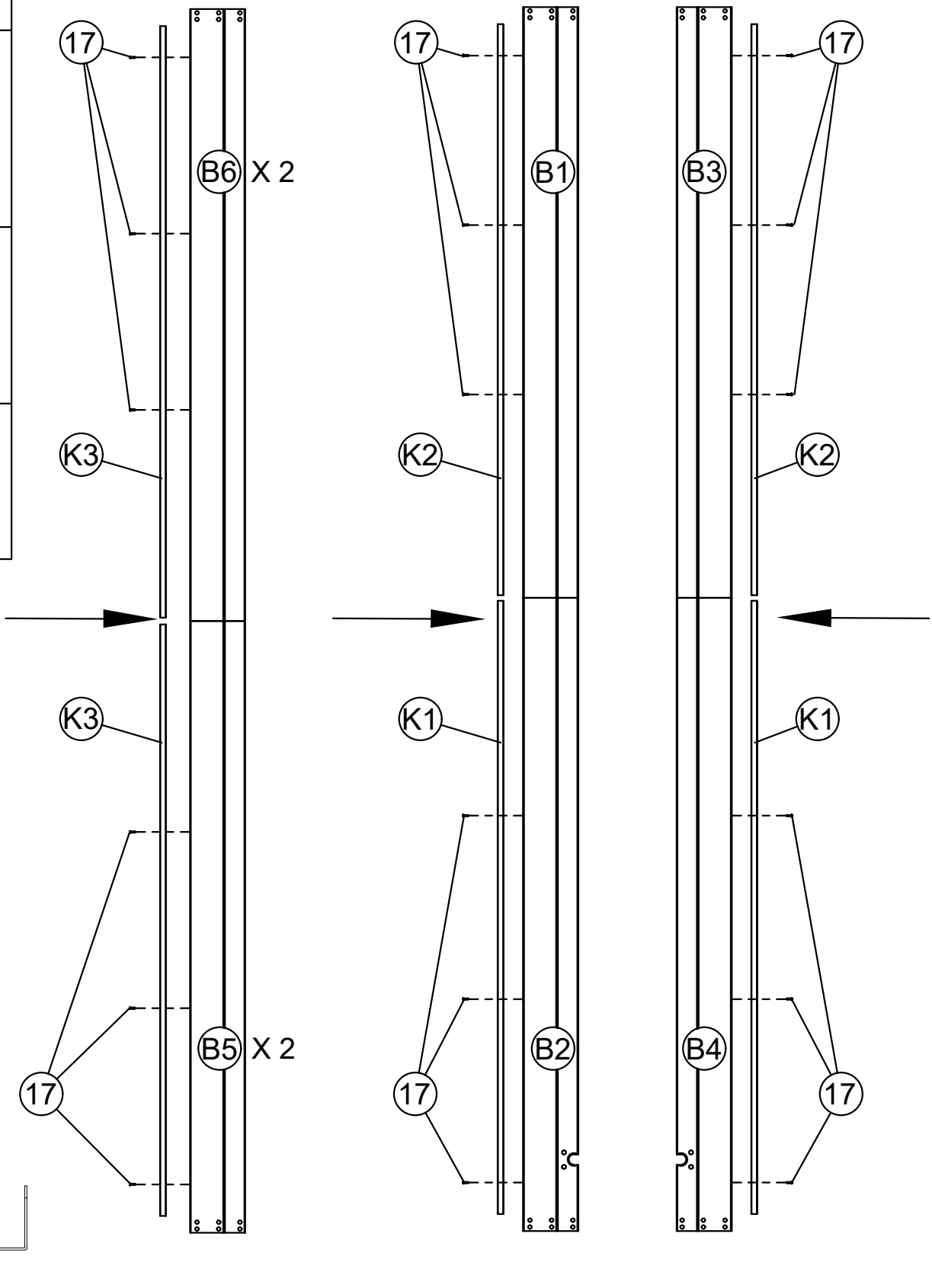


Wrap the crossbeam with waterproof tape all around. Make sure to wrap evenly on both sides. Press down firmly at the corners of the recessed area.

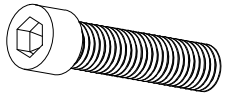
<10>



M3x12

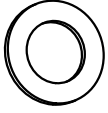


K1, K2, and K3 curtain rods should be inserted into the corresponding beams. If the sequence is incorrect, the subsequent cover plates cannot be installed.



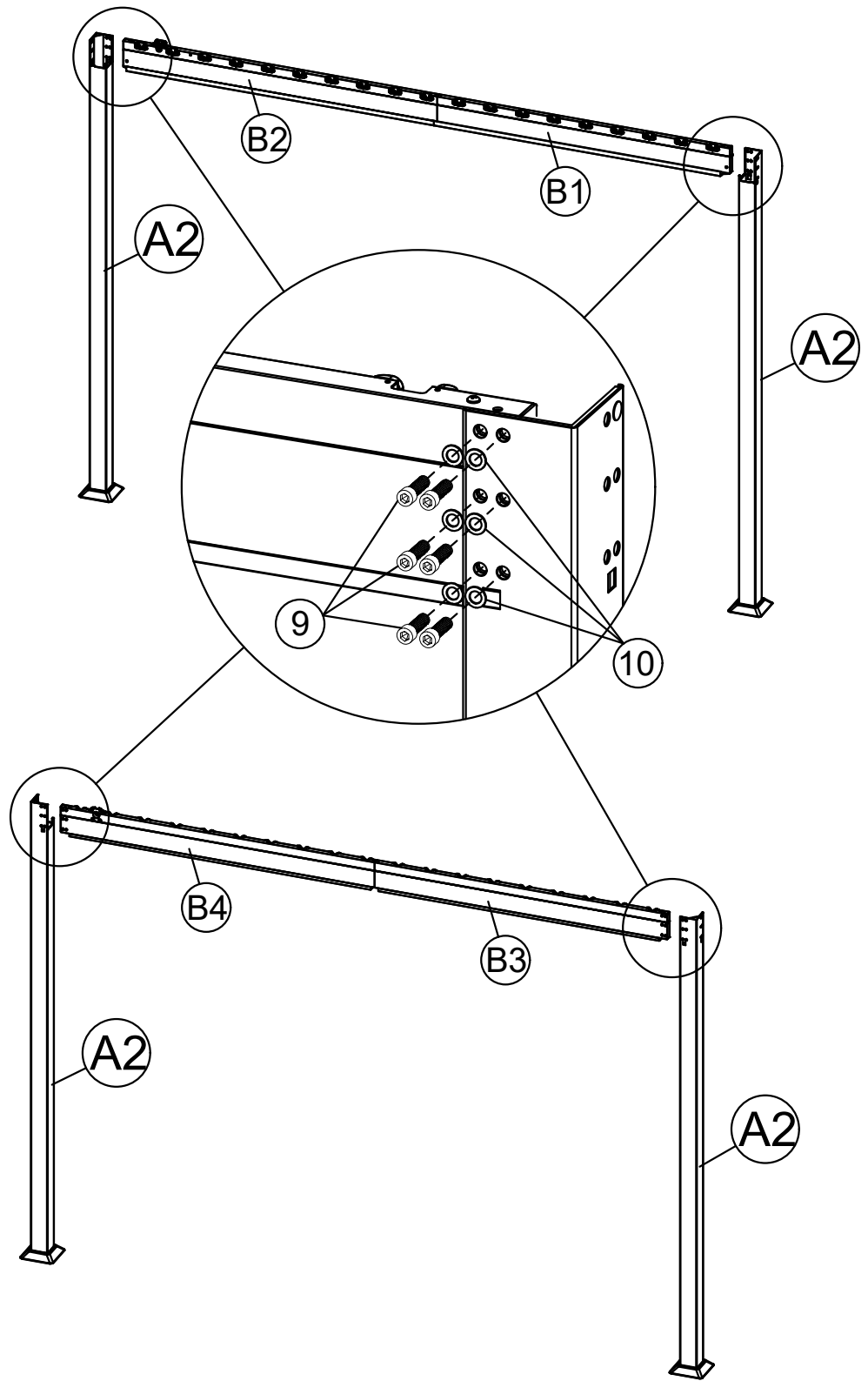
M8x25

9 24x

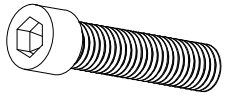


10 24x

<11>

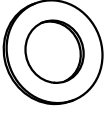


<12>

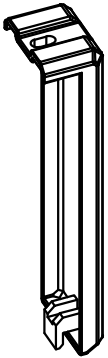


M8x25

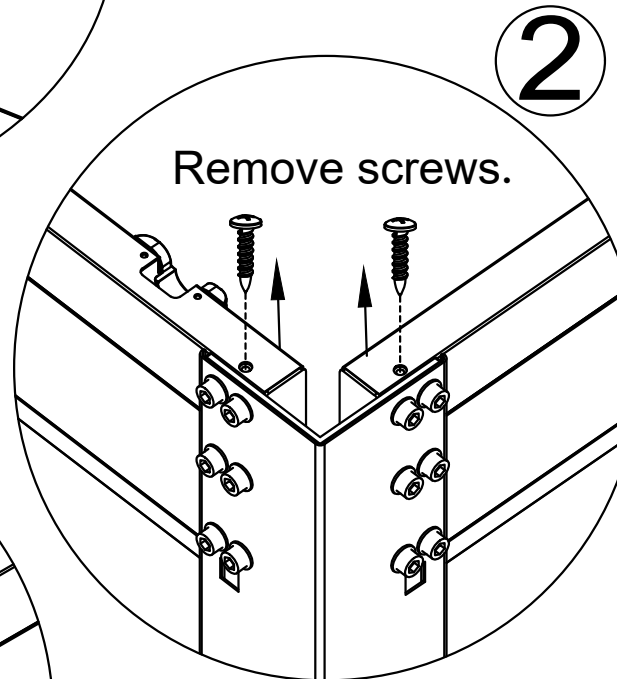
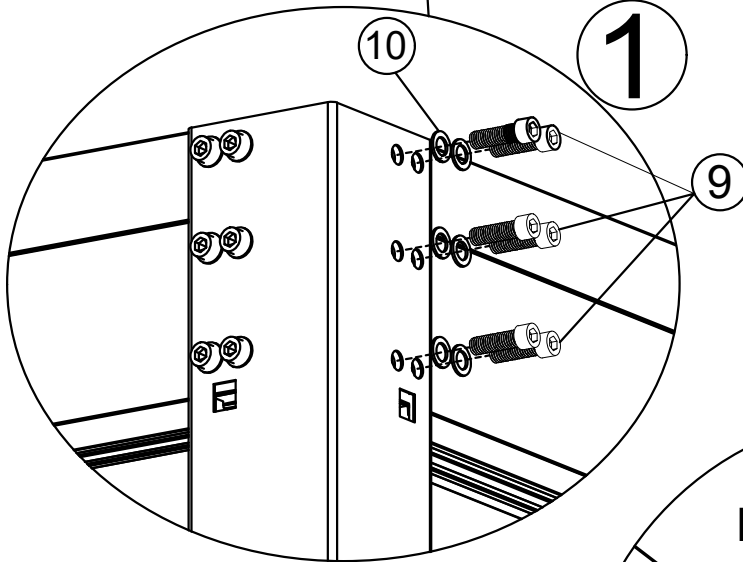
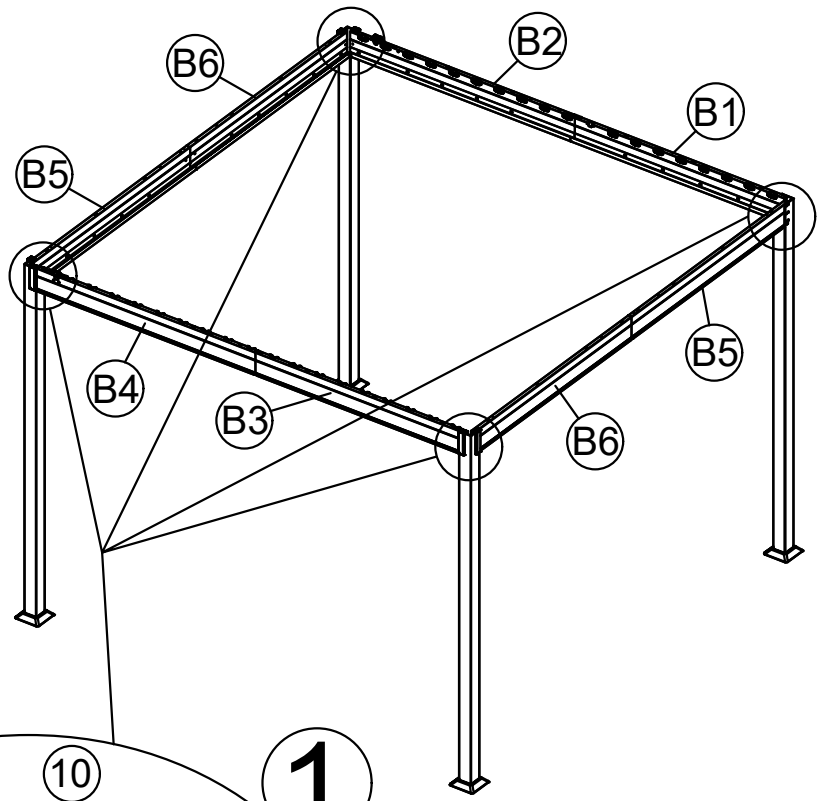
9 24x



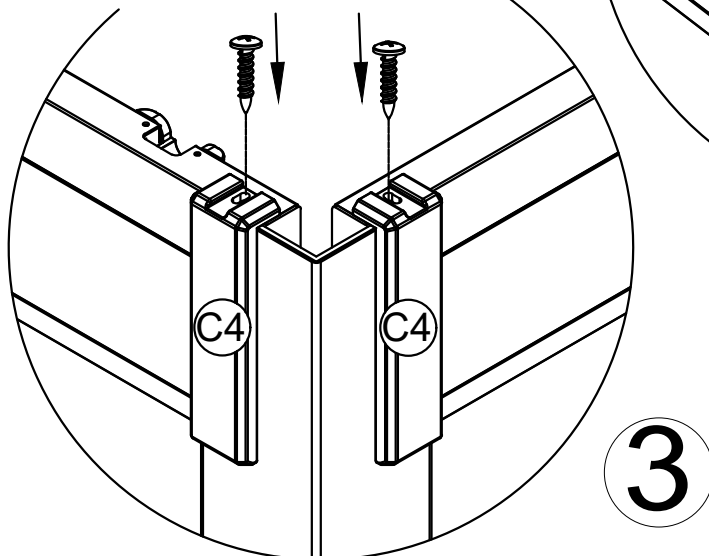
10 24x



C4 8x



Reassemble the screws that were removed.

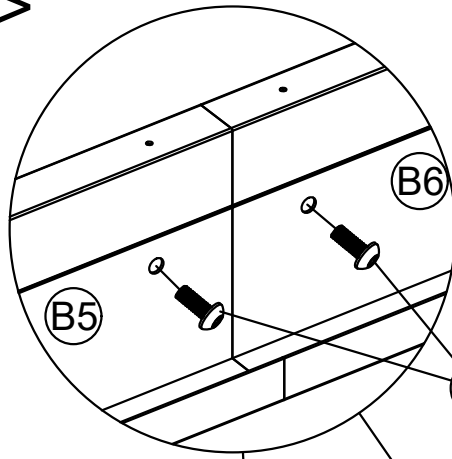




M5x15

<13>

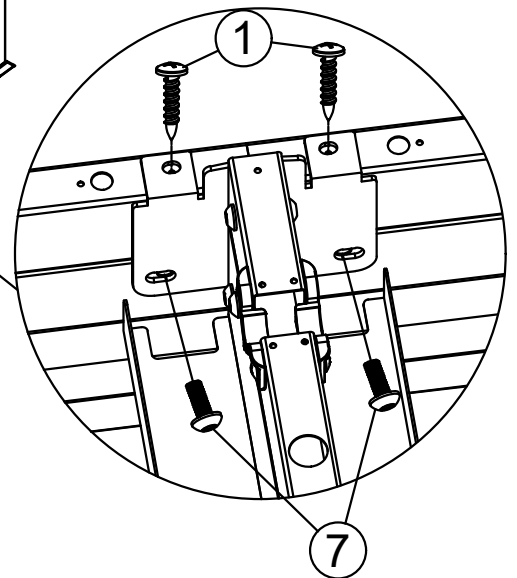
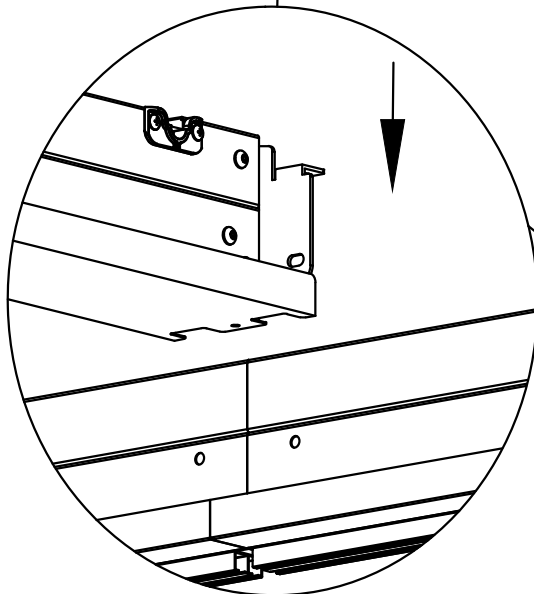
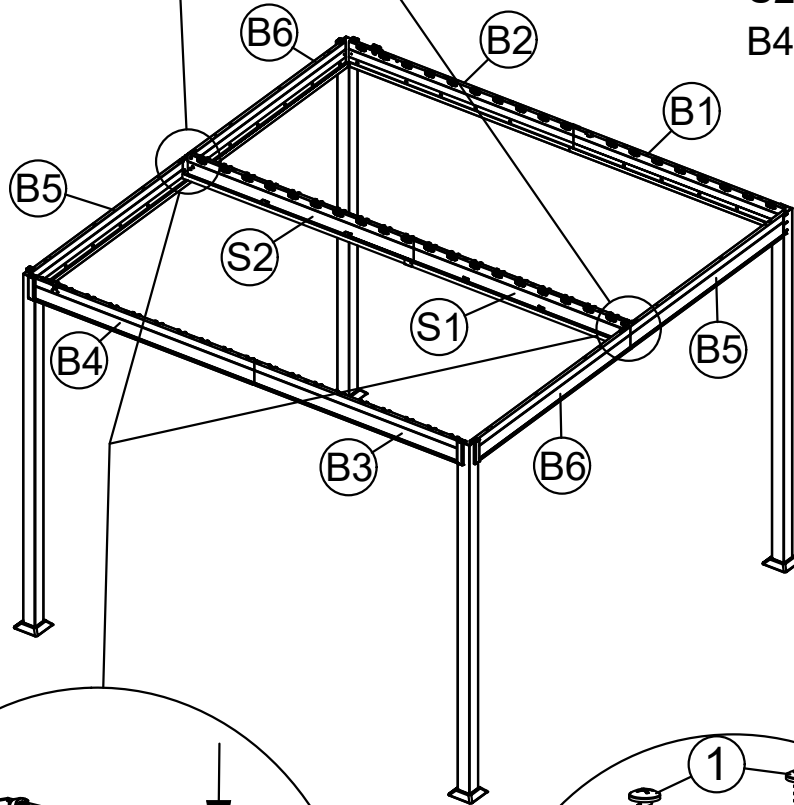
① 4x



Exit screw ⑦

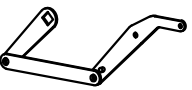

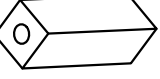
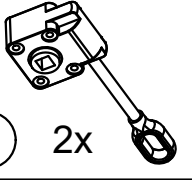
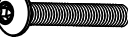

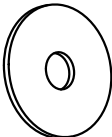


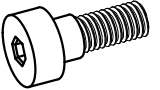
B1 Shorter  
S1 Shorter  
B3 Shorter

B2 Longer  
S2 Longer  
B4 Longer

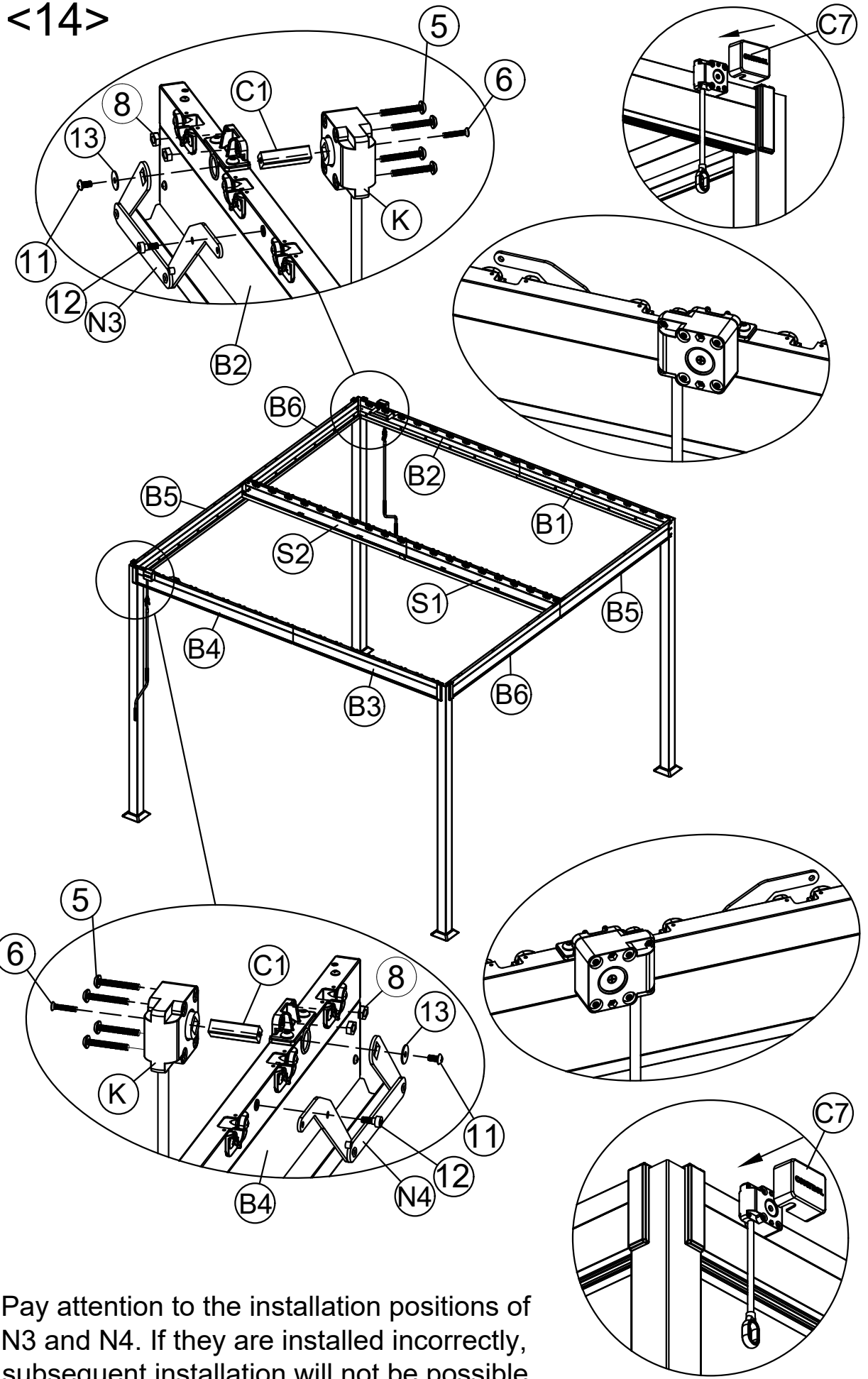


Shorter ones (S1, B1 & B3) are on the same side, while the longer ones (S2, B2 & B4) at the other side. If the installation direction is incorrect, the cover plate cannot be installed later.





-  N3 1x
-  N4 1x
-  C1 2x
-  K 2x
-  5 8x M6x40
-  8 4x M6
-  13 2x
-  11 2x M5x10
-  6 2x M5x24
-  12 2x

<14>



Pay attention to the installation positions of N3 and N4. If they are installed incorrectly, subsequent installation will not be possible.

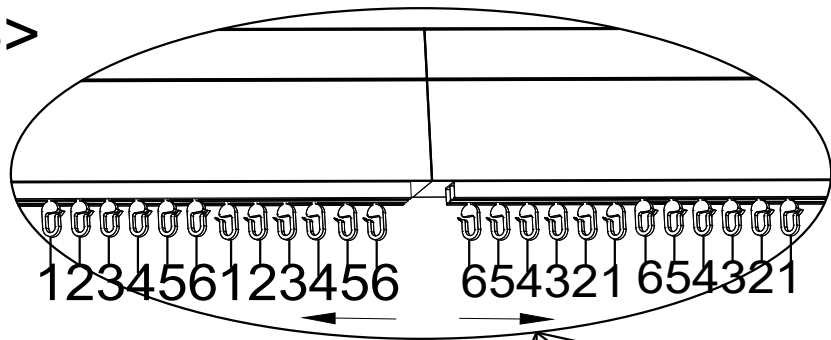
25

-  C7 2x
-  T 2x



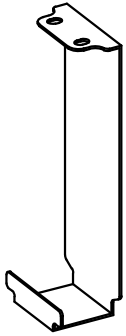
<15>

(M) 96x

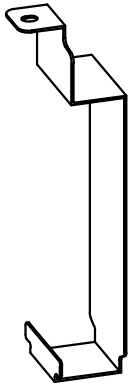


123456123456

654321 654321



(J2) 2x

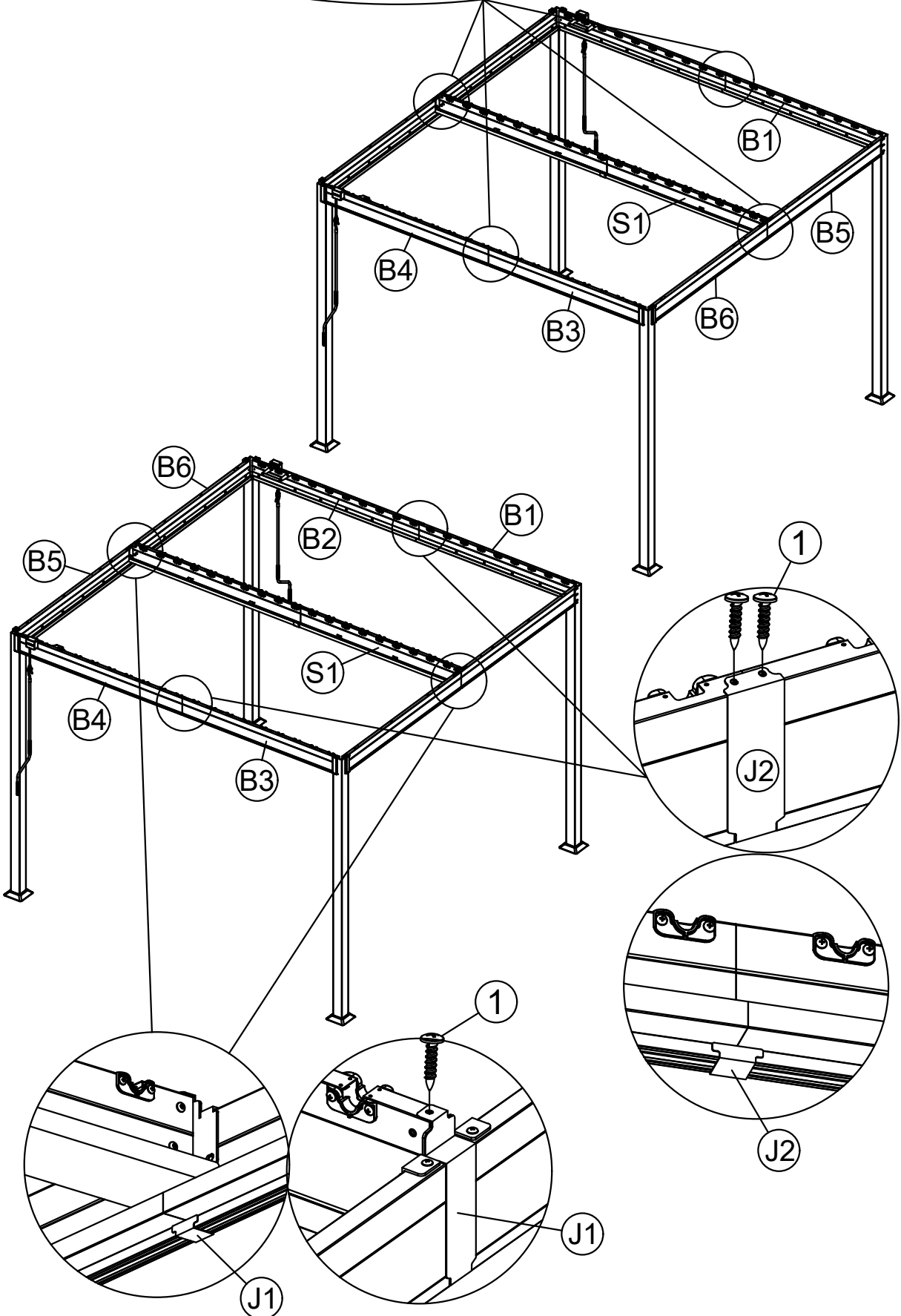


(J1) 2x

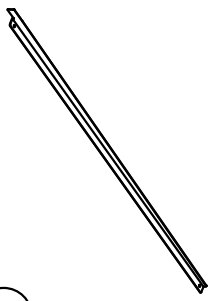


M5x15

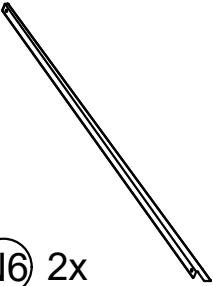
(1) 6x



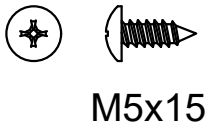
<16>



N5 2x

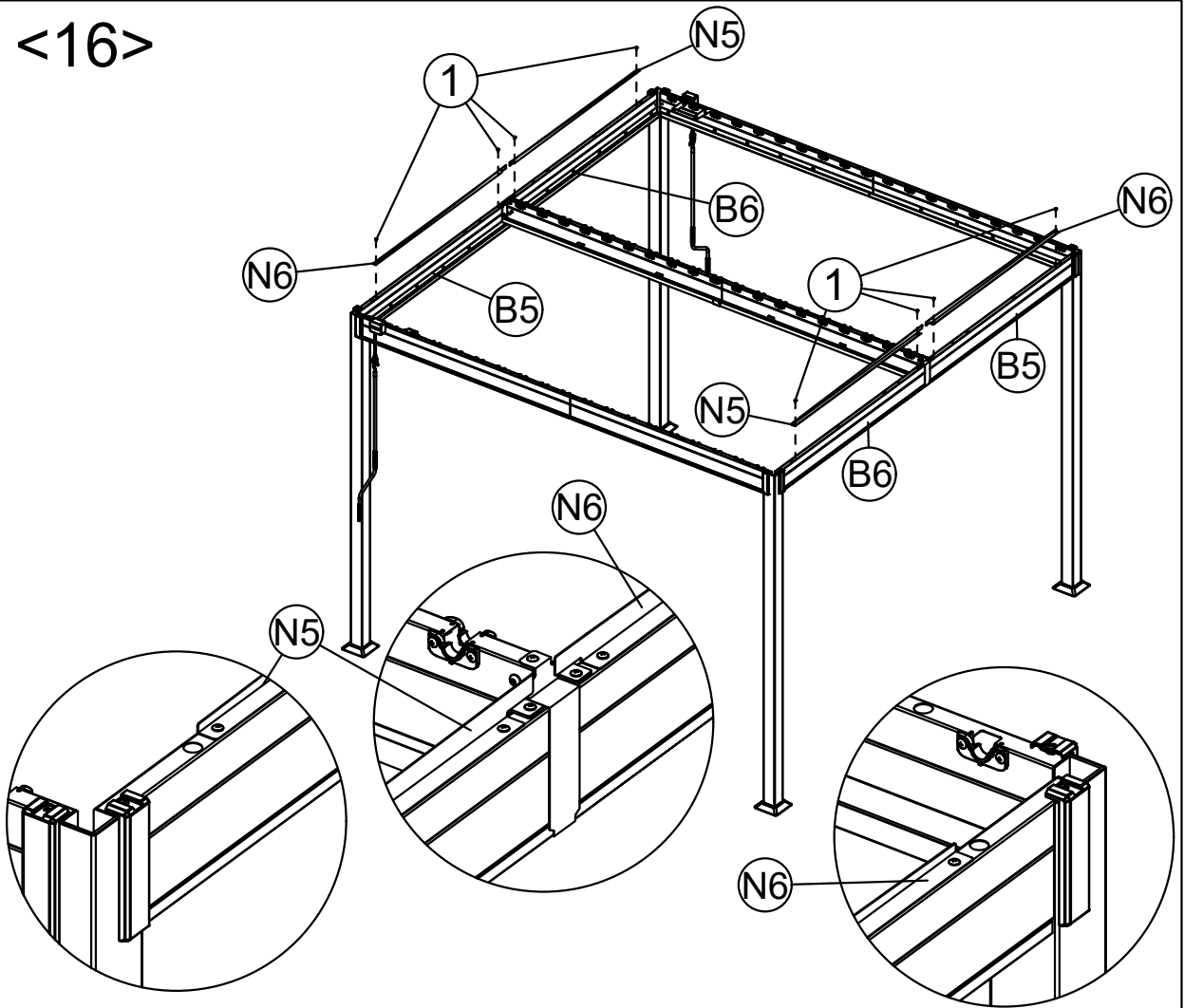


N6 2x

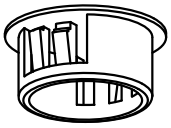


M5x15

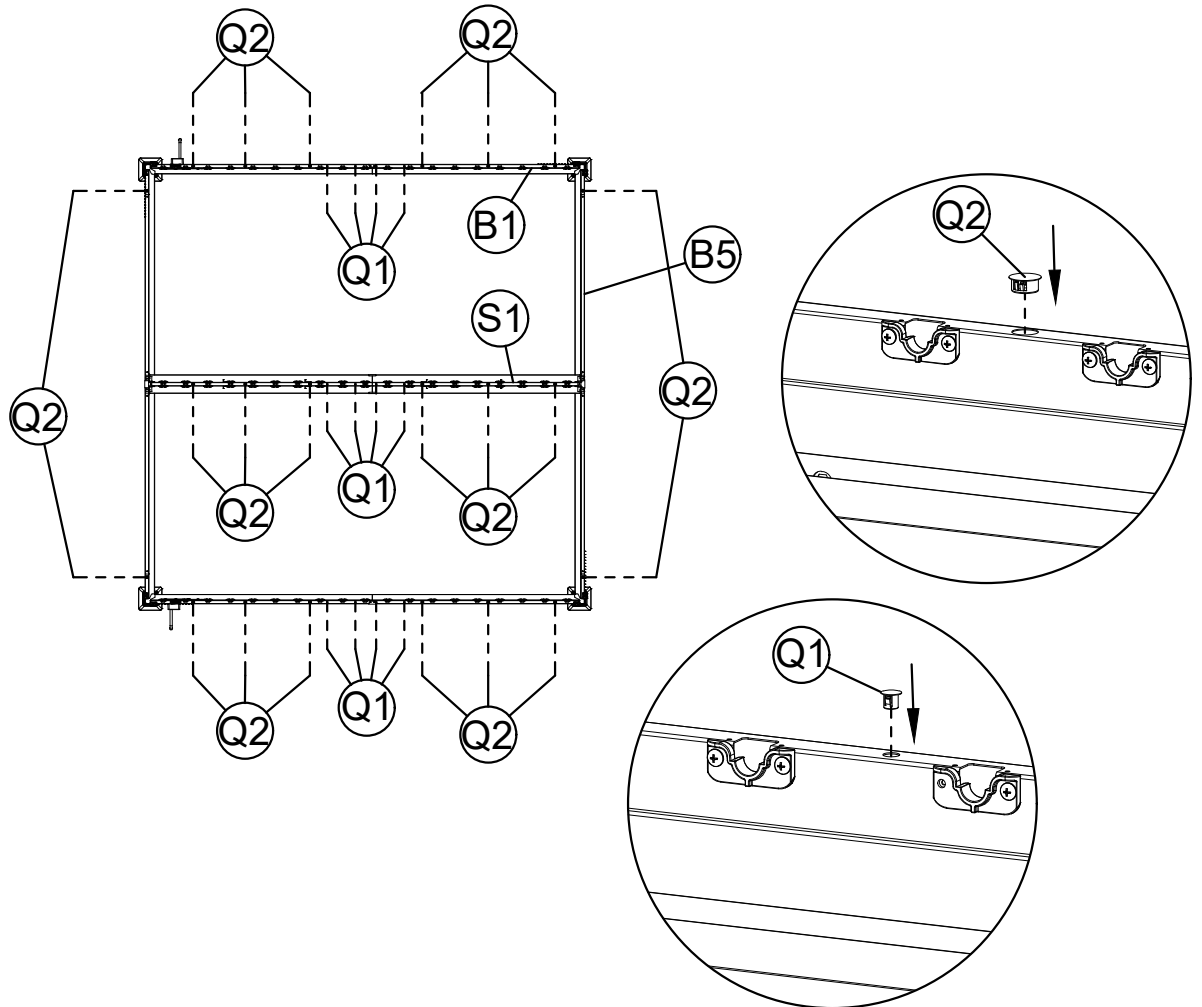
1 8x



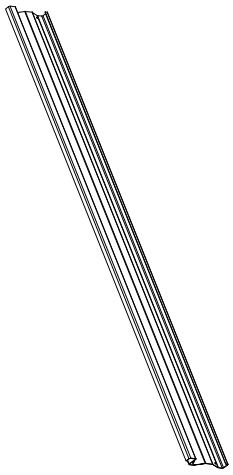
Q1 12x



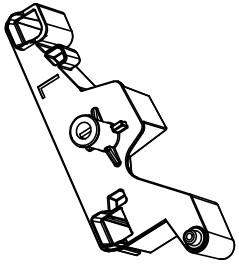
Q2 22x



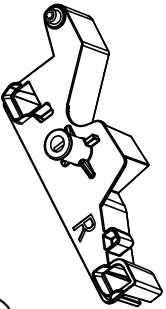
<17>



(F) 38x



(L) 38x

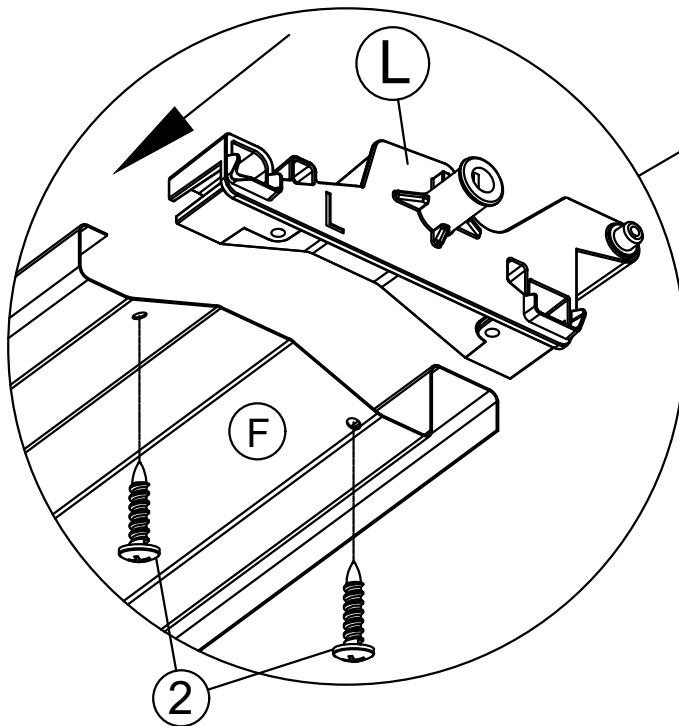
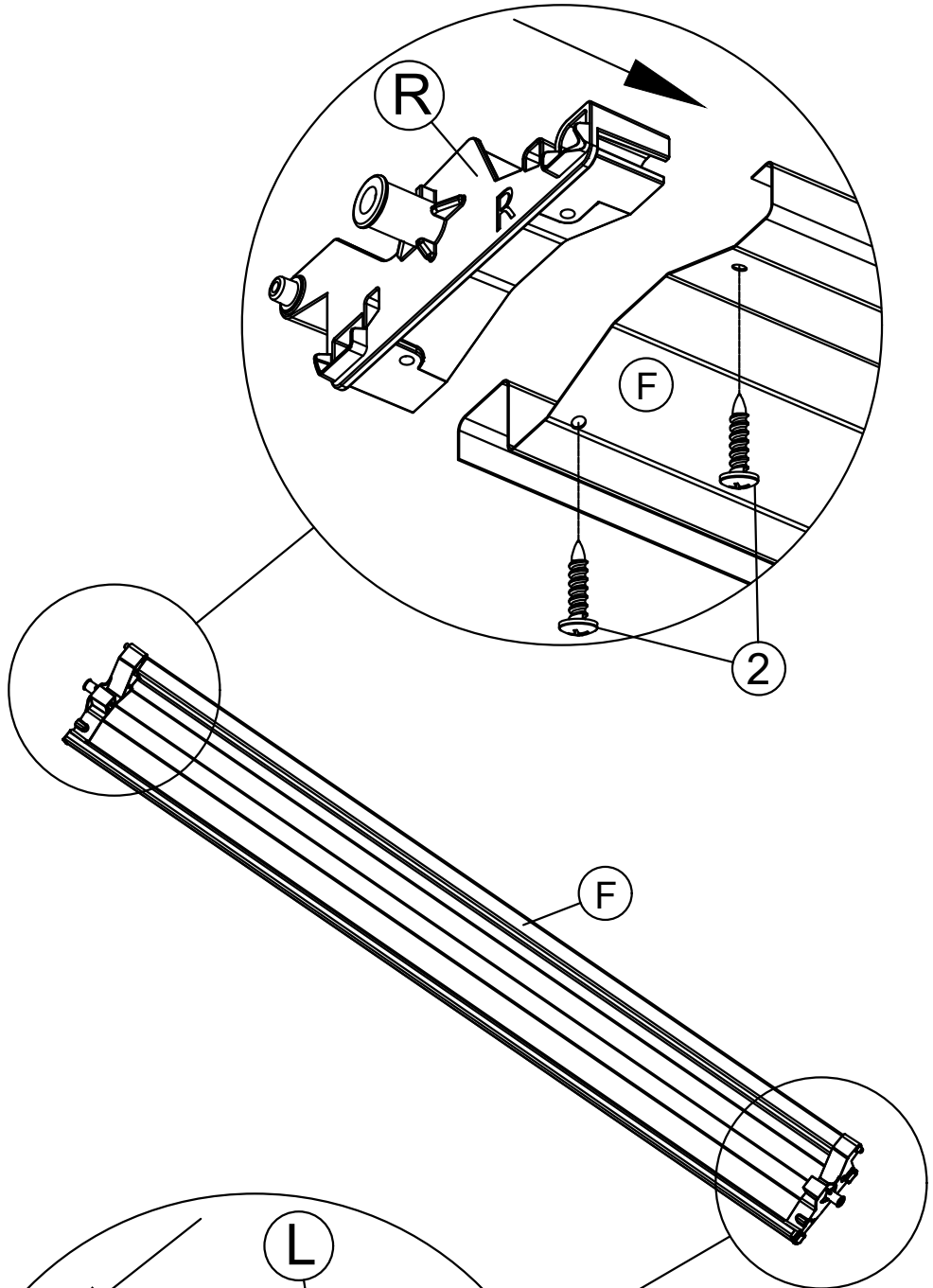


(R) 38x



M4x20

(2) 152x



<18>

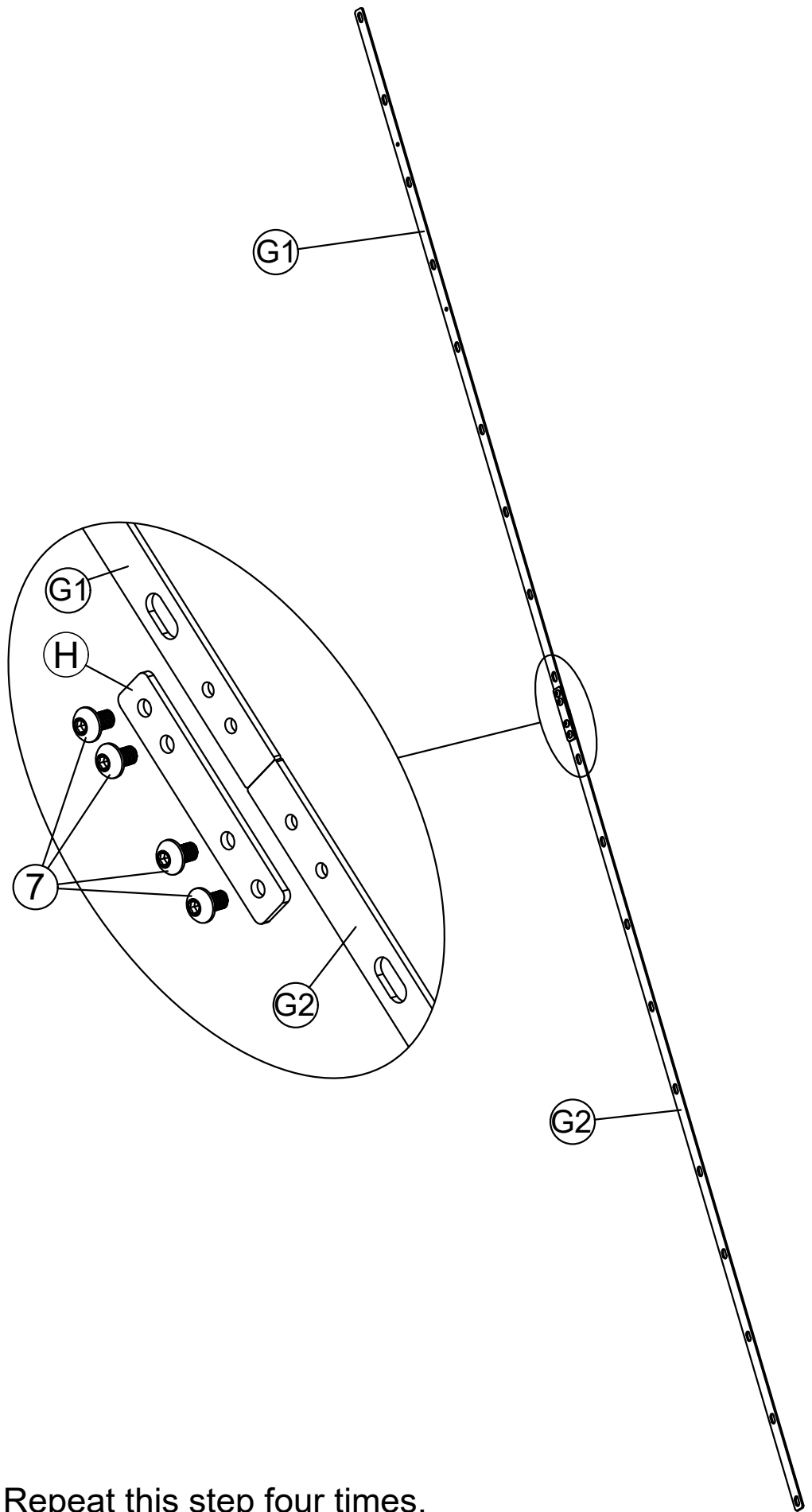
G1 4x

G2 4x

H 4x

7 16x

M6x10

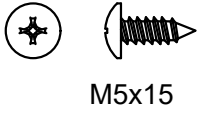


Repeat this step four times.



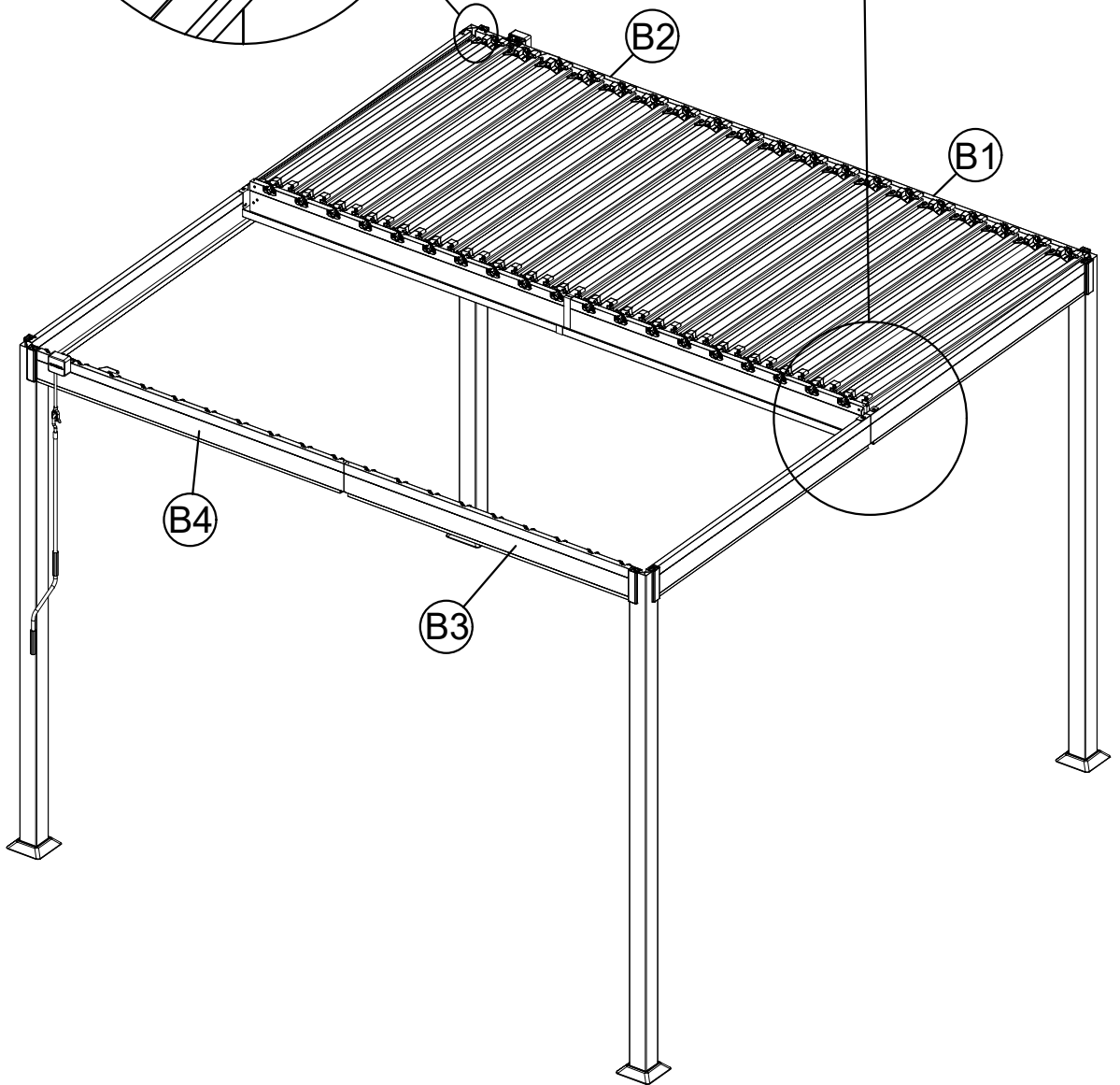
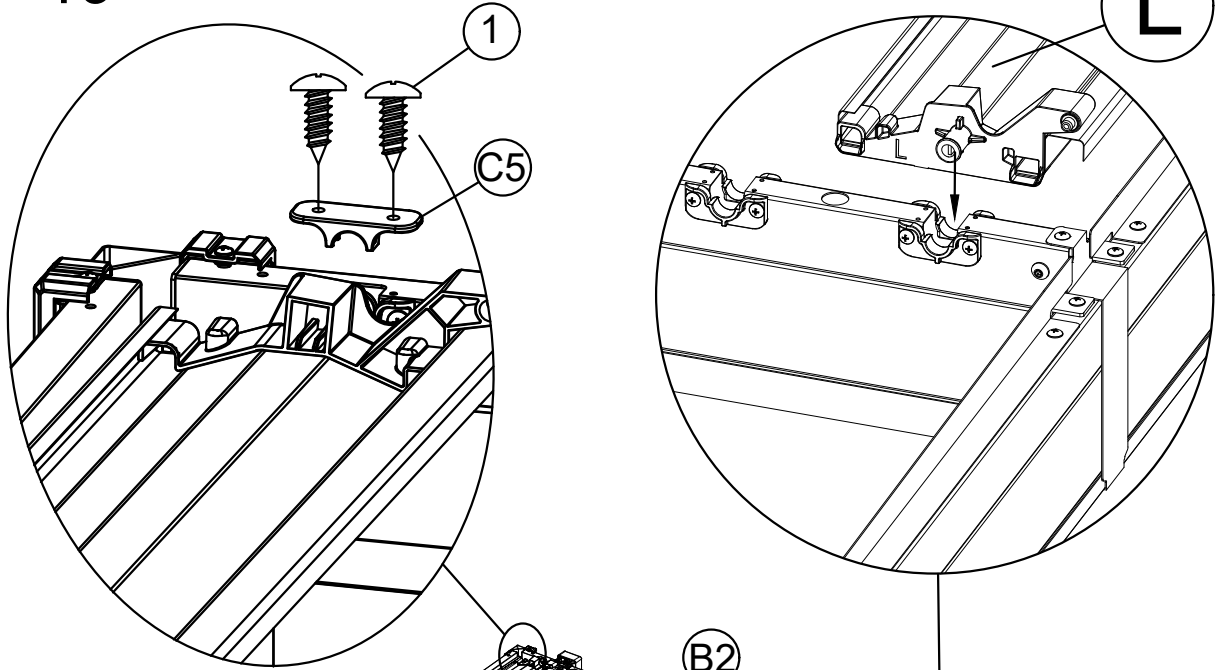
<19>

C5 19x



M5x15

1 38x



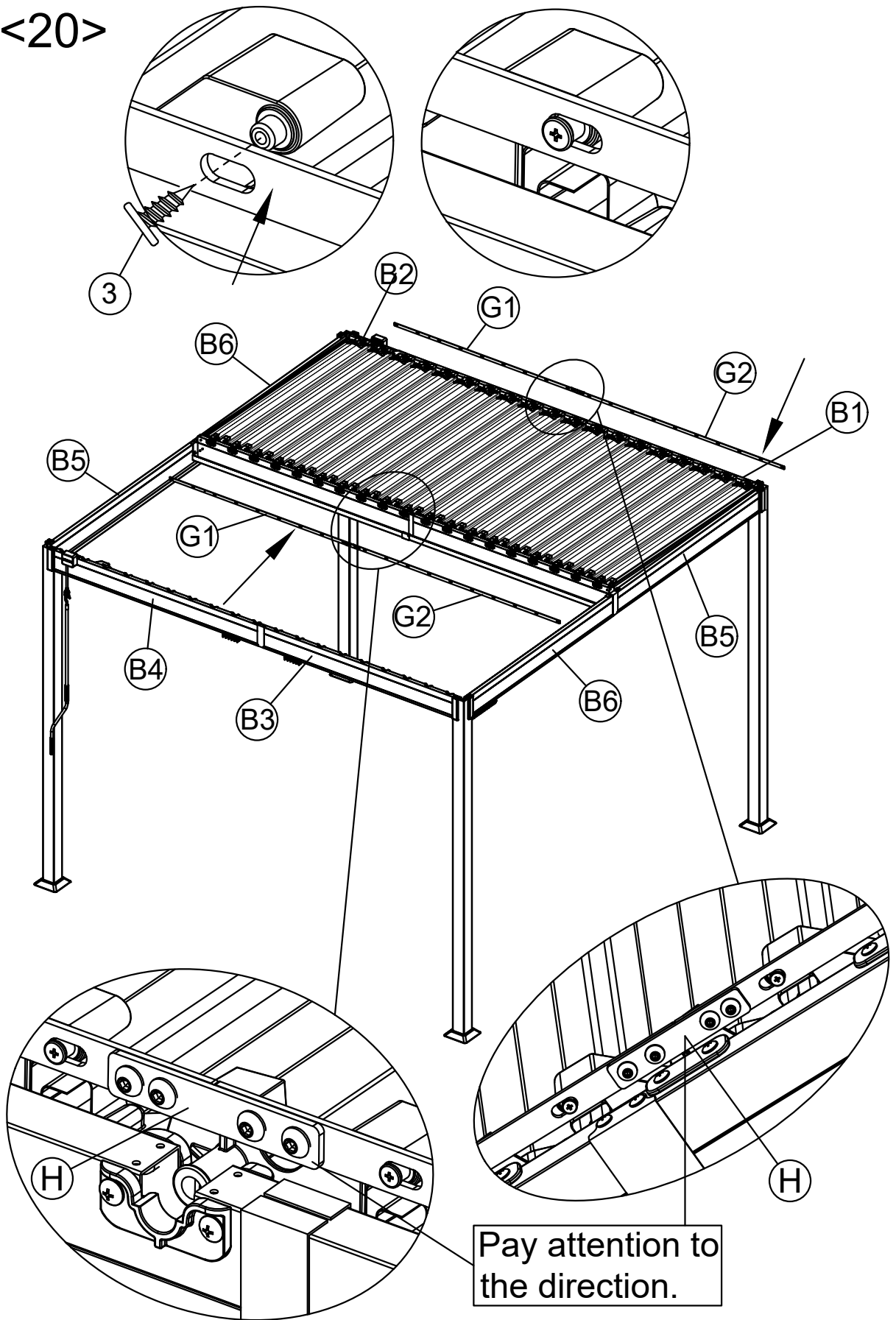
Pay attention to the placement direction. If it is incorrect, the following installation will not be possible.



M4x12

<20>

3 38x



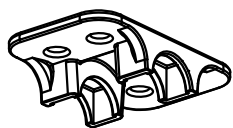
Pay attention to the direction.

Please pay attention to G1 G2 direction. If it is incorrect, the following installation will not be possible.



M4x12

3 2x



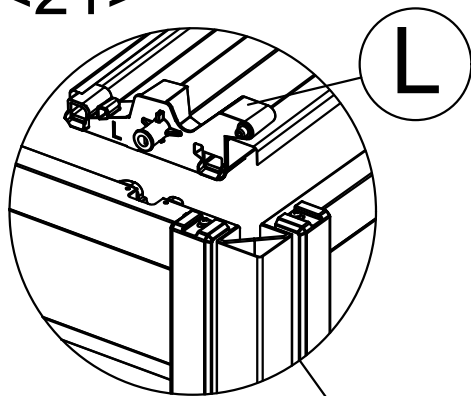
C8 1x



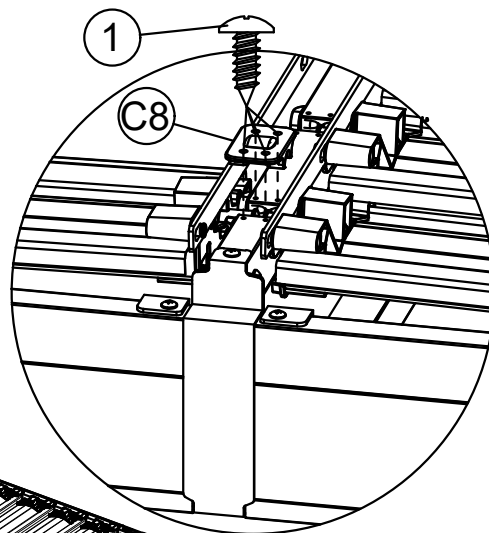
M5x15

1 4x

<21>

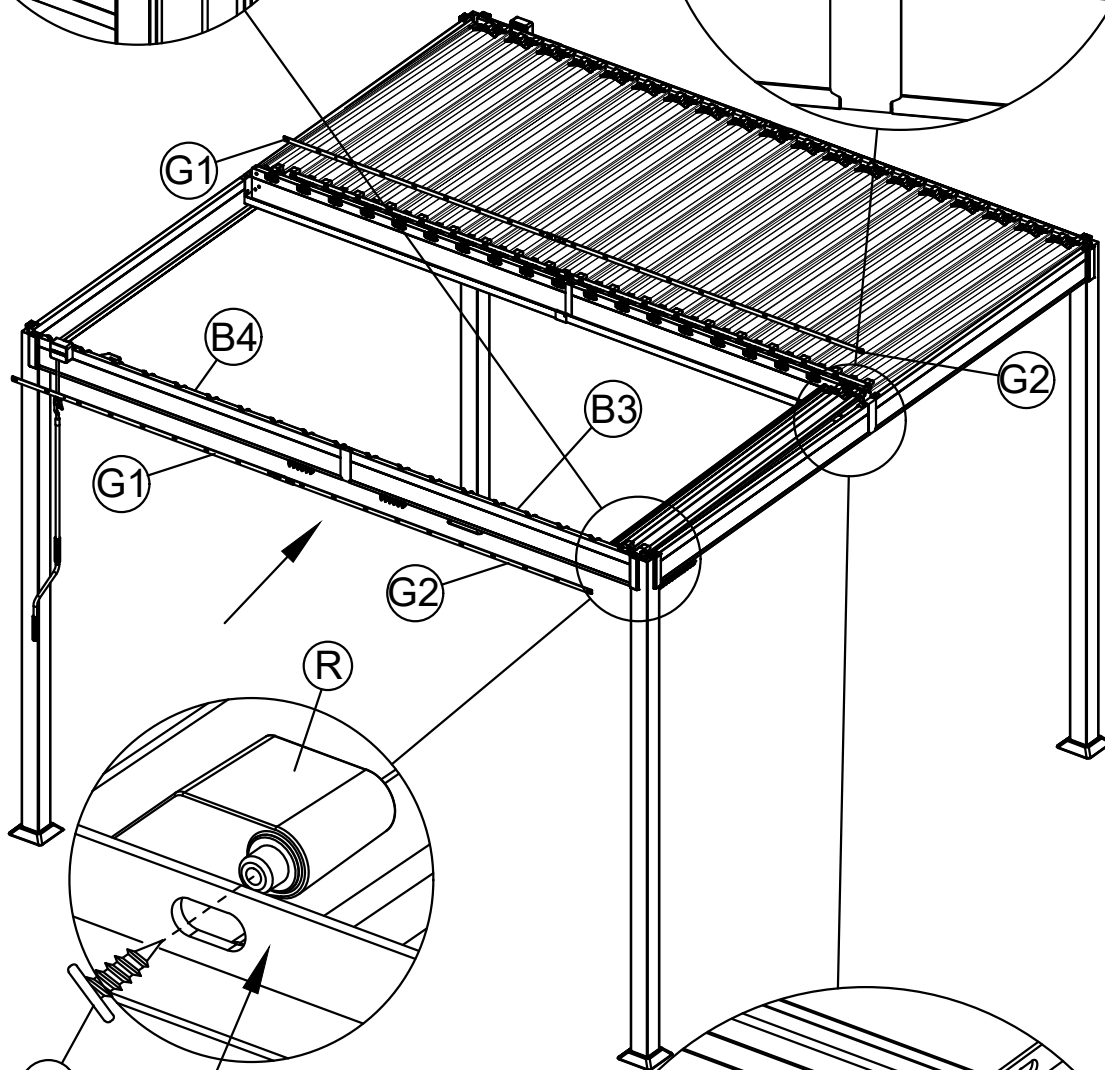


L



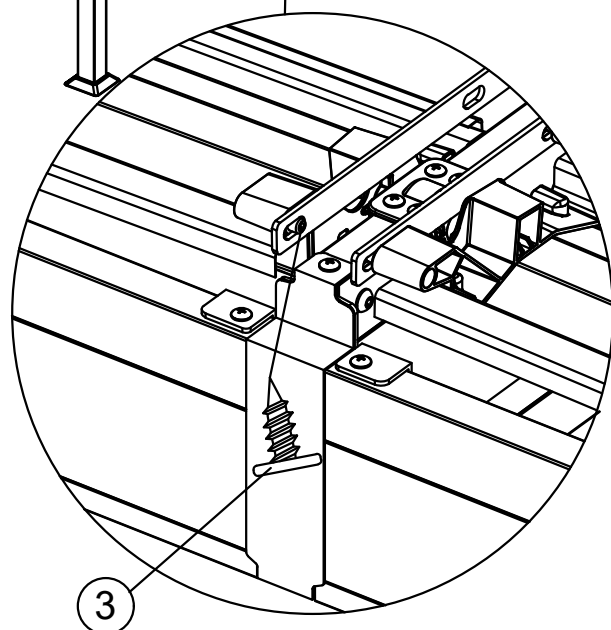
1

C8



3

Please pay attention to G1 G2 direction. If it is incorrect, the following installation will not be possible.

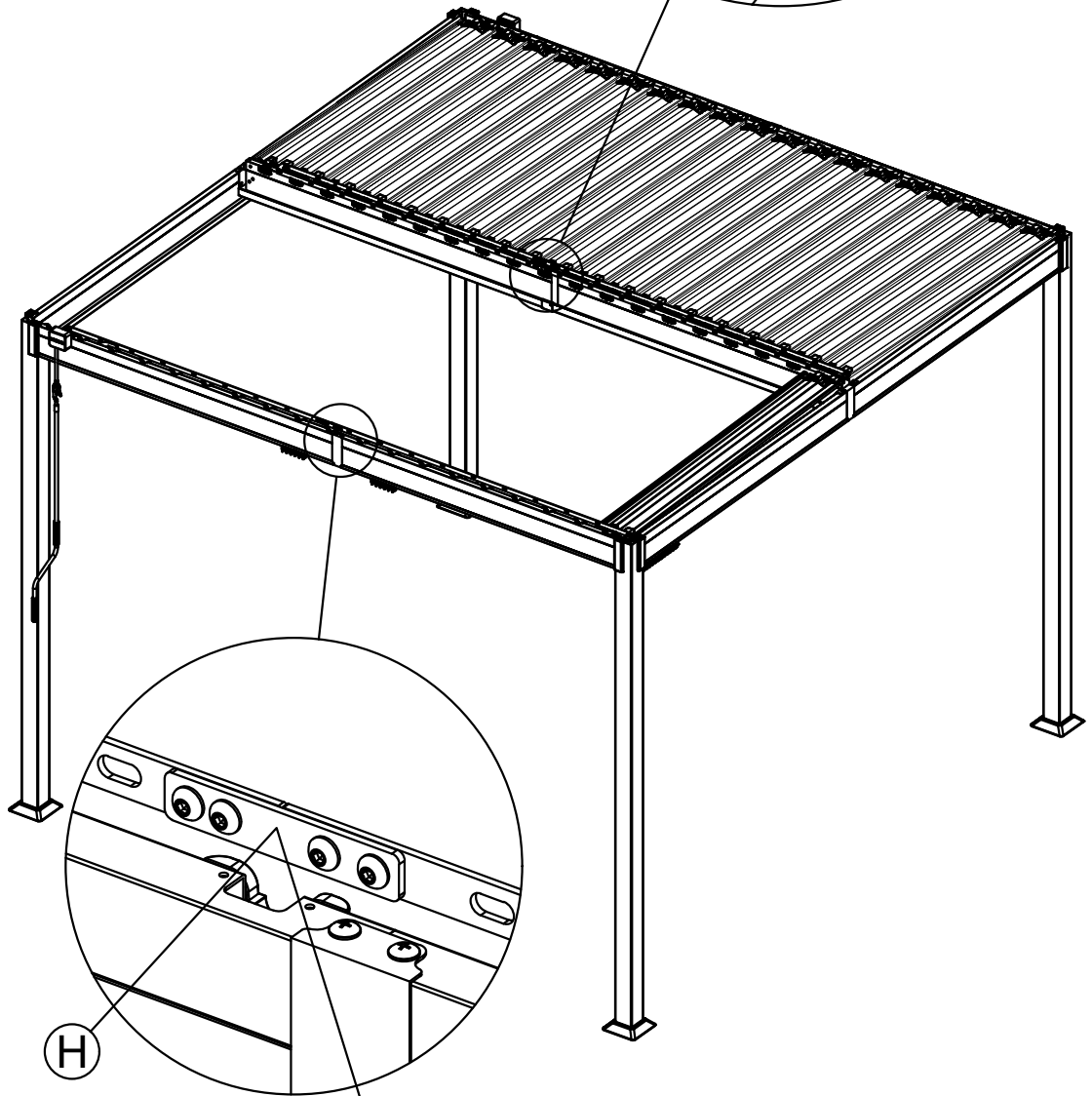
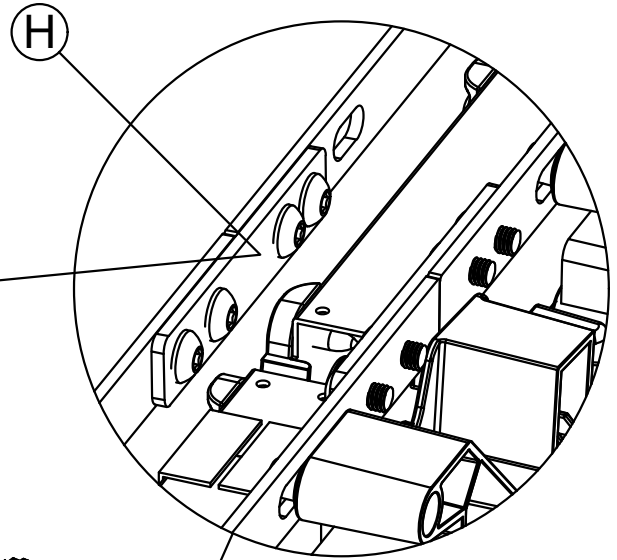


3



<22>

Pay attention to the direction.



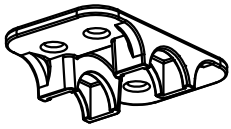
Pay attention to the direction.

<23>



M4x12

3 36x



C8 18x

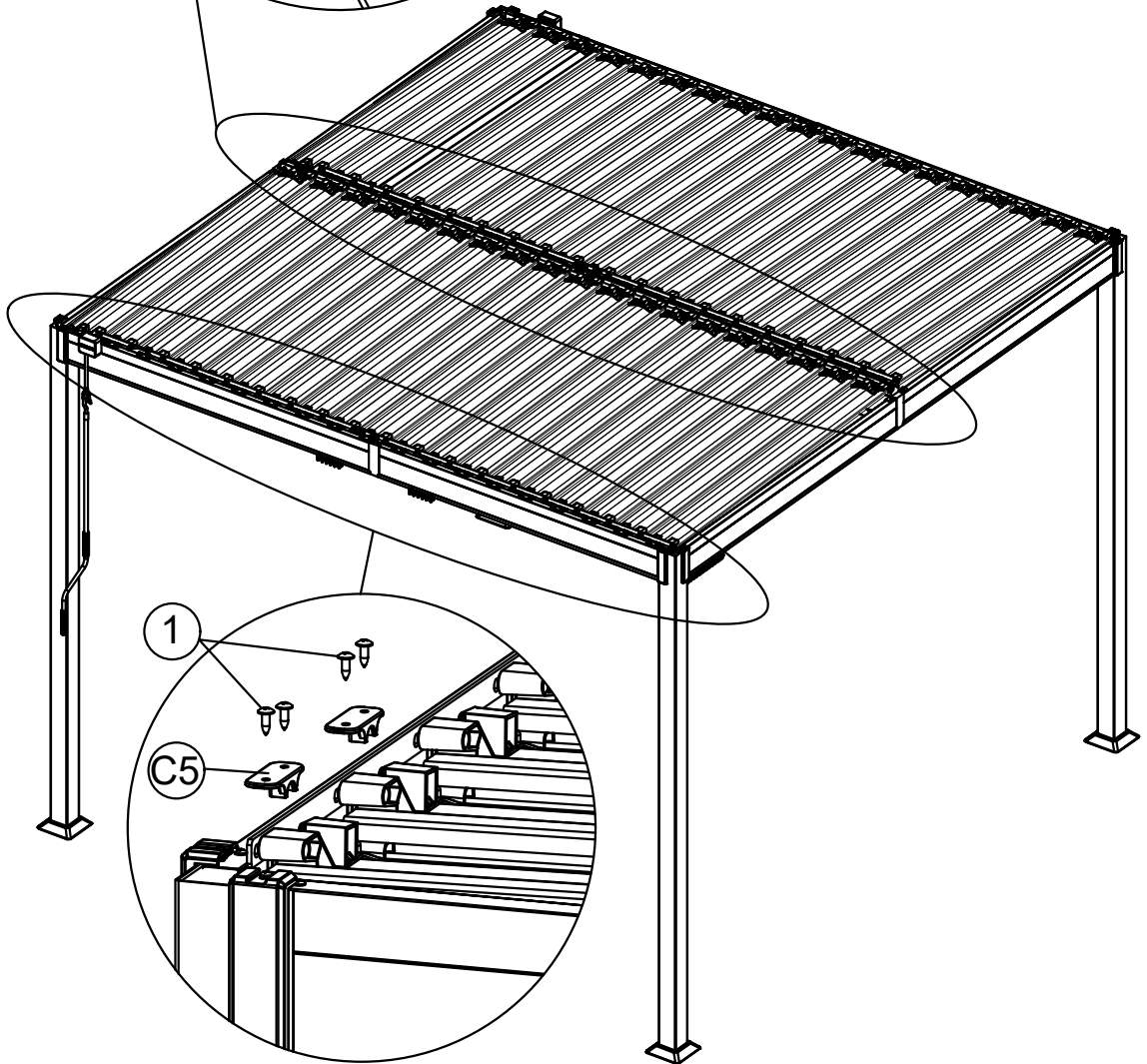
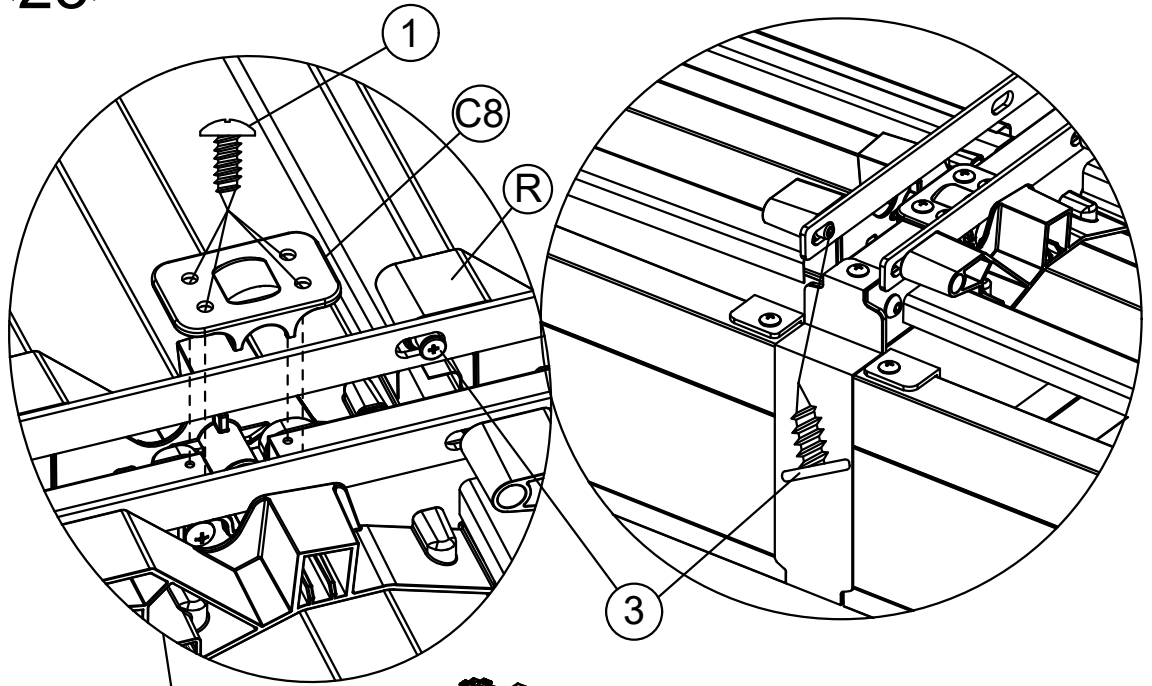


M5x15

1 110x

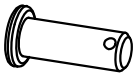


C5 19x

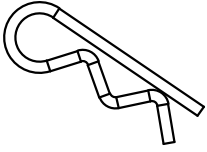


Finish louvers assembly with the same steps.

<24>



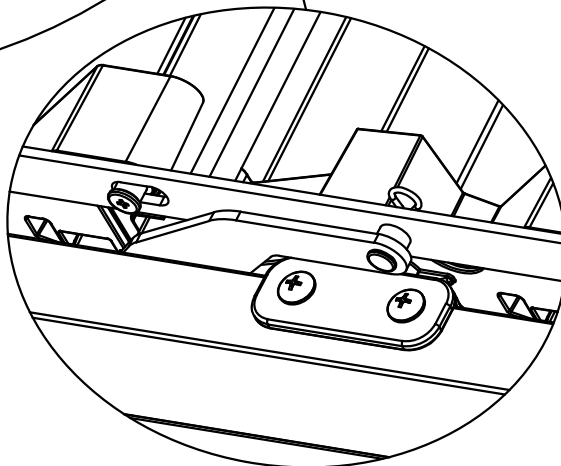
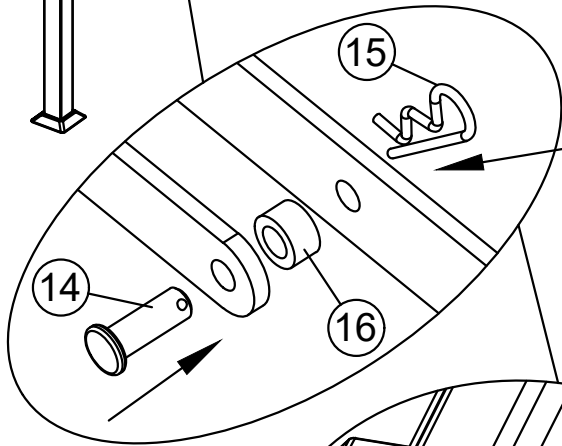
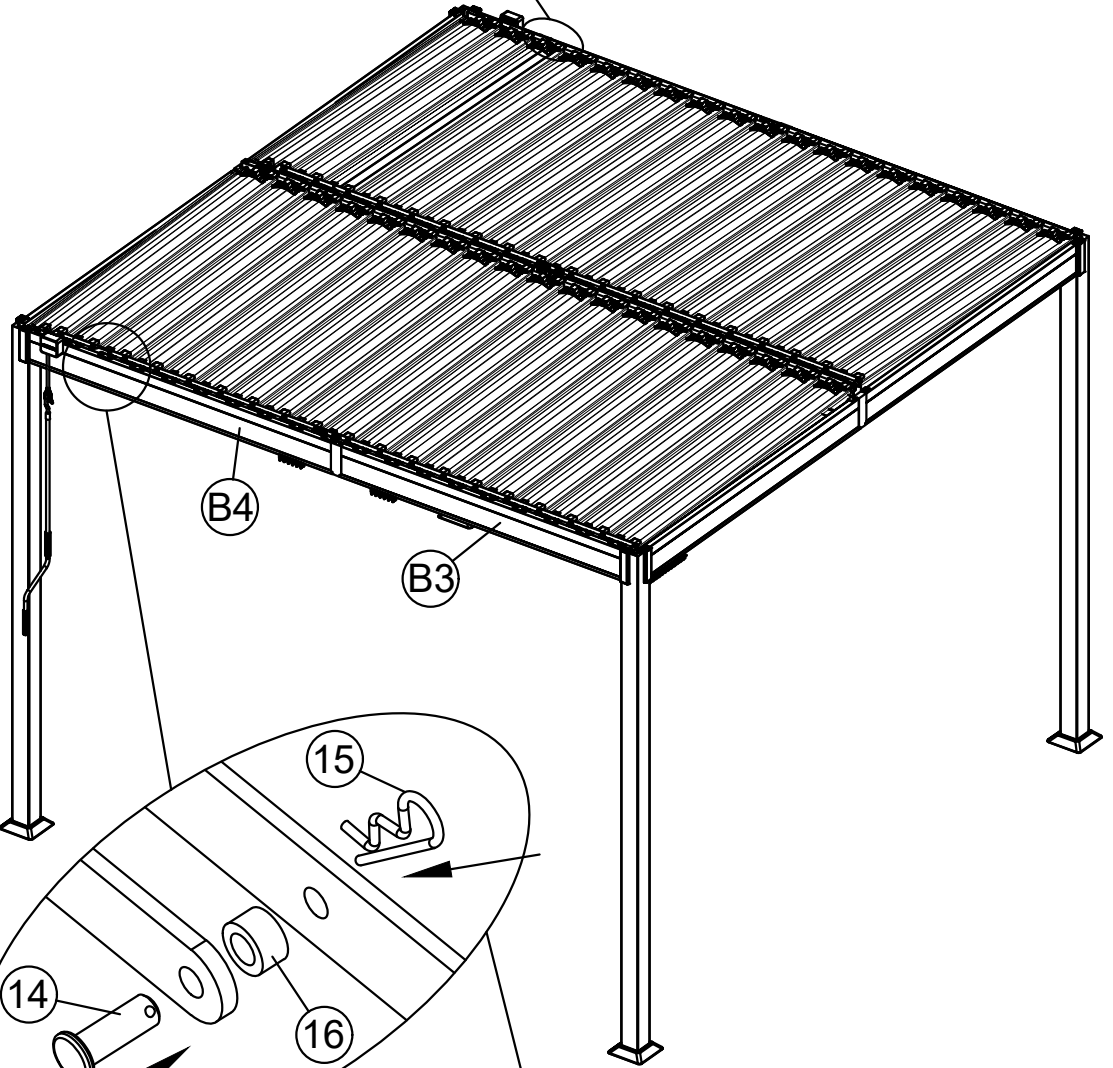
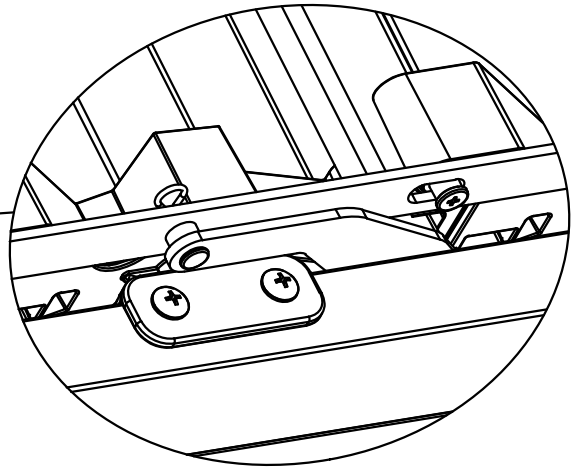
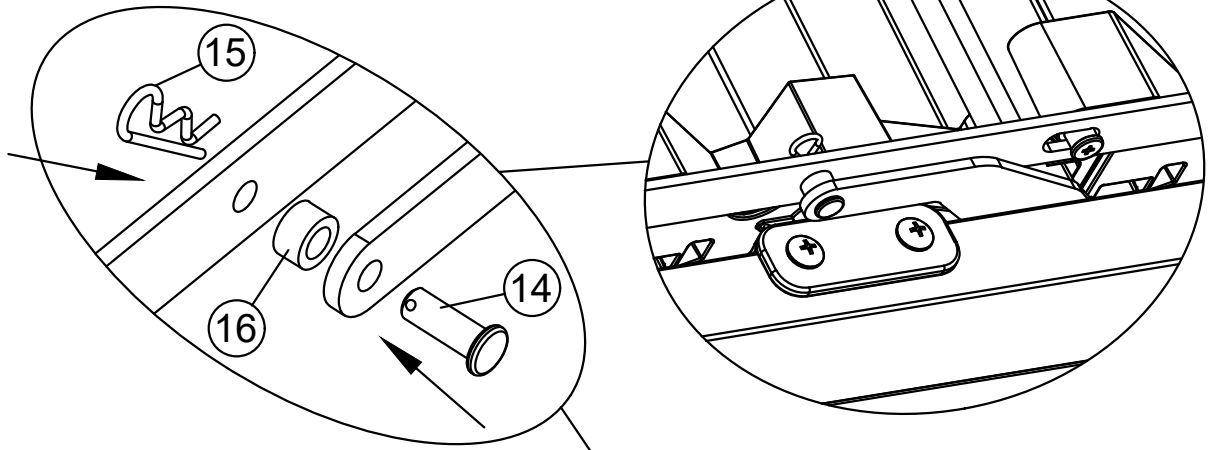
14 2x



15 2x



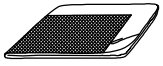
16 2x



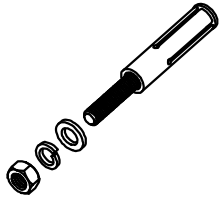


<25>

U1 1x



U2 1x



21 8x

