

ASSEMBLY INSTRUCTIONS





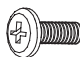

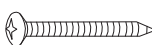




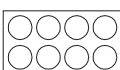

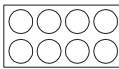



We have designed our furniture with you , the customer in mind . Our clear , easy to follow , step by step instructions will guide you through the project from start to finish . Feel confident that this will be a fun and rewarding project . The final product will be a quality piece of furniture that will go together smoothly and give years of enjoyment .



Please do not return to the store
Broken or missing parts?
Need help with assembly?

This product's warranty is only valid through authorized dealers.

Hardware List

A  6X60mm	B  ø4x40	C  ø8x25	D  80x25x64H
Allen Bolt(12pcs)	Large Screw (6pcs)	Dowel(18pcs)	Metal Leg (1pc)
E  M6X12	F  ø4x25	G  ø5X40	H  ø8X40
Flathead Screw (2pcs)	Small Screw (1pc)	Wall Screw (1pc)	Plastic Anchor (1pc)
I  197x5x1	J  12×12×1	K  ø16	L  ø15
ANTI-TIP Strap (1pc)	Bracket (2pcs)	Foot Pin (3pcs)	Small Sticker (12pcs)
M  ø4x25	N  ø22	O  ø10X15	P  M4
Small Screw (6pcs)	Large Sticker (21pcs)	Barrel Nut(12pcs)	Allen Wrench (1pc)
Q  Glue(1pc)			
<small>Glue: For securing please apply to wood dowel first before inserting into panel</small>			

Please count and verify all parts before assembly.

Panel List



Top (1pc)



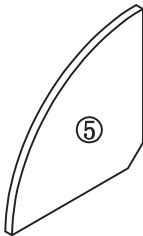
Extra Small Shelf (1pc)



Small Shelf (1pc)



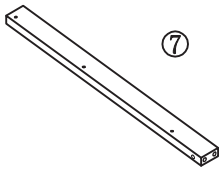
Large Shelf (1pc)



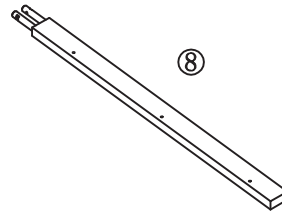
Extra Large Shelf (1pc)



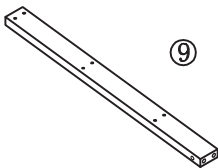
Bottom Panel (1pc)



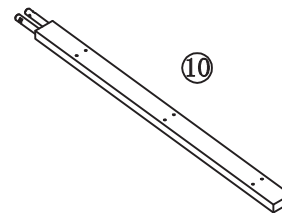
Left Leg-top part(1pc)



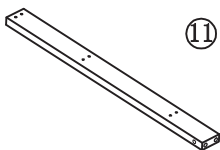
Left Leg-bottom part(1pc)



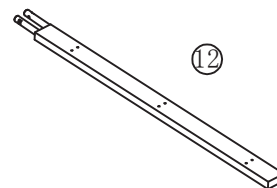
Right leg-top part(1pc)



Right leg-bottom part(1pc)



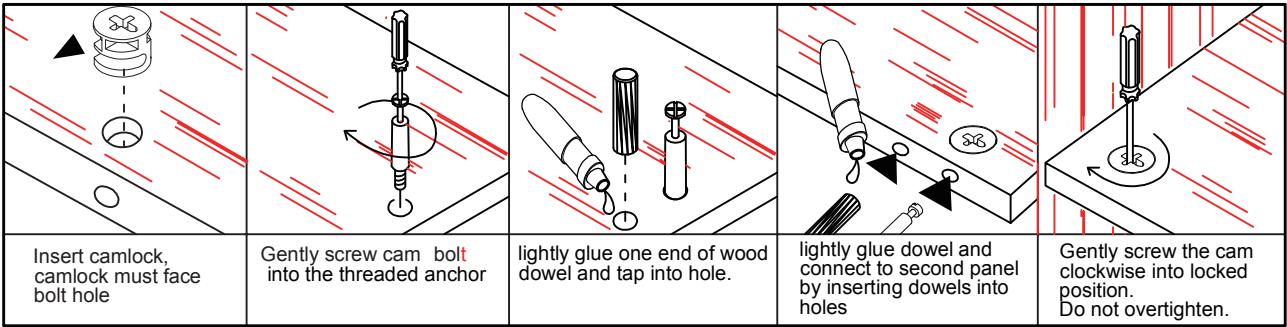
Rear leg-top part(1pc)



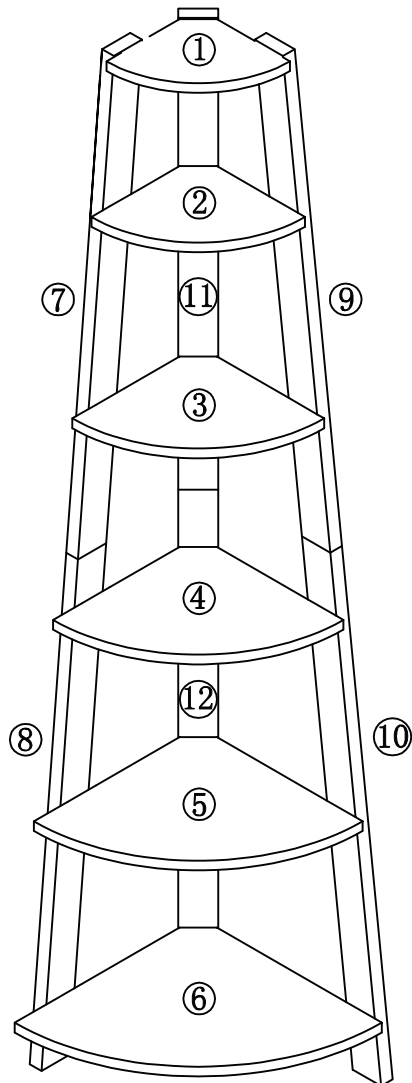
Rear Leg-bottom part(1pc)

Please count and verify all parts before assembly.

Assembling the unit with camlocks and wood dowels.



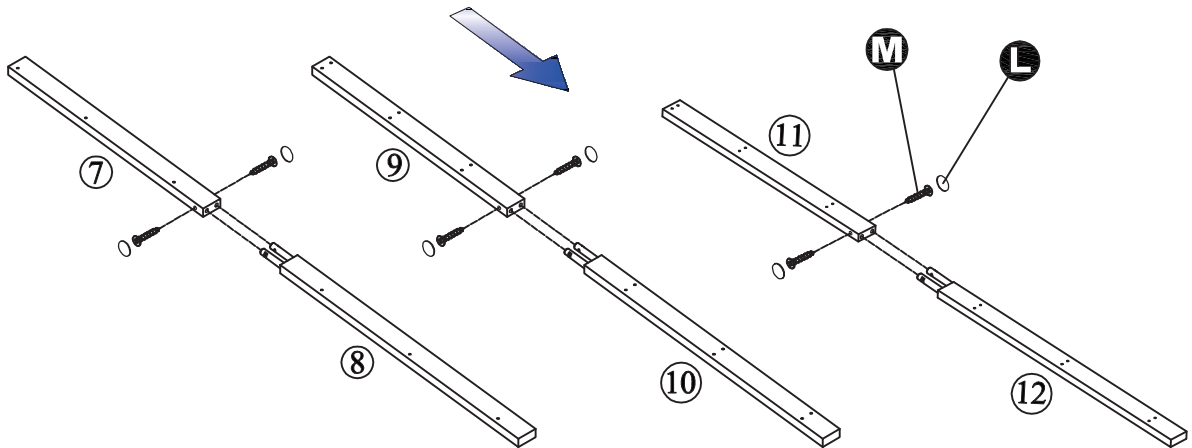
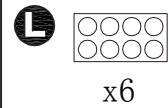
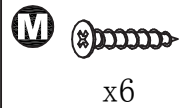
Exploded Views



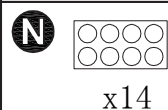
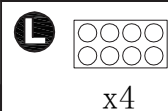
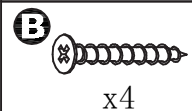
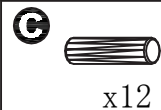
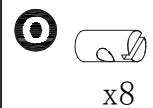
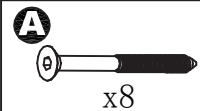
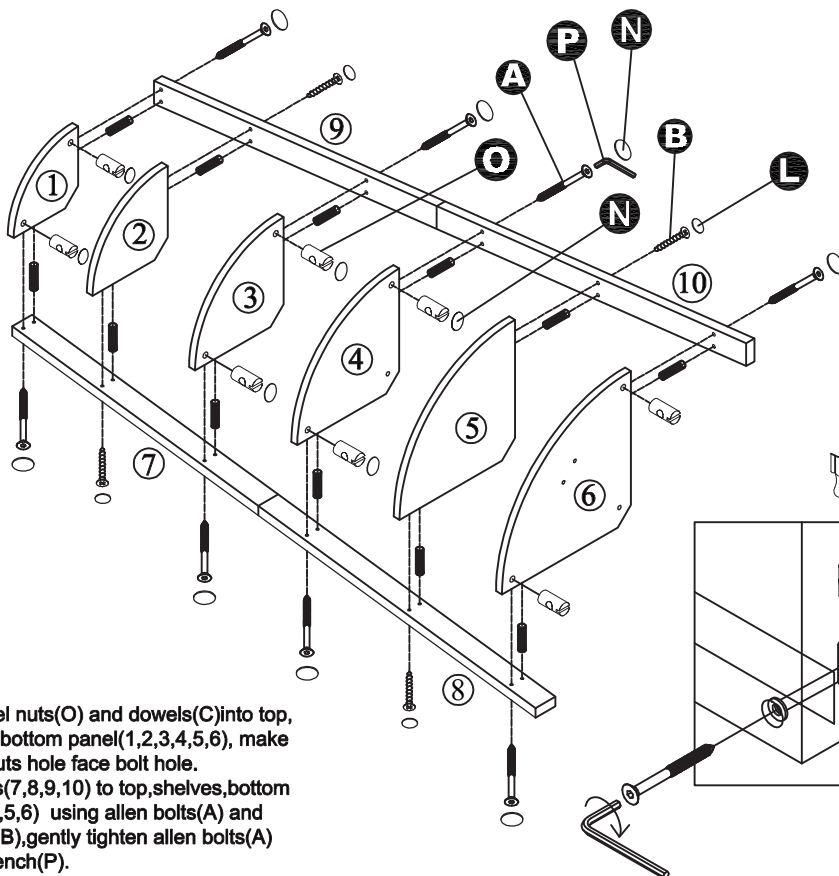
Step 1

Note: * Place item on a smooth/soft surface such as a towel or carpet.

1. Attach left leg parts(7,8) together by using small screws(M) . Place small stickers(L) over holes.
2. Attach right leg parts(9,10) together by using small screws(M) . Place small stickers(L) over holes.
3. Attach rear leg parts(11,12) together by using small screws(M). Place small stickers(L) over holes.

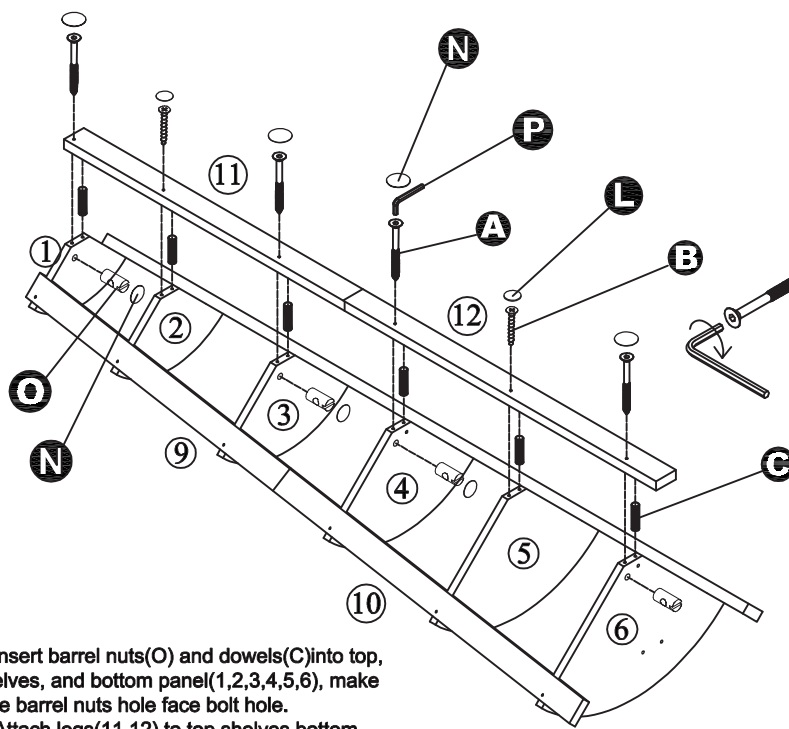


Step 2





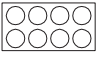
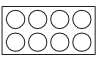



1. Insert barrel nuts(O) and dowels(C) into top, shelves, and bottom panel(1,2,3,4,5,6), make sure barrel nuts hole face bolt hole.
2. Attach legs(7,8,9,10) to top,shelves,bottom panel(1,2,3,4,5,6) using allen bolts(A) and large screws(B),gently tighten allen bolts(A) with allen wrench(P).
3. Place stickers(L,N)over holes.

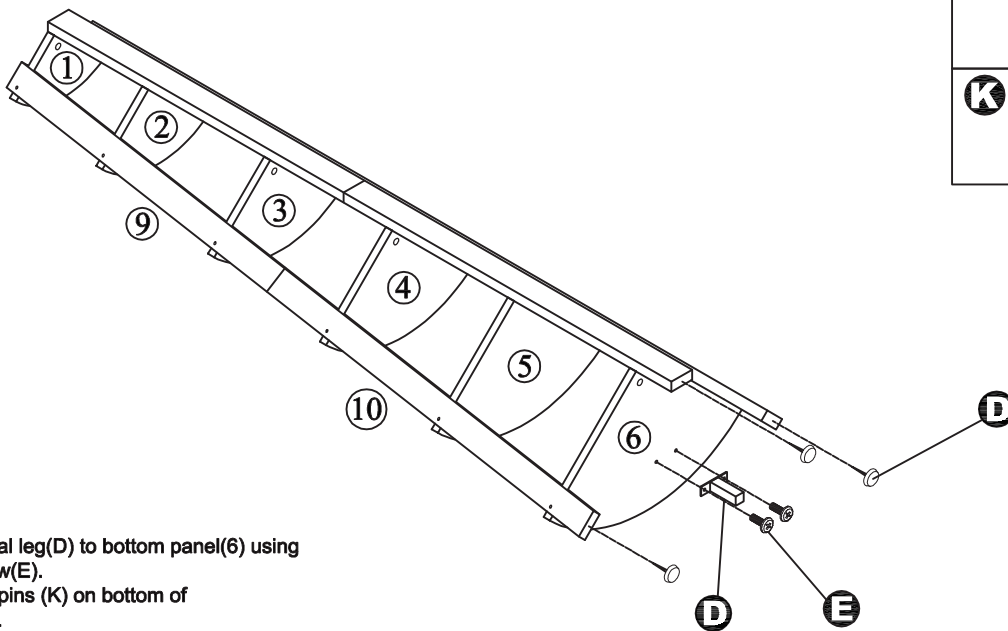
Step3






1. Insert barrel nuts(O) and dowels(C)into top, shelves, and bottom panel(1,2,3,4,5,6), make sure barrel nuts hole face bolt hole.
2. Attach legs(11,12) to top,shelves,bottom panel(1,2,3,4,5,6) using allen bolts(A) and large screws(B),gently tighten allen bolts(A) with allen wrench(P).
3. Place cover sitckers(L,N)over holes.

A		x4
O		x4
C		x6
B		x2
L		x2
N		x7
P		

Step4



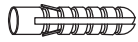
1. Attach metal leg(D) to bottom panel(6) using flathead screw(E).
2. Knock foot pins (K) on bottom of legs(8,10,12).

D		x1
E		x2
K		x3

ANTI-TIPPING STRAP INSTRUCTION

HARDWARE (INCLUDED) :

TOOLS NEEDED (NOT INCLUDED) :



DRYWALL ANCHOR $\phi 8 \times 40$ X 1PC



DRILL & DRILL BIT



METAL BRACKETS $12 \times 12 \times 1$ X 2PCS



LIGHT HAMMER



DRYWALL SCREW $\phi 5 \times 40$ X 1PC



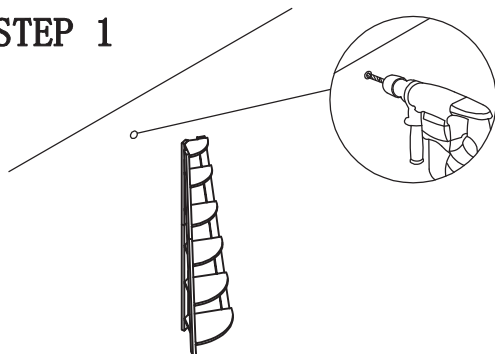
STRAP $197 \times 5 \times 1$ X 1PC



FLATHEAD SCREW $\phi 4 \times 25$ X 1PC

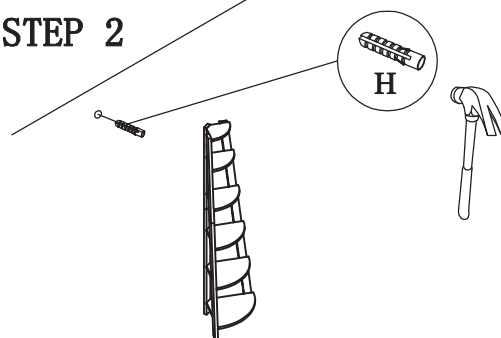
Note: Hardware included only compatible with standard drywalls.

STEP 1



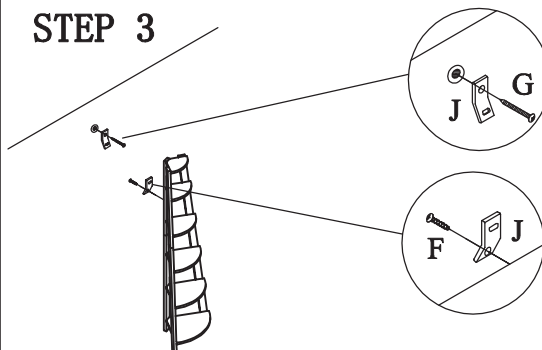
1. Find spot on wall 1" below top of item.
2. Using a drill bit slightly thinner than anchor, drill hole into drywall.

STEP 2



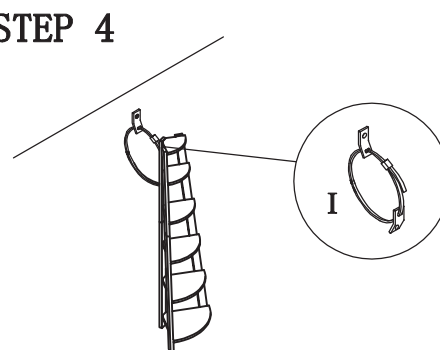
1. Use a light hammer to tap anchor into hole.
2. Anchor should fit snugly. If hole is too small, drill again to increase hole size. Do not force anchor into wall.

STEP 3



1. Insert drywall screw into metal bracket and into drywall anchor.
2. Insert flathead screw into second metal bracket and into back of item along top edge.

STEP 4



1. Insert strap thru bracket attached to wall, then thru bracket on item, and into head of strap.
2. Pull lightly til strap stops. Assembly is complete.