

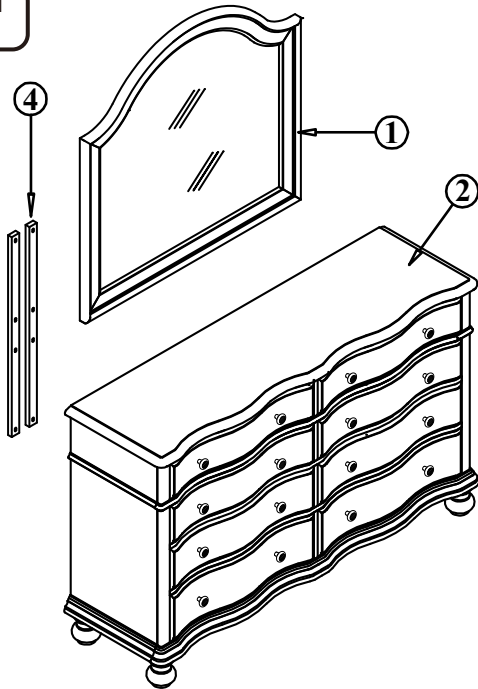
# MIRROR

## Assembly Instruction

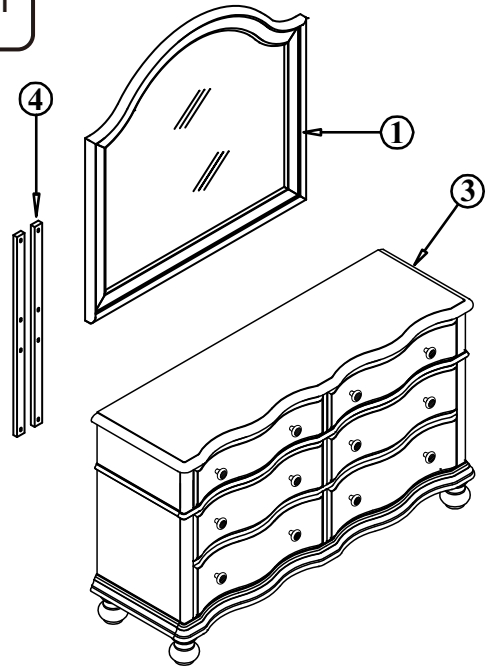
<b>A. Components</b>	<b>: Qty</b>
1. Mirror	: 1 Pc
2. Dresser	: 1 Pc
3. Bureau	: 1 Pc
4. Support Mirror	: 2 Pcs

<b>B. Hardware :</b>	<b>Qty</b>
a. Bolt M6 x 35mm	: 4 Pcs
b. Bolt M6 x 50mm	: 4 Pcs
c. Flat Washer	: 8 Pcs
d. Lock Washer	: 8 Pcs
e. Allen Key 4mm	: 1 Pc

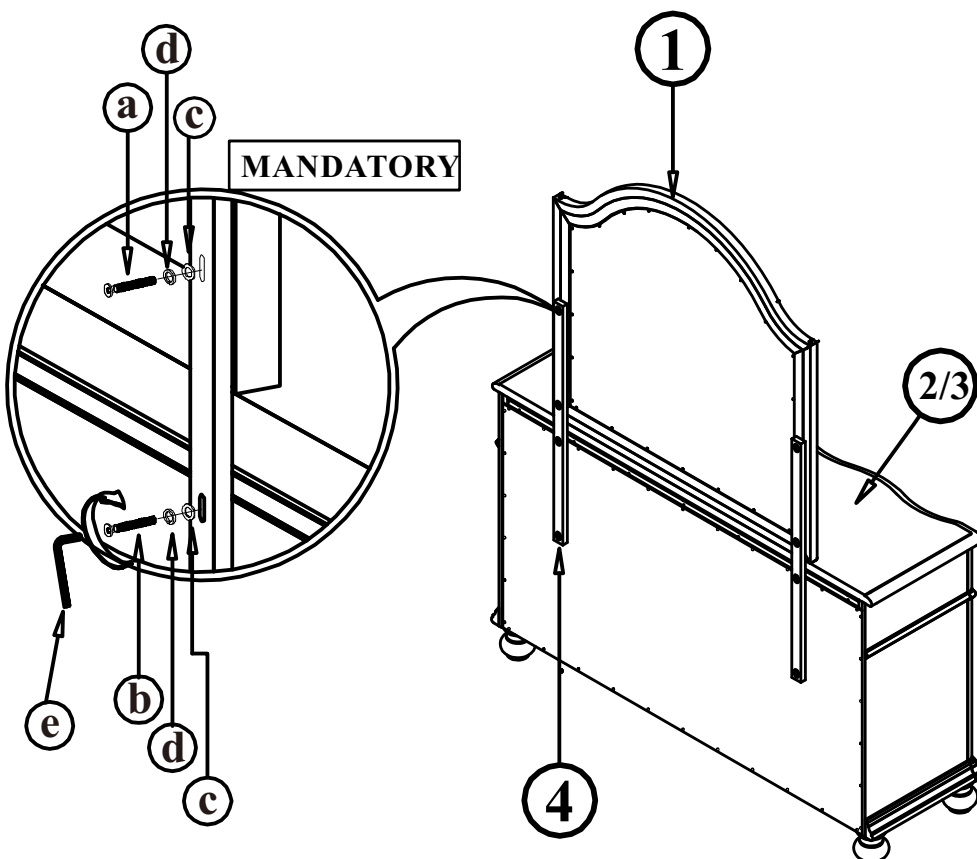
Part Detail  
Option 1



Part Detail  
Option 2

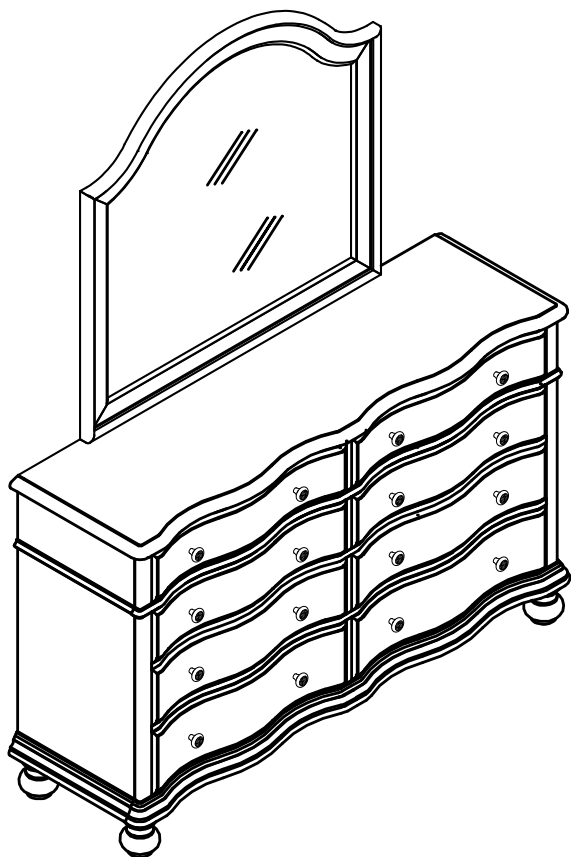


Step 1  
Option 1 & 2



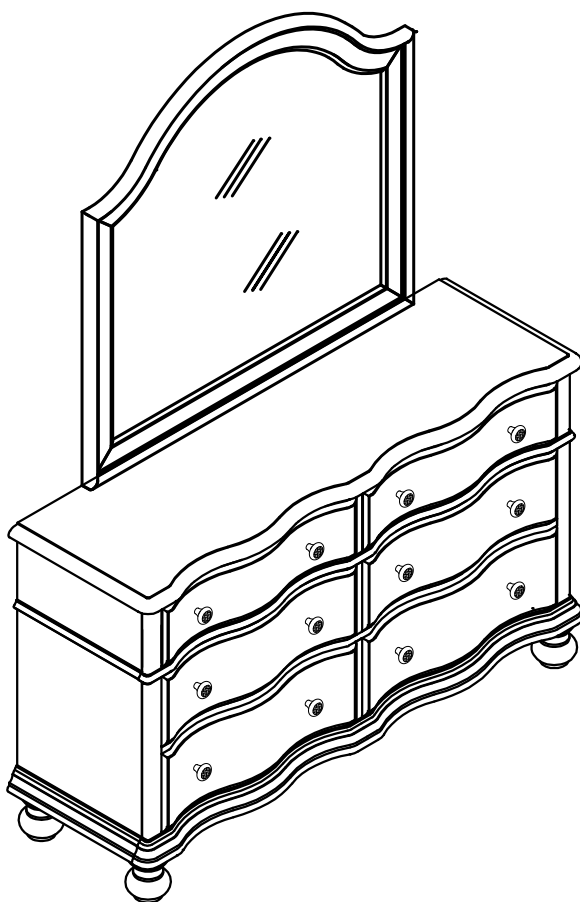
# MIRROR

Step 2  
Option 1



Assembly Completely

Step 2  
Option 2



Assembly Completely