

**DW-DC06**

**INSTRUCTION MANUAL**

**Hello! Please read these important attentions...**

Please put a thick carpet on the ground to protect the furniture finish and corners. During the installation process, **DON' T** fasten screws tight 100% at a time.



## FORM FOR REPLACING MISSING OR DAMAGED PIECES.

Please email to : [customerservice@directwicker.com](mailto:customerservice@directwicker.com)

Model # of product: \_\_\_\_\_  
Ordered by: \_\_\_\_\_  
Order No.: \_\_\_\_\_  
Delivery date: \_\_\_\_\_

Were the boxes good when delivery to you Yes / No

Upon receiving the product, were all the parts intact Yes / No

Name: \_\_\_\_\_

Address: \_\_\_\_\_  
\_\_\_\_\_

Tel: \_\_\_\_\_

**If the product is found damaged after assembly, please provide photos of the entire furniture set and all damaged areas.**



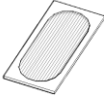



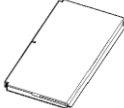

Part#	Qty	Description	Missing/Damaged
			M / D
			M / D
			M / D
			M / D

---

**If you do not receive a notification of the replacement parts within 1 week, please email us at [customerservice@directwicker.com](mailto:customerservice@directwicker.com).**




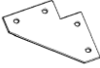




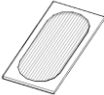
# Assembly Instructions

Please read this before you proceed

A		Backplane1	1pc
B		Backplane2	1pc
C		Left Door	1pc
D		Side panel	2pcs
E		Top	1pc
F		Adjustable shelf	2pcs
G		Bottom	1pc
H		Foot	2pcs

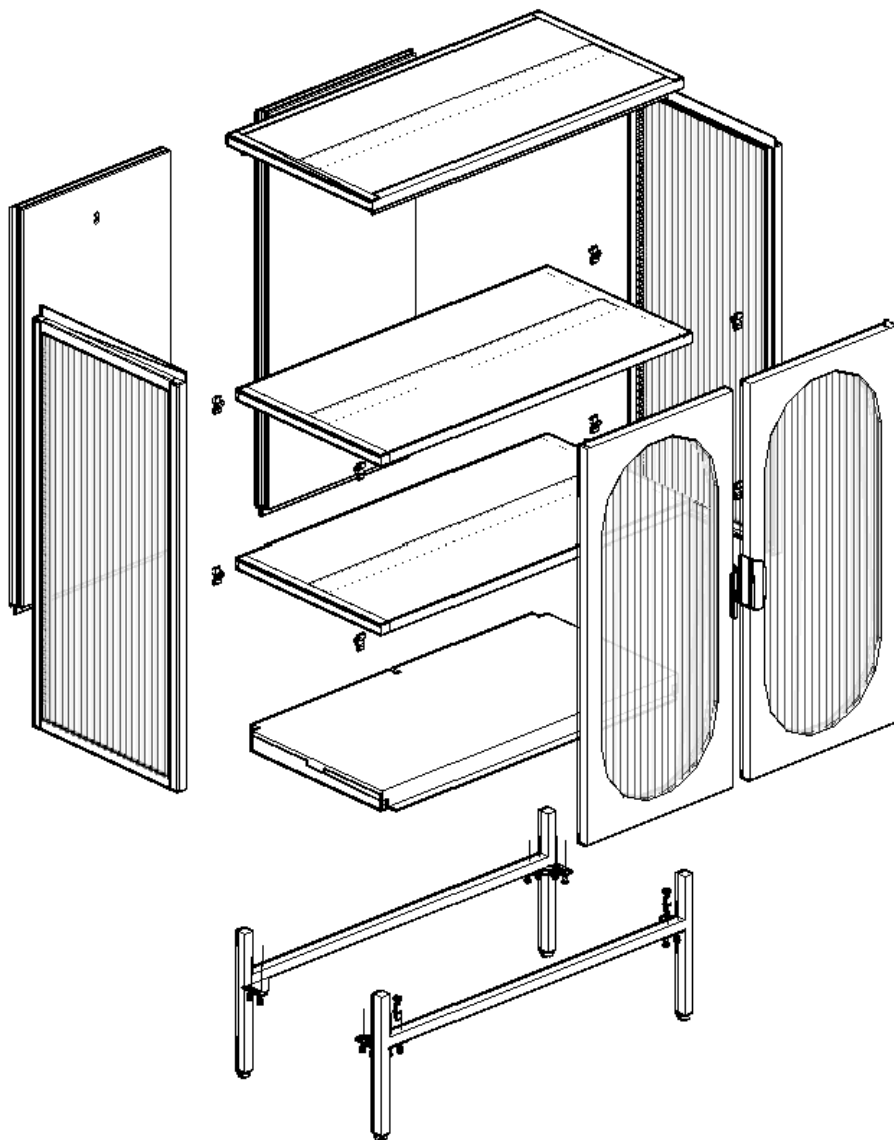
# Assembly Instructions

Please read this before you proceed

I		Pin	2pcs
J		Washer	2pcs
K		Handle screw	4pcs
L		Foot fixers	4pcs
M		Expansion screw	2pcs
N		Hanging film	8pcs
O		Self-tapping screw	36pcs
P		Handle	2pcs
Q		Right Door	1pc

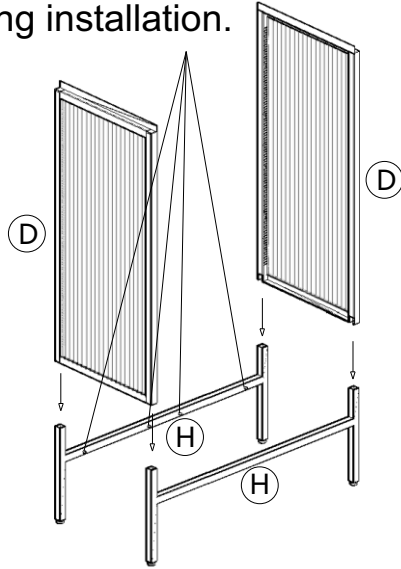
# Assembly Instructions

Explosion view



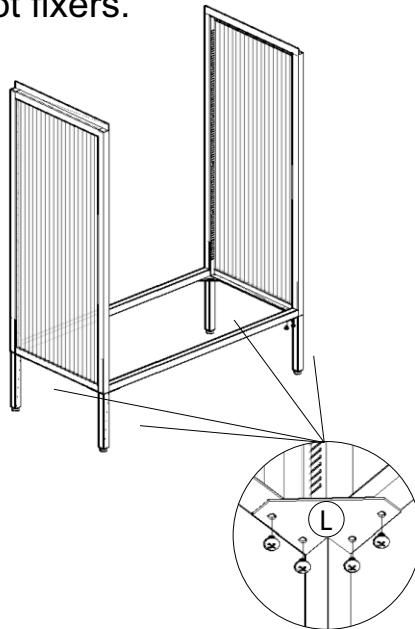
# Assembly Instructions

- 1 Make sure that the foot screw holes are placed in the inside during installation.



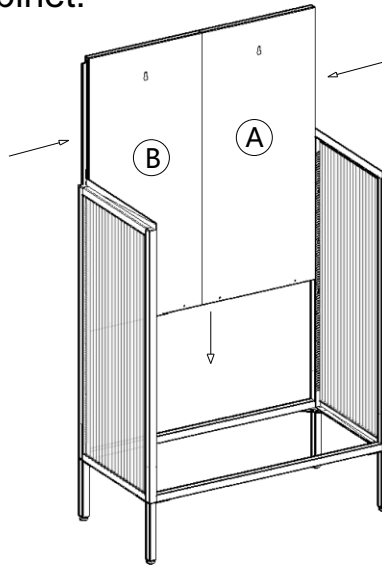
Insert the side panel at the foot.

- 2 Install four foot fixers.

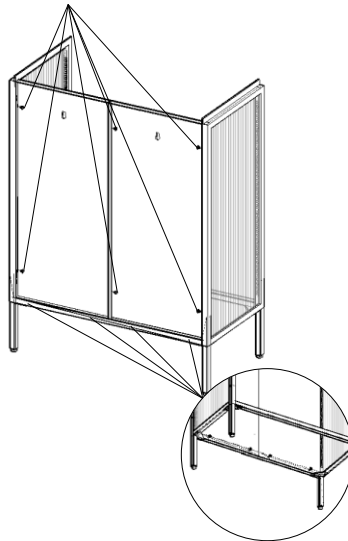


# Assembly Instructions

- 3** After combining backplane 1 and backplane 2, install it into the cabinet.



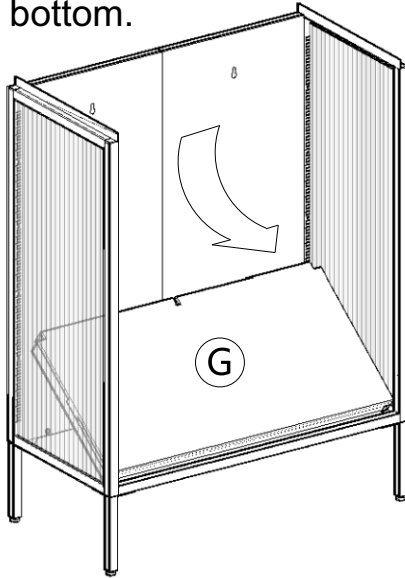
- 4** Connect the six screws on the backplane.



Connect the four screws below.

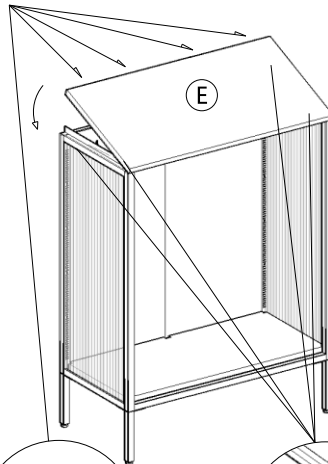
# Assembly Instructions

- 5** Install the bottom.

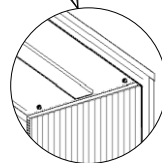
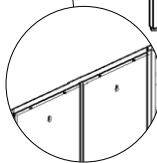


Insert it diagonally and then flatten it.

- 6** Install the top.

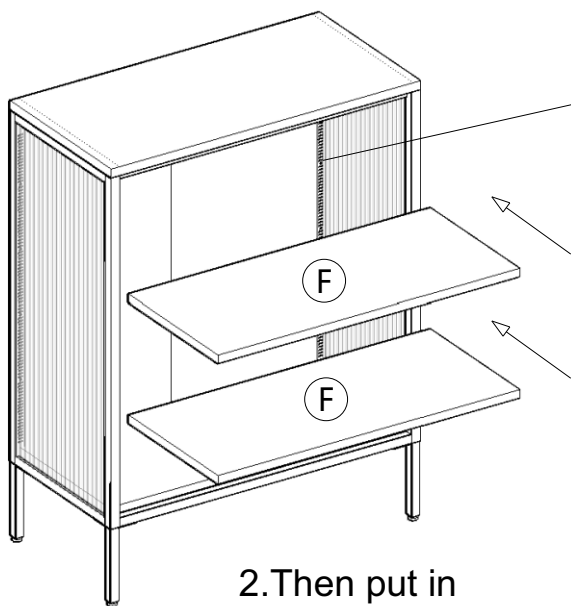


Connect the inner screw of the top and the back screw.

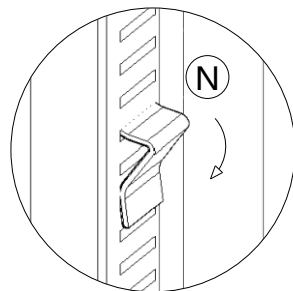
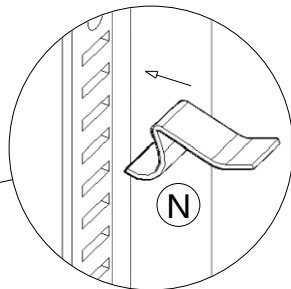


# Assembly Instructions

7



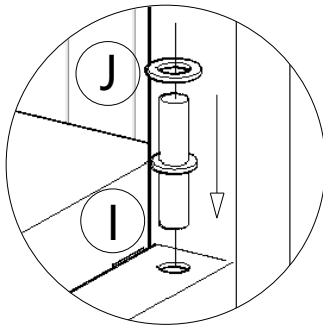
2. Then put in the adjustable shelf.



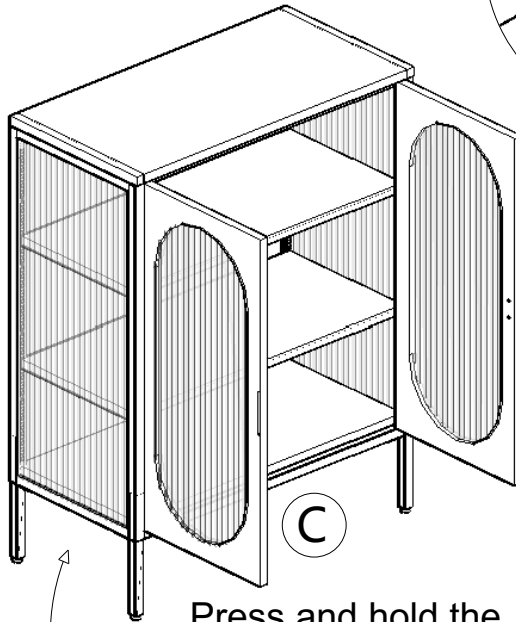
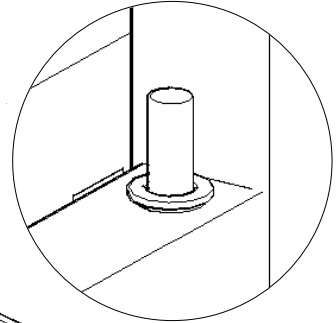
1. Horizontal insertion and vertical placement.

# Assembly Instructions

8

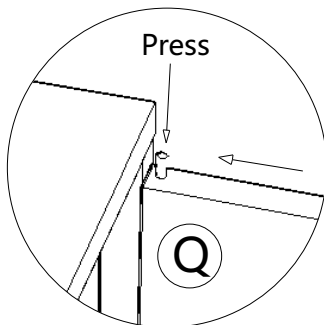


Install the pin under the cabinet

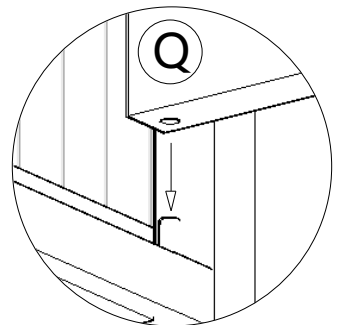


Take the right door as an example.

Q



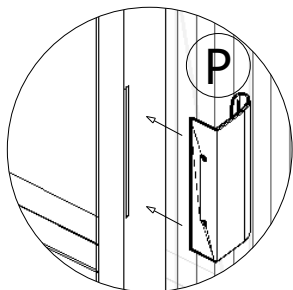
Press and hold the upper spring pin and place the cabinet door to put the spring pin in place to complete the installation.



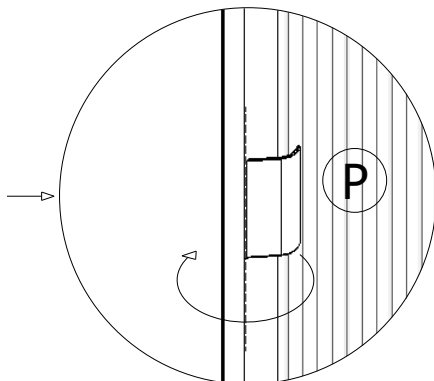
Insert the bottom hole of the cabinet door into the pin

# Assembly Instructions

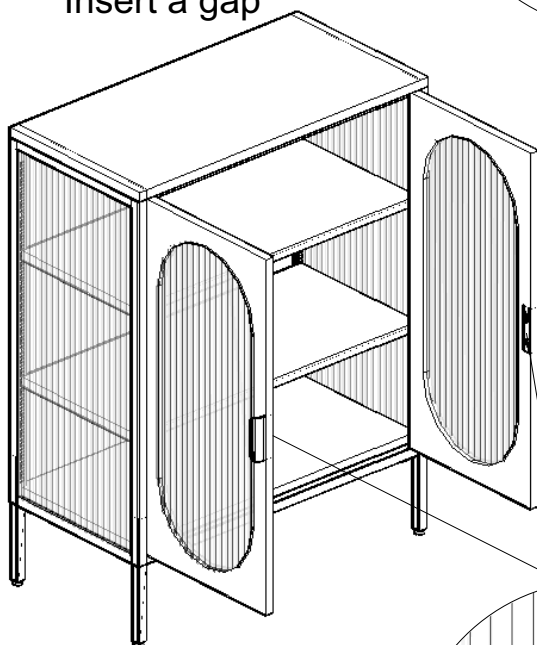
9



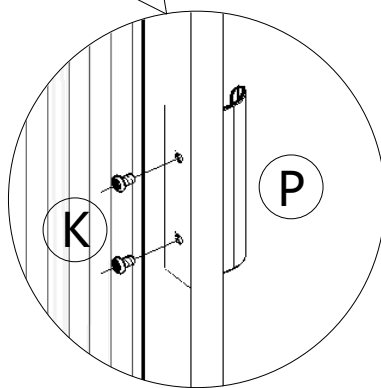
Insert a gap



Rotate 90°

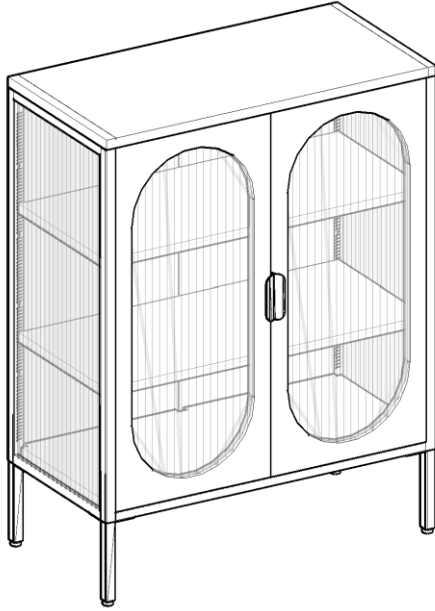


Use the handle screws to install the handle.

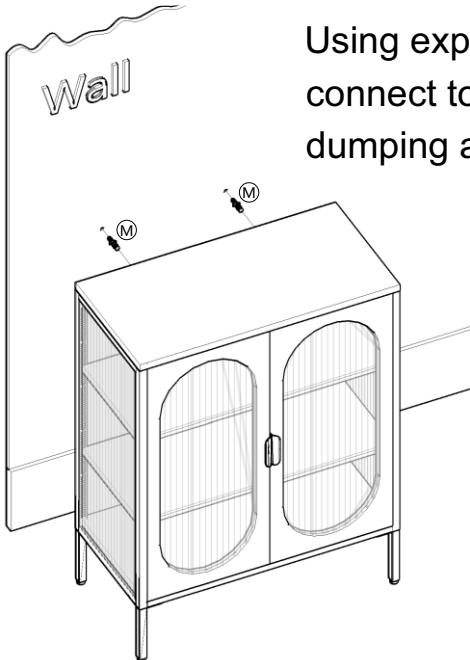


# Assembly Instructions

## 10 Finish



## 11



Using expansion screws to connect to the wall can prevent dumping and make it stronger.



## Customer Instruction Card

To our most beloved and valued customer:

Thank you for your order, and we appreciate your trust and support.

If you need any assistance or have any questions about your order, please reach our customer service team with your order number at:

**Direct Wicker Corp Tel: (813) -304-1389**

ET: 9 AM - 5 PM, Monday - Friday

If you would like to know more about Direct Wicker or need to forward documents, you can also reach us at: **customerservice@directwicker.com**

Our team will always be here to help.

Common Questions:

1. Normally the cushion is placed within the ottoman/ chair, please turn it upside down, you may find the cushion.
2. Please do not fully tighten the screws before all parts were assembled successfully, in case the products can not be lined up in position.
3. Furniture sets are mostly delivered in multiple cartons. If the numbers of boxes you received are not correct/missing. Please contact us via phone or email with your order number.
4. Our cushions are considered as shower proof, and we recommend that when the furniture set is not in use , cover it with a furniture cover or store it in dry place.
5. Always be careful when cleaning or handling glass (Always wear gloves and read the instructions of any household cleaner.) We do not advise placing hot objects such as tea or coffee pots directly onto the surface of the glass, always use coasters.
6. If you would like to return the order, be sure to also return any accessories and packing slips that came with your original package.

Thank you for your understanding and cooperation, we wish you a fantastic shopping experience with us, and we are looking forward to serving you again!

*Direct Wicker Team*

A stylized illustration of a hand holding a bouquet of flowers. The bouquet consists of several stems with small, light blue and pink flowers. The hand is shown from the side, holding the bouquet from the bottom.



Your Home Our Passion



For more information, please visit our website:  
[www.directwicker.com](http://www.directwicker.com)