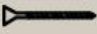

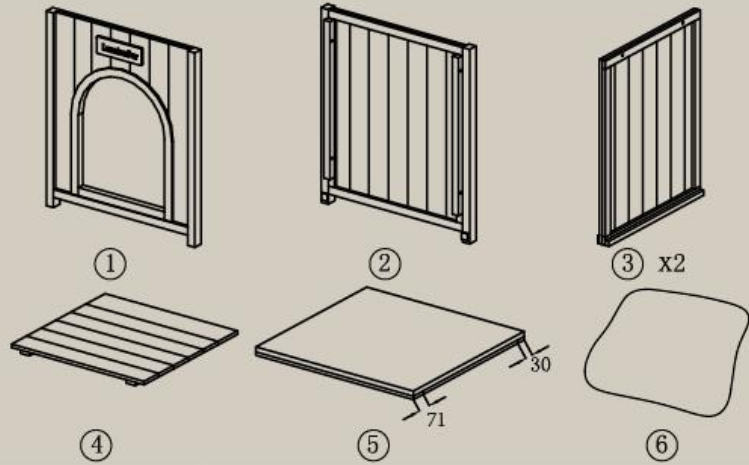


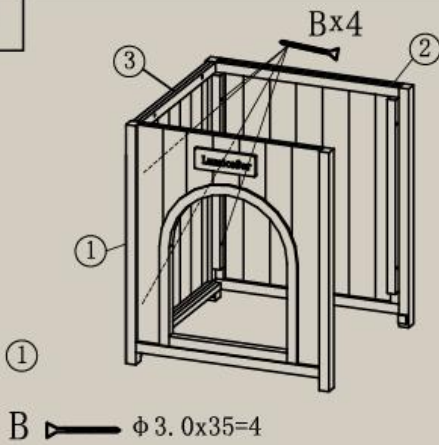
Please Check all parts before assembly

A  $\phi 3.0 \times 40 = 4$

B  $\phi 3.0 \times 35 = 8$

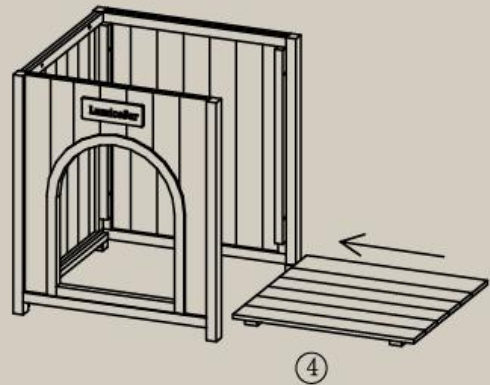


1



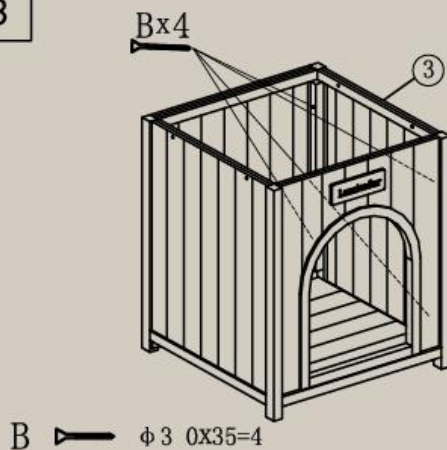
1. Connect panels ①, ② & ③ with 4 × B screws ($\phi 3.0 \times 35$ mm).

2



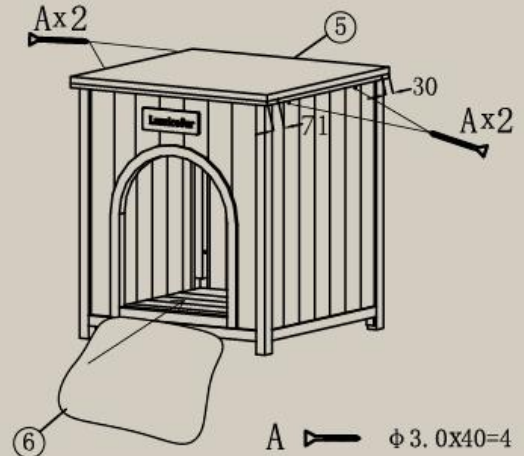
2. Slide panel ④ into the bottom.

3



3. Fix the side panel (③) with 4 × B screws.

4



4. Install roof (⑤) with 4 × A screws. Put cushion (⑥) inside.