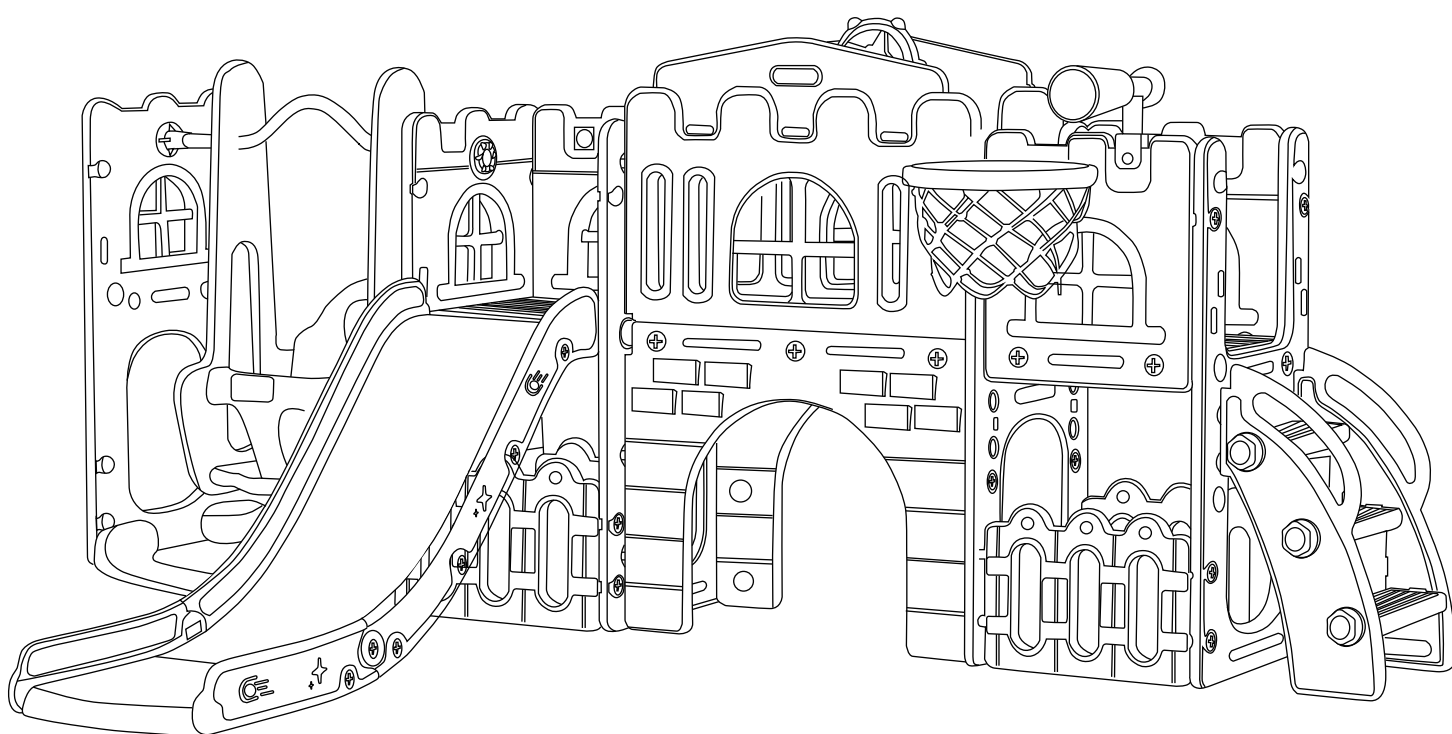
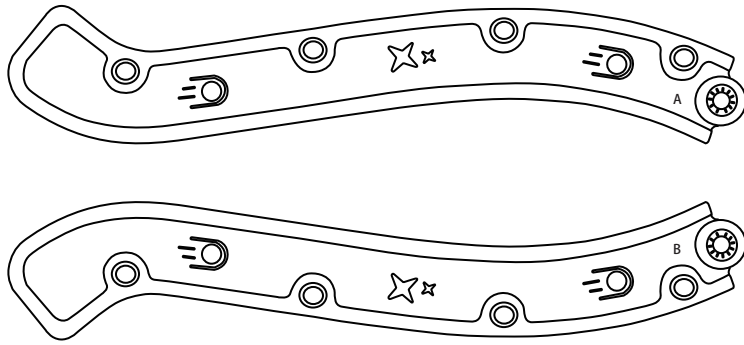


Installation Manual

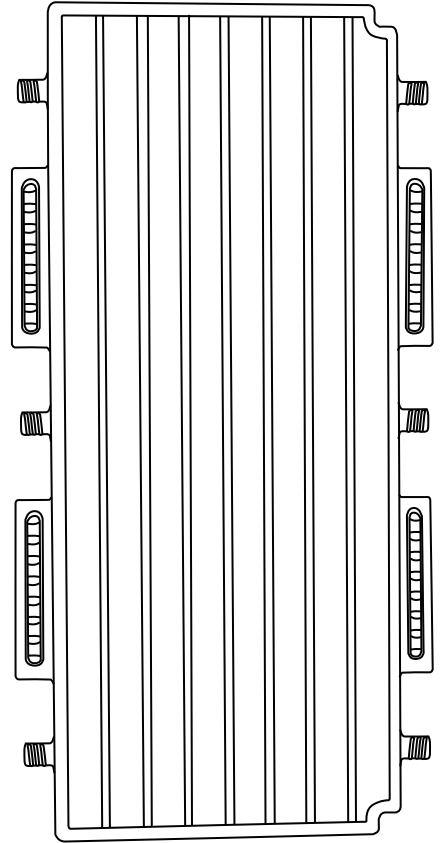


Please read the manual carefully before using this product and keep it properly for future reference

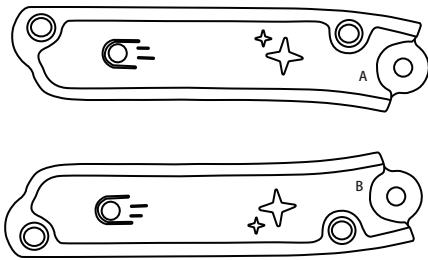
Parts List



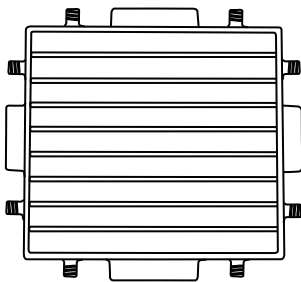
ABx1



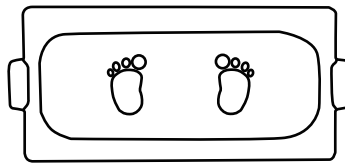
x1



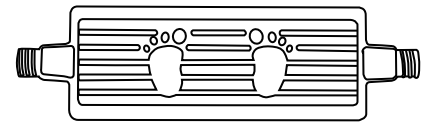
ABx1



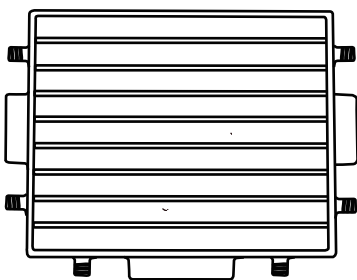
x1



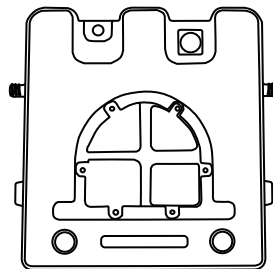
x2



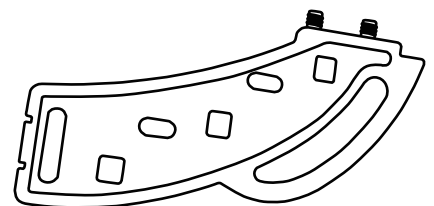
x3



x1

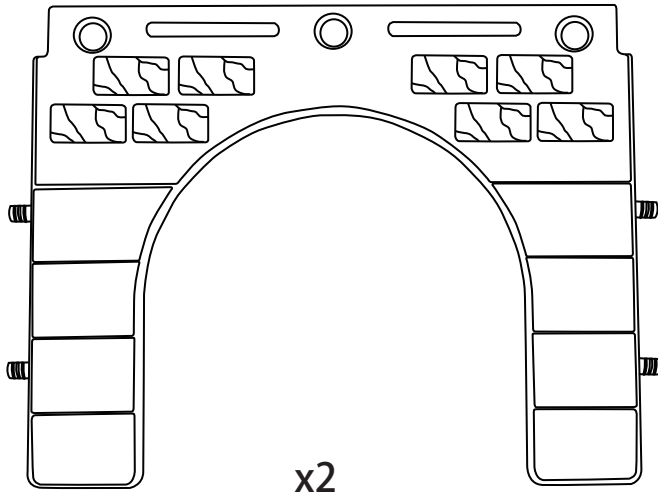


x3



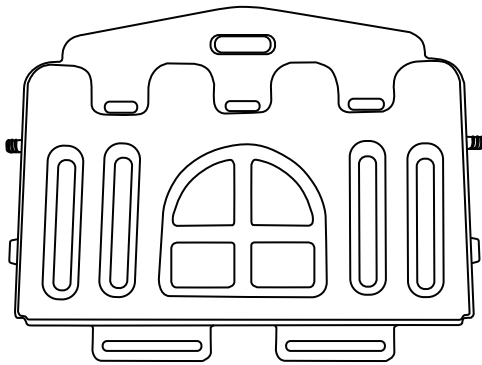
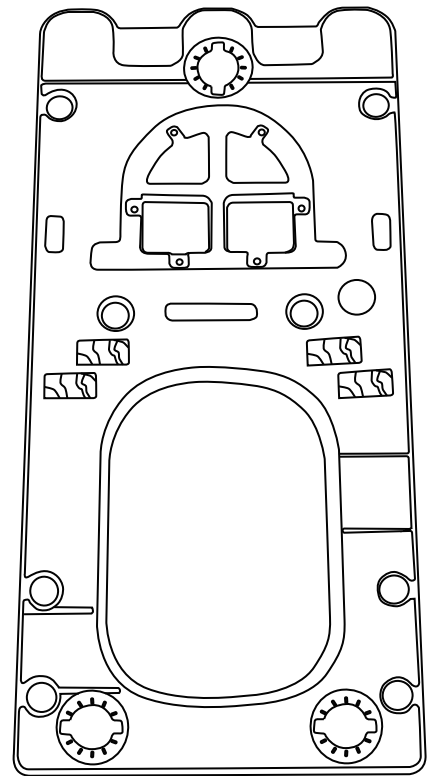
x2

Parts List

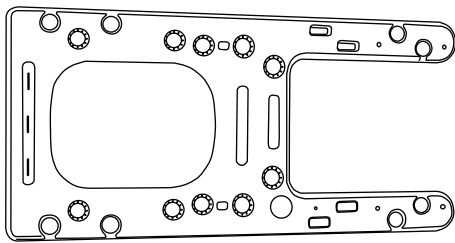


J

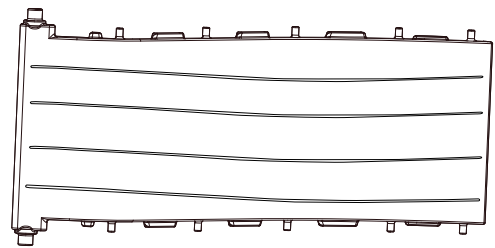
K



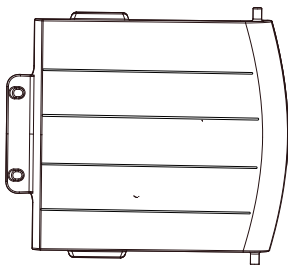
L



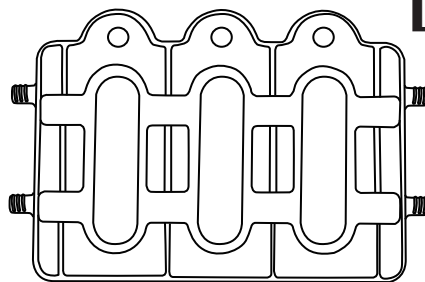
M



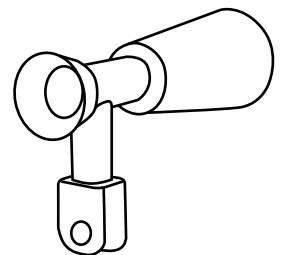
N



O

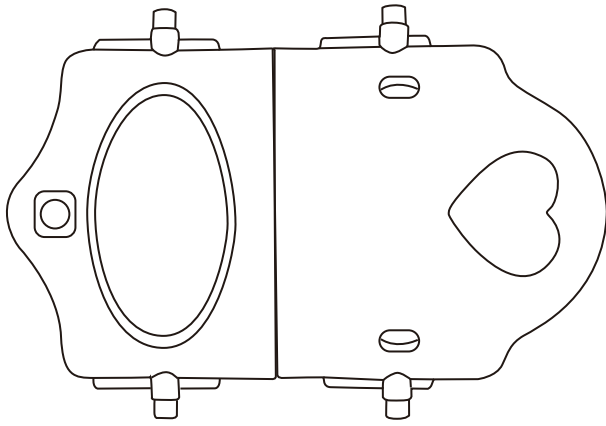


P



Q

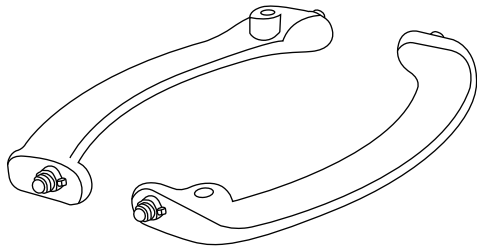
Parts List



x1

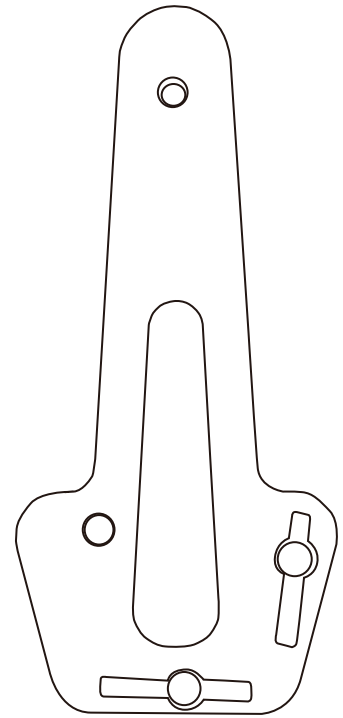
R

S

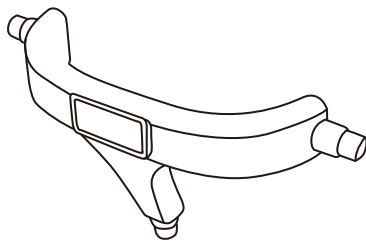


x1

T



ABx1



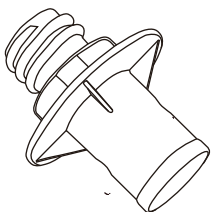
x1

U

V



x1

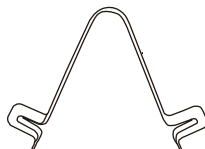


x1

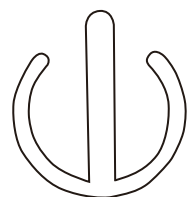
W

X

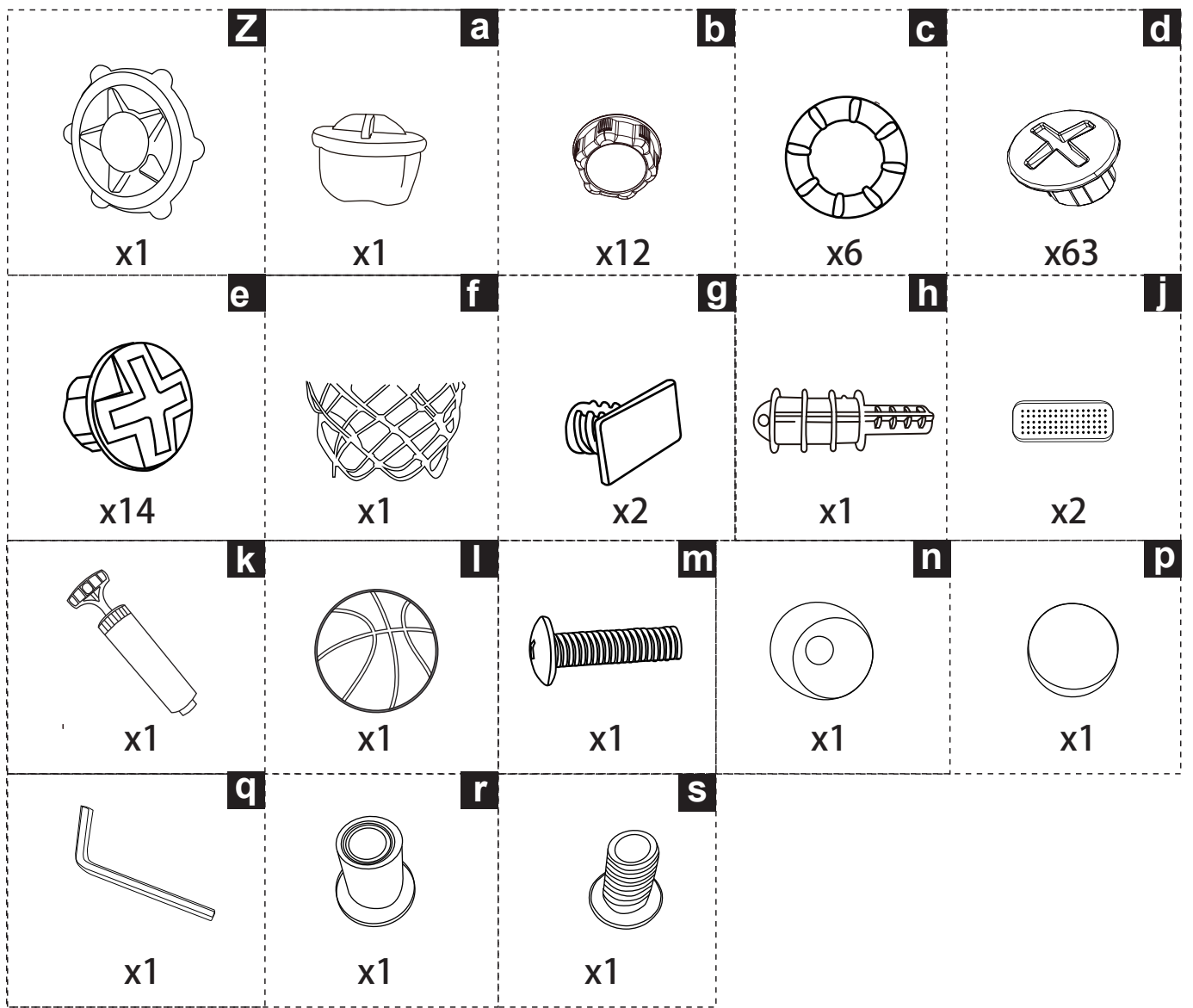
Y





x2



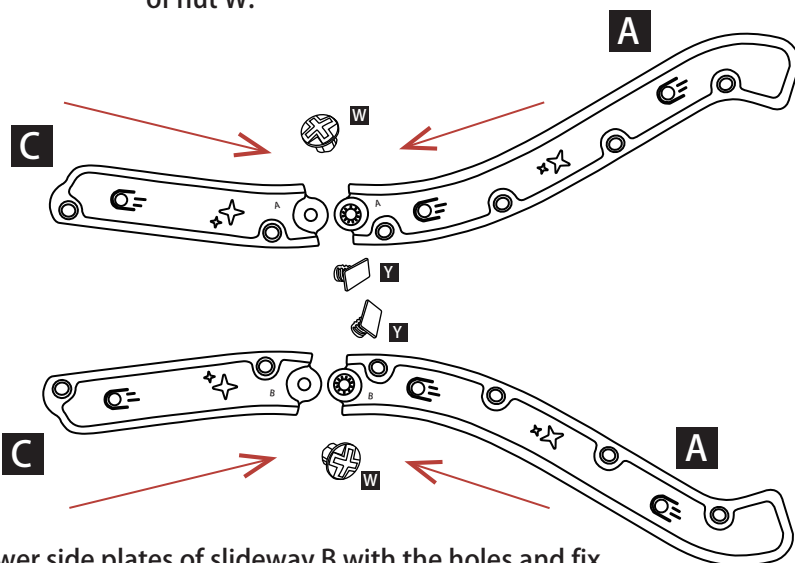
x4



W X 2 	Y X 2 
---	---

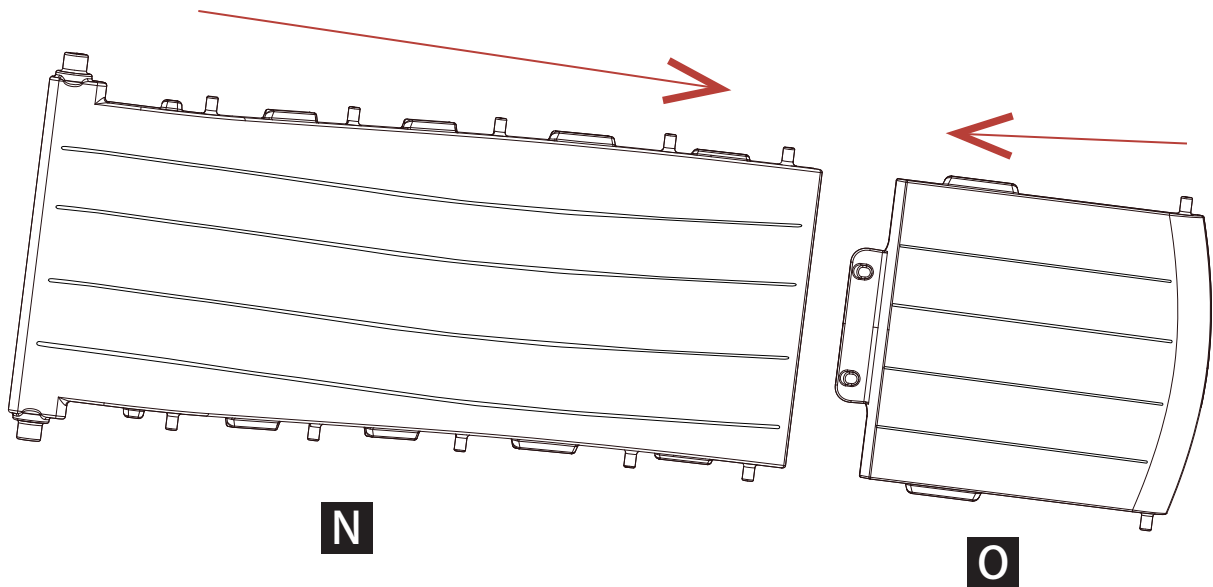
01

Align the upper and lower side plates of slidaway A with the holes, and fix them with the inner side of square nut Y and the outer side of nut W.



Align the upper and lower side plates of slidaway B with the holes, and fix them with the inner side of square nut Y and the outer side of nut W.

The upper and lower parts of the slide are merged with the holes.



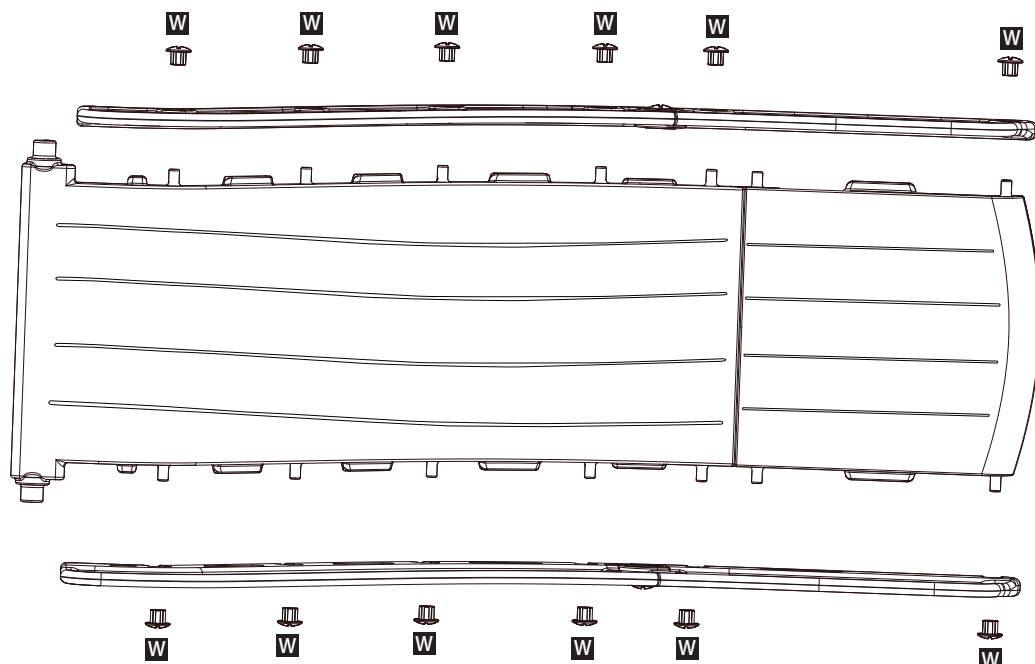
N

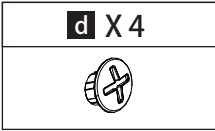
O

W X 12

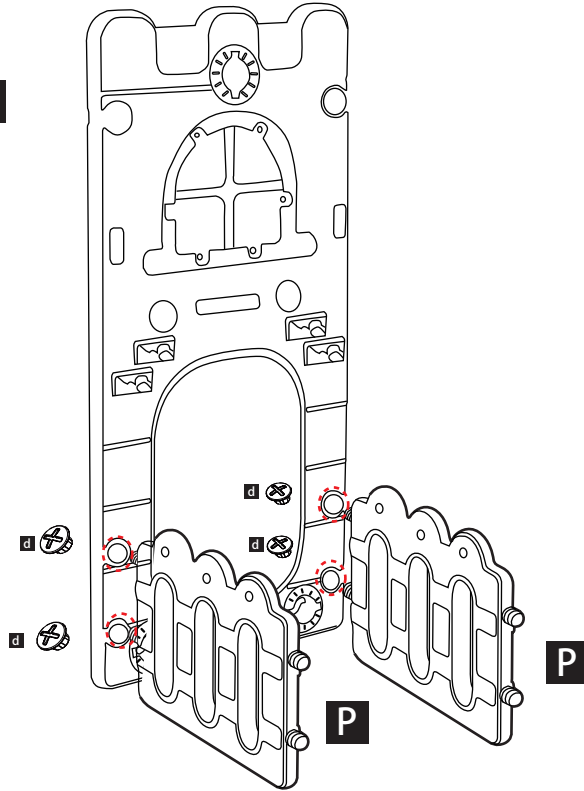


Fix the installed holes on the slideway side plate with the holes on the slideway nut column with nuts W.

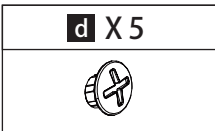




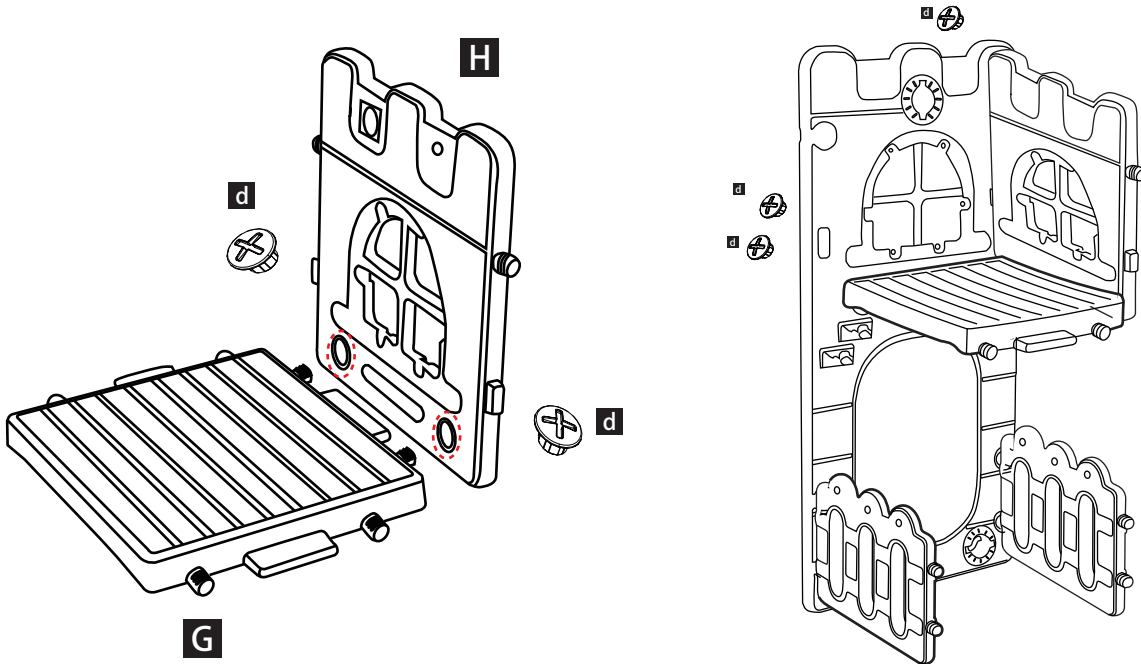
K



Place the fence on the bottom of side panel M and install it with nuts V from the outside.

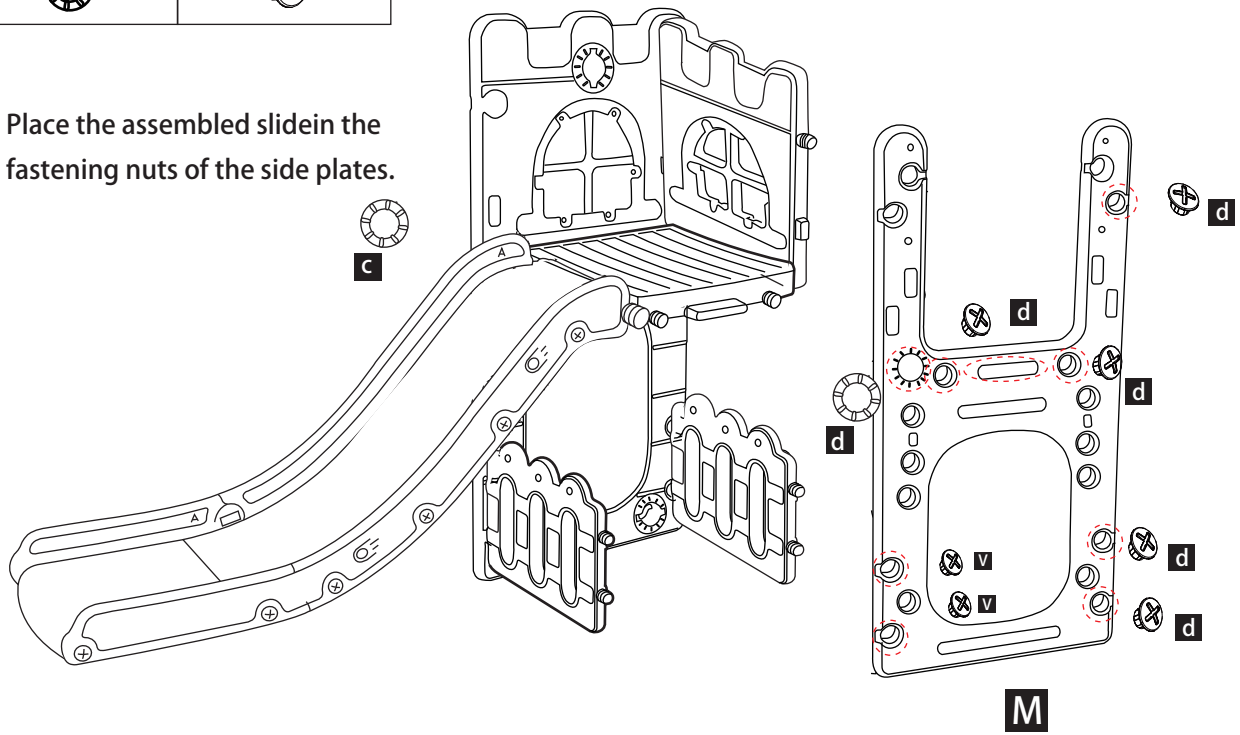


The balance board G and the corridor school gate H are inserted into the corresponding holes and fixed on the outside with nuts V. After assembling the balance board, put the large side plate into the corridor and install the nuts V on the outside for fixing the holes.

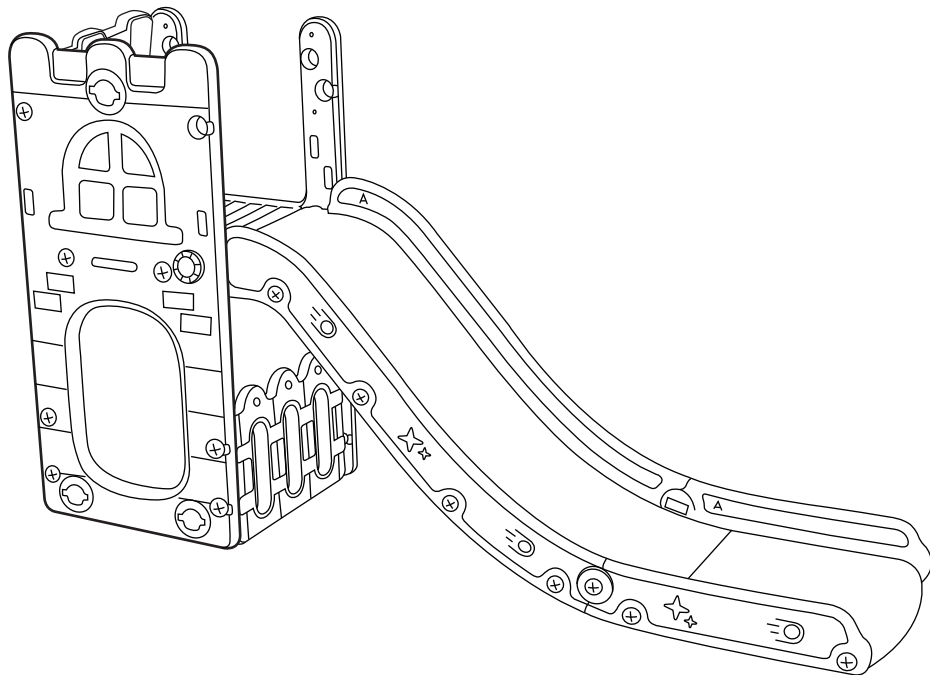


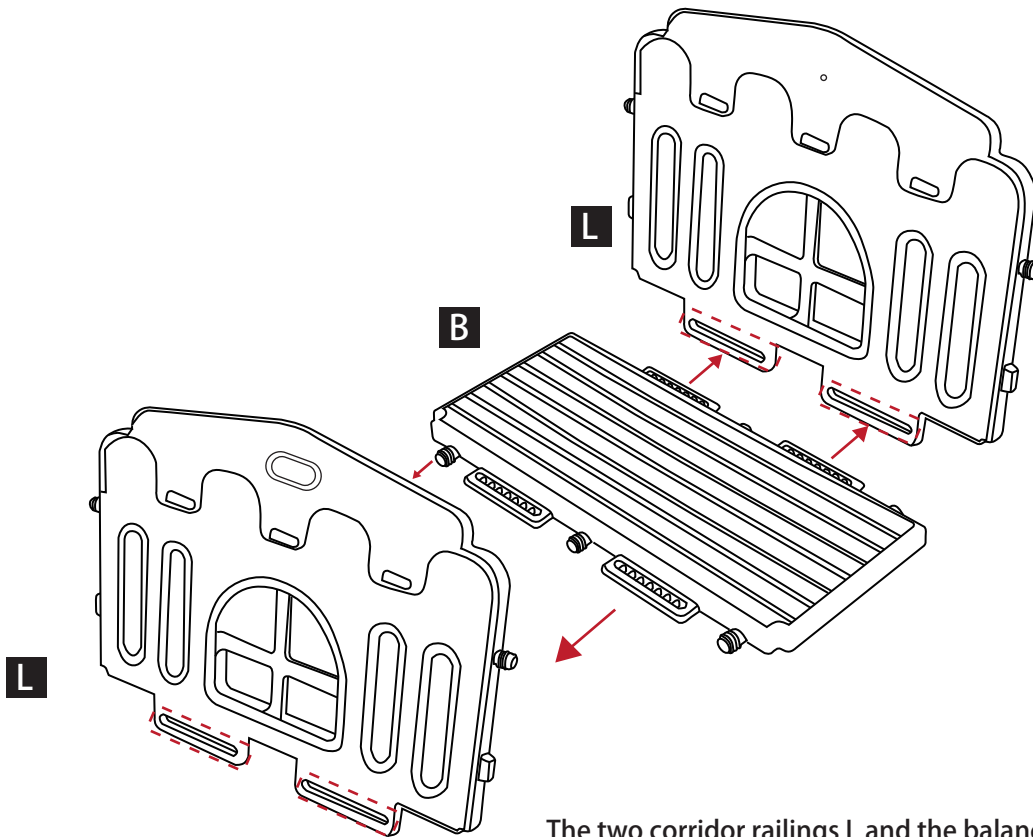
c X2	d X7
	

Place the assembled slide in the fastening nuts of the side plates.



Install half side plate M with the fixing nut in the hole from the outside.



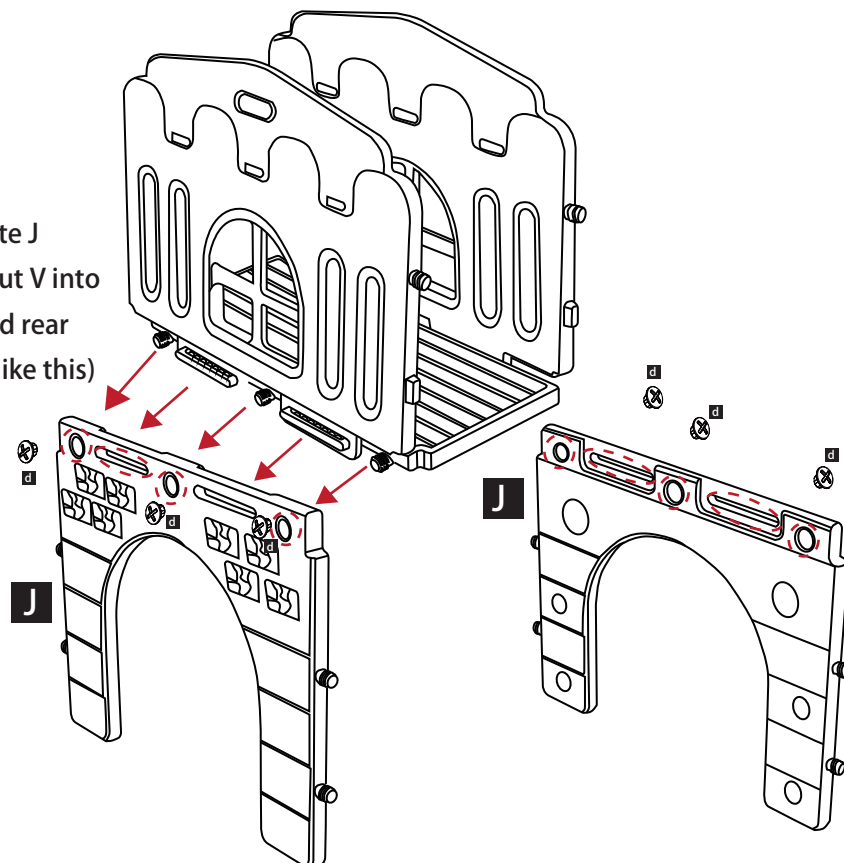


The two corridor railings L and the balance board B are snapped into the corresponding holes.

d X 6



Semicircular fixing plate J snaps into the fixing nut V into the hole (Both front and rear fixations are installed like this)

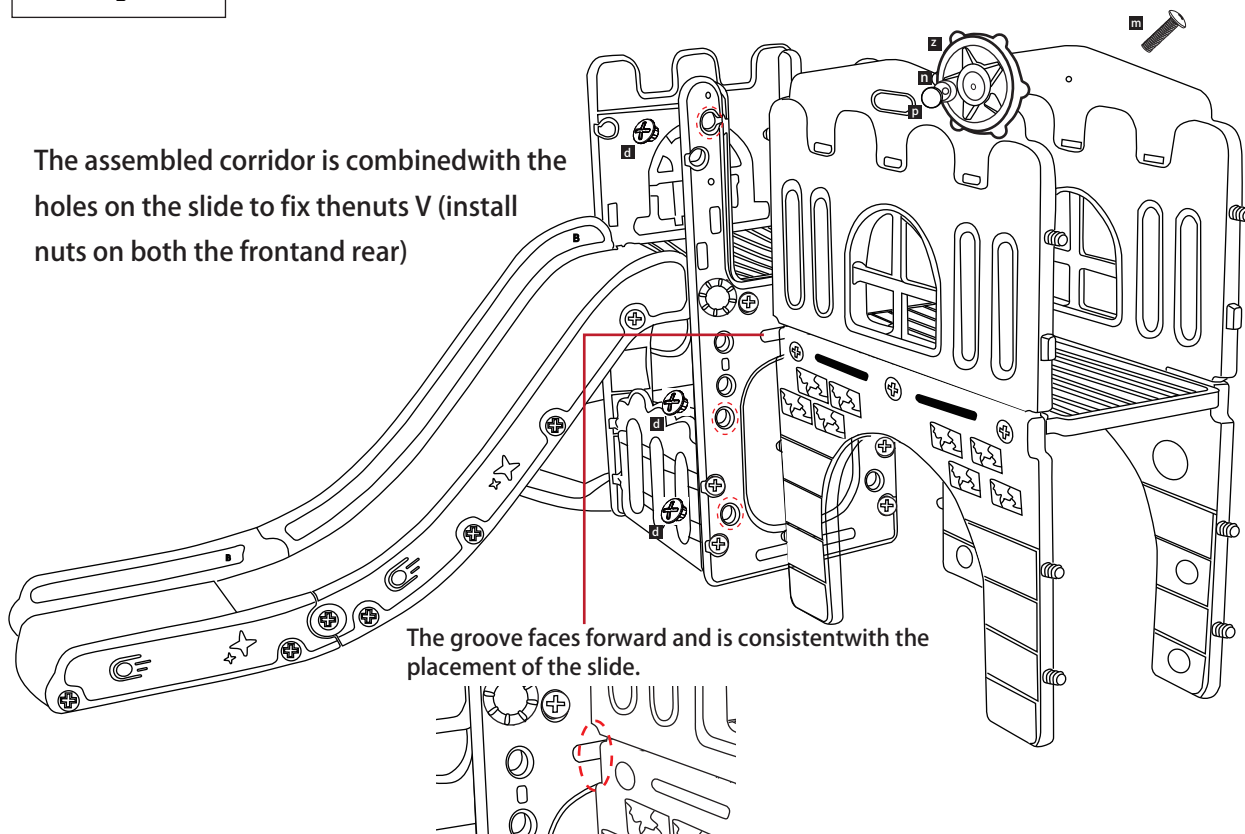


d X 6



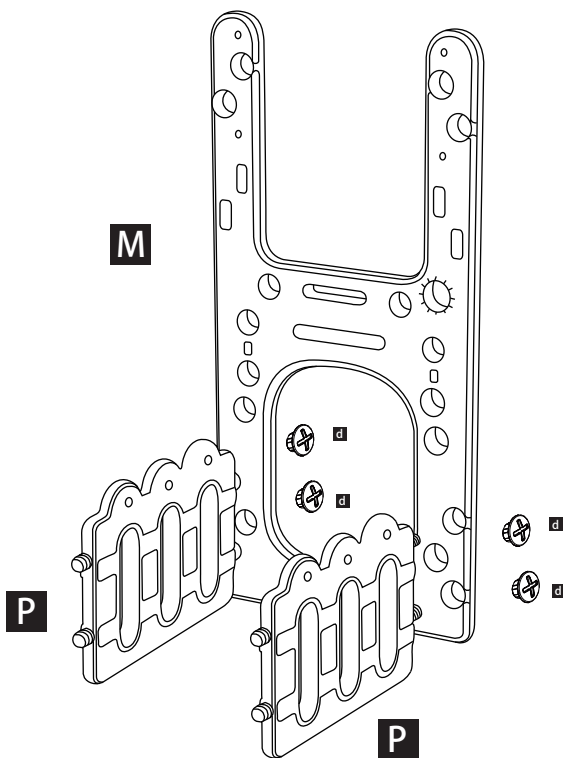
Just place them in order for fixed installation as shown in the picture

The assembled corridor is combined with the holes on the slide to fix the nuts V (install nuts on both the front and rear)



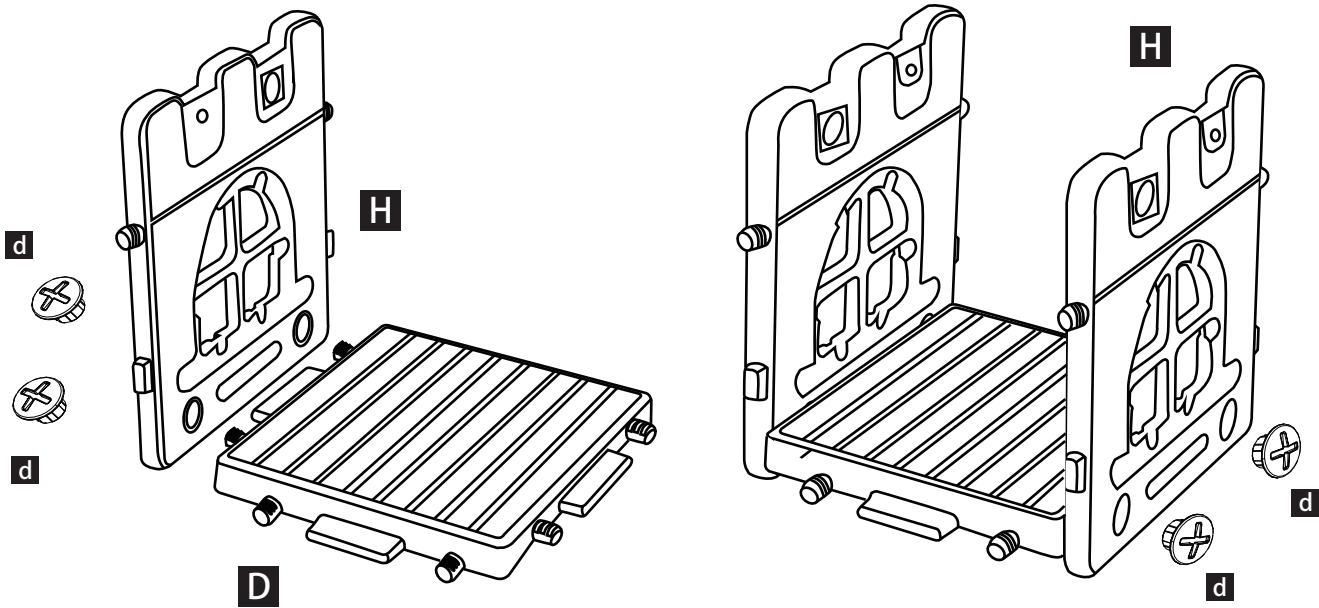
The groove faces forward and is consistent with the placement of the slide.

d X 4

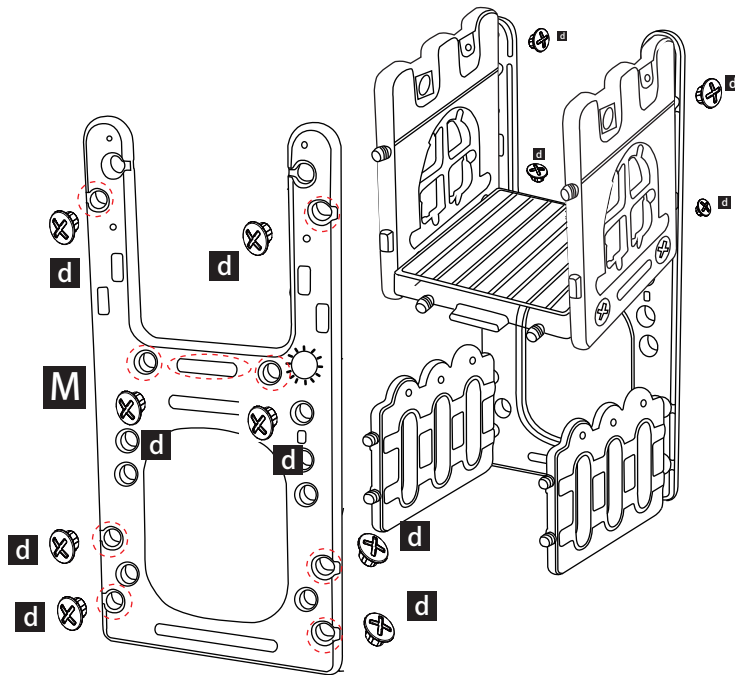


Place the fence on half side and half M bottom, fix the holes from the outside, and install with nuts V.,

d X 4



d X 12

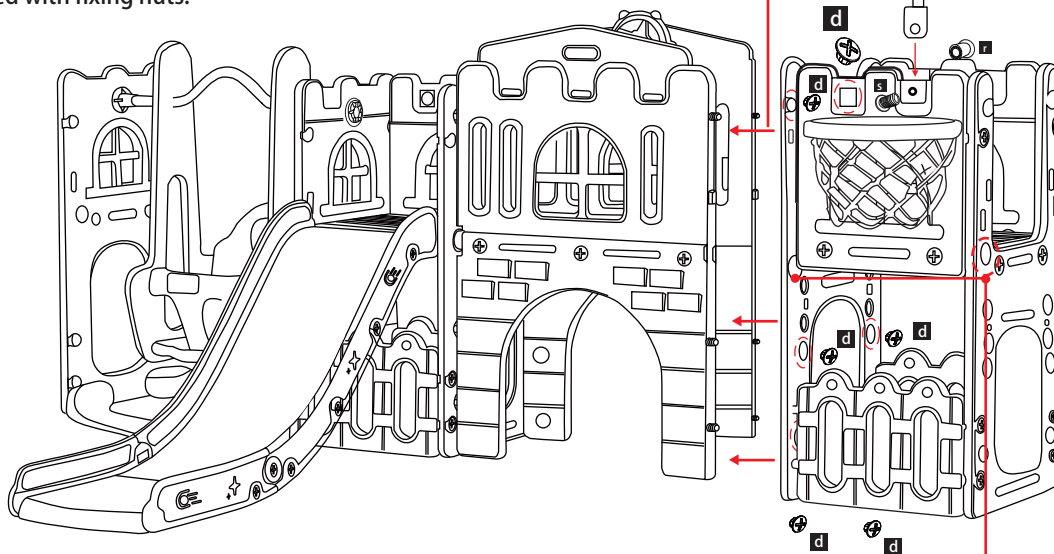


Install the nuts in the M holes on the half side plate

d X 7



Page 13 The finished part is merged with the aisle and installed with fixing nuts.



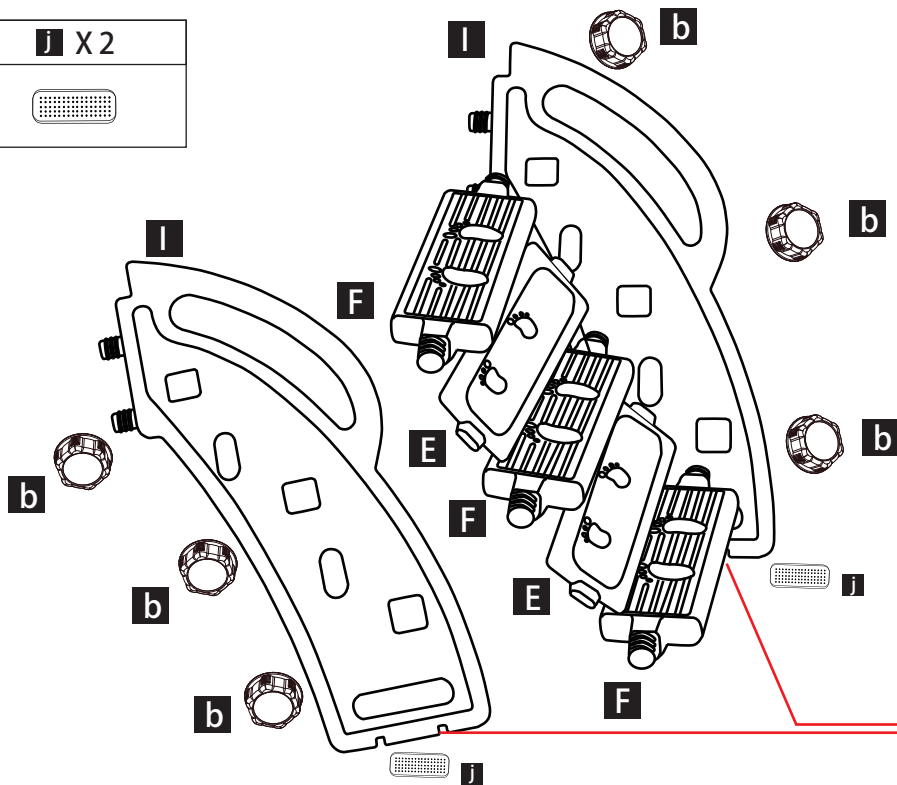
Snap into the pointed position and install iron nuts K and Q on the holes

The positions of the large round holes on the half side panels need to be in the same direction.

b X 6



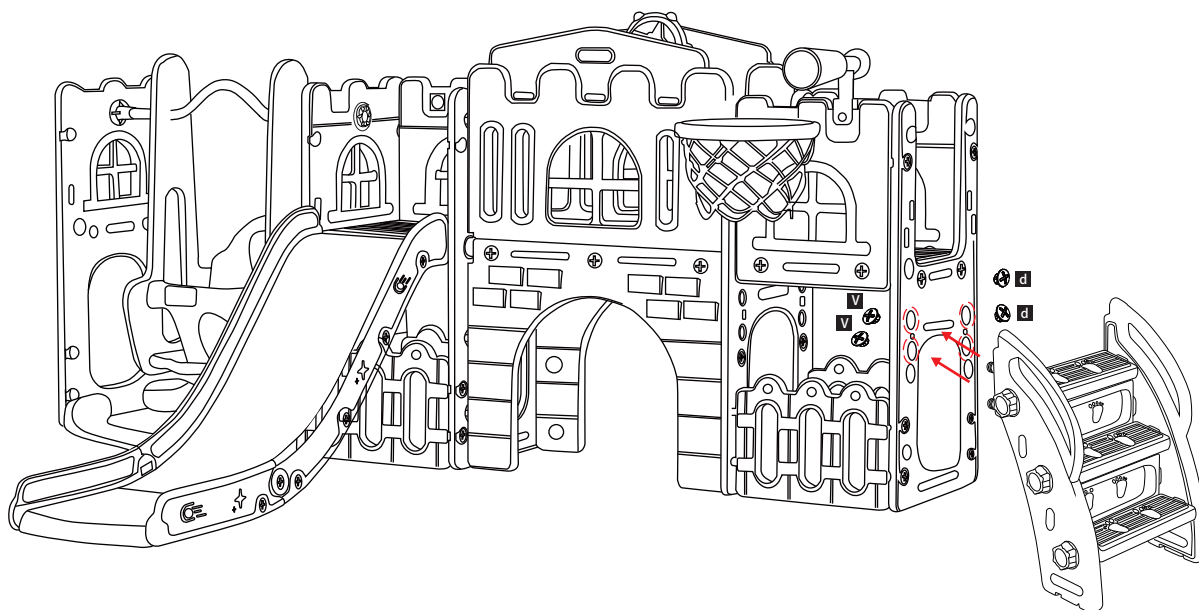
j X 2



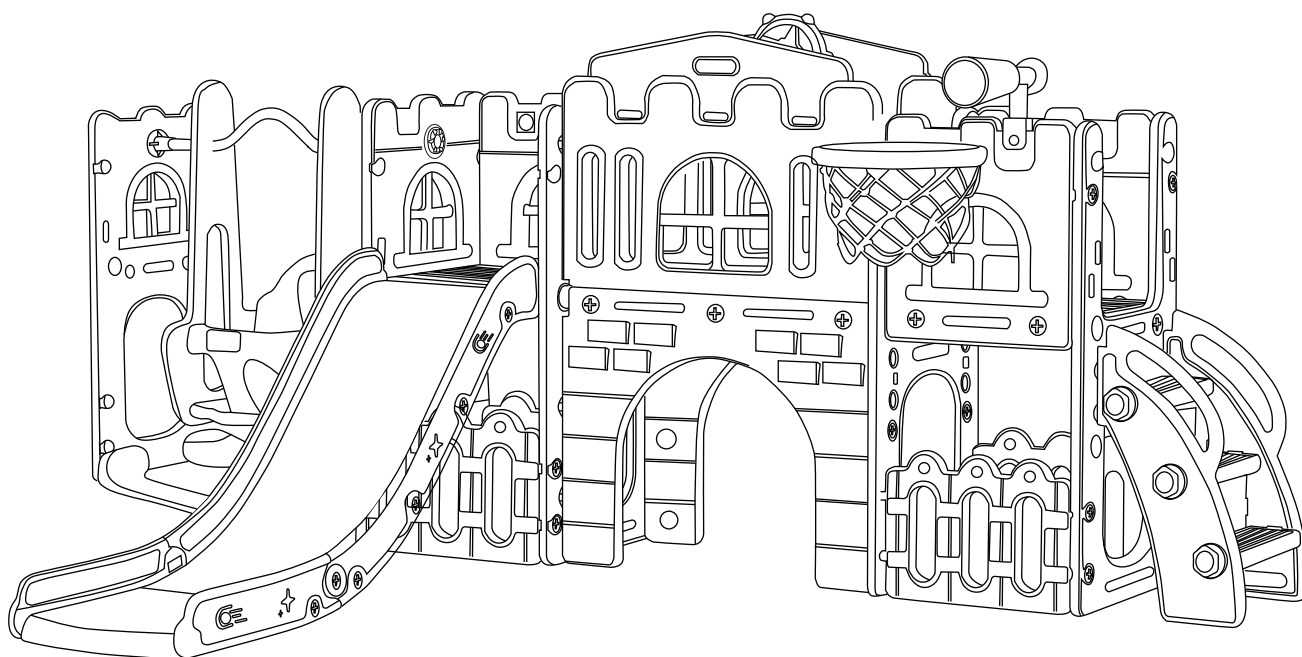
Attach the anti-slip pad to the bottom of the armrest.

Install the fixing nuts **b** in the holes on the tread stair side panel **I** in sequence, and finally install the fixing nuts on the stair side panel.

d X 4

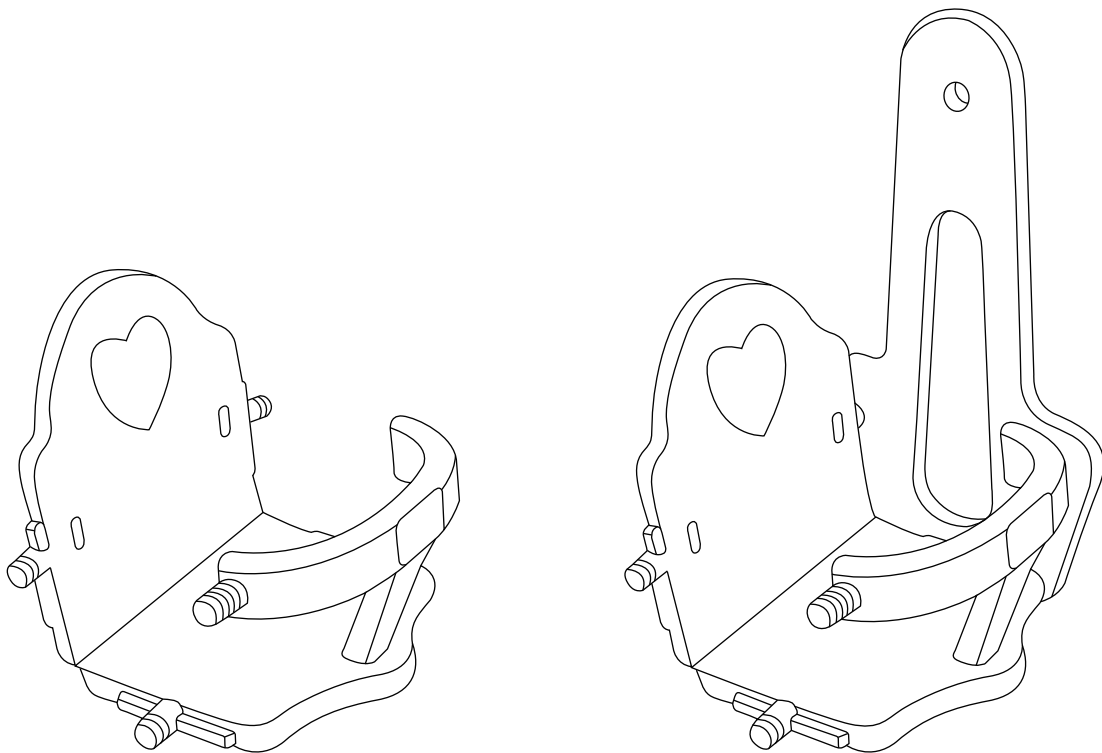
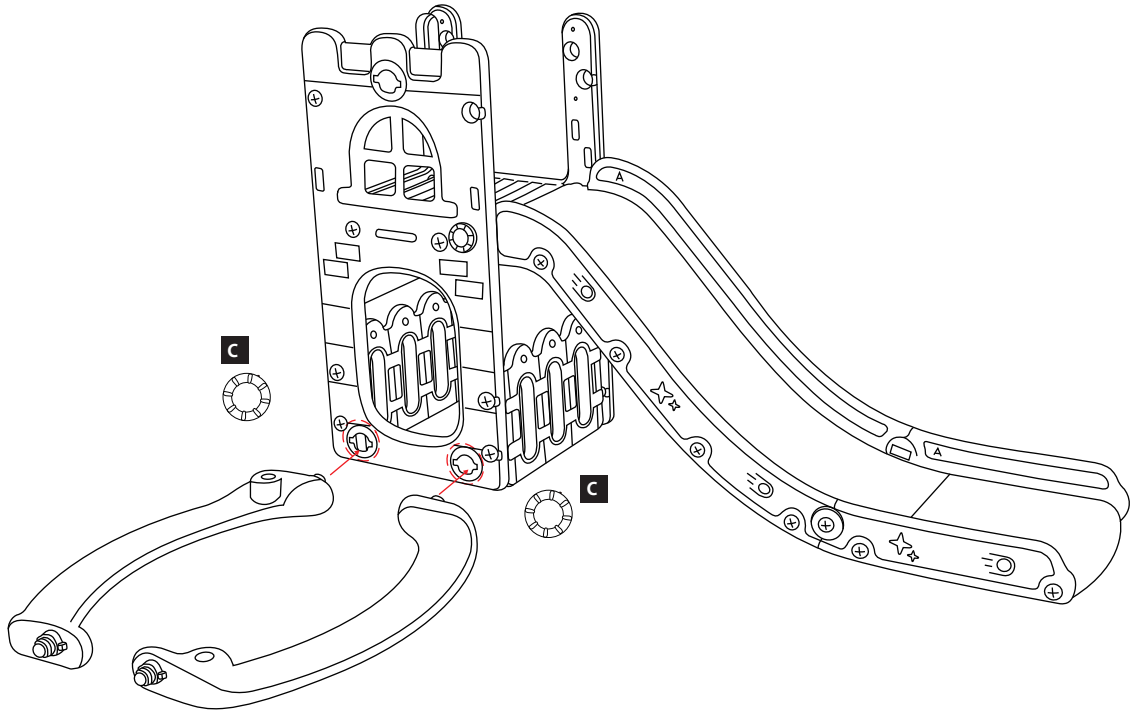


Install the nut B in the inner hole of the assembled staircase.

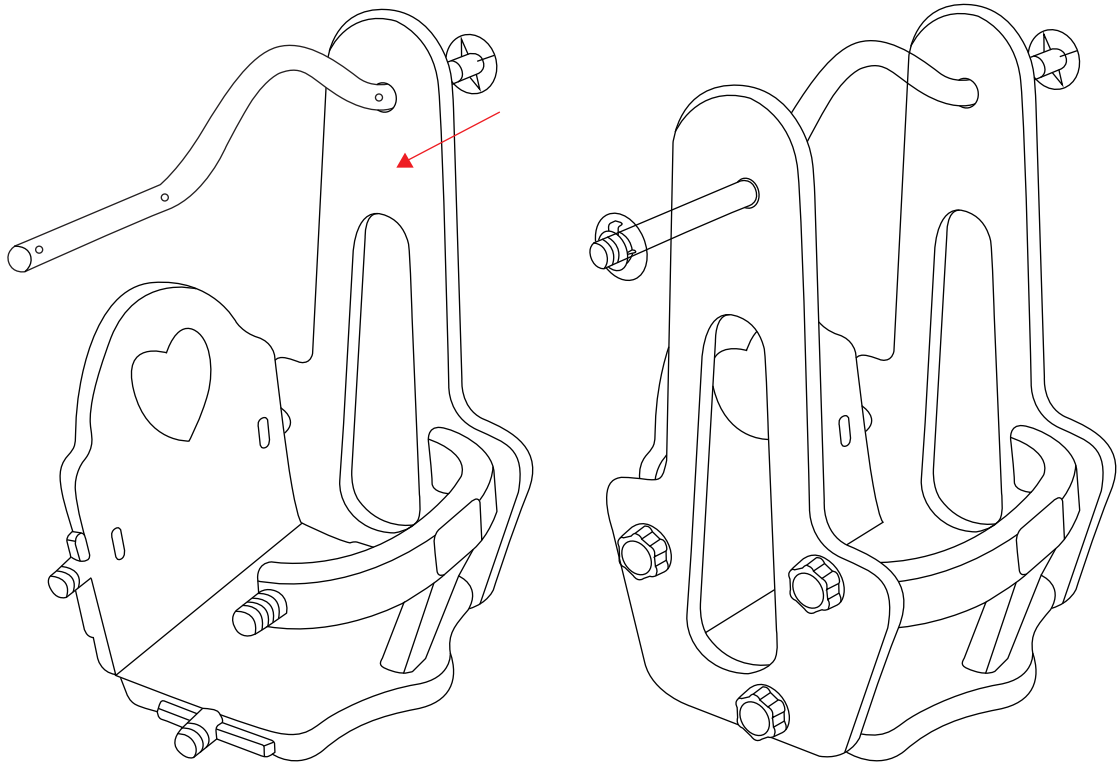


Installation Complete

X2



02



03

