

Ax2pcs



Bx6pcs



Cx1pc



Dx2pcs



Ex6pcs



Lx6pcs

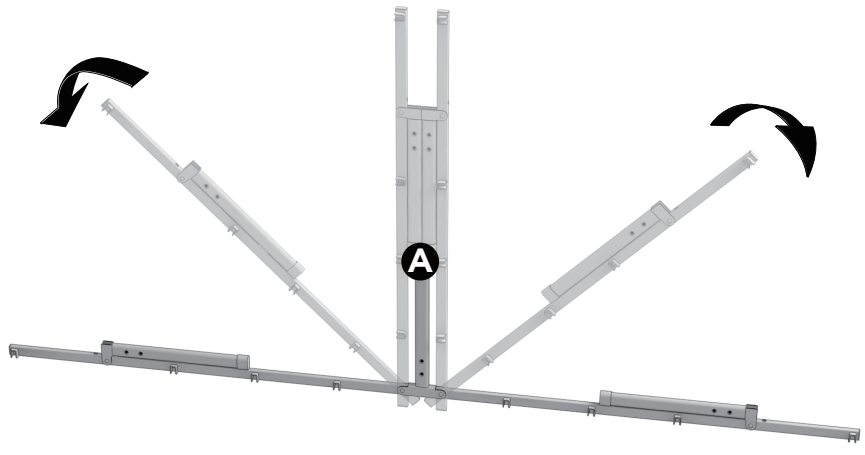


Sx24pcs



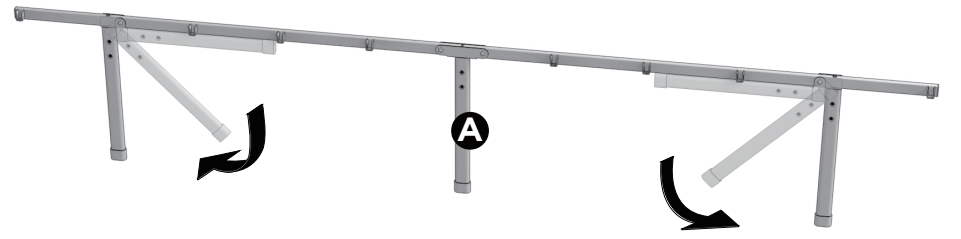
x1pc

1



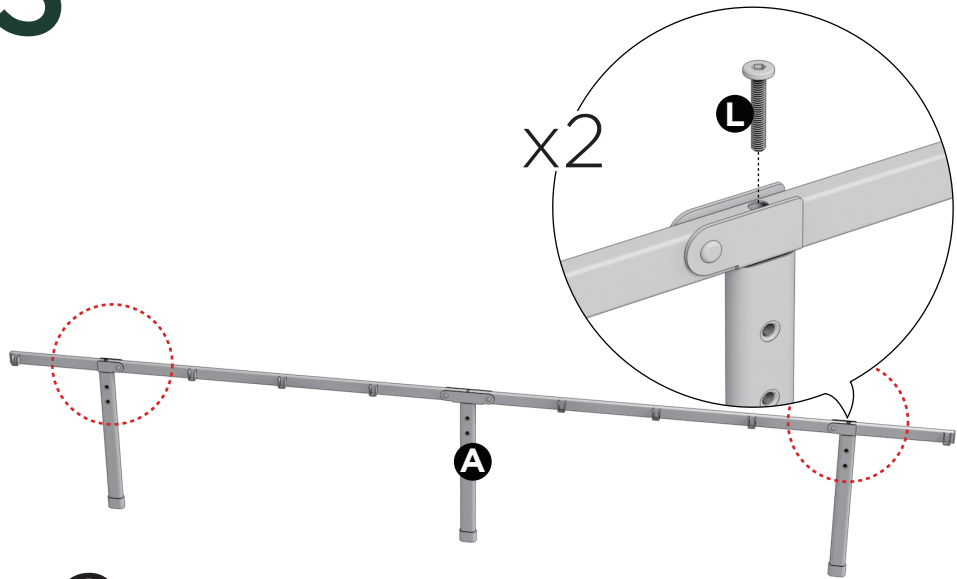
x2

2



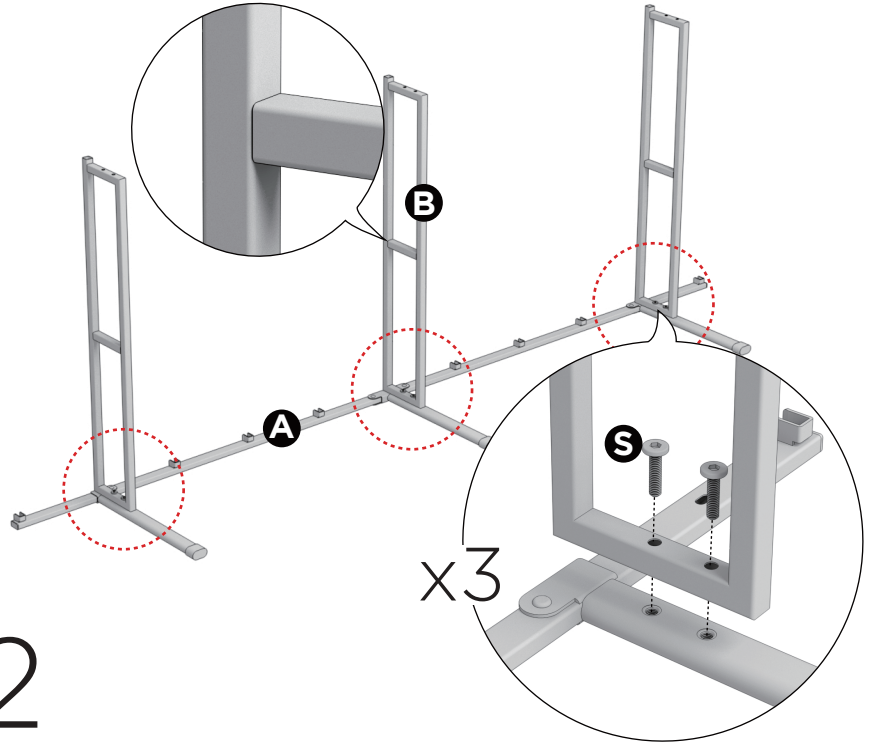
x2

3



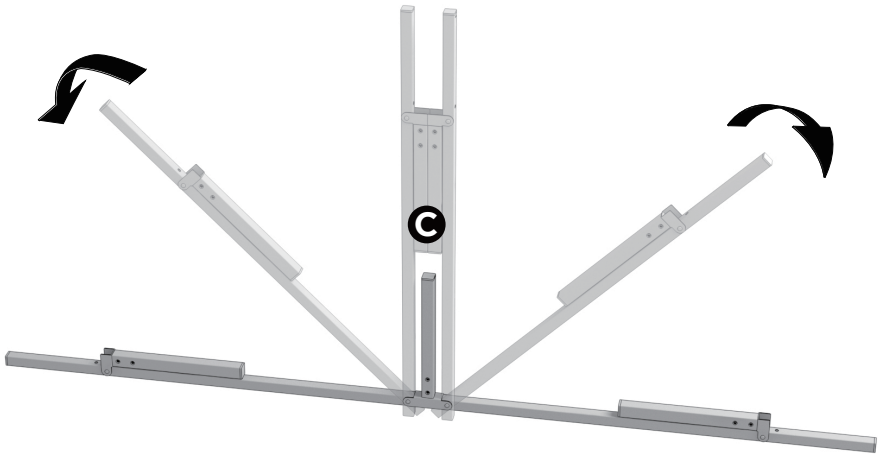
x2

4



x2

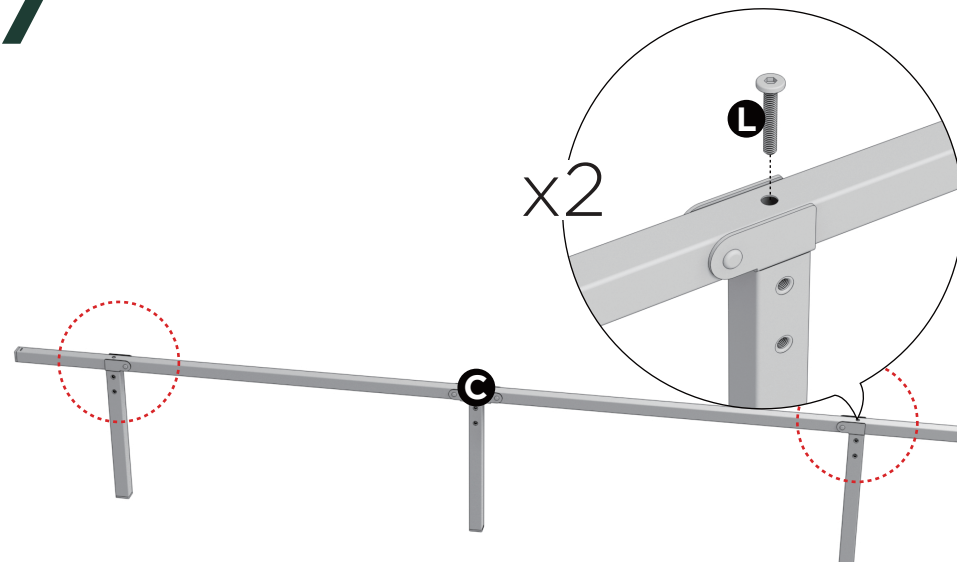
5



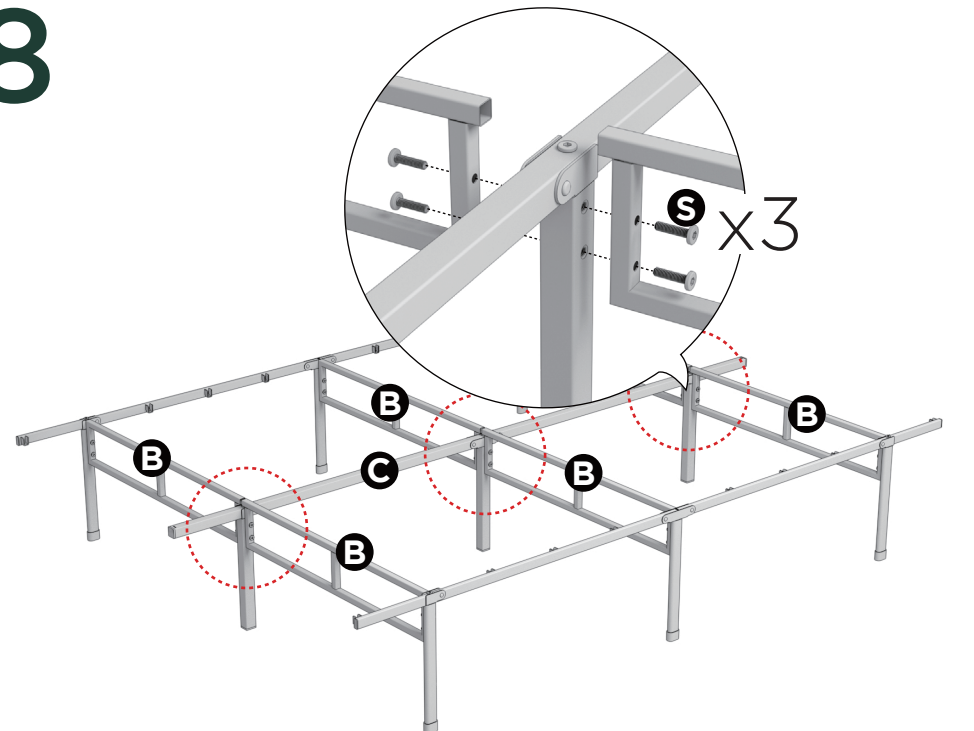
6



7



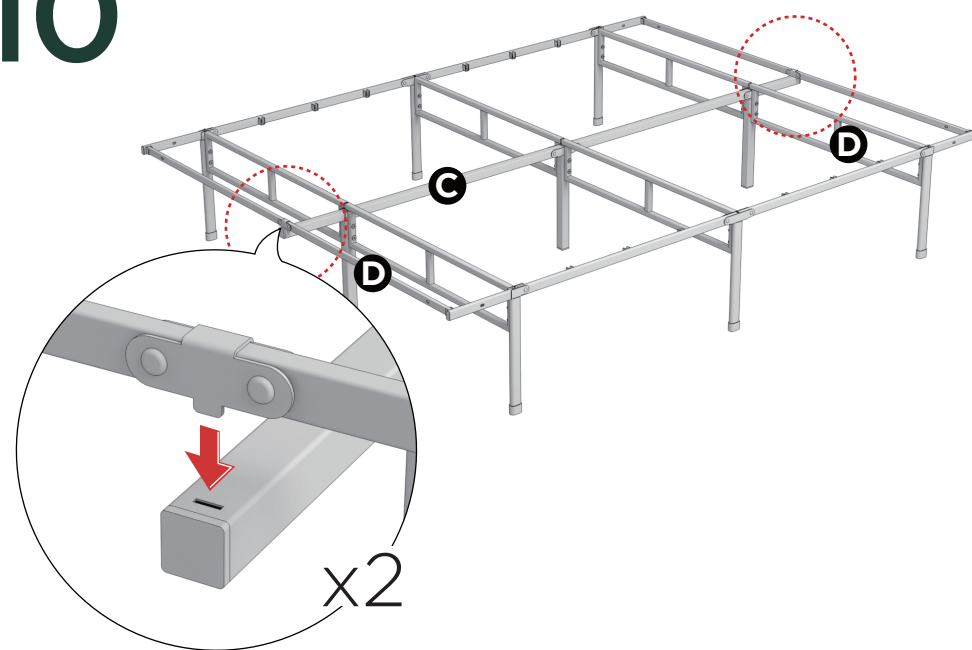
8



9



10



11



12

