

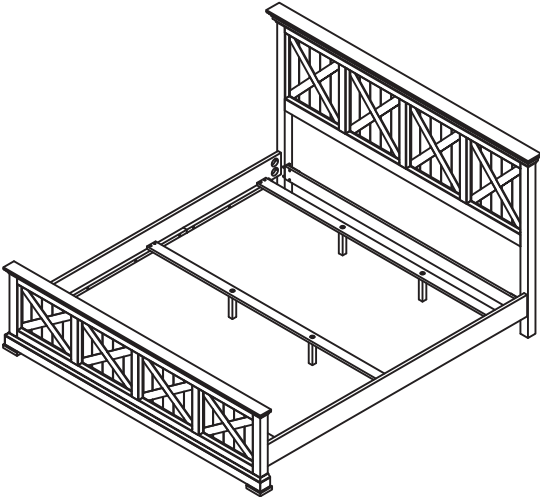
King Bed Rails

IMPORTANT

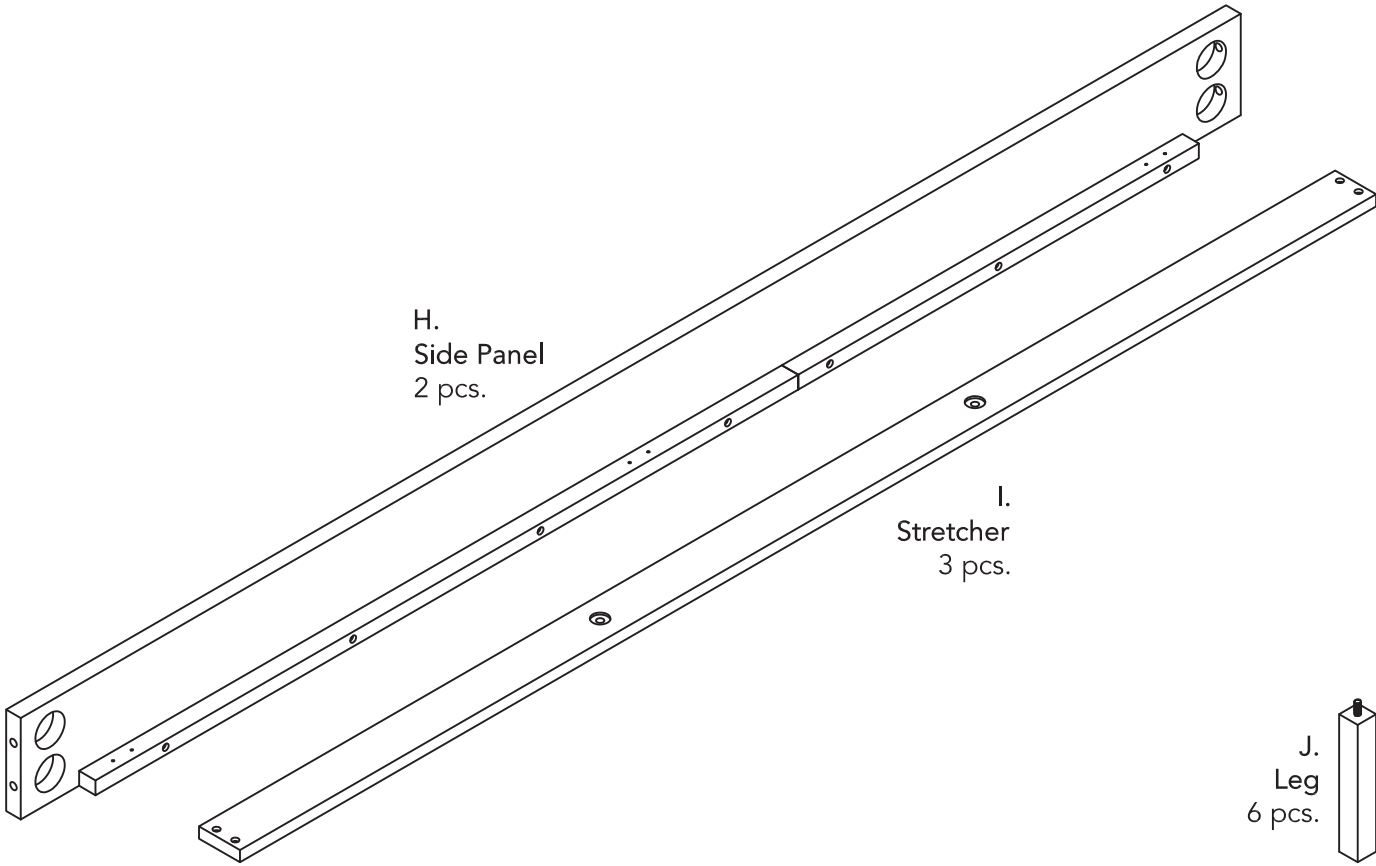
Carefully remove all the parts from the carton and place them individually on a soft cloth to prevent scratches or other damage.

Carefully and strictly follow these assembly instructions to ensure a completed product as designed.

Do not use power tools above 8 volts to assemble.



Part List



Hardware List



5/16"x3 5/32"
Bolt
8 pcs. (+1 extra)



Square Washer
8 pcs. (+1 extra)



Nut
8 pcs. (+1 extra)



M4x25
Wood Screw
12 pcs. (+1 extra)



Wrench
1 pc.

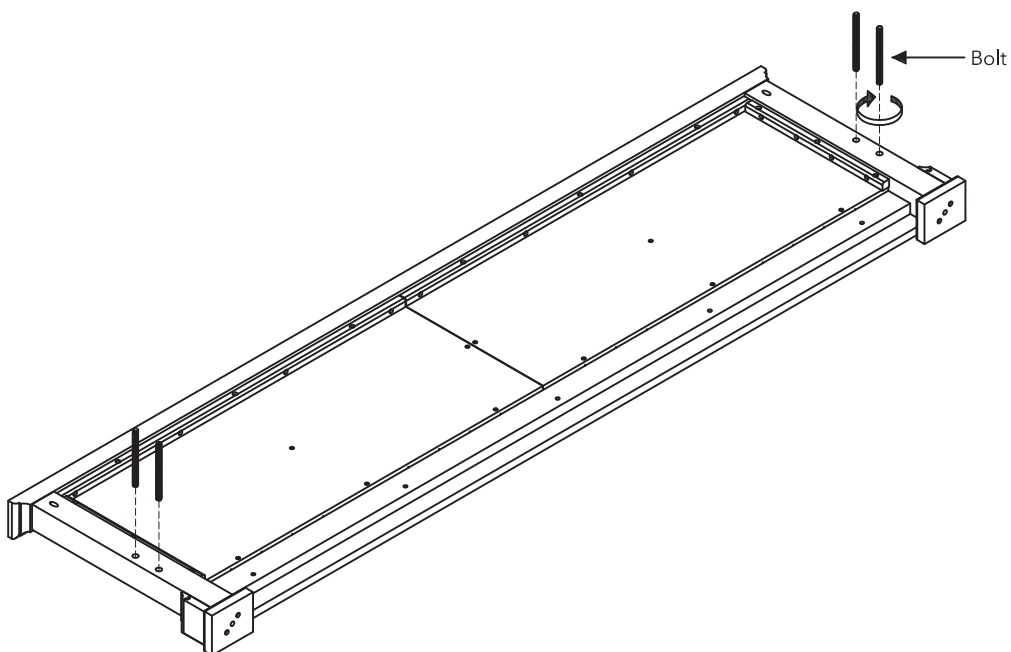
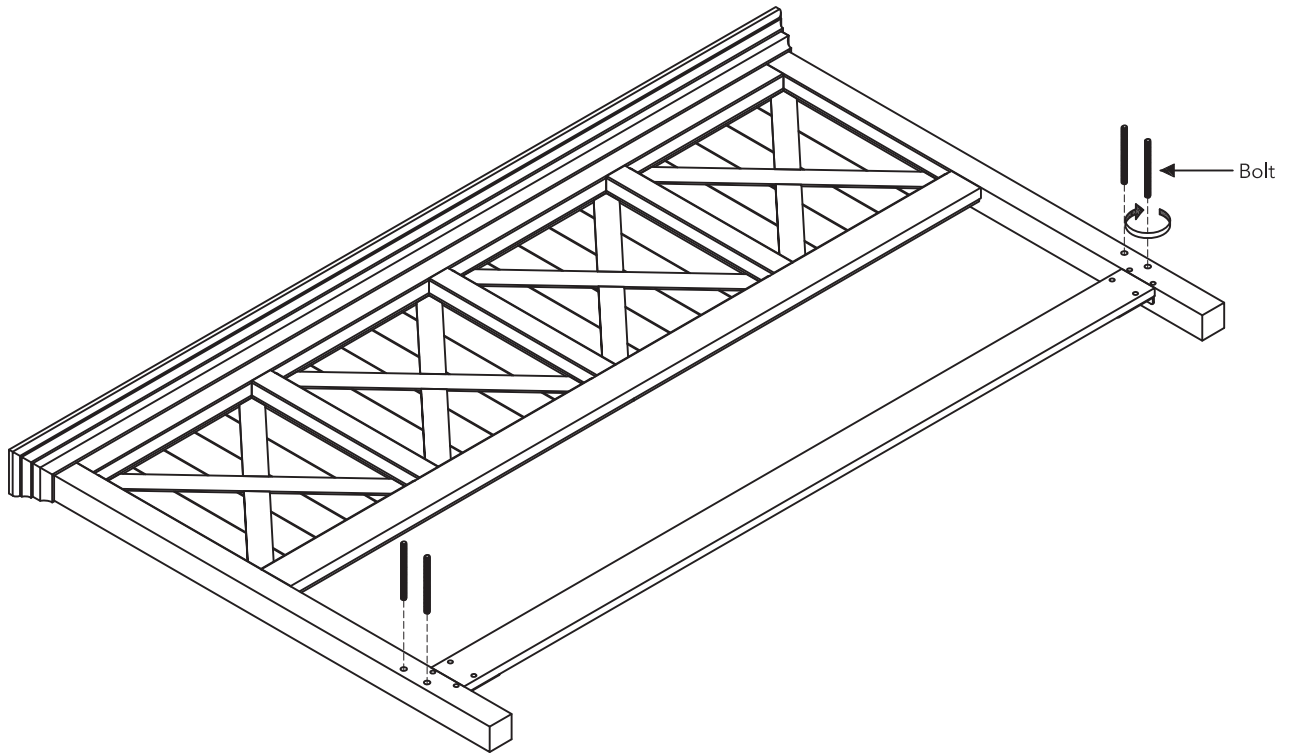
Cartons 5523-601 and 602 are also needed for assembly.

Tool(s) required for assembly: Phillips screwdriver, Level

Assembly Instructions 2/3

IMPORTANT

- Use a soft cloth between these parts and the floor.
- Do not use power tools above 8 volts to assemble.
- Do not tighten all the bolts until each part is properly assembled.
- The unit must be level to work properly. Use the included adjustable levelers to level.
- Keep Wrench as the Nuts may need to be tightened in the future.
- Do not slide bed on floor. To move assembled bed requires two people. Remove any bedding, then lift and carry bed.



STEP 1

Insert Bolts into pre-drilled holes in Headboard and Footboard, then tighten.

Assembly Instructions 3/3

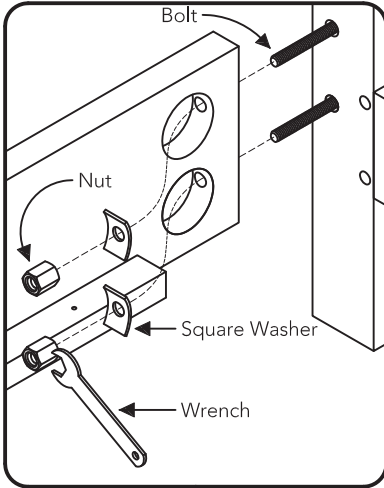
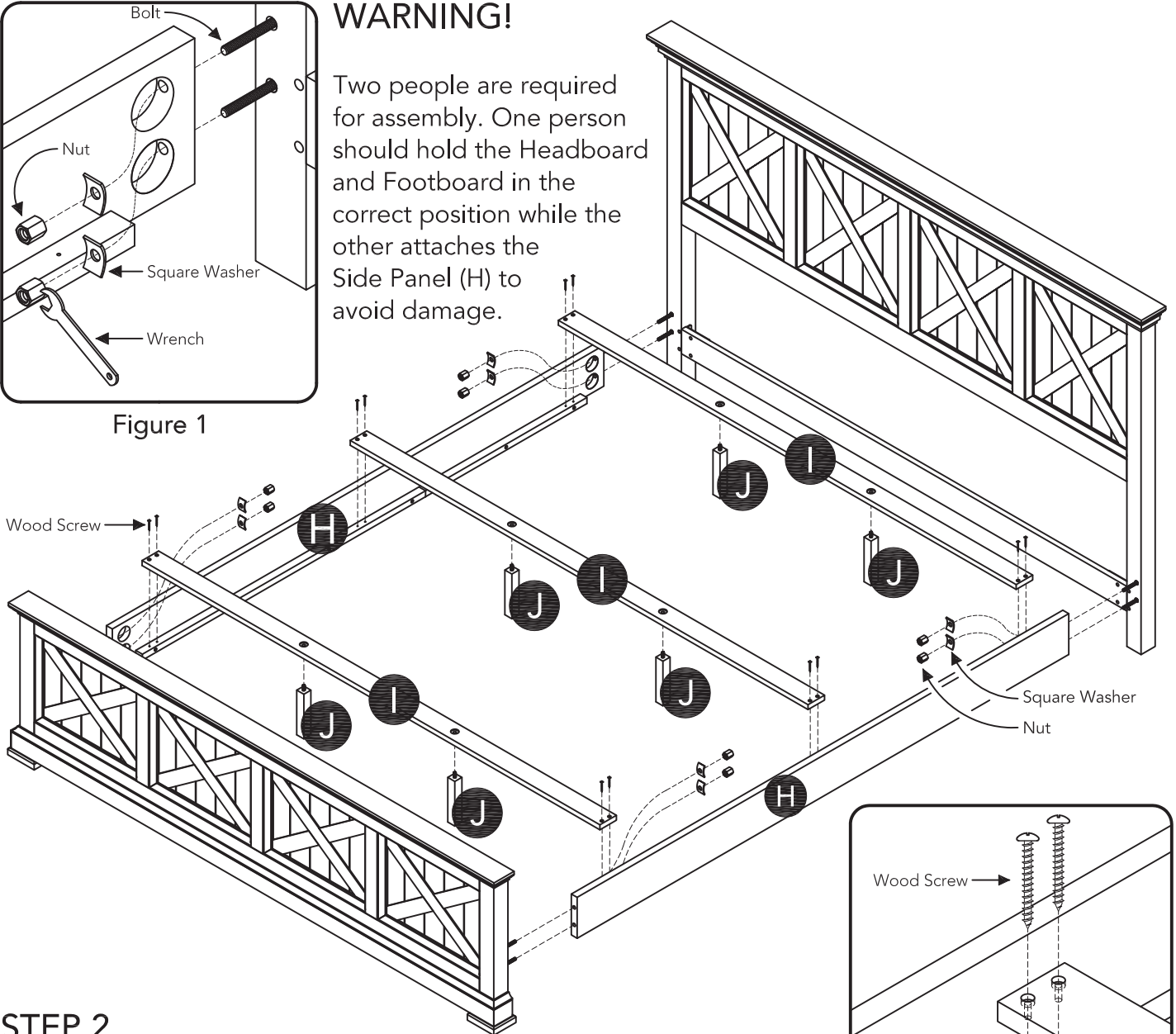


Figure 1

WARNING!

Two people are required for assembly. One person should hold the Headboard and Footboard in the correct position while the other attaches the Side Panel (H) to avoid damage.



STEP 2

Attach Side Panels (H) to Headboard and Footboard with Square Washers and Nuts.

Tighten all Nuts with Wrench. (See Figure 1)

Insert Legs (J) into pre-drilled holes in Stretches (I) and tighten.

Attach Stretches (I) to unit with Wood Screws into pre-drilled holes. (See Figure 2)

Level unit by adjusting the adjustable levelers on bottom of legs. (See Figure 3)

Note: Unit must be level to work properly.

Note: Do not slide bed on floor. To move assembled bed requires two people. Remove any bedding, then lift and carry bed.

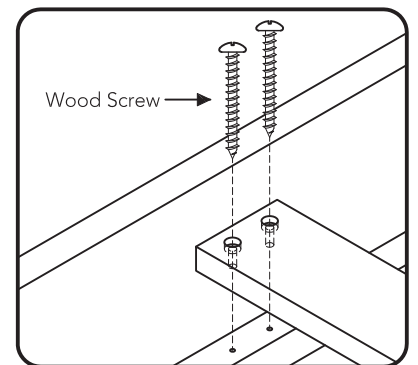


Figure 2

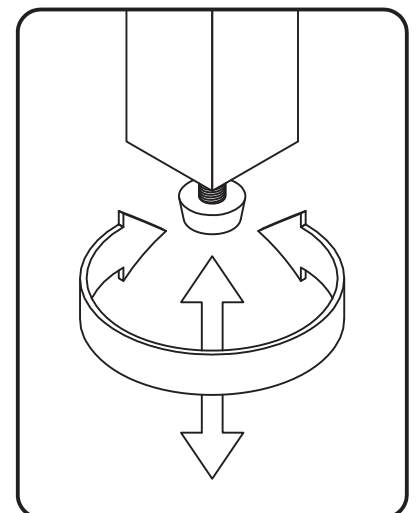


Figure 3

CARE INSTRUCTIONS

NEVER

allow liquids to remain on furniture.
Absorption causes parts to warp
and split and finishes to delaminate.

NEVER

use glass cleaners on
finished furniture. Ammonia
chemically attacks the finish.



Do not use power tools
above 8 volts to assemble.

**PREVENT
CRACKING**



Do not place
in direct sunlight.

**PREVENT
FADING**



Do not write
directly on surface.

**PREVENT
MARKING**



Do not place hot
objects on surface.

**PREVENT
FINISH DAMAGE**



Do not use rubber
based placemats.

**PREVENT
DISCOLORING**



Do not use commercial
waxes and polishes.

**PREVENT
YELLOWING**

CLEAN

with a soft cloth moistened
in lukewarm soap and water.
Buff with a dry clean cloth.



We will provide replacements free of charge for missing or damaged parts within 30 days of purchase. Digital images of the defective parts may be required. If the product was not purchased from an authorized retailer, We are under no obligation to provide replacement parts. Parts are not available for fully assembled items nor are parts available for sale. Replacements for missing or damaged parts may be requested via contact info below.