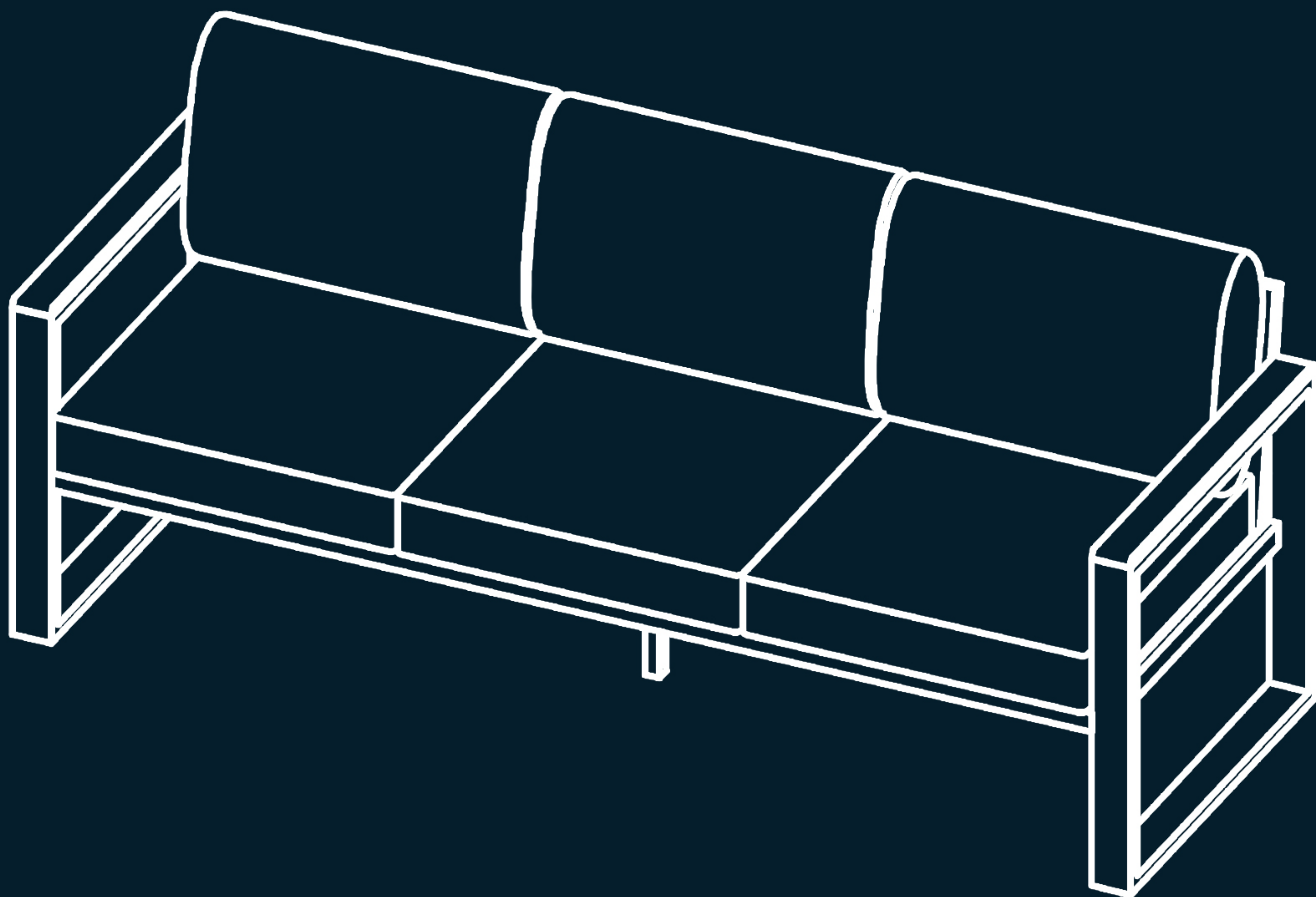
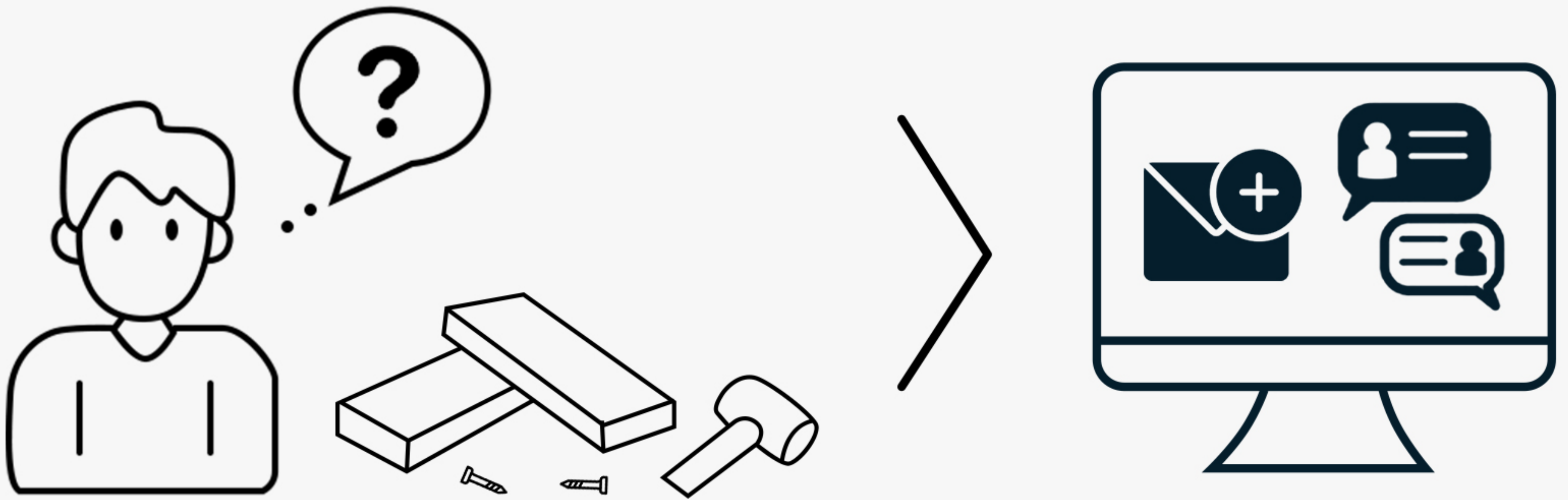


# INSTRUCTION MANUAL



Sofa


OACS-003-GY/ OACS-003-NY




**Questions? Comments?  
Reach out to us for expert support!**

 [service@sundaleoutdoor.com](mailto:service@sundaleoutdoor.com)

 [sundaleoutdoor.com](http://sundaleoutdoor.com)

 (626) 899-5788

 2080 S Cucamonga Ave,  
Ontario, CA 91761

Follow sundaleoutdoor on





## **READ & SAVE BELOW INSTRUCTIONS BEFORE ASSEMBLY**

- Please separate and identify all parts, making sure that you have all of the parts listed.
- To avoid any scratch during assembly, please assemble on a soft mat or similar.
- Please assemble step by step and follow the instructions.
- Washers must be used.
- Do not completely fasten each screw and nut until all the screws are properly fixed.

## **WARRANTY**

- Thank you for purchasing our outdoor furniture, We are pleased to offer a one-year warranty on the quality of the product. This warranty covers any manufacturing defects or malfunctions that may occur within the first year of ownership.
- Exclusions: The warranty does not cover damages resulting from misuse , negligence, accidents, normal wear and tear, unauthorized repairs or modifications, improper assembly, or failure to adhere to the care and maintenance guidelines provided.

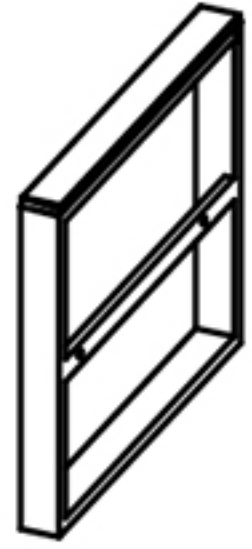
## **MAINTENANCE AND CARE**

- Protect it from extreme weather by moving it to a covered area or using furniture covers.
- Avoid dragging heavy objects on the furniture to prevent damage.
- Regularly inspect for wear or damage and address any issues promptly.
- Check and tighten hardware connections periodically.
- Keep packaging until assembly is complete to avoid losing small parts.
- Use a damp cloth with warm soapy water or a suitable cleaning product to clean the furniture.
- Ensure proper drying after cleaning to prevent mold growth.

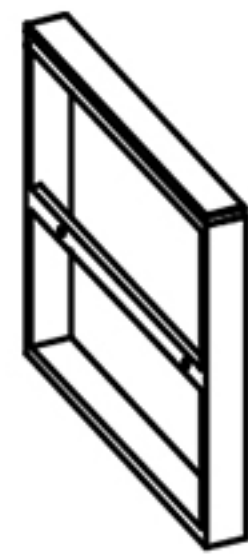
# PARTS

- Carefully unpack all components and verify that all necessary parts are included in the package before assembling. Assemble the furniture in the order specified to ensure proper alignment and installation.
- If any difficulty occurs during assembly, please contact our customer support.

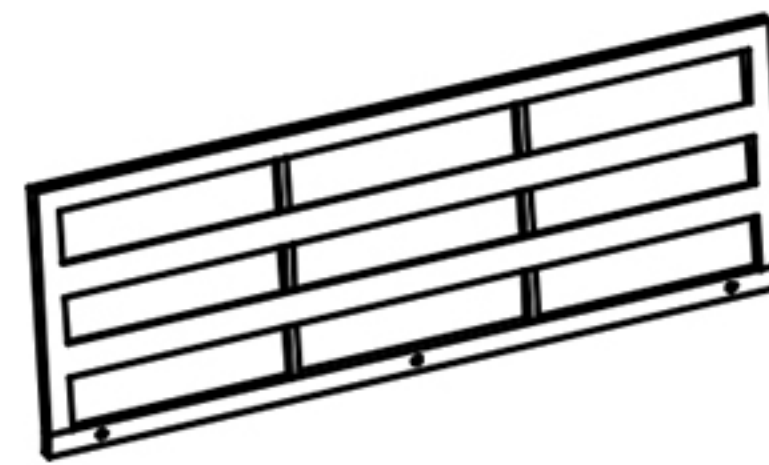
## PARTS



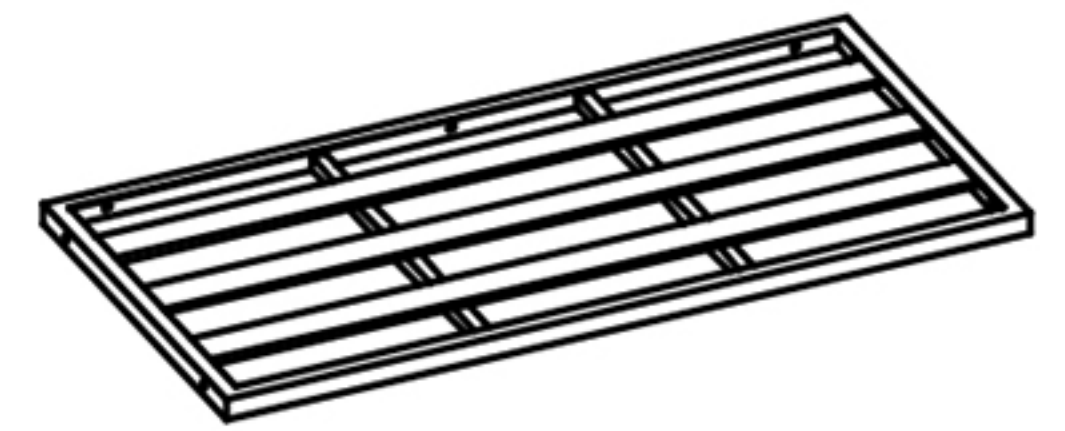
Right Armrest  
Ax1



Left Armrest  
Bx1



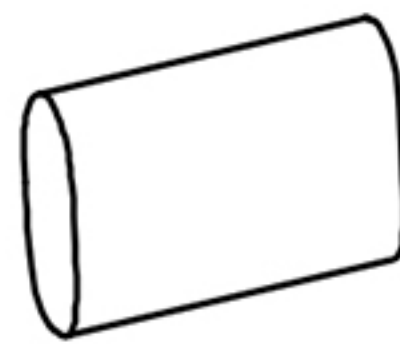
Seat Back  
Gx1



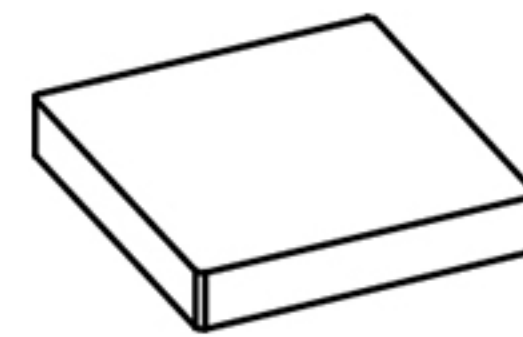
Seat Plate  
Hx1



Support leg  
Kx1



Back Cushion  
Jx3

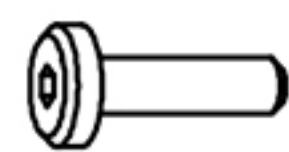


Seat Cushion  
Ix3

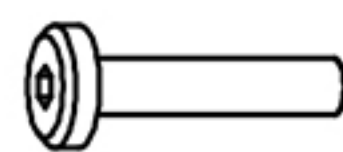
## HARDWARE



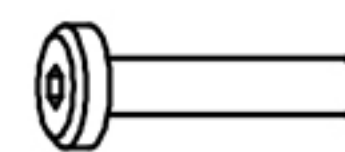
Height Adjustment  
Screw  
Qx4



Bolt M6\*32MM  
Sx8



Bolt M6\*55MM  
Tx2



Bolt M6\*15MM  
Rx4

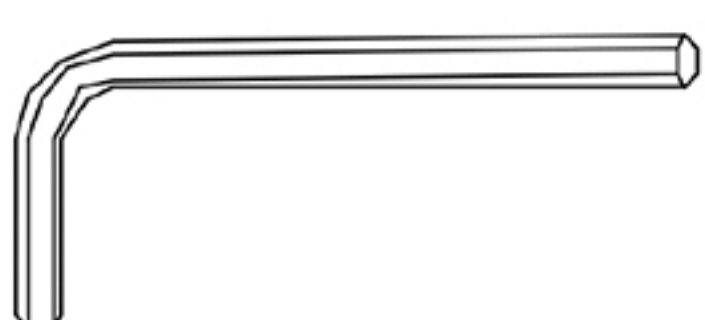


Washer  
Ux14



Cap  
Vx14

## TOOL



Allen Wrench



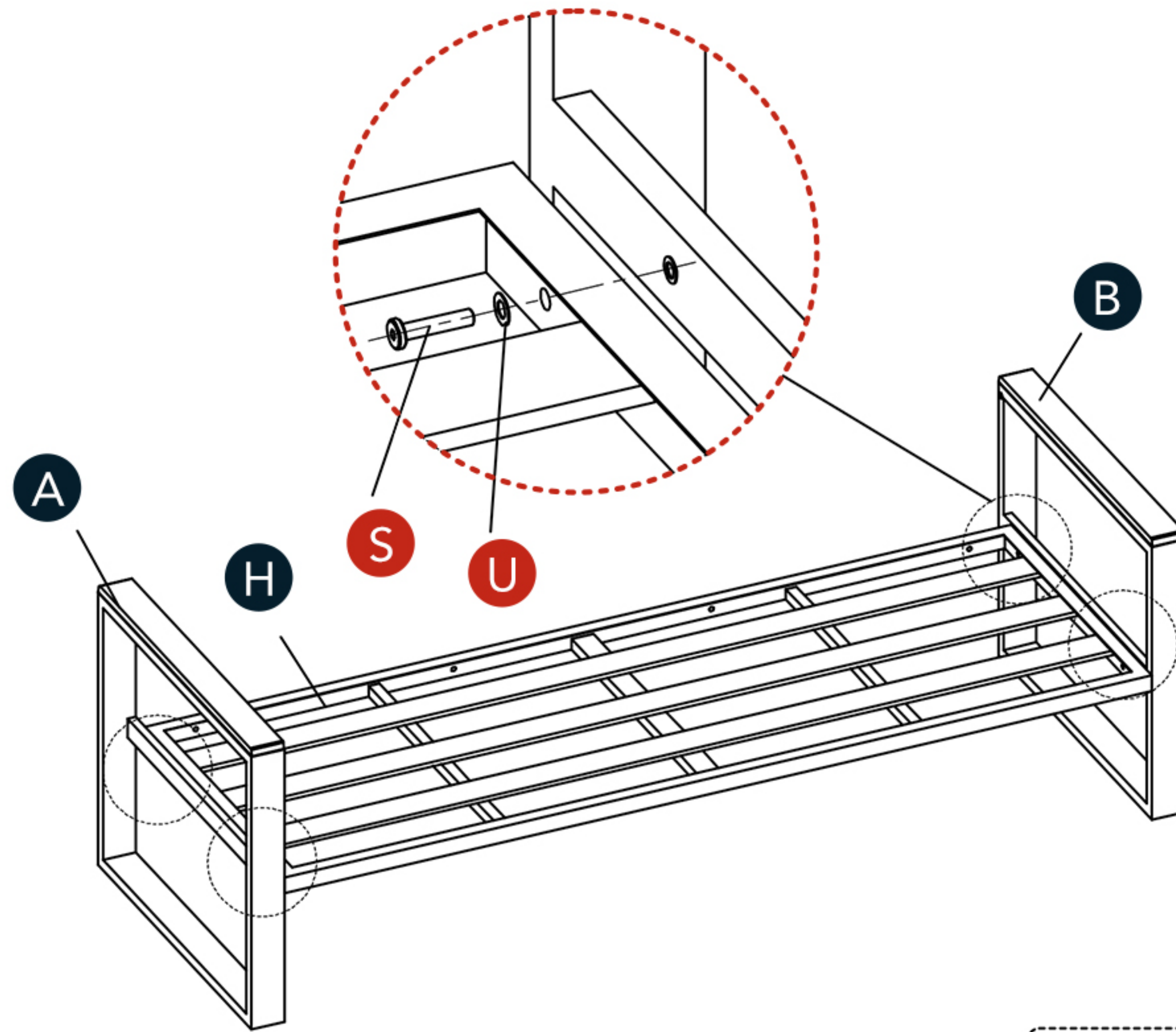
1 PERSON  
ASSEMBLY



UP TO 15 MIN.  
ASSEMBLY

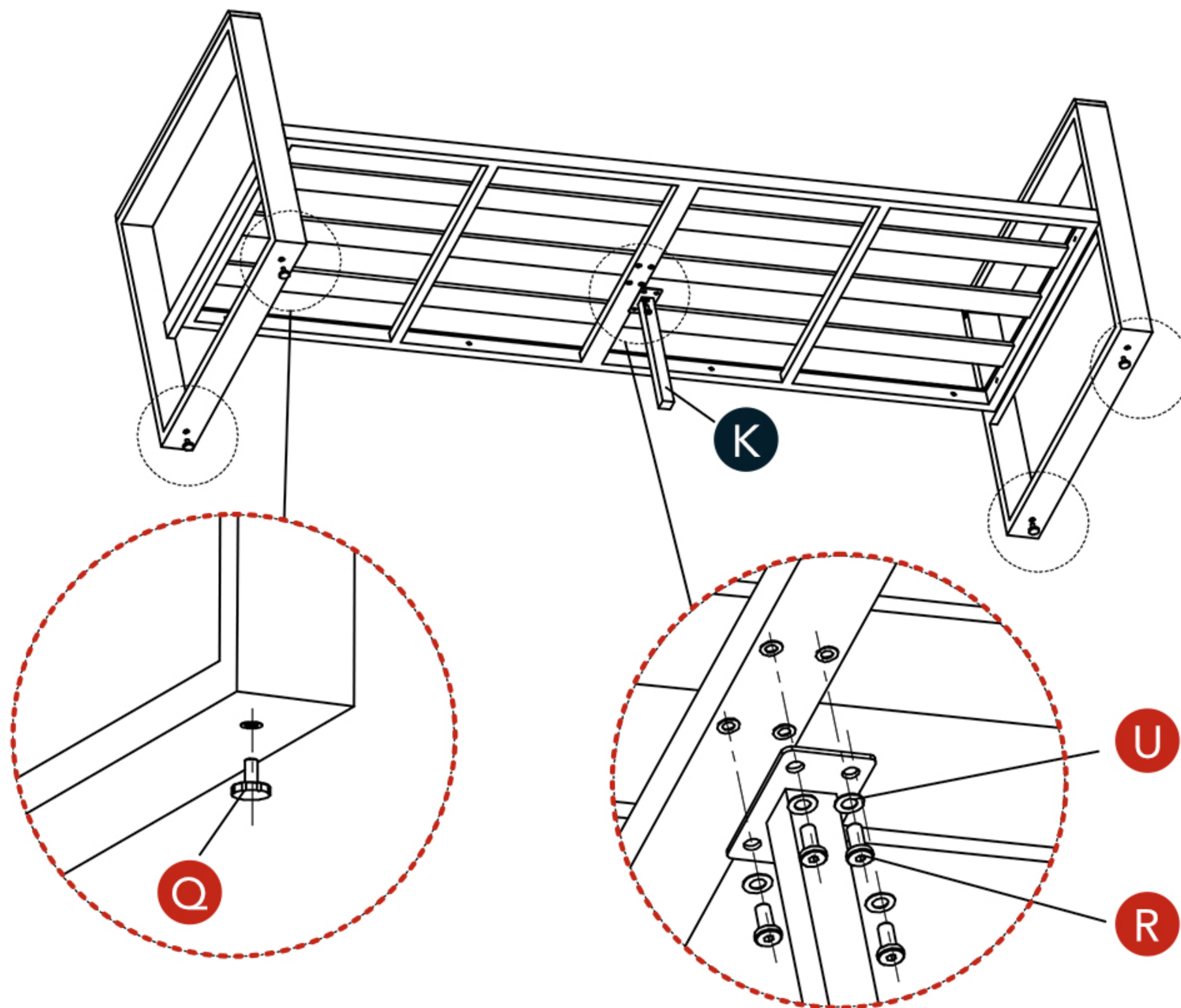
# ASSEMBLY

Note: Do not fully tighten screws, tighten the screws only after all components are installed.



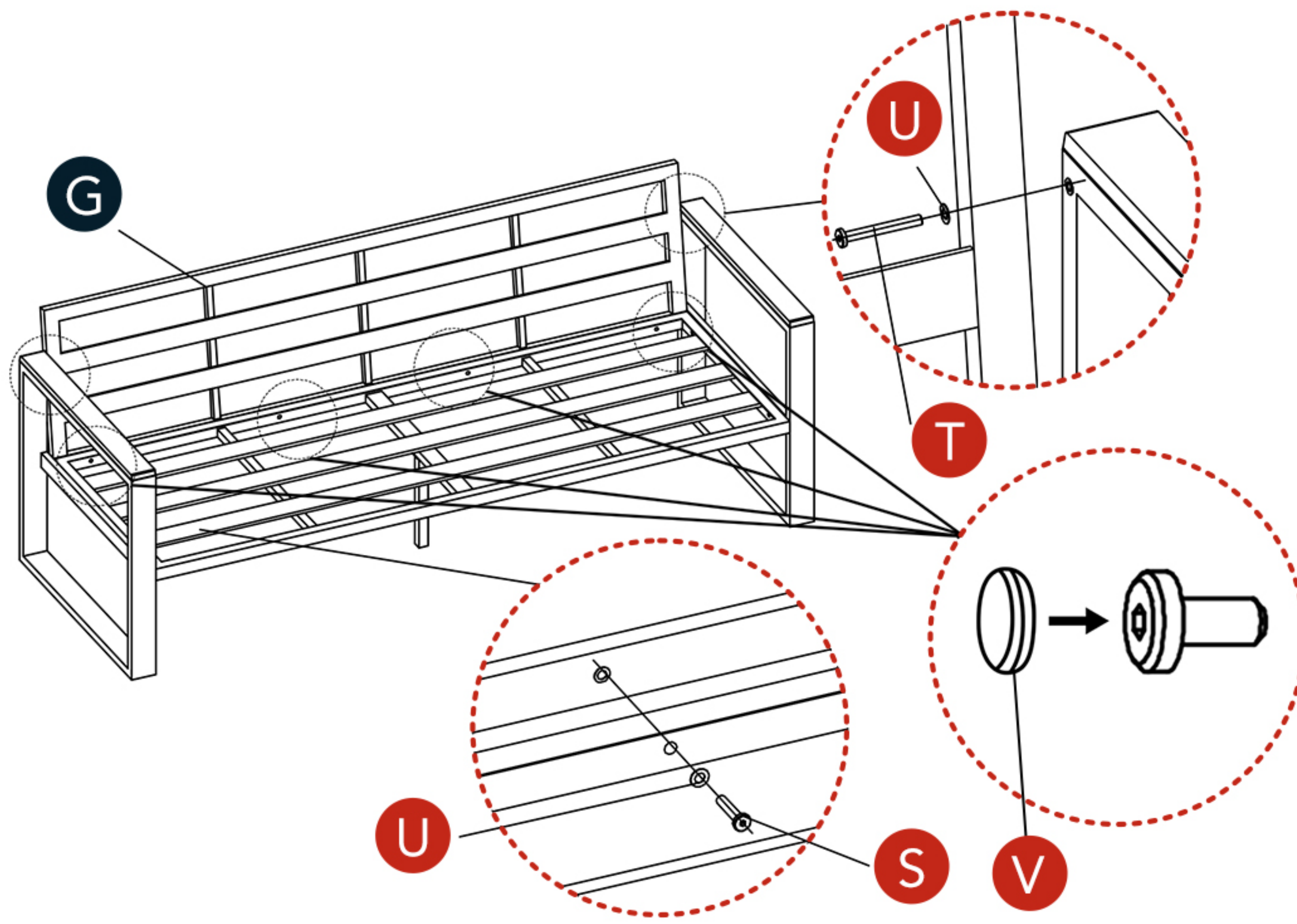
**1** Attach the Seat Plate to the Left and Right Armrest using Bolt M6\*32MM[S] & Washer[U].

<b>A</b> x1	<b>H</b> x1	<b>B</b> x1
<b>S</b> x4	<b>U</b> x4	



**2** -Install the Height Adjustment Screw[Q].  
-Attach the Support Leg and Seat Plate with the Bolt M6\*15MM[R] & Washer[U].

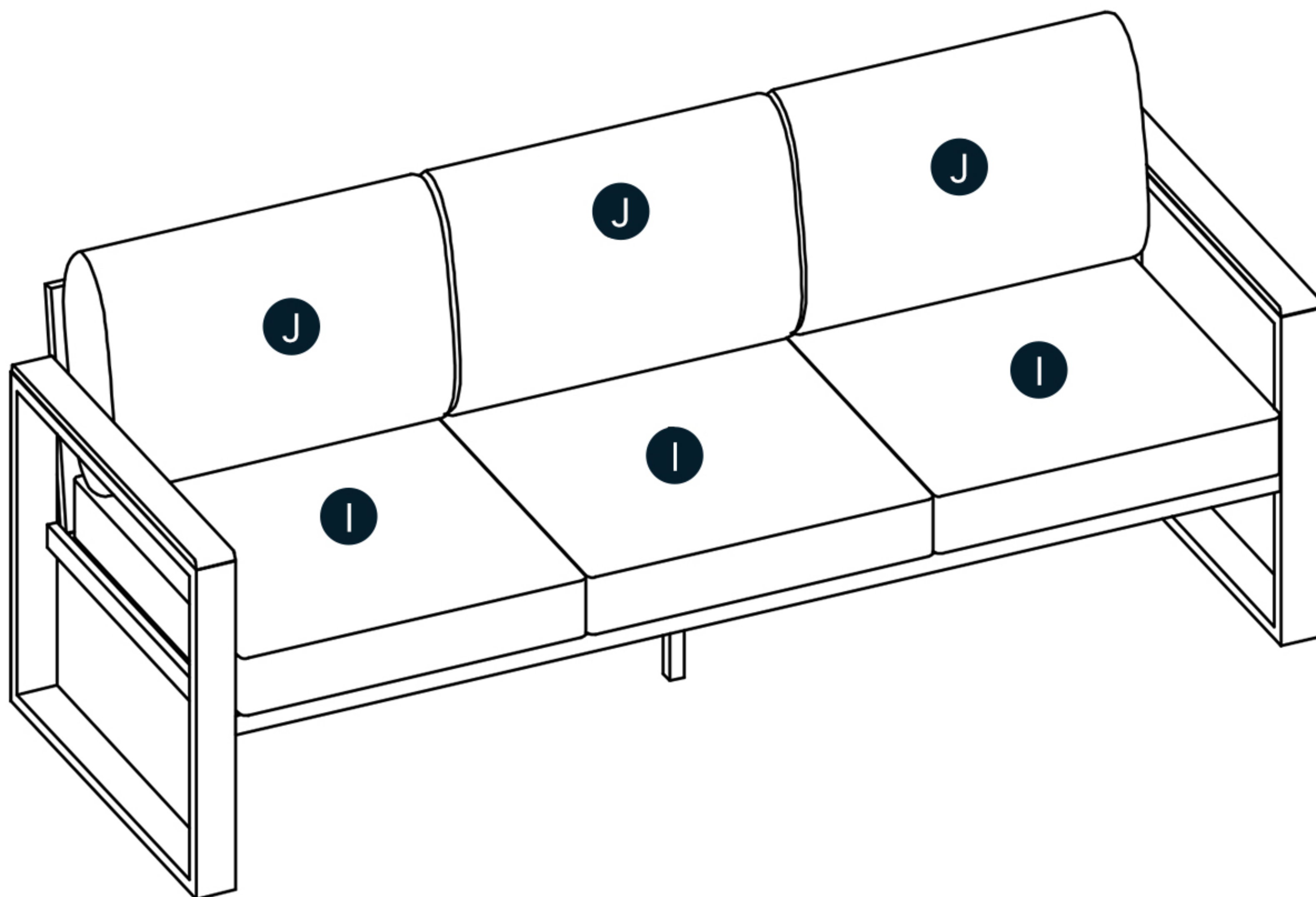
<b>Q</b> x4	<b>R</b> x4
<b>U</b> x4	<b>K</b> x1



3

- Attach the Seat Back to the Left/Right Armrest with the Bolt M6\*55MM[T] & Washer[U].
- Attach the Seat Back and Seat Plate with the Bolt M6\*32MM[S] & Washer[U].
- Install the Cap[V].

U x6 T x2 S x4  
V x14 G x1



4

Put the Seat Cushion[I] and Back Cushion[J].

I x3 J x3

# Olefin furnishing fabric: Everything you ever needed to know

Olefin is a man-made fabric that is extremely durable. The fibres are created using heat, pressure, and a catalyst. In fact, olefin often goes by another name: polypropylene. This chemically created fabric is often considered to be more environmentally friendly than cotton, silk, and other natural fibres.

## The advantages of olefin fabrics

**Comfortable.** Olefin fabric is remarkably soft and smooth.

**Durable.** Olefin fabrics are highly durable and is particularly resistant to abrasion.

**Colourfast.** Dyeing is done using a solution during production, giving olefin fabrics incredible colourfastness.

**Mould and mildew resistant.** Olefin fabrics are resistant to mould, chemicals and insects and are easy to clean and maintain.

## What does olefin fabric feel like?

Olefin fabric feels soft and smooth, just like cotton. It's lightweight, breathable, and durable—excellent for outdoor use.

## Olefin furnishing fabric: that's a wrap!

If you're looking for a fabric that can withstand the elements and offers an inviting, easy-to-clean texture, olefin is the answer. Therefore, we are currently using solution-olefin fibres in our Outdoor Furniture ranges.

**QUESTION ABOUT OUR PRODUCT? WE'RE HERE TO HELP.**

————— Contact us at: [service@sundaleoutdoor.com](mailto:service@sundaleoutdoor.com) —————