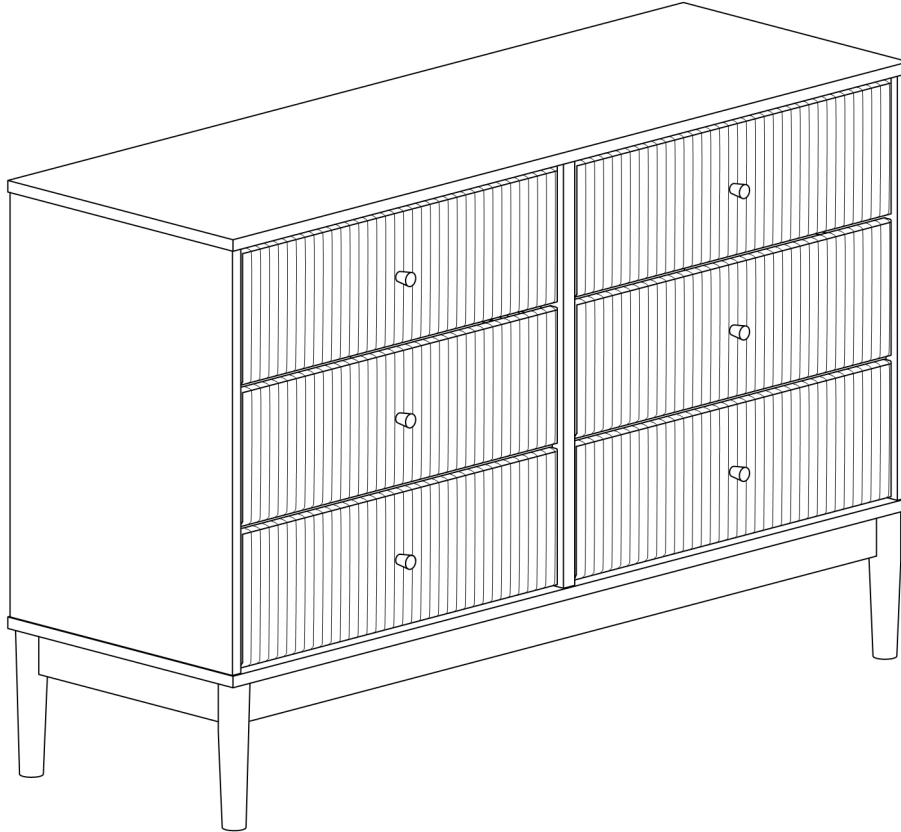
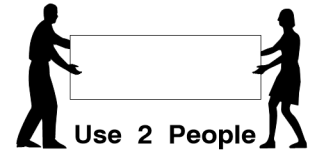


9012 6 Drawer Dresser

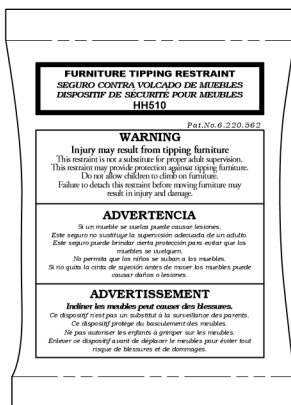
Assembly Instructions

WI-0724



Note: Do not assemble using power tools. This can cause the bolts to be overtightened

WARNING



Anti Tipping Kit
Anti Tipping Kit x 1



Children have died from furniture tipover.

To reduce the risk of furniture tipover:

- ALWAYS install anti-tip device provided.
- NEVER put a TV on this product.
- NEVER allow children to stand, climb, or hang on any drawers, doors or shelves.
- NEVER open more than one drawer at a time.
- DO NOT defeat or remove the drawer interlock system; it is an important stability and safety system.
- Place heaviest items in the lowest drawer.

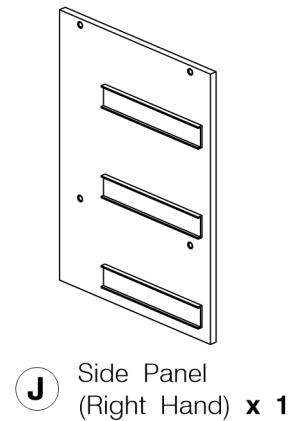
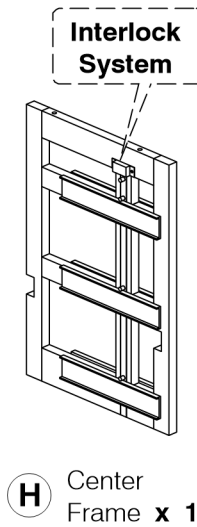
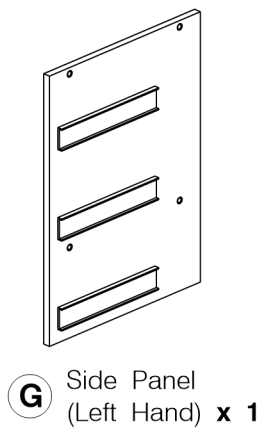
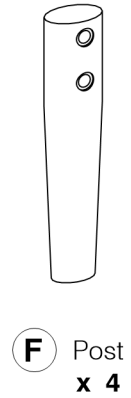
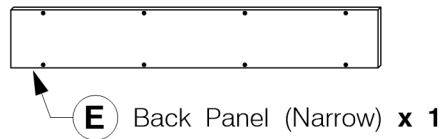
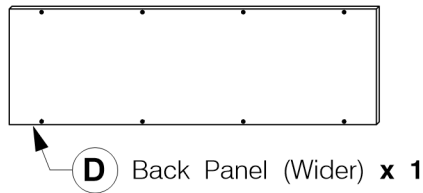
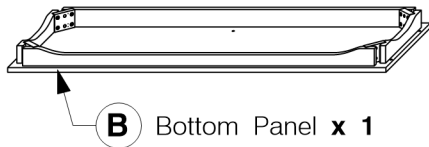
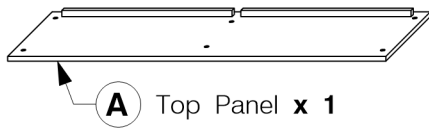
9012 6 Drawer Dresser

Assembly Instructions

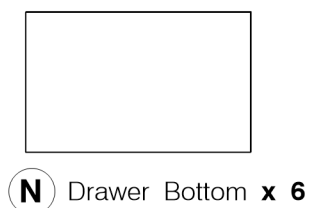
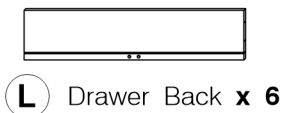
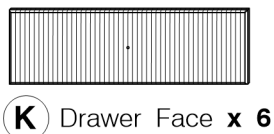
WI-0724

1 Parts List

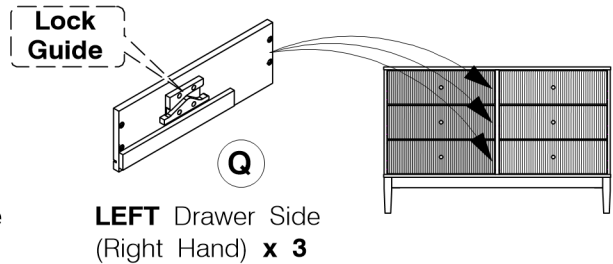
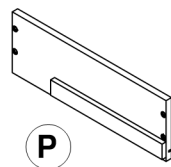
Parts in Box A:



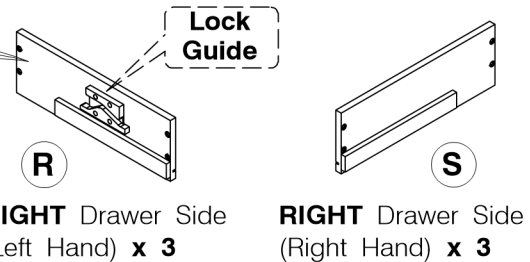
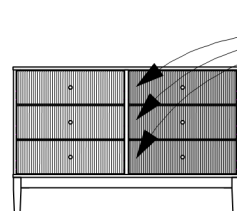
Parts in Box B:



Parts for LEFT Side Drawer



Parts for RIGHT Side Drawer

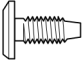

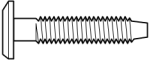
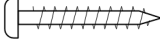
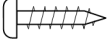


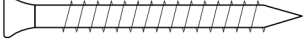



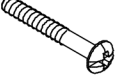
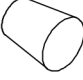



9012 6 Drawer Dresser

Assembly Instructions

WI-0724

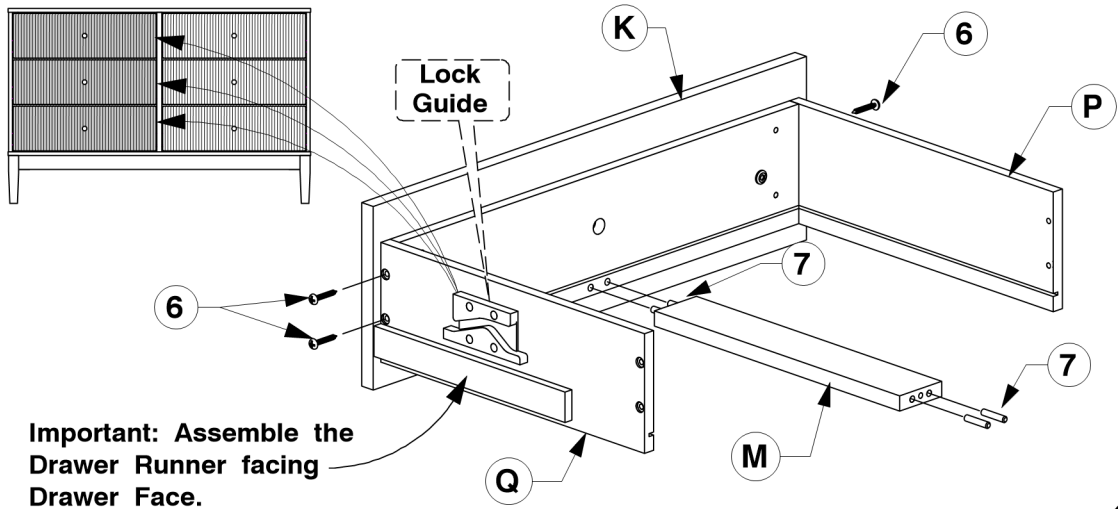
2 Hardware List

- | | | | | |
|---|---|--|---|---|
|  |  |  |  |  |
| 1 M6 x 15mm JCB
x 16 | 2 M6 x 60mm JCB
x 10 | 3 M6 x 30mm JCB
x 2 | 4 Wood Screw (M4 x 32mm)
x 16 | 5 Wood Screw (M4 x 20mm)
x 24 |
|  |  |  |  | |
| 6 Wood Screw (M4 x 25mm)
x 60 | 7 M6 x 25mm Wood Dowel
x 24 | 8 CSK Cap Wood Screw (M6 x 60mm)
x 6 | 9 'L' Bracket (5005-3)
x 8 | |
|  |  |  |  |  |
| 10 Spring Washer x 8 | 11 Flat Washer x 8 | 12 M4 x 22mm Wood Screw x 6 | 13 Handle (1005) x 6 | 14 Allen Key x 1 |

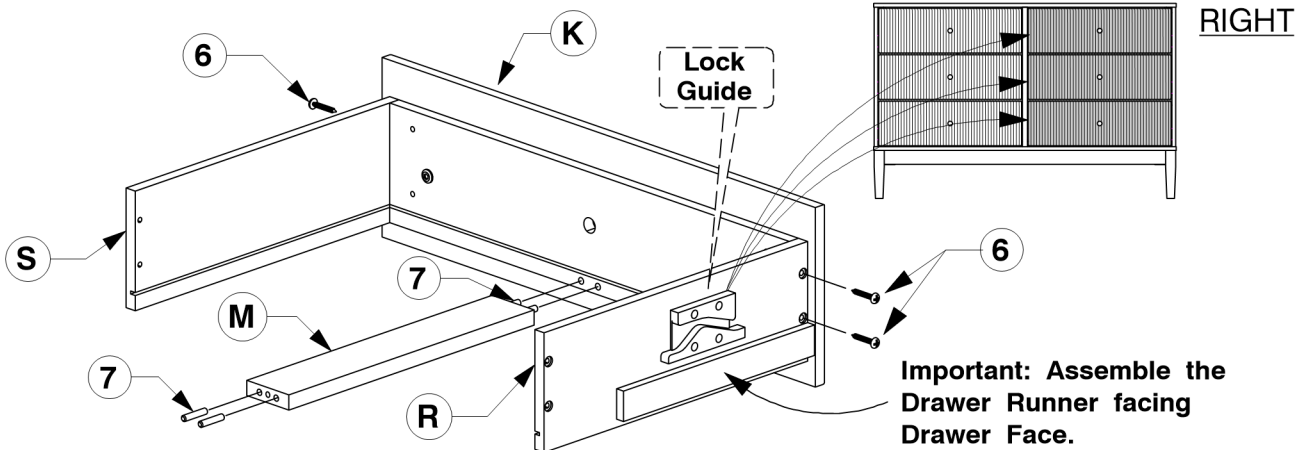
3 Assemble the Drawers.

STEP 3.1

LEFT



X 3



X 3

RIGHT

9012 6 Drawer Dresser

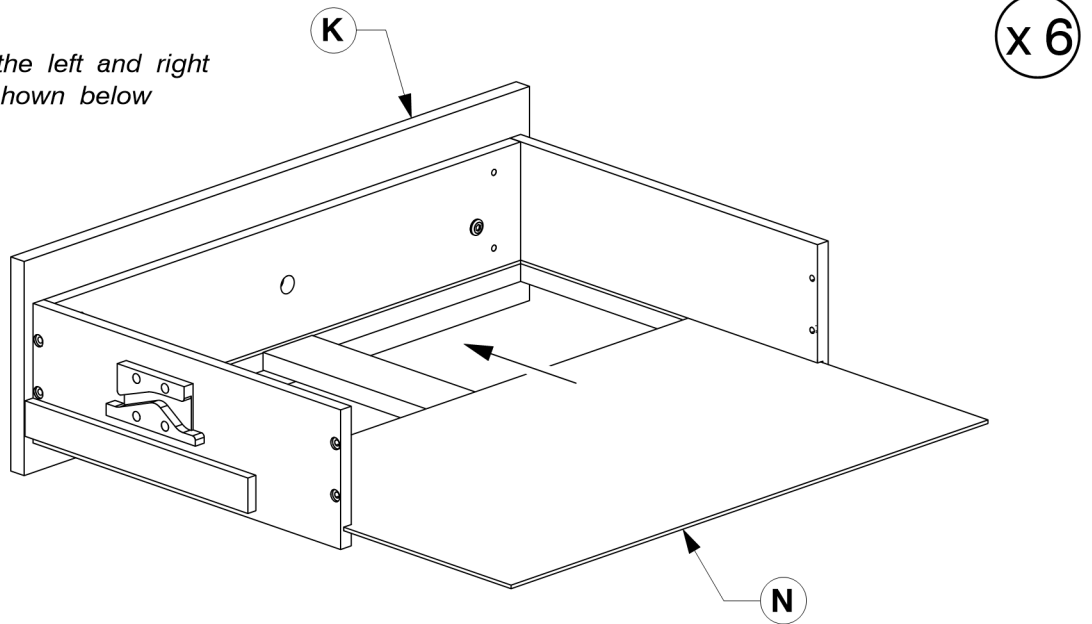
Assembly Instructions

WI-0724

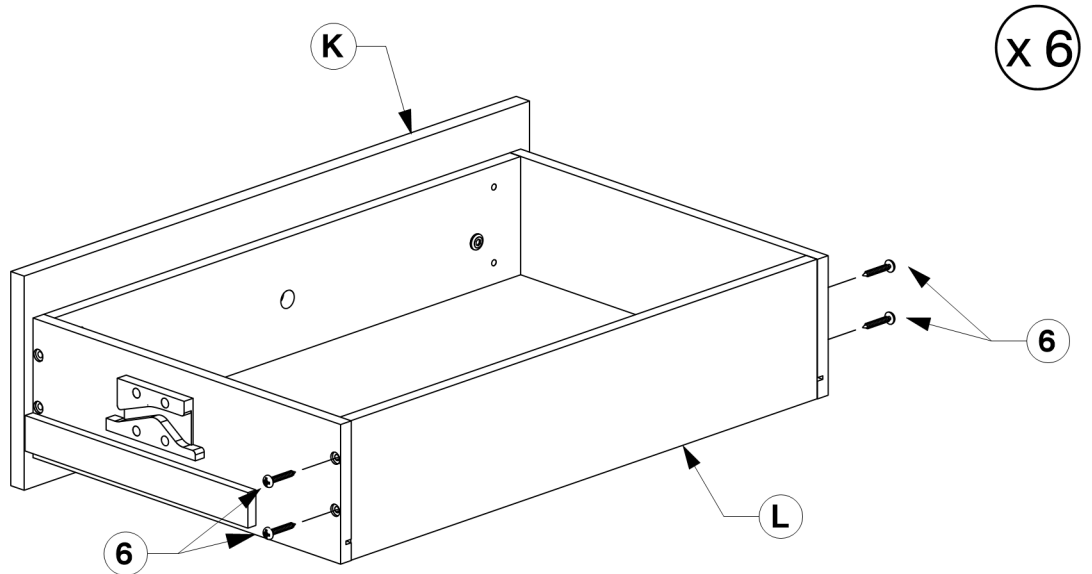
3 Assemble the Drawers.

STEP 3.2

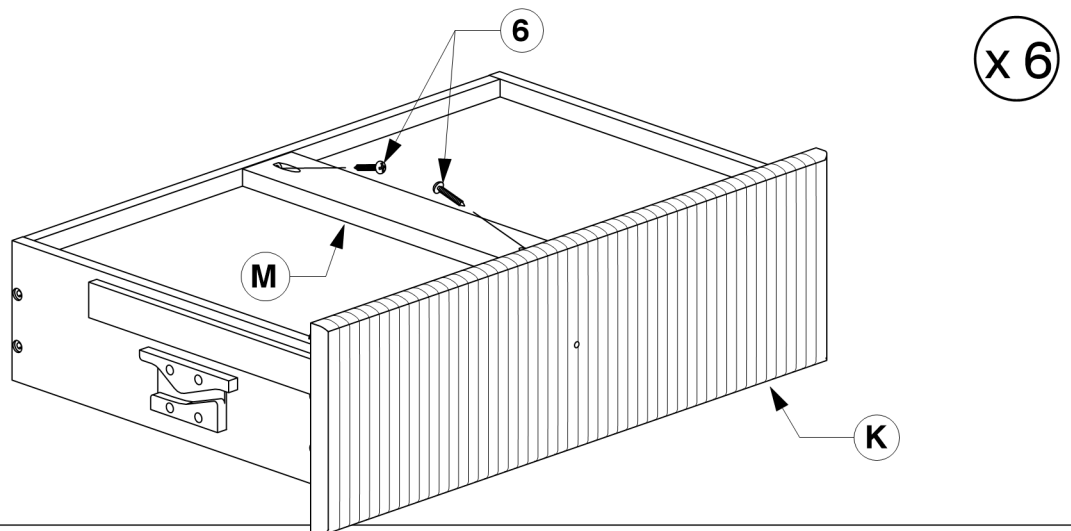
* 3 Assemble the left and right drawers as shown below



STEP 3.3



STEP 3.4

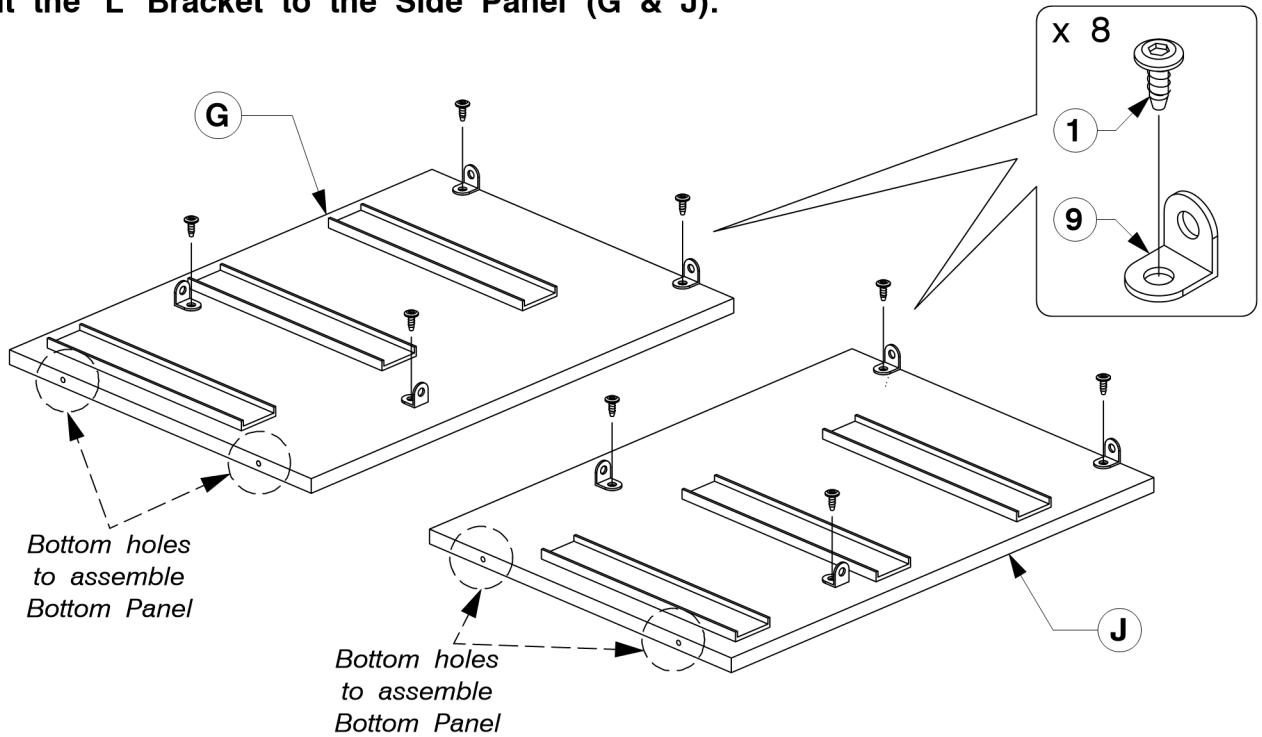


9012 6 Drawer Dresser

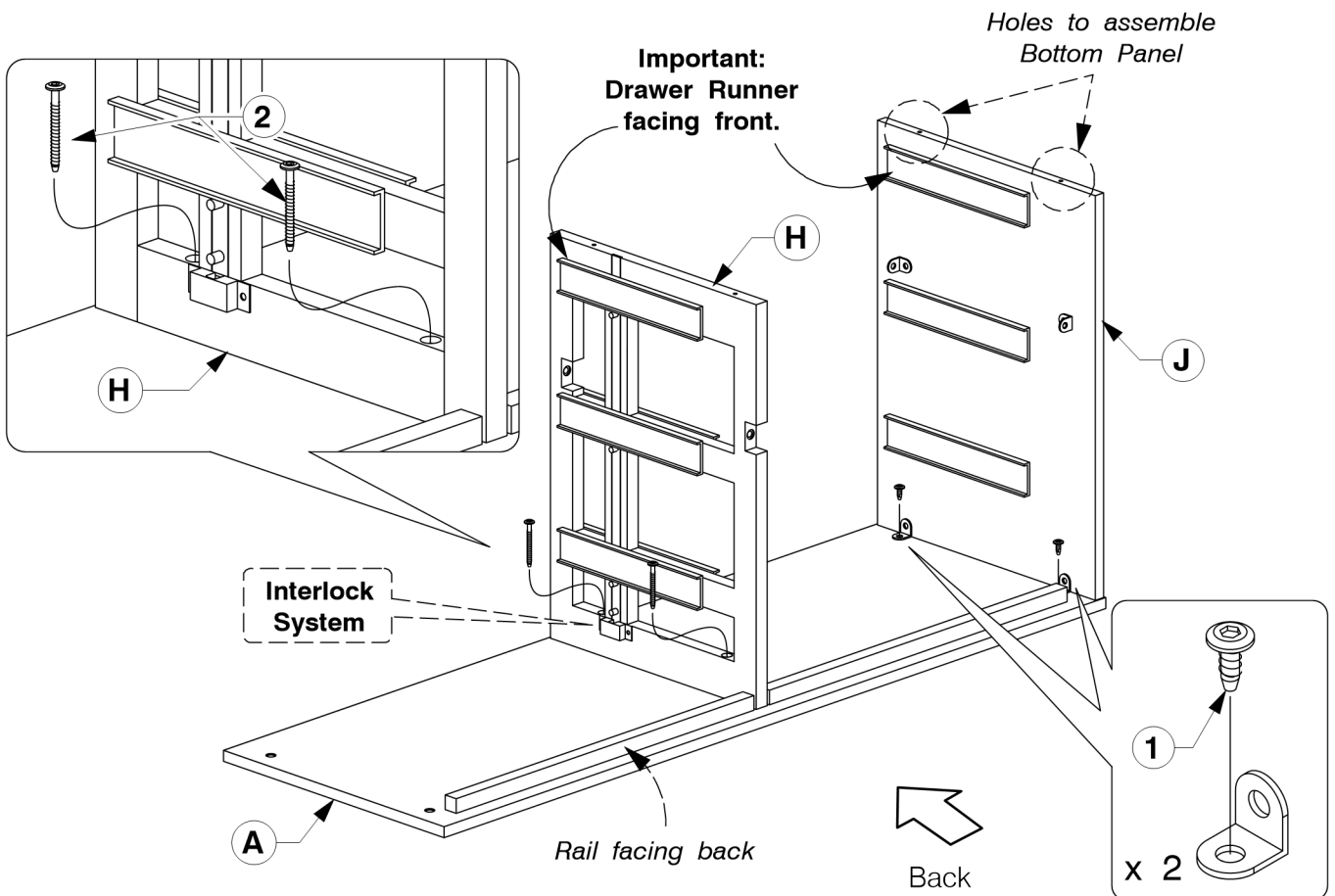
Assembly Instructions

WI-0724

4 Fit the 'L' Bracket to the Side Panel (G & J).



5 Fit the Side Panel- Right Hand (J) & Center Frame (H) to the Top Panel (A).

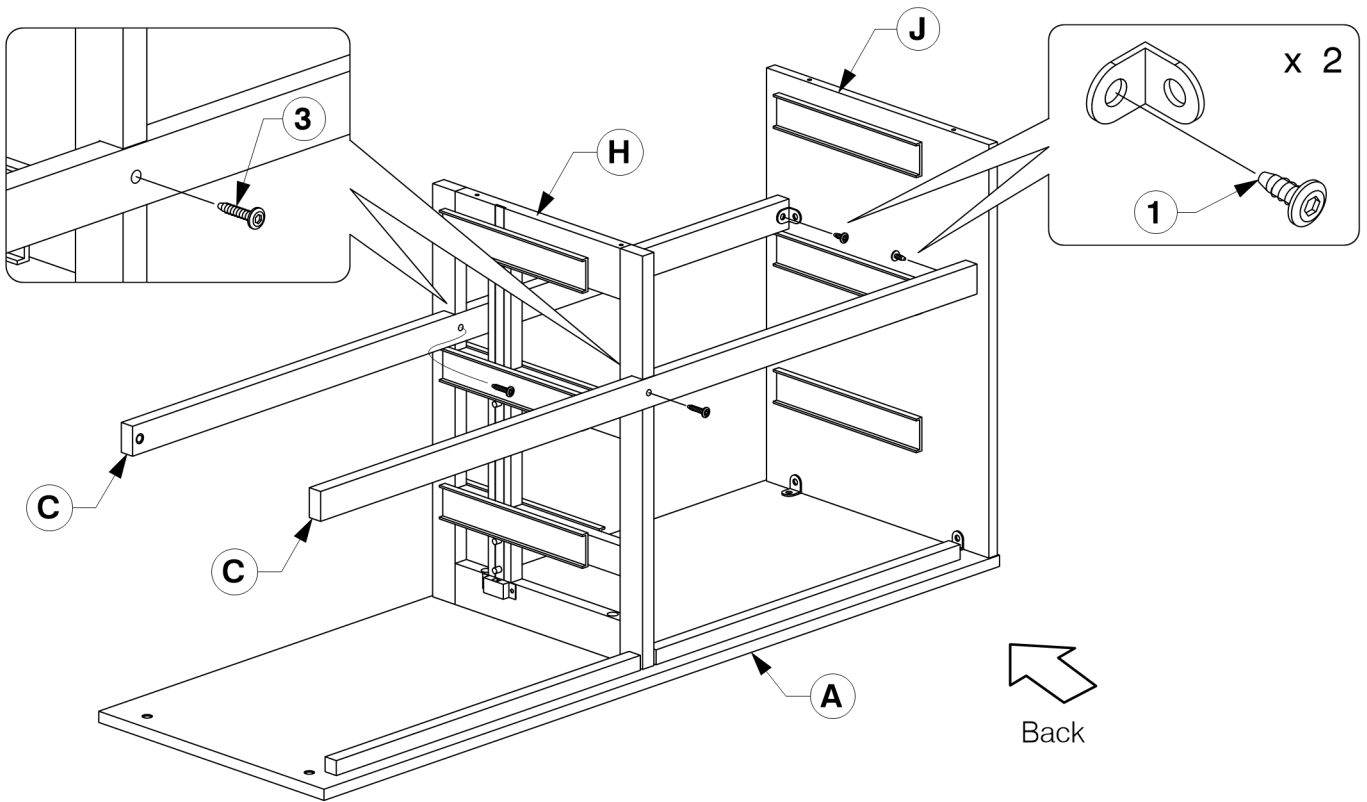


9012 6 Drawer Dresser

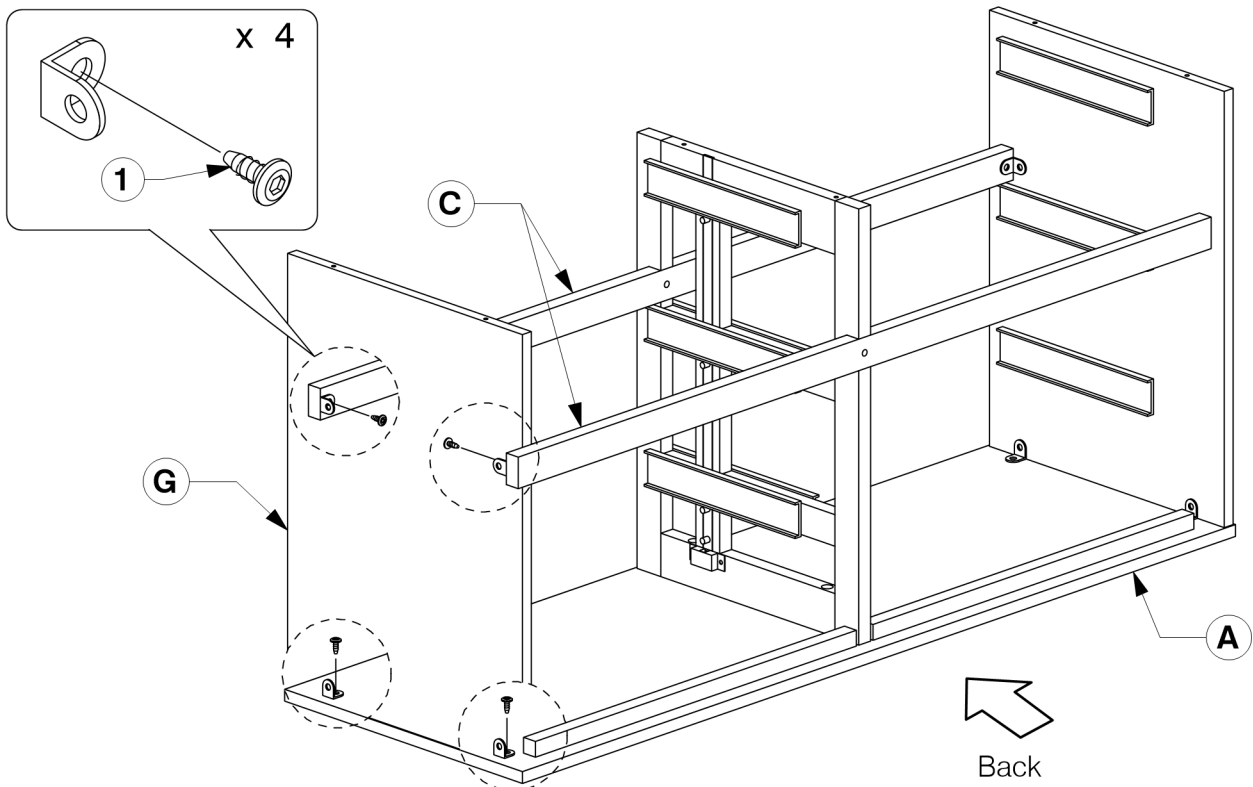
Assembly Instructions

WI-1123

- 6** Fit the Support Bar (C) to the Side Panel- Right Hand (J) & Center Frame (H) as shown.



- 7** Fit the other side of Side Panel- Left Hand (G) to the Top Panel (A) & Support Bar (C).

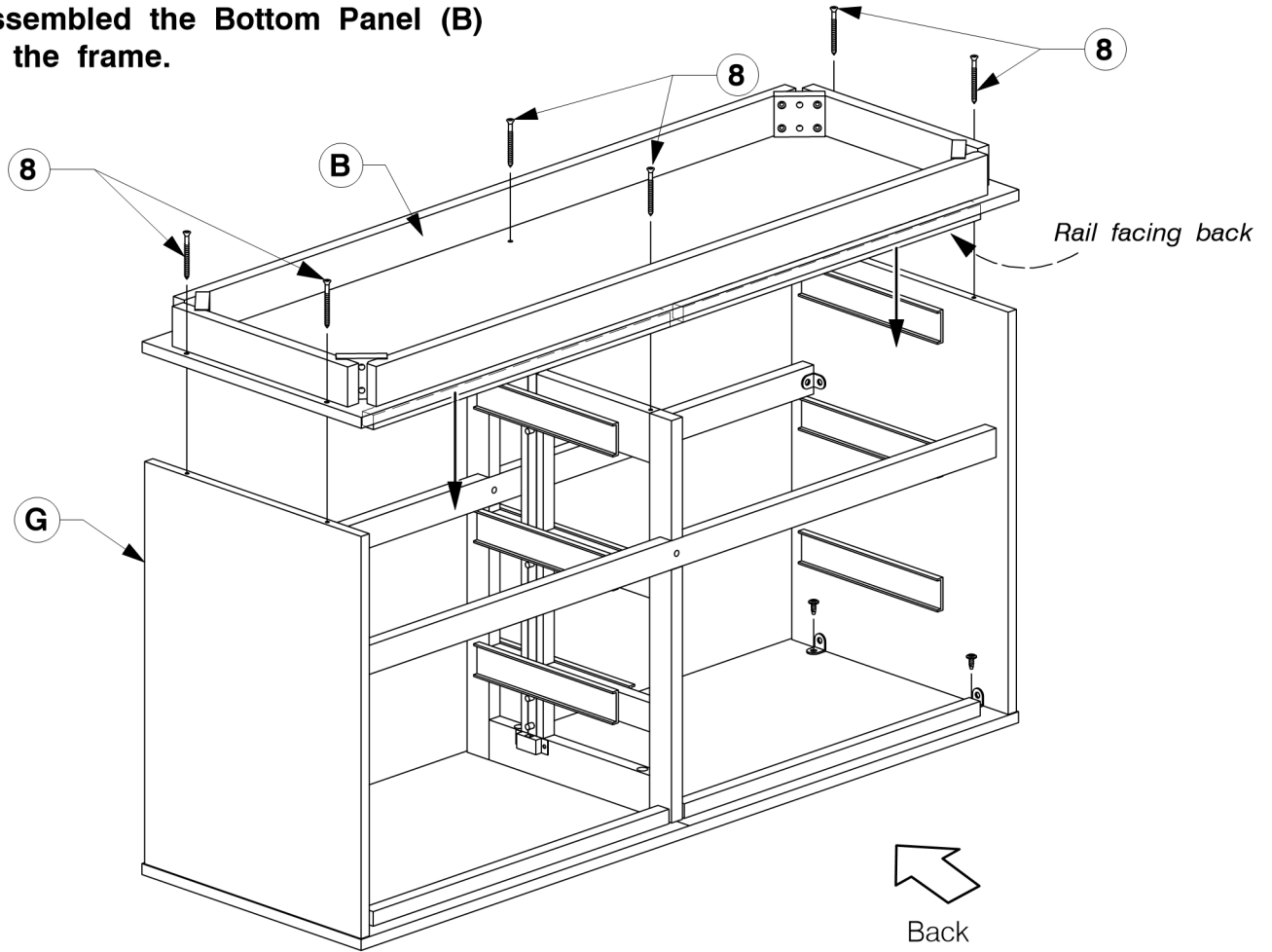


9012 6 Drawer Dresser

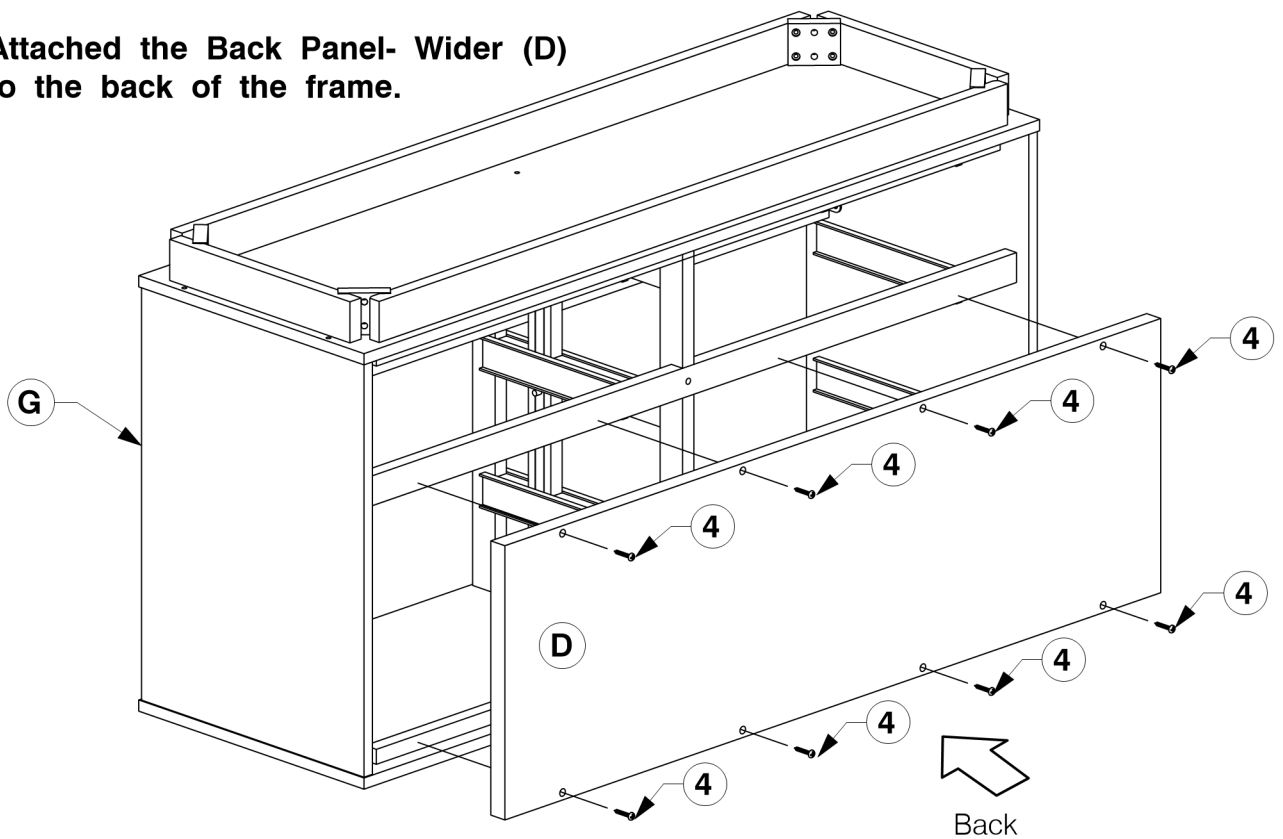
Assembly Instructions

WI-0724

- 8** Assembled the Bottom Panel (B) to the frame.



- 9** Attached the Back Panel- Wider (D) to the back of the frame.

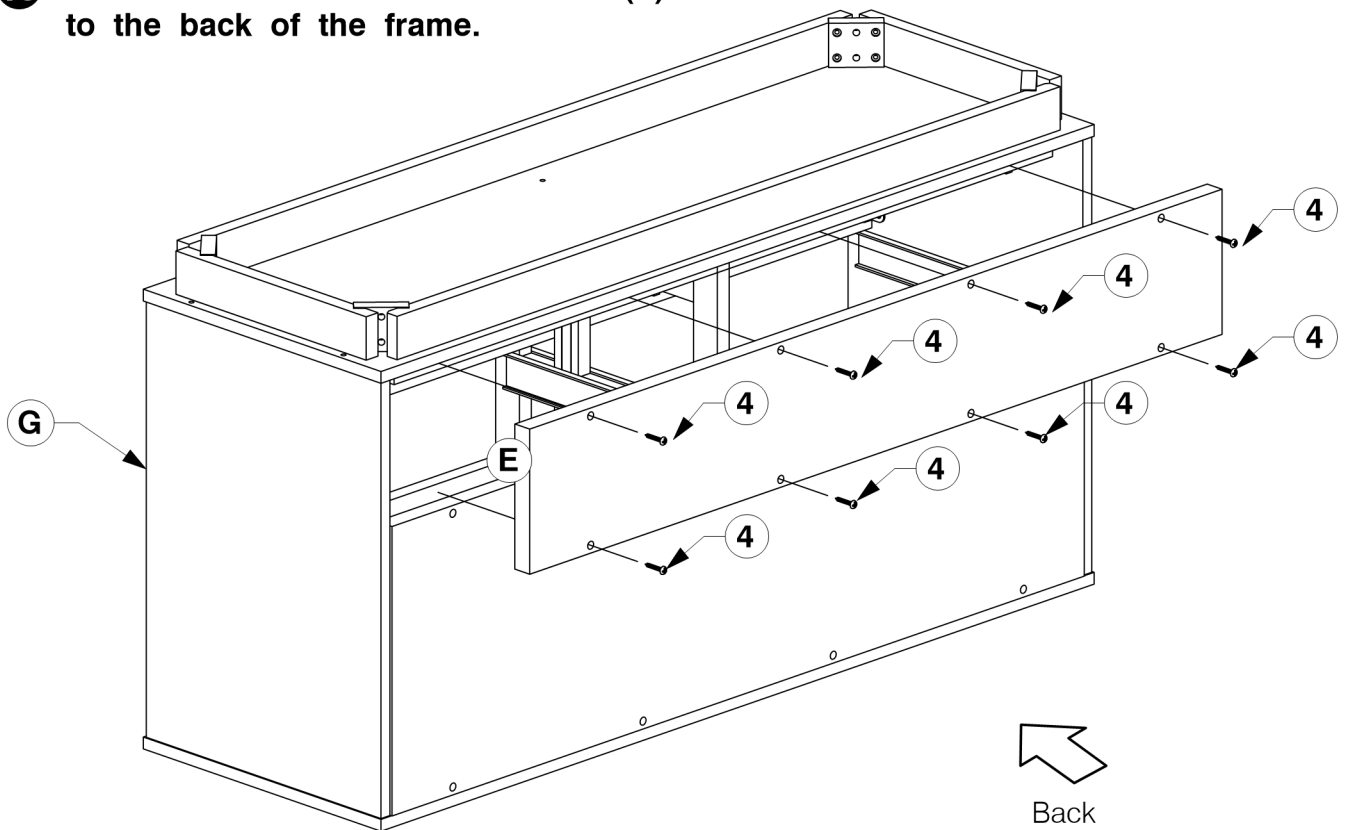


9012 6 Drawer Dresser

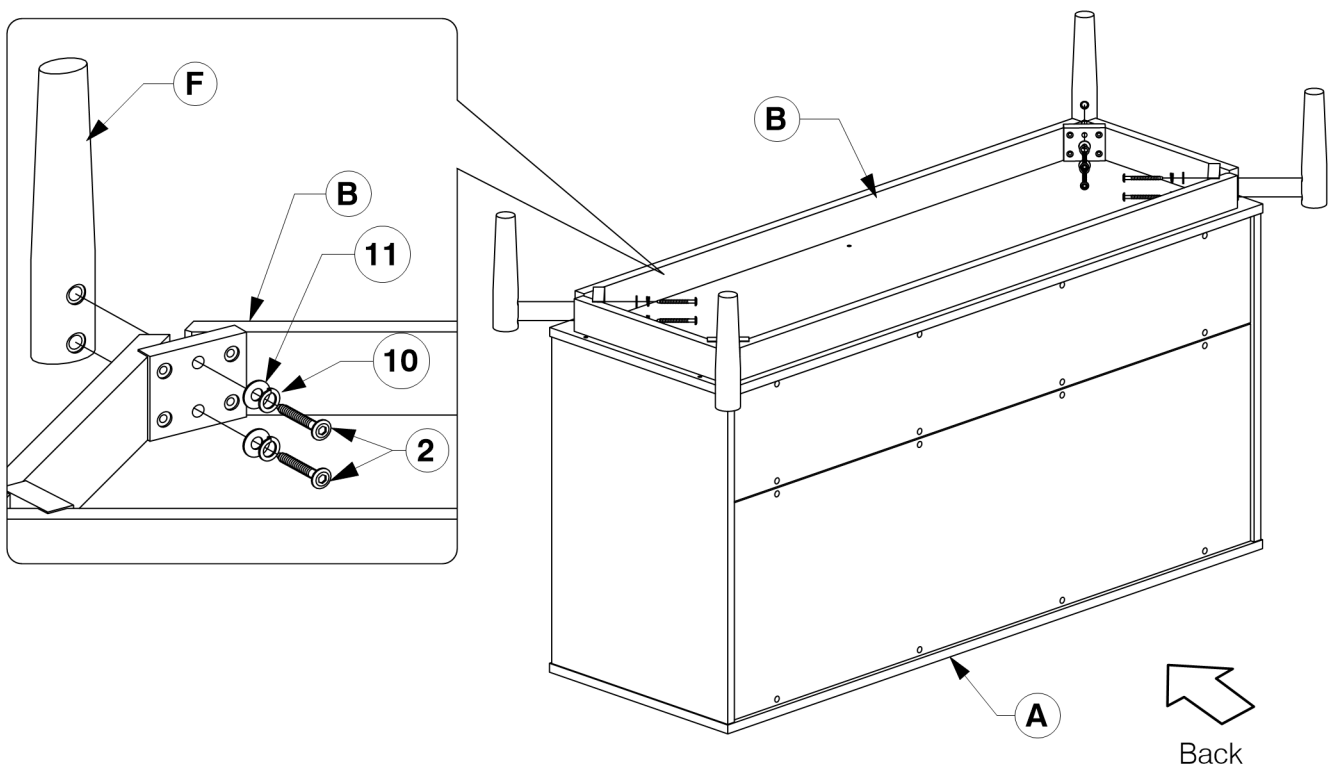
Assembly Instructions

WI-0724

- 10** Attached the Back Panel- Narrow (E) to the back of the frame.



- 11** Fit the Post (F) to the Bottom Panel (B) as shown below.



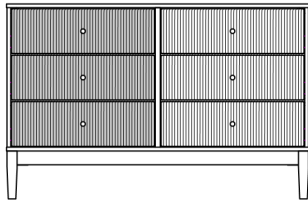
9012 6 Drawer Dresser

Assembly Instructions

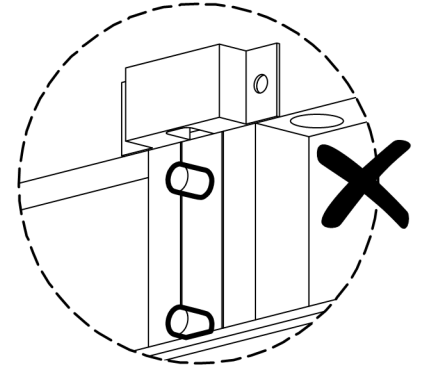
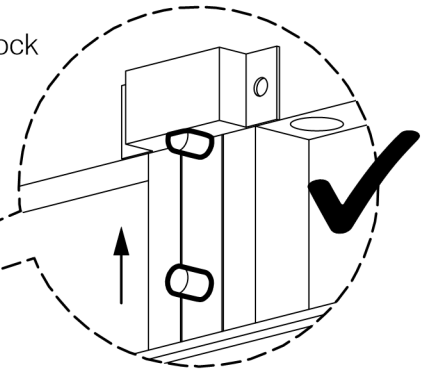
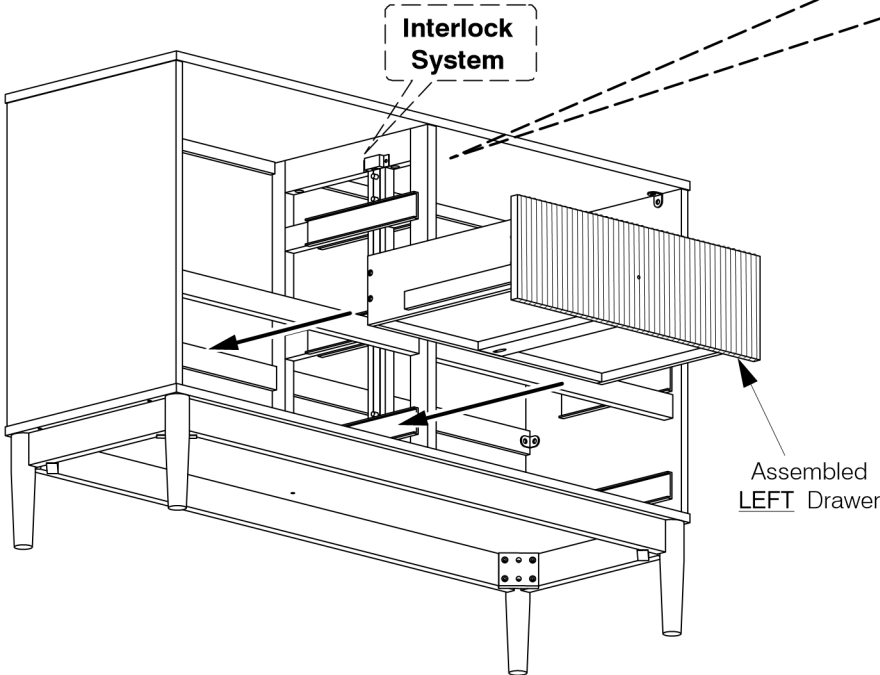
WI-0724

12 Install the Drawers.

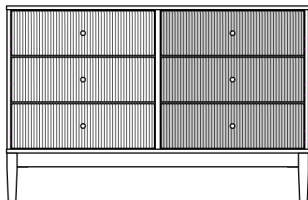
LEFT



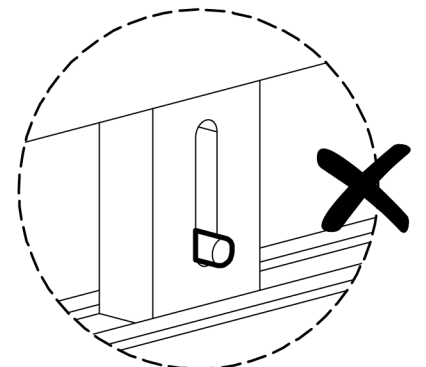
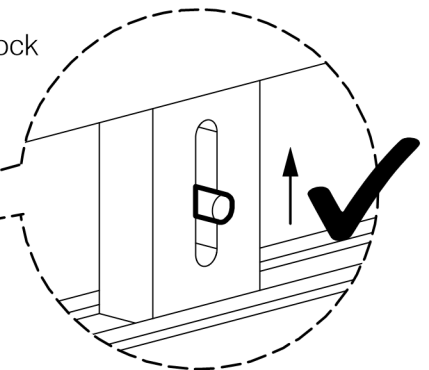
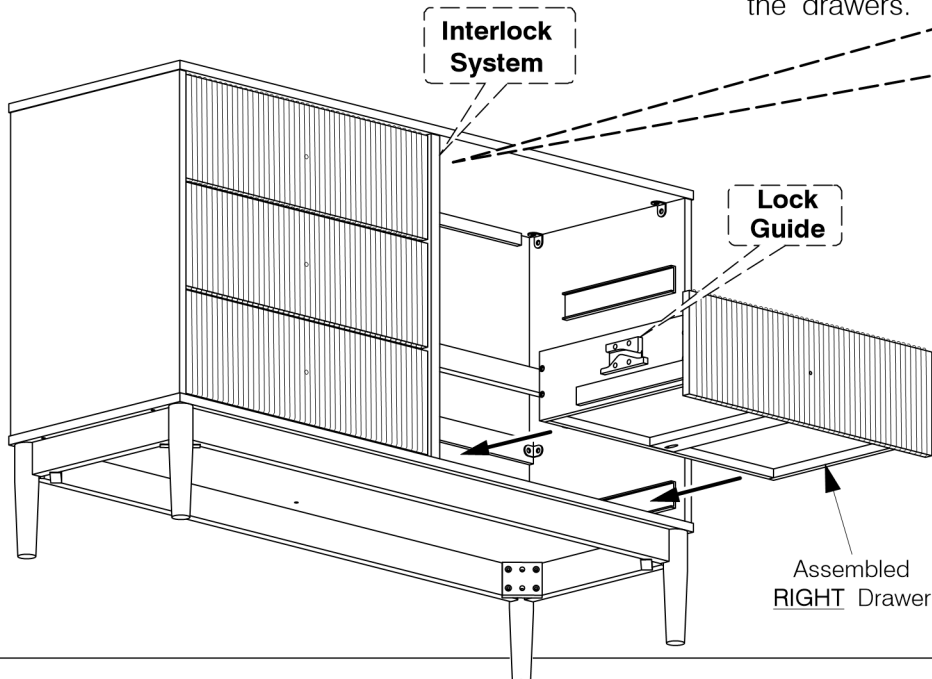
- Push the interlock bar **upwards** before inserting the drawers.



RIGHT



- Push the interlock bar **upwards** before inserting the drawers.



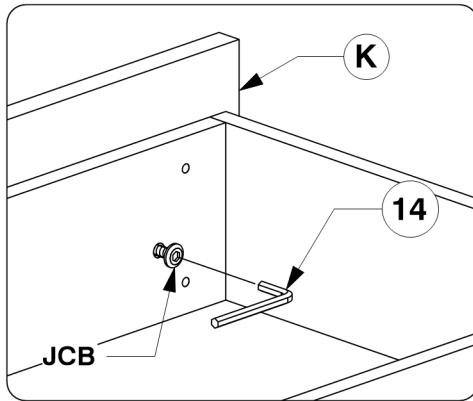
9012 6 Drawer Dresser

Assembly Instructions

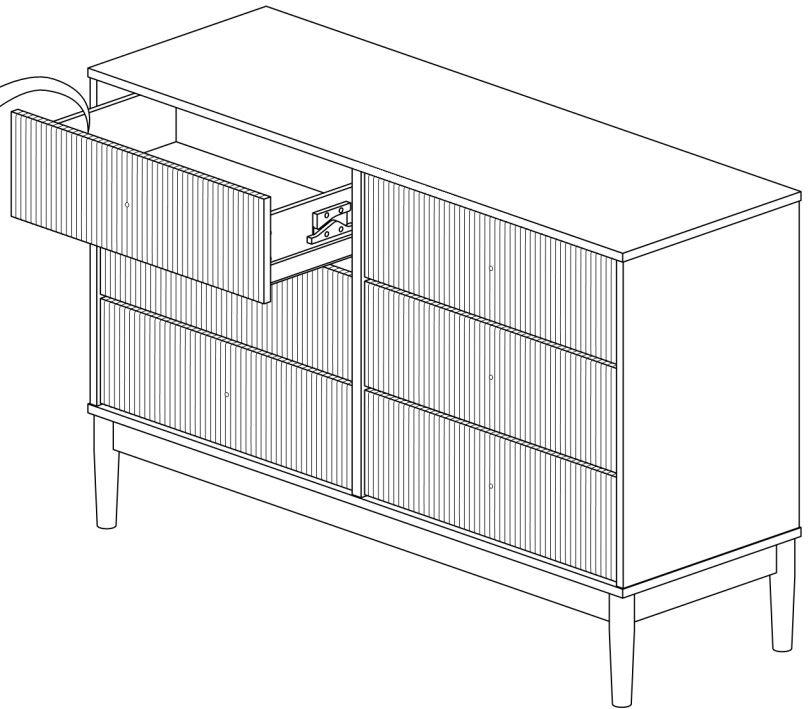
WI-0724

13 Adjust the Drawer Face (K).

* NOTE: Before fitting the Wood Screws.
Loosen the JCBs on the Drawer Face if
the face needs alignment.

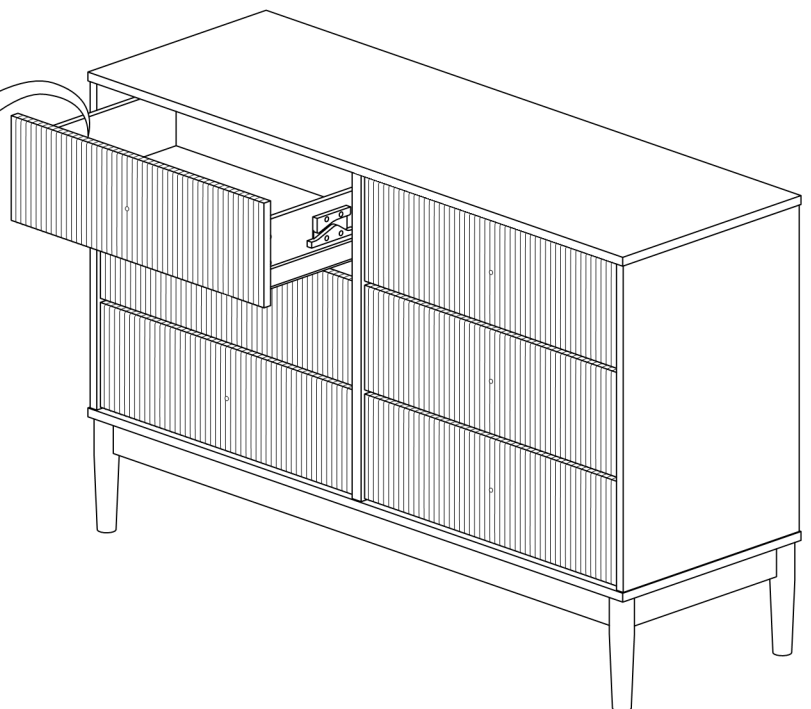
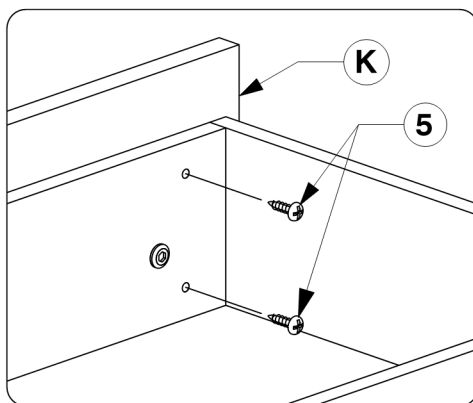


* NOTE: Only one drawer
can be open at a time.



14 After the Drawer Faces (K) are aligned, secure with wood screws.

* NOTE: Only one drawer
can be open at a time.



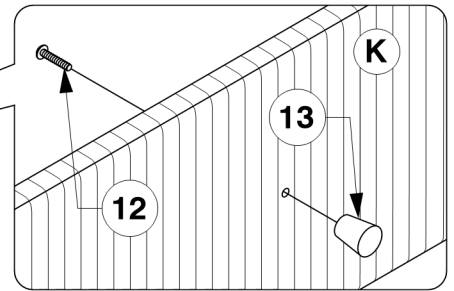
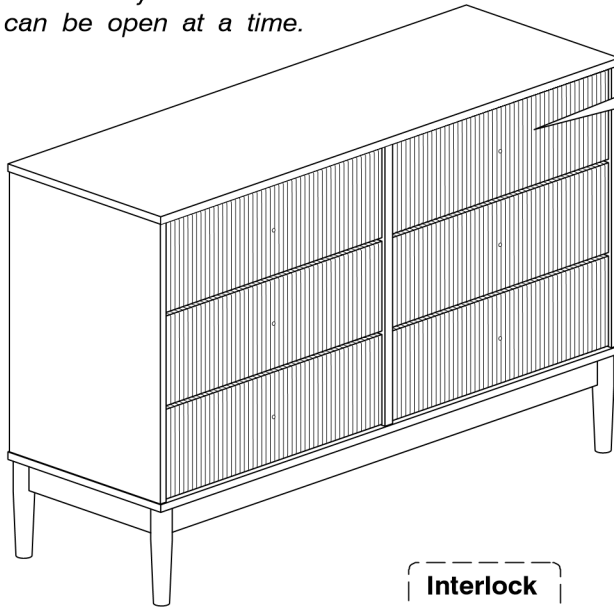
9012 6 Drawer Dresser

Assembly Instructions

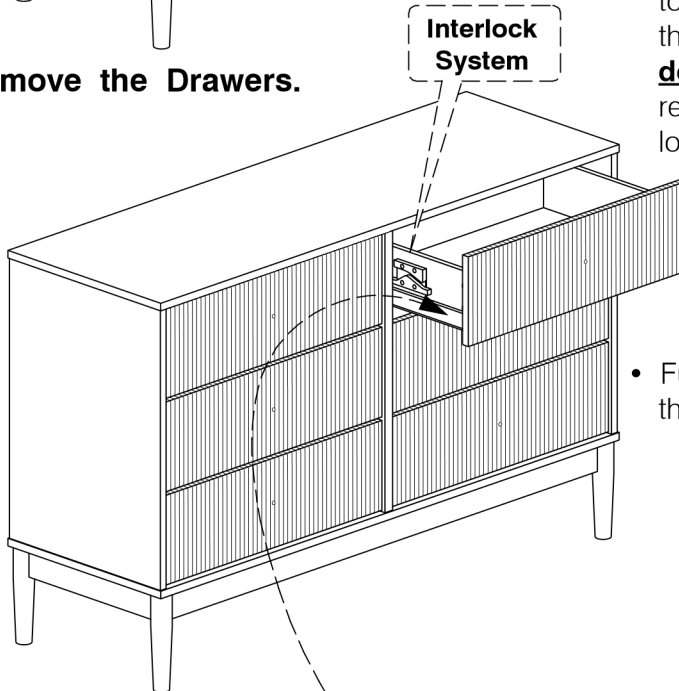
WI-0724

15 Finally, fit the Handle to the Drawer Face (K).

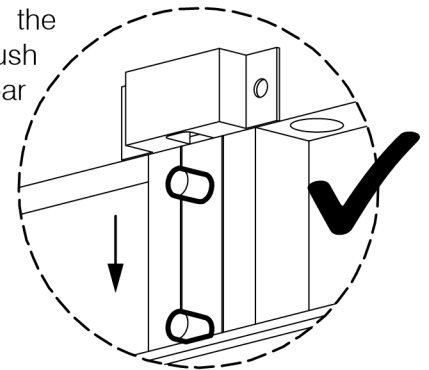
* NOTE: Only one drawer can be open at a time.



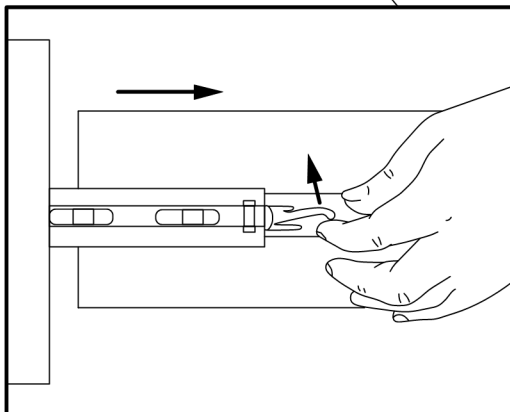
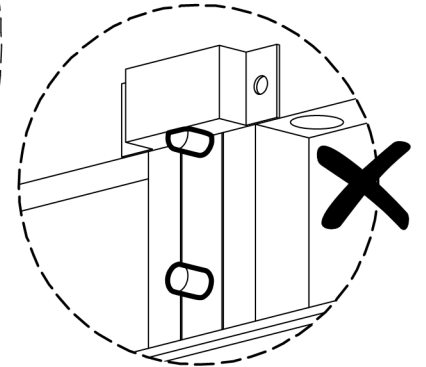
16 Remove the Drawers.



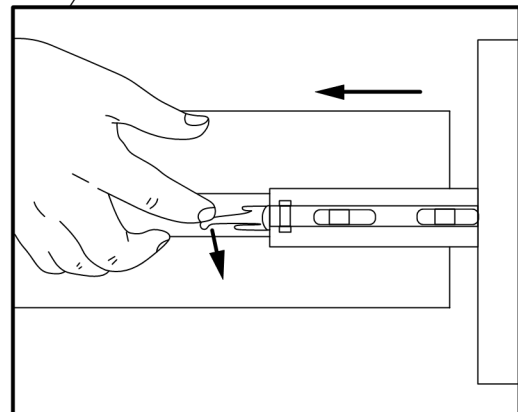
- After removing the top drawer, push the interlock bar **down**. Then remove the lower drawers.



- Fully open the Drawer.



- Lift the **LEFT** side clip up.



- Push **RIGHT** side clip down.