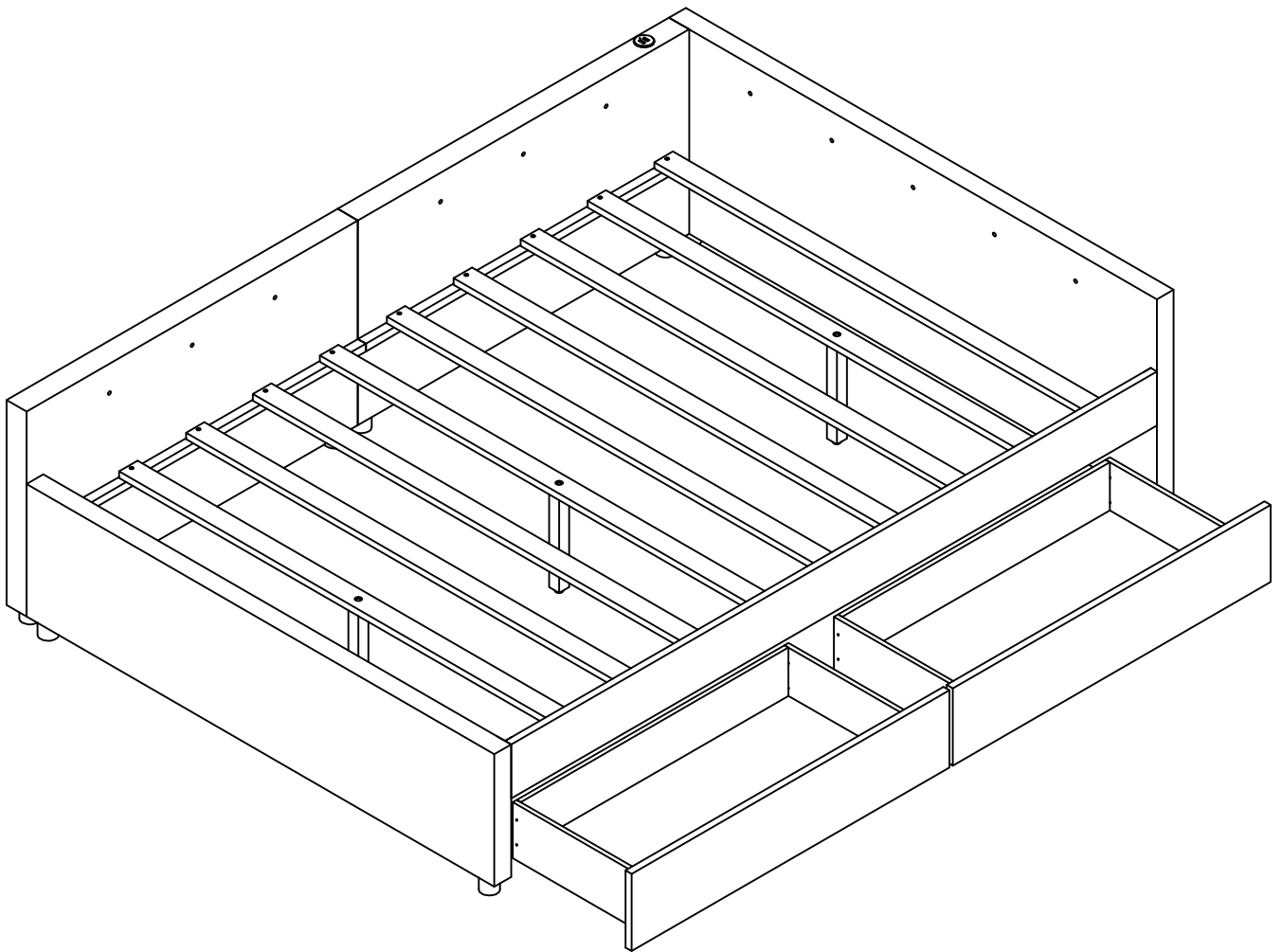
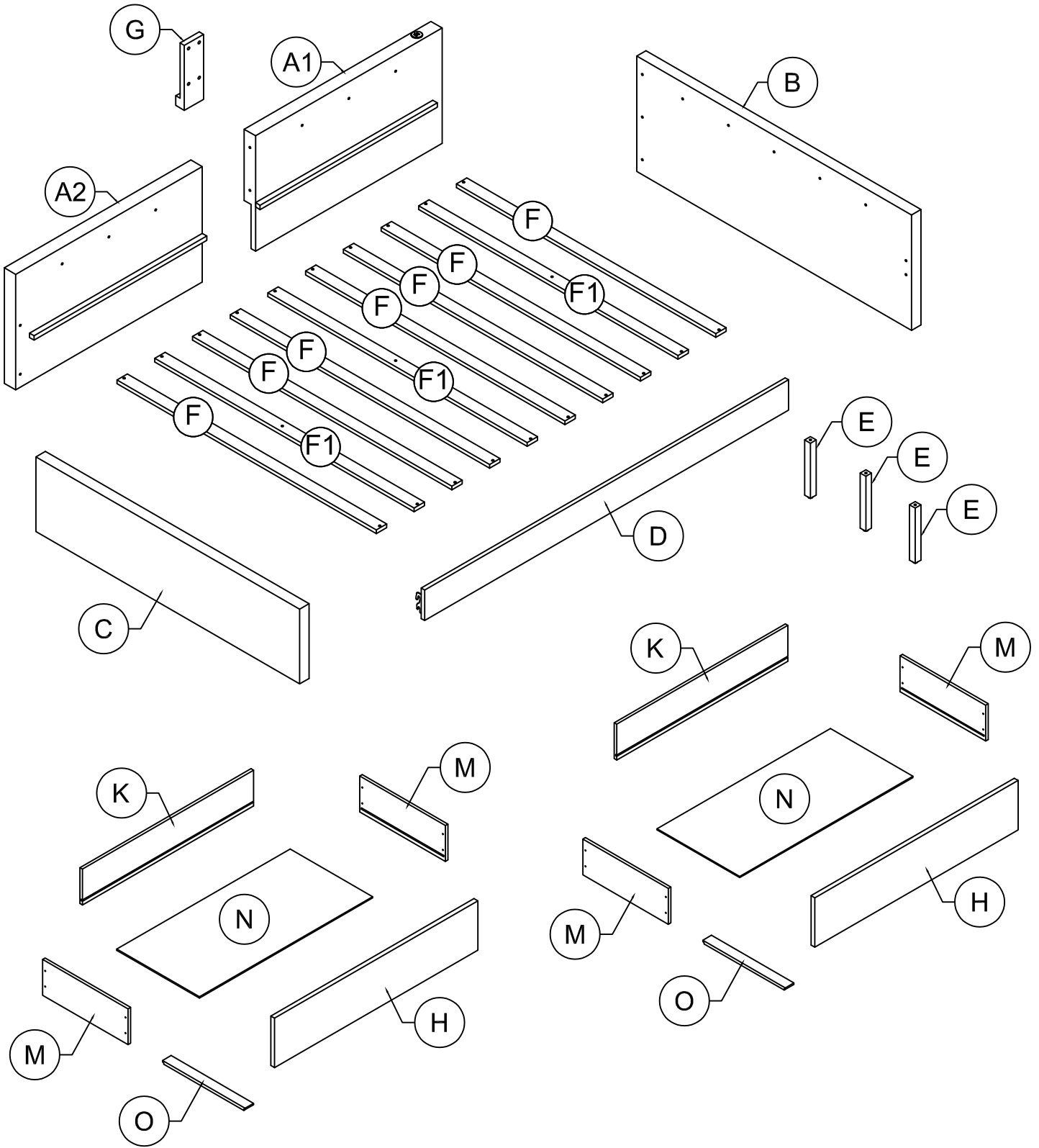


# ASSEMBLY INSTRUCTION

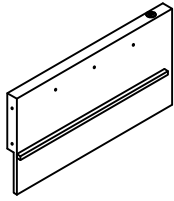


# ASSEMBLY INSTRUCTION



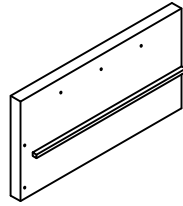
# Part List

A1



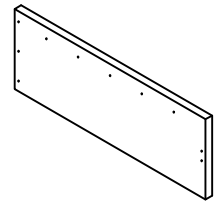
Side Rails - 1pc

A2



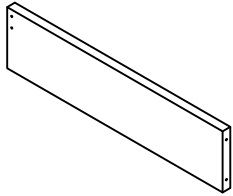
Side Rails - 1pc

B



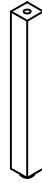
HB Frames - 1pc

C



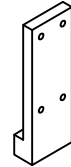
FB Frames - 1pc

E



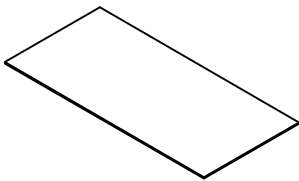
Support Leg - 3pcs

G



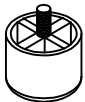

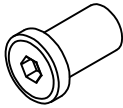
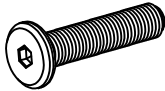
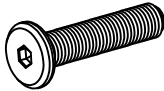


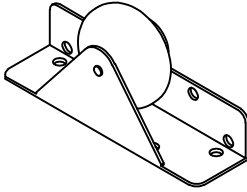

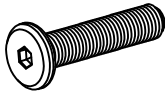
Support Leg - 1pcs

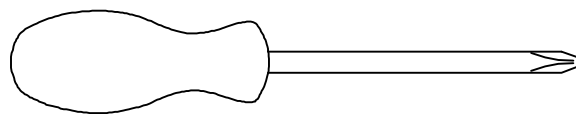
N



Drawer - Bottom panels - 2pcs

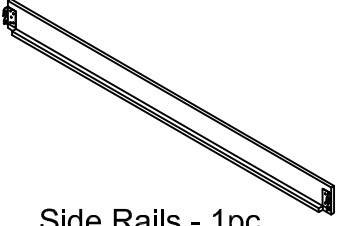
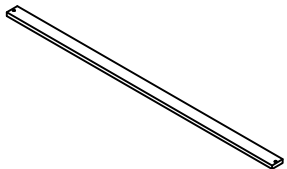
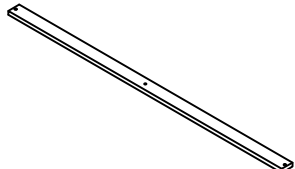
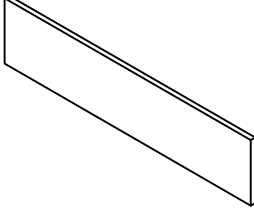
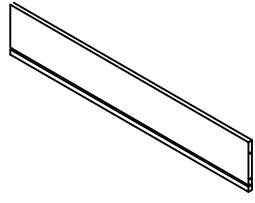
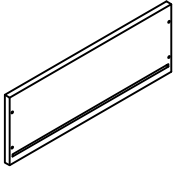
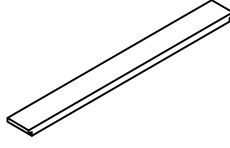
# Hardware List

<p>1</p>  <p>Plastic Feet (Ø50x40) 4pcs</p>	<p>2</p>  <p>Allen Key 2pcs</p>	<p>3</p>  <p>1/4" x 15mm Sleeve Nut 5pcs</p>
<p>4</p>  <p>1/4" x 50mm Hex-Head bolts 2pcs</p>	<p>5</p>  <p>1/4" x 40mm Hex-Head bolts 5pcs</p>	<p>6</p>  <p>M4 x 30 mm Wood Screws 36pcs</p>
<p>7</p>  <p>M4 x 15 mm Wood Screws 20pcs</p>	<p>8</p>  <p>Wheels 8pcs</p>	<p>9</p>  <p>Plastic Drawer Stopped 4pcs</p>
<p>10</p>  <p>1/4" x 30mm Hex-Head bolts 11pcs</p>		

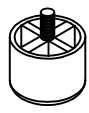


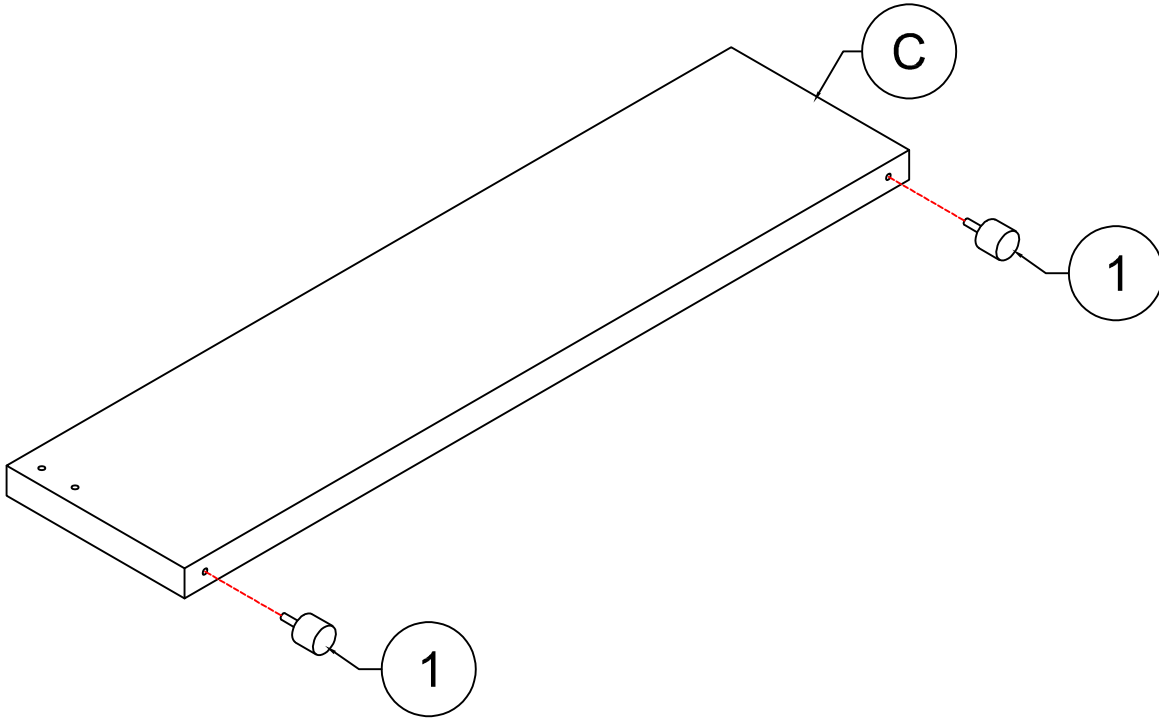
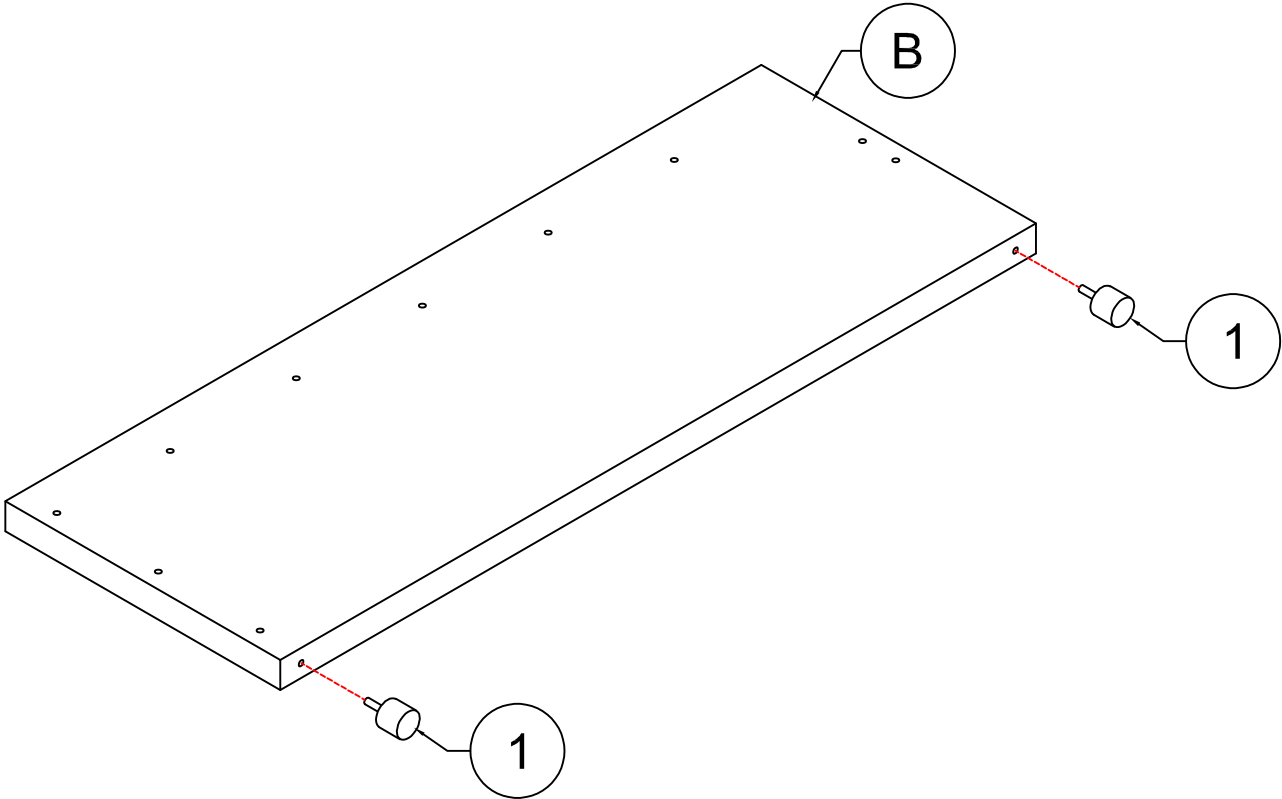
**Assembly Tools Required (Not Included)**

# Part List

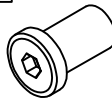
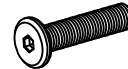

<p><b>D</b></p>  <p>Side Rails - 1pc</p>	<p><b>F</b></p>  <p>Slats - 7pcs</p>	<p><b>F1</b></p>  <p>Slats - 3pcs</p>
<p><b>H</b></p>  <p>Drawer - Front panels - 2pcs</p>	<p><b>K</b></p>  <p>Drawer - Back panels - 2pcs</p>	<p><b>M</b></p>  <p>Drawer - Side panels - 4pcs</p>
<p><b>O</b></p>  <p>Drawer - Bar support - 2pcs</p>		

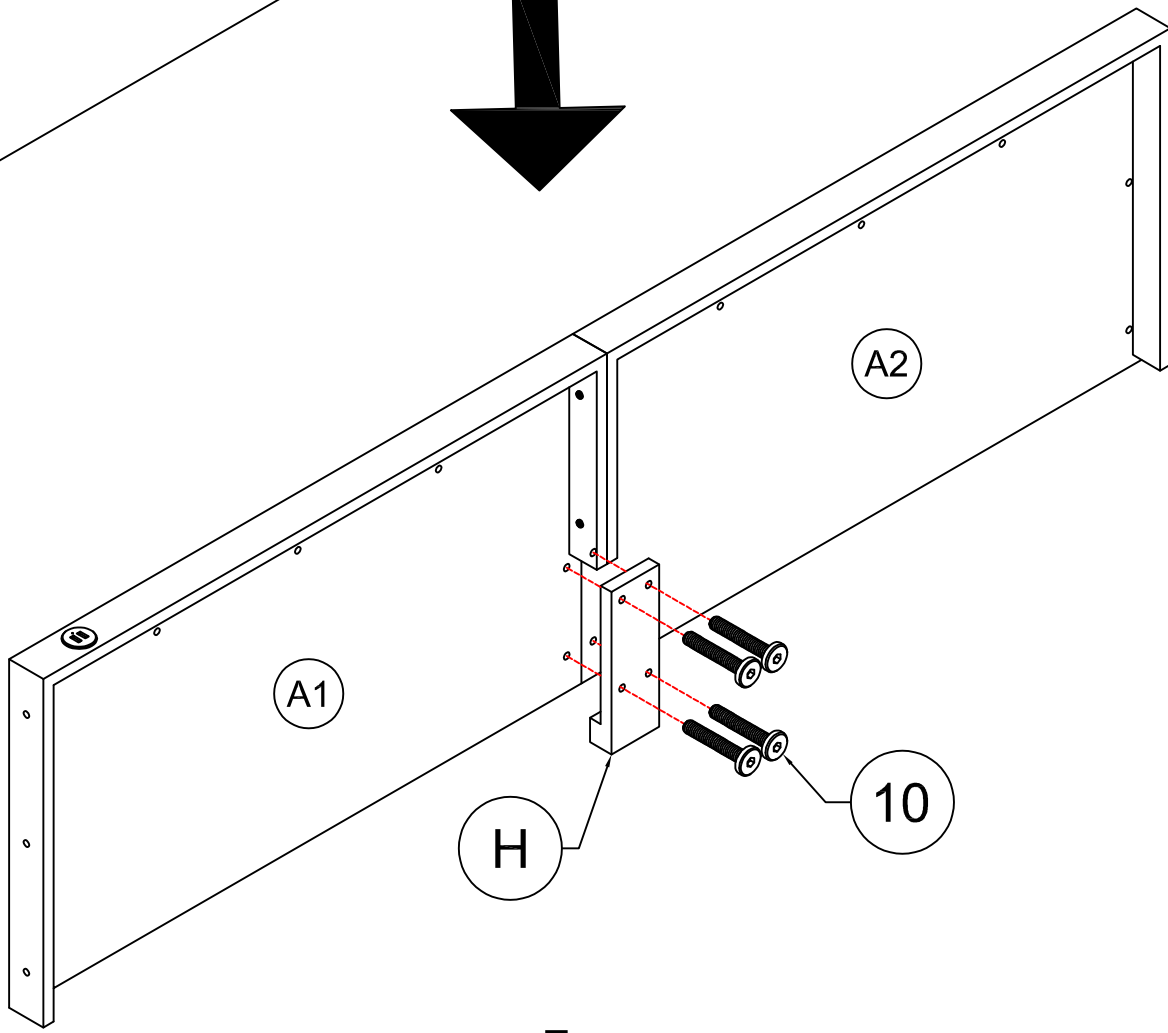
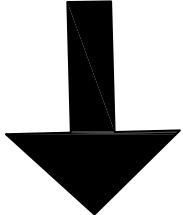
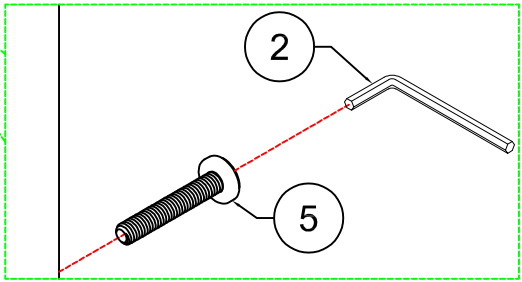
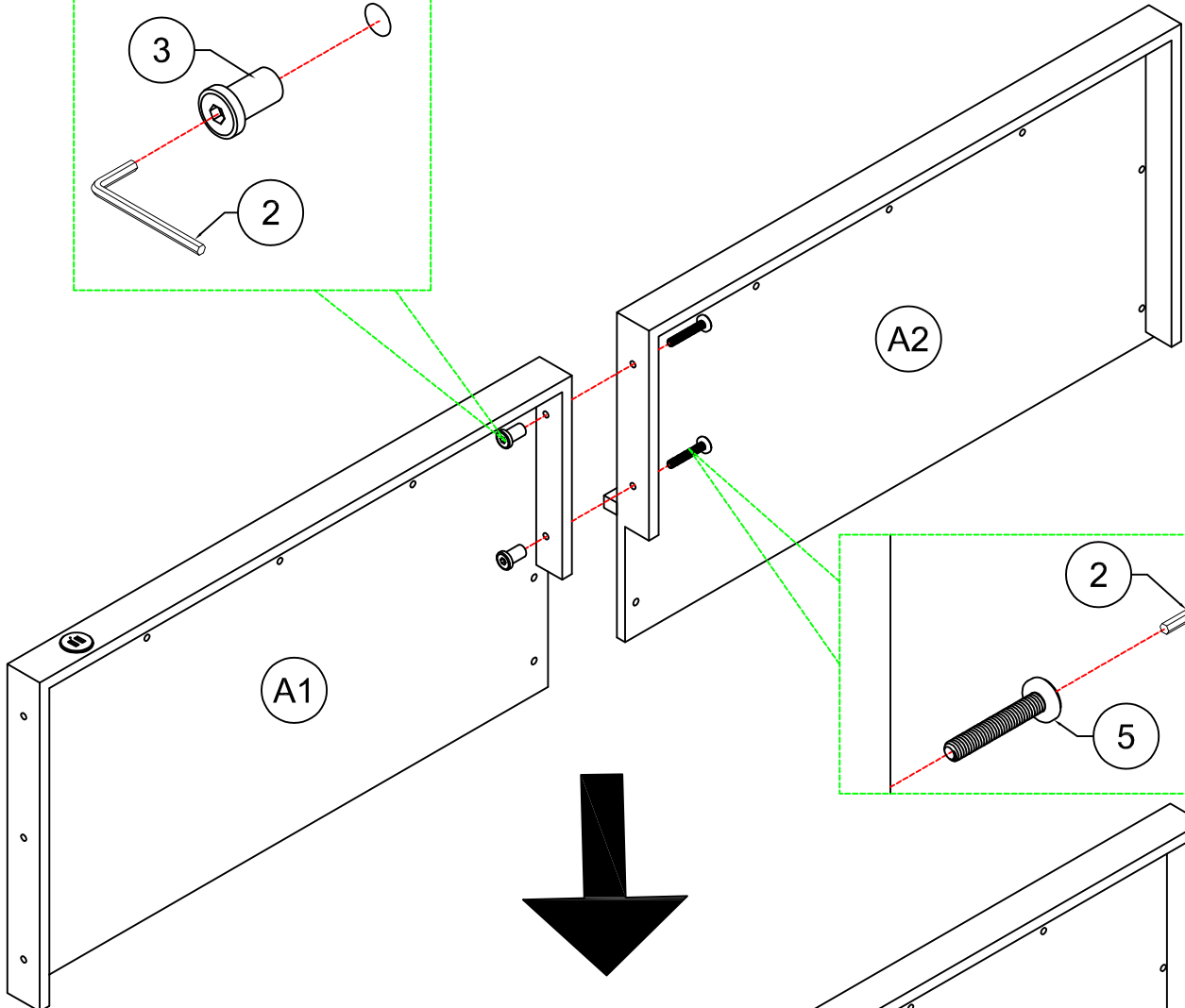
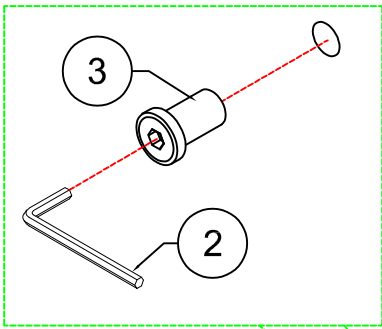
**STEP 1:** Following below illustration:

1	
4pcs	

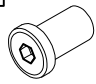




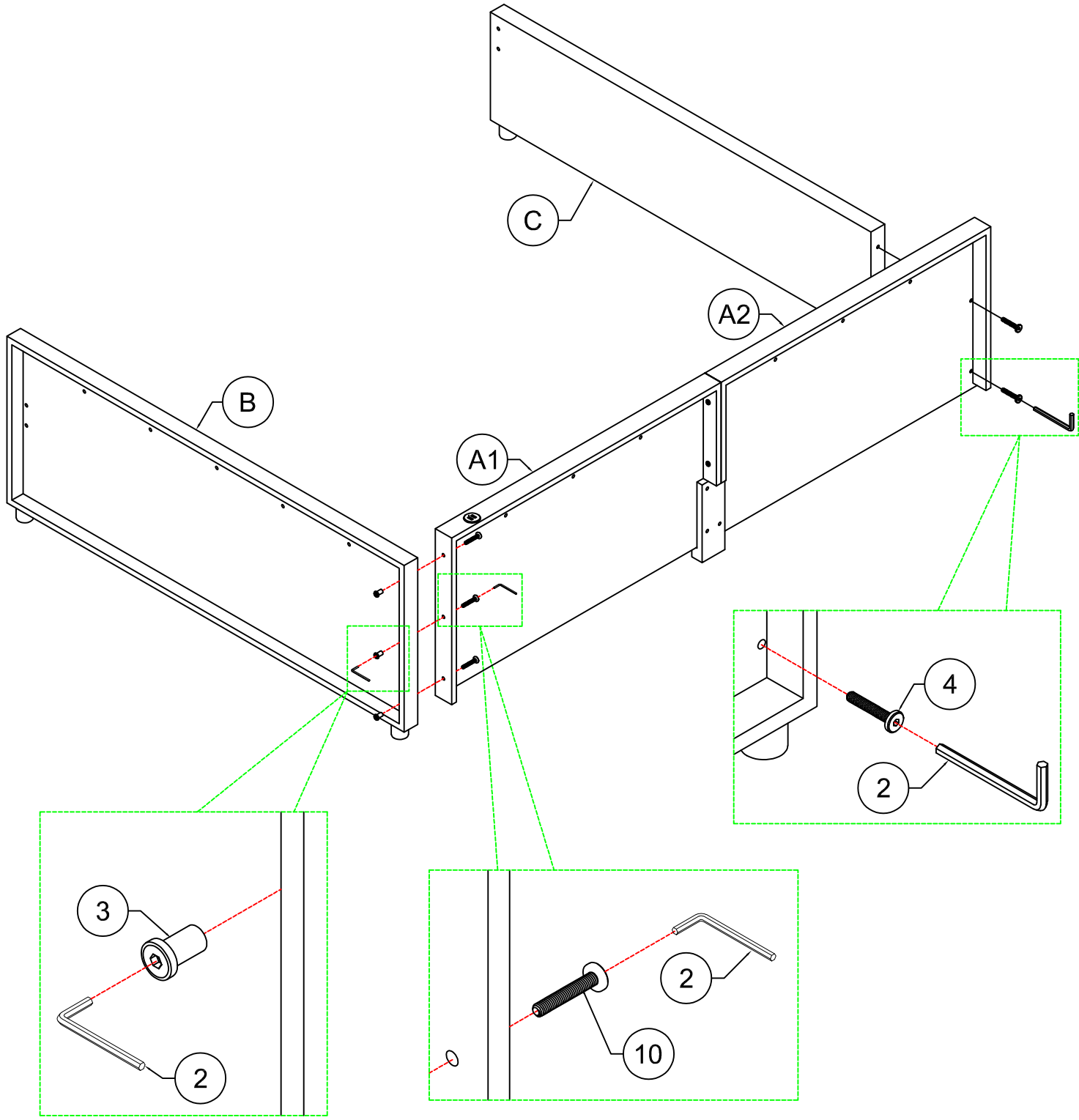
# STEP 2: Following below illustration:

3	5	10
		
2pcs	2pcs	4pcs


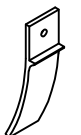


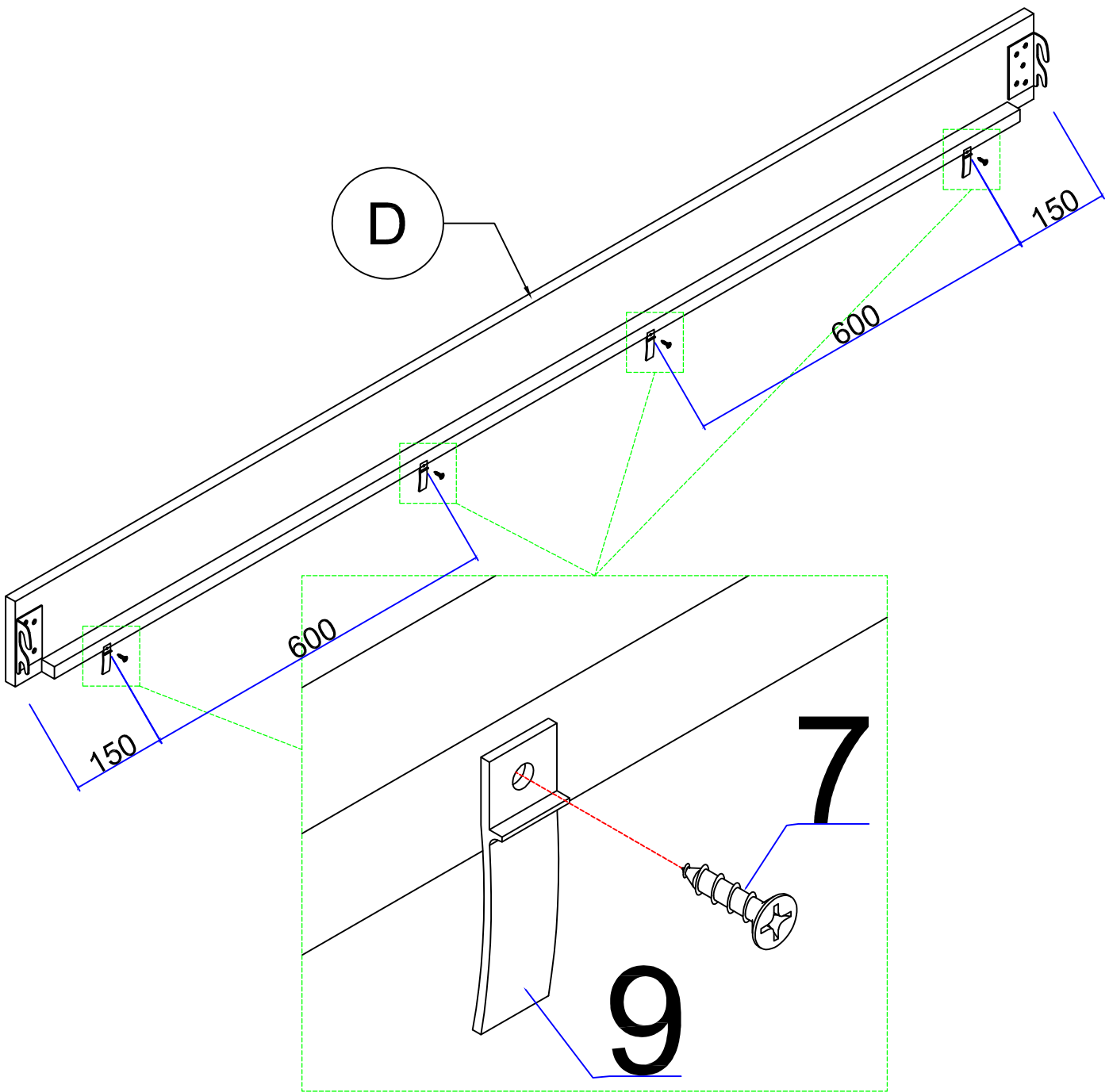
# STEP 3: Following below illustration:

3	4	10
		
3pcs	2pcs	3pcs



**STEP 4:** Following below illustration:

7		9	
4pcs		4pcs	

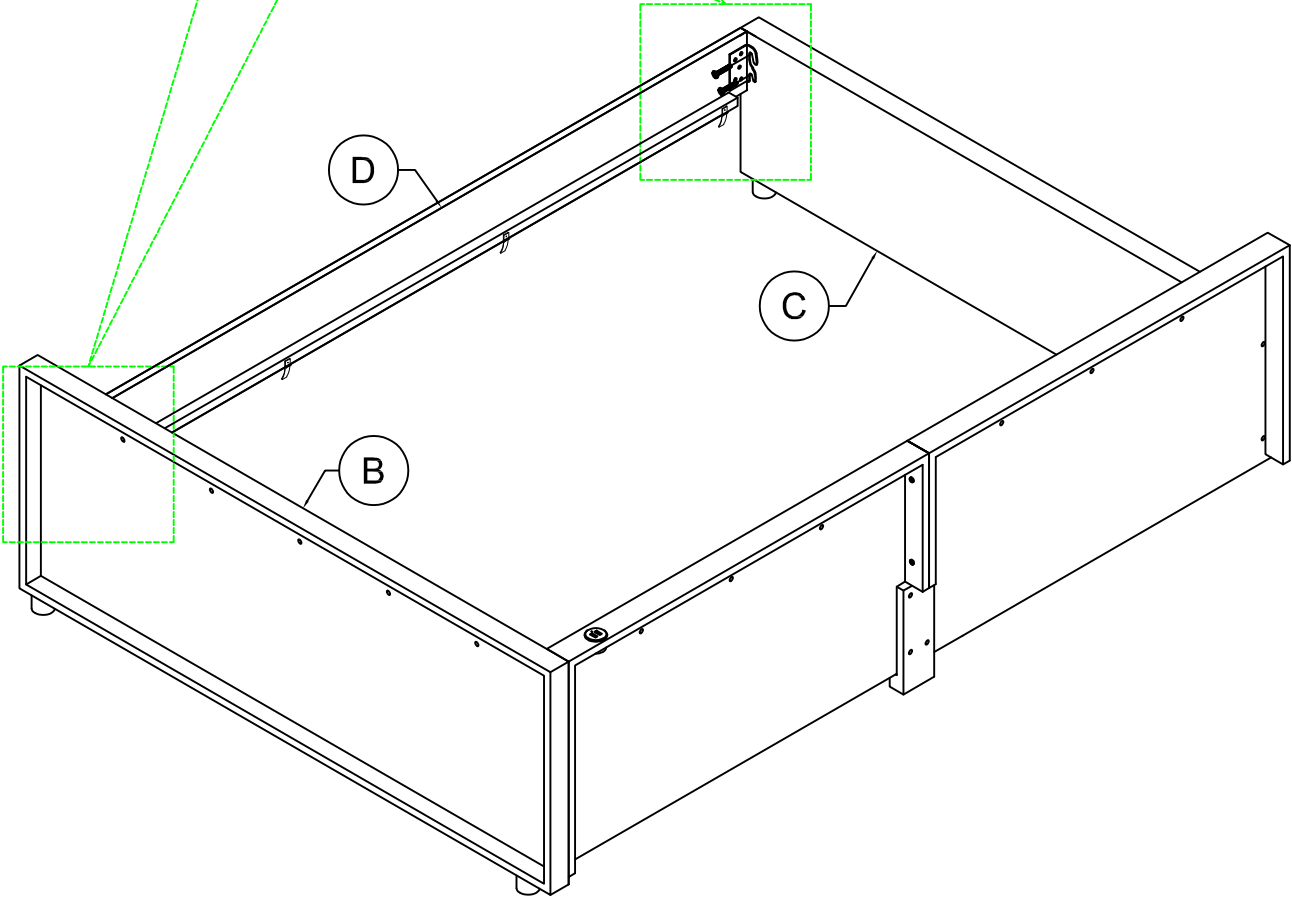
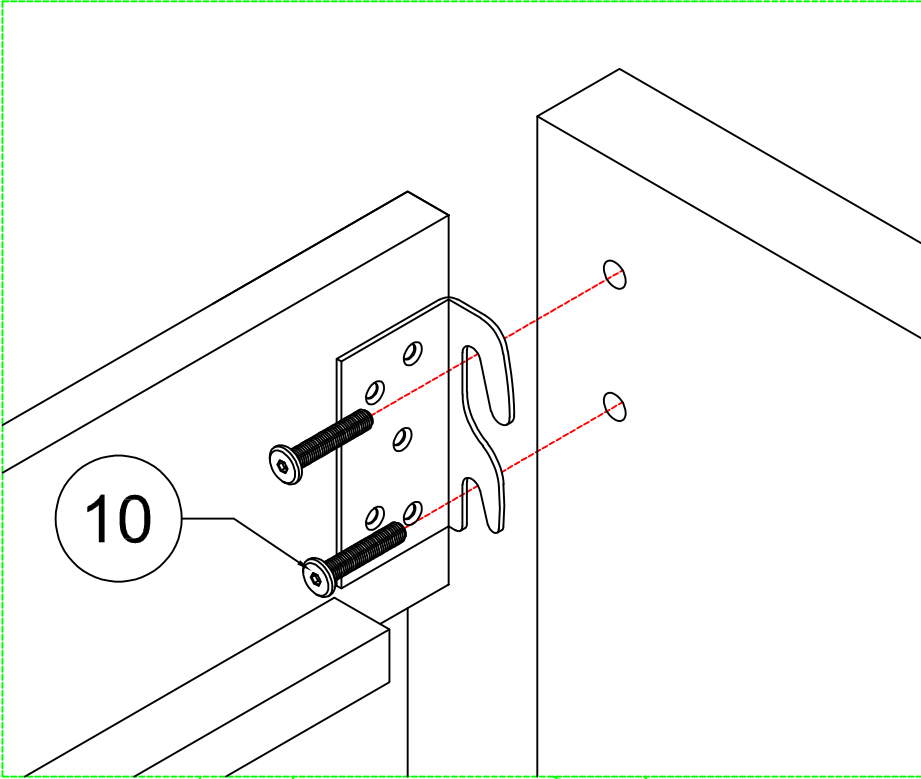


**STEP 5:** Following below illustration:


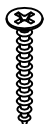
10

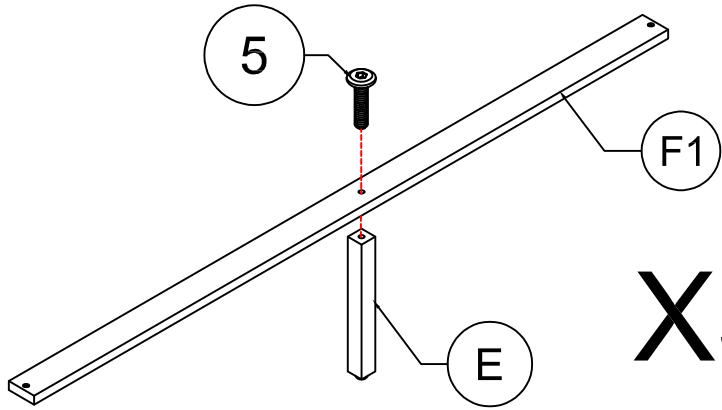


4pcs

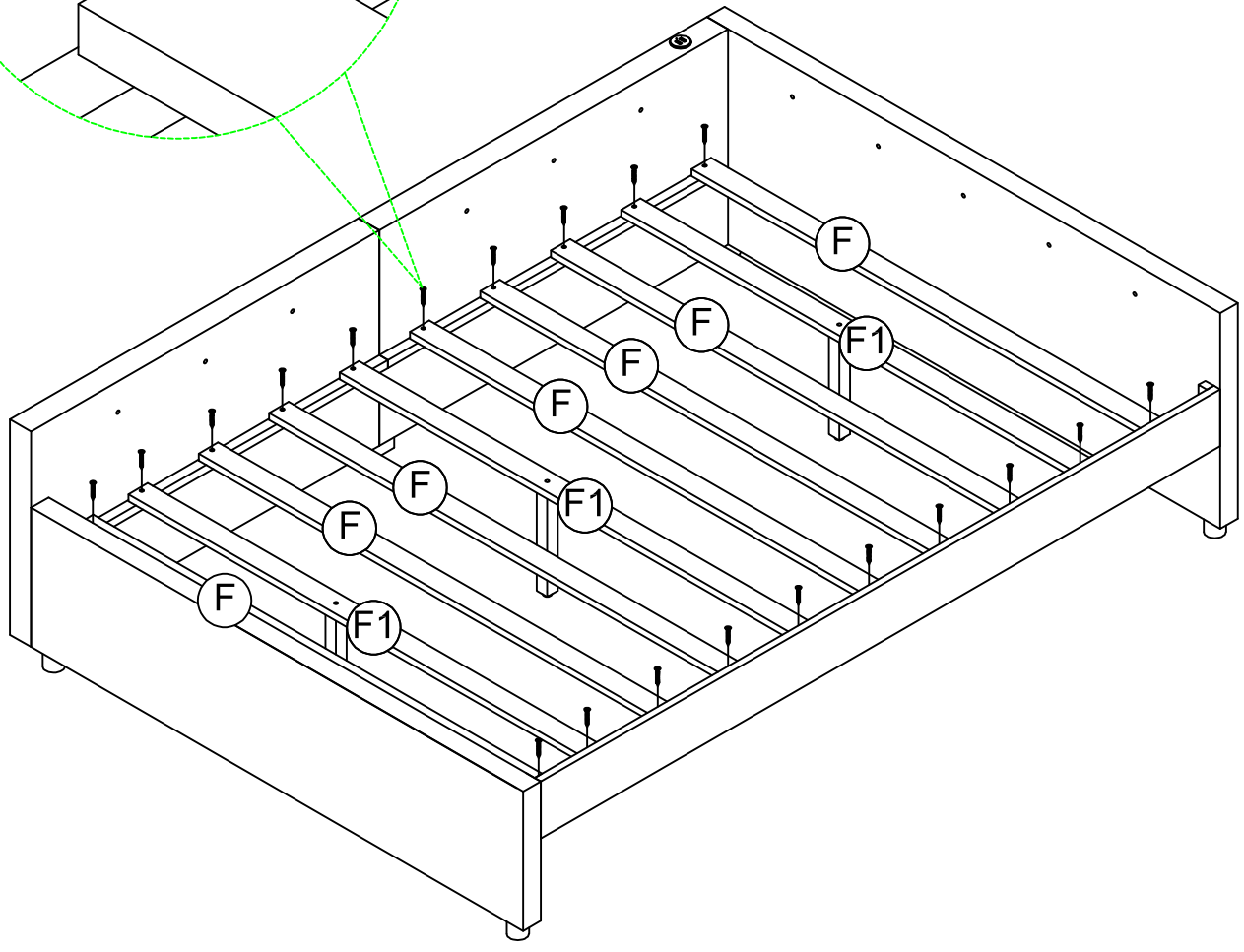
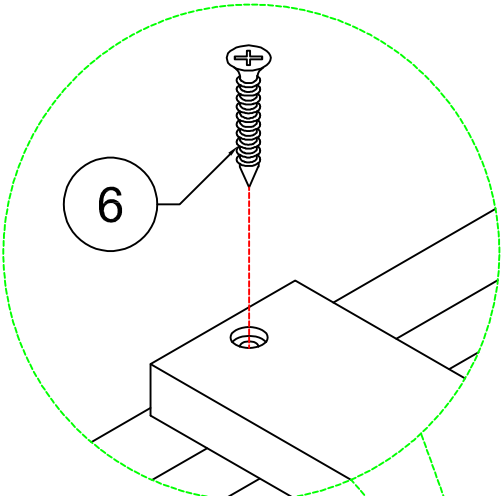


**STEP 6:** Following below illustration:

5	6
	
3pcs	20pcs



**X3**

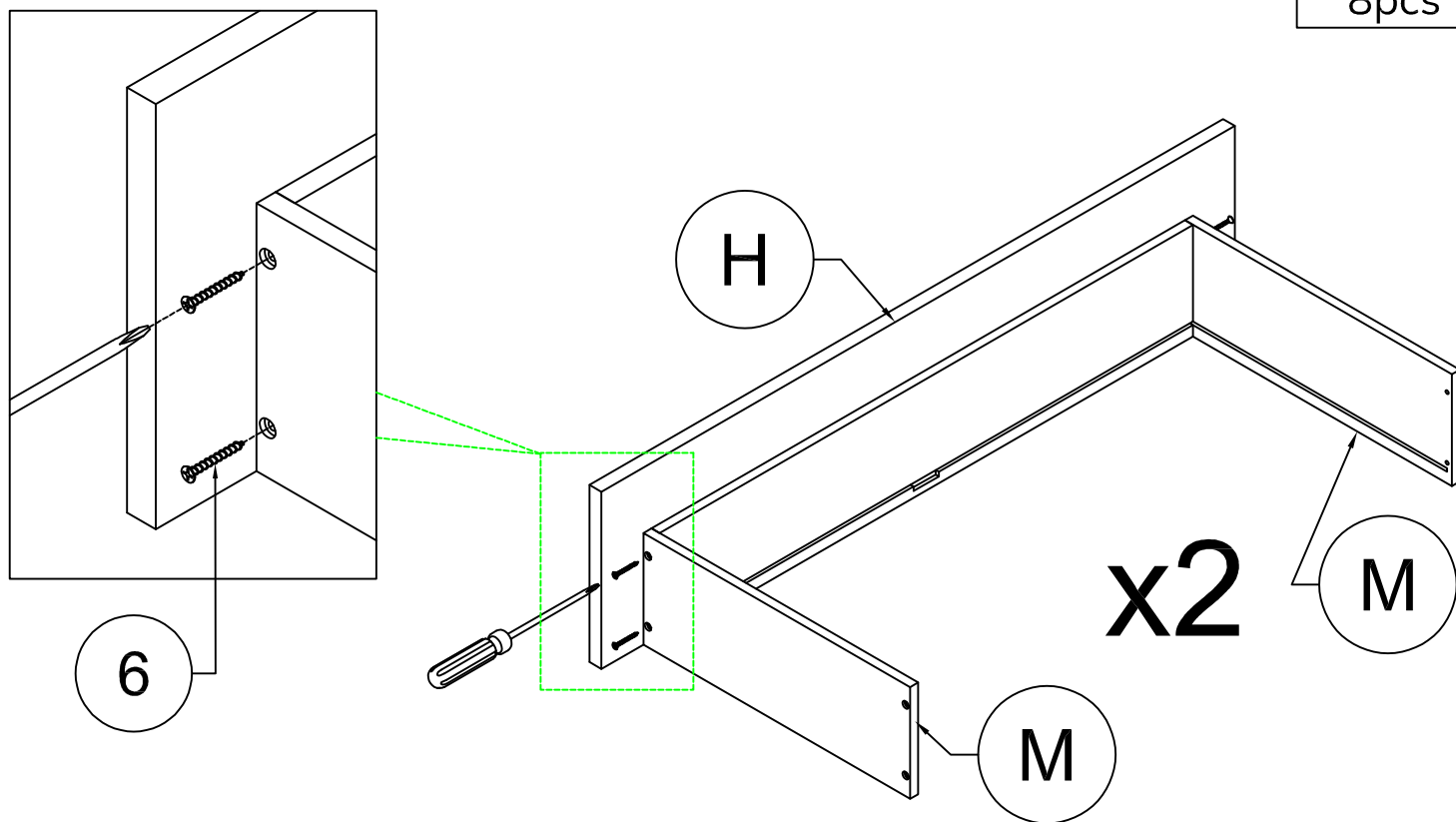


**STEP 7:** Following below illustration:

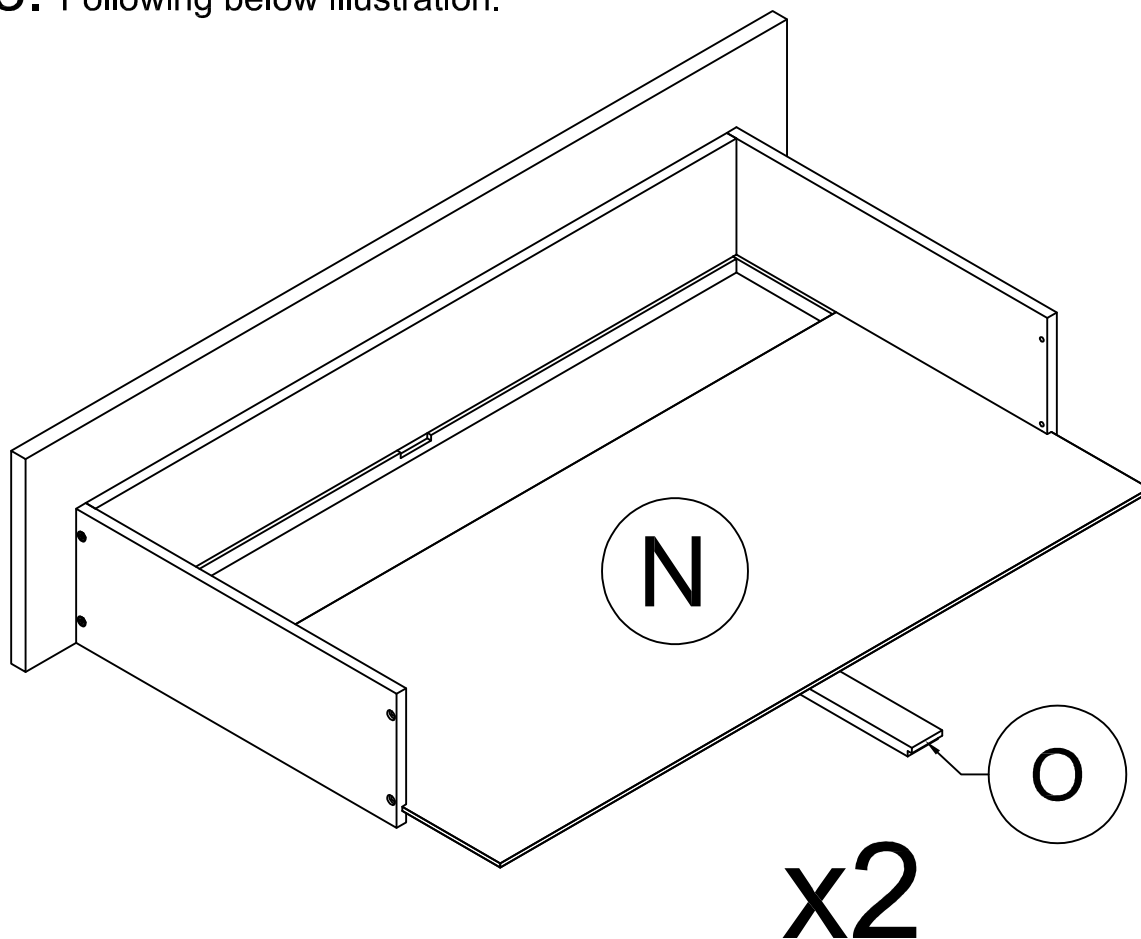
6



8pcs

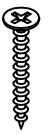


**STEP 8:** Following below illustration:



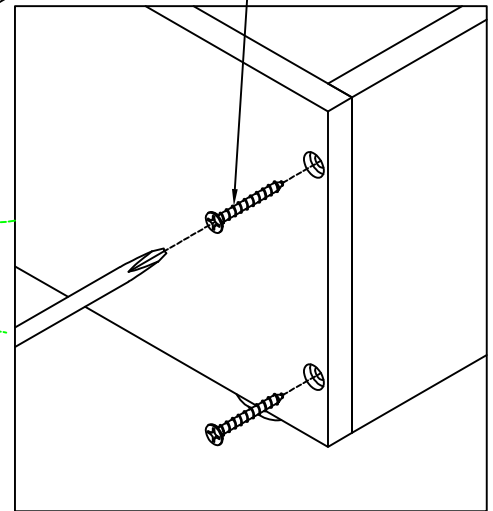
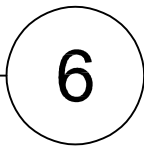
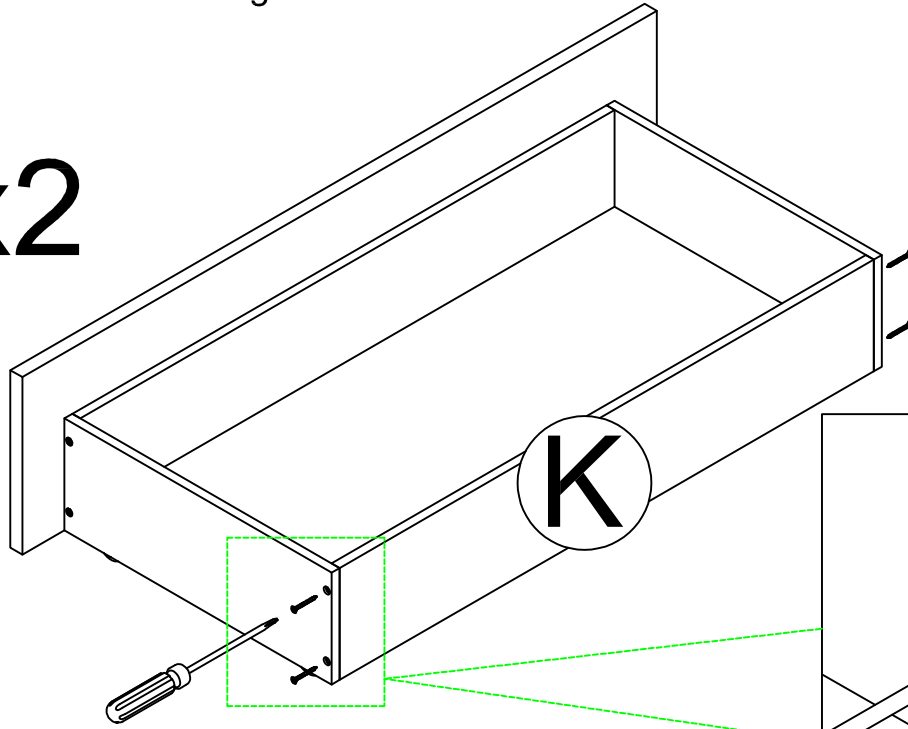
**STEP 9:** Following below illustration:

6



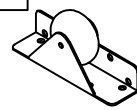
8pcs

x2



**STEP 10:** Following below illustration:

8

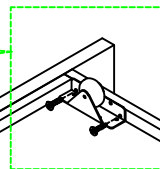
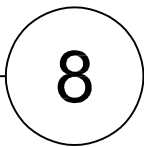
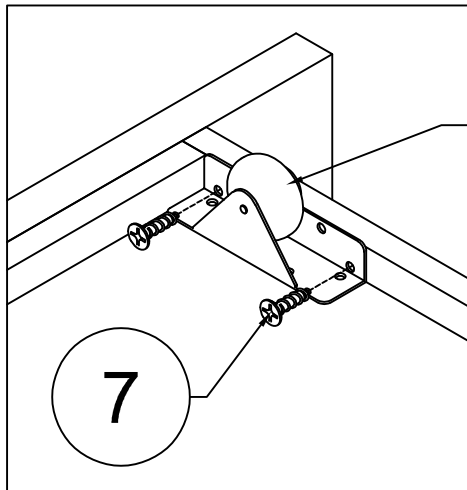


8pcs

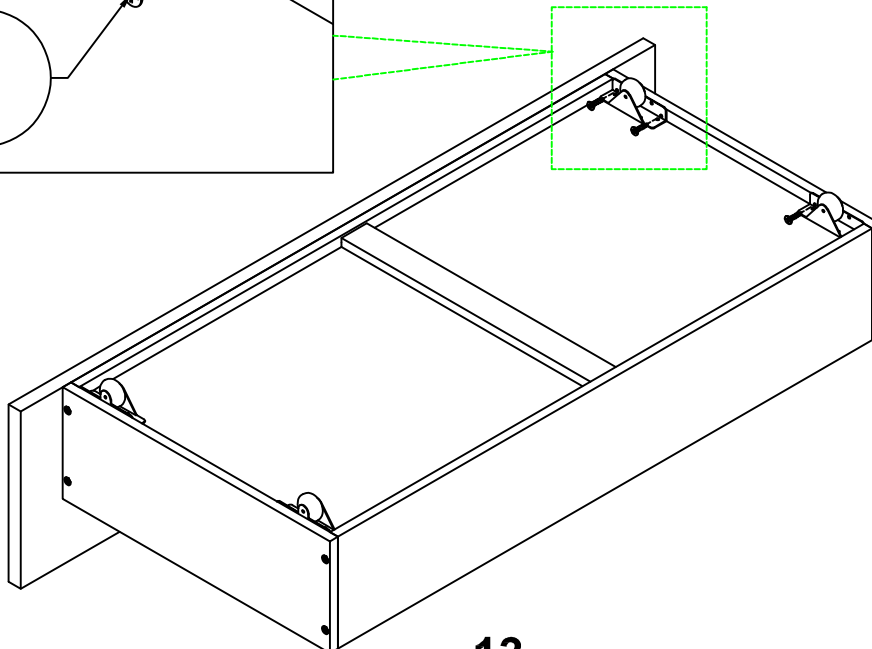
7



16pcs



x2



# FINISH

