

ENTERTAINMENT CENTER

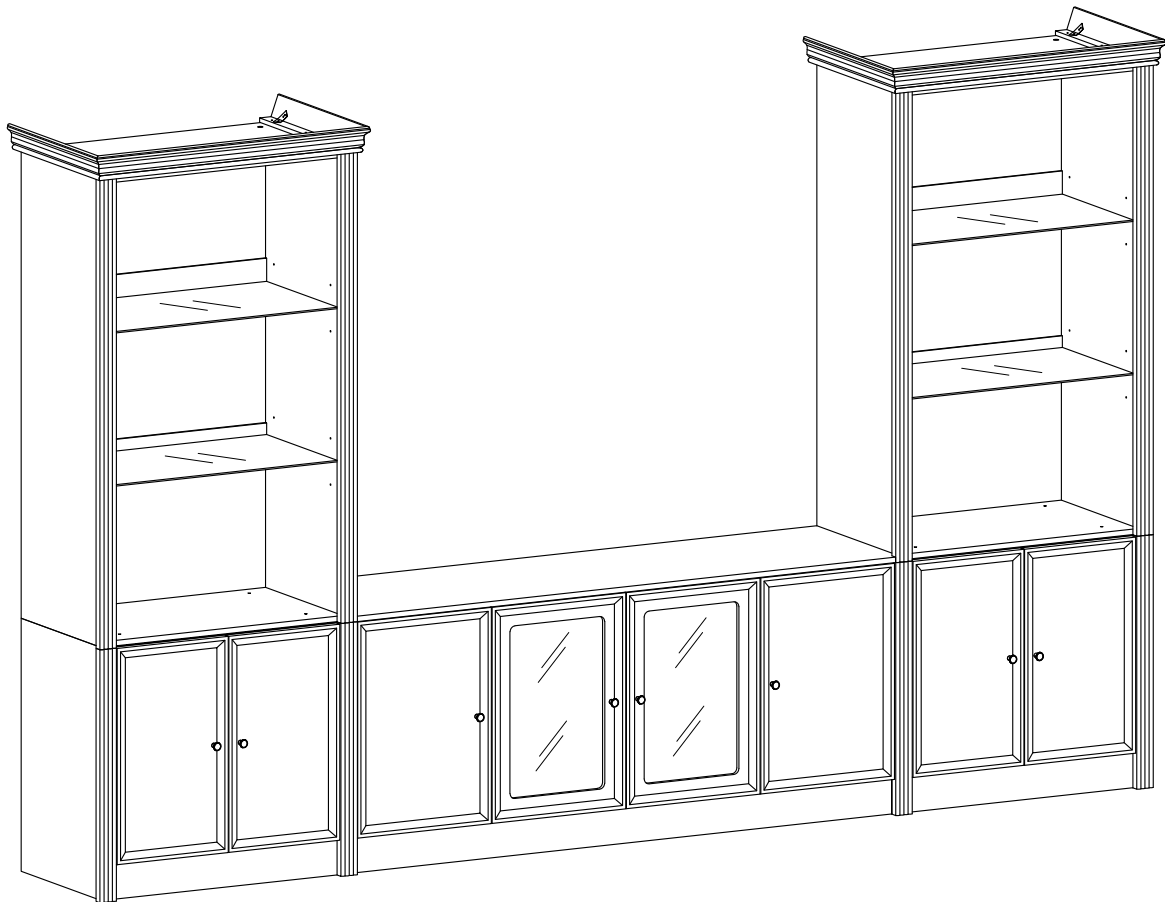
N724P372509

N724P372510

N724P372511

N724P372512

N724P372513



DIMENSIONS

width - 130.5inch

Depth - 19.5inch

Height - 81.75inch

Important - Please read these instructions fully before starting assembly.

1. Thank you for choosing *our products*.

2. Return Policy



DO NOT RETURN TO THE STORE! Skip the process of returning your product and contact us directly for a replacement

If you find that parts of your order are missing or damaged, we will gladly ship any needed replacement parts free of charge.

If your product's quality does not meet your expectations or you have found any sort of defect, please contact our customer service department and let us know the details of your order and any issues encountered, we will try our best to provide you with a solution. Feel free to also directly contact our manufacturer concerning needed replacement parts and they will be happy to help provide you with a solution or answer any questions you may have.

Recommendations Before Beginning Assembly



• Read instructions, cover to cover



• Have 2-4 adults on hand for assembly depending on product size



• Do not assemble directly on flooring or carpet



• Assemble on a clean non-marring surface (example: packing foam)



• Save all packaging until finished











3. Assembly Notice:

- If you encounter any problems during assembly and find that you cannot continue, rest assured we will help you solve the situation as soon as possible. Simply keep all of the parts of the product stored in a safe place and contact us immediately so we may assist you further.
- Once you have opened your package, remove all inner hardware packages and take the parts out. One by one, Place the parts out neatly in front of you, then refer to the instructions to ensure no parts are missing. If any pieces are found missing, please carefully look in the box first, as the hardware packaging might have torn making the hardware spill in the box.
- Some key parts of your product may be stored and hidden inside of other parts. Please open any zippered or hook & loop storage compartments to remove all parts. (example: cushions and legs being stored in the underside of a sofa)
- **IMPORTANT:** When setting up your product, **DO NOT INSTALL THE SCREWS ALL THE WAY IN THE BEGINNING.** Place each screw into their proper hole and use your hand to twist the screw halfway. Twist all the screws in halfway to ensure the holes will match up properly and the product is level on the ground. When everything seems fitted, then

tighten the screws.

- When you have completed assembly, we suggest you have more than one person to assist you with lifting and placing the product.

Care & Maintenance

- ⊘  ● Do not put hot items directly on furniture surface
- ⊘  ● Do not clean furniture with harsh cleansers or polish
- ⊘  ● Do not place furniture under direct sunlight
- ⊘  ● Do not place furniture near heating or cooling vents
- ⊘  ● Do not write on furniture without a padded barrier to protect the surface
- ⊘  ● Do not place furniture outside. For indoor use only
- ⊘  ● Not for commercial use. For residential use only
- ⊘  ● Stains may be removed with mild soap solution and damp cloth
- ⊘  ● Children should not climb or jump on the furniture
- ✓  ● Dust and pick-up spills using a clean, non-colored, lint-free cloth

Caution

- This product contains small components. Please ensure that they are kept away from small children.
- Do not use power tools to assemble your furniture. Power tools may strip or damage the parts.

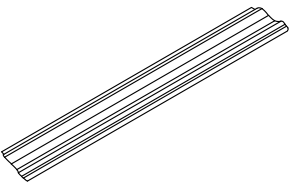
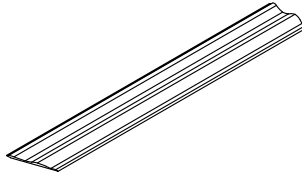
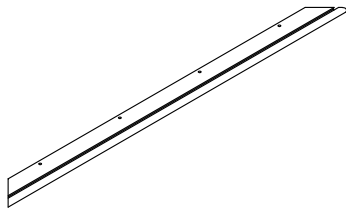
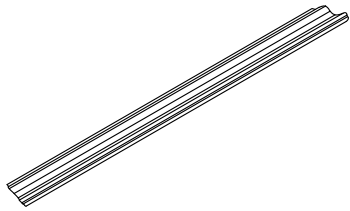
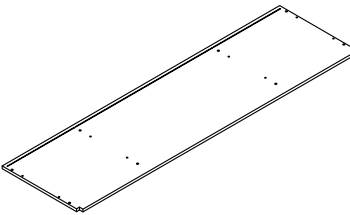
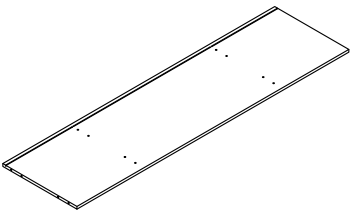
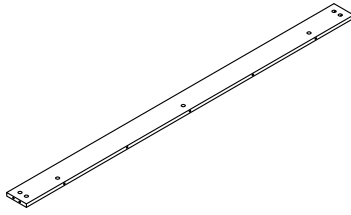
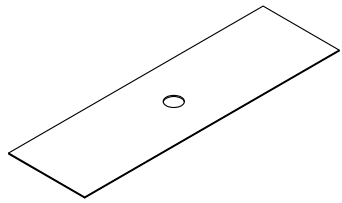
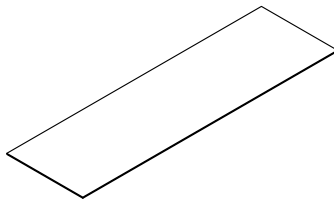


components - fittings

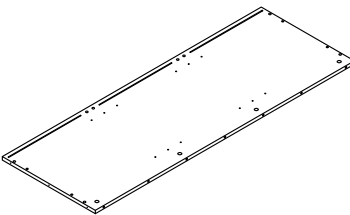
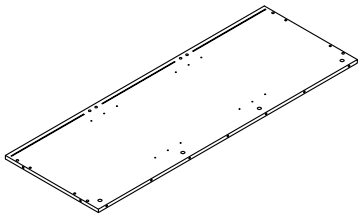
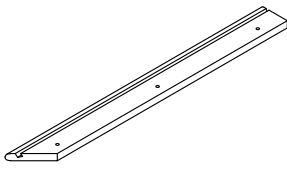
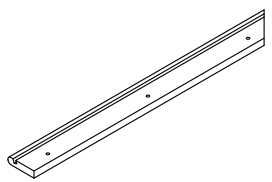
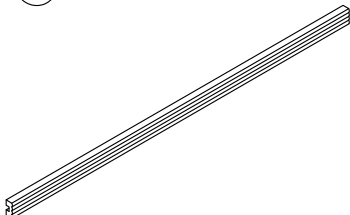
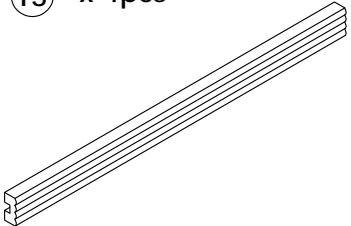
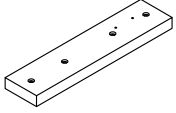
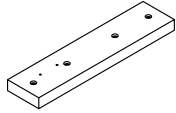
Please check you have all the panels listed below.

Note: The quantities below are the correct amount to complete the assembly. In some cases more fittings may be supplied than are required.

N724P372509

<p>⑩ x 2pcs</p> 	<p>⑪ x 2pcs</p> 	<p>⑫ x 2pcs</p> 	<p>⑬ x 2pcs</p> 
<p>⑳ x 1pc</p> 	<p>㉓ x 1pc</p> 	<p>㉖ x 2pcs</p> 	<p>㉙ x 1pc</p> 
<p>㉚ x 1pc</p> 			

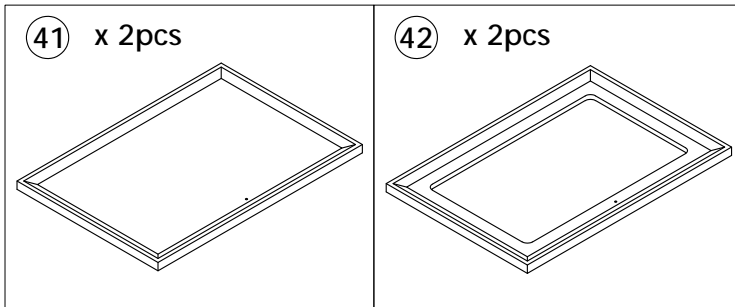
N724P372510

<p>① x 2pcs</p> 	<p>② x 2pcs</p> 	<p>⑧ x 2pcs</p> 	<p>⑨ x 2pcs</p> 
<p>⑭ x 4pcs</p> 	<p>⑮ x 4pcs</p> 	<p>⑯ x 4pcs</p> 	<p>⑰ x 4pcs</p> 

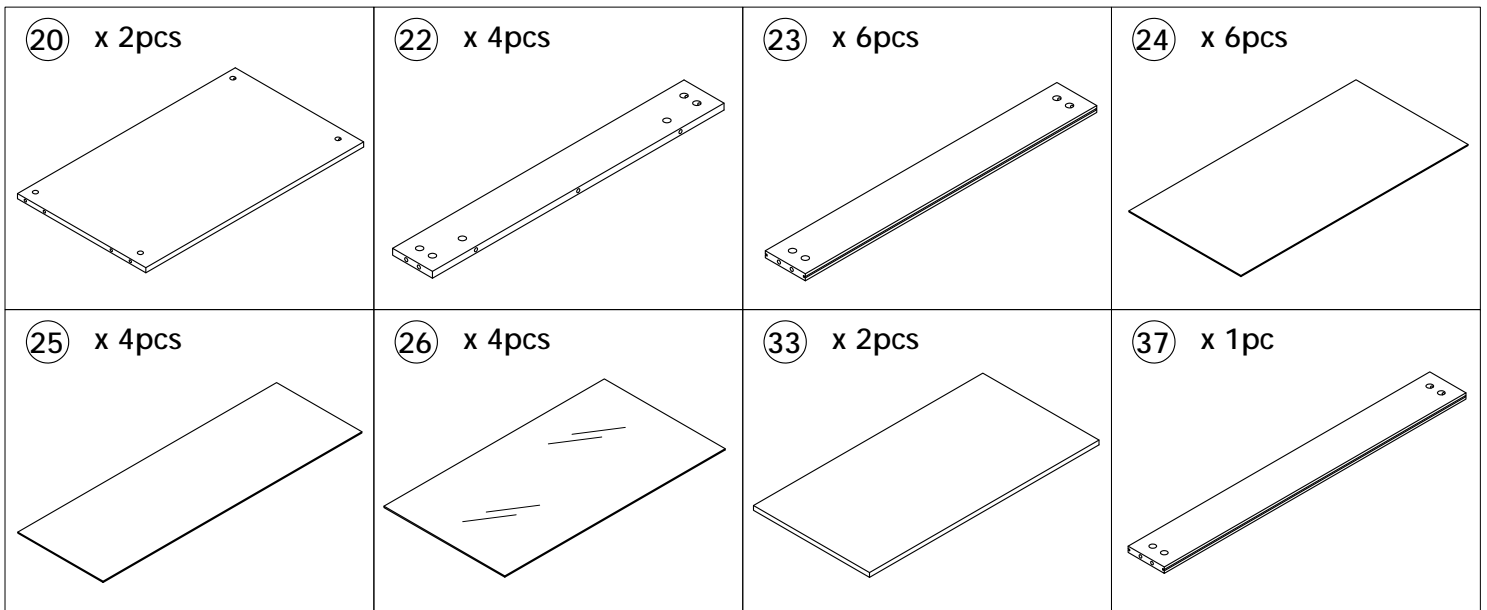
components - fittings

Please check you have all the panels listed below.

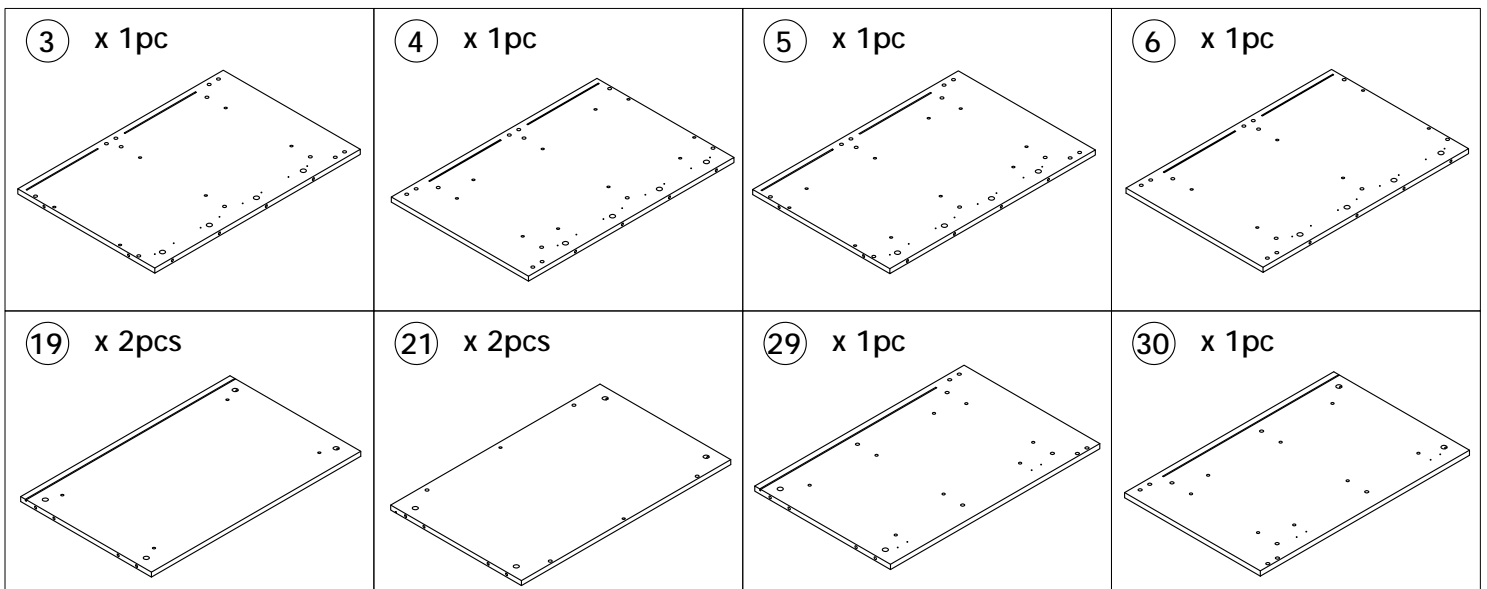
Note: The quantities below are the correct amount to complete the assembly. In some cases more fittings may be supplied than are required.



N724P372511



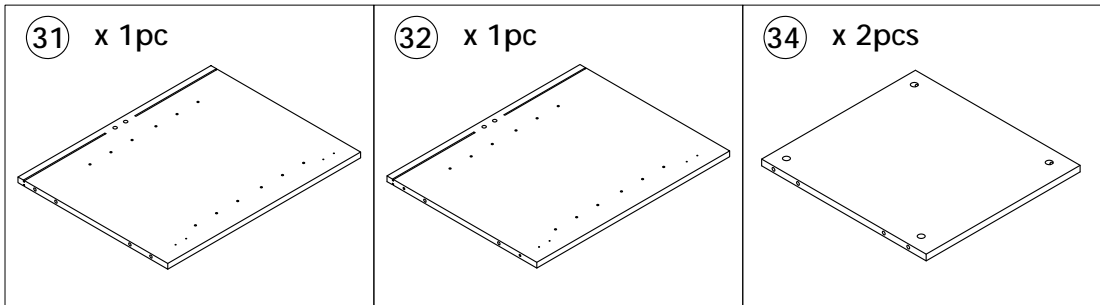
N724P372512



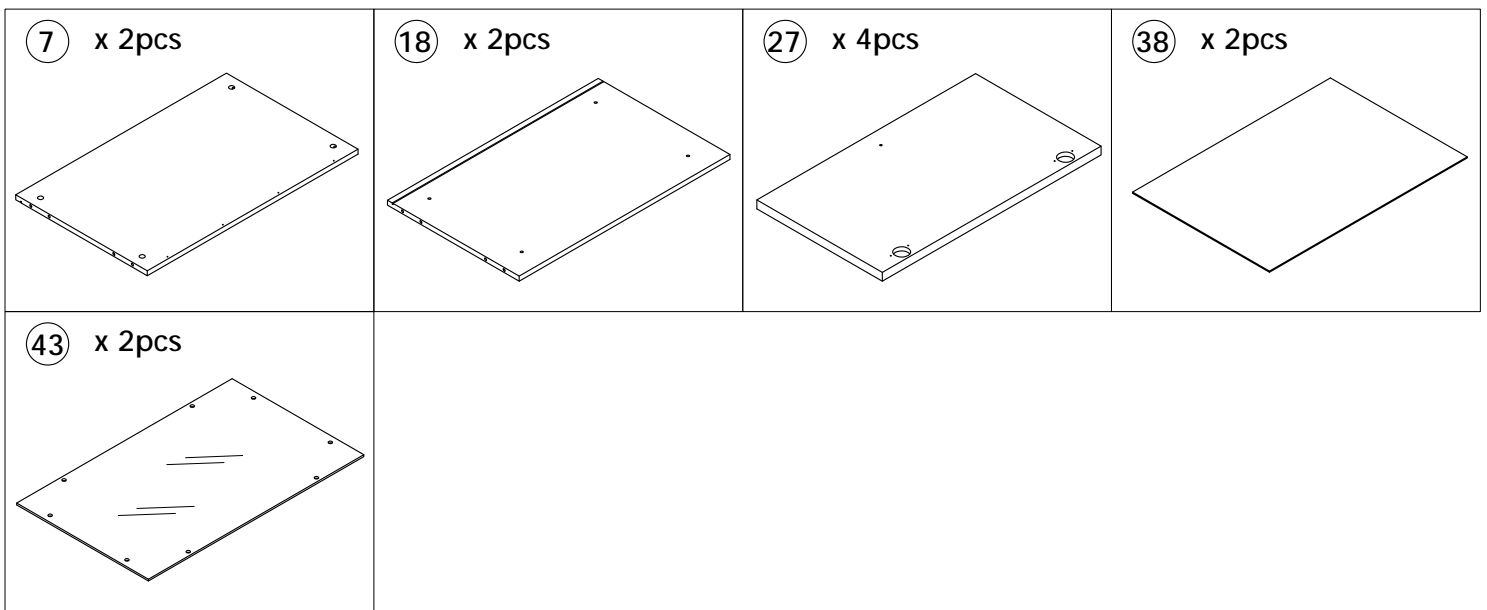
components - fittings

Please check you have all the panels listed below.

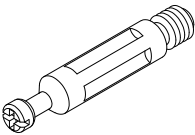

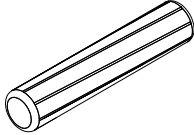
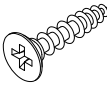
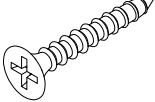




Note: The quantities below are the correct amount to complete the assembly. In some cases more fittings may be supplied than are required.



N724P372513



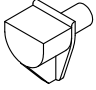
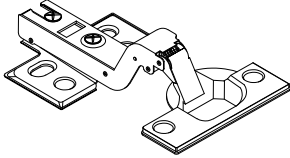
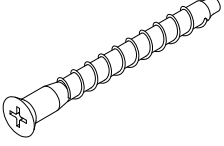
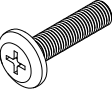

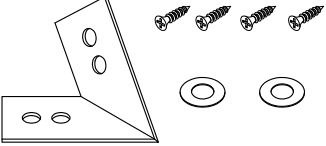

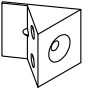
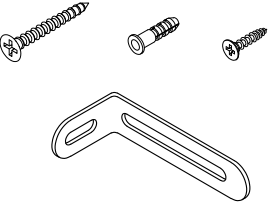
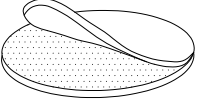
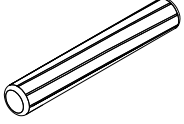

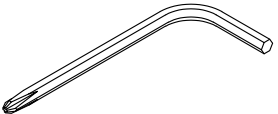
Hardware-Liste N724P372513

<p>A x 158sets</p>  <p>A1</p>  <p>A2</p>	<p>B x 84pcs</p>  <p>8 x 40mm</p>	<p>C x 150pcs</p>  <p>3.5 x 14mm</p>	<p>D x 52pcs</p>  <p>4 x 25mm</p>
<p>E x 16pcs</p> 	<p>F x 6pcs</p>  <p>4 x 16mm</p>	<p>G x 2pcs</p>  <p>4 x 12mm</p>	<p>H x 8pcs</p> 

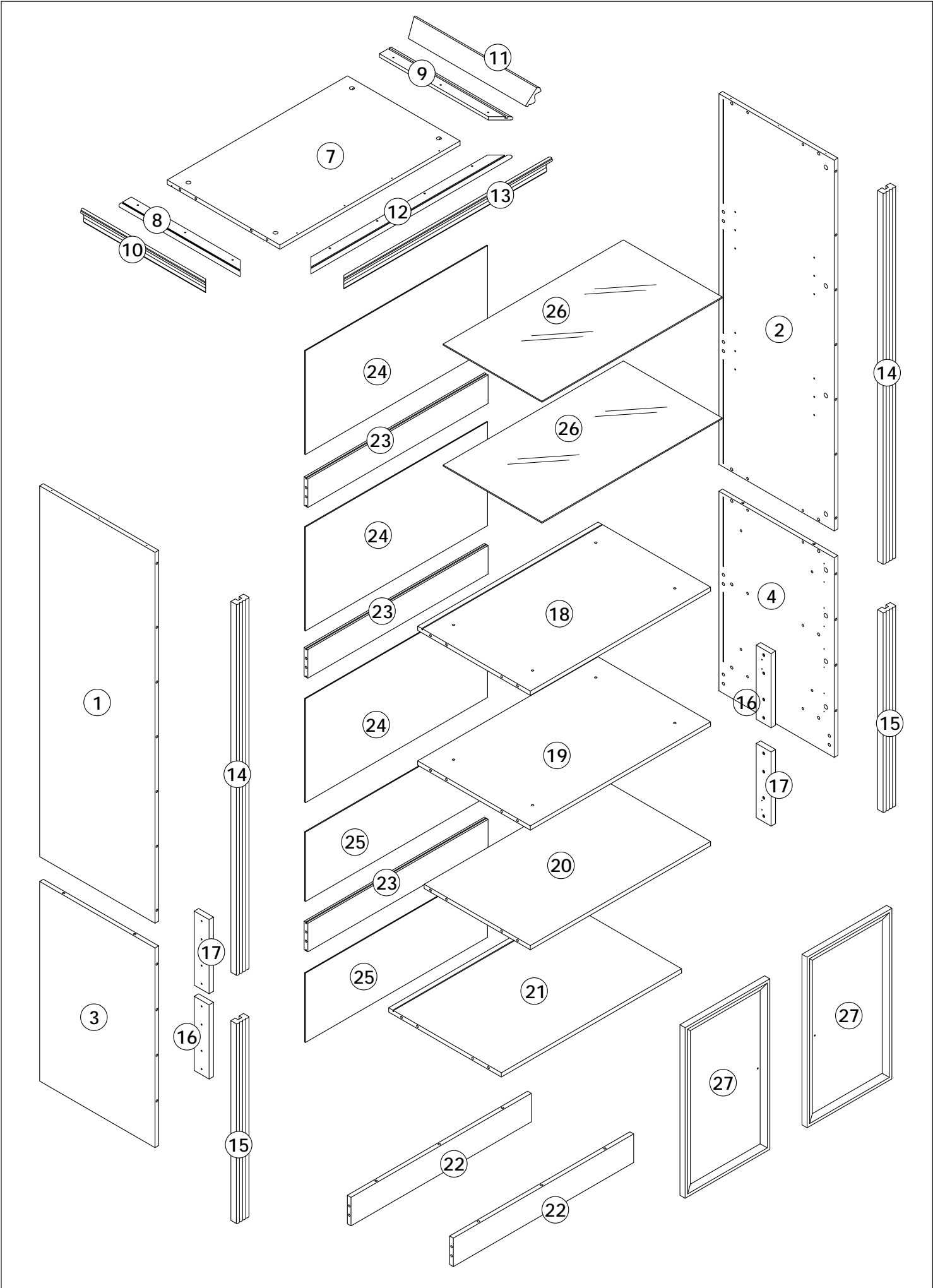
components - fittings

Please check you have all the panels listed below.

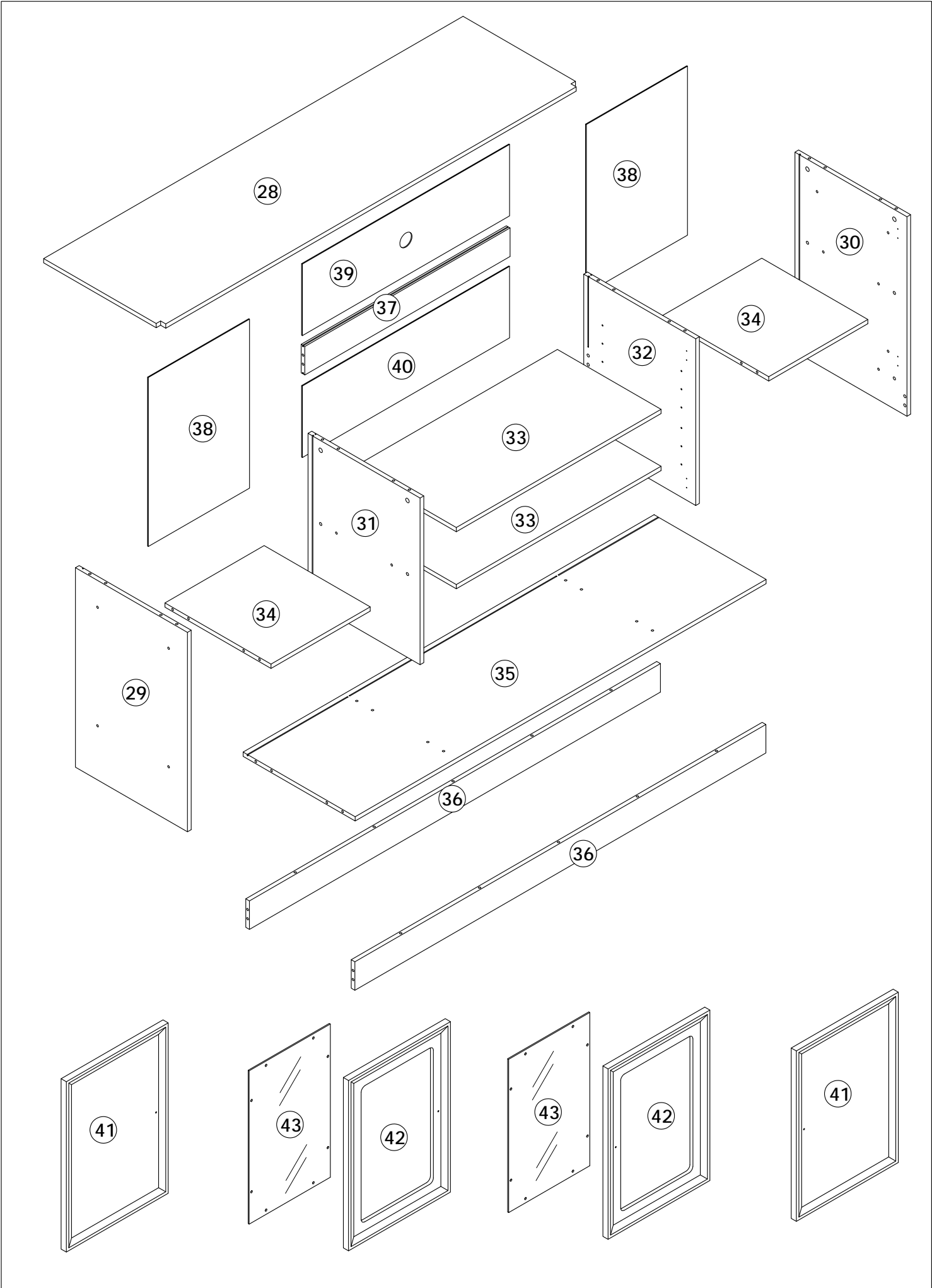
Note: The quantities below are the correct amount to complete the assembly. In some cases more fittings may be supplied than are required.

<p>J x 8pcs</p> 	<p>K x 16pcs</p> 	<p>L x 4pcs</p>  <p>7 x 50mm</p>	<p>M x 16pcs</p>  <p>M6 x 25mm</p>
<p>N x 16pcs</p>  <p>M6 x 15mm</p>	<p>P x 12sets</p> 	<p>Q x 4sets</p> 	<p>R x 54pcs</p> 
<p>S x 2sets</p> 	<p>T x 50pcs</p> 	<p>U x 8pcs</p>  <p>8 x 60mm</p>	<p>V x 16pcs</p>  <p>M6 x 12mm</p>
<p>W x 1pc</p> 			

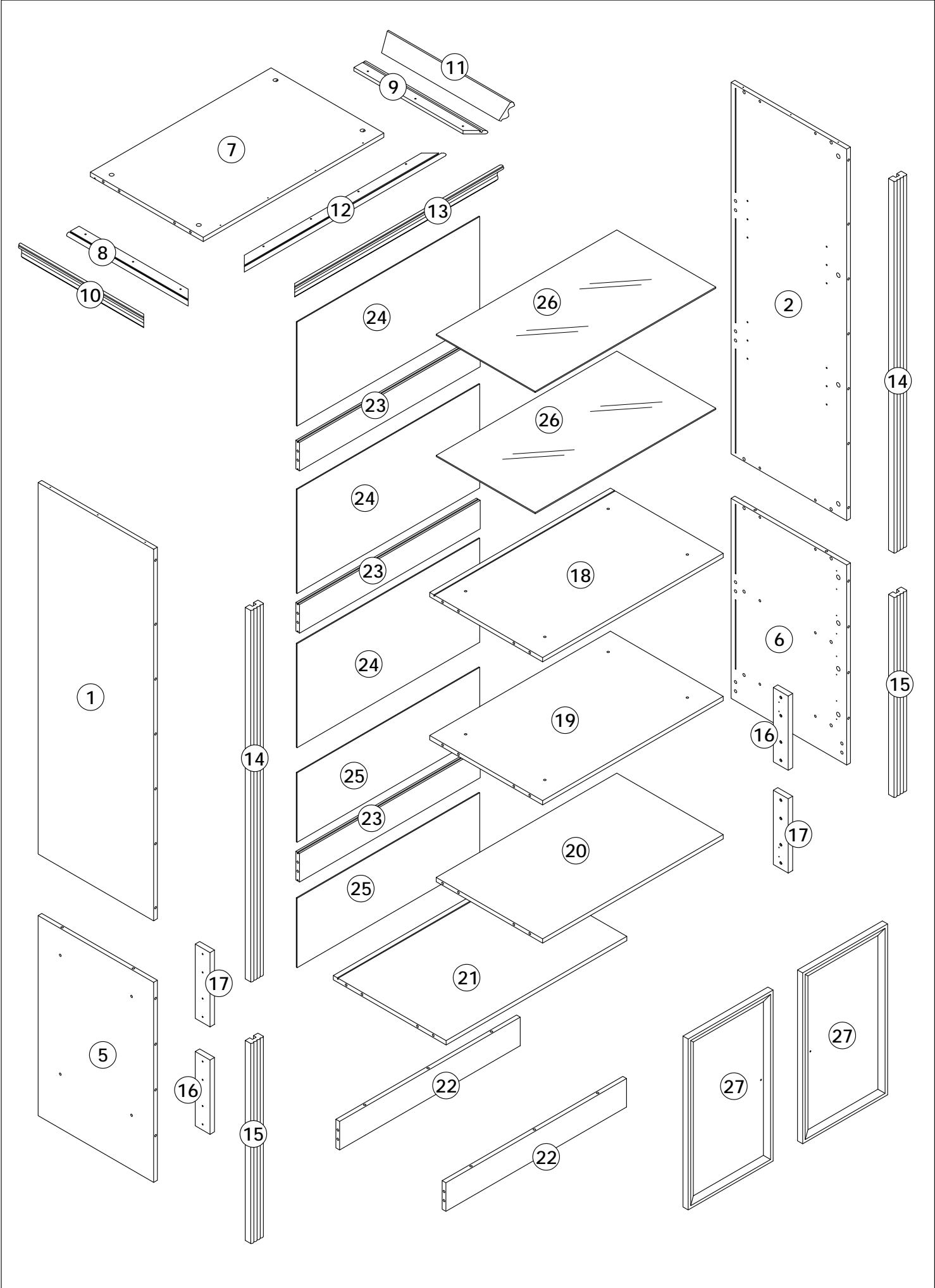
Assembly Instructions



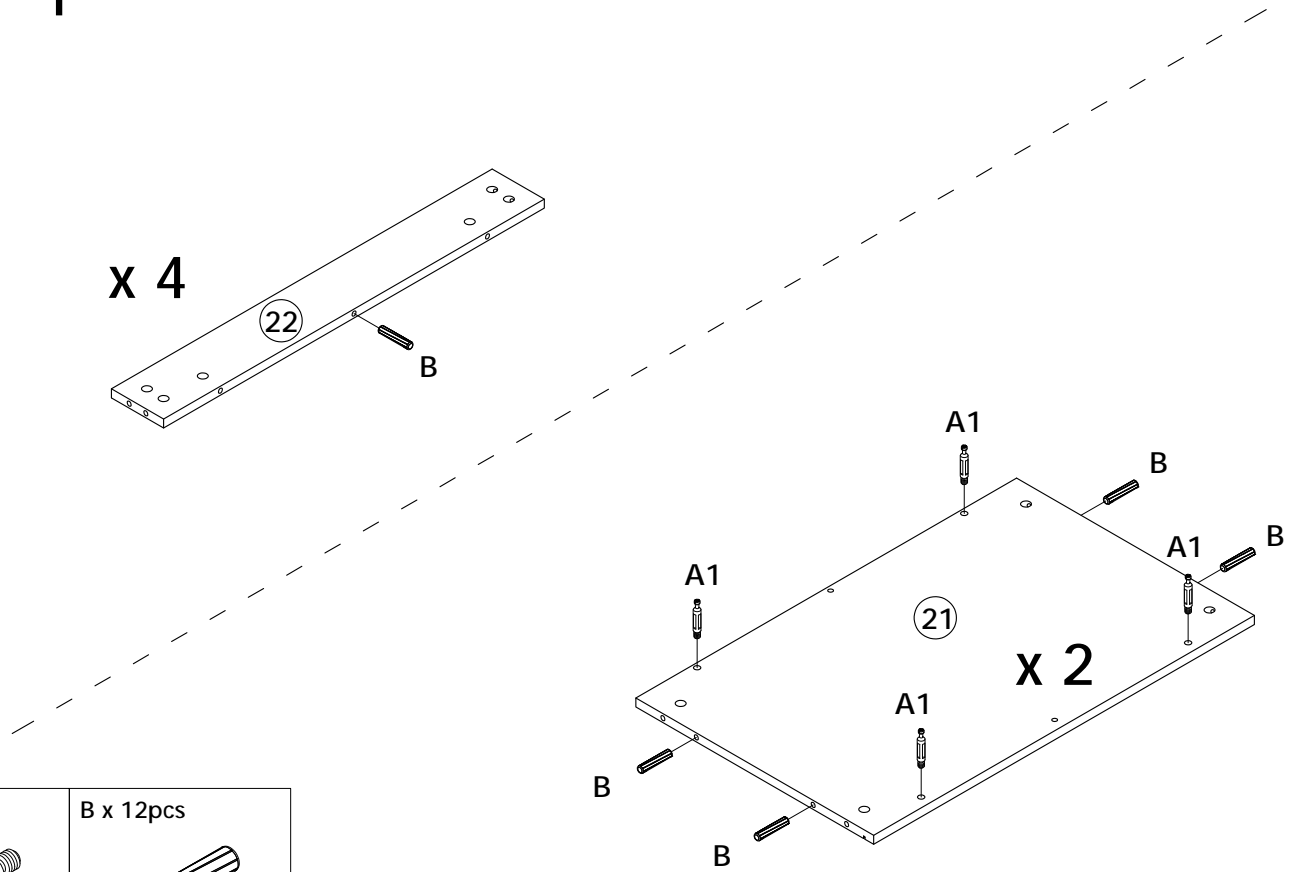
Assembly Instructions



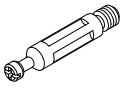
Assembly Instructions



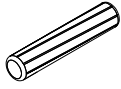
STEP 1



A1 x 8pcs

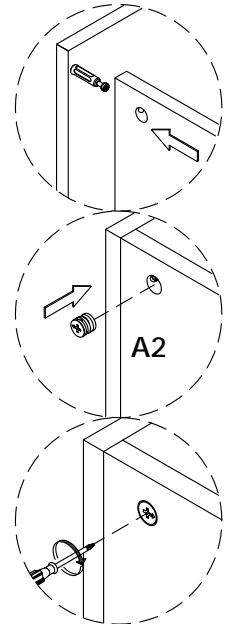
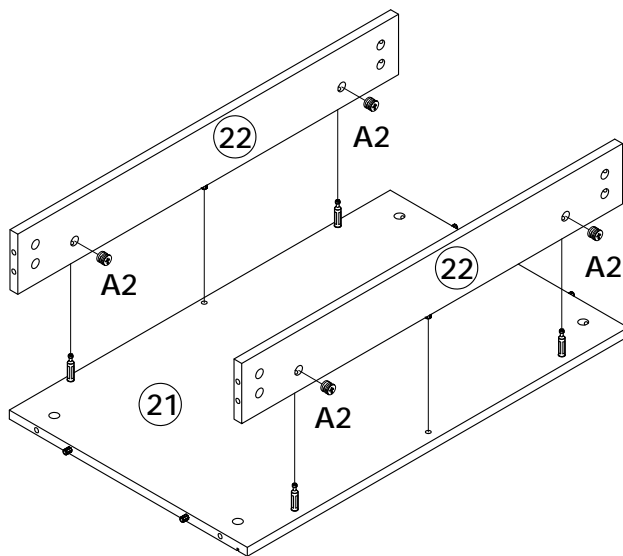


B x 12pcs



8 x 40mm

STEP 2



Need to rotate
and tighten A2

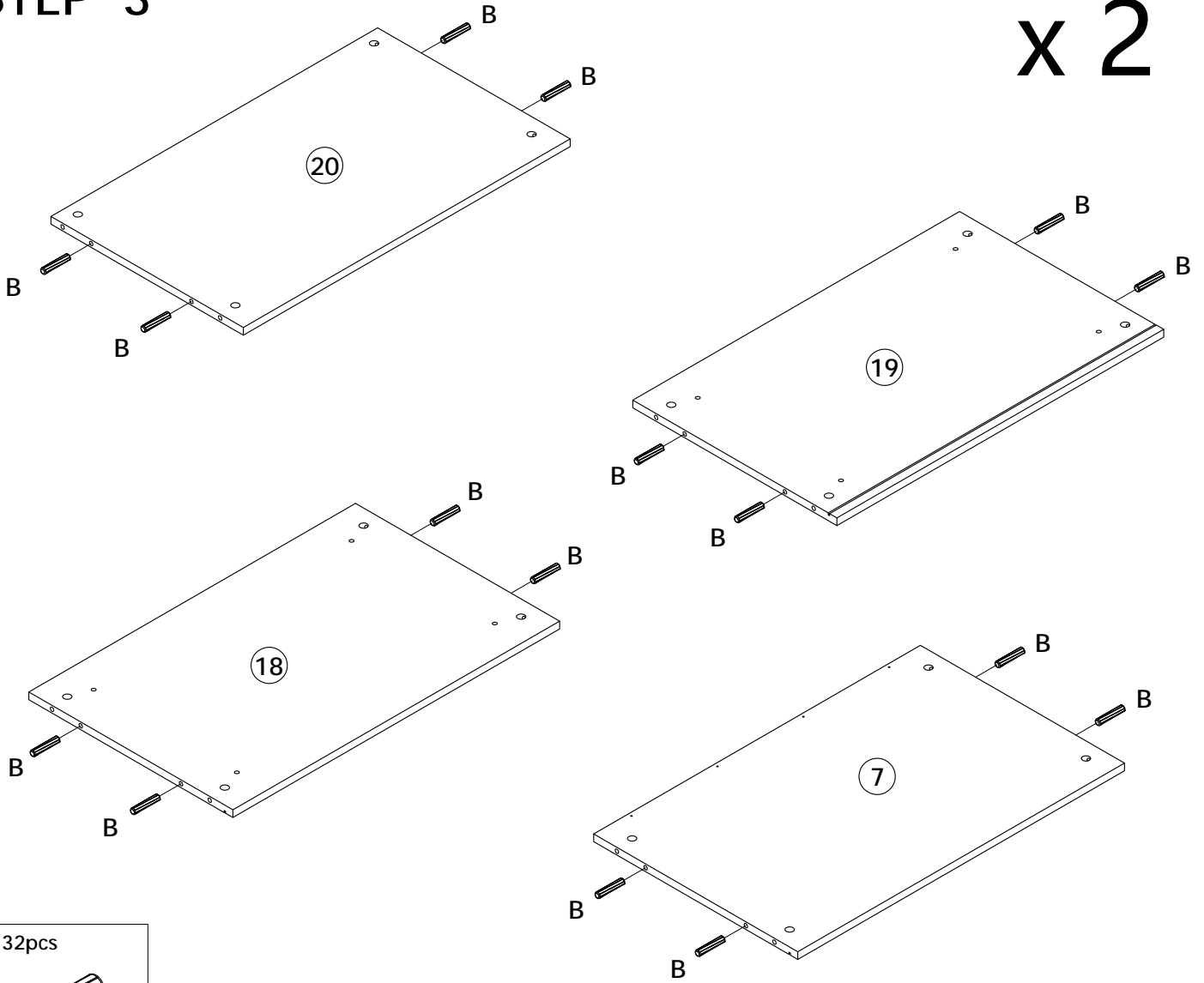
A2 x 8pcs



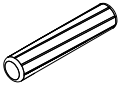
x 2

STEP 3

x 2



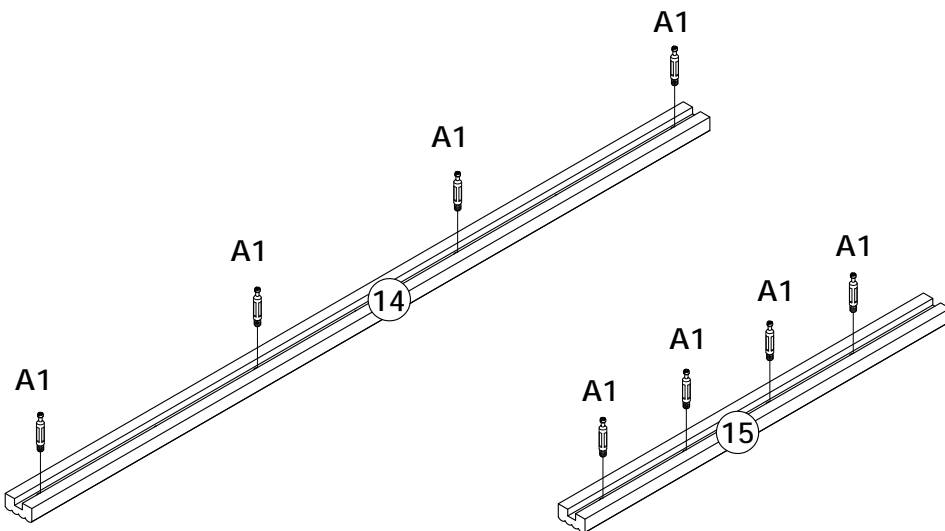
B x 32pcs



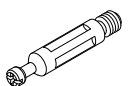
8 x 40mm

STEP 4

x 4

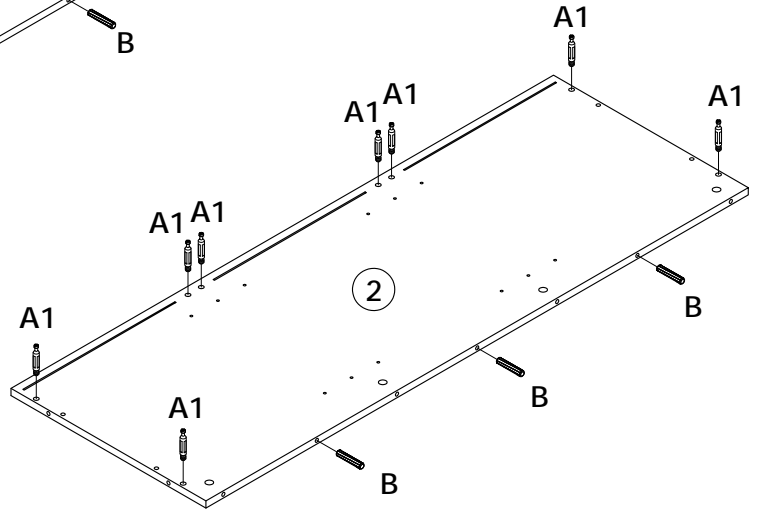
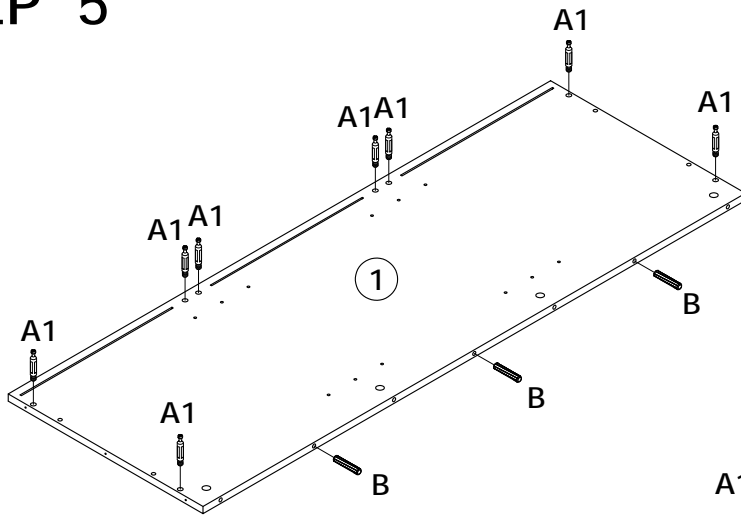


A1 x 32pcs



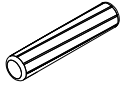
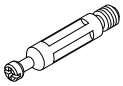
STEP 5

x 2



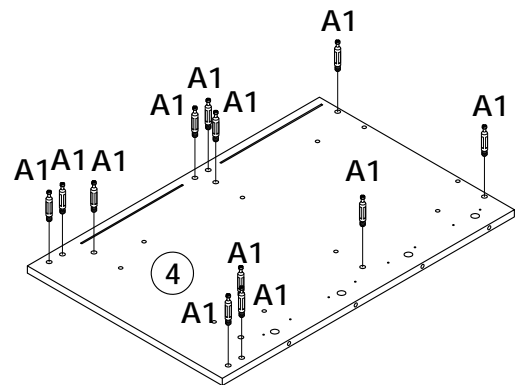
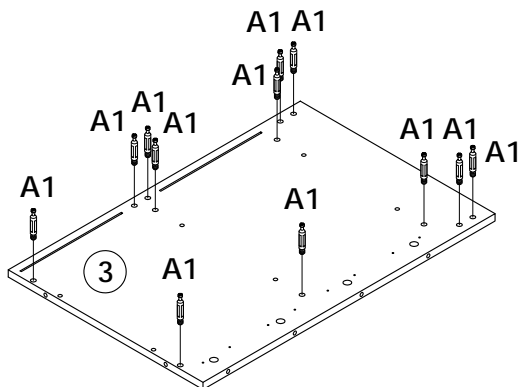
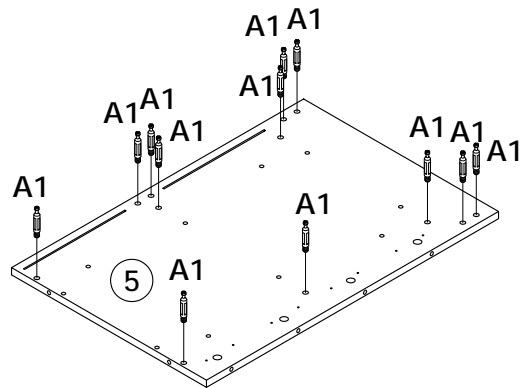
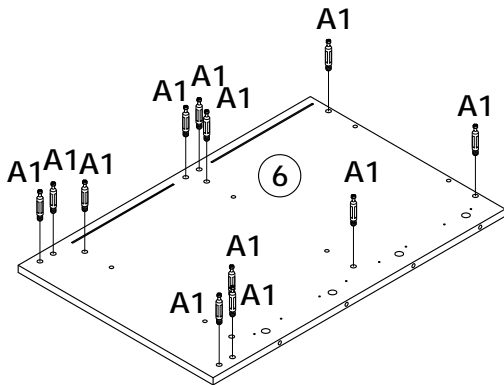
A1 x 32pcs

B x 12pcs

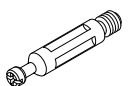


8 x 40mm

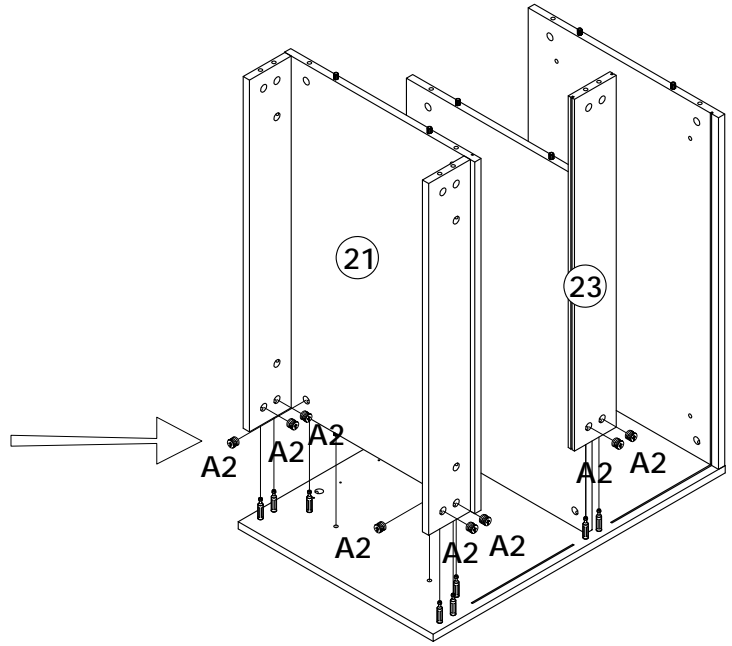
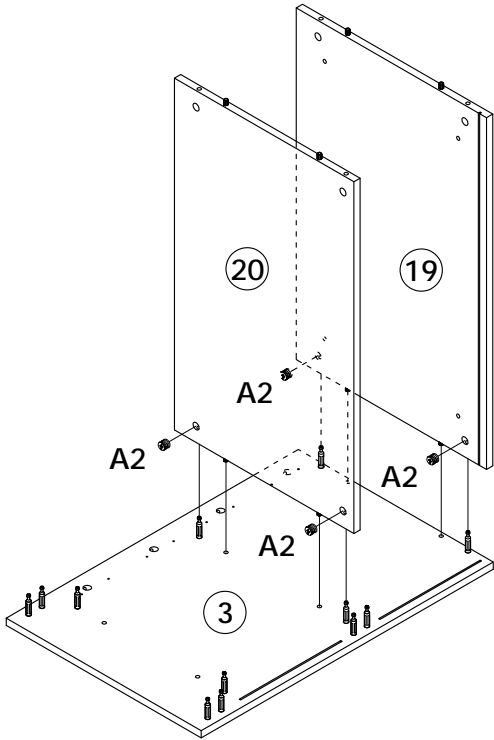
STEP 6



A1 x 48pcs



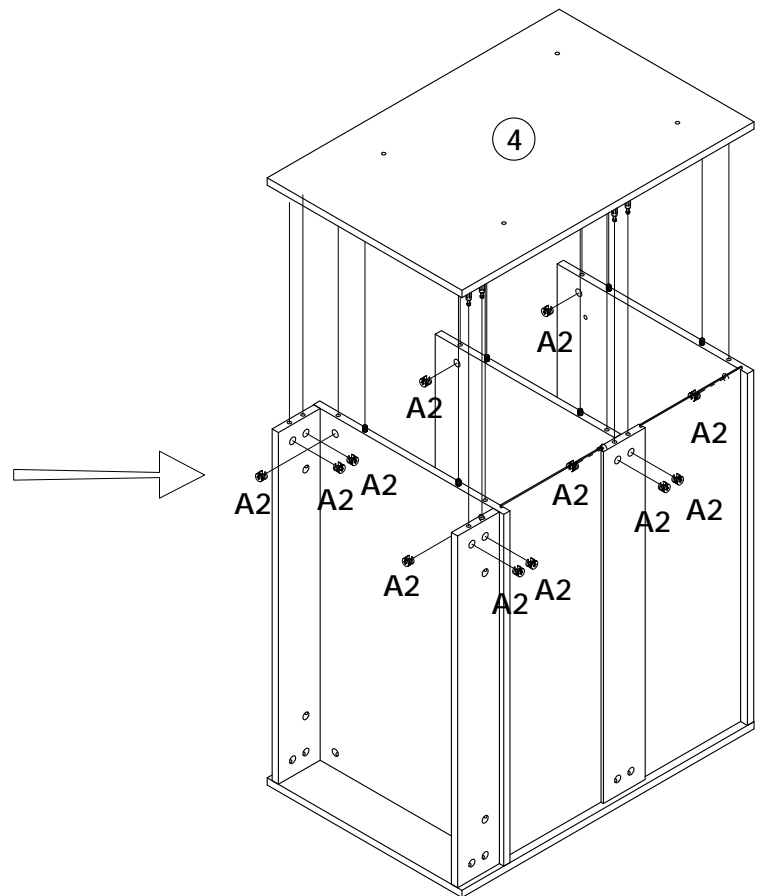
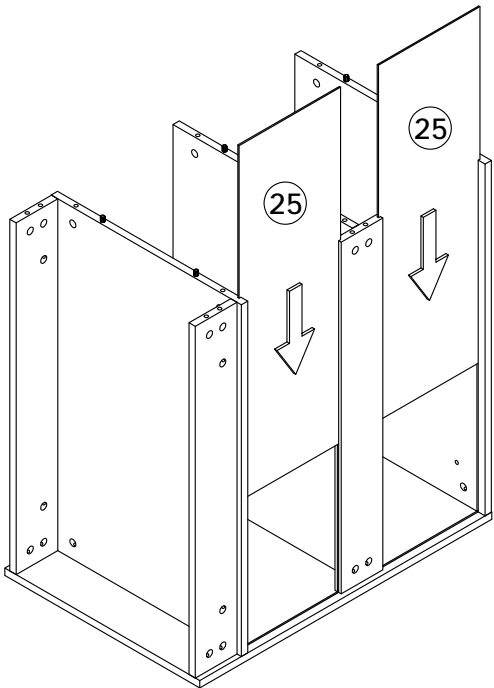
STEP 7



A2 x 12pcs



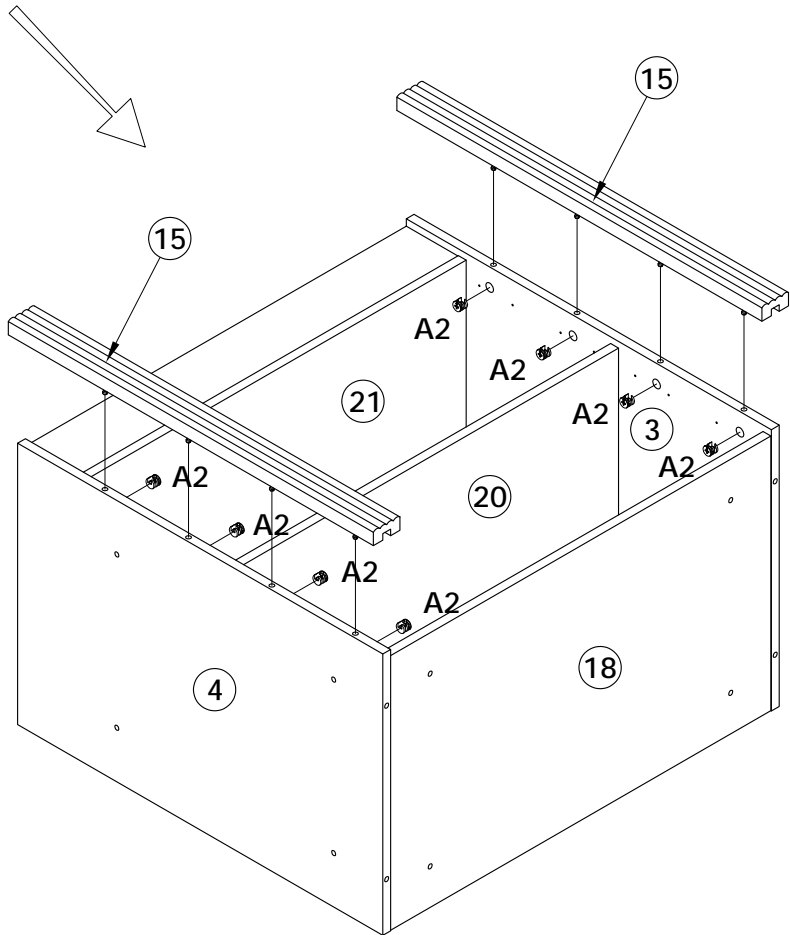
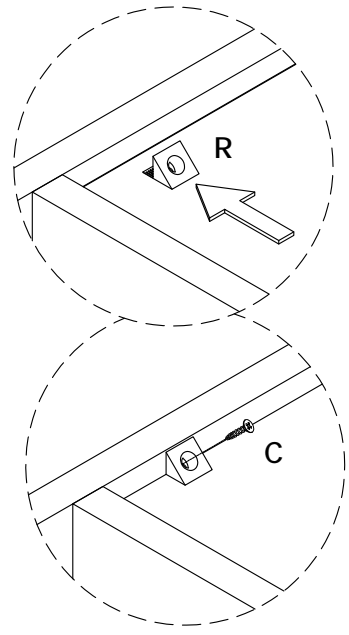
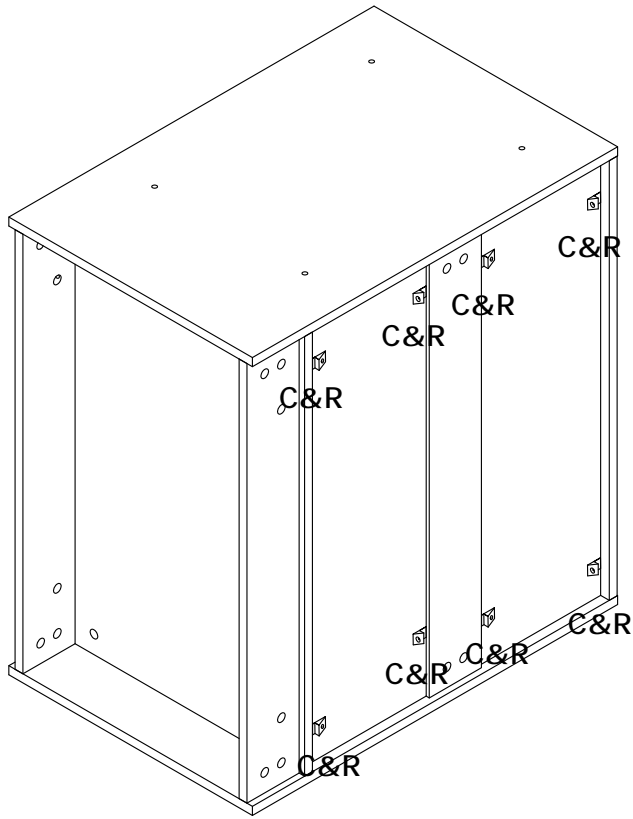
STEP 8



A2 x 12pcs



STEP 9



A2 x 8pcs



C x 8pcs

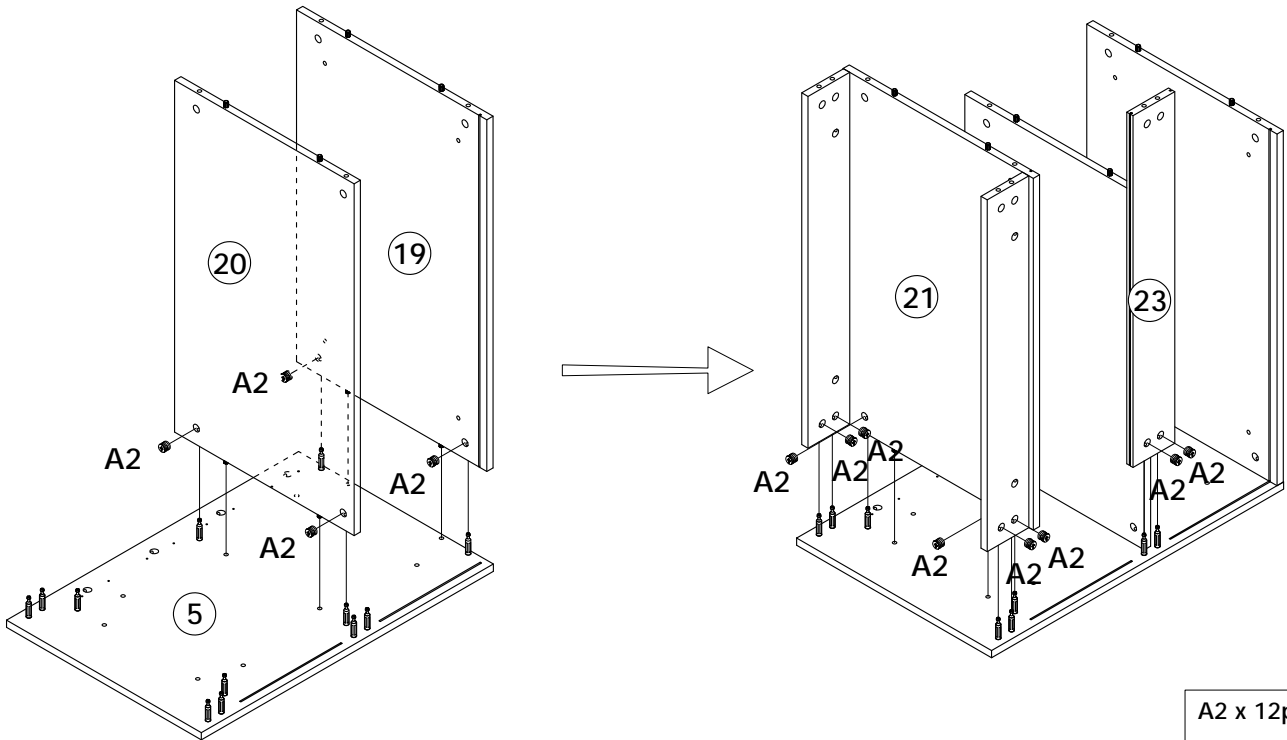


3.5 x 14mm

R x 8pcs



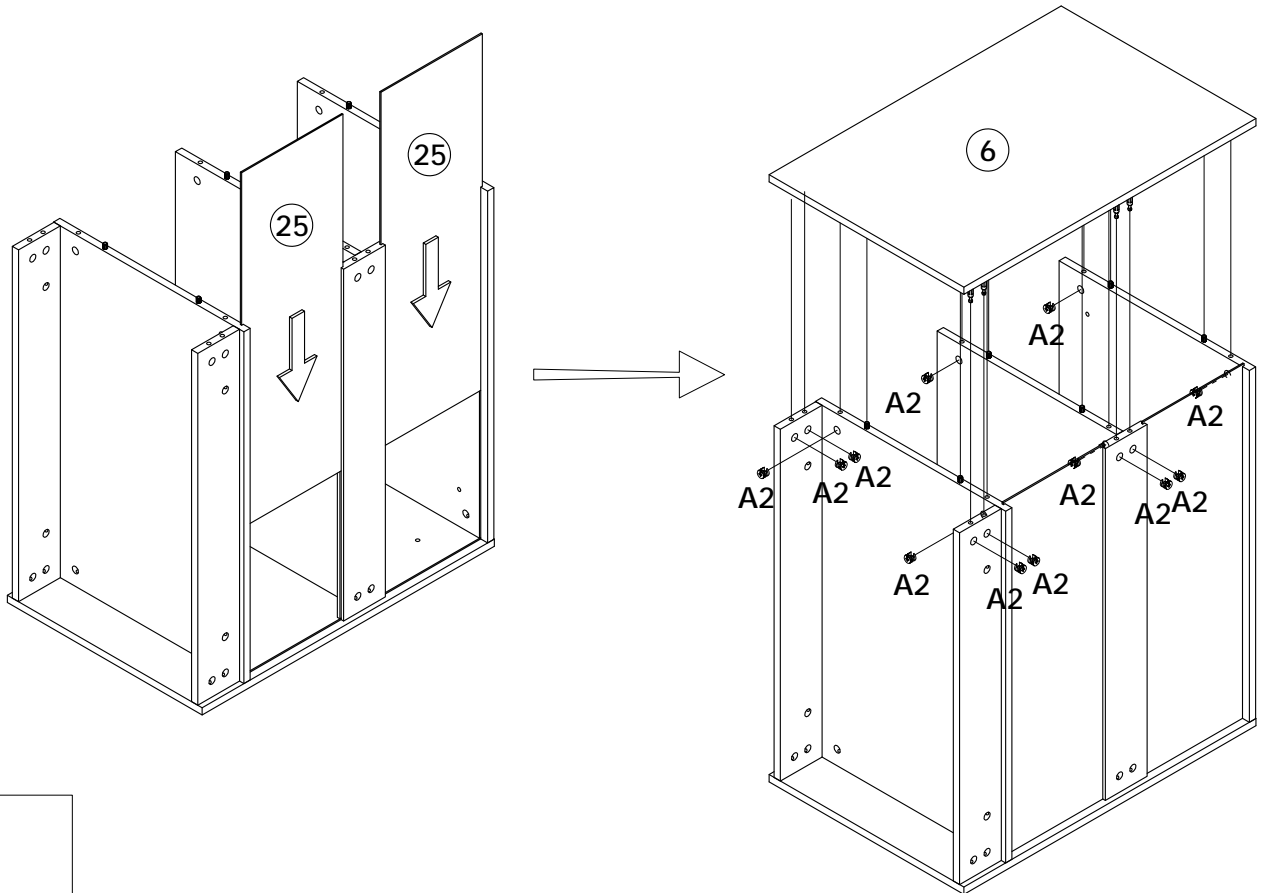
STEP 10



A2 x 12pcs



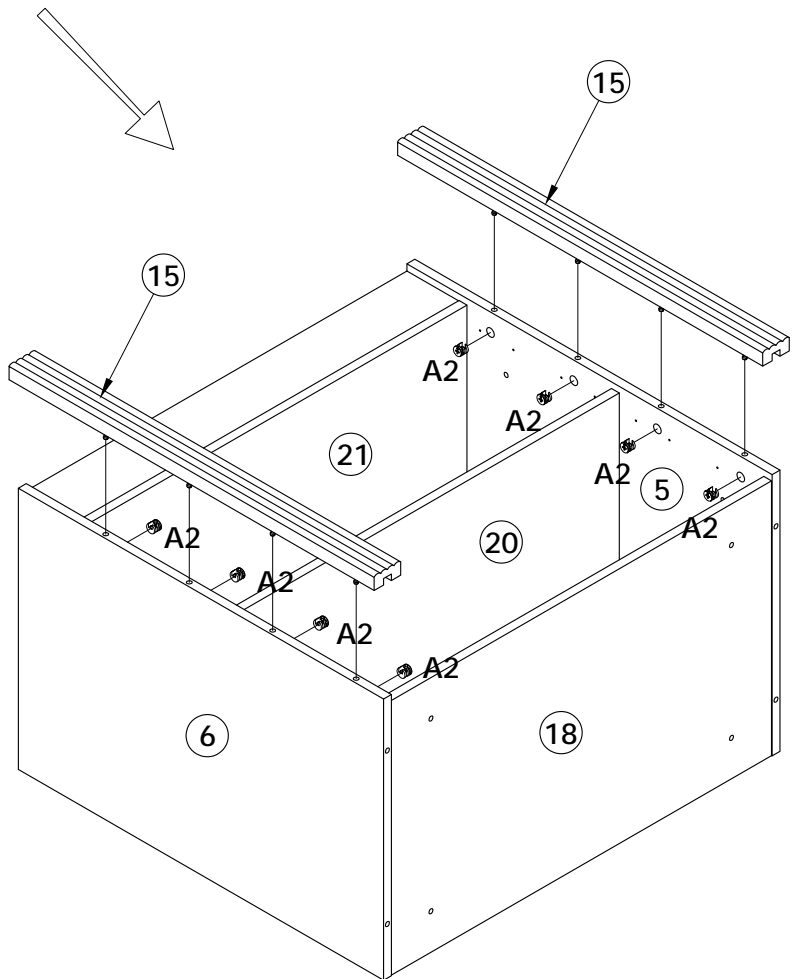
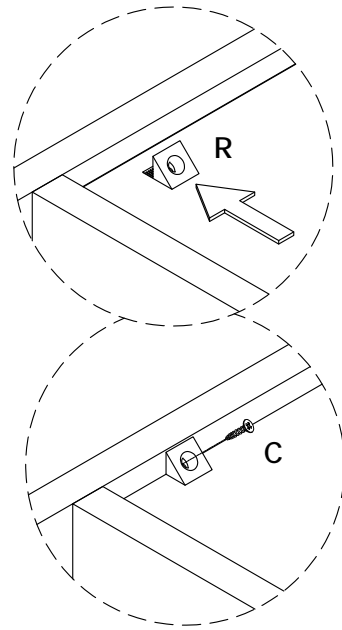
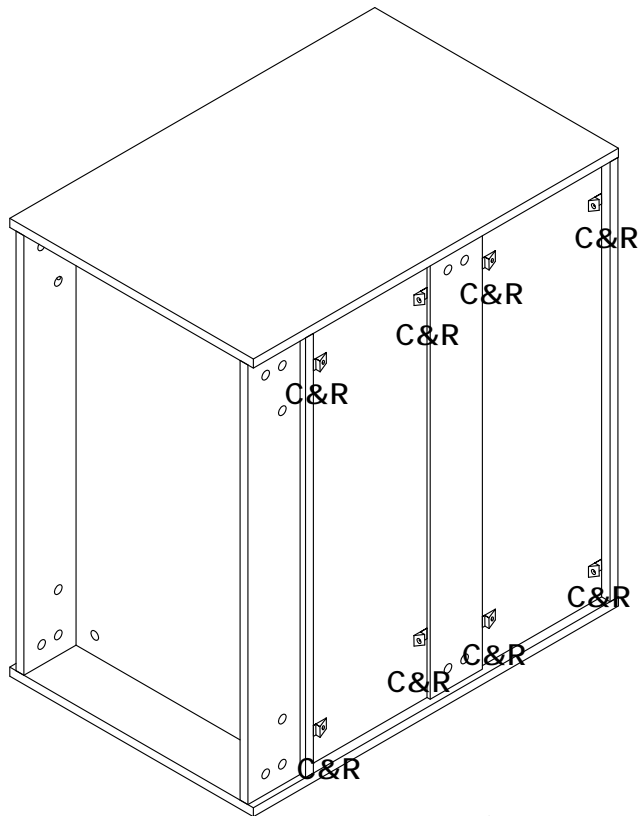
STEP 11



A2 x 12pcs



STEP 12



A2 x 8pcs



C x 8pcs



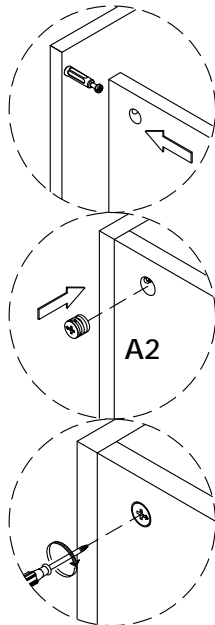
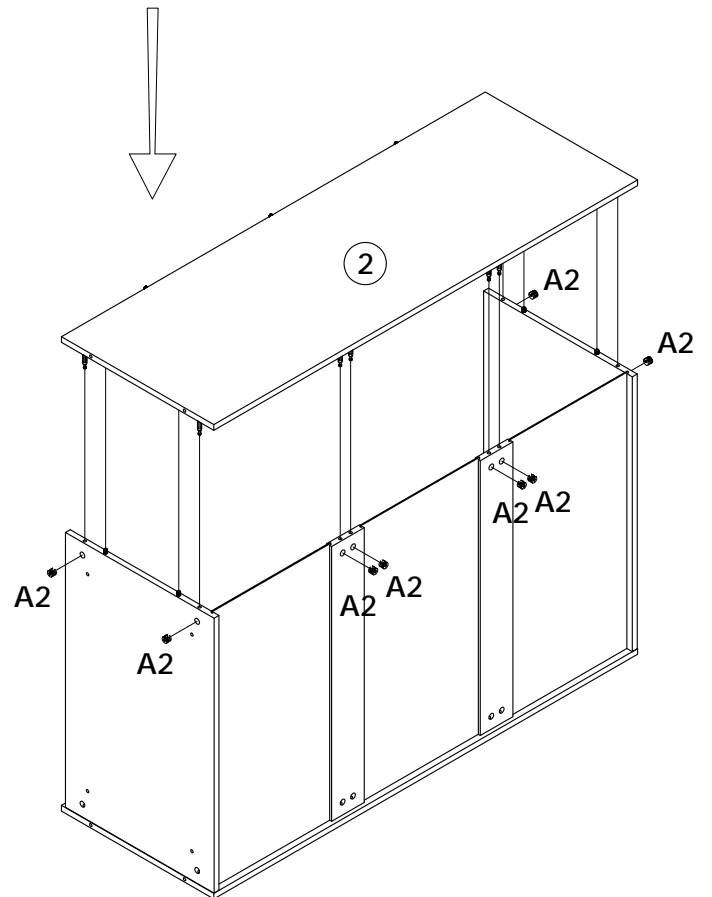
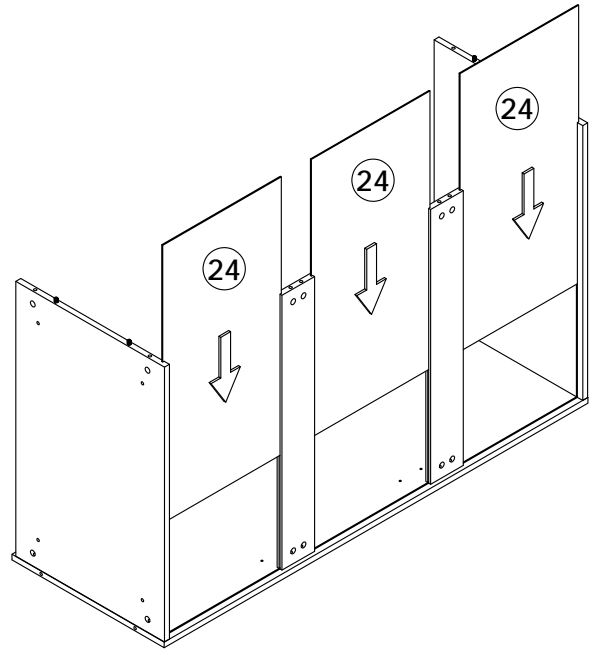
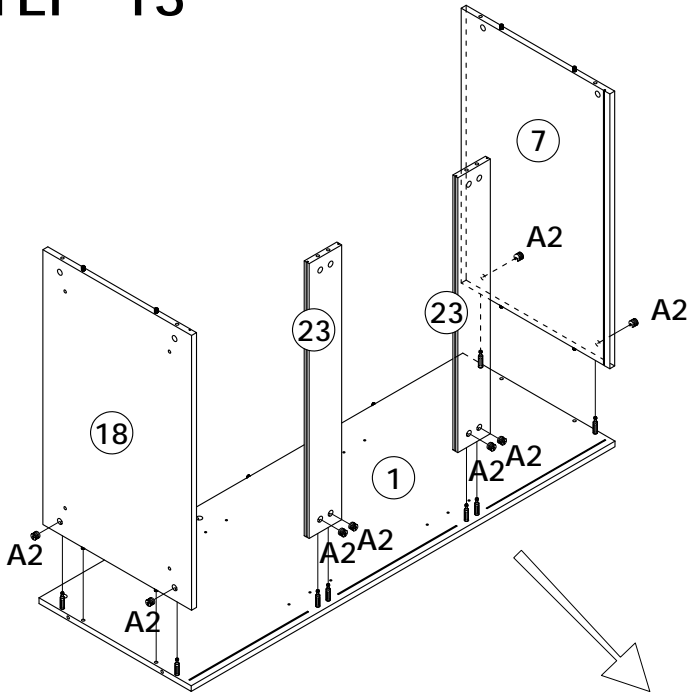
3.5 x 14mm

R x 8pcs



STEP 13

x 2

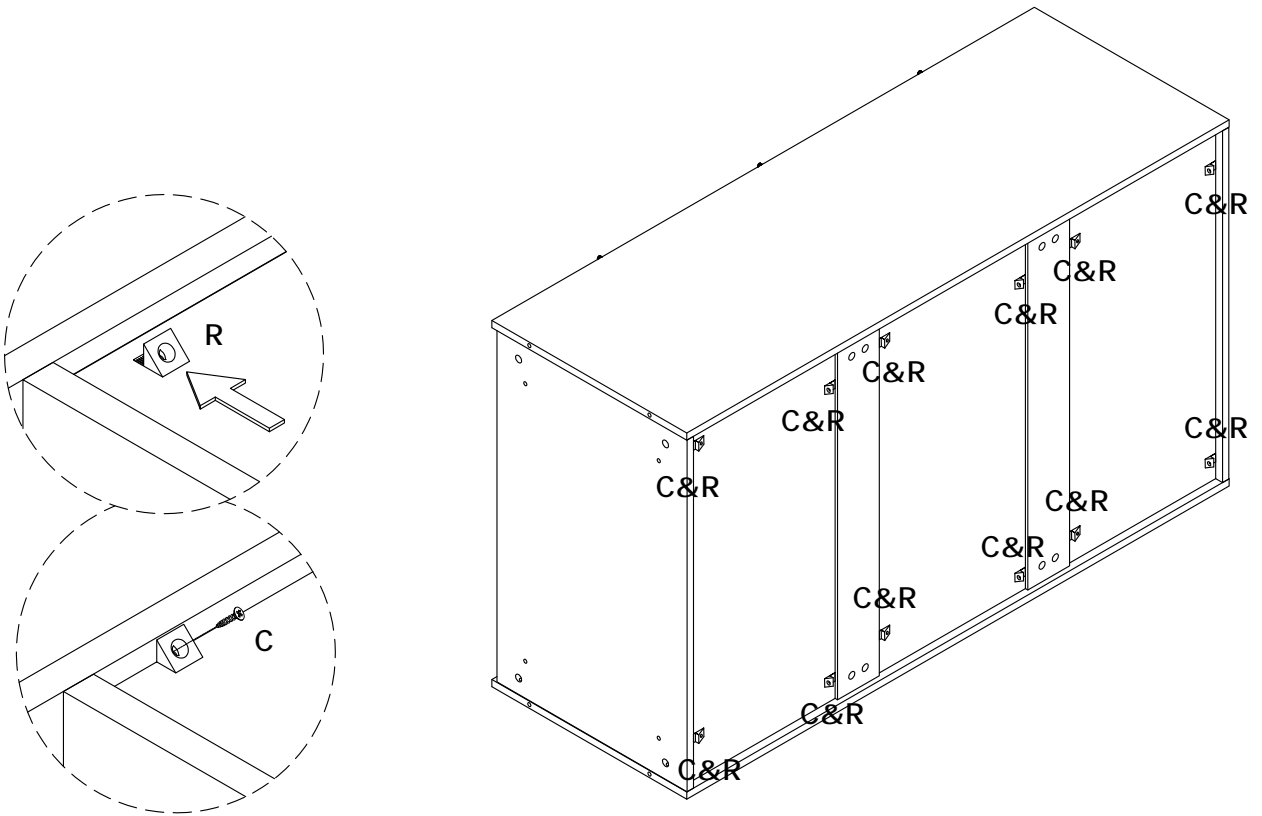


Need to rotate and tighten A2

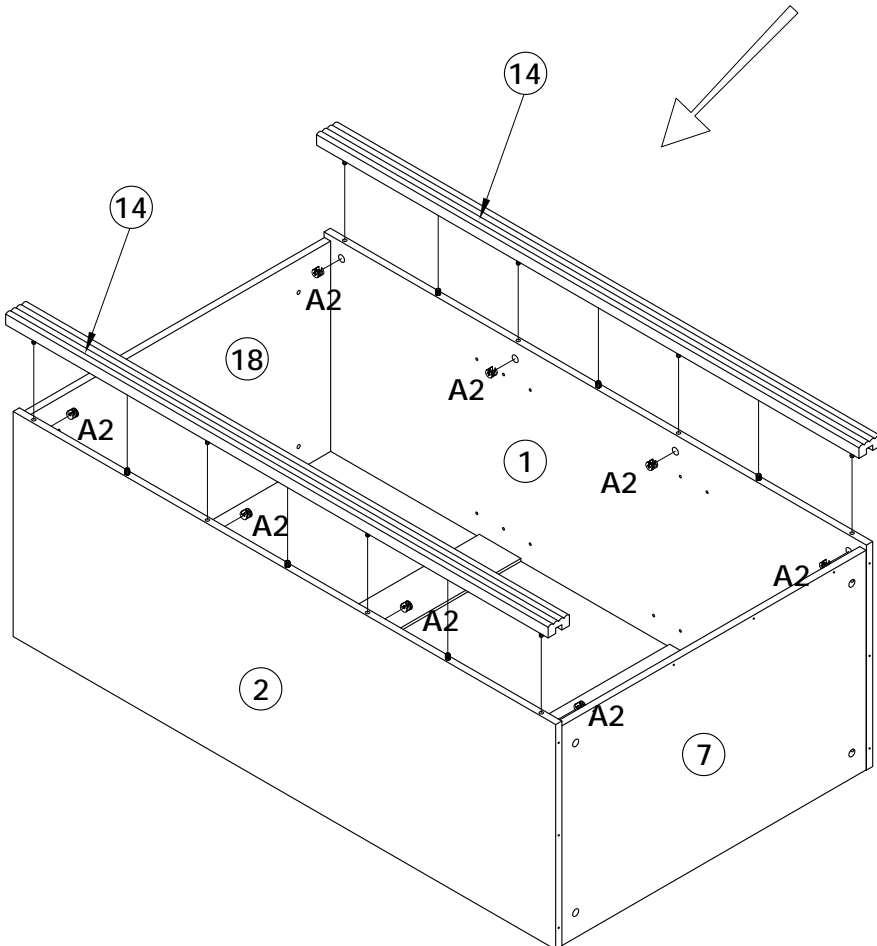
A2 x 32pcs



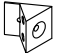


STEP 14



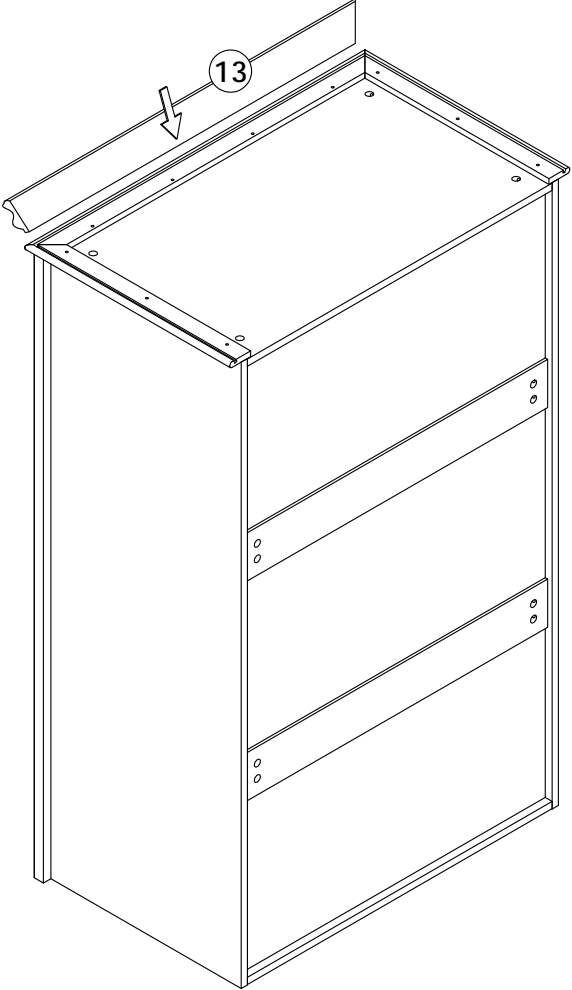
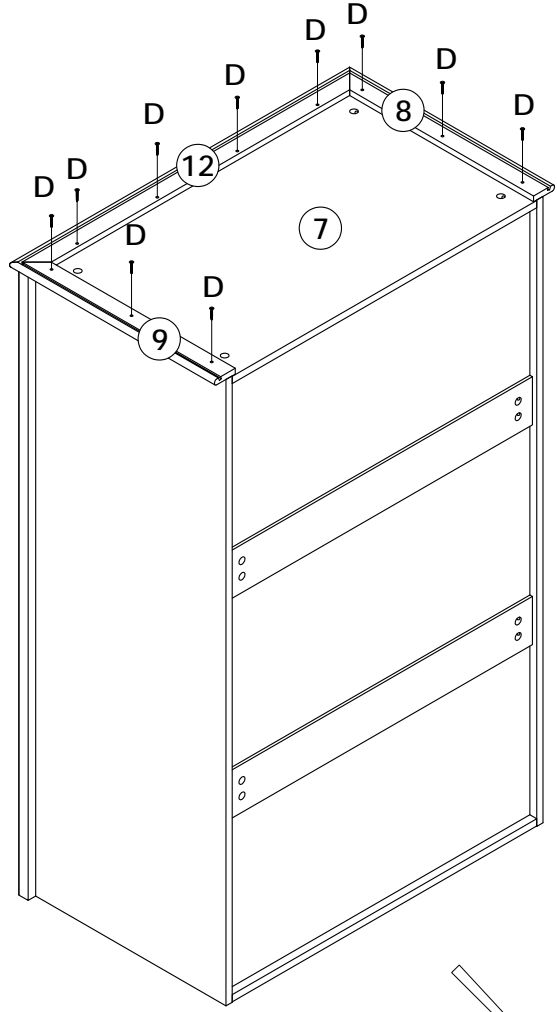
x 2



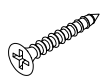
A2 x 16pcs	
C x 24pcs	
3.5 x 14mm	
R x 24pcs	

STEP 15

x 2



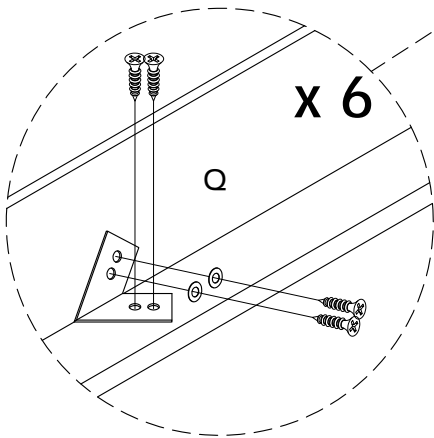
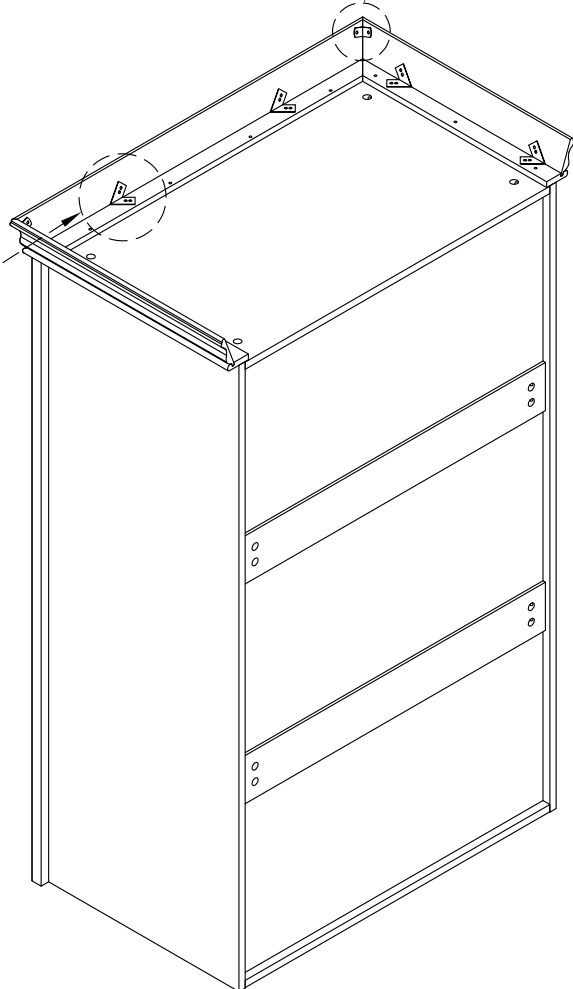
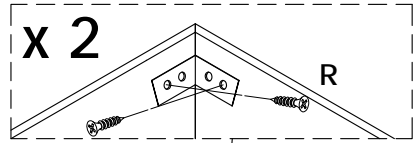
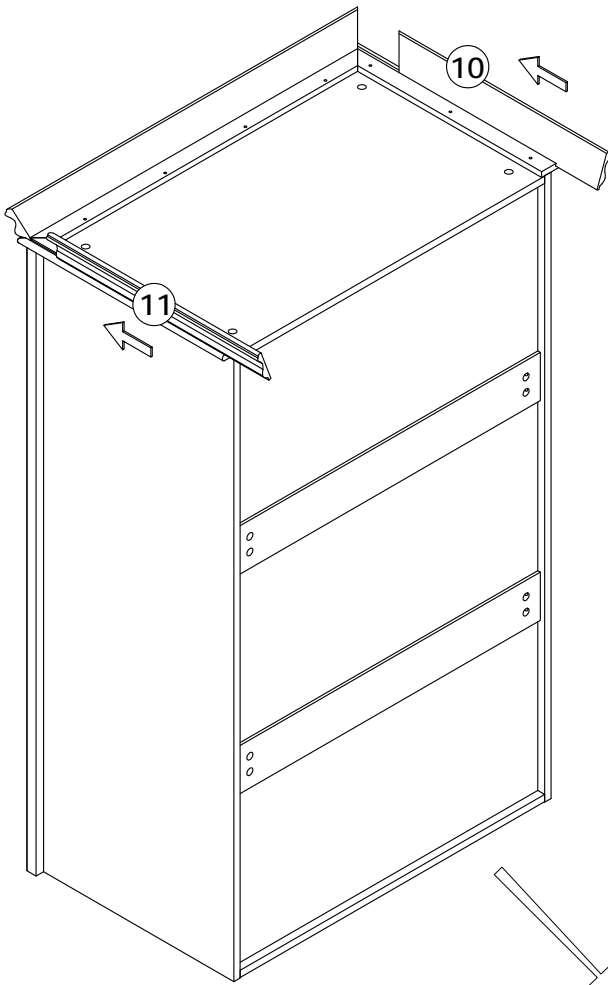
D x 20pcs



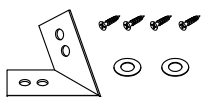
4 x 25mm

STEP 16

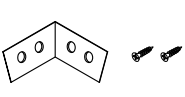
x 2



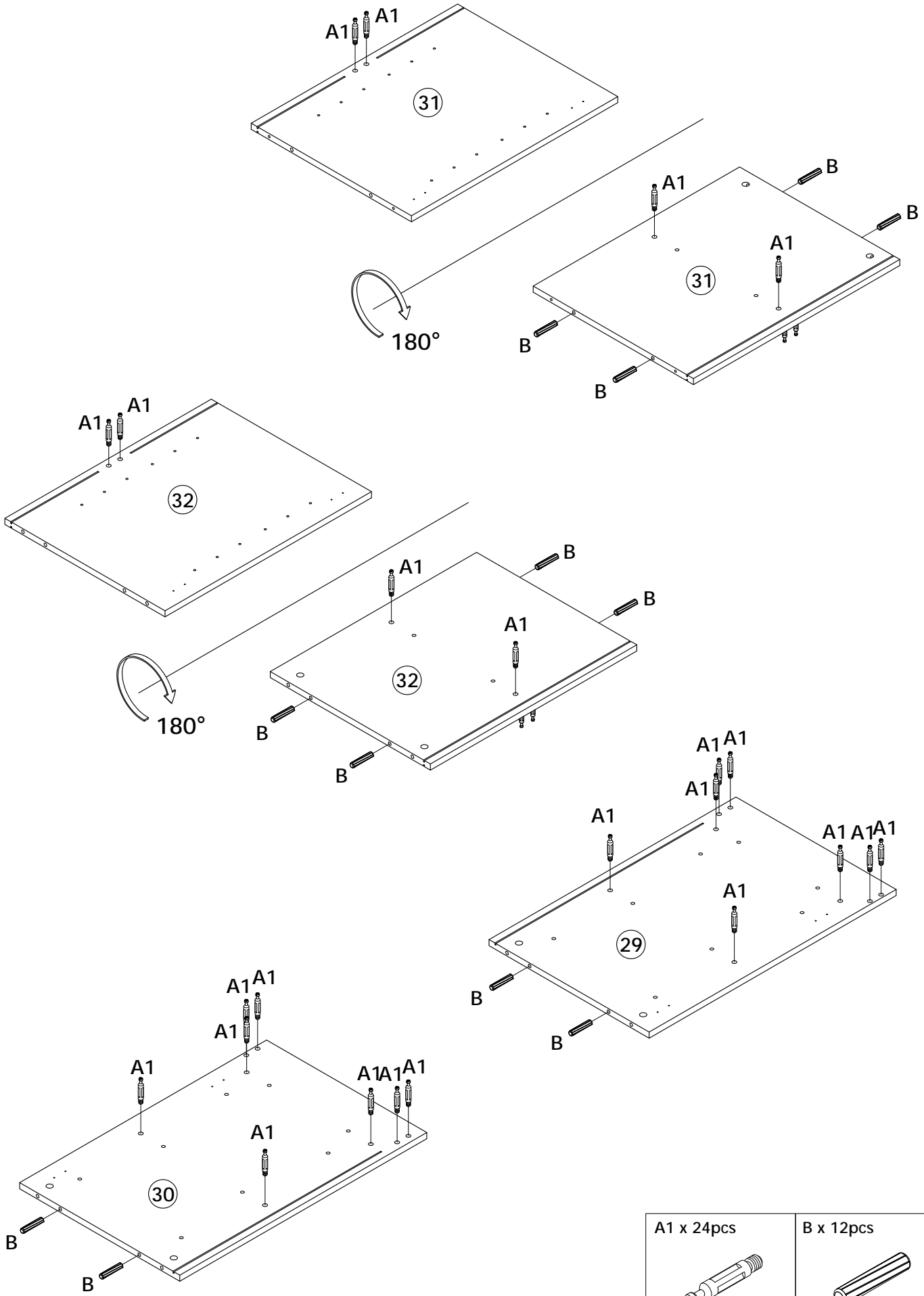
P x 12sets



Q x 4sets

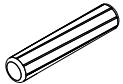
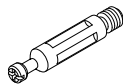


STEP 17



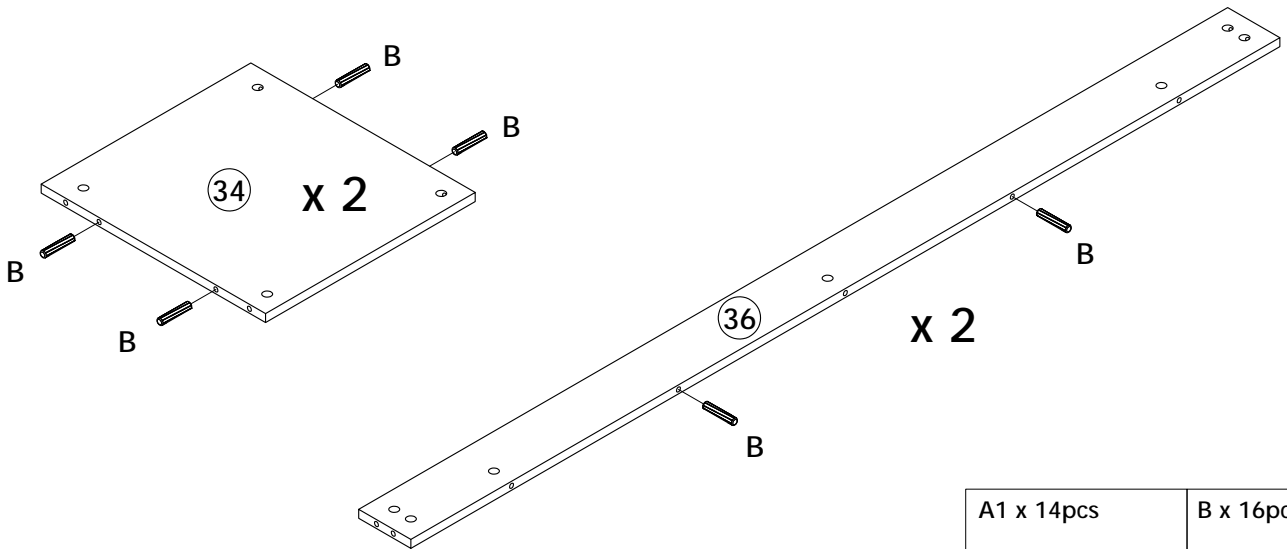
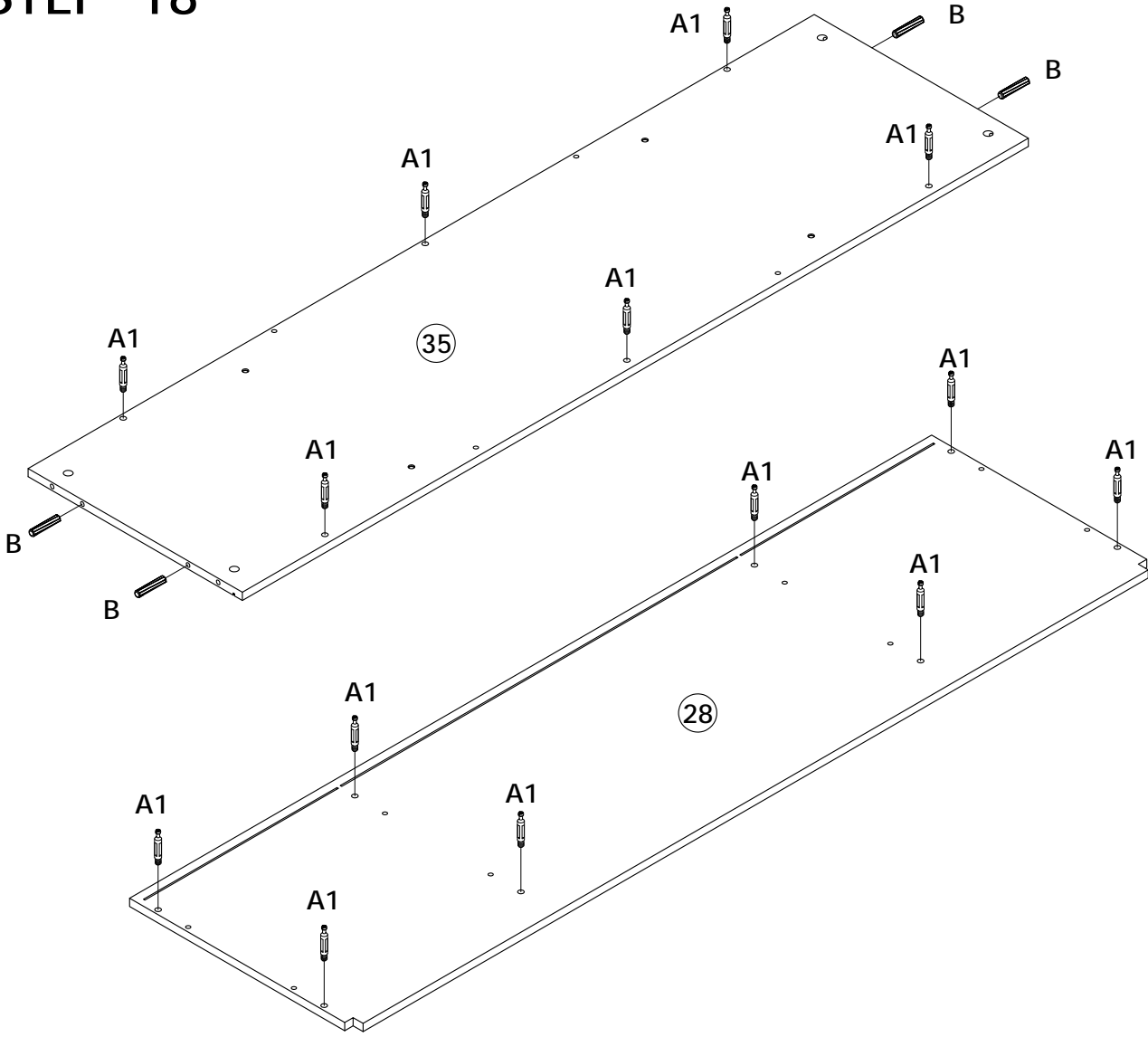
A1 x 24pcs

B x 12pcs

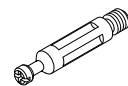


8 x 40mm

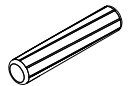
STEP 18



A1 x 14pcs

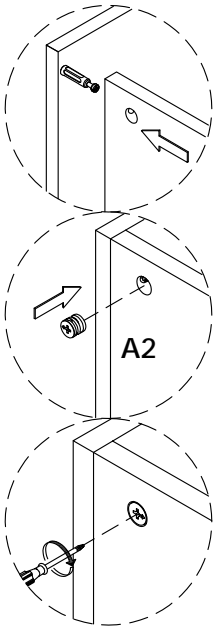
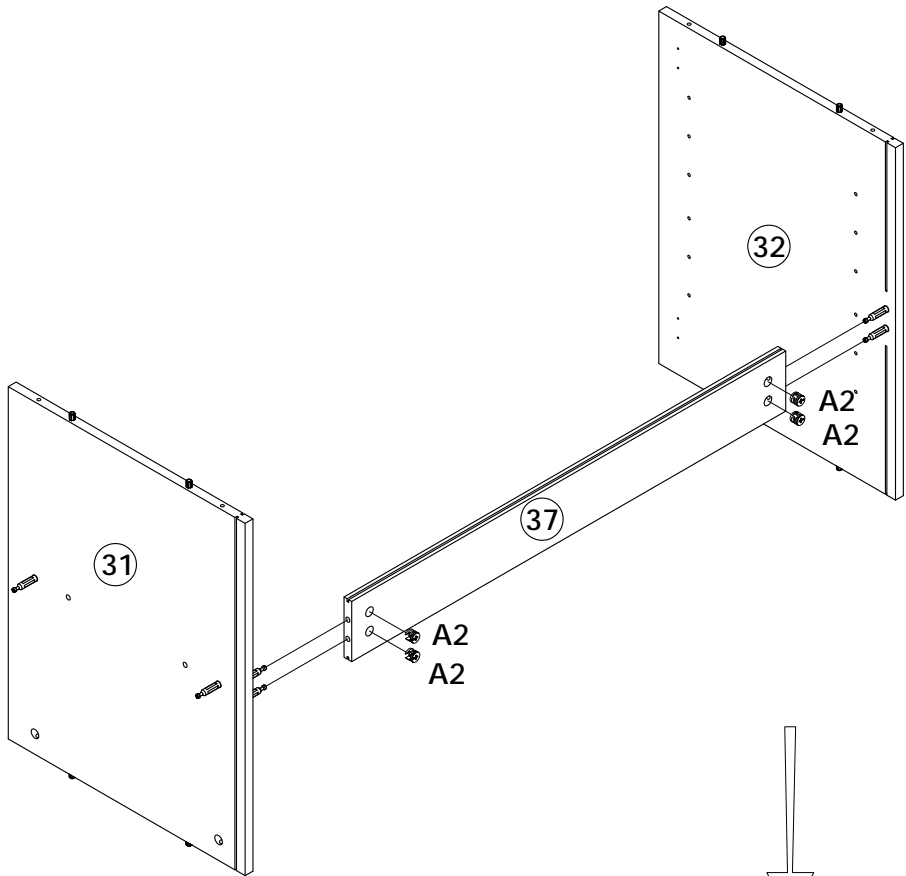


B x 16pcs

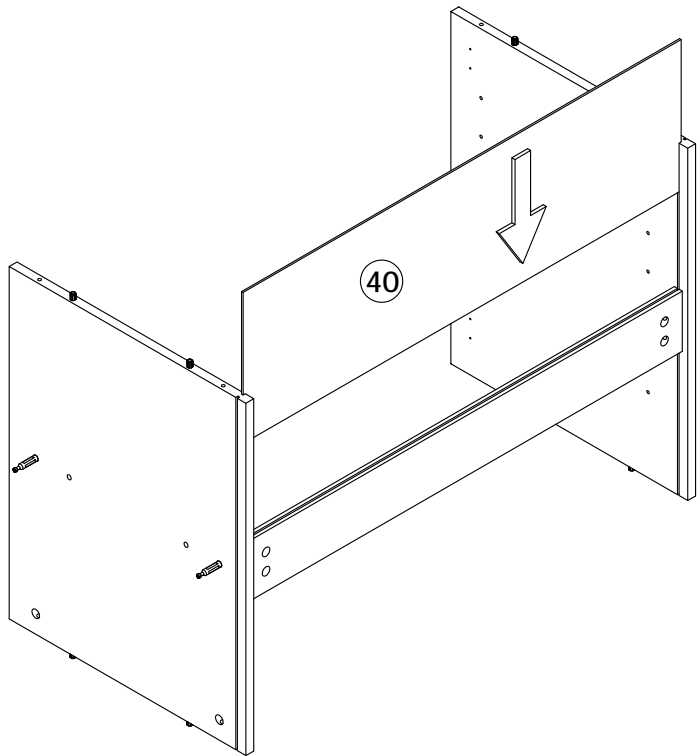


8 x 40mm

STEP 19



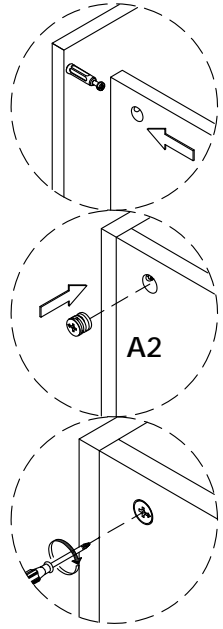
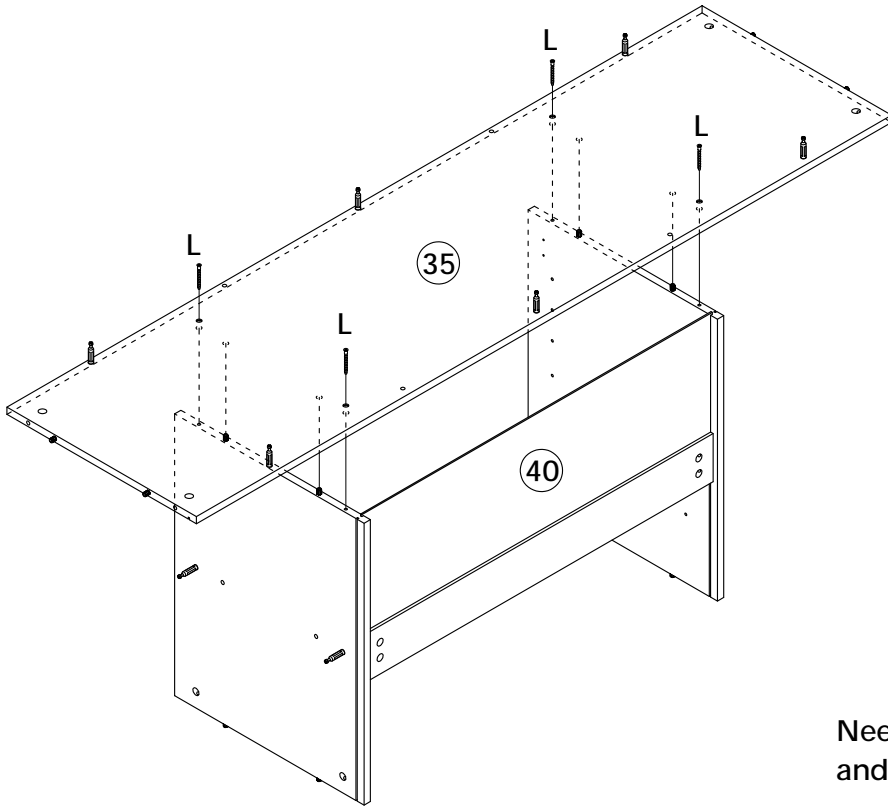
Need to rotate and tighten A2



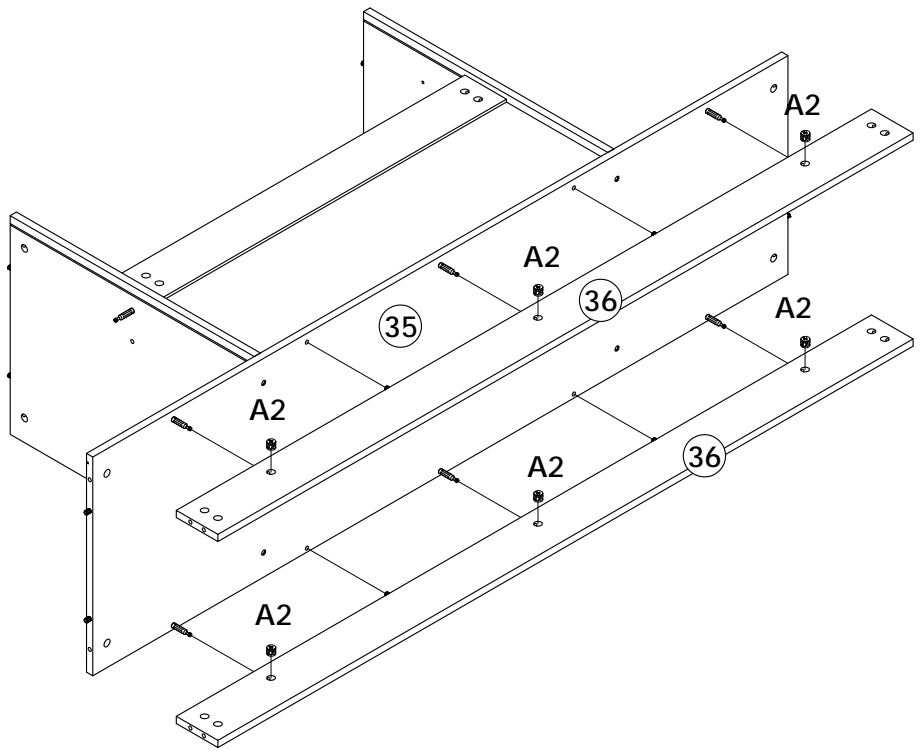
A2 x 4pcs



STEP 20



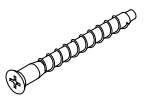
Need to rotate and tighten A2



A2 x 6pcs

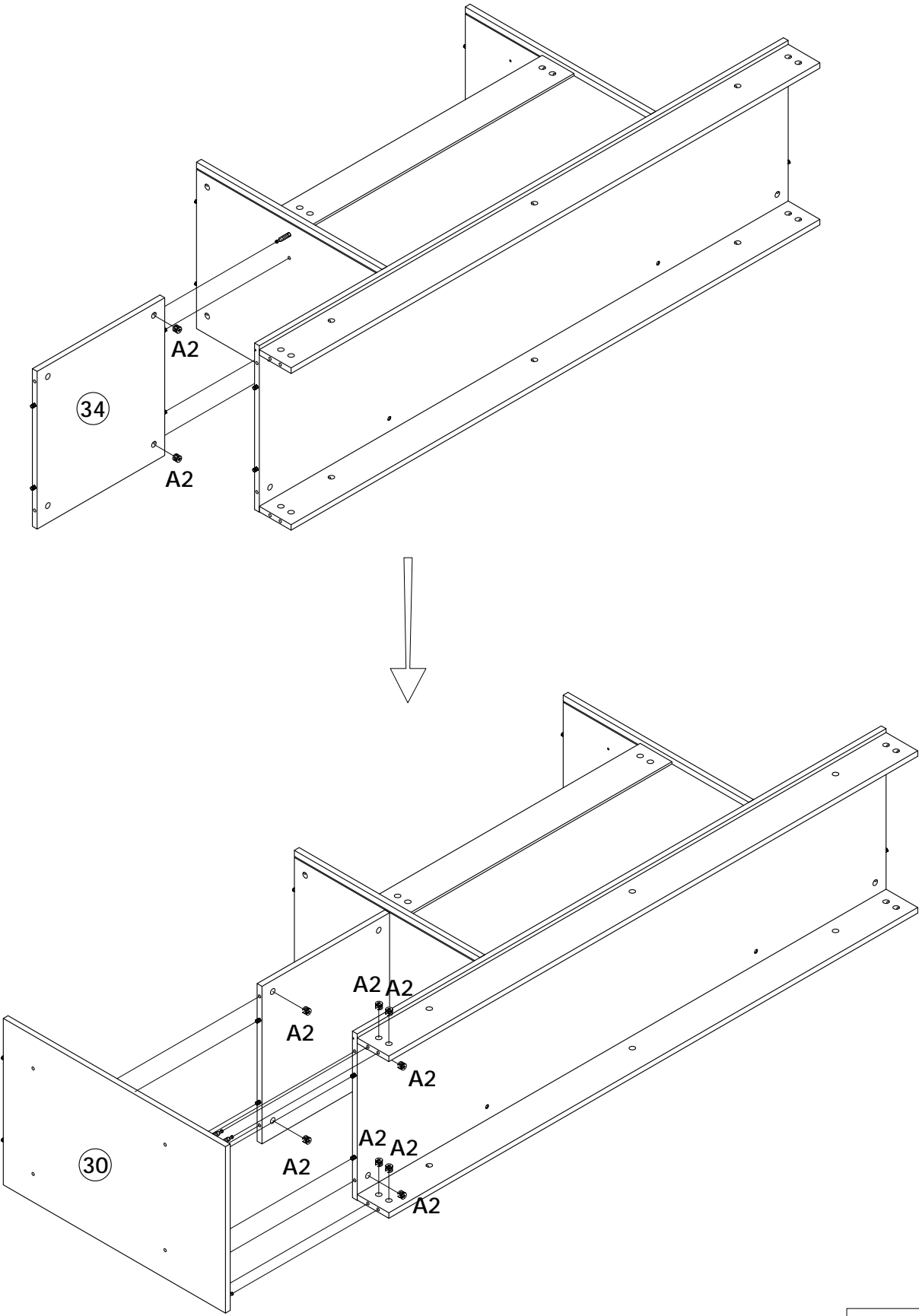


L x 4pcs




7 x 50mm

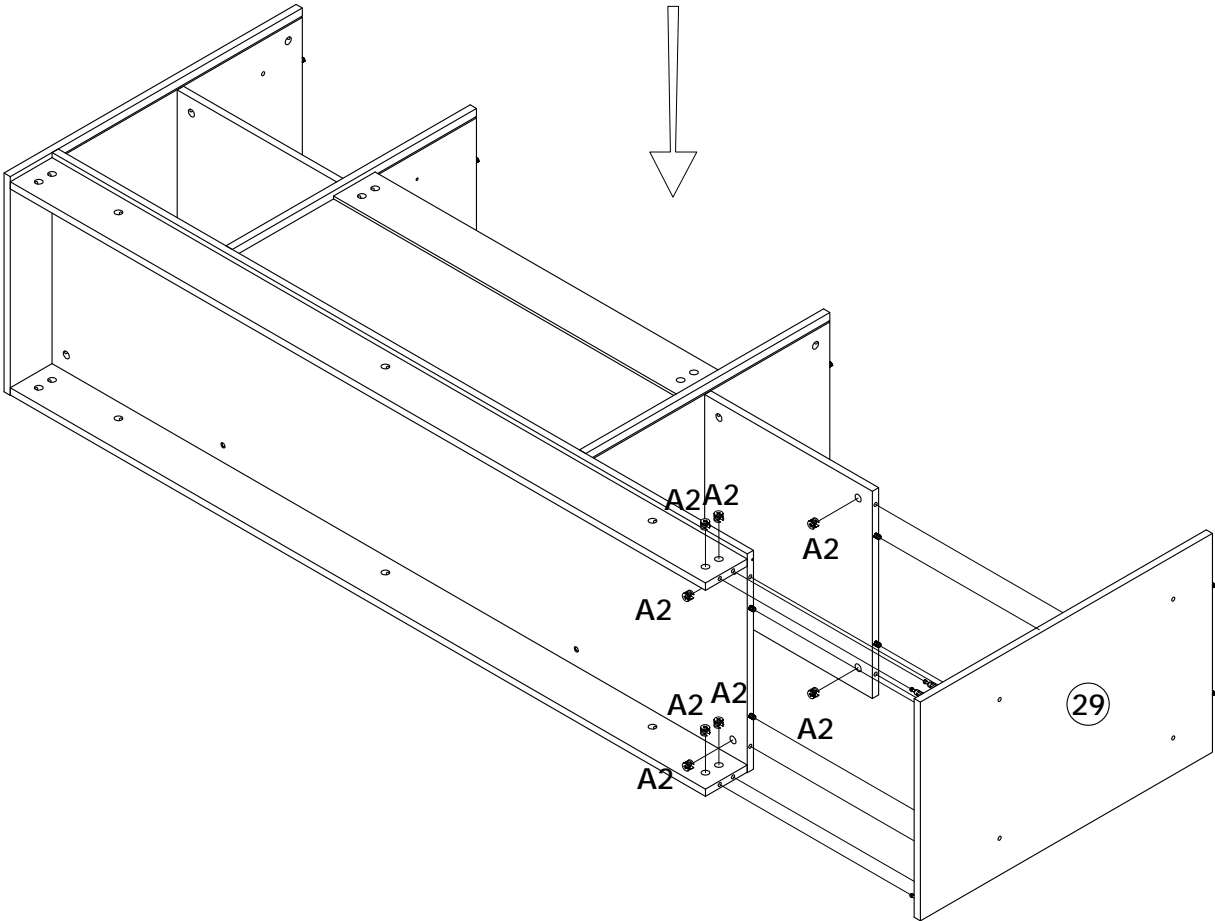
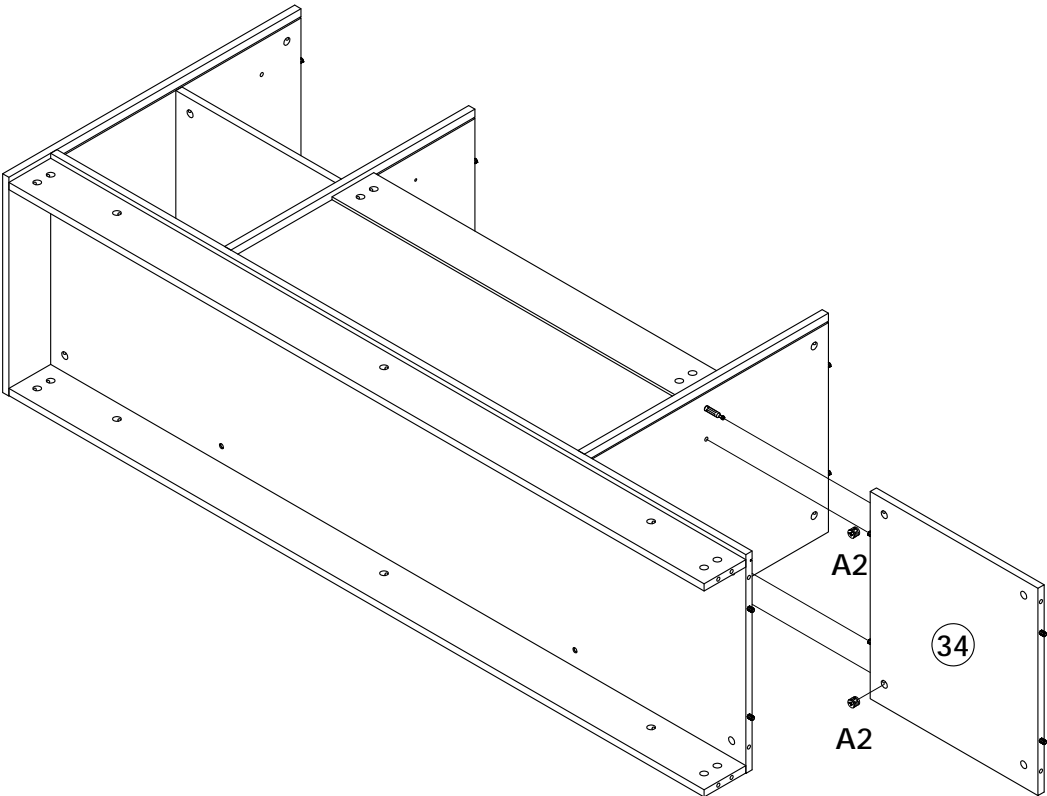
STEP 21



A2 x 10pcs



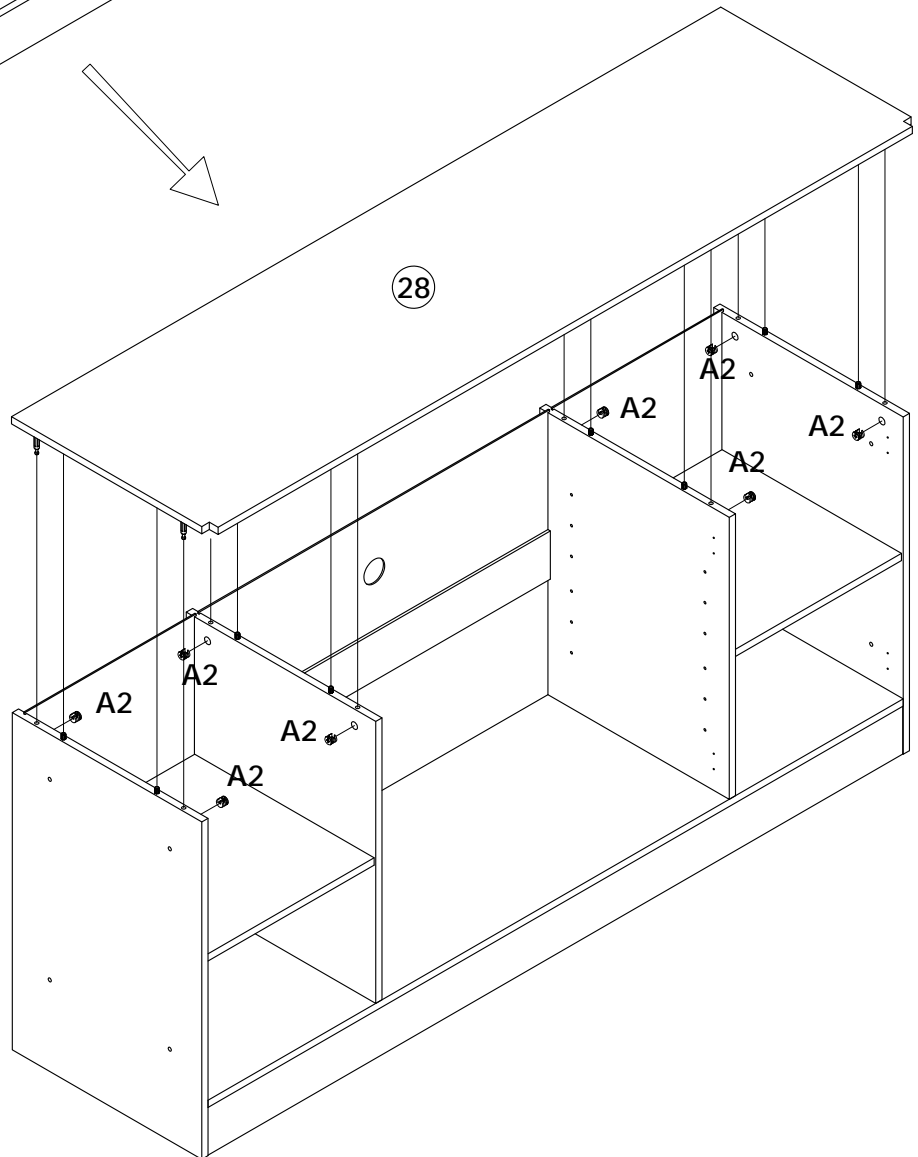
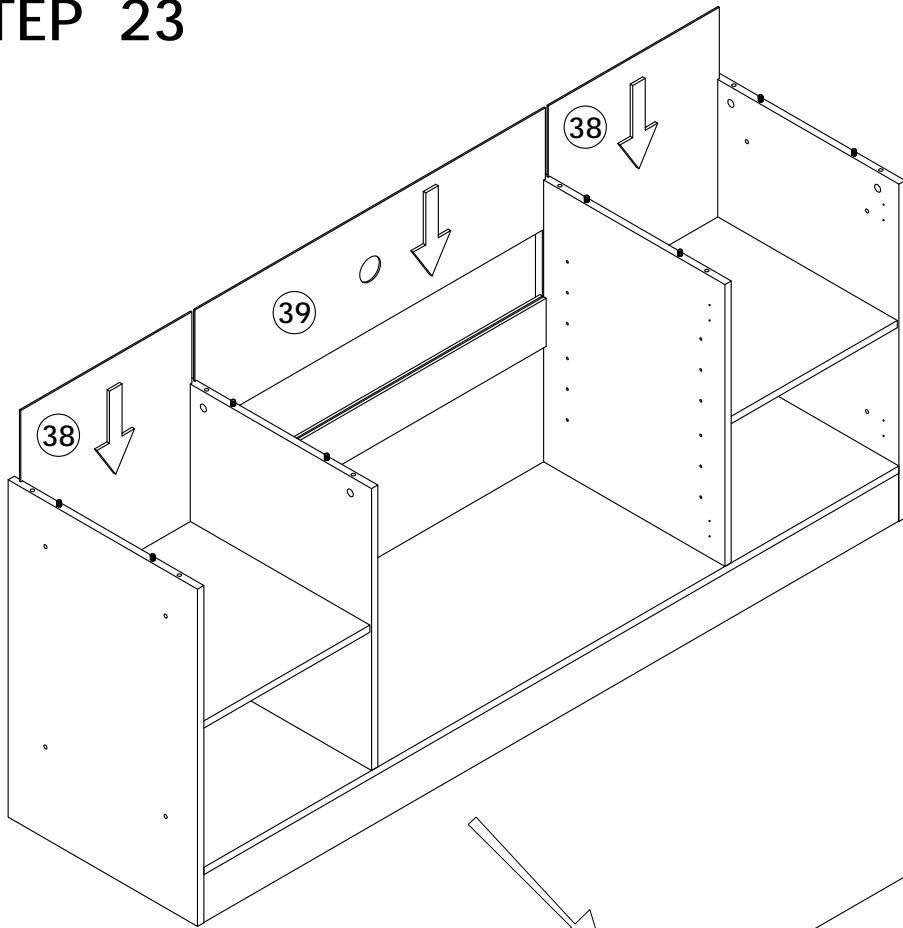
STEP 22



A2 x 10pcs



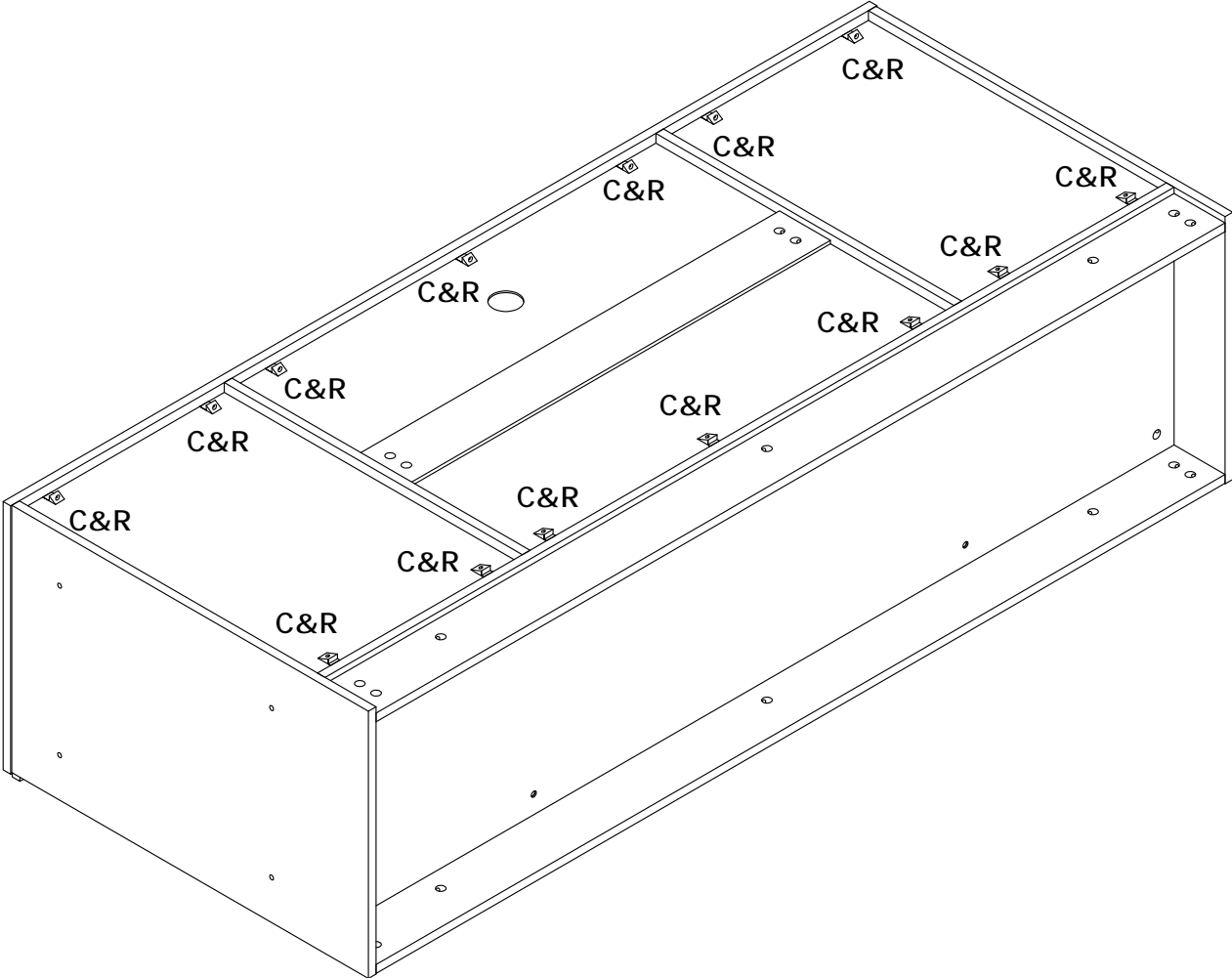
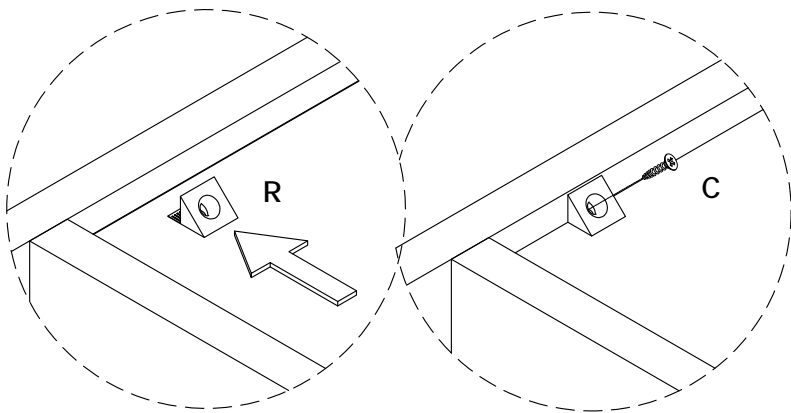
STEP 23


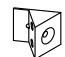


A2 x 8pcs

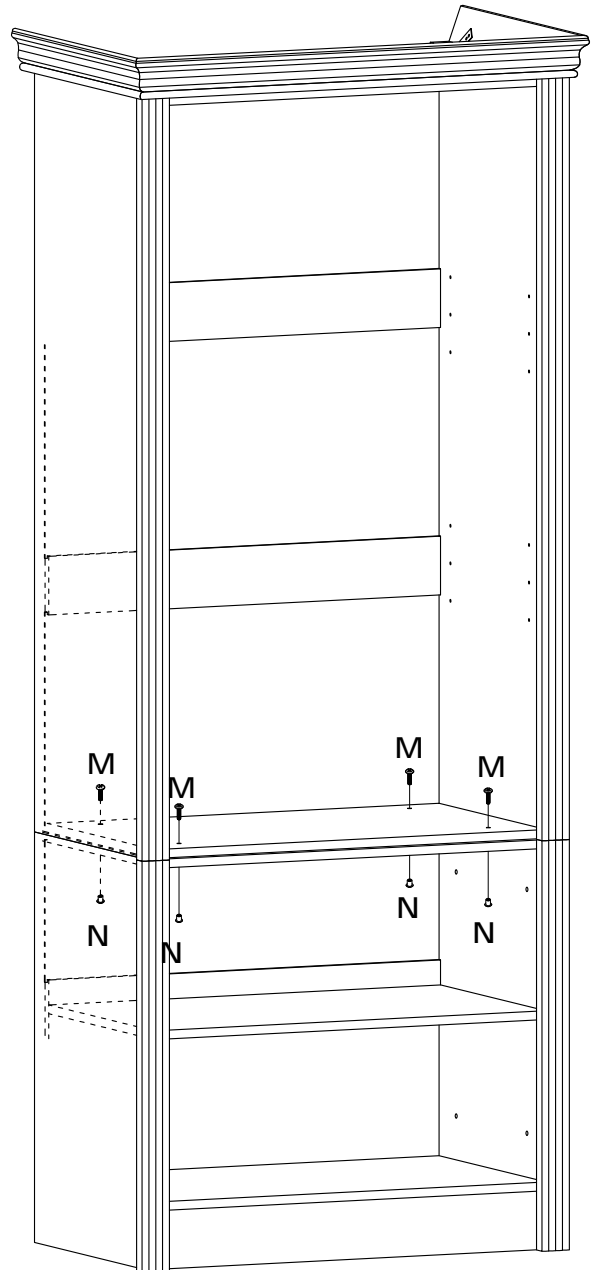
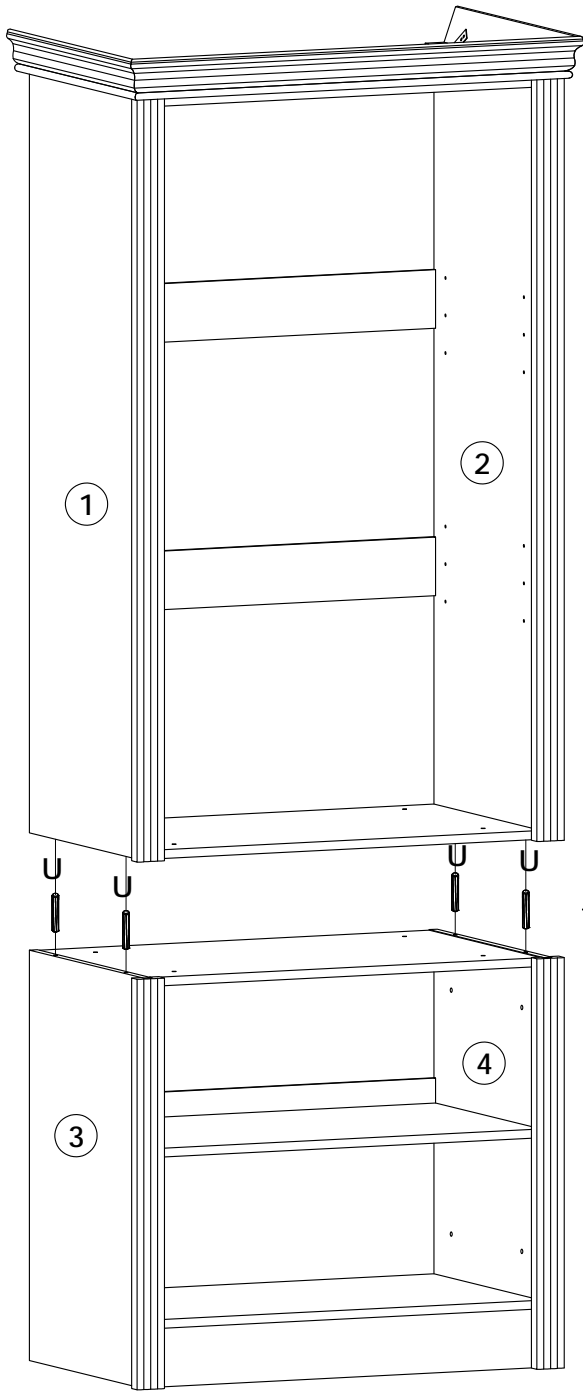


STEP 24



C x 14pcs	R x 14pcs
 3.5 x 14mm	

STEP 25



M x 4pcs



M6 x 25mm

N x 4pcs



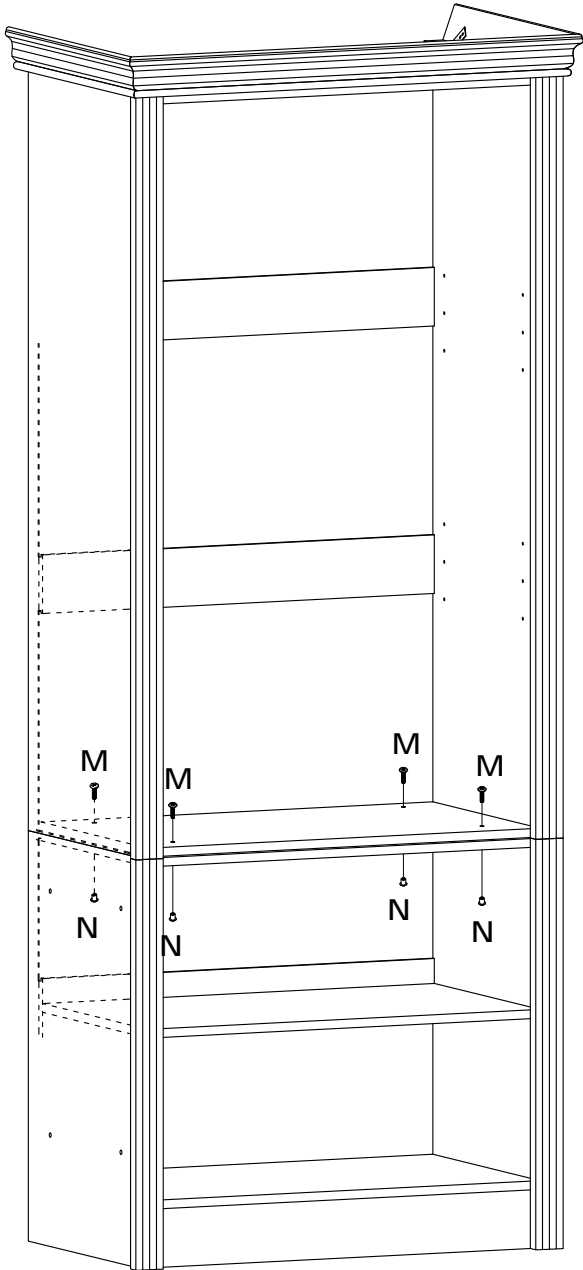
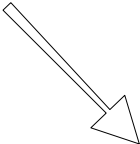
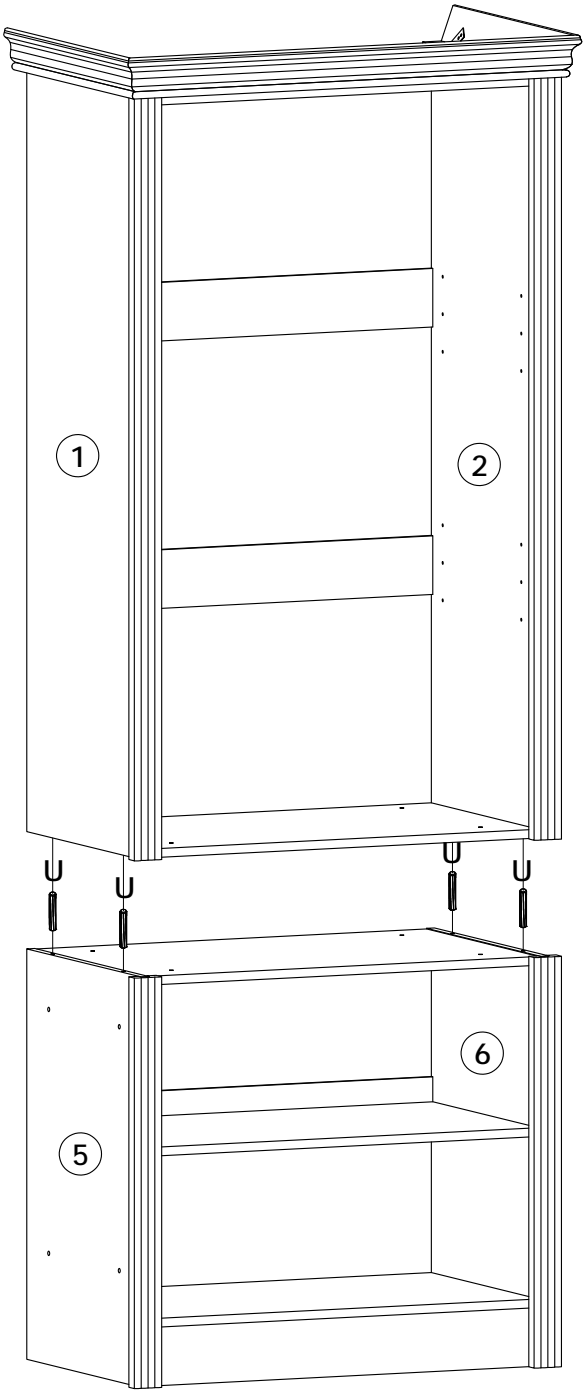
M6 x 15mm

U x 4pcs



8 x 60mm

STEP 26



M x 4pcs



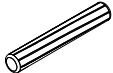
M6 x 25mm

N x 4pcs



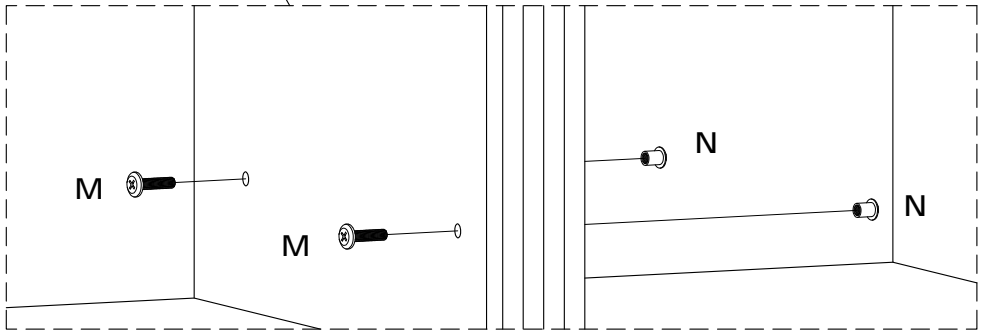
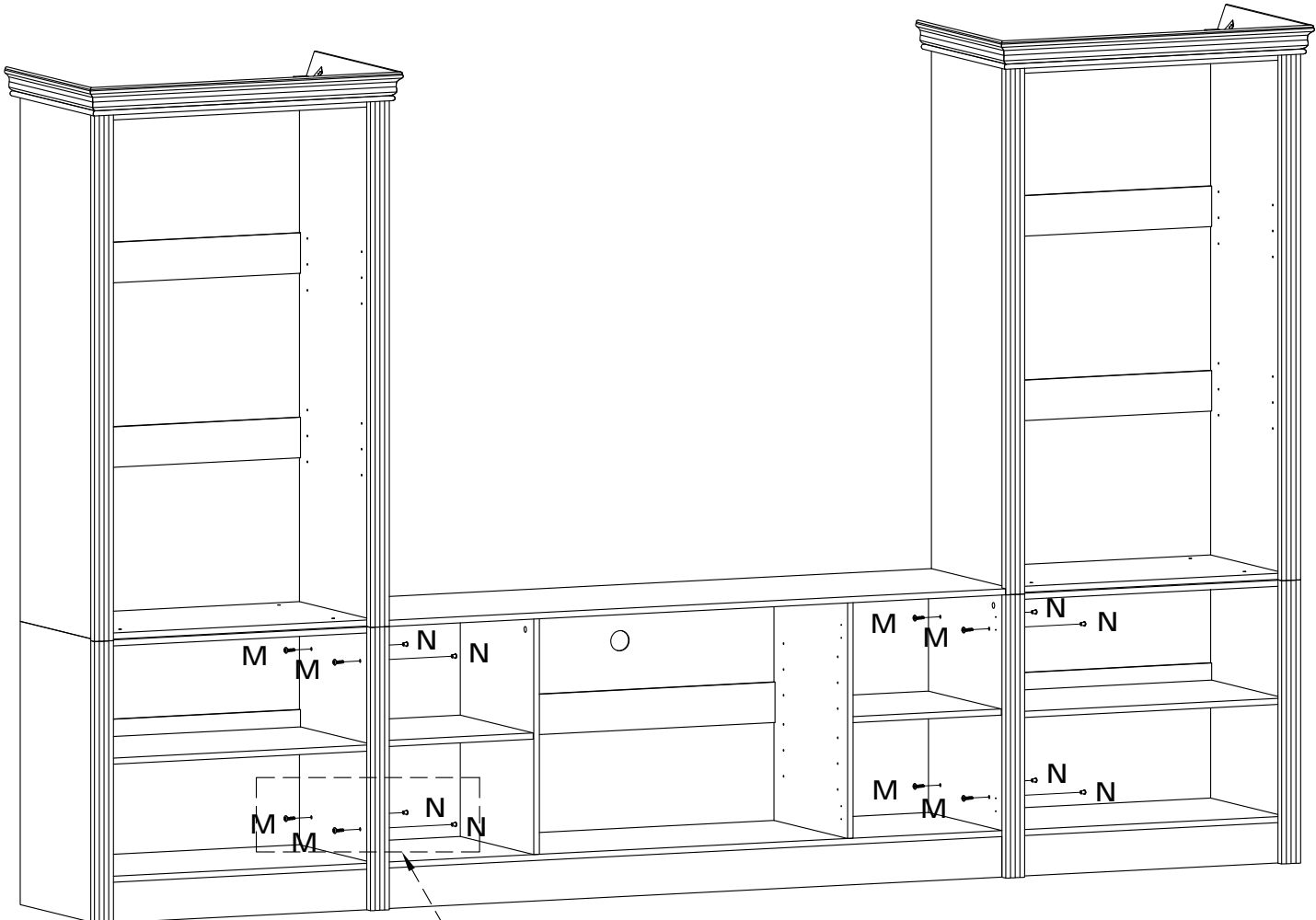
M6 x 15mm

U x 4pcs



8 x 60mm

STEP 27



M x 8pcs



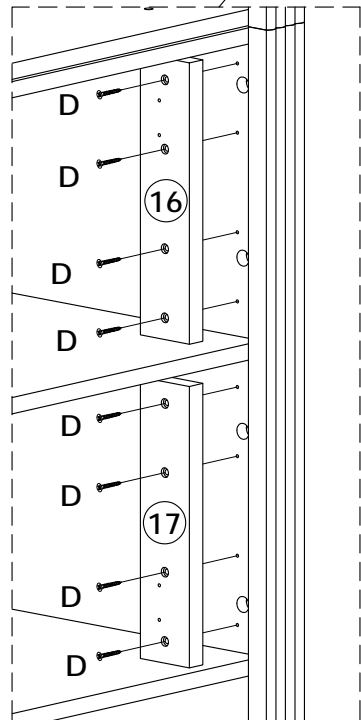
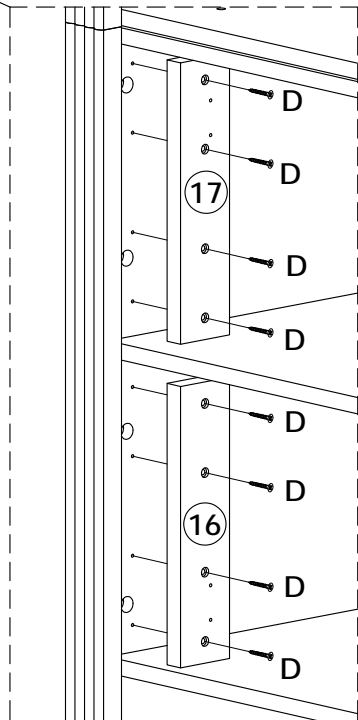
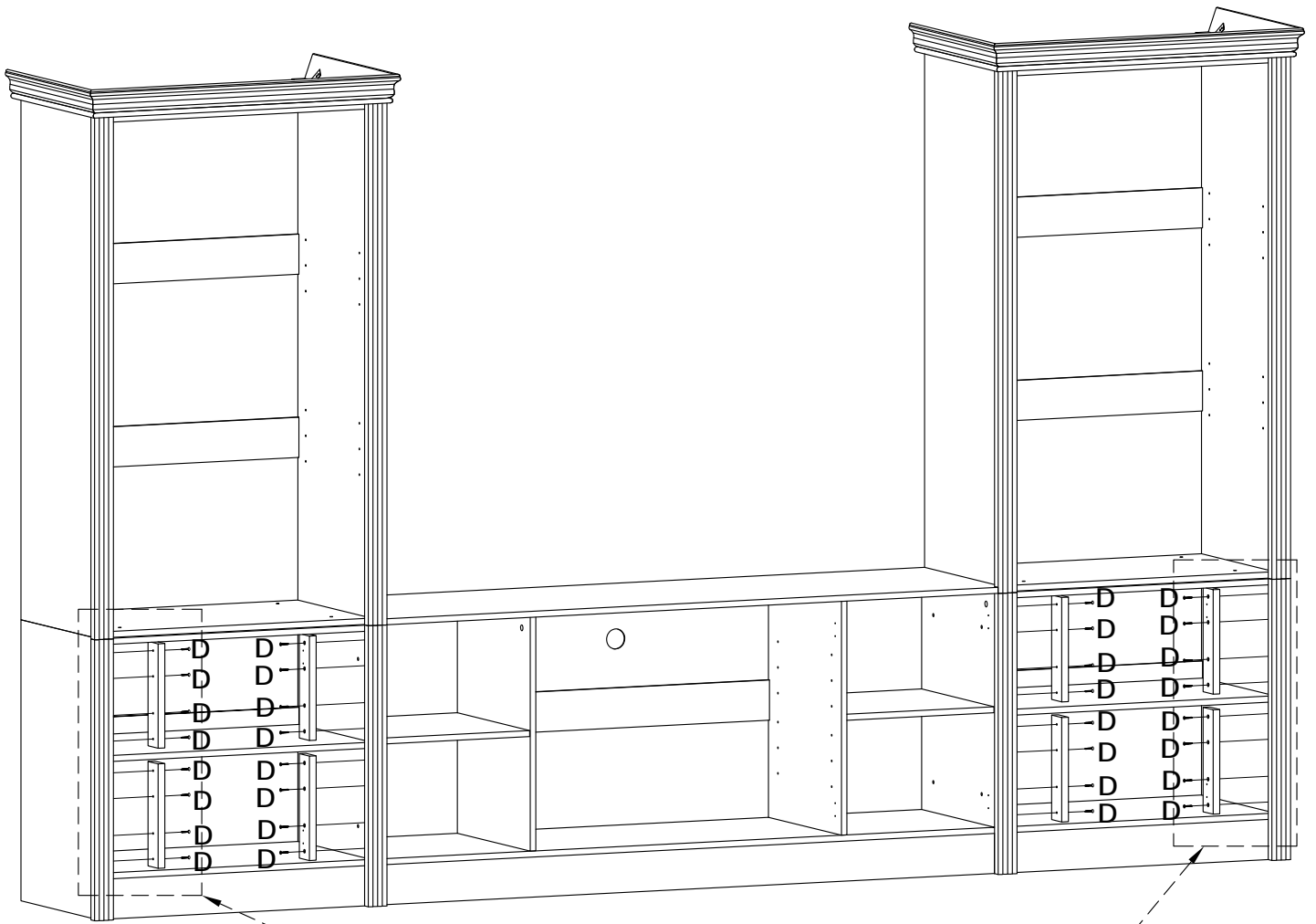
M6 x 25mm

N x 8pcs

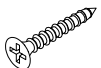


M6 x 15mm

STEP 28

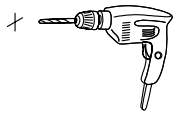
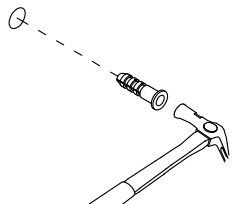
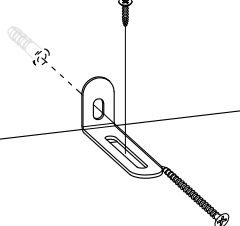


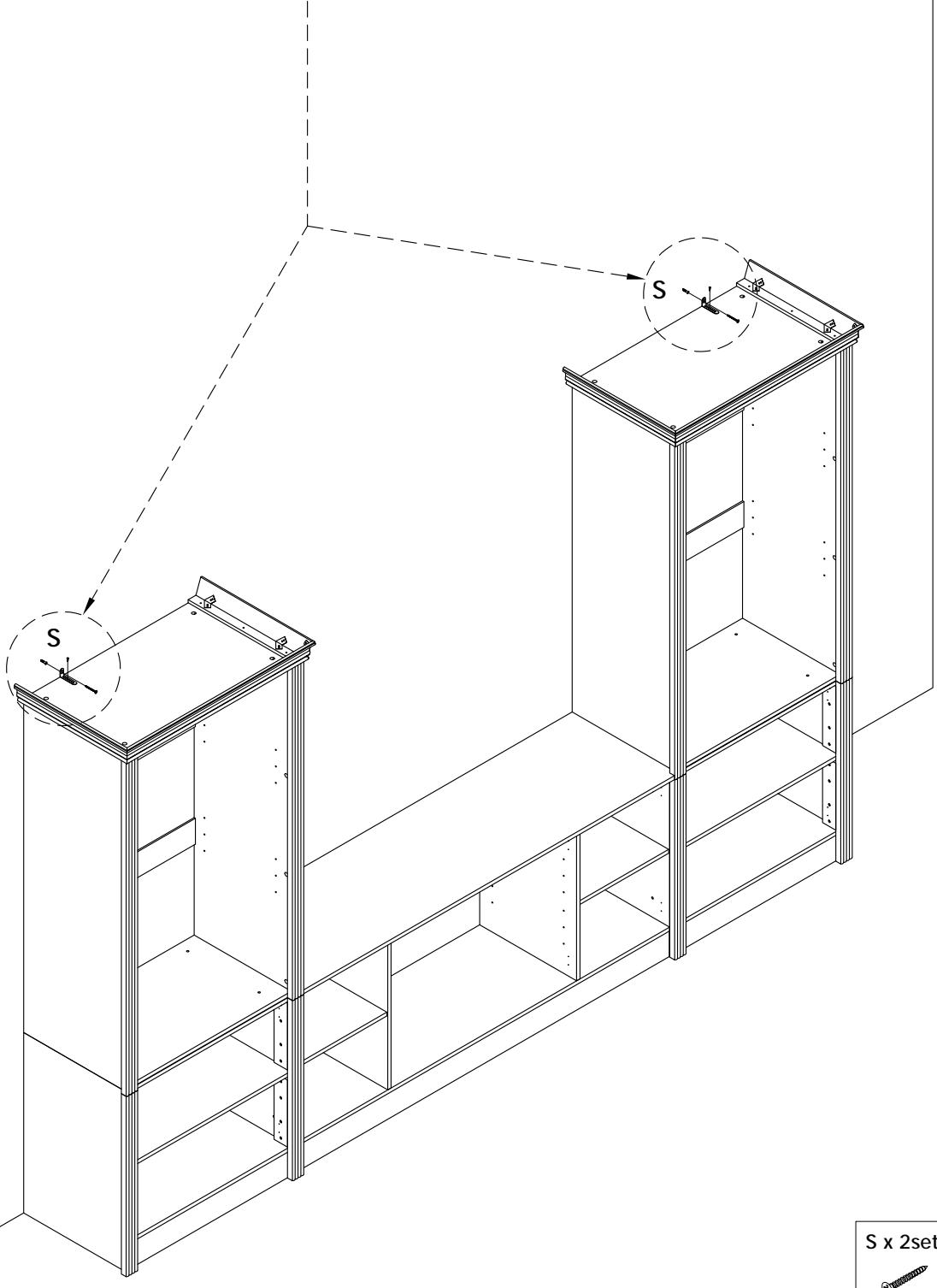
D x 32pcs



4 x 25mm

STEP 29

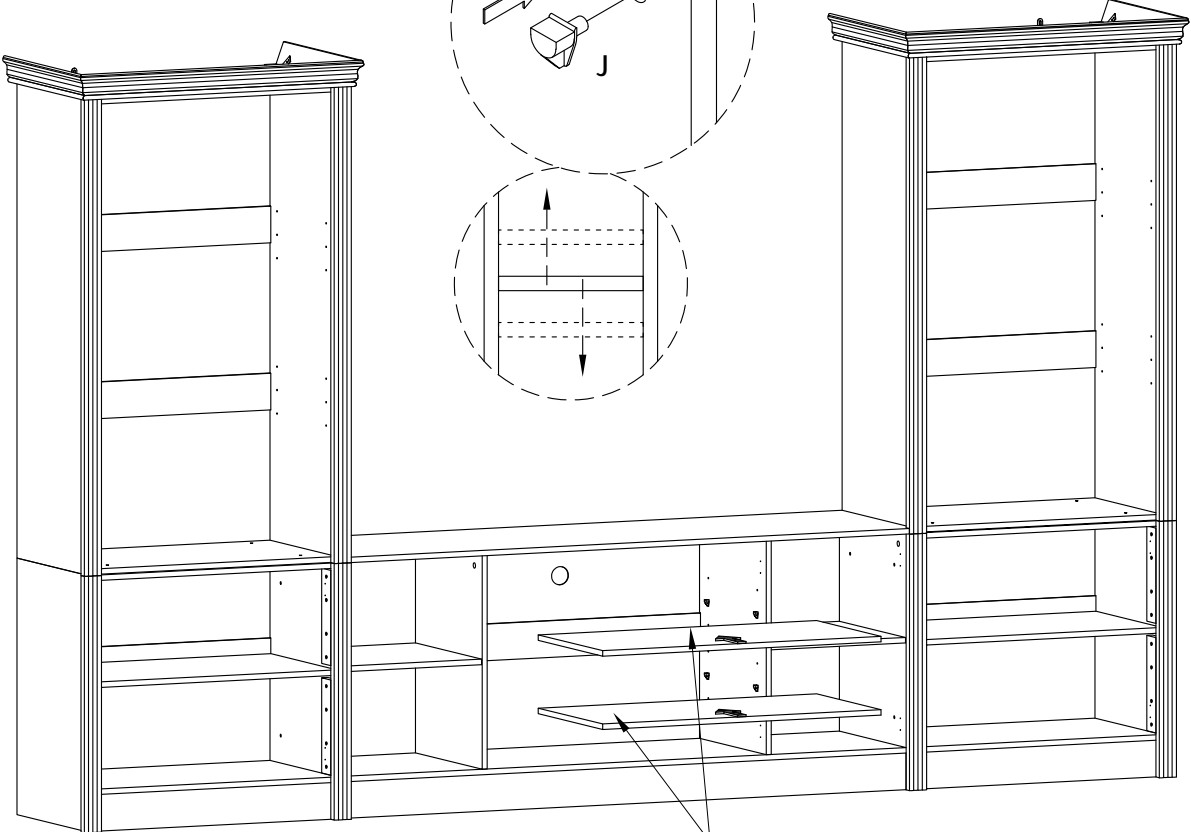
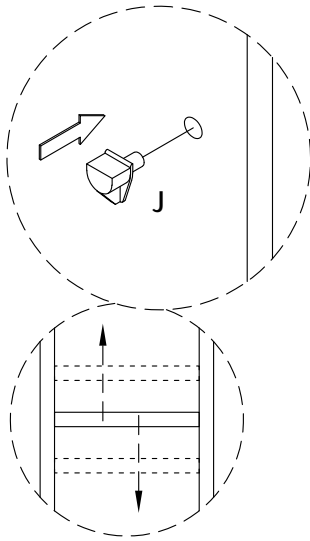
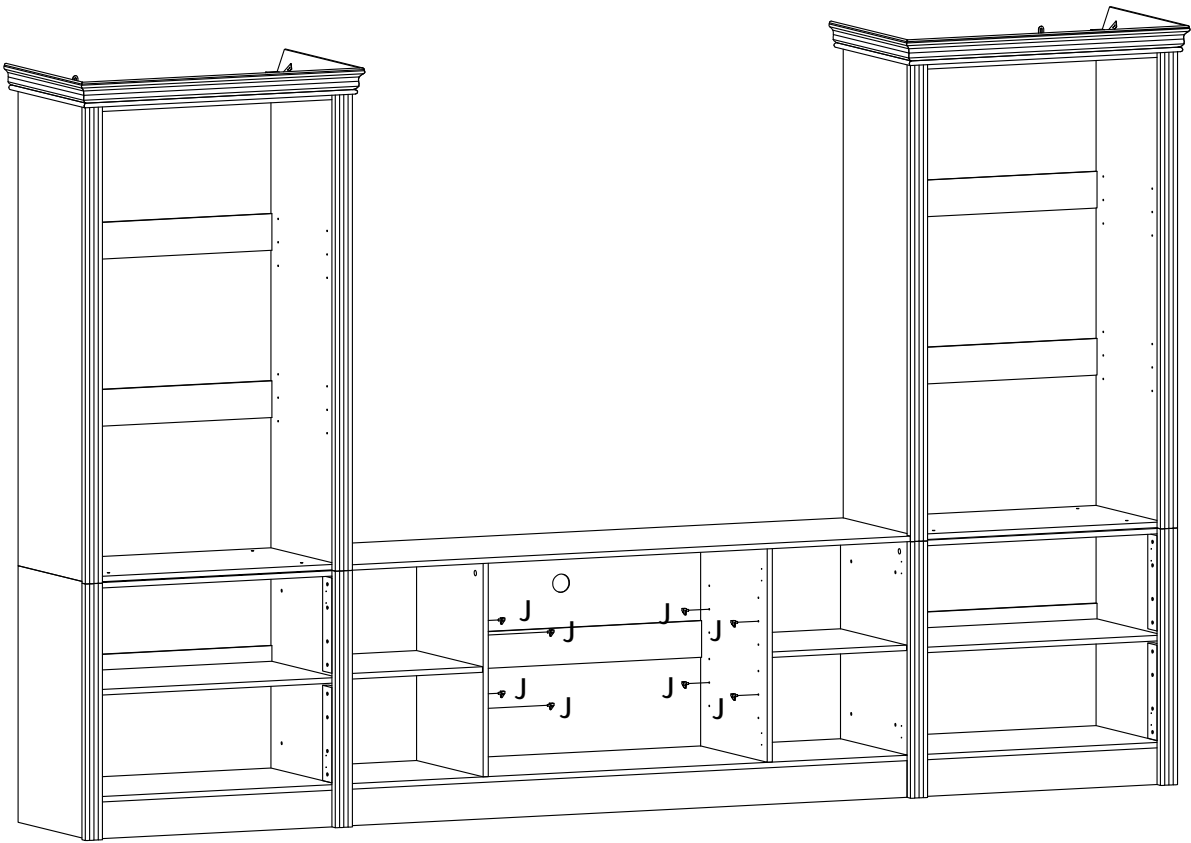
- 1. 
- 2. 
- 3. 



S x 2sets



STEP 30

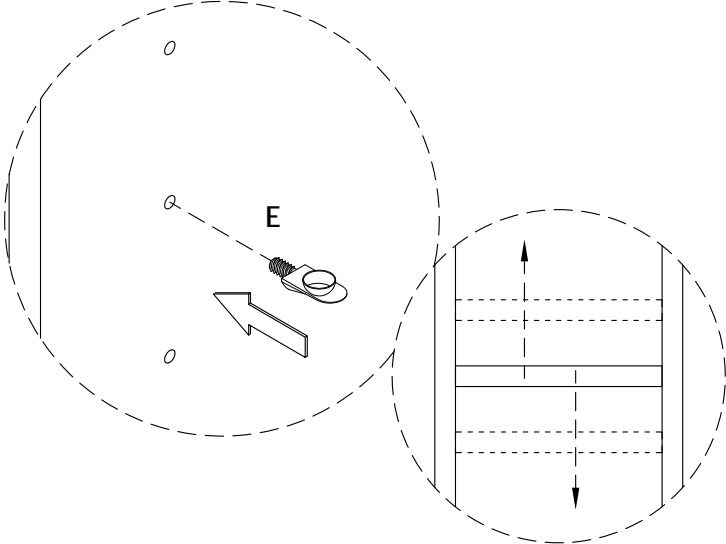
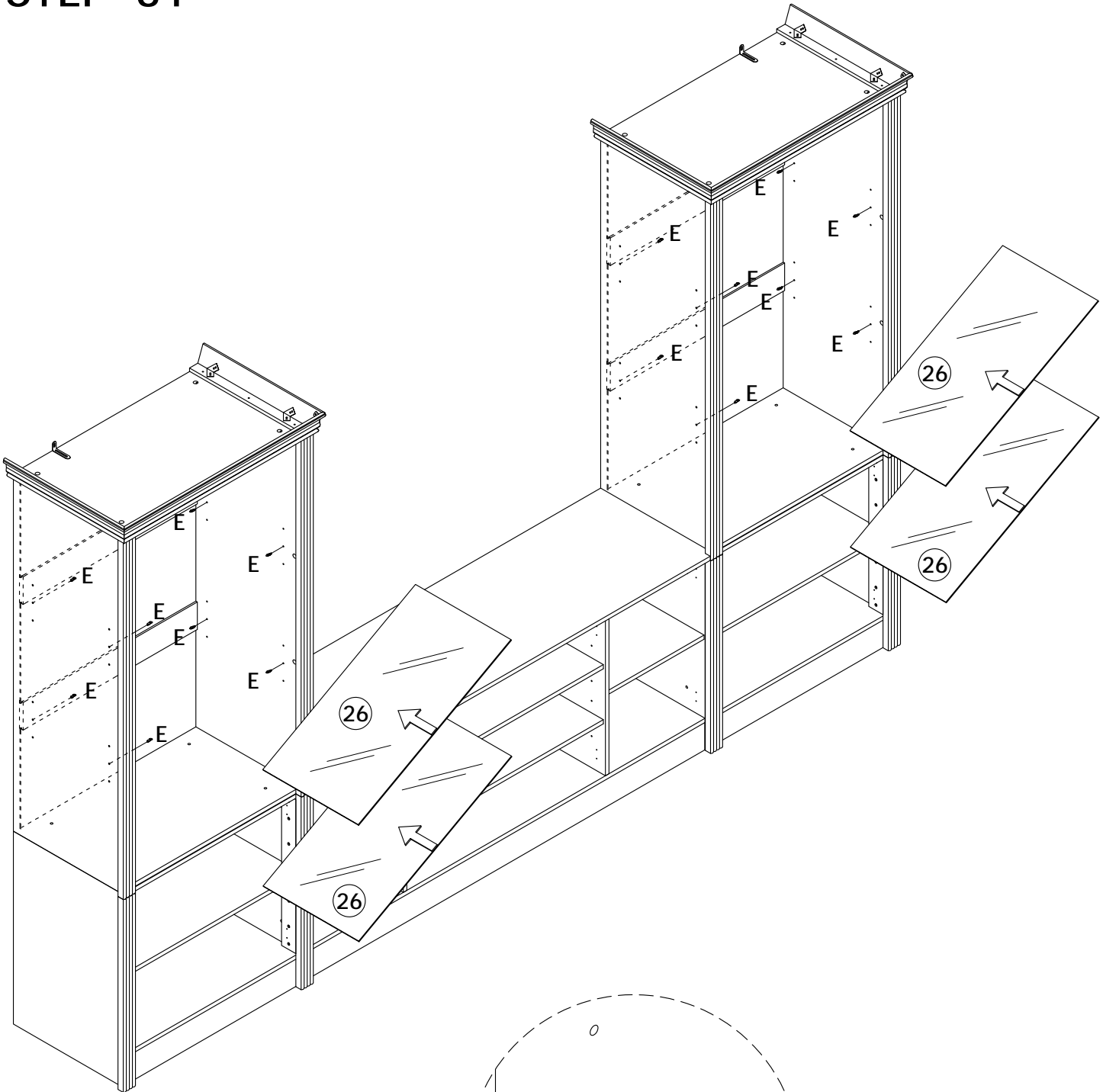


J x 8pcs



33

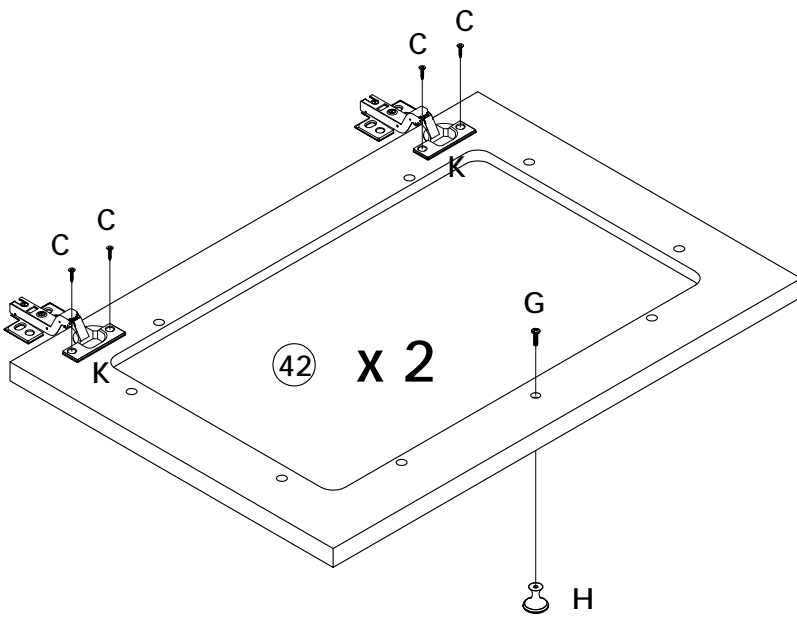
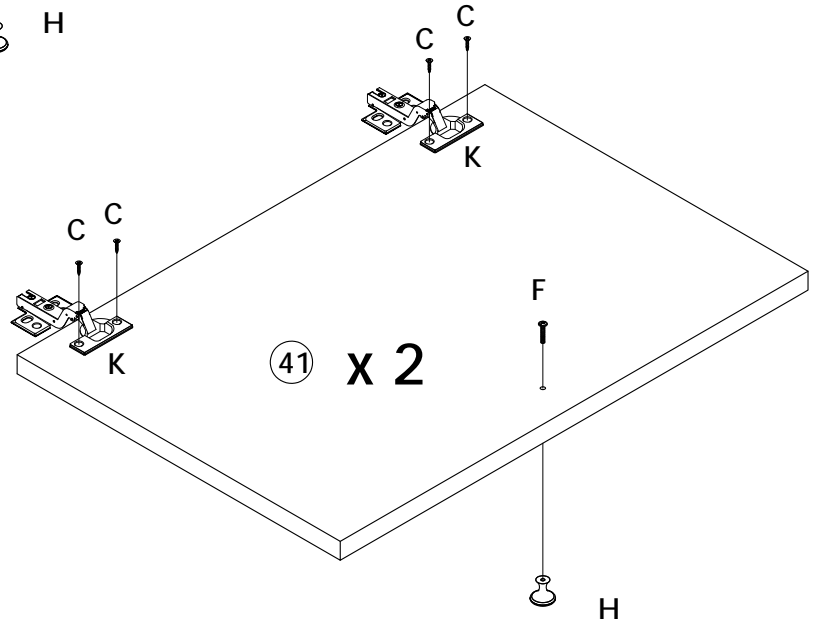
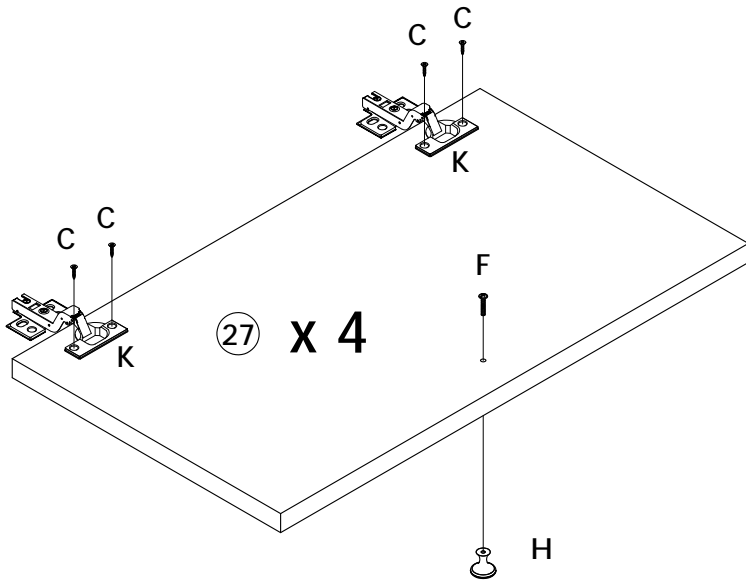
STEP 31


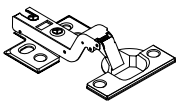





E x 16pcs

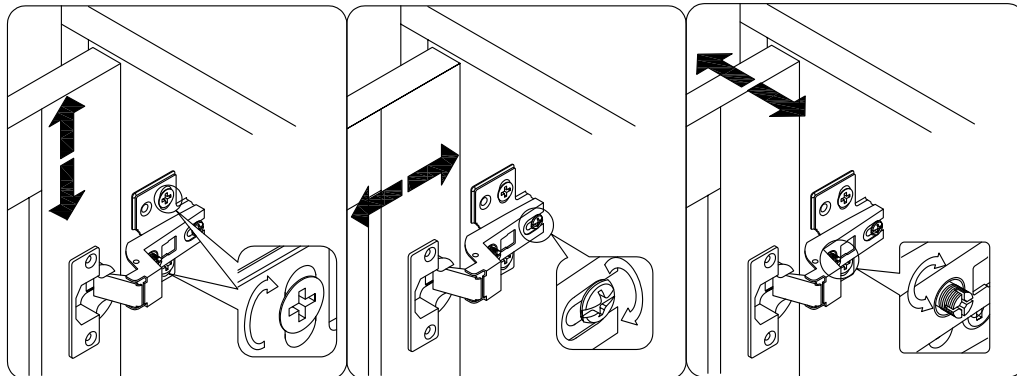
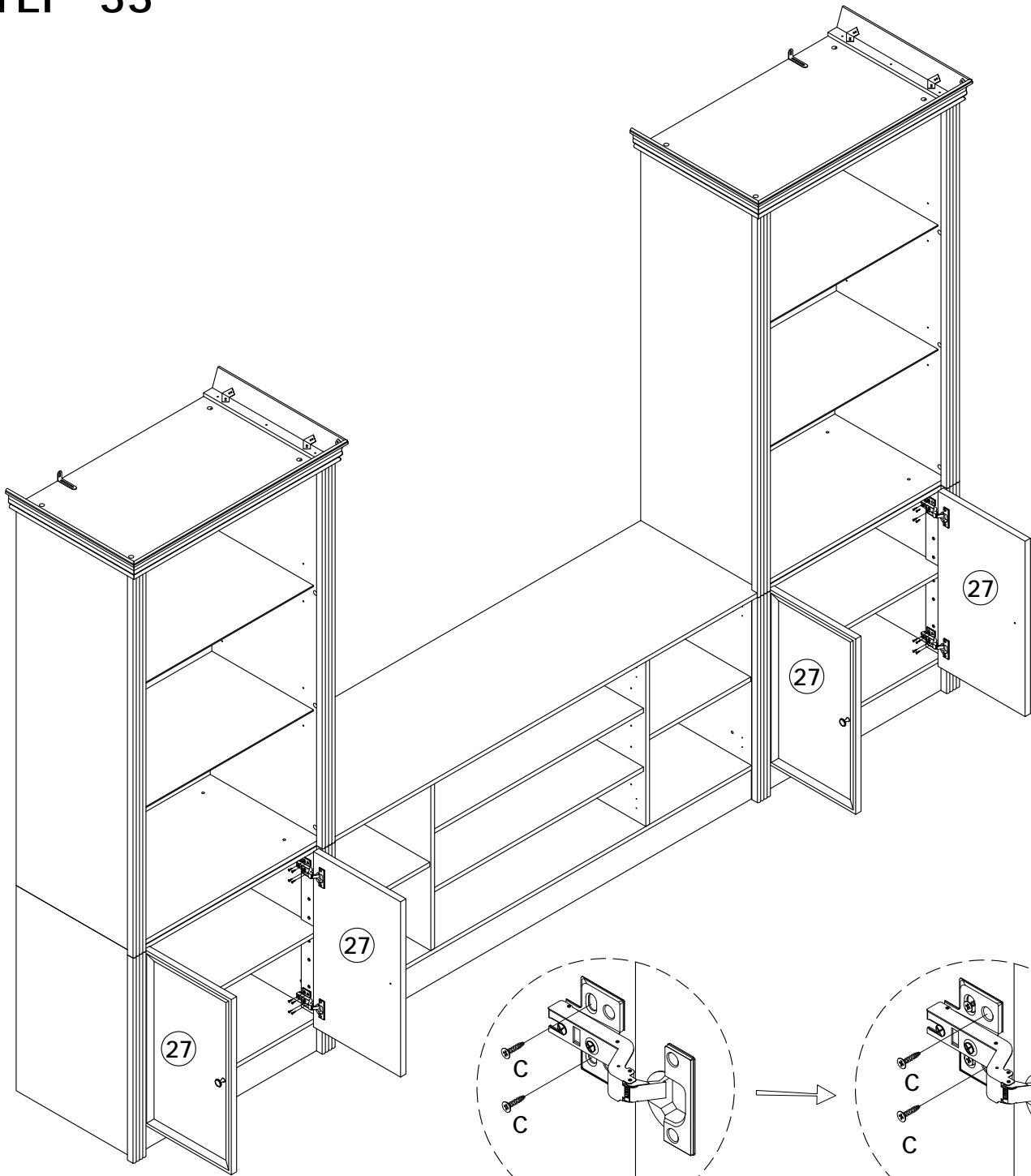


STEP 32



	<p>C x 32pcs</p>  <p>3.5 x 14mm</p>	<p>K x 16pcs</p> 
<p>F x 6pcs</p>  <p>4 x 16mm</p>	<p>G x 2pcs</p>  <p>4 x 12mm</p>	<p>H x 8pcs</p> 

STEP 33



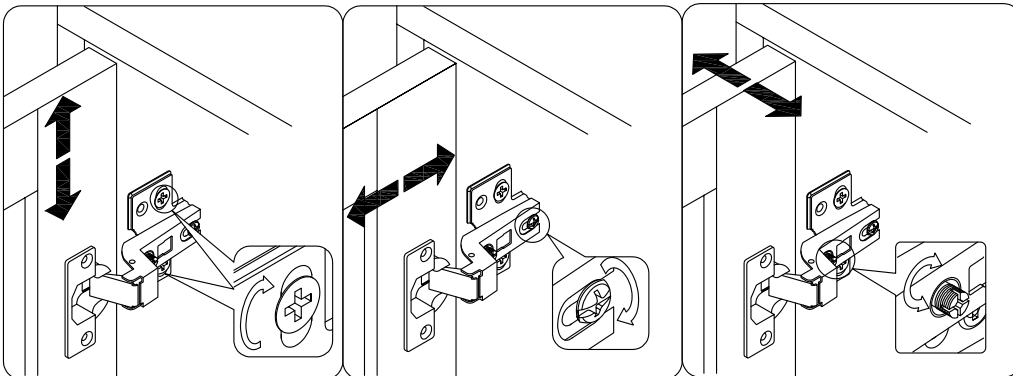
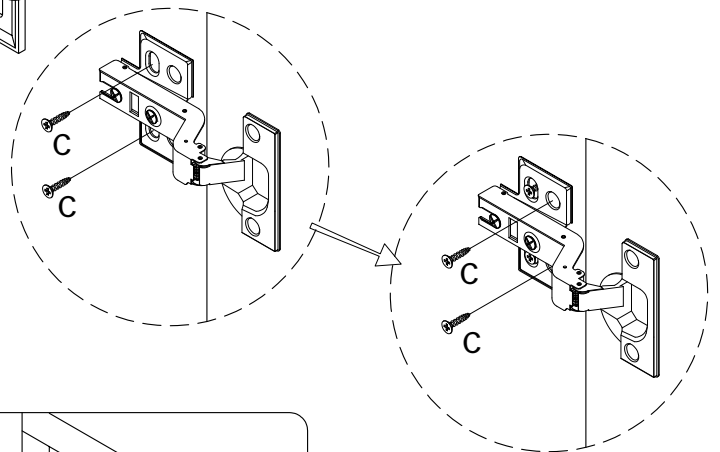
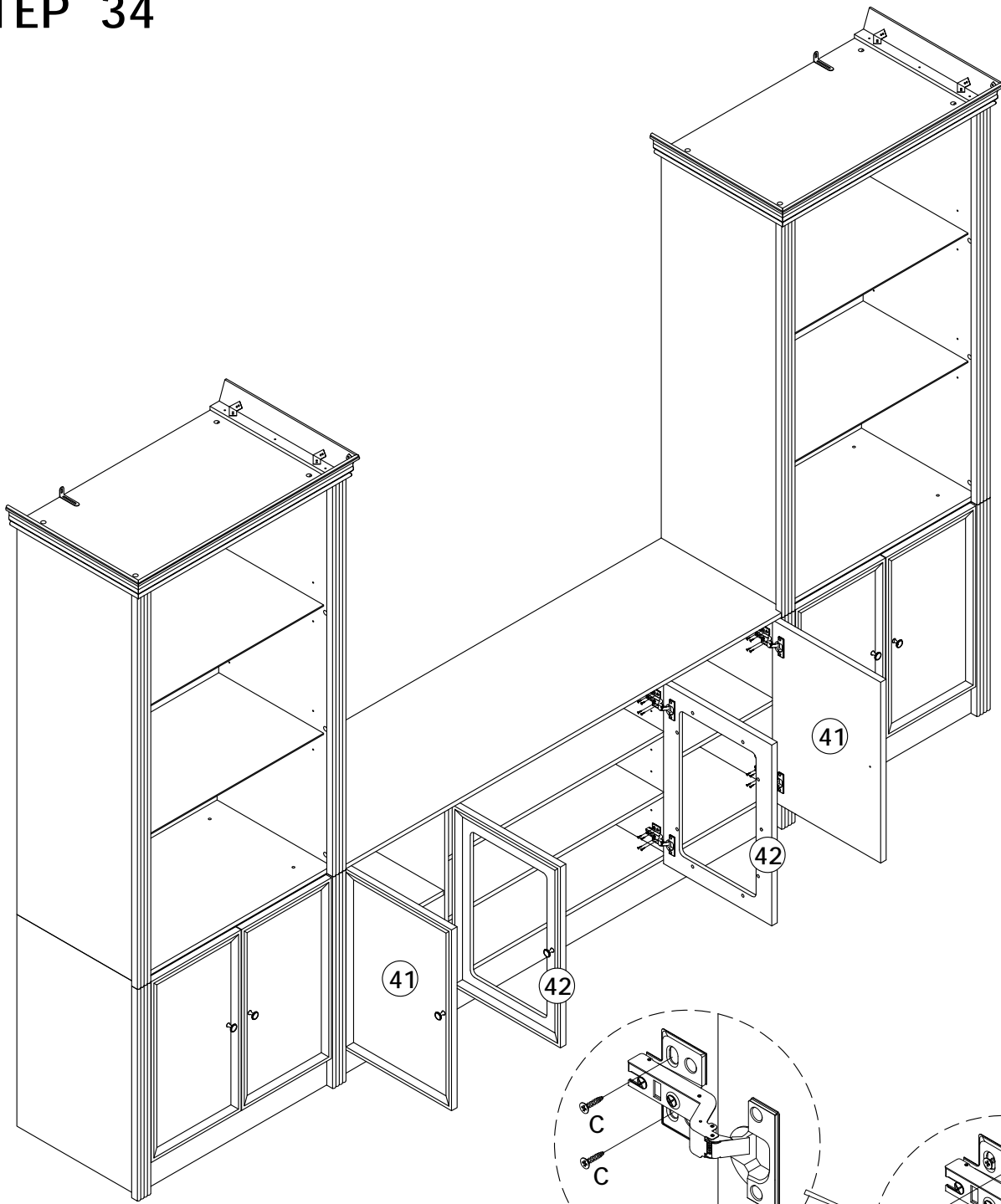
After adjusting the gaps of all doors evenly, fix them with hardware C.

C x 32pcs



3.5 x 14mm

STEP 34



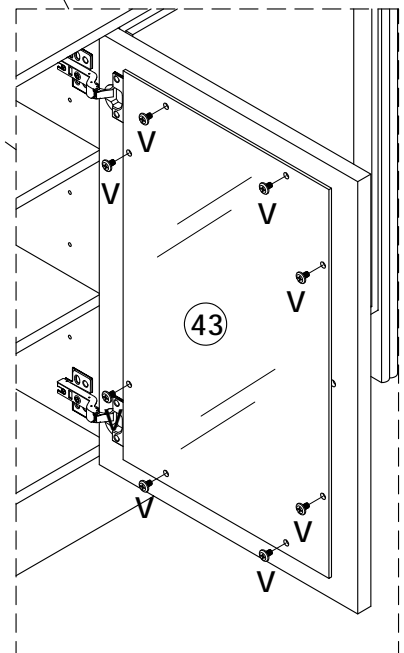
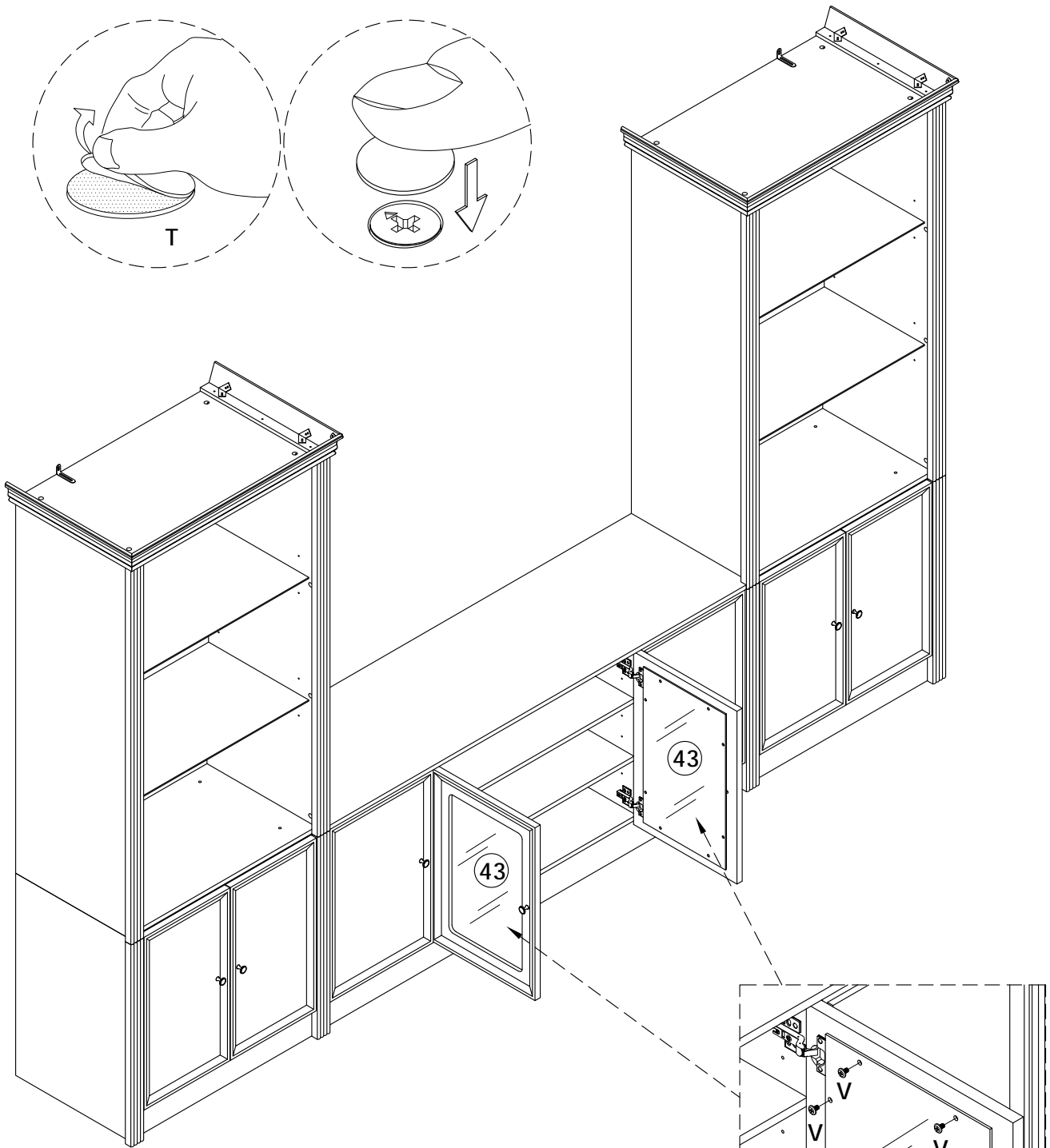
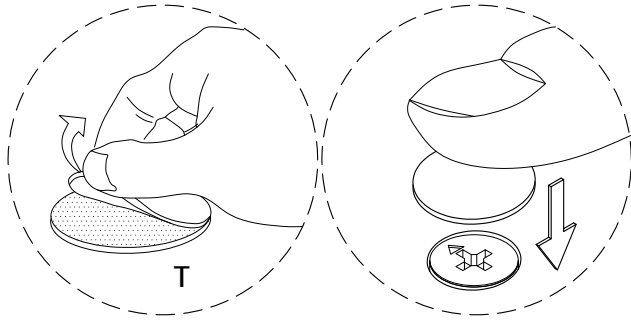
After adjusting the gaps of all doors evenly, fix them with hardware C.

C x 32pcs



3.5 x 14mm

STEP 35



T x 50pcs



V x 16pcs



M6 x 12mm