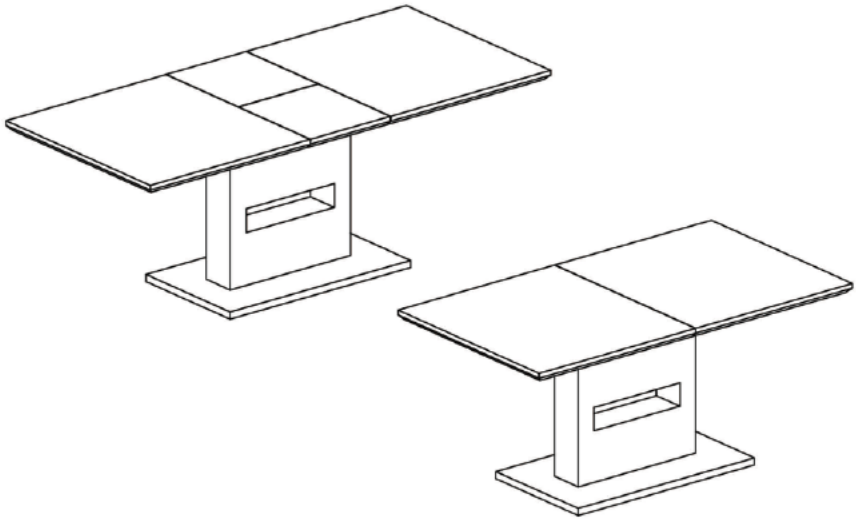


ASSEMBLY GUIDE



Important - Please read these instructions fully before starting assembly



**SAFETY AND
CARE ADVICE**



NO POWER TOOLS

SAFETY AND CARE ADVICE

- Check you have all the components and tools listed.
- Remove all fittings from the plastic bags and separate them into their groups.
- We do not recommend the use of power drills/drivers for inserting screws, as this could damage the unit. Only use hand screwdrivers and Allen keys.
- Keep children and animals away from the work area, small parts could cause choking if swallowed.
- Make sure you have enough space to layout the parts before starting.
- Assemble the item as close to its final position (in the same room) as possible.
- Do not overtighten the nuts to avoid causing damage to the threads.
- Only clean using a damp cloth and mild detergent, do not use bleach or abrasive cleaners.
- From time to time check that there are no loose screws on this unit
- This product should not be discarded with household waste. Take to your local authority waste disposal centre

IMPORTANT INFORMATION



GLASS



TWO
PERSON



45 MINUTE
BUILD



MAXIMUM
CAPACITY 100Kg

PLEASE CHECK CAREFULLY AND MAKE SURE YOU HAVE ALL FITTINGS AND TOOLS LISTED BELOW BEFORE YOU START.

Parts Identification

①x1 table top	②x2 supporting block	③x1 middle frame	④x1 base

A	B	C	D
X04	X01	X02	X01

E	F	G	H
X04	X04	X01	X04

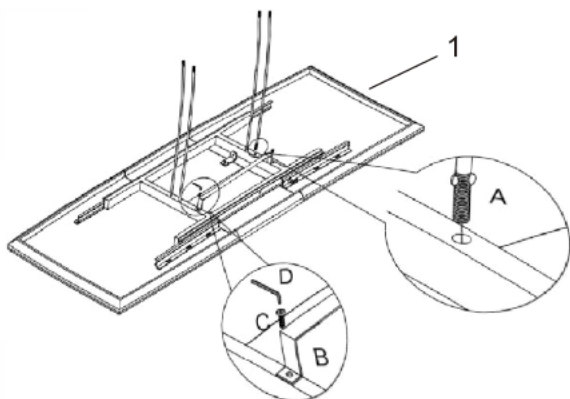
NOTE: The quantities above are the correct amount to complete the assembly. In some cases more fittings may be supplied than are required.

STEP 1

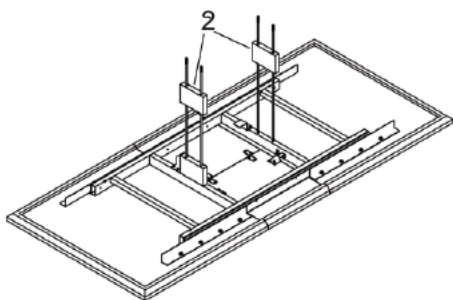
Use a clear, flat, soft surface to avoid bumps or scratches. Lay the table top on the floor, with the bottom side facing upwards.

Screw 4x table rods [A] into the corresponding holes on the tabletop metal frame, either side of the extension piece, as per diagram.

Next attach the supporting bar [B] into the corresponding holes on the tabletop metal frame and secure with the 2 x bolts [C] - 1 at either end. Use the Allen key provided (Part D) to tighten.



PARTS REQUIRED



STEP 2

Thread the two supporting small blocks over the table rods first, one on each side.

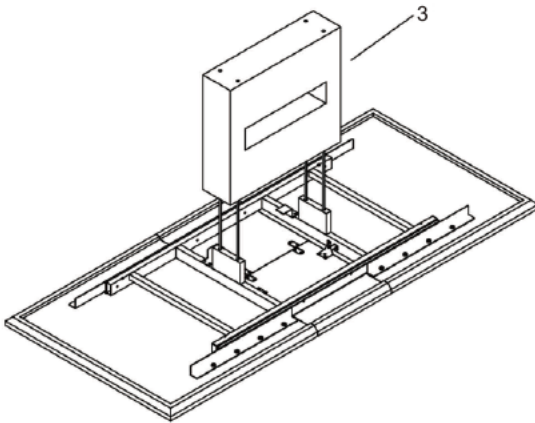
Once these are on, thread on the 3 table leg blocks with chrome bands on, chrome bands facing towards you.

Then add the 4th table leg block on top

STEP 3

Once all table leg blocks have been added, align the table base holes over the table rods and secure in place.

Use 1 x washer [E] followed by the split washer [H] then nut [F]. Use the spanner [G] to tighten. Repeat for 3 other holes in base.



STEP 4

ATTENTION: Check all nuts are securely tightened and then carefully lift the table over on to its base (this will require 2 people) and the table is ready to use.

To extend, release the 4 catches on the ender edge of the mechanism and gently slide table panels outwards. The middle panels will automatically lift and slot into place.

