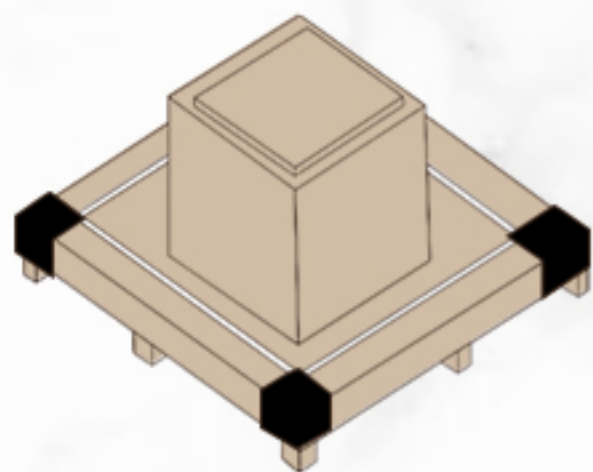
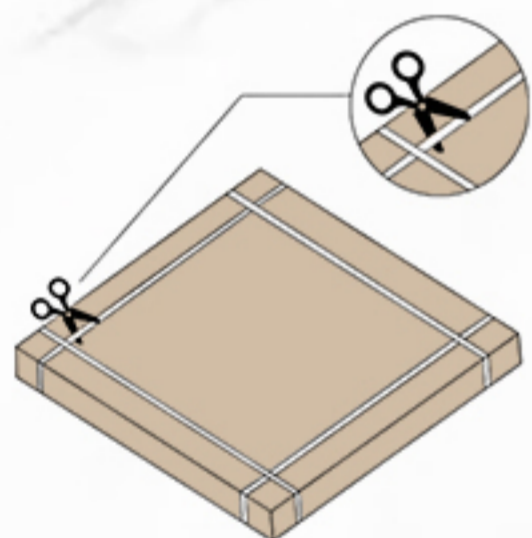


# INSTALLATION INSTRUCTION



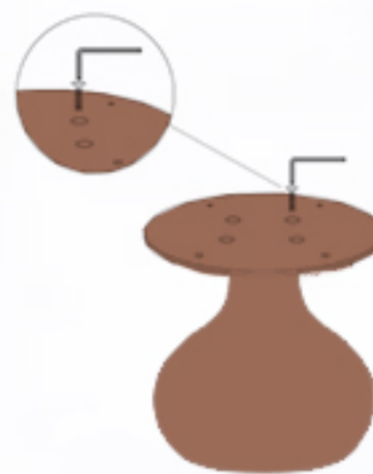
Check the integrity of the outer box after receiving the package.

**Please note:** There is a corner safety protection on the package, you can cut the tape directly to remove.

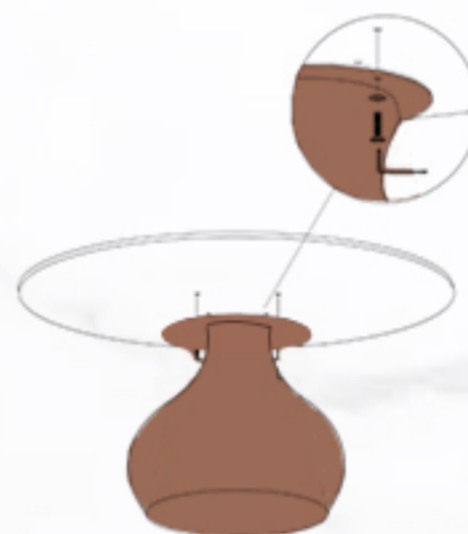


Then let us start unpacking the boxes.

**Note:** Need to unpack and inspect all items: tabletop, connecting plate, and base.



Place the connecting plate on the base and secure the connecting plate and base with screws.



Flip the coffee table, align the holes on the connecting plate with those on the table, and use a screwdriver to install the screws.

**(Plz handle with care when flipping.)**



Install adjusting screws into the corresponding holes at the bottom. **Note:** Part D is a height adjustment screw for leveling the base.



Assembly completed