

| | | |
|----------------|----------------|-------------|
| A-32-3636-6-HS | 914x914x1828MM | 36"x36"x72" |
| A-32-3636-6-YS | 914x914x1828MM | 36"x36"x72" |

[1]

[2]

[3]

[4]

[5]

[6]

[7]

[8]

[9]

[10]

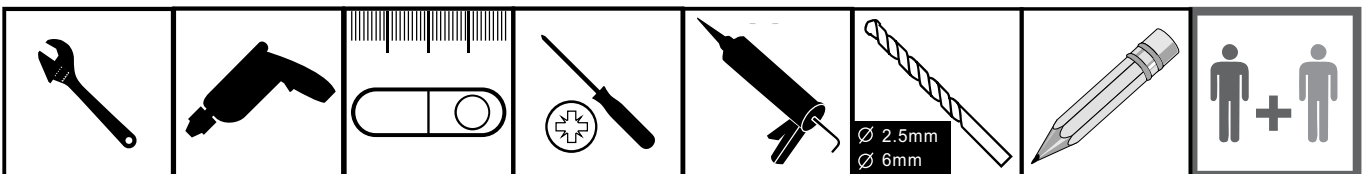
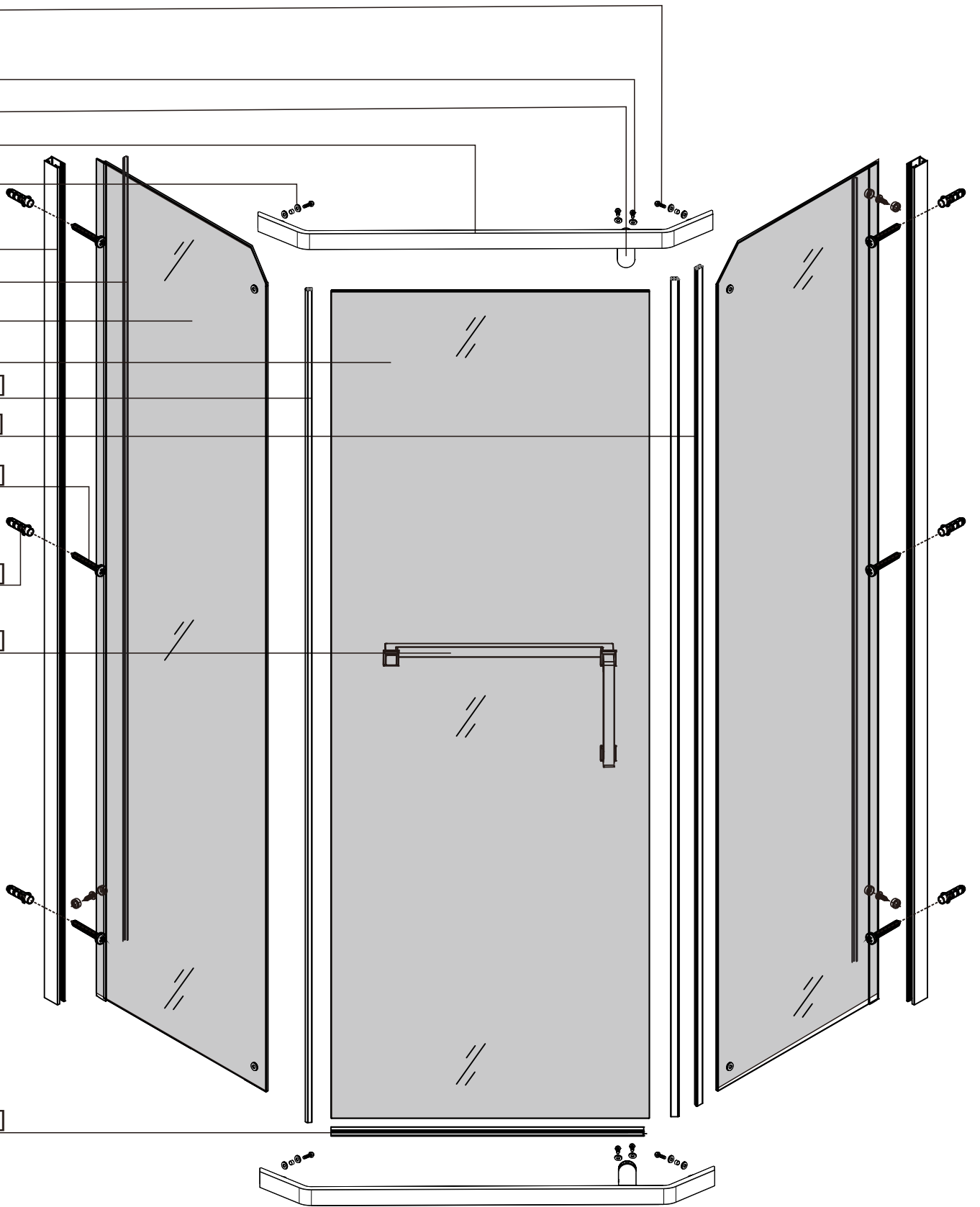
[11]

[12]

[13]

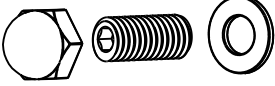
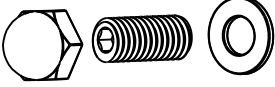









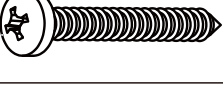



[14]

[15]

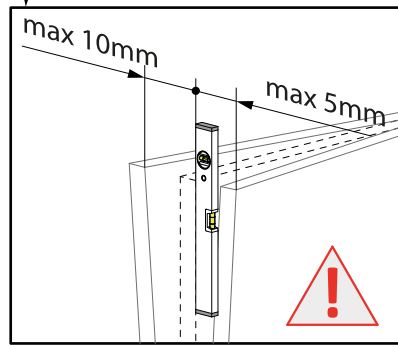
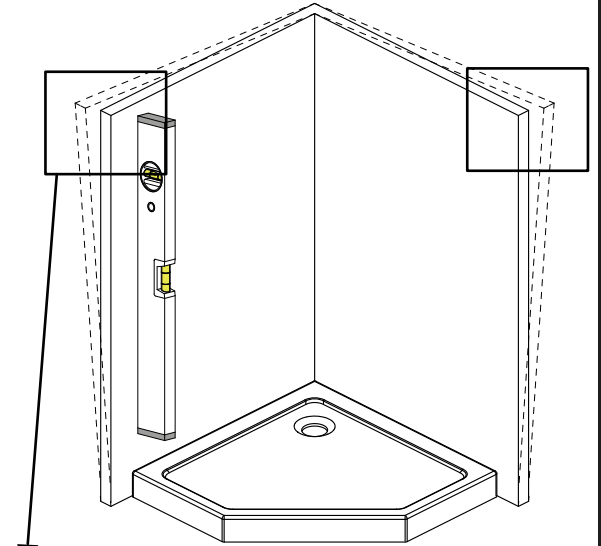
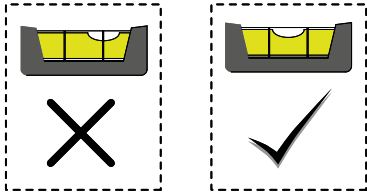
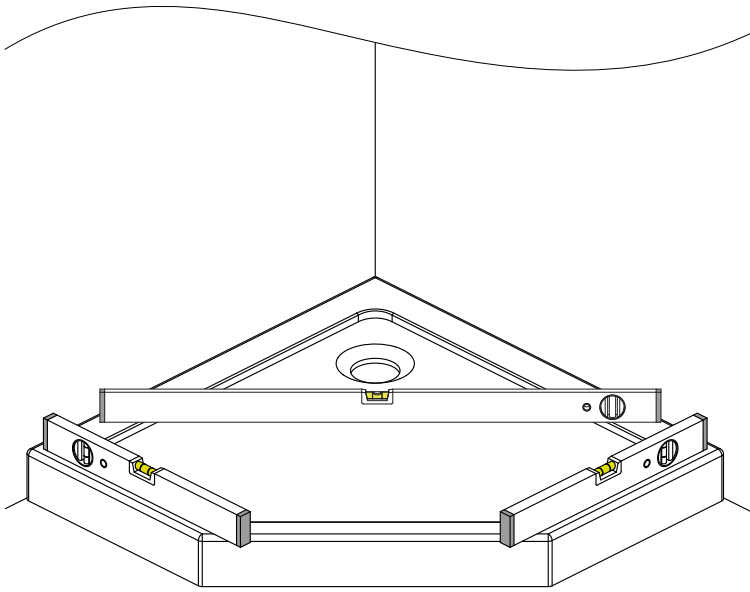


Ø 2.5mm
Ø 6mm

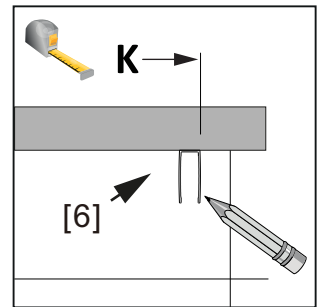
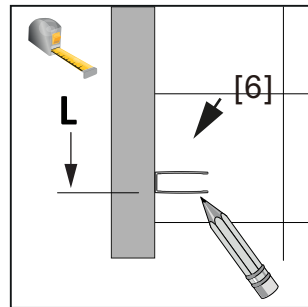
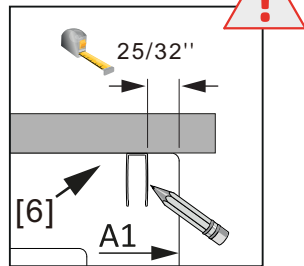
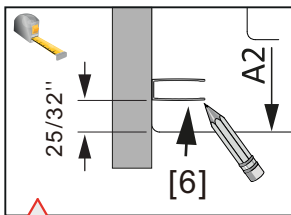
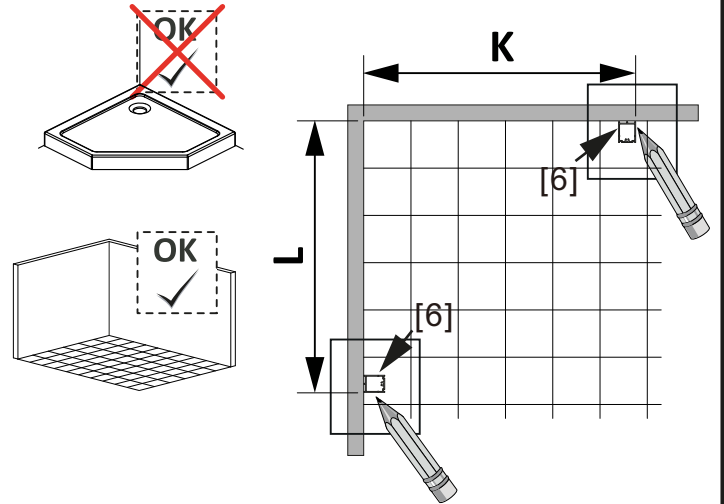
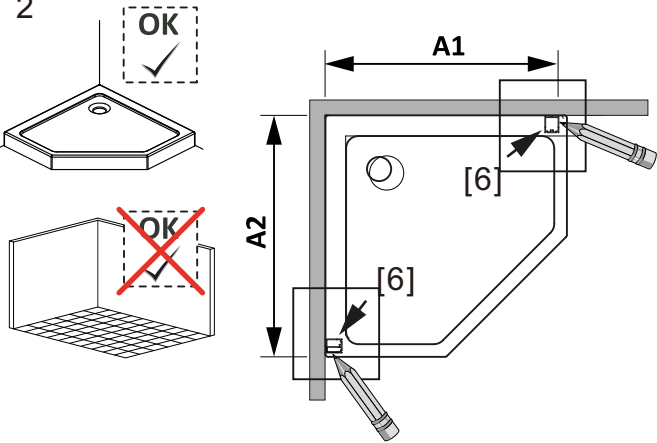
◆ Box Contents

| Item | Prats | Photo | Qty |
|-----------|---------------------------------|---|----------|
| 1 | Stainless steel M8×25 |  | 4 |
| 2 | Stainless steel M8×20 |  | 4 |
| 3 | Zinc-alloy hinge pivot |  | 2 |
| 4 | Stainless steel support bar |  | 2 |
| 5 | Rubber gasket (washer) |  | 8 |
| 6 | Wall aluminium profile |  | 2 |
| 7 | Single-side seal strip |  | 2 |
| 8 | Fixed glass panel |  | 2 |
| 9 | Moving glass panel (door glass) |  | 1 |
| 10 | H-shaped water seal strip |  | 1 |
| 11 | Magnetic strip |  | 1 |
| 12 | 4×30 round-head screws |  | 6 |
| 13 | Ø6 expansion tube (wall anchor) |  | 6 |
| 14 | L-shaped handle |  | 1 |
| 15 | Bottom water seal strip |  | 1 |

1



2



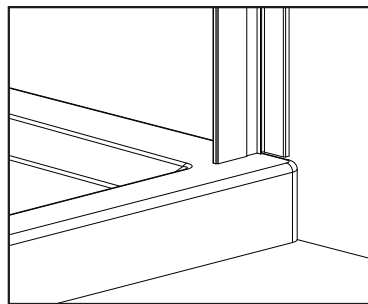
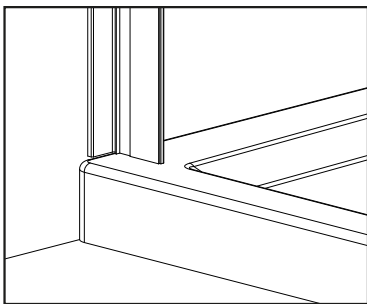
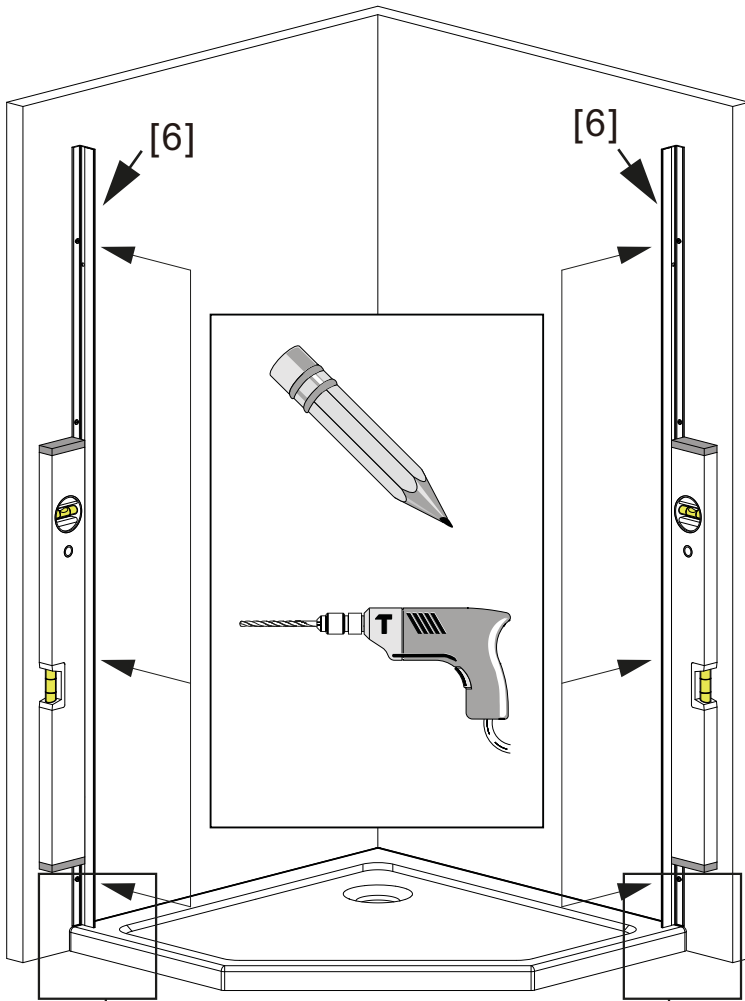
| | |
|-----|-----|
| A1 | A2 |
| 36" | 36" |



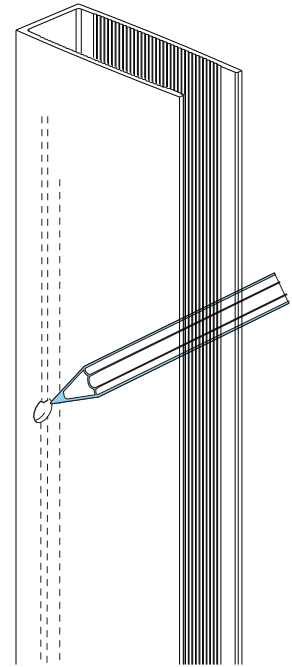
| | | |
|-----|-----|-----|
| K/L | 36" | 36" |
|-----|-----|-----|



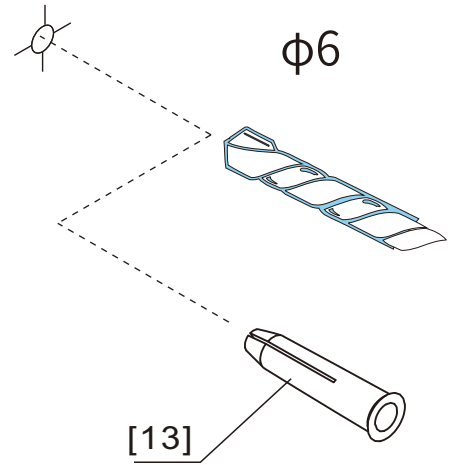
3



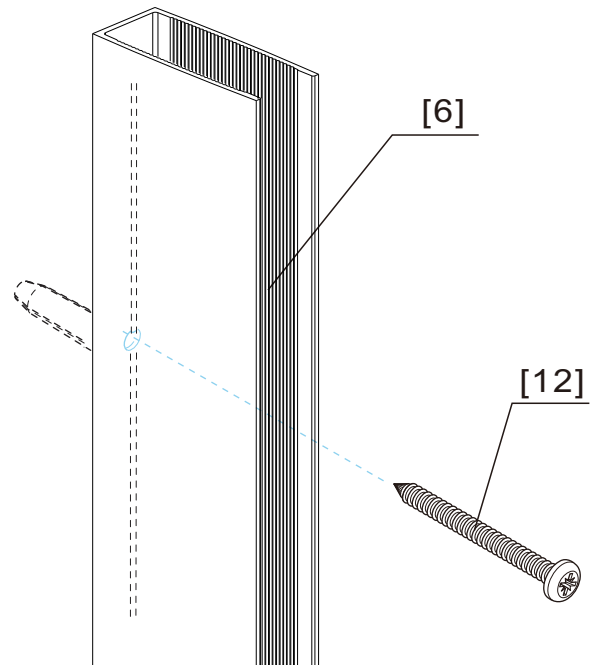
3.1

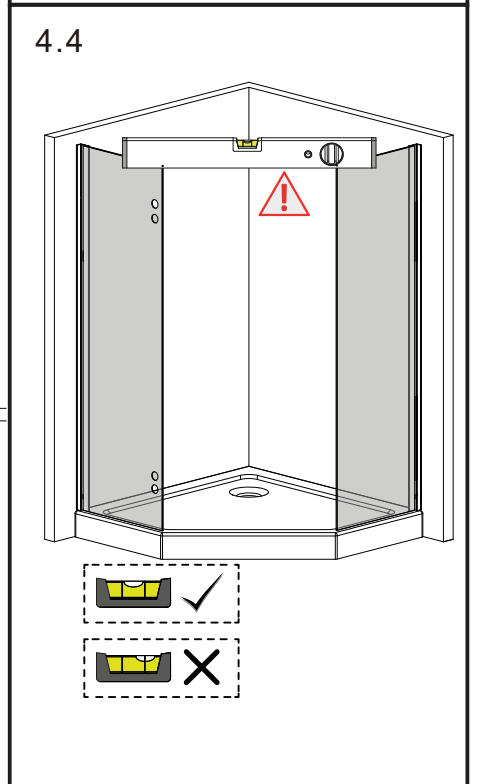
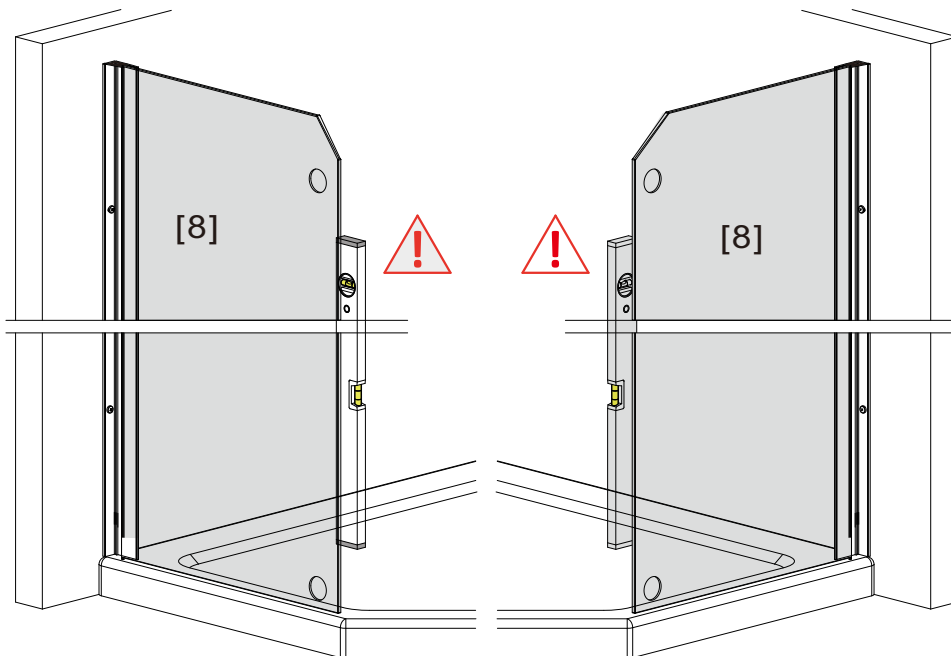
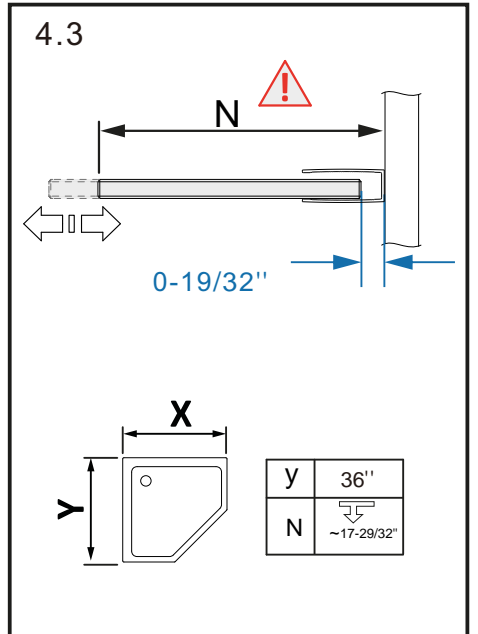
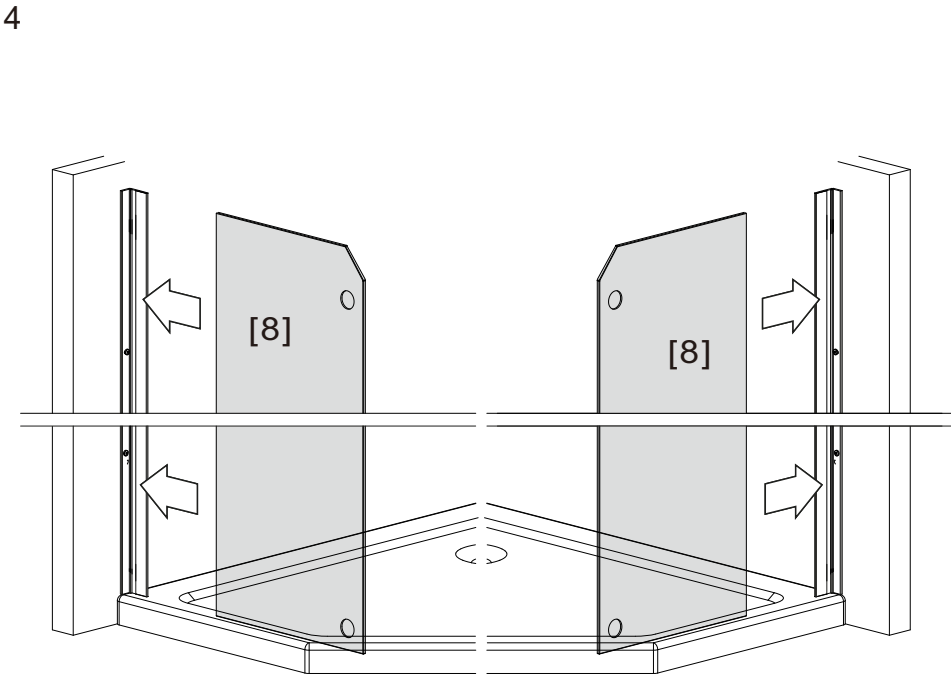
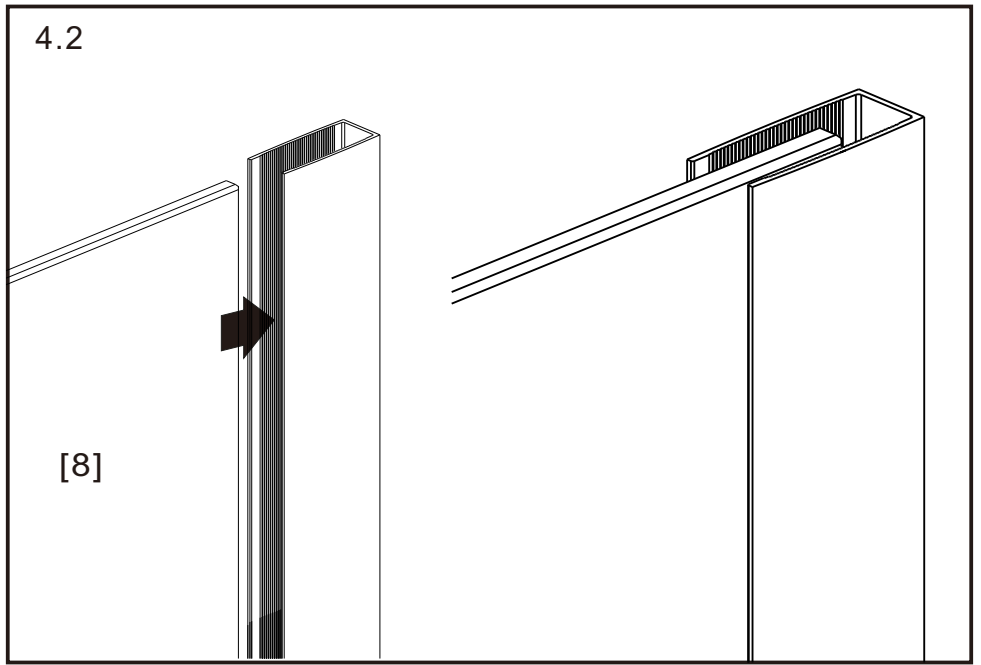
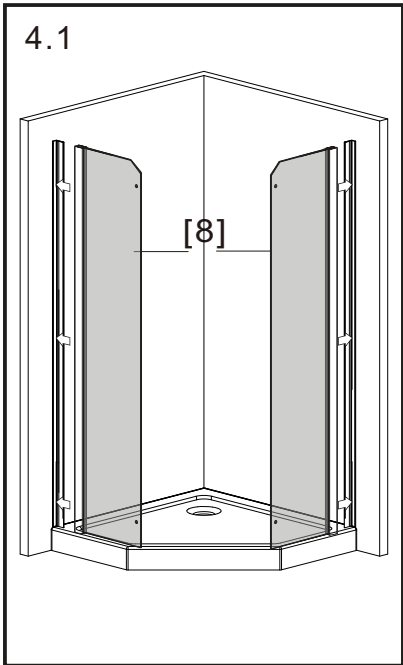


3.2

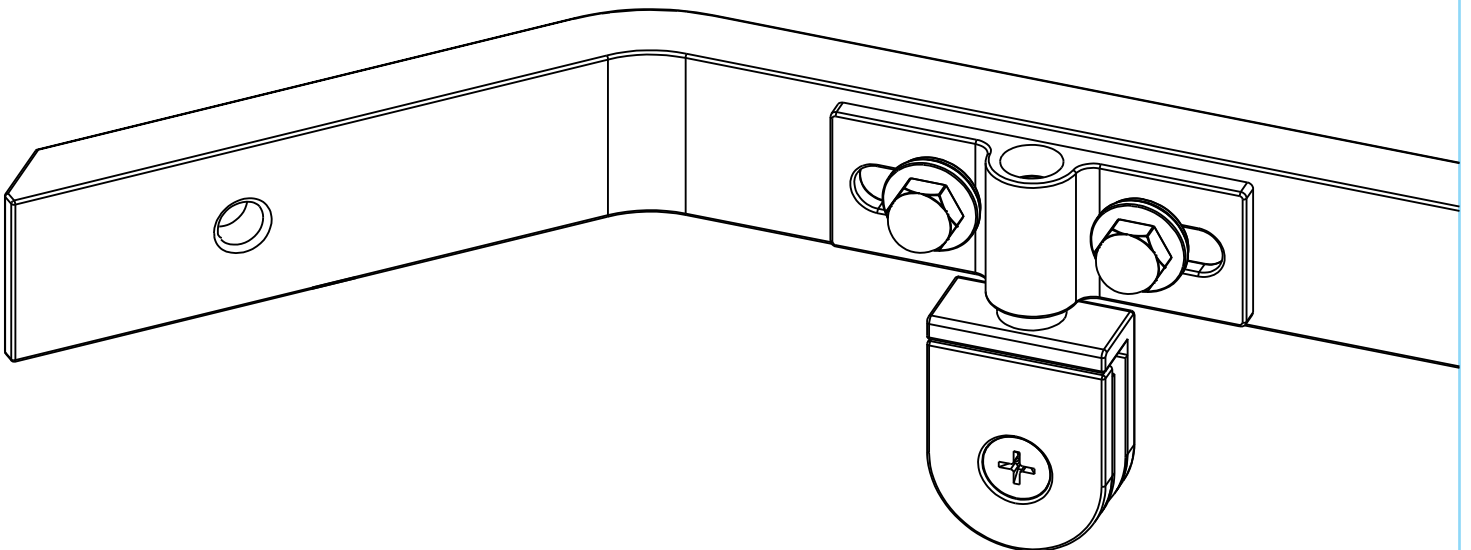
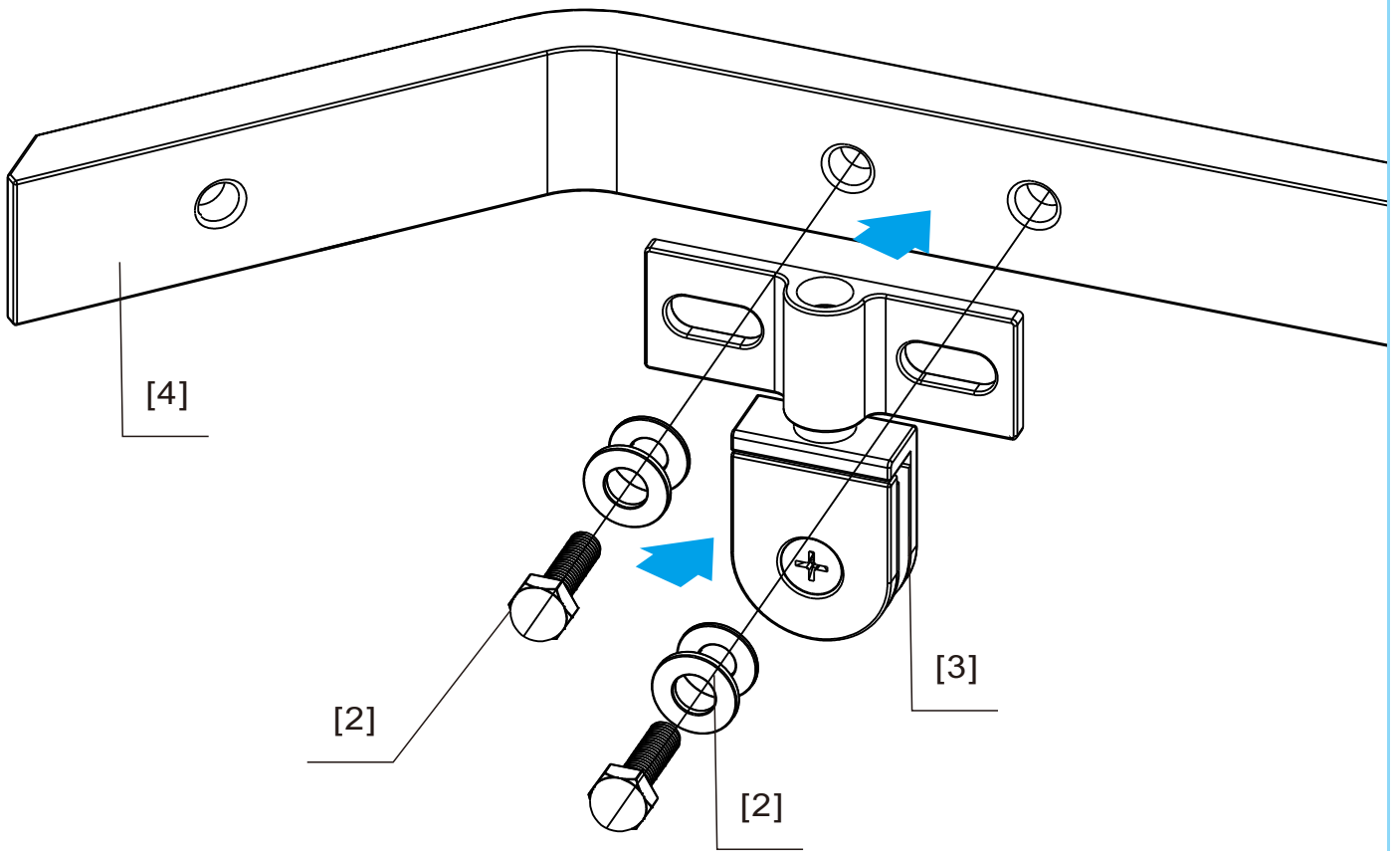
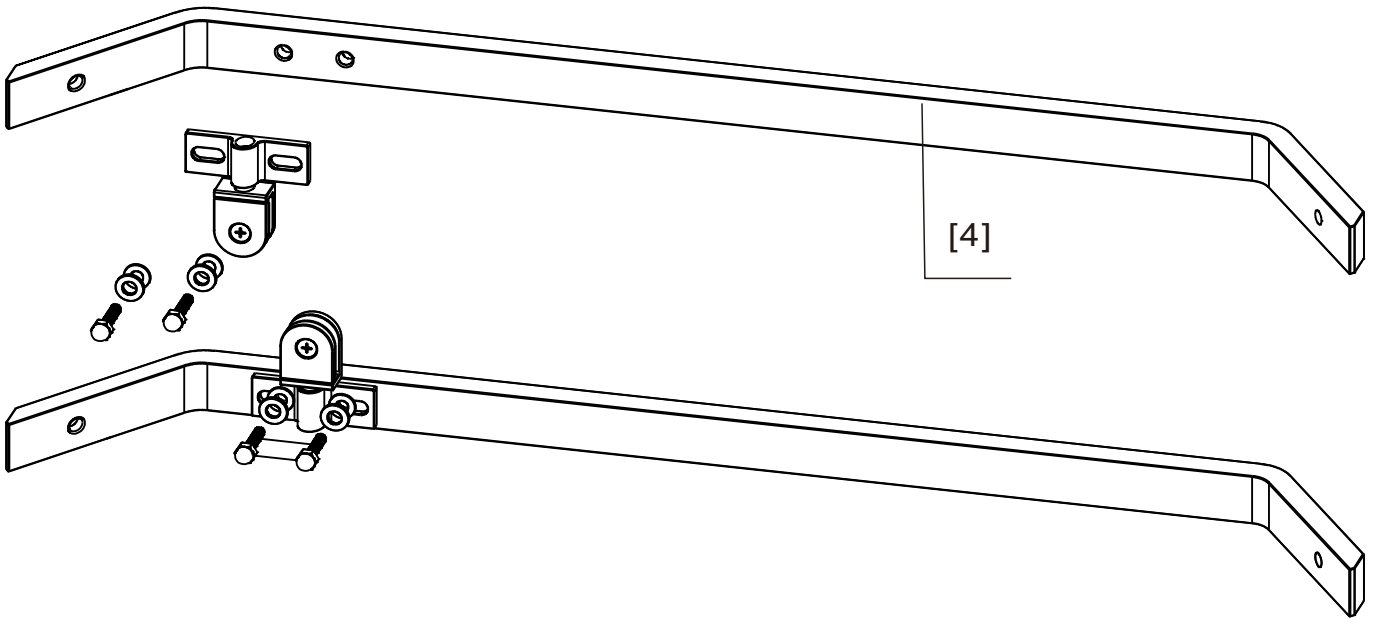


3.3

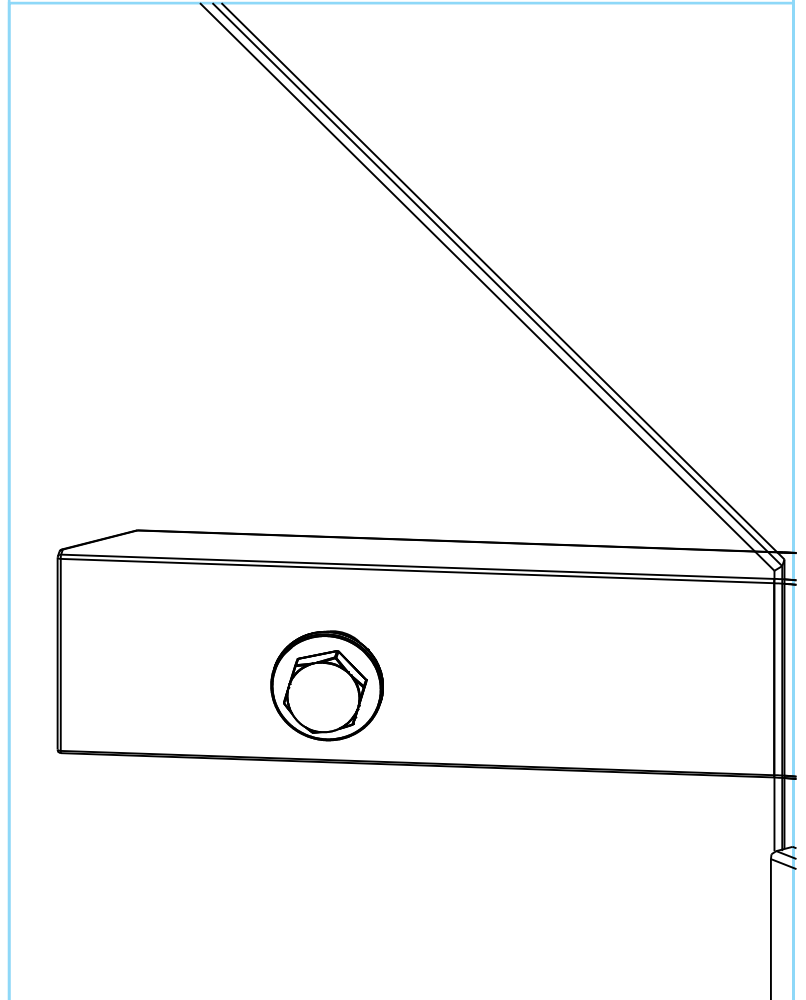
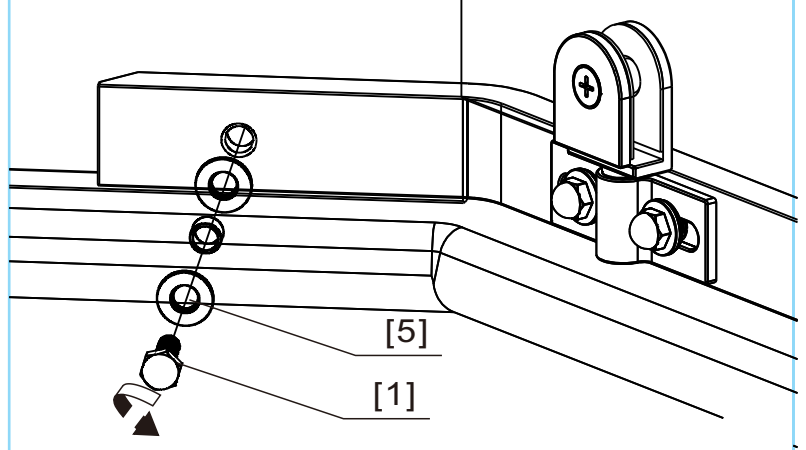
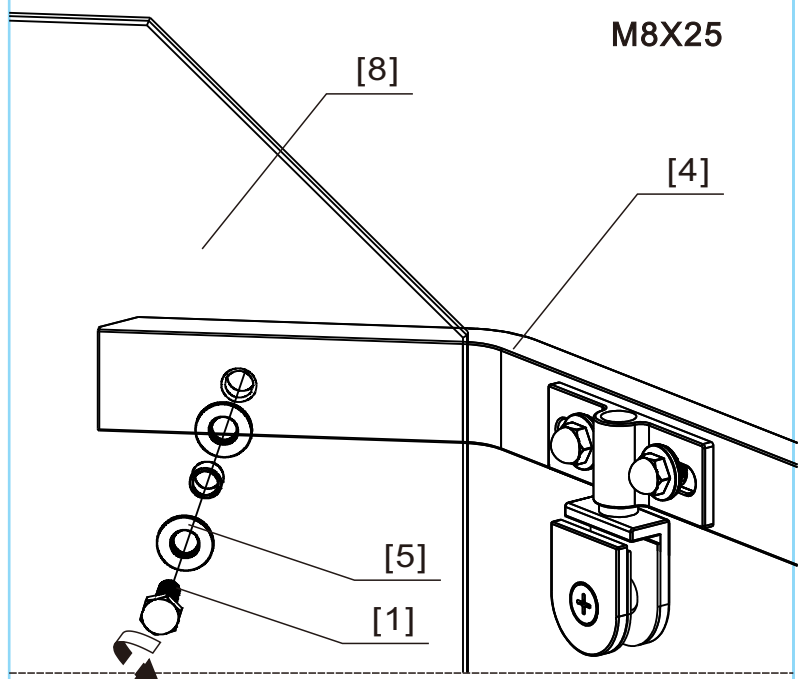
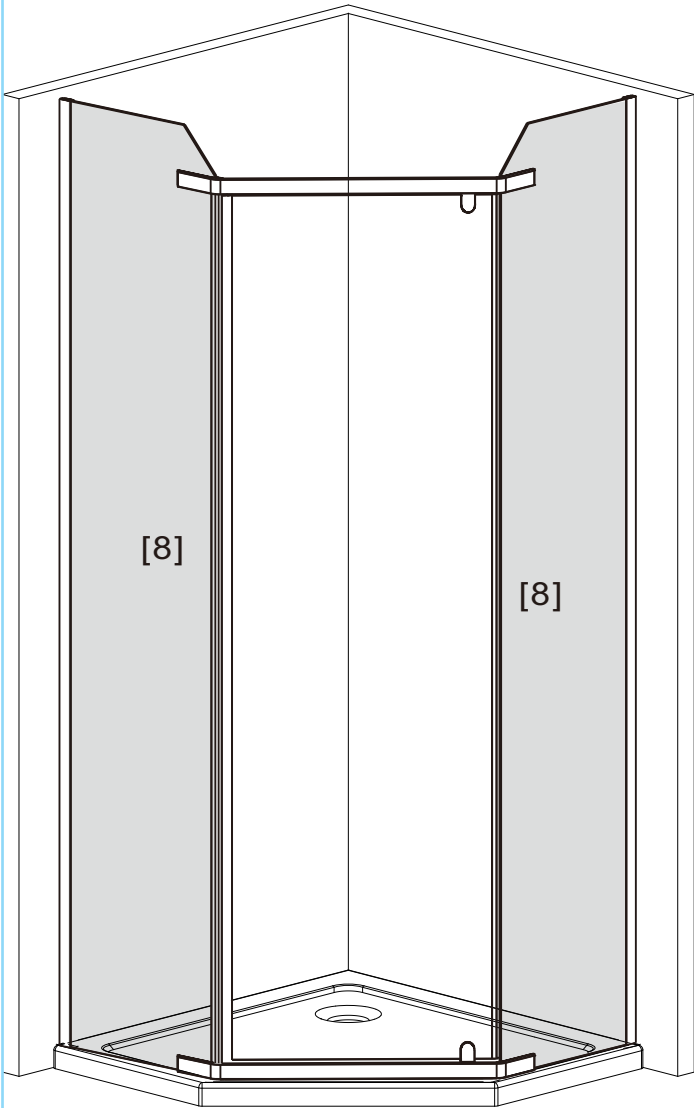




5



6



M8X25

[8]

[4]

[5]

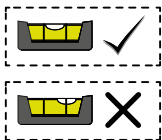
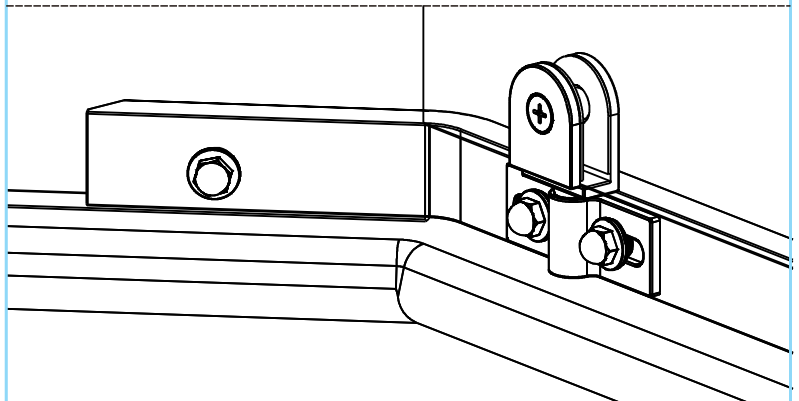
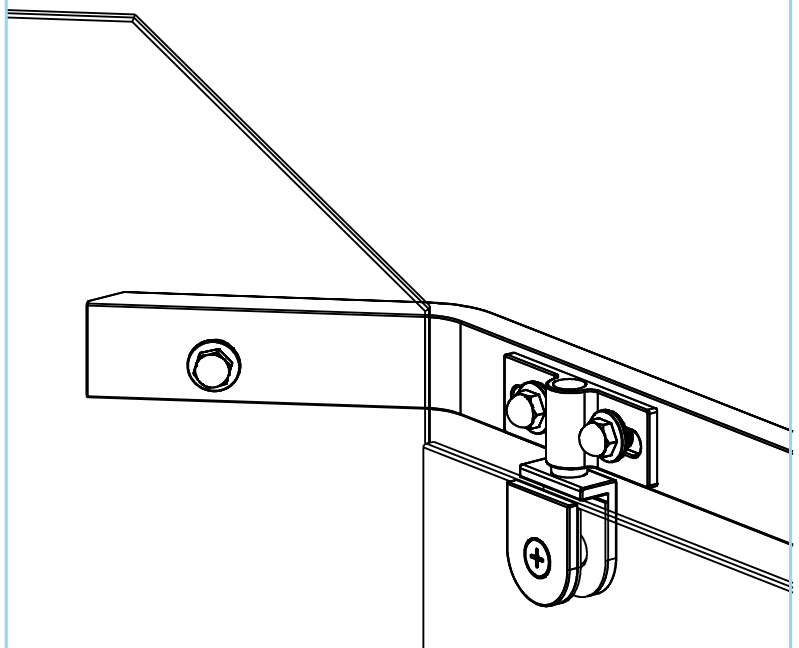
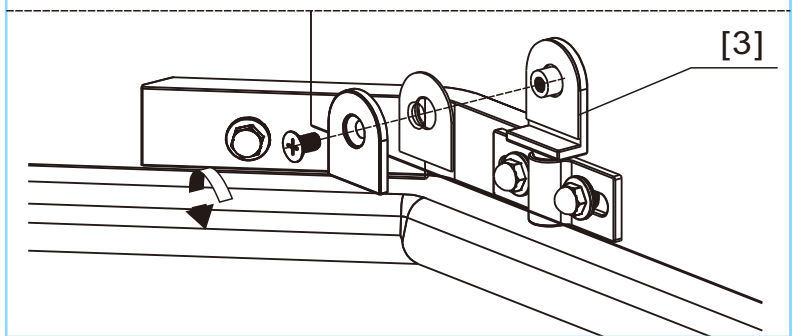
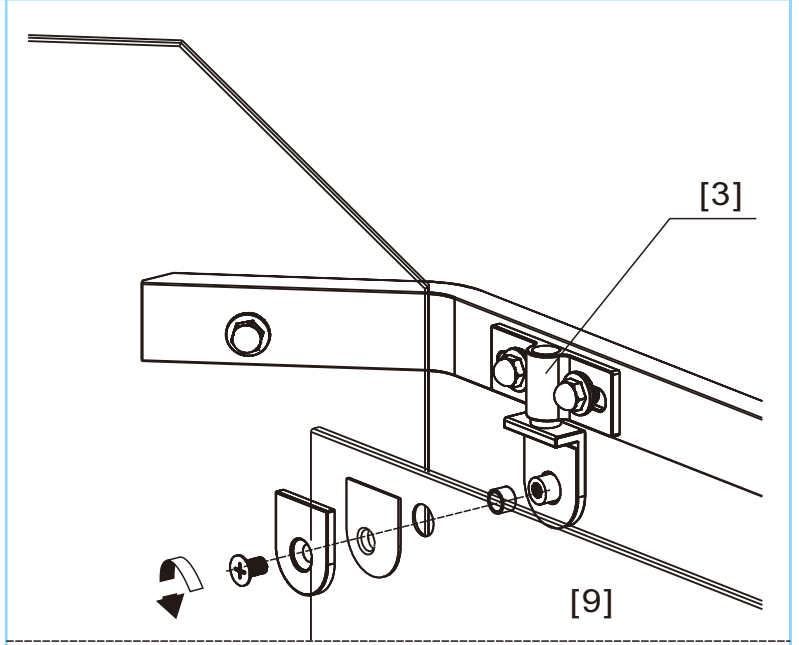
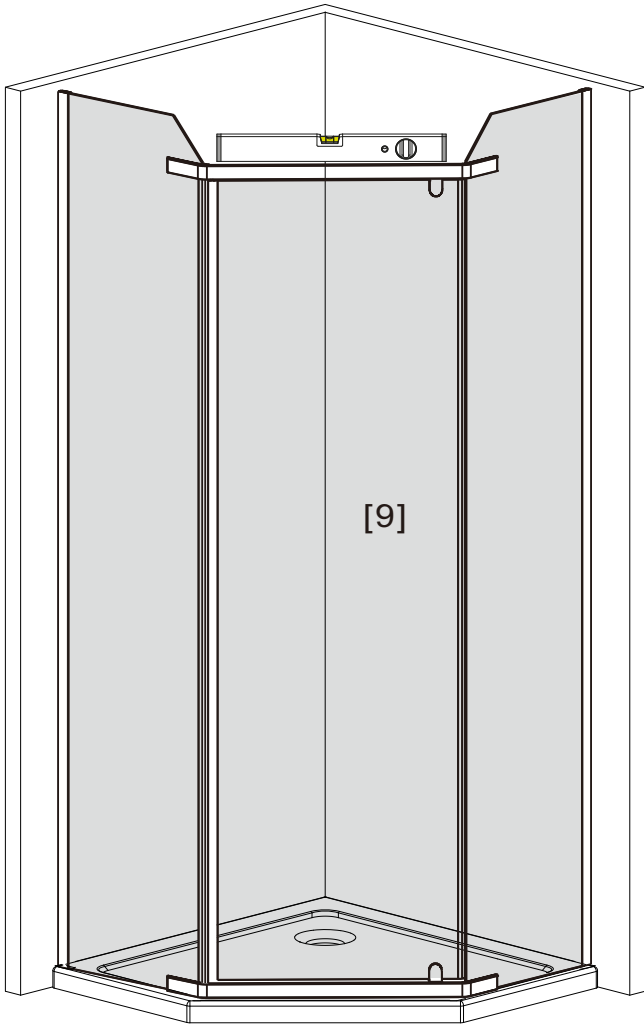
[1]

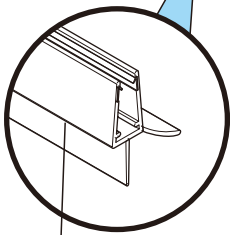
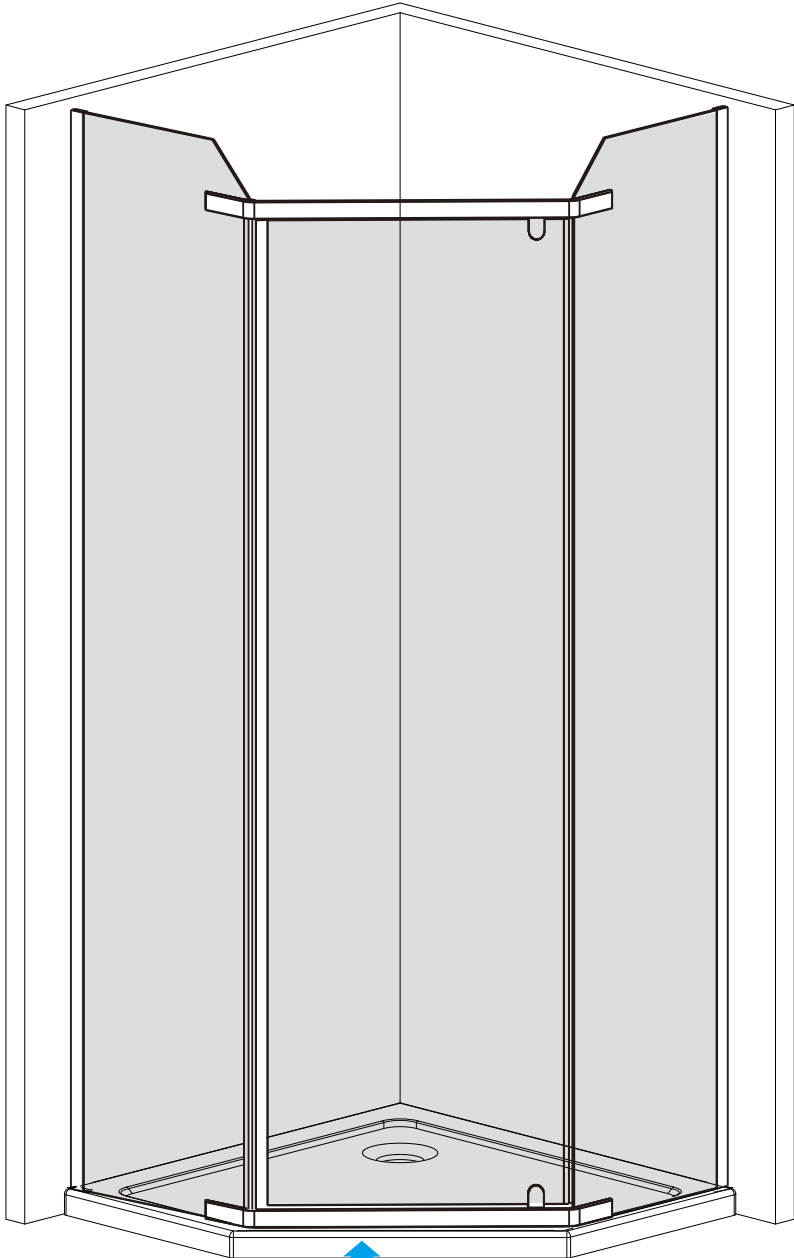
[8]

[8]

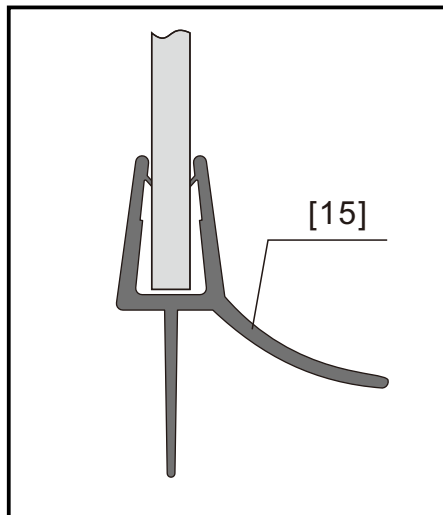
[5]

[1]

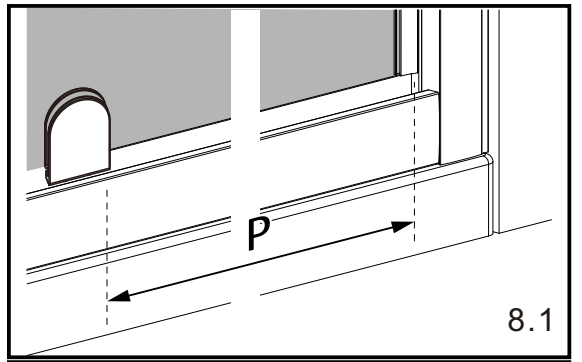




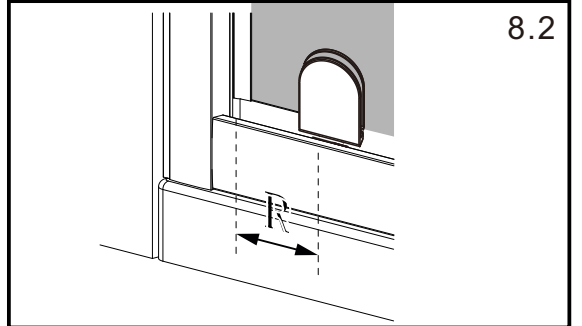
[15]



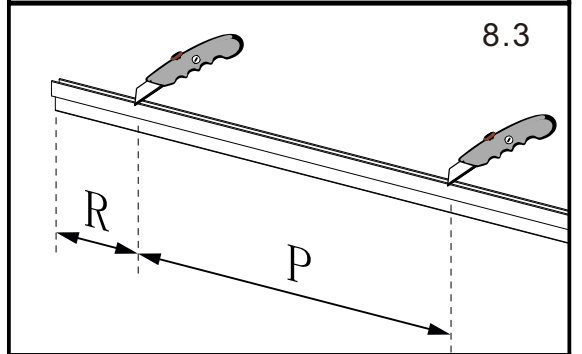
[15]



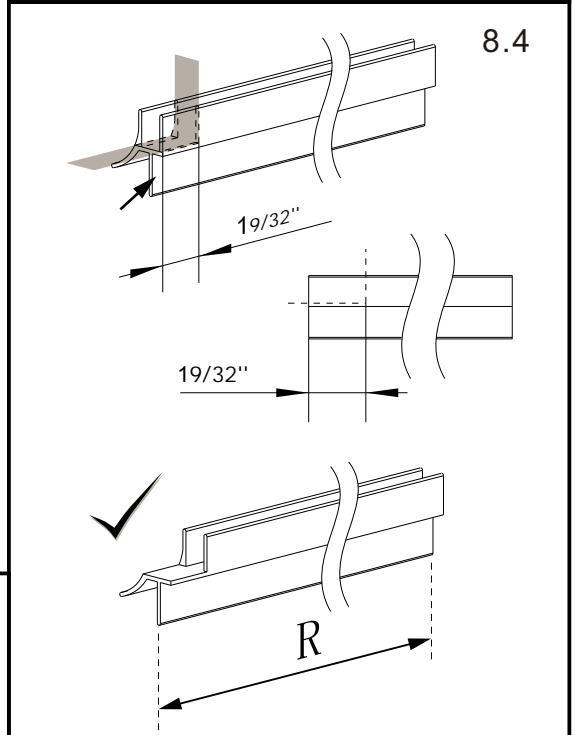
8.1



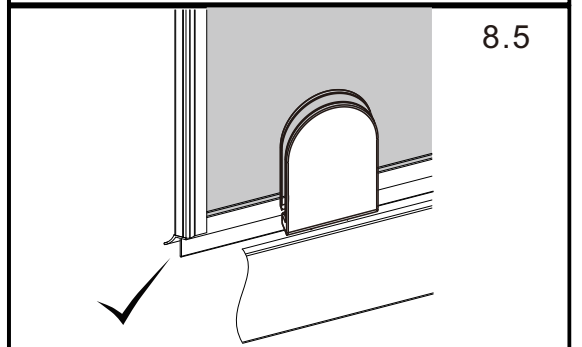
8.2



8.3

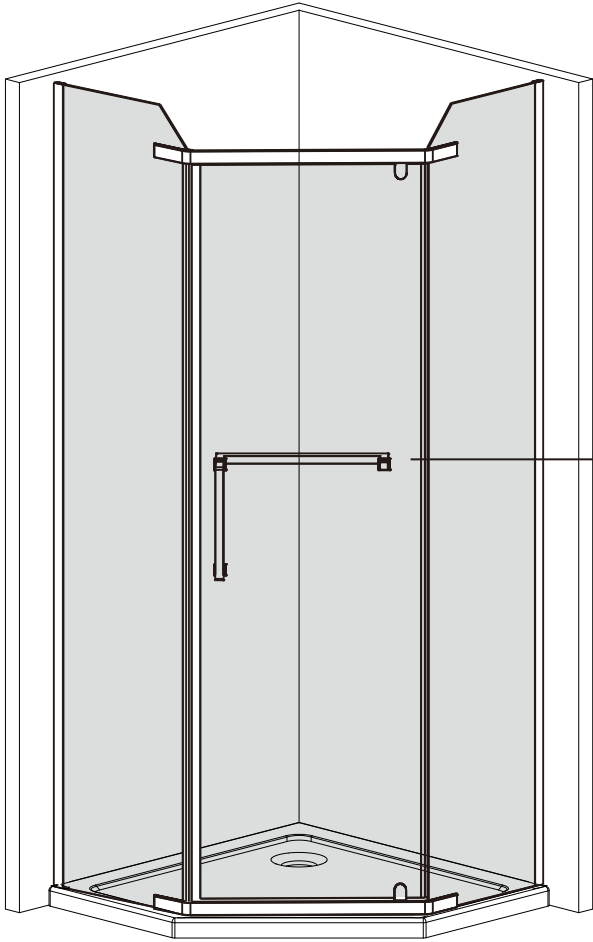


8.4

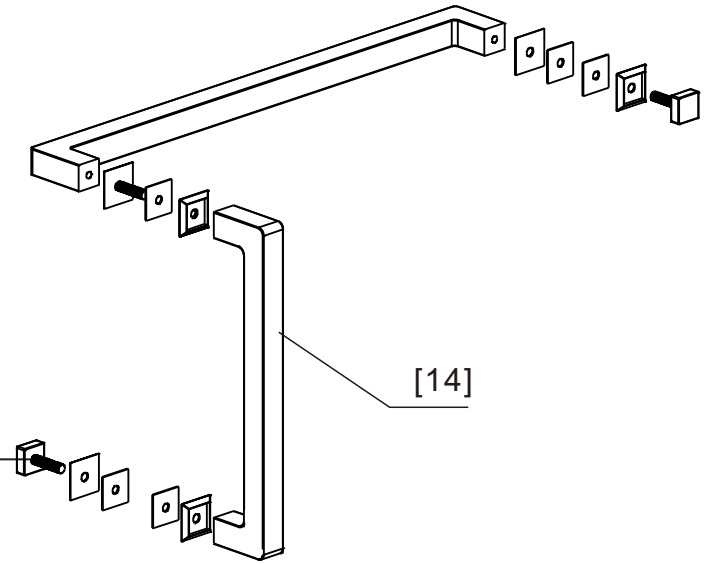


8.5

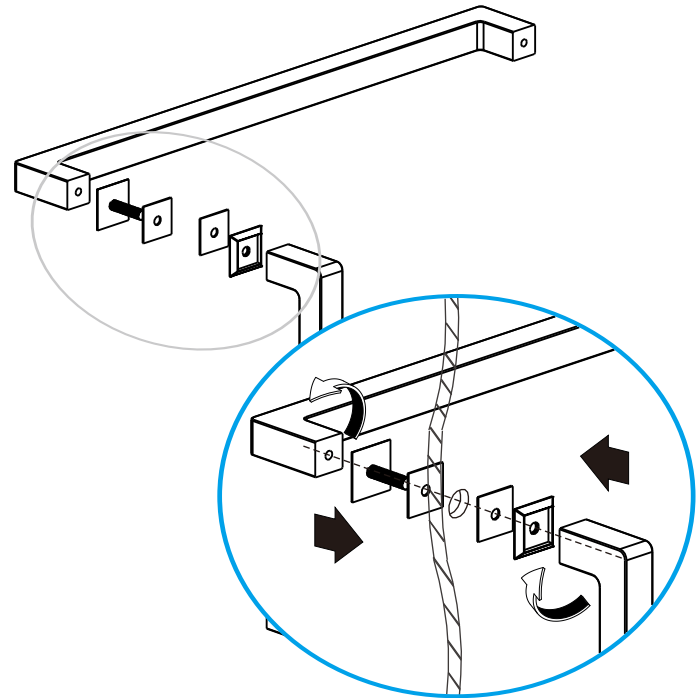
9



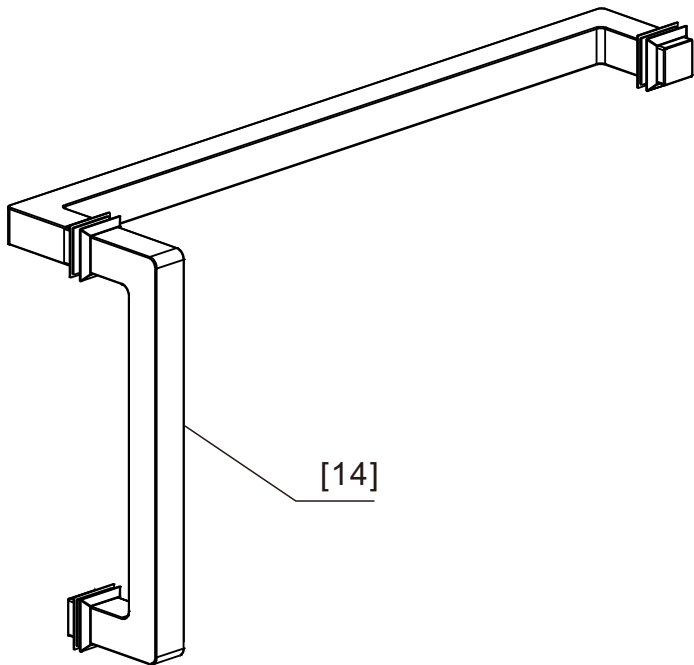
9.1



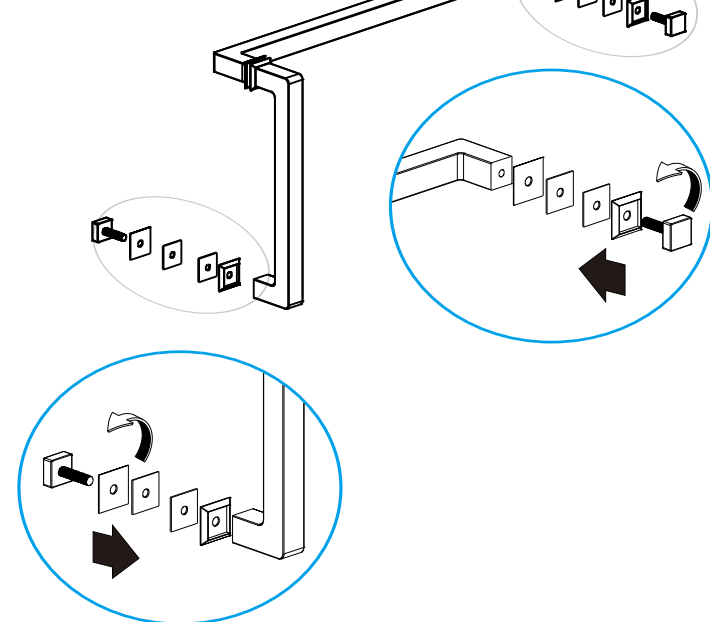
9.2



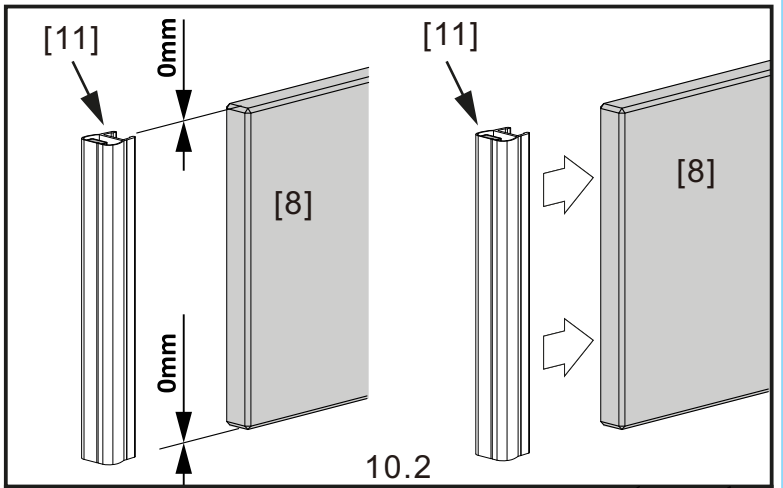
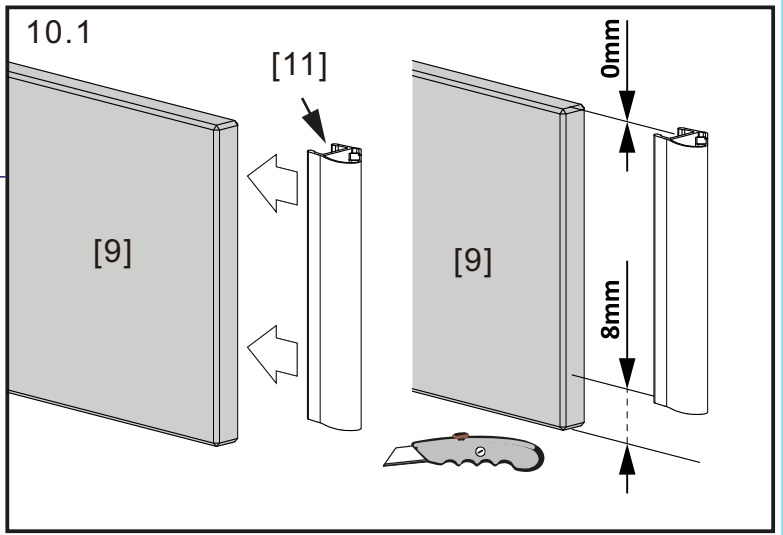
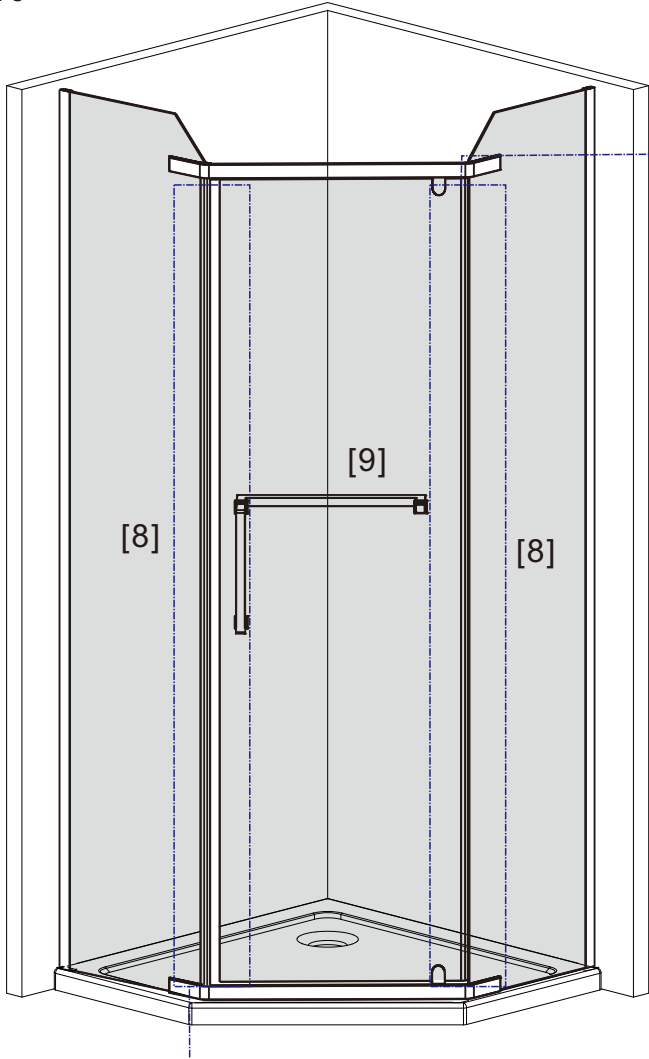
9.4



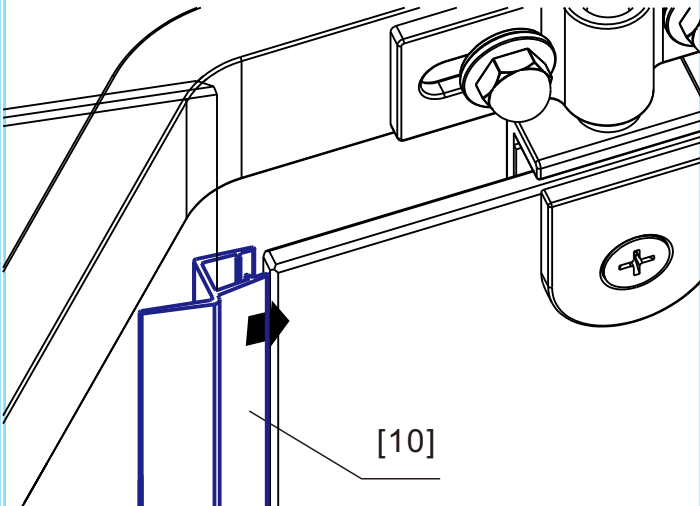
9.3



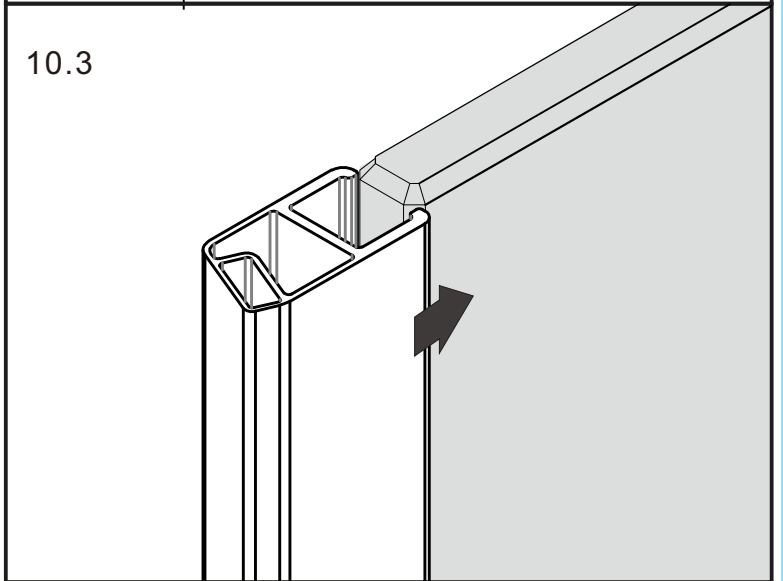
10



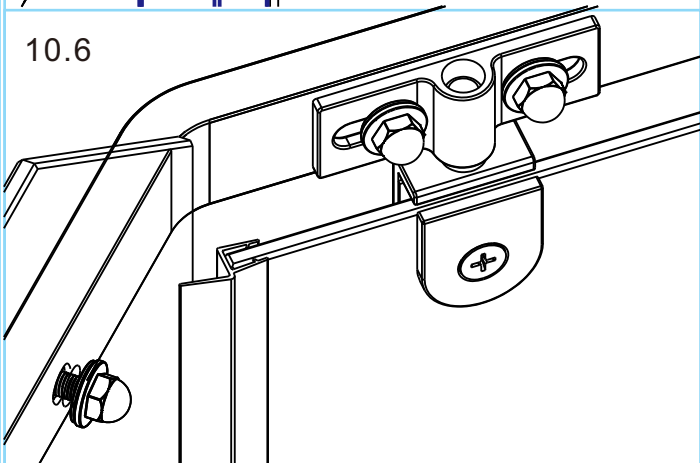
10.5



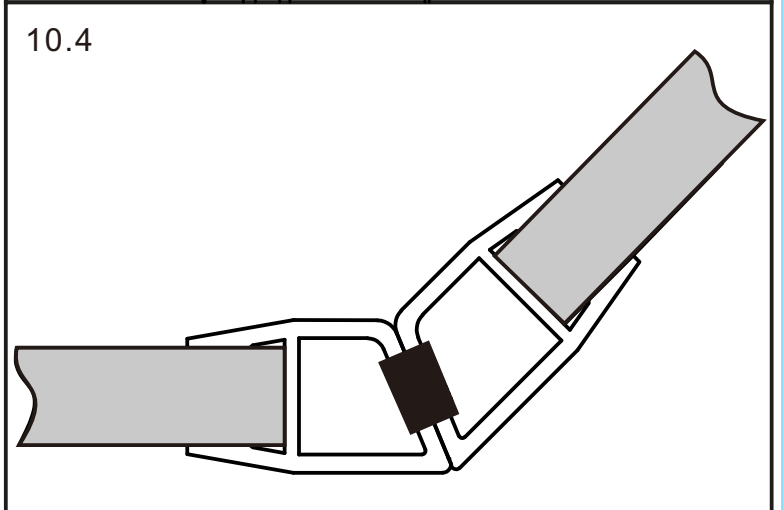
10.3



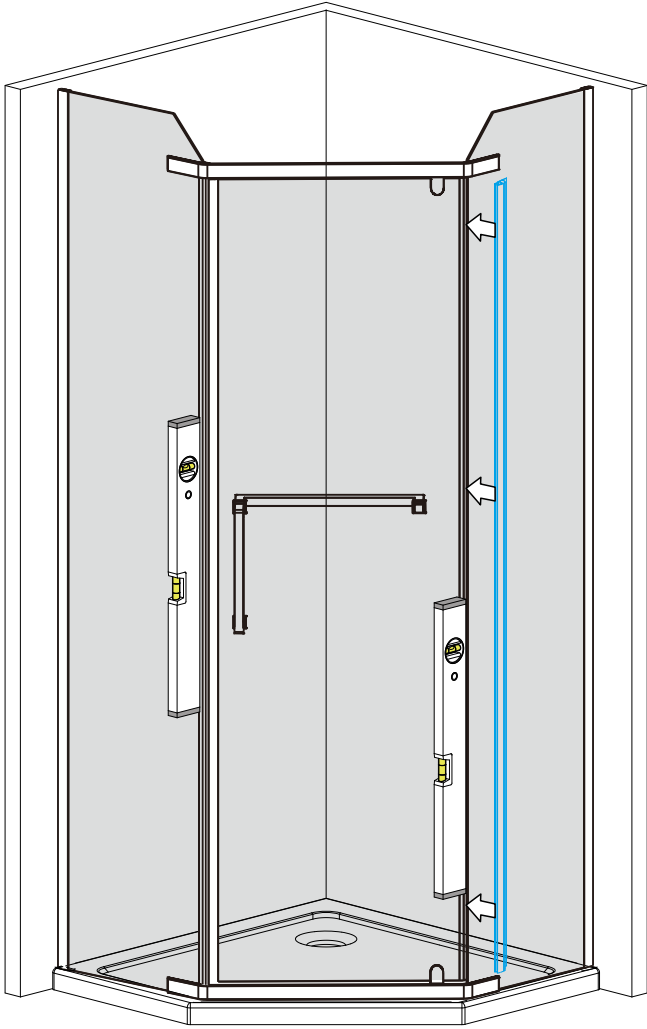
10.6



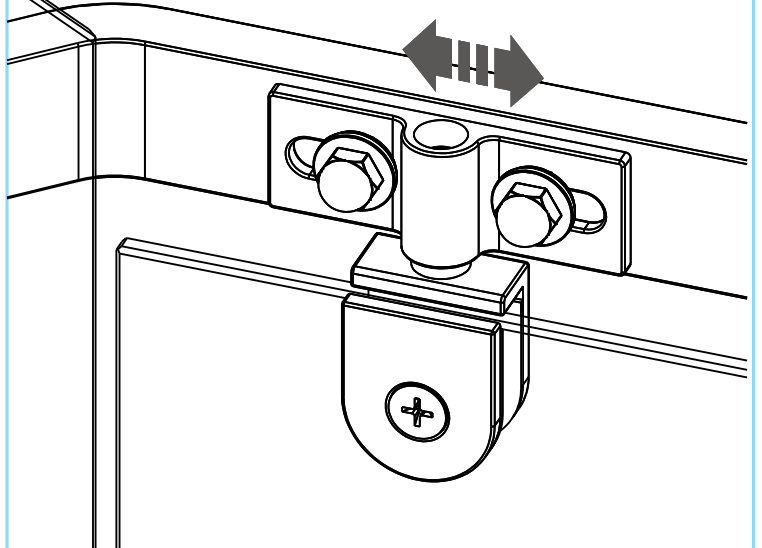
10.4



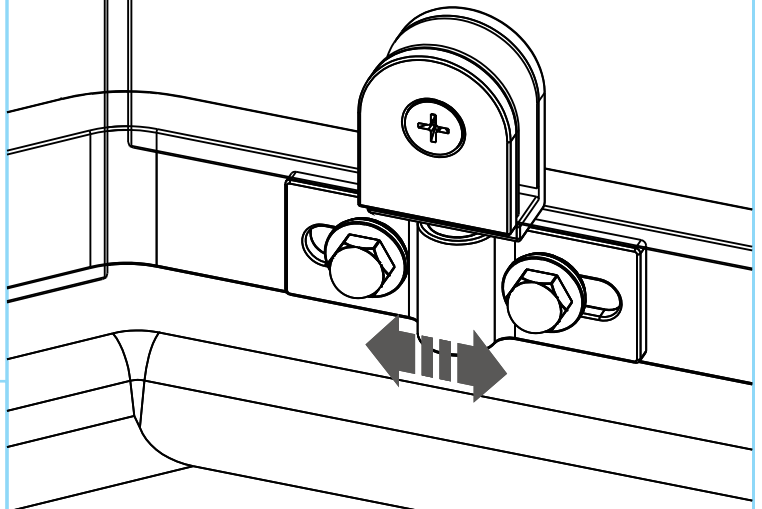
11



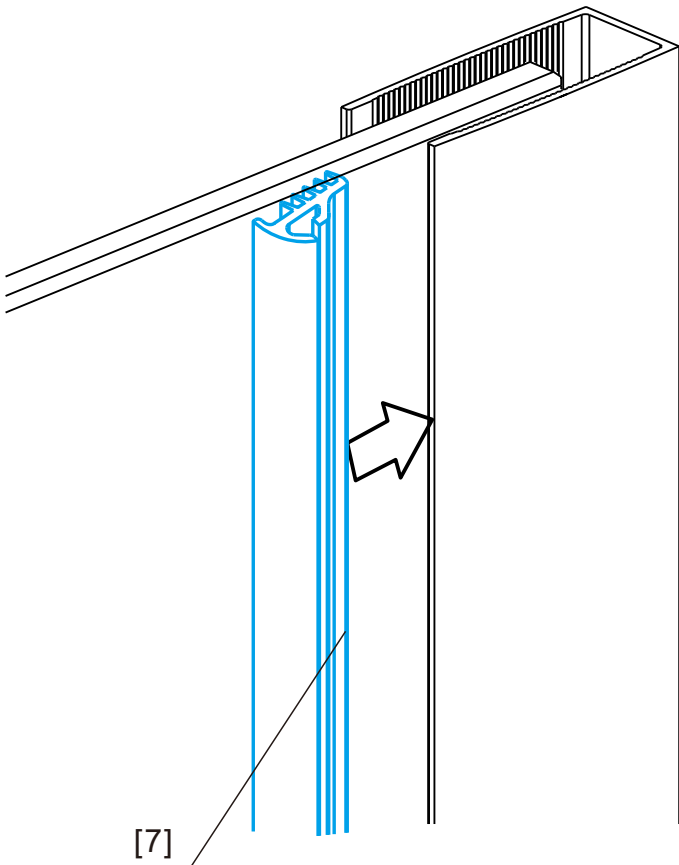
11.1



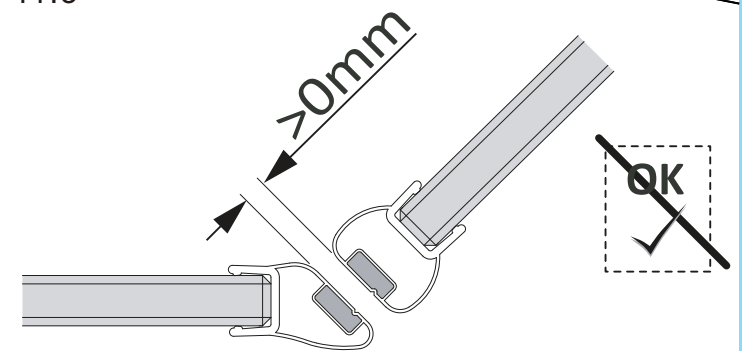
11.2



11.5



11.3



11.4

