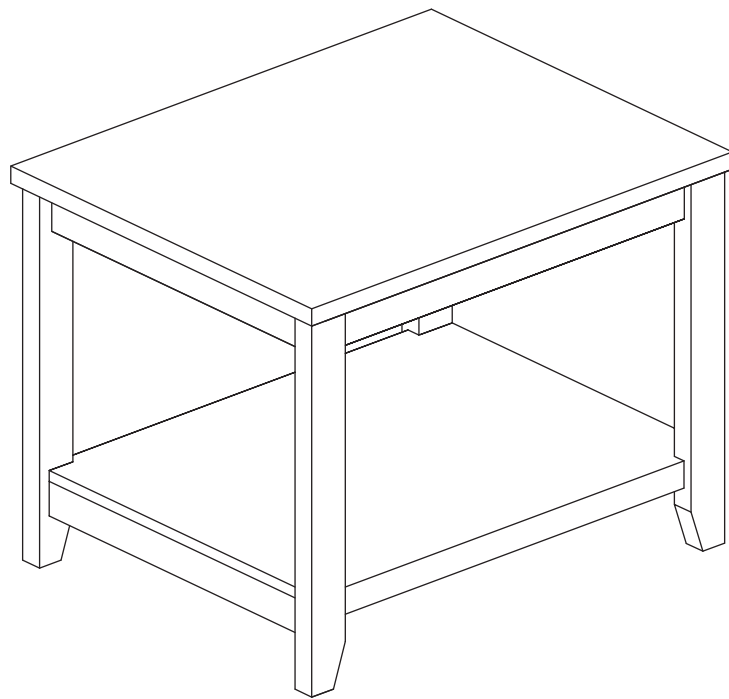


Instruction manual
48CM SIDE TABLE



CONTENTS

Safety and care advice	1
Components	2
Assembly instructions	5
Copyright	7

⚠️ SAFETY AND CARE ADVICE ⚠️

PLEASE READ THESE INSTRUCTIONS CAREFULLY AND KEEP FOR FUTURE REFERENCE

- **Warning:** Please lift with care.
- Check you have all the components and tools listed on pages 2 and 3.
- Remove all fittings from the plastic bags and separate them into their groups.
- Keep children and animals away from the work area, small parts could choke if swallowed.
- Make sure you have enough space to lay out the parts before starting.
- Do not stand or put weight on the product, this could cause damage.
- Assemble the item as close to its final position (in the same room) as possible.

- Assemble on a soft level surface to avoid damaging the unit or your floor (use opened out unit carton).



- We do not recommend the use of power drill/drivers **for inserting screws**, as this could damage the unit. Only use hand screwdrivers.
- Dispose of all packaging carefully and responsibly.

CARE AND MAINTENANCE

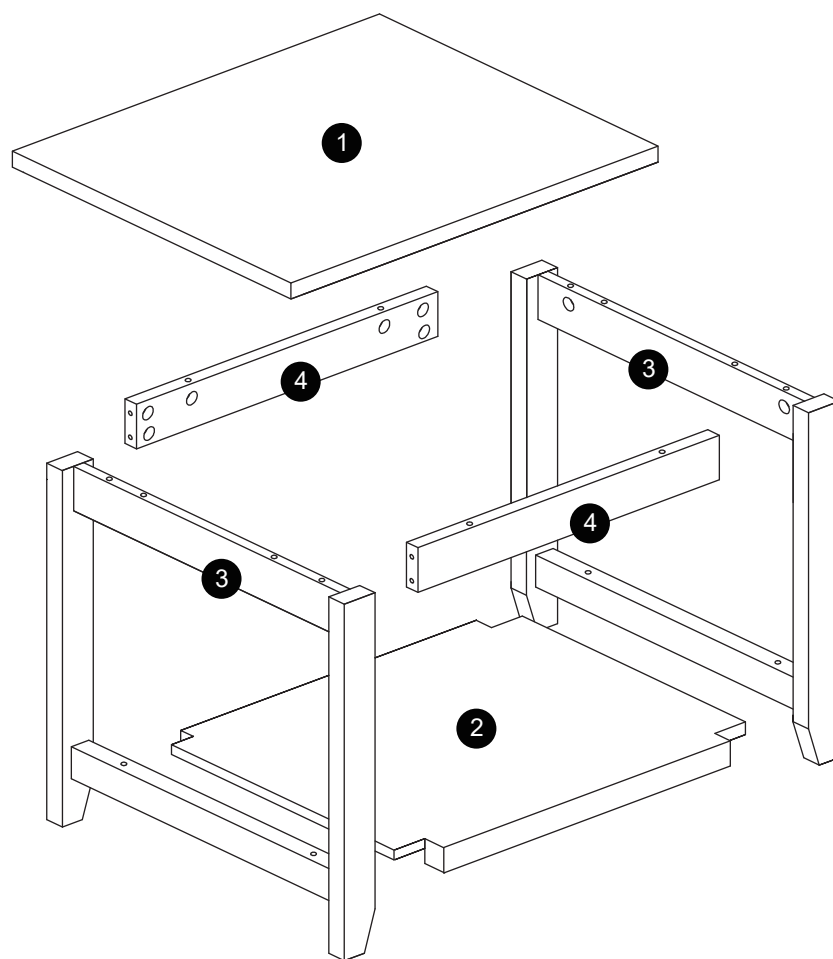
- Only clean using a damp cloth and mild detergent, do not use bleach or abrasive cleaners.
- From time to time check that there are no loose screws on this unit.

- This product should not be discarded with household waste. Take to your local authority waste disposal center.

Note *If required the next page can be cut out and used as reference throughout the assembly. Keep this page with these instructions for future reference.*

COMPONENTS

Ensure the following components are in the box before proceeding with assembly:



PANEL LIST

1	Top Panel	x1	4	Slat	x2
2	Bottom Panel	x1			
3	Side Panel	x2			

COMPONENTS — FITTINGS

Please check you have all the fittings listed below:

A



Peg M6*35mm x16

B



Lock M15*10mm x16

C



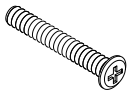
Dowel M6*30mm x4

D



Anti-slip pads x4

E

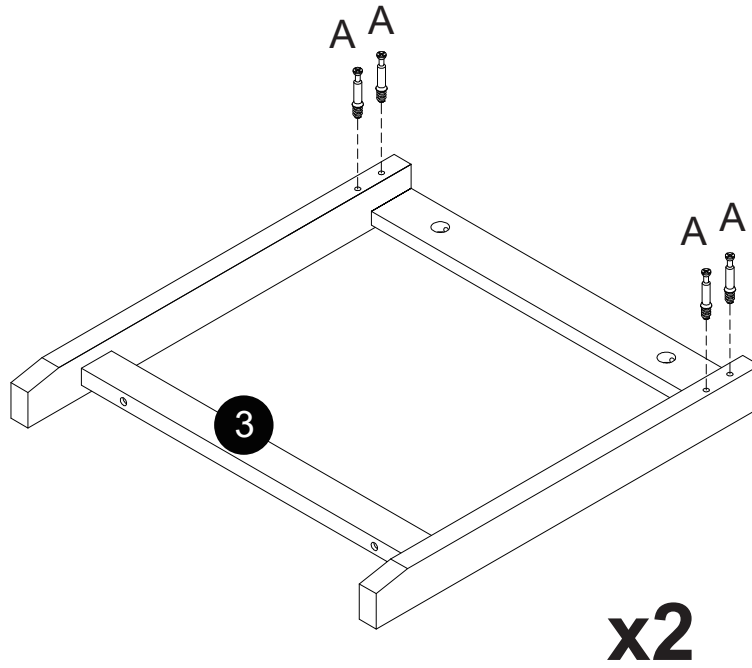


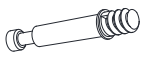
Bolt M6*40mm x4

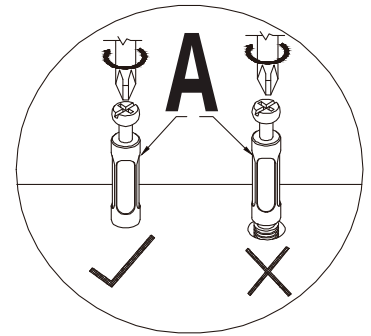


ASSEMBLY INSTRUCTIONS

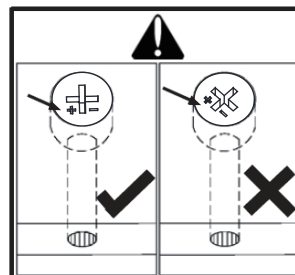
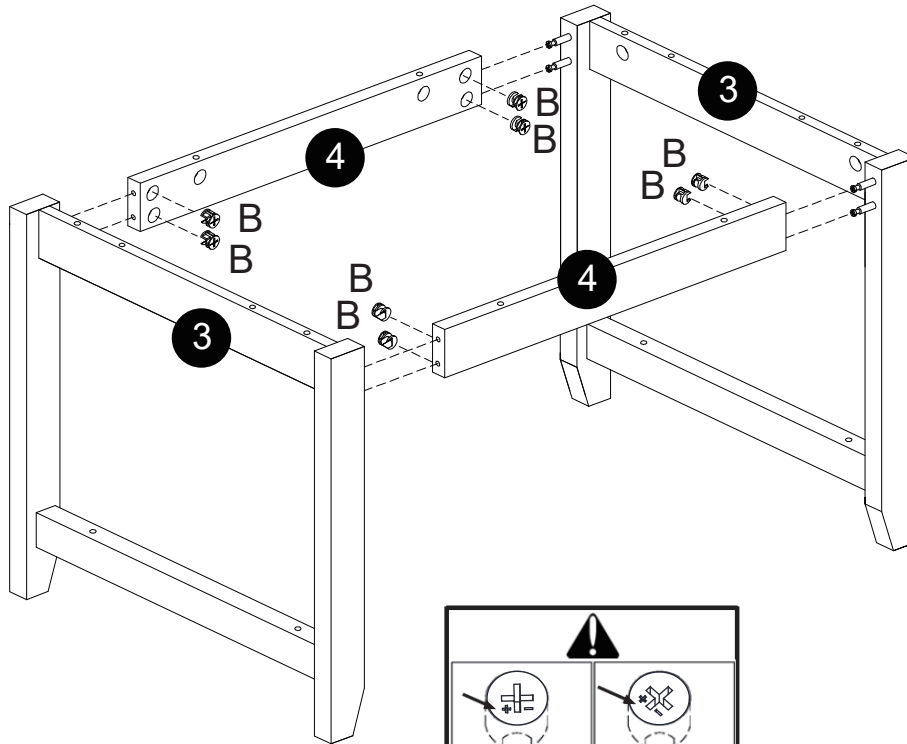
Step 1



A		8
---	---	---



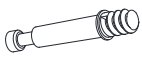
Step 2

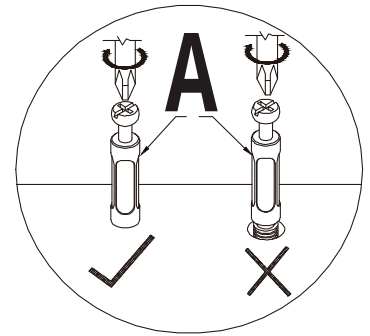
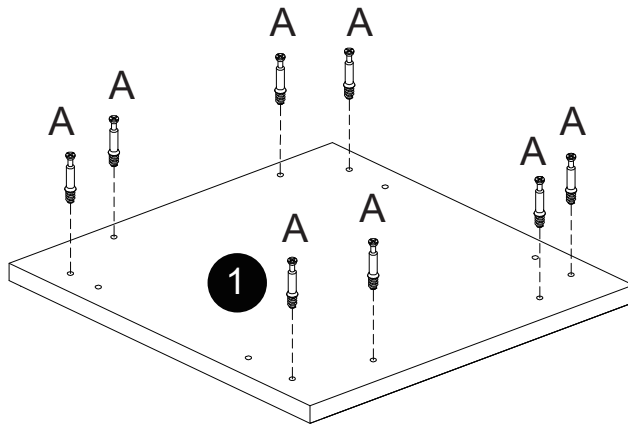


B		8
---	---	---



ASSEMBLY INSTRUCTIONS

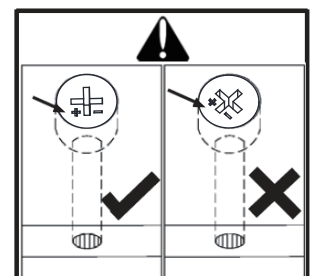
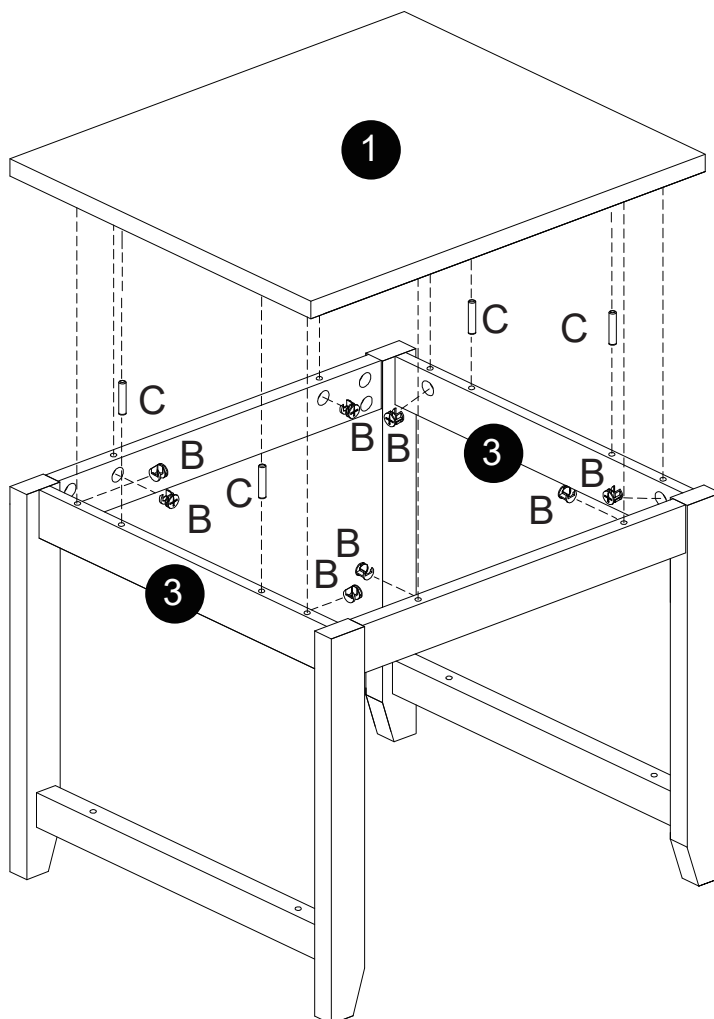
Step 3

A		8
---	---	---



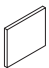

Step 4

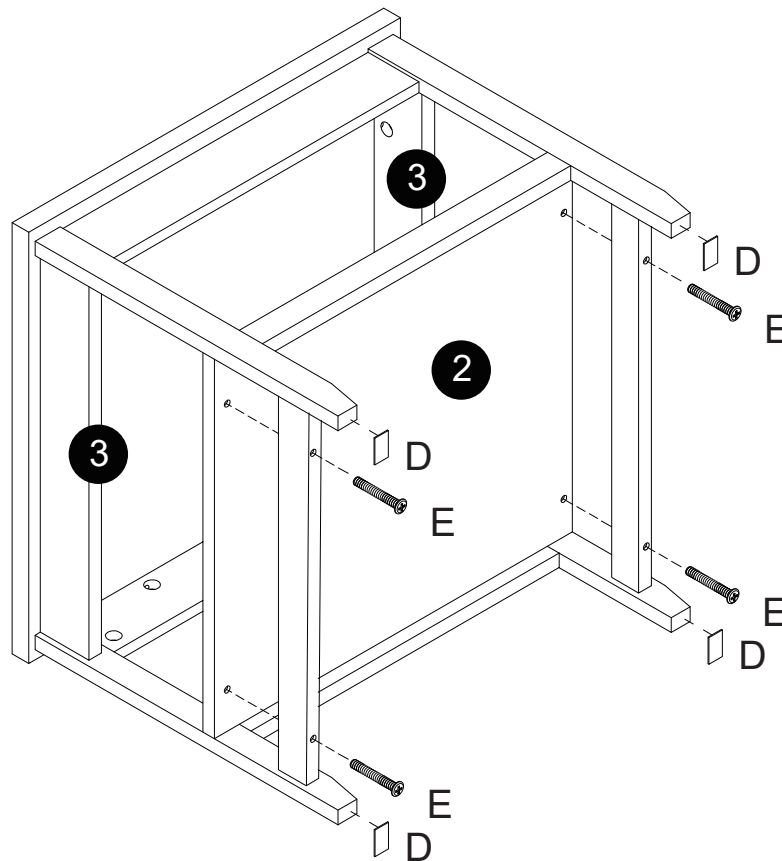
B		8
C		4



ASSEMBLY INSTRUCTIONS

Step 5

D		4
E		4



IF YOU FIND A DEFECTIVE PART

We fully stock all parts and components. Any defective part can be quickly replaced. Take note of the defective part number in manual and we will arrange a replacement.

You can email our team

COPYRIGHT

All material in this instruction manual is copyrighted

Any unauthorised use may violate worldwide copyright, trademark and other laws.