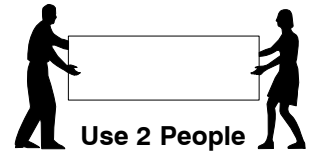
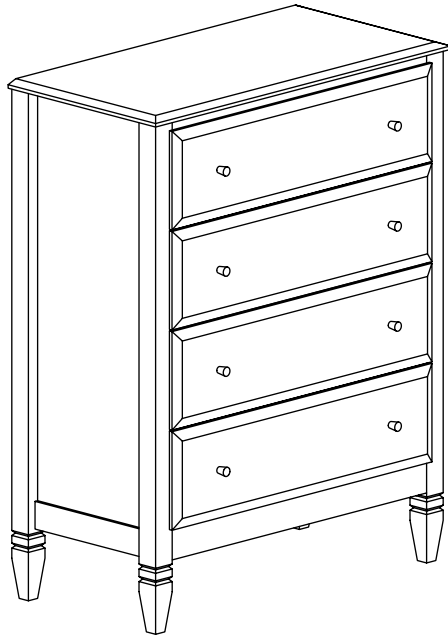


Drawer Chest

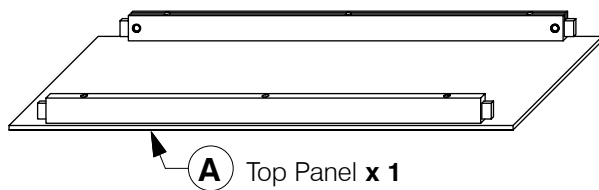
Assembly Instructions



Note: Do not assemble using power tools. This can cause the bolts to be overtightened

1 Parts List

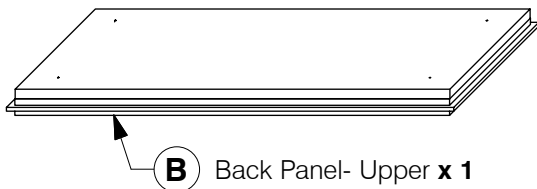
Parts in Box A:



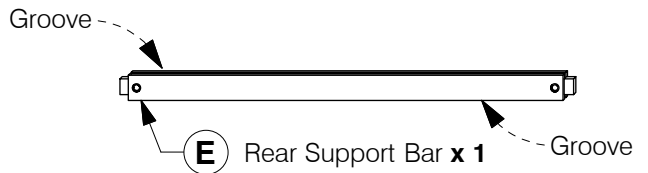
A Top Panel x 1



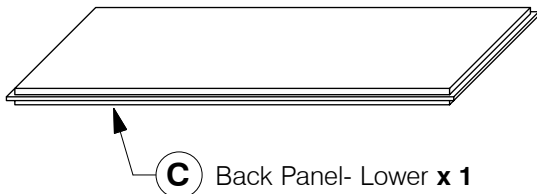
D Front Support Bar x 1



B Back Panel- Upper x 1



E Rear Support Bar x 1



C Back Panel- Lower x 1



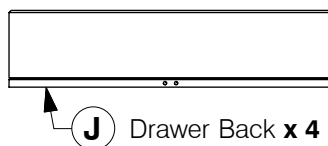
F Bottom Front Support Bar x 1



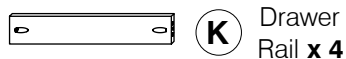
G Bottom Rear Support Bar x 1



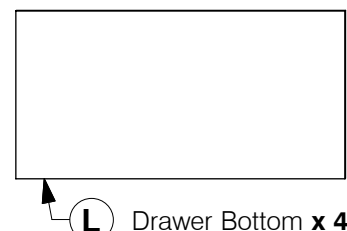
H Drawer Face x 4



J Drawer Back x 4



K Drawer Rail x 4



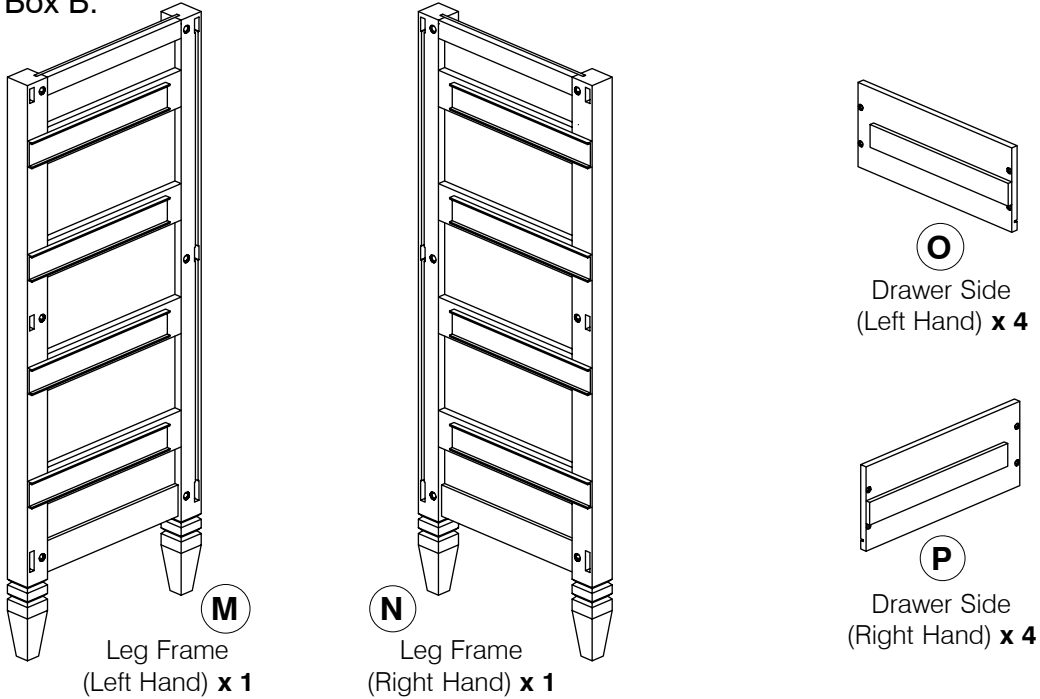
L Drawer Bottom x 4

Drawer Chest

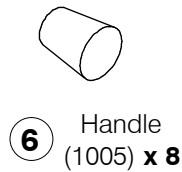
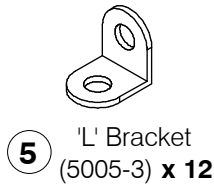
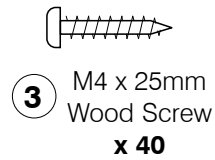
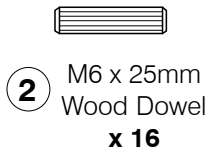
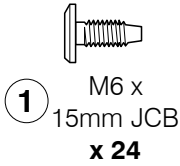
Assembly Instructions

1 Parts List

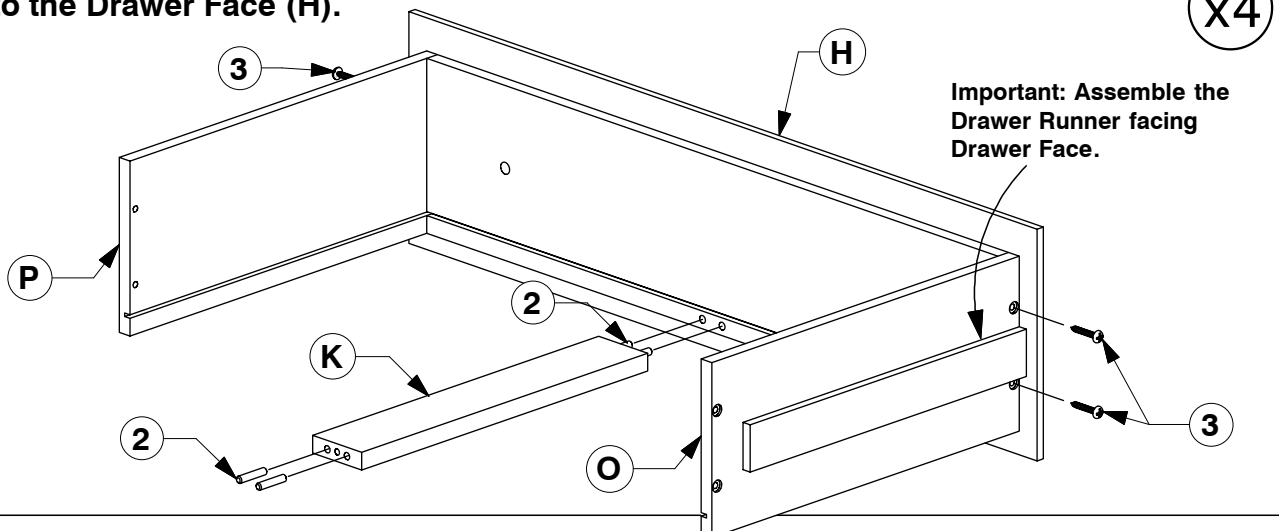
Parts in Box B:



2 Hardware List



3 Assemble the Drawer Sides (O & P) & Drawer Rail (K) to the Drawer Face (H).

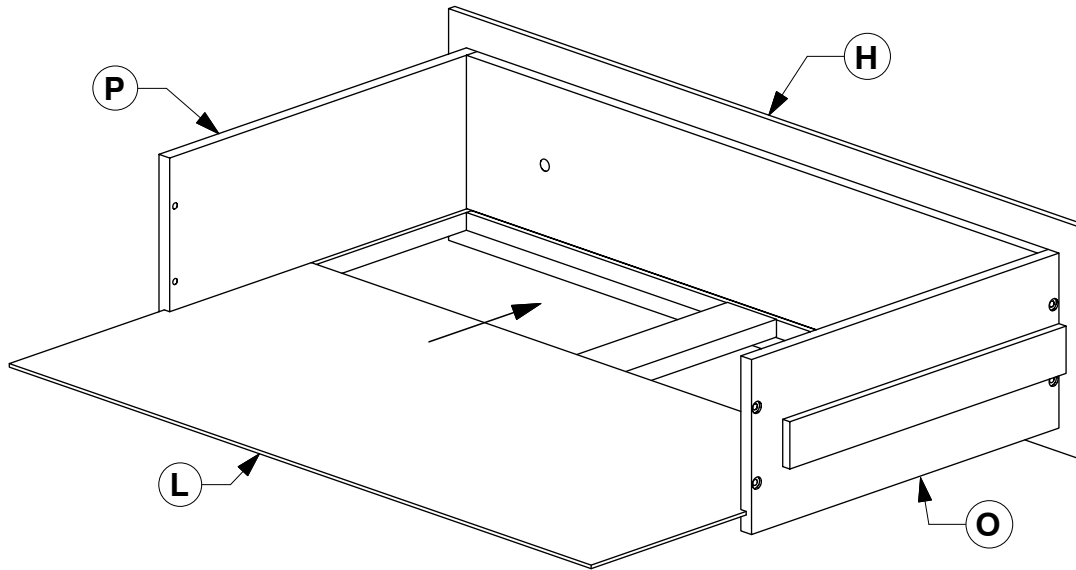


Drawer Chest

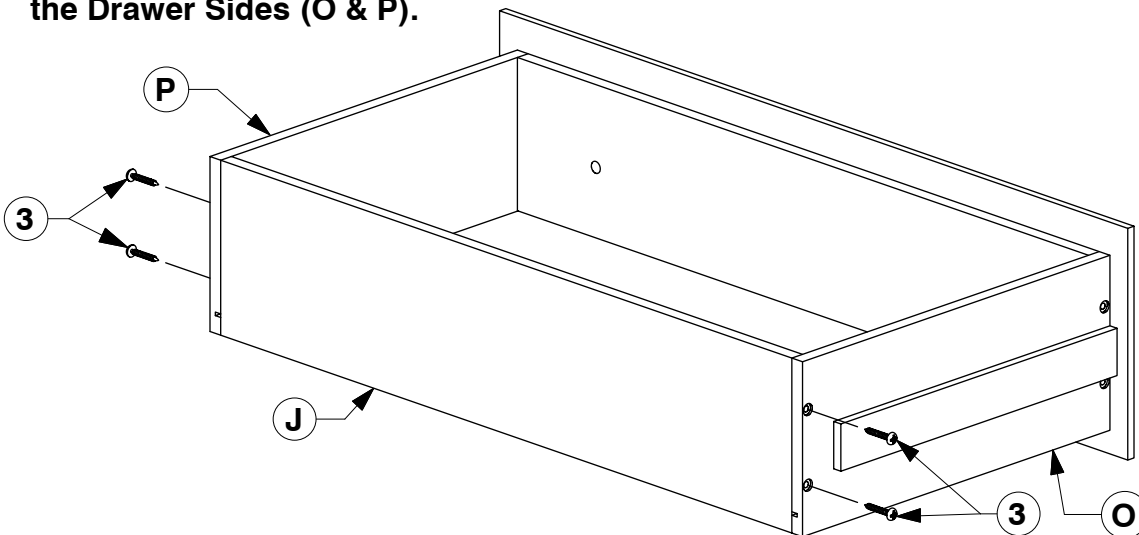
Assembly Instructions

- 4** Slide the Drawer Bottom (L) into the groove on the Drawer Sides (O & P).

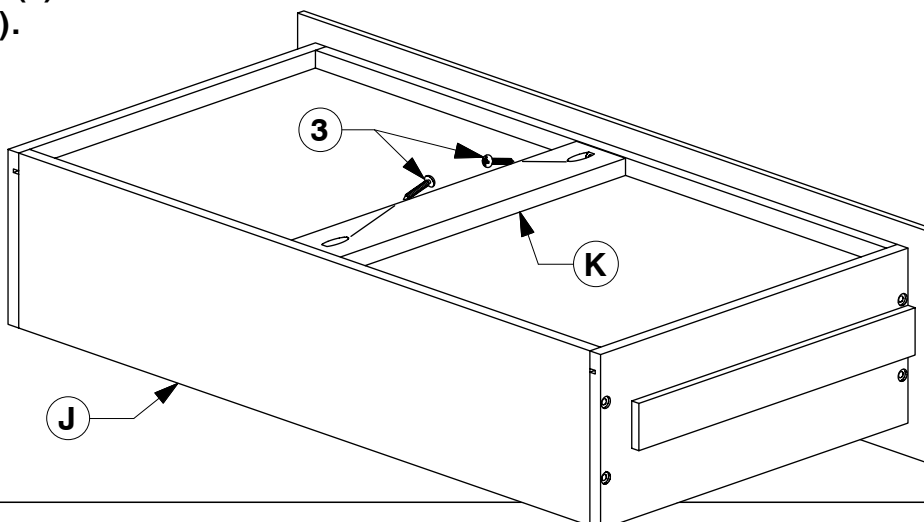
x4



- 5** Assemble the Drawer Back (J) to the Drawer Sides (O & P).



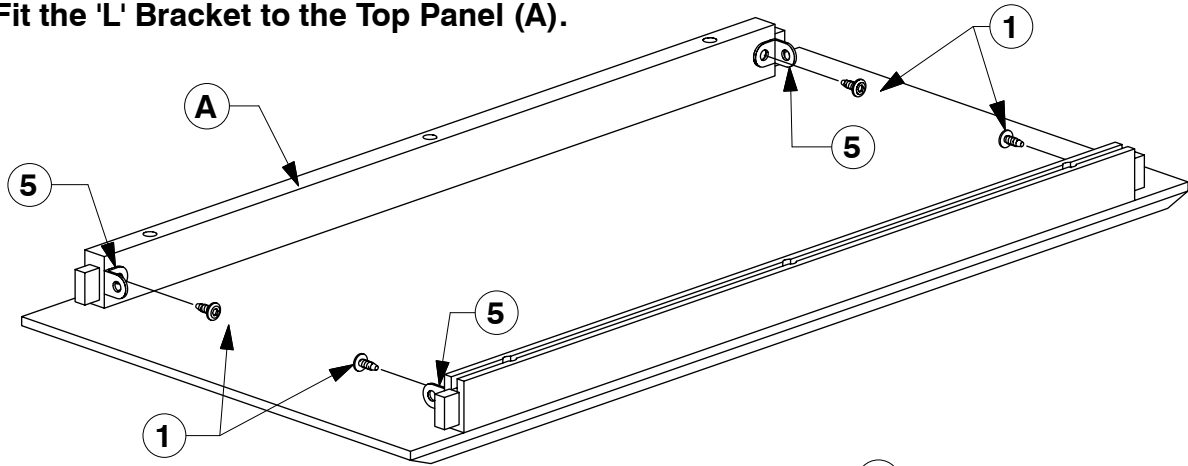
- 6** Turn the Drawer over to fit angled 25mm Wood screws (3) to the Drawer Rail (K).



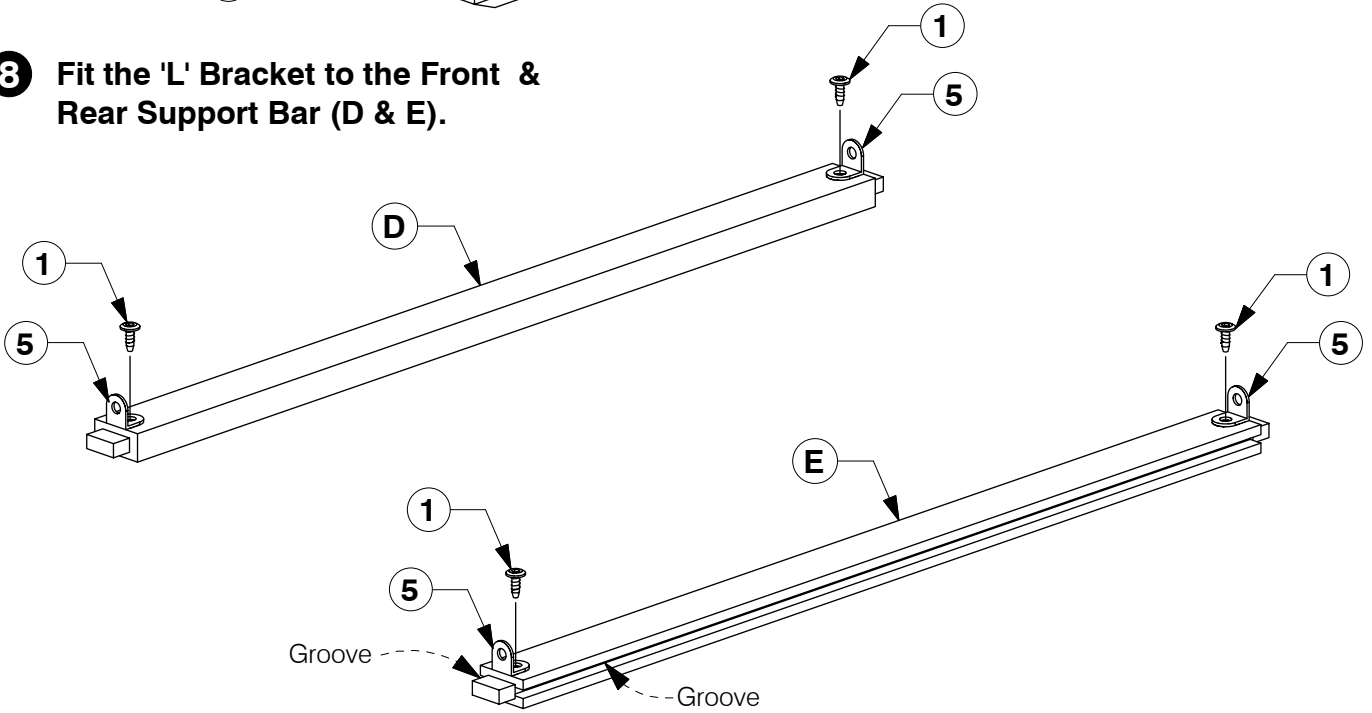
Drawer Chest

Assembly Instructions

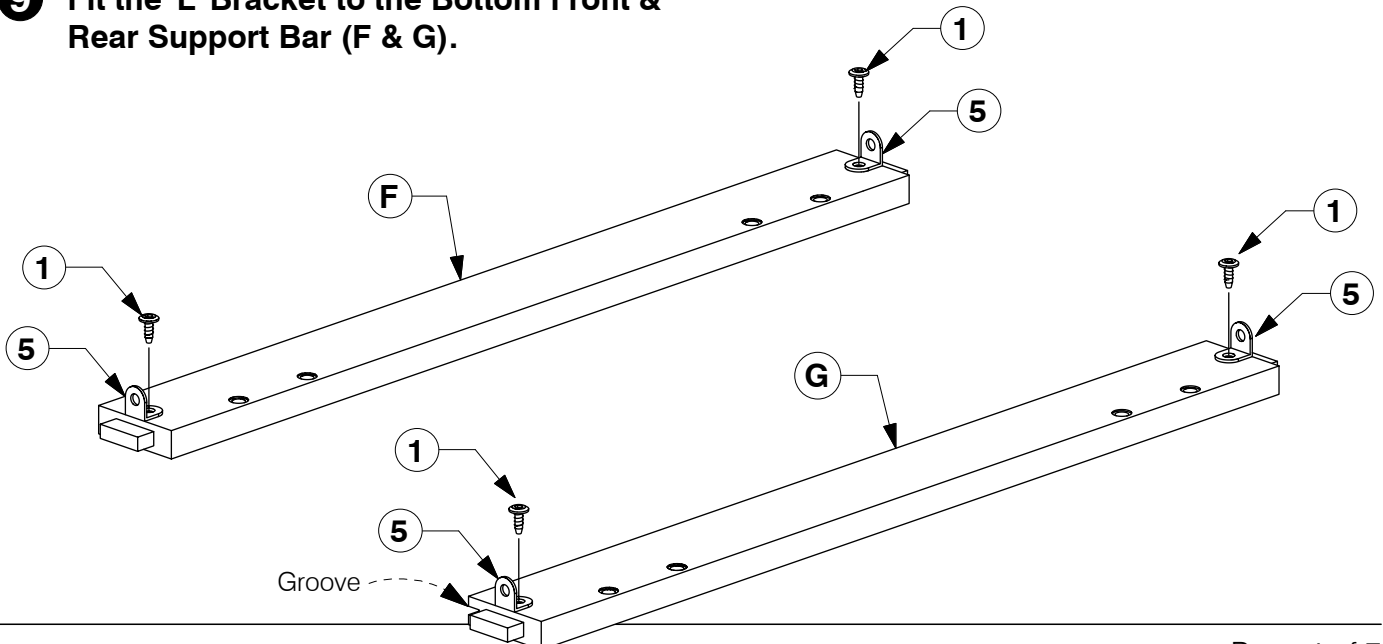
7 Fit the 'L' Bracket to the Top Panel (A).



8 Fit the 'L' Bracket to the Front & Rear Support Bar (D & E).



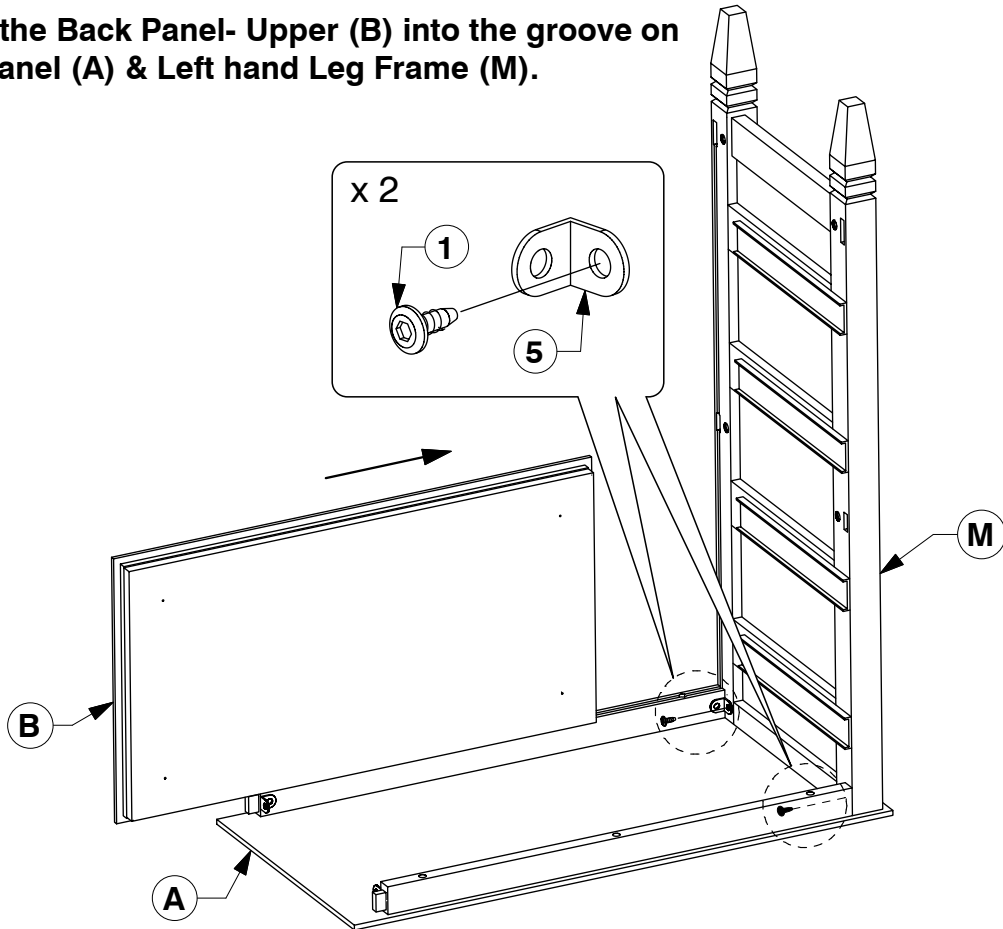
9 Fit the 'L' Bracket to the Bottom Front & Rear Support Bar (F & G).



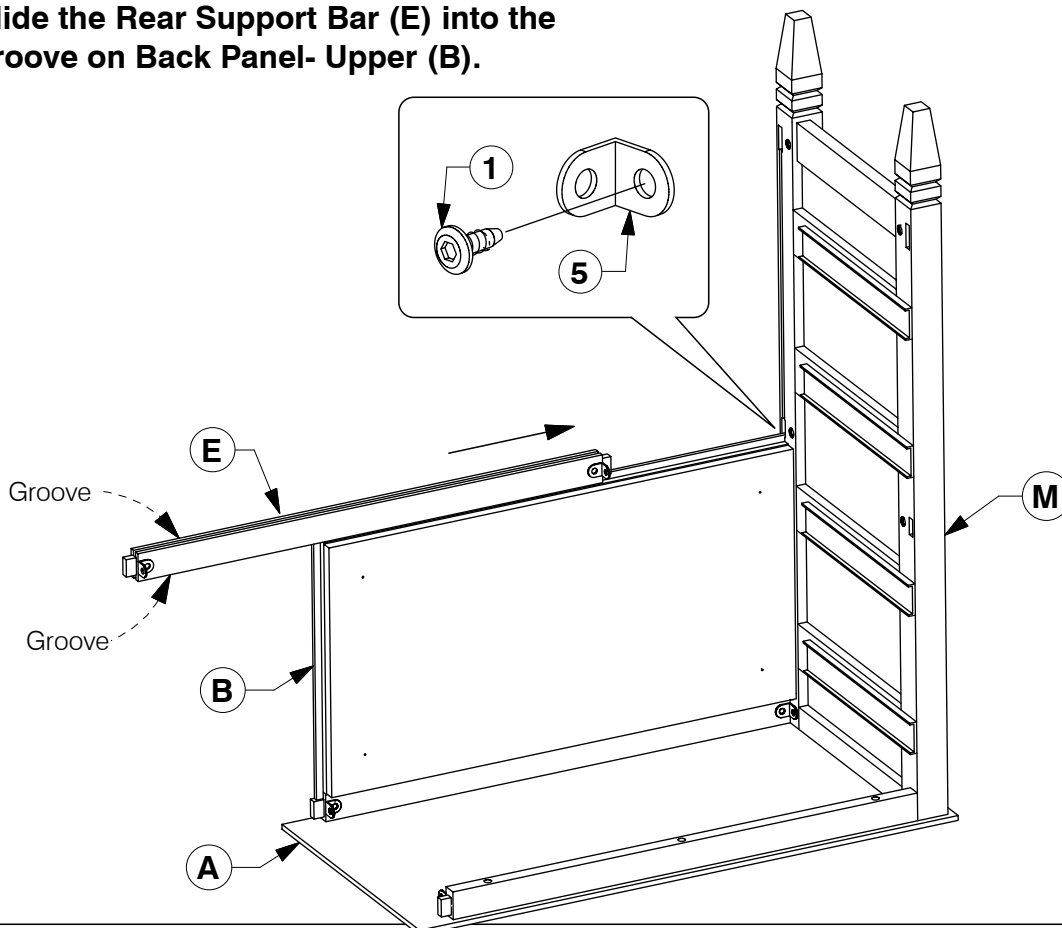
Drawer Chest

Assembly Instructions

- 10** Slide the Back Panel- Upper (B) into the groove on Top Panel (A) & Left hand Leg Frame (M).



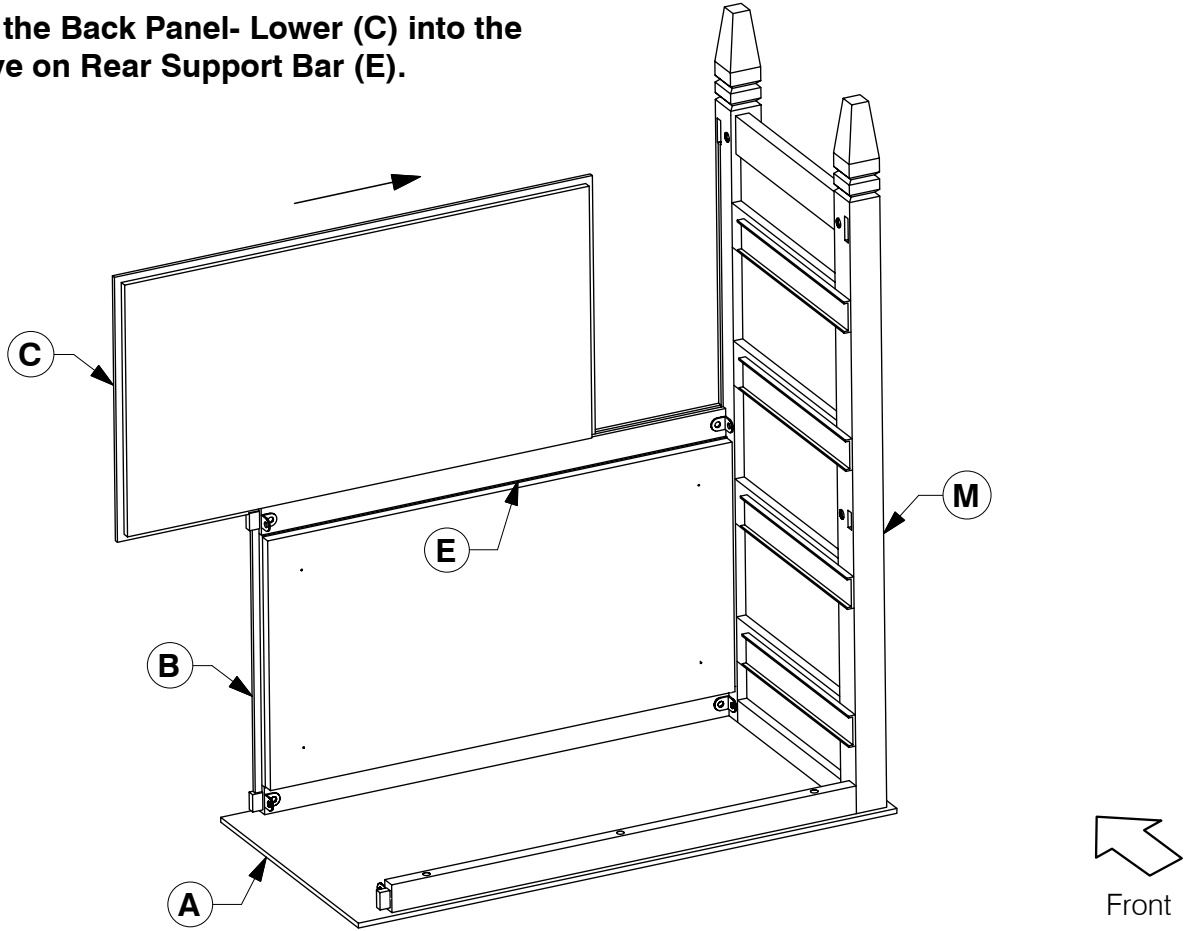
- 11** Slide the Rear Support Bar (E) into the groove on Back Panel- Upper (B).



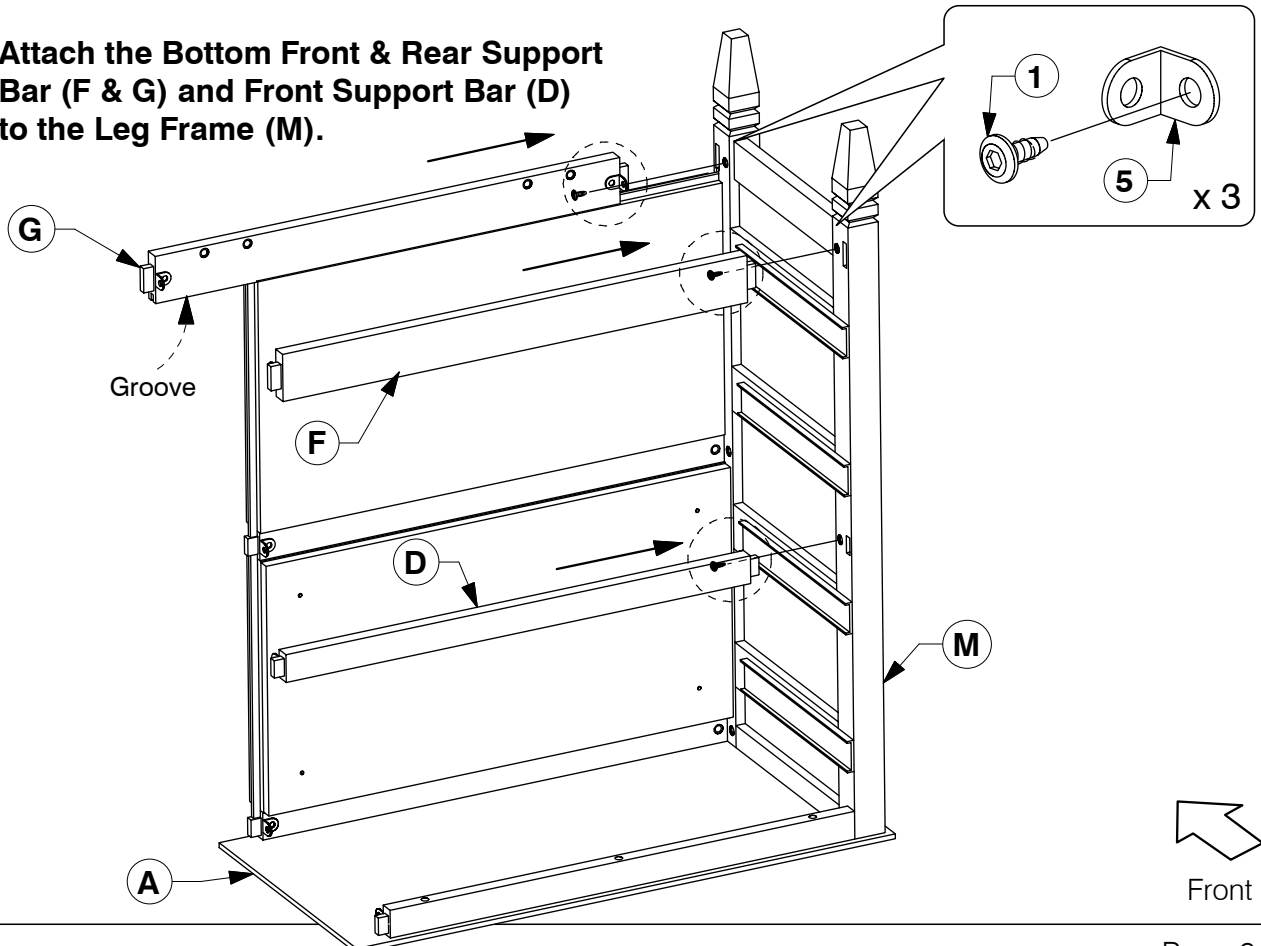
Drawer Chest

Assembly Instructions

- 12** Slide the Back Panel- Lower (C) into the groove on Rear Support Bar (E).



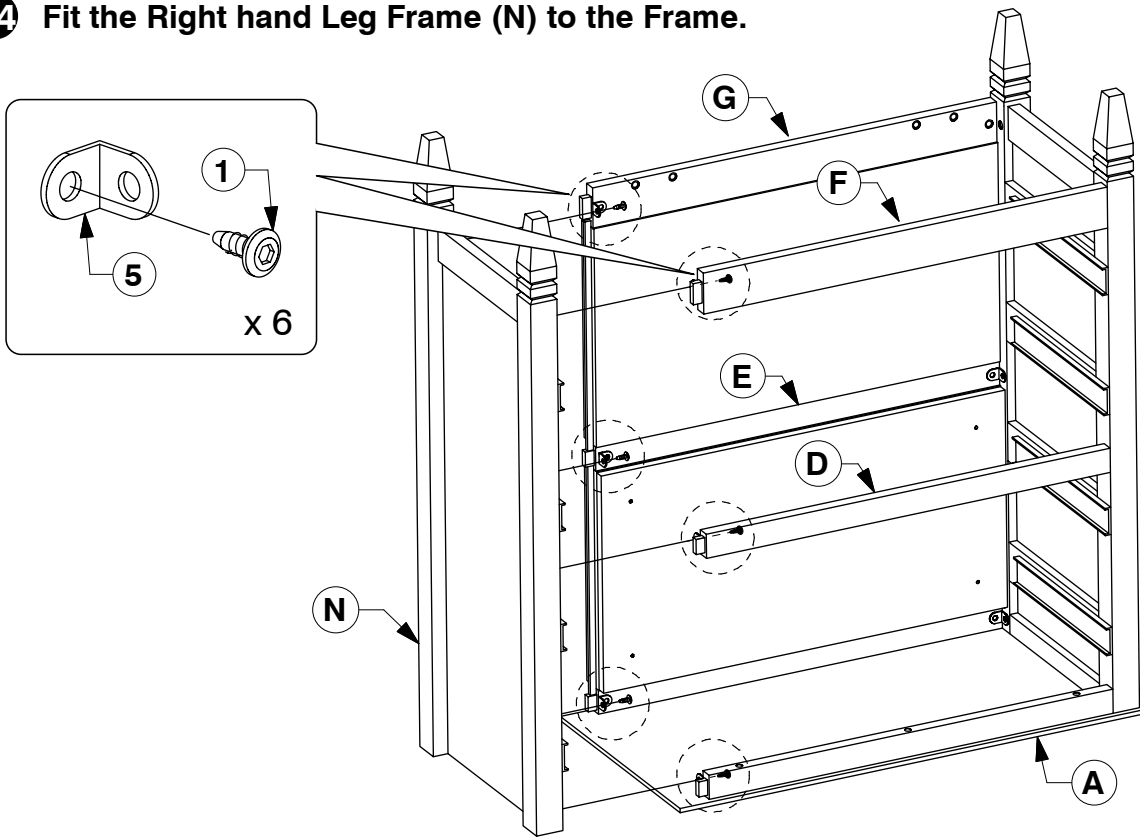
- 13** Attach the Bottom Front & Rear Support Bar (F & G) and Front Support Bar (D) to the Leg Frame (M).



Drawer Chest

Assembly Instructions

- 14** Fit the Right hand Leg Frame (N) to the Frame.



- 15** Fit the Handle to the Drawer face (H).
Finally, fit the assembled Drawer.

