

FuseAUDIO®

Fuse Audio DRM Sleep Machine www.fuseaudio.net



Designed in USA.
Made in China. All rights Reserved. ©

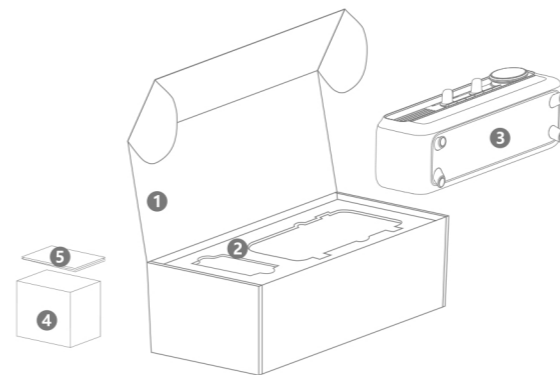
Model: RAD-DRM-1

Technical Specifications

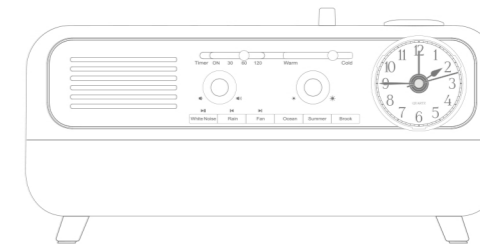
Model	RAD-DRM-1
Dimension	10L * 2.8W* 14.5H in
Weight	≈750g
Power Input	Type-C: 5V/2A Min
LED Color Temperature	2800K-6500K Tunable
Speaker	2in 4Ω 3W
S/N	≥85dB
Operating Temperature	-10°C-35°C
Operating Altitude	≤2000 meters
Output	USB-A: 5V/1A

Package/Accessories

- External Package
- Internal Package
- Machine
- Type-C Cable (USB-A to Type-C)
- User Manual

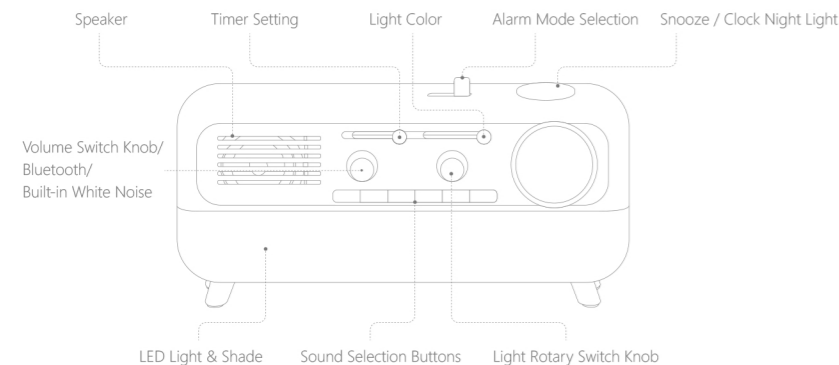


Fuse Audio DRM Sleep Machine

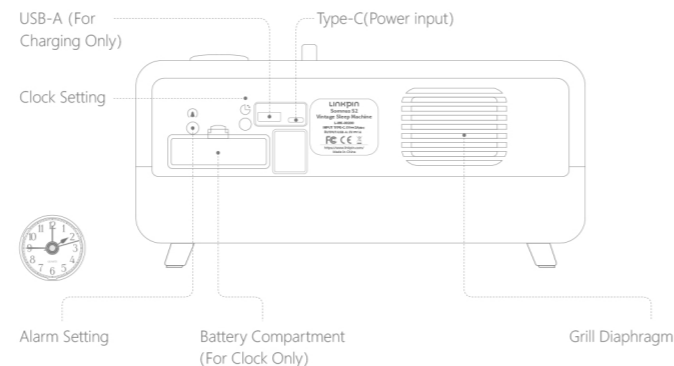


- White noise, natural sounds to aid sleep.
- Sunrise simulation or ringtone wake-up.
- Tunable warm-to-cool white light to help you relax or read.
- Alarm clock with snooze.
- The mobile phone with bluetooth function can be connected to this machine.
- With USB charging port

Machine General View (Front)

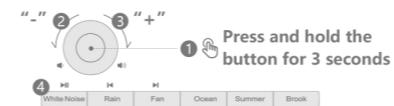


Product General View (Back)

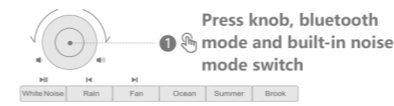


Operation Instruction

Before use, please insert the TYPE-C cable into the TYPE-C port on the back of the device, and then connect the other end to a charger with a USB-A port (minimum DC5V/2A output) for power supply.



1. How to use the sleep sounds



Bluetooth name: Somnus S2
In bluetooth mode: < Previous > Play/Pause < Next



3. How to set a timer



4. How to use the light

Operation Instruction

